

PARTS CATALOGUE



MOTORCYCLES

RJ25AA(FL)

HIPSTER 125 2V



Release Date : 2009/11/25
Print Date : 2010/07/30

ABOUT THIS PARTS LIST

- This parts list is compiled all service parts for model RJ25AA(FL).
- Any difference between color chart and motorcycle will be revised according to motorcycle.
- The Mark:
 1. Marking "***" must add color code in the end before ordering parts.
 2. Marking "#" are parts with modification, Please find the details from e-Parts system.
- When modification or additions to this parts list are made a revised edition at an appropriate time.

CONTENTS

● ABOUT THIS PARTS LIST	1
● COLOR CHART OF RJ25AA(FL)	3
● CONTENTS-ENGINE GROUP	7
● CONTENTS-FRAME GROUP	9
● ENGINE PARTS LIST	12
● FRAME PARTS LIST	48
● PART NO. INDEX	122

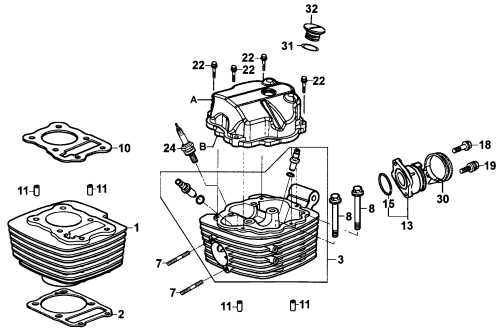
NO	MODEL			COLOR CHART OF RJ25AA(FL)			
	PHOTO NO			NO. 1	NO. 2	NO. 3	NO. 4
	BASIC COLOR			Black Blue	Black Blue	Dark Red	Dark Red
	CODE			Black Blue	Black Blue	Dark Red	Dark Red
	PARTS NAME	PARTS NO.	VERSION	PB184PB	PB184PA	RR132CB	RR132CA
1	FENDER SET FR	61100-KKA8-900	3	BJP		R7M	
2	FENDER R REAR	80105-KKA8-900	1				
3	TANK COMP FUEL	17500-KKA7-E00	2	BJS		R7S	
4	COVER SET A R SIDE	83540-KKA8-900	1	D0Z		D10	
5	COVER SET A L SIDE	83640-KKA8-900	1				
6	FORK COMP REAR	52110-KKA8-900	2	M2S			
7	LEVER R STRG HNDL	53175-KKA8-900	0	M3A			
8	LEVER L STRG HNDL	53178-KKA8-900	1				
9	COVER TANK CENTER	17700-KKA8-900	2	N8P			
10	COWL CENTER	17710-KKA8-900	0				
11	COVER R TANK LOW	17720-KKA8-900	1				
12	COVER L TANK LOW	17730-KKA8-900	1				
13	COVER METER	37310-KKA8-900	0				
14	GRIP SIDE COMP	81200-KKA8-900	0				
15	COVER COMP R CRANK	11330-KEC2-900	2	NJA			
16	COVER LEFT CRANK	11341-KEC2-900	5				
17	WHEEL SET REAR	42600-KEC2-305	1				
18	HUB COMP REAR	42601-KEC2-900	0				
19	PANEL ASSY REAR	43000-KKAK-901	0				
20	PANEL COMP REAR	43100-KGG7-832	1				
21	HUB FRONT WHEEL	44601-KGG7-901	1				
22	CALIPER ASSY FR R	45200-KKAK-900	7				
23	FORK ASSY R FRONT	51400-KEC2-E00	2				
24	FORK ASSY L FRONT	51500-KEC2-E00	2				
25	EMB SIDE COVER	86304-KKB5-E00	1	T01			
DATE OF STARTING-SALES							
DATE OF END-SALES							

NO	MODEL			COLOR CHART OF RJ25AA(FL)			
	PHOTO NO			NO. 5	NO. 6		
	BASIC COLOR			Yellow Pearly	Yellow Pearly		
	CODE			Yellow Pearly	Yellow Pearly		
	PARTS NAME	PARTS NO.	VERSION	YR035PB	YR035PA		
1	FENDER SET FR	61100-KKA8-900	3	Y2P			
2	FENDER R REAR	80105-KKA8-900	1				
3	TANK COMP FUEL	17500-KKA7-E00	2	Y2S			
4	COVER SET A R SIDE	83540-KKA8-900	1	Y2P			
5	COVER SET A L SIDE	83640-KKA8-900	1				
6	FORK COMP REAR	52110-KKA8-900	2	M2S			
7	LEVER R STRG HNDL	53175-KKA8-900	0	M3A			
8	LEVER L STRG HNDL	53178-KKA8-900	1				
9	COVER TANK CENTER	17700-KKA8-900	2	RFP			
10	COWL CENTER	17710-KKA8-900	0				
11	COVER R TANK LOW	17720-KKA8-900	1				
12	COVER L TANK LOW	17730-KKA8-900	1				
13	COVER METER	37310-KKA8-900	0				
14	GRIP SIDE COMP	81200-KKA8-900	0				
15	COVER COMP R CRANK	11330-KEC2-900	2	NJA			
16	COVER LEFT CRANK	11341-KEC2-900	5				
17	WHEEL SET REAR	42600-KEC2-305	1				
18	HUB COMP REAR	42601-KEC2-900	0				
19	PANEL ASSY REAR	43000-KKAK-901	0				
20	PANEL COMP REAR	43100-KGG7-832	1				
21	HUB FRONT WHEEL	44601-KGG7-901	1				
22	CALIPER ASSY FR R	45200-KKAK-900	7				
23	FORK ASSY R FRONT	51400-KEC2-E00	2				
24	FORK ASSY L FRONT	51500-KEC2-E00	2				
25	EMB SIDE COVER	86304-KKB5-E00	1	T01			
DATE OF STARTING-SALES							
DATE OF END-SALES							

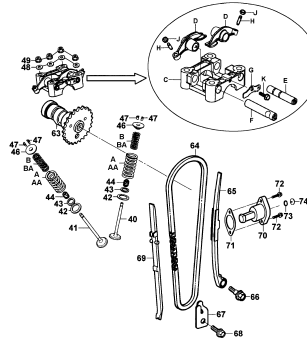
NO	MODEL			COLOR CHART OF RJ25AA(FL)			
	PHOTO NO			NO. 5	NO. 6		
	BASIC COLOR			Yellow Pearly	Yellow Pearly		
	CODE			Yellow Pearly	Yellow Pearly		
	PARTS NAME	PARTS NO.	VERSION	YR035PB	YR035PA		
26	CAUTION ANTI	87224-KKB5-E00	0	T01			
27	CAUTION USE GAS	87501-KRDR-E00	2				
28	MARK TIRE CAUTION	87505-KKAK-Q00	0				
29	MARK ACV CAUTION	87507-KEC8-E00	0				
30	MARK AIR CLEANER	87508-KGG7-E00	1				
31	LABEL HELMET	87511-KKAK-Q00	1				
32	MARK KYMCO	87531-KKAK-900	2				
33	SEAT COMP	77200-KKA8-900	0	T02			
34	SEAT ASSY REAR	77210-KKA7-E00	6				
35	STRIPE FUEL TANK	86203-KKB5-E00	0		T02		
36	DISK FRONT BRAKE	45121-KKA8-900	0	YAA			
37	EMB ASSY R FUEL	8622A-KKB5-E00	1	T01			
38	EMB ASSY L FUEL TANK	8624A-KKB5-E00	0				
DATE OF STARTING-SALES							
DATE OF END-SALES							

CONTENTS - ENGINE GROUP

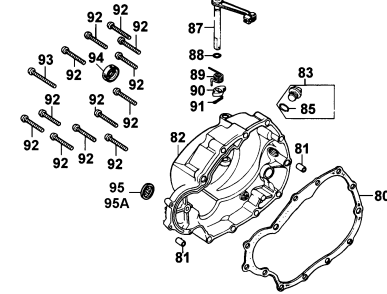
E01 CylinderCylinder Head



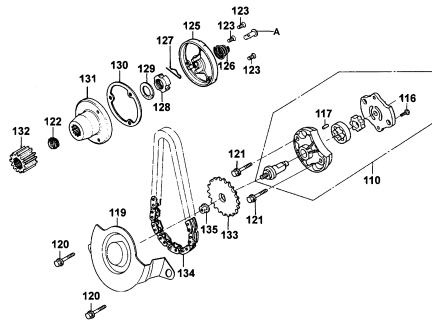
E02 CamshaftValve



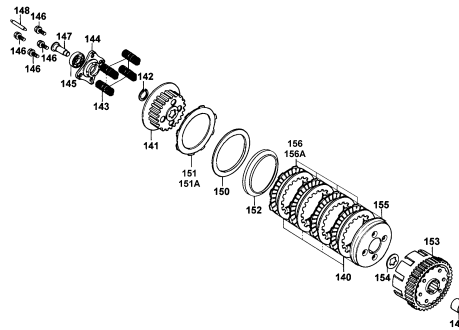
E03 Right Crankcase cover



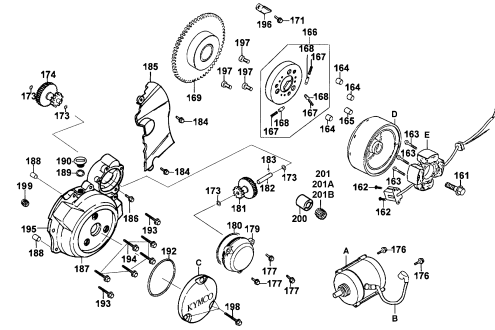
E04 Oil Pump



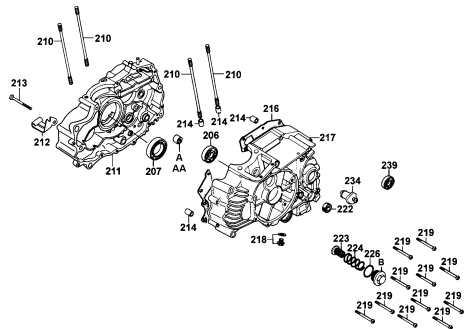
E05 Clutch



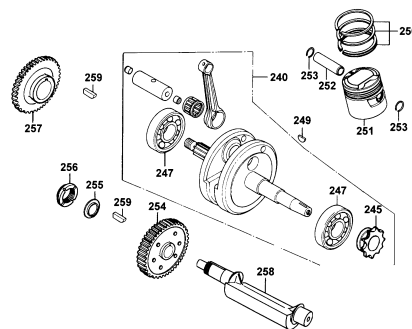
E06 GeneratorStarting Motor



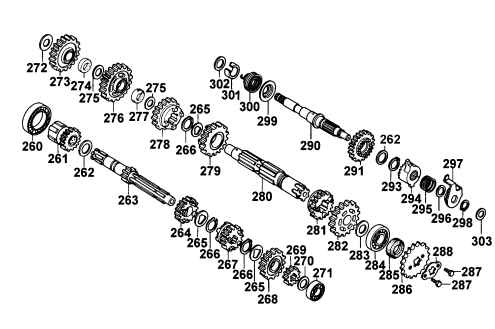
E07 Crankcase



E08 CrankshaftPiston

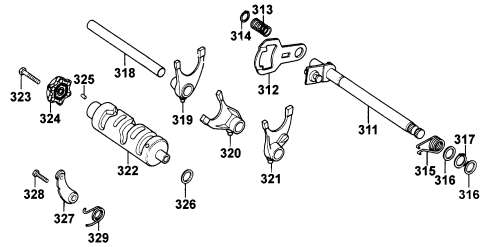


E09 TransmissionKick Starter

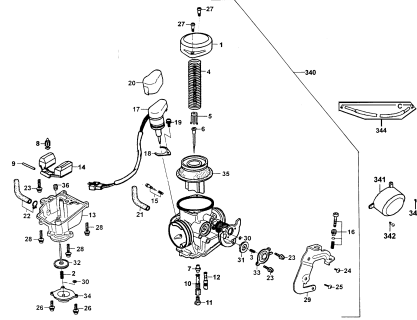


CONTENTS - ENGINE GROUP

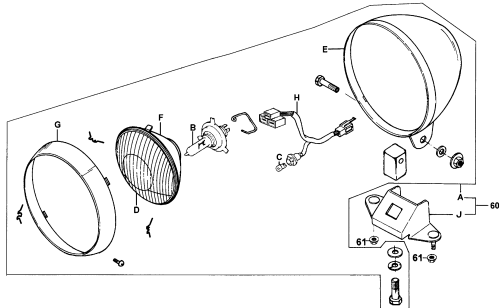
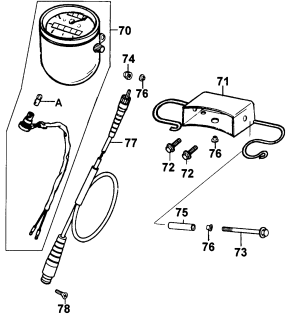
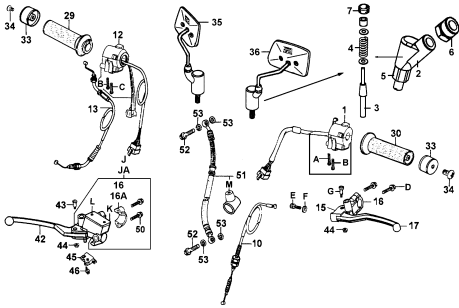
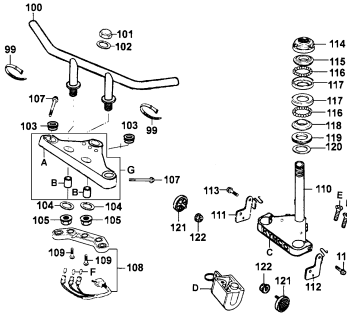
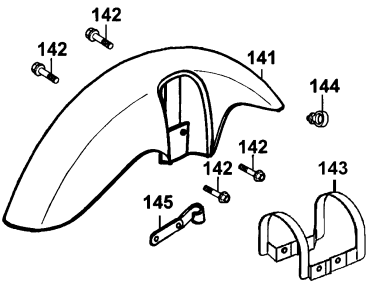
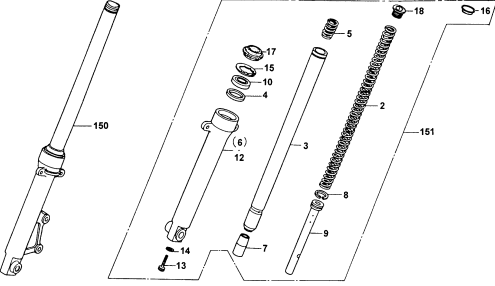
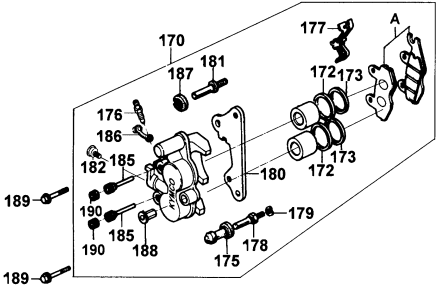
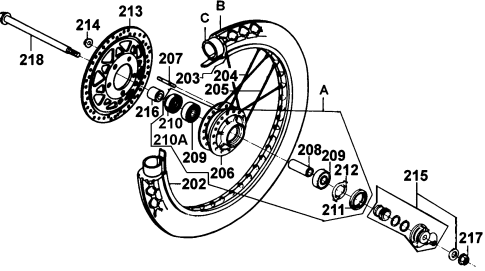
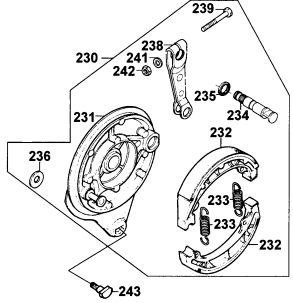
E10 Gearshift Drum Gearshift



E11 Carburetor

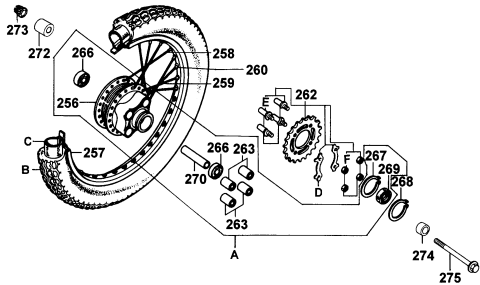


CONTENTS - FRAME GROUP

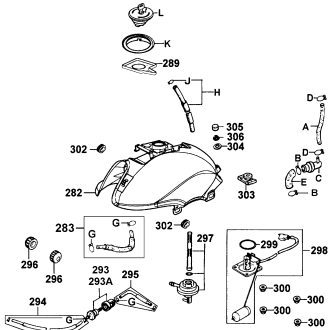
<p>F01 Head Light</p>	<p>F02 Speedometer</p>	<p>F03 CableSwitchLever Strg Hndl</p>
		
<p>F04 Steering HandleStem</p>	<p>F05 Front Fender</p>	<p>F06 Front Fork</p>
		
<p>F07 Front Caliper</p>	<p>F08 Front Wheel</p>	<p>F09 Rear Brake Panel</p>
		

CONTENTS - FRAME GROUP

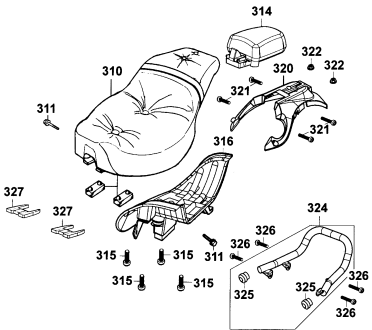
F10 Rear Wheel



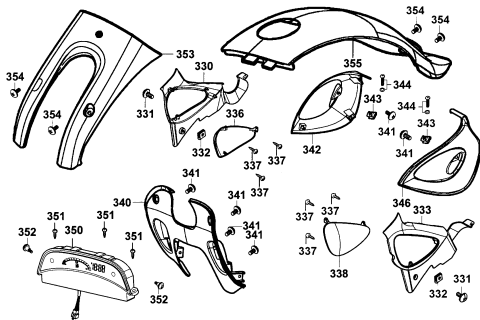
F11 Fuel Tank



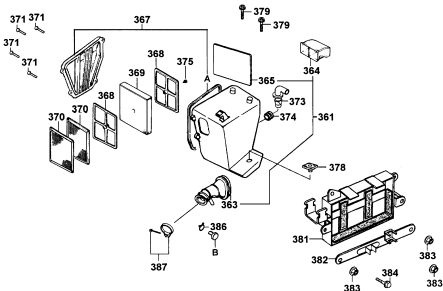
F12 Seat



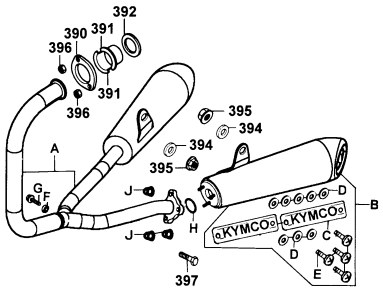
F13 Side Cover



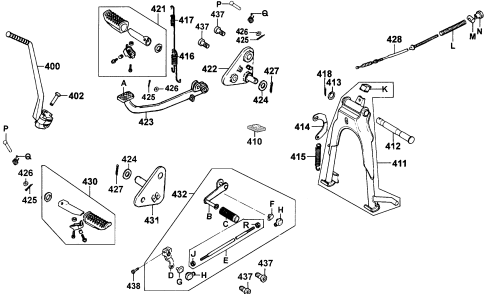
F14 Air Cleaner



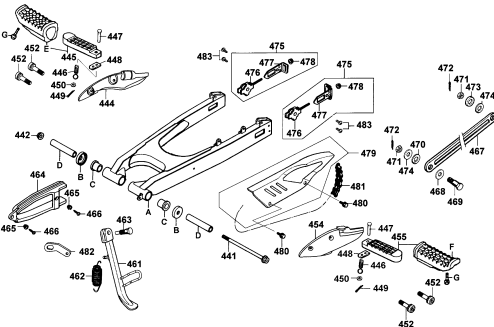
F15 Exhaust Muffler



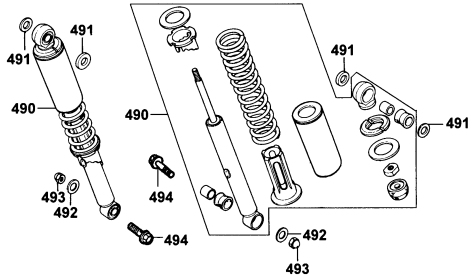
F16 PedalStand



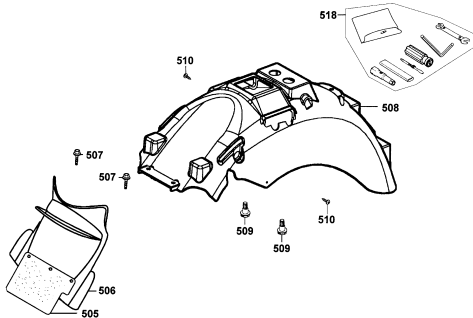
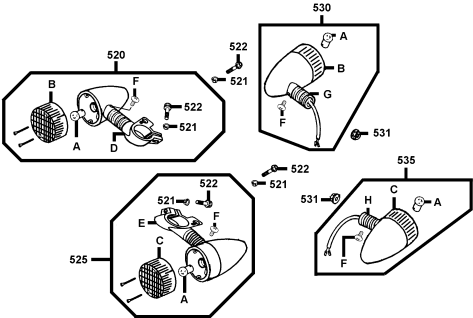
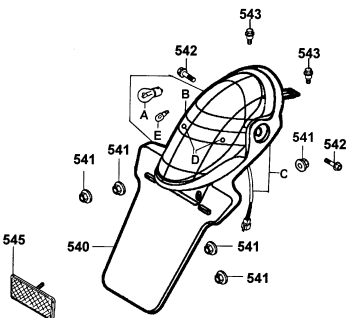
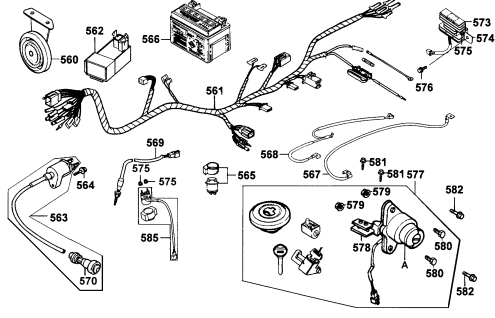
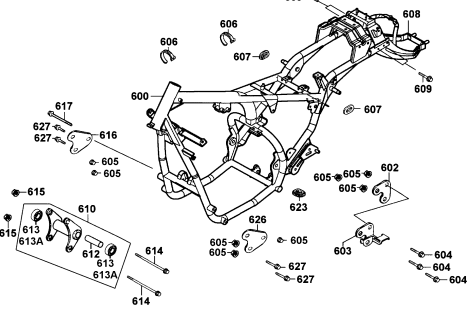
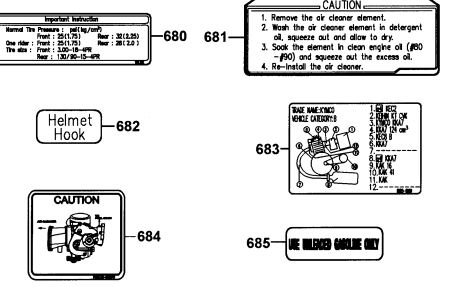
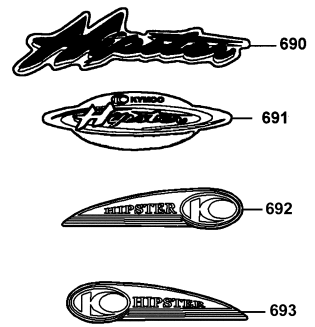

F17 Rear ForkStepChain Case



F18 Rear Cushion

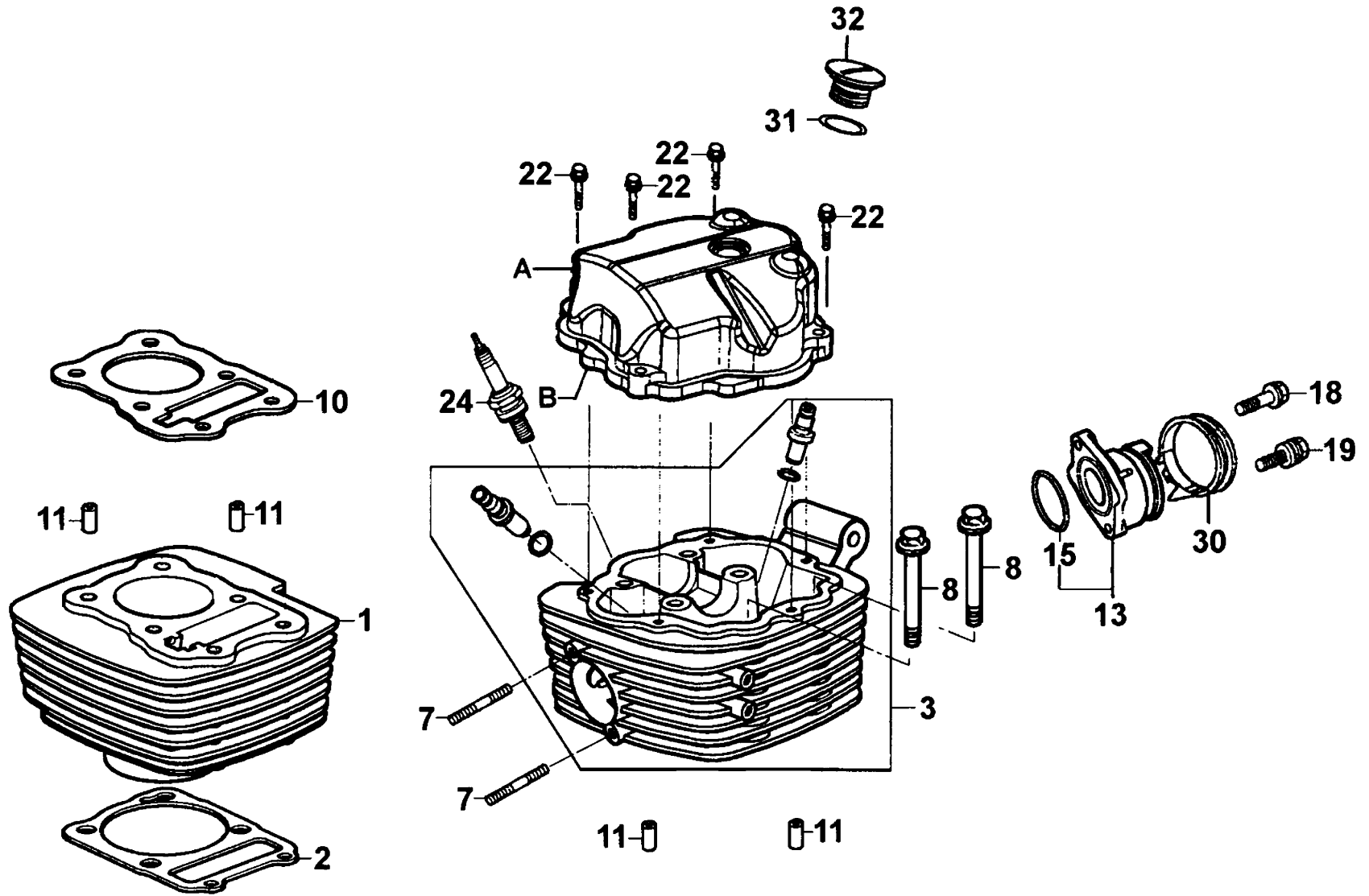


CONTENTS - FRAME GROUP

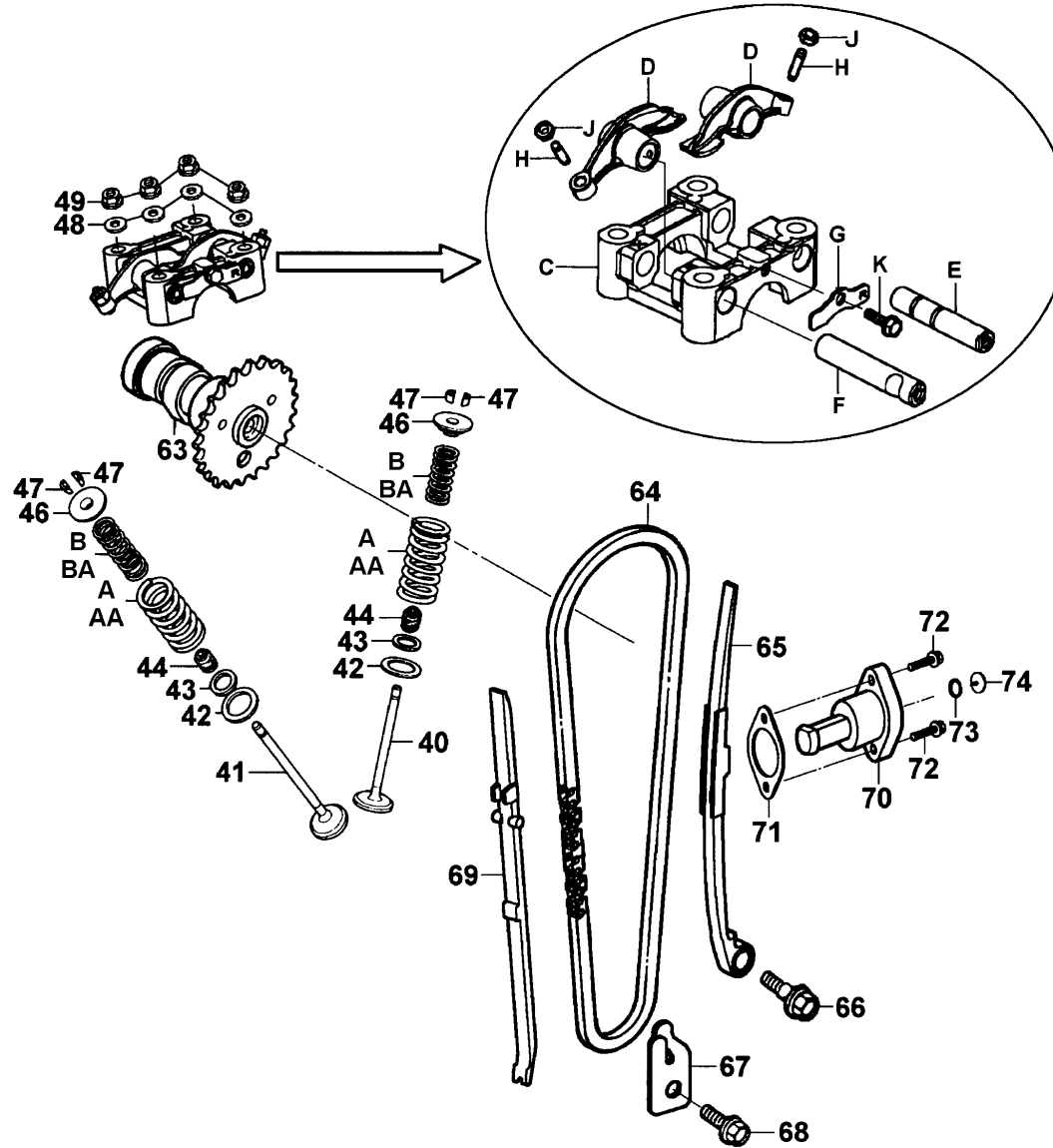
<p>F19 Rear Fender</p> 	<p>F20 Winker</p> 	<p>F21 Tail Light</p> 
<p>F22 Wire Harness</p> 	<p>F23 Frame Body</p> 	<p>F24 Caution Label</p> 
<p>F25 Stripe</p> 	<p>F26 Key</p> 	

E01

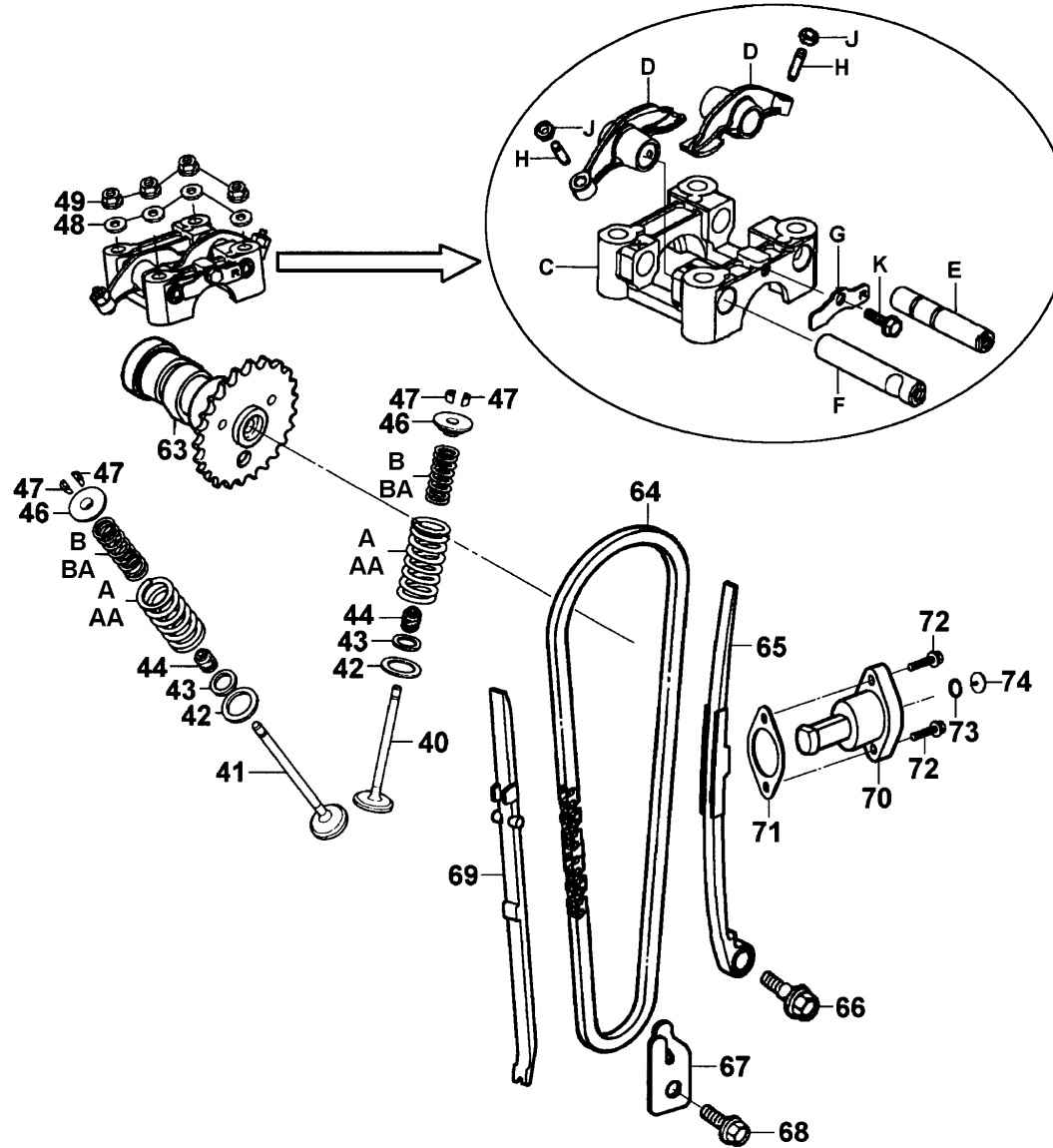
CylinderCylinder Head



Sales mark	Ref no	Part no	Description	Reg description	Regd no	E01
1		12100-KKA7-900	CYLINDER COMP	CYLINDER COMP	1	
2		12191-LLB1-900	GASKET CYLINDER	GASKET CYLINDER	1	
3		12200-KHC6-C00	HEAD COMP CYLINDER	HEAD COMP CYLINDER	1	
10		12251-KEC8-900	GASKET CYLINDER HEAD	GASKET CYLINDER HEAD	1	
A		12310-KHC6-C10	COVER CYLINDER HEAD	COVER CYLINDER HEAD	1	
B		12391-KEC8-900	PACKING CYLINDER HEAD	PACKING CYLINDER HEAD	1	
13		1621A-KKA7-E00	INSULATOR CARB ASSY	INSULATOR CARB ASSY	1	
30		17256-GFY6-901	BAND INSULATOR	BAND INSULATOR	1	
32		90084-4H28-001	CAP ACG	CAP ACG	1	
15		91302-2L00-001	O-RING 33.5*3	O-RING 33.5*3	1	
31		91303-3G77-001	O-RING 13.8*2.5	O-RING 13.8*2.5	1	
7		92700-06035-3E	BOLT STUD 6*35	BOLT STUD 6*35	2	
11		94301-10160	DOWEL PIN 10*16	DOWEL PIN 10*16	4	
22		95701-06028-08	BOLT FLANGE 6*28	BOLT FLANGE 6*28	4	
19		95701-KLLL-E00	BOLT TORQUE 6*16	BOLT TORQUE 6*16	1	
18		96001-06016-08	BOLT FLANGE SH 6*16	BOLT FLANGE SH 6*16	1	
8		96001-06110-08	BOLT FLANGE SH 6*110	BOLT FLANGE SH 6*110	2	
24		98069-5771R	SPARK PLUG (DR-8EA)	SPARK PLUG (DR-8EA)	1	



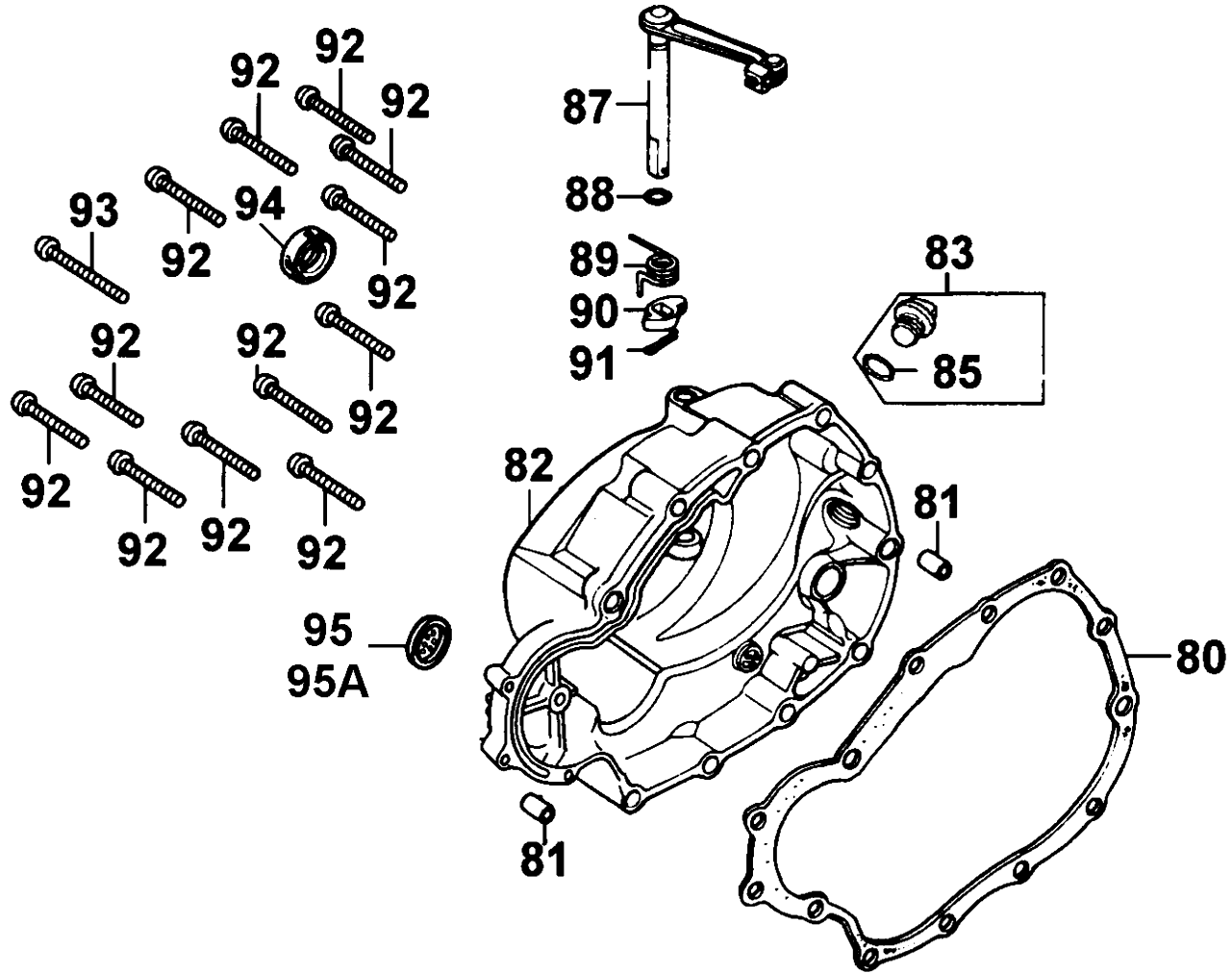
Sales mark	Ref no	Part no	Description	Reg description	Regd no	E02
44		12208-4C13-004	SEAL VALVE STEM	SEAL VALVE STEM	2	
C		12211-KEC8-900	HOLDER CAM SHAFT	HOLDER CAM SHAFT	1	
63		14100-KEC8-220	SHAFT COMP CAM	SHAFT COMP CAM	1	
64		14401-KEC8-90A	CHAIN CAM	CHAIN CAM	1	
67		14402-KEC8-900	PLATE SET CAM CHAIN	PLATE SET CAM CHAIN	1	
D		14431-KEC8-900	ARM VALVE ROCKER	ARM VALVE ROCKER	2	
E		14451-KEC8-900	SHAFT IN ROCKER ARM	SHAFT IN ROCKER ARM	1	
F		14452-KEC8-900	SHAFT EX ROCKER ARM	SHAFT EX ROCKER ARM	1	
G		14453-KEC8-900	SET PLATE ROCKER ARM SHAFT	SET PLATE ROCKER ARM SHAFT	1	
65		14510-KEC8-900	TENSIONER CAM CHAIN	TENSIONER CAM CHAIN	1	
70		14520-GFY6-90A	LIFTER ASSY TENSIONER	LIFTER ASSY TENSIONER	1	
71		14523-GFY6-901	GASKET TENSIONER LIFTER @ A	GASKET TENSIONER LIFTER @ A	1	
66		14531-KKJ9-001	PIVOT CAM CHAIN TENSIONER	PIVOT CAM CHAIN TENSIONER	1	
69		14610-KEC8-900	GUIDE COMP CAM CHAIN	GUIDE COMP CAM CHAIN	1	
40		14711-3C83-001	VALVE INLET	VALVE INLET	1	
41		14721-3C83-001	VALVE EXHAUST	VALVE EXHAUST	1	
A		14751-KEC8-900	SPRING VALVE OUTER	SPRING VALVE OUTER	2	
AA		14751-LLB1-900	SPG VALVE OUTER	SPG VALVE OUTER	2	
B		14761-KEC8-900	SPRING VALVE INNER	SPRING VALVE INNER	2	
BA		14761-LLB1-900	SPG VALVE INNER	SPG VALVE INNER	2	



Sales mark	Ref no	Part no	Description	Reg description	Regd no	E02
46		14771-1G07-021	RETAINER VALVE SPRING	RETAINER VALVE SPRING	2	
42		14775-1G07-001	SEAT VALVE SPG OUTER	SEAT VALVE SPG OUTER	2	
43		14776-1G07-011	SEAT VALVE SPRING INNER	SEAT VALVE SPRING INNER	2	
47		14781-MFA6-001	COTTER VALVE	COTTER VALVE	4	
72		90001-GBHB-661	BOLT FLANGE SH 6*22	BOLT FLANGE SH 6*22	2	
74		90005-KEC8-900	BOLT SPECIAL 6*6	BOLT SPECIAL 6*6	1	
H		90012-4E15-001	SCREW TAPPING ADJUSTING	SCREW TAPPING ADJUSTING	2	
J		90206-2L50-001	NUT TAPPET ADJUSTING	NUT TAPPET ADJUSTING	2	
48		90465-MDC4-001	WASHER 8MM	WASHER 8MM	4	
73		91306-1E05-691	O-RING 1.5*9.5	O-RING 1.5*9.5	1	
49		94050-08080	NUT FLANGE 8MM	NUT FLANGE 8MM	4	
68		96001-06012-08	BOLT FLANGE 6*12	BOLT FLANGE 6*12	1	
K		96001-06016-08	BOLT FLANGE SH 6*16	BOLT FLANGE SH 6*16	1	

E03

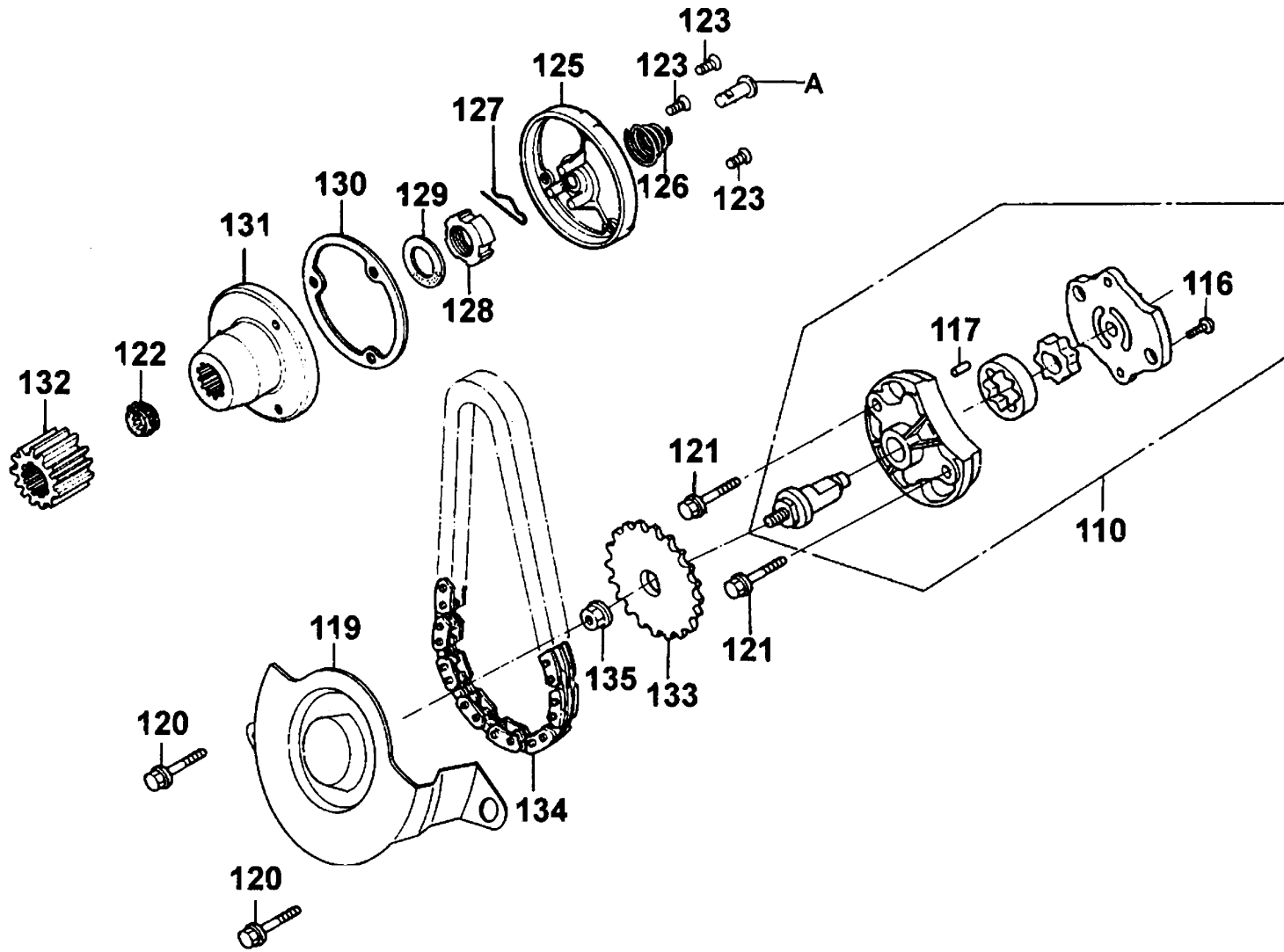
Right Crankcase cover



Sales mark	Ref no	Part no	Description	Reg description	Regd no	E03
**	82	11330-KEC2-900	COVER COMP R CRANK CASE	COVER COMP R CRANK CASE	1	
	80	11393-KEC2-900	GASKET RIGHT CRANK CASE COVER	GASKET RIGHT CRANK CASE COVER	1	
	83	1565A-KKAK-900	GAUGE OIL LEVEL ASSY	GAUGE OIL LEVEL ASSY	1	
	95	15661-KKAK-900	FINDER OIL LEVEL	FINDER OIL LEVEL	1	
	95A	15661-LBA7-900	FINDER OIL LEVEL	FINDER OIL LEVEL	1	
	87	22810-KEC2-900	LEVER COMP CLUTCH	LEVER COMP CLUTCH	1	
	89	22816-3E55-001	SPRING CLUTCH LEVER	SPRING CLUTCH LEVER	1	
	90	22821-3E55-001	CAM CLUTCH LIFTER	CAM CLUTCH LIFTER	1	
	94	91204-2K59-004	OIL SEAL 16*28*7	OIL SEAL 16*28*7	1	
	88	91301-KBE2-710	O-RING 6.8*1.9	O-RING 6.8*1.9	1	
	85	91307-0E35-001	O RING 18*3	O RING 18*3	1	
	91	94201-20150	PIN SPLIT 2*15	PIN SPLIT 2*15	1	
	81	94301-08140	DOWEL PIN 8*14	DOWEL PIN 8*14	2	
	92	96001-06040-02	BOLT FLANGE SH 6*40	BOLT FLANGE SH 6*40	12	
	93	96001-06050-02	BOLT FLANGE SH 6*50	BOLT FLANGE SH 6*50	1	

E04

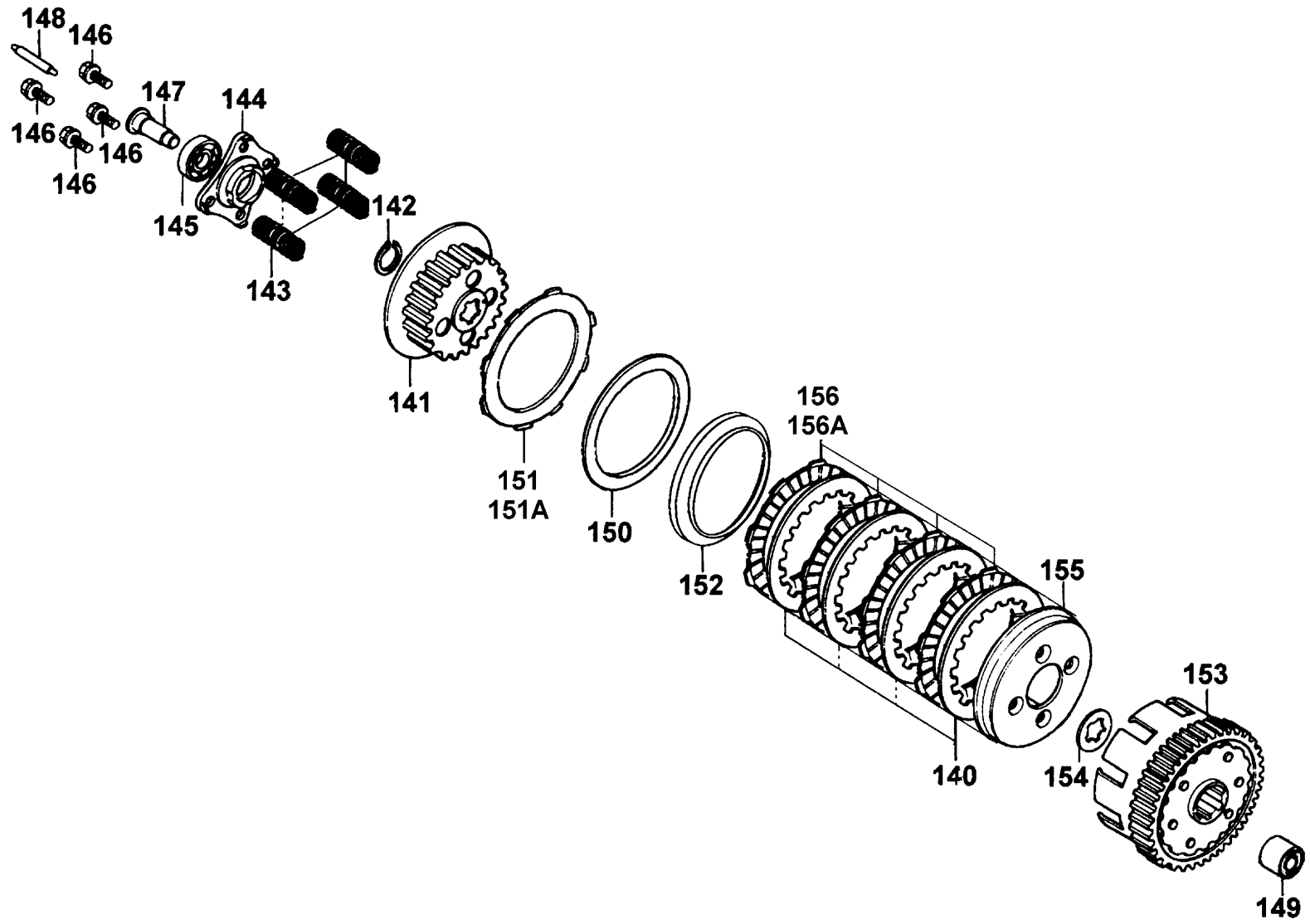
Oil Pump



Sales mark	Ref no	Part no	Description	Reg description	Regd no	E04
	110	15100-LBE8-900	OIL PUMP ASSY	OIL PUMP ASSY	1	
	122	15131-KEC2-900	SPROCKET OIL PUMP DRIVE	SPROCKET OIL PUMP DRIVE	1	
	133	15133-GFY6-901	SPRKT OIL PUMP DRIVEN	SPRKT OIL PUMP DRIVEN	1	
	134	15141-KEC2-900	CHAIN OIL PUMP	CHAIN OIL PUMP	1	
	131	15430-KKAK-910	ROTER COMP OIL FILTER	ROTER COMP OIL FILTER	1	
	125	15436-1G07-001	CAP OIL FILTER ROTOR	CAP OIL FILTER ROTOR	1	
	A	15441-1G07-001	OIL THROUGH	OIL THROUGH	1	
	126	15446-1G07-001	SPRING OIL THROUGH	SPRING OIL THROUGH	1	
	129	15451-1G07-001	WASHER LOCK OIL FILTER ROTOR	WASHER LOCK OIL FILTER ROTOR	1	
	130	15459-1G07-001	GASKET OIL FILTER ROTOR CAP	GASKET OIL FILTER ROTOR CAP	1	
#	119	15711-KEC2-900	SEPARATER OIL	SEPARATER OIL	1	
	132	23121-KEC2-900	GEAR PRIMARY DRIVE	GEAR PRIMARY DRIVE	1	
	128	90231-2L00-011	NUT LOCK 16MM	NUT LOCK 16MM	1	
	116	93500-03012-02	SCREW PAN 3*12	SCREW PAN 3*12	2	
	123	93700-05012-0H	SCREW OVAL 5*12	SCREW OVAL 5*12	3	
	135	94050-06080	NUT FLANGE 6MM	NUT FLANGE 6MM	1	
	127	94251-08400	PIN LOCK 8MM	PIN LOCK 8MM	1	
	117	94303-04065	PIN DOWEL 4*6.5	PIN DOWEL 4*6.5	1	
	120	96001-06012-08	BOLT FLANGE 6*12	BOLT FLANGE 6*12	2	
	121	96001-06032-08	BOLT FLANGE SH 6*32	BOLT FLANGE SH 6*32	2	

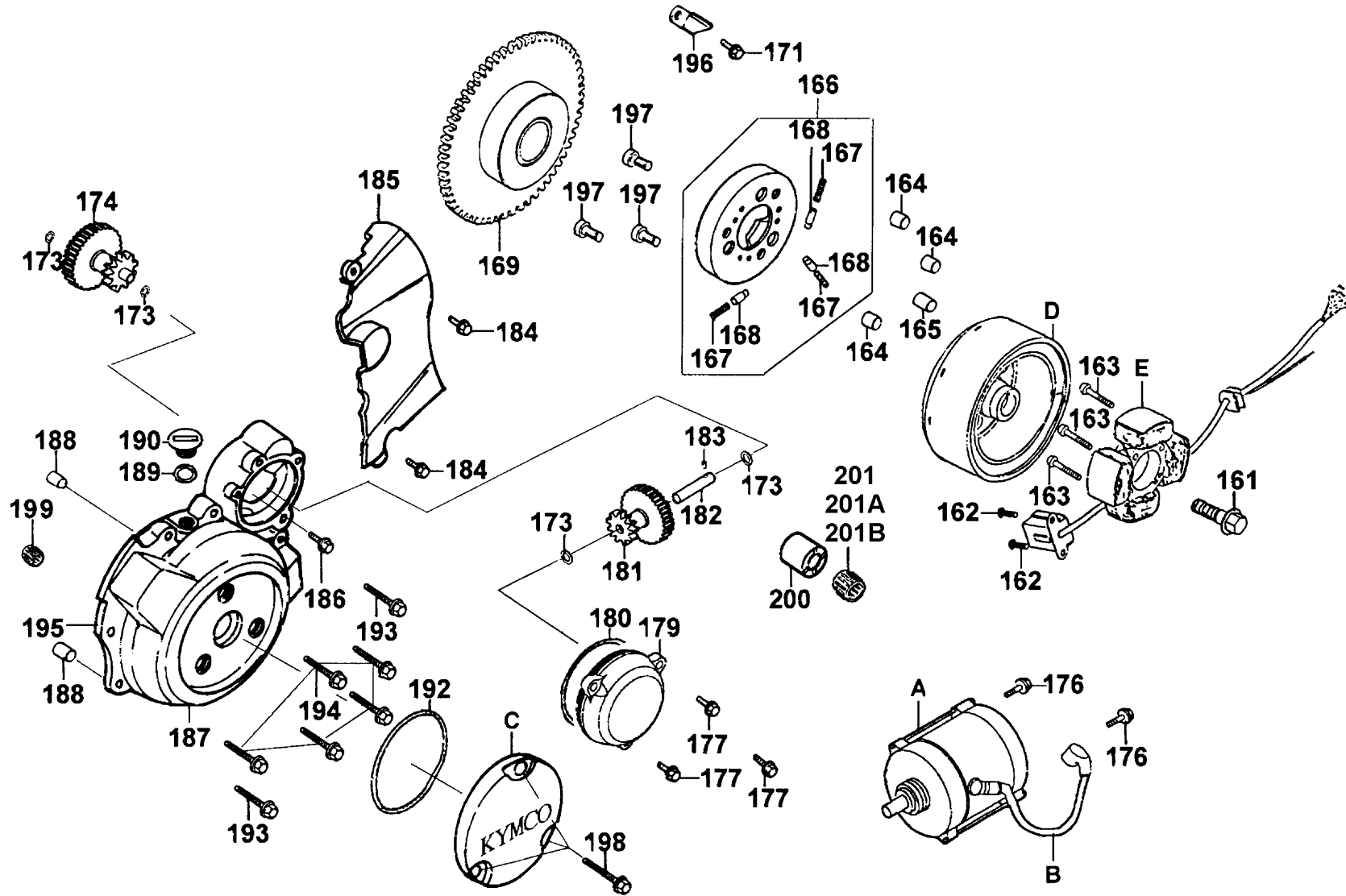
E05

Clutch

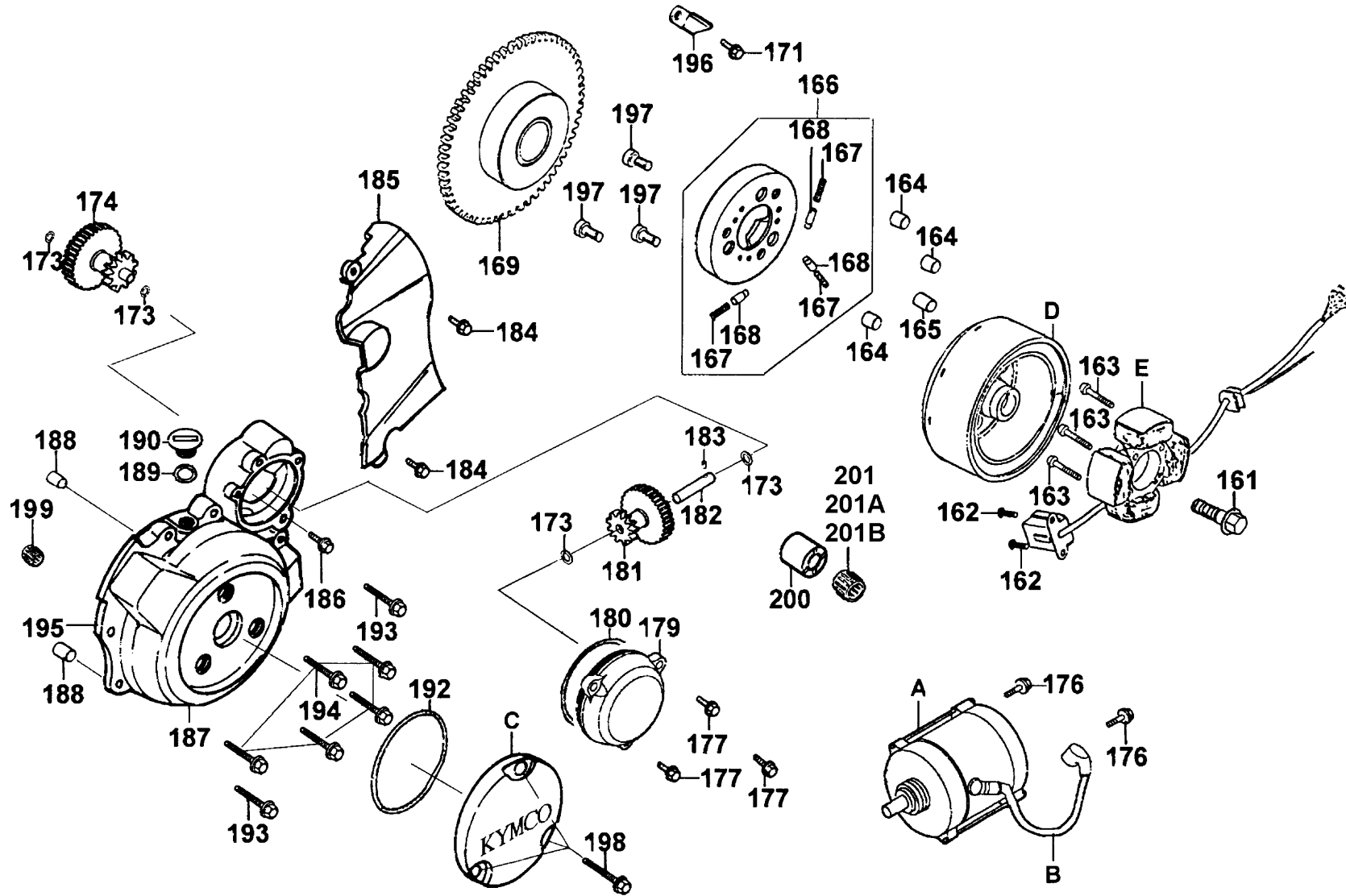


Sales mark	Ref no	Part no	Description	Reg description	Regd no	E05
153		22100-3D24-001	OUTER COMP CLUTCH	OUTER COMP CLUTCH	1	
141		22121-1G07-011	CENTER CLUTCH	CENTER CLUTCH	1	
150		22125-KKAK-900	SEAT ADJUSTER SPG	SEAT ADJUSTER SPG	1	
156		22201-KKAK-900	DISK CLUTCH FRICTION	DISK CLUTCH FRICTION	4	
156A		22201-KKAK-90A	DISK CLUTCH FRICTION	DISK CLUTCH FRICTION	4	
151		22202-KKAK-900	DISK CLUTCH FRICTION	DISK CLUTCH FRICTION	1	
151A		22202-KKAK-90A	DISK CLUTCH FRICTION	DISK CLUTCH FRICTION	1	
140		22311-1G07-001	PLATE CLUTCH	PLATE CLUTCH	4	
155		22350-1G07-012	PLATE CLUTCH PRESSURE	PLATE CLUTCH PRESSURE	1	
144		22361-1G07-001	PLATE CLUTCH LIFTER	PLATE CLUTCH LIFTER	1	
147		22366-3C83-001	GUIDE PIN CLUTCH LIFTER	GUIDE PIN CLUTCH LIFTER	1	
152		22402-KKAK-900	SPR ADJUSTER	SPR ADJUSTER	1	
148		22850-3E55-001	ROD CLUTCH LIFTER	ROD CLUTCH LIFTER	1	
149		23236-KEC2-900	COOLAR CLUTCH	COOLAR CLUTCH	1	
154		90461-1G07-001	WASHER SPLINE 20MM	WASHER SPLINE 20MM	1	
142		94510-20000	CIR CLIP EX 20	CIR CLIP EX 20	1	
143		95014-75110	SPRING CLUTCH	SPRING CLUTCH	4	
146		95701-06022-08	BOLT FLANGE 6*22	BOLT FLANGE 6*22	4	
145		96100-60010-00	BEARING RADIAL BALL 6001	BEARING RADIAL BALL 6001	1	

Sales mark	Ref no	Part no	Description	Reg description	Regd no	E06
**	187	11341-KEC2-900	COVER LEFT CRANK CASE	COVER LEFT CRANK CASE	1	
	179	11355-KKAK-900	COVER REDUCTION GEAR	COVER REDUCTION GEAR	1	
	185	11361-KKAK-900	COVER LEFT REAR CRANK CASE	COVER LEFT REAR CRANK CASE	1	
	195	11395-KEC2-900	GASKET L CRANK CASE	GASKET L CRANK CASE	1	
	169	28110-KKA7-900	GEAR COMP STARTING DRIVEN	GEAR COMP STARTING DRIVEN	1	
#	200	28114-KKA7-900	BOSS STARTING GEAR COMP	BOSS STARTING GEAR COMP	1	
	166	28120-GFY6-315	OUTER COMP STARTING CLUTCH	OUTER COMP STARTING CLUTCH	1	
	167	28125-4F26-001	SPRING ROLLER STARTER CLUTCH	SPRING ROLLER STARTER CLUTCH	3	
	168	28126-KUDU-900	CAP STARTING ROLLER SPRING	CAP STARTING ROLLER SPRING	3	
	181	28130-KBE2-981	GEAR COMP REDUCTION	GEAR COMP REDUCTION	1	
	182	28132-KGG7-001	SHAFT REDUCTION GEAR	SHAFT REDUCTION GEAR	1	
	183	30905-2F16-001	KNOCK PIN 3*5.2	KNOCK PIN 3*5.2	1	
D		31110-KBE2-96A	FLYWHEEL COMP	FLYWHEEL COMP	1	
E		31120-KHBH-900	STATOR COMP	STATOR COMP	1	
A		31200-KKAK-900	MOTOR ASSY STARTER	MOTOR ASSY STARTER	1	
	174	31241-KBE2-981	SHAFT STARTER GEAR	SHAFT STARTER GEAR	1	
B		32410-KKAK-900	CABLE START MOTOR	CABLE START MOTOR	1	
	196	32976-1G07-001	CLAMPER WIRE HARNESS	CLAMPER WIRE HARNESS	1	
	161	90023-KGG7-001	BOLT ROTOR SETTING	BOLT ROTOR SETTING	1	
	190	90084-KKAK-900	CAP AC GENERATOR	CAP AC GENERATOR	1	



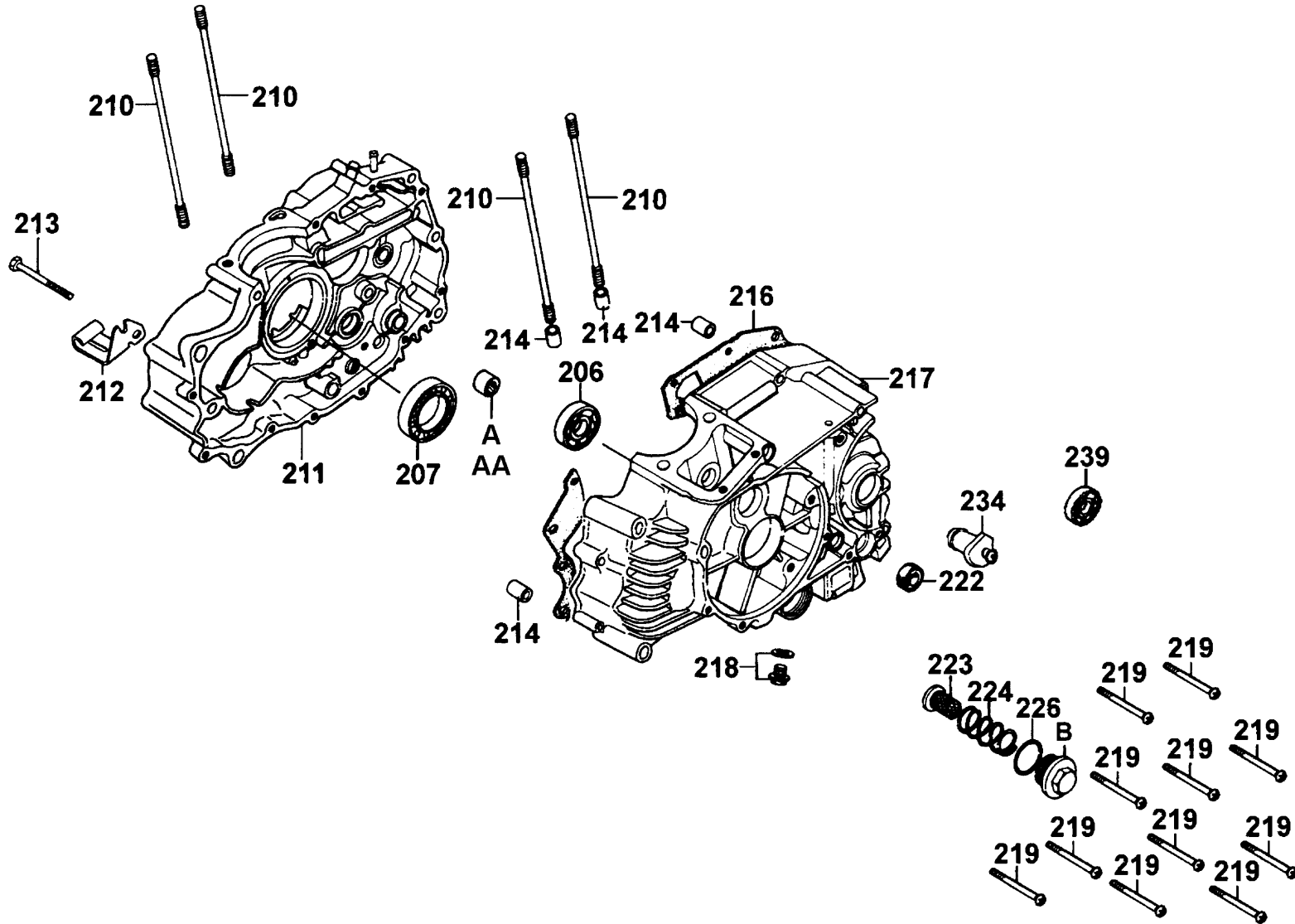
Sales mark	Ref no	Part no	Description	Reg description	Regd no	E06
C		90087-KKAK-900	CAP	CAP	1	
173		90474-1G47-001	WASHER 10.5MM	WASHER 10.5MM	4	
199		91021-1H48-005	BEARING NEEDLE 1010	BEARING NEEDLE 1010	1	
164		91101-1K79-711	ROLLER 10*10	ROLLER 10*10	3	
201		91104-KEC8-90A-B	BEARING NEEDLE 22*28*17V2	BEARING NEEDLE 22*28*17V2	1	
201A		91104-KEC8-90A-R	BEARING NEEDLE 22*28*17V2	BEARING NEEDLE 22*28*17V2	1	
201B		91104-KEC8-90A-W	BEARING NEEDLE 22*28*17V2	BEARING NEEDLE 22*28*17V2	1	
192		91302-5G67-004	O-RING 27.4*2.4	O-RING 27.4*2.4	1	
189		91303-3G77-001	O-RING 13.8*2.5	O-RING 13.8*2.5	1	
180		91359-3A71-004	O-RING 63*3.0	O-RING 63*3.0	1	
163		92201-05025-0H	BOLT HEX 5*25	BOLT HEX 5*25	3	
162		93500-05016-0H	SCREW PAN 5*16	SCREW PAN 5*16	2	
188		94301-10140	DOWEL PIN 10*14	DOWEL PIN 10*14	2	
176		95701-06028-02	BOLT FLANGE 6*28	BOLT FLANGE 6*28	2	
171		96001-06012-08	BOLT FLANGE 6*12	BOLT FLANGE 6*12	1	
198		96001-06014-02	BOLT FLANGE 6*14	BOLT FLANGE 6*14	3	
177		96001-06020-02	BOLT FLANGE SH 6*20	BOLT FLANGE SH 6*20	3	
184		96001-06028-02	BOLT FLANGE SH 6*28	BOLT FLANGE SH 6*28	2	
186		96001-06032-08	BOLT FLANGE SH 6*32	BOLT FLANGE SH 6*32	1	
194		96001-06040-02	BOLT FLANGE SH 6*40	BOLT FLANGE SH 6*40	5	



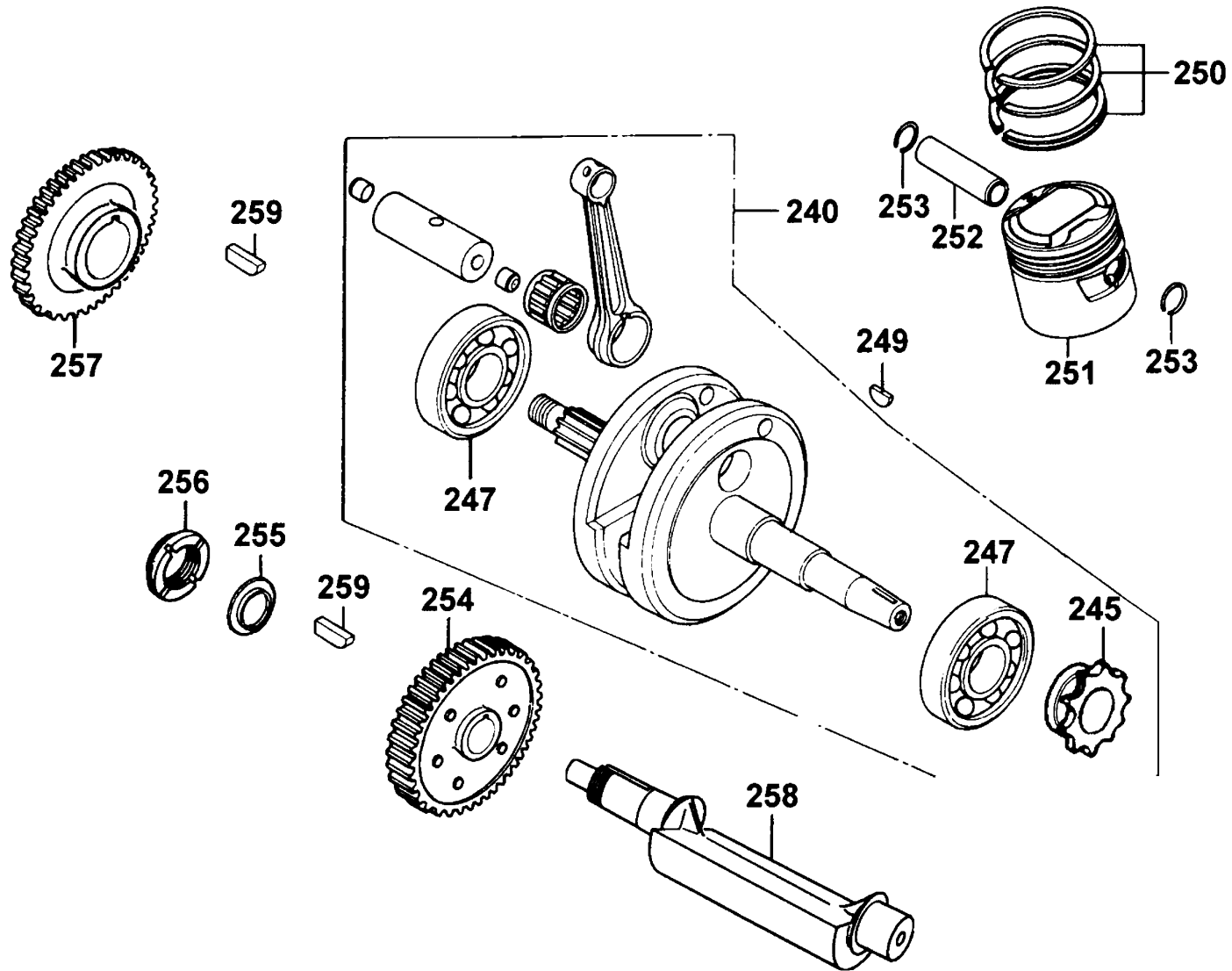
Sales mark	Ref no	Part no	Description	Reg description	Regd no	E06
	193	96001-06050-02	BOLT FLANGE SH 6*50	BOLT FLANGE SH 6*50	2	
	165	96220-60100	ROLLER 6*10	ROLLER 6*10	1	
	197	96600-08015-10	SOCKET BOLT 8*15	SOCKET BOLT 8*15	3	

E07

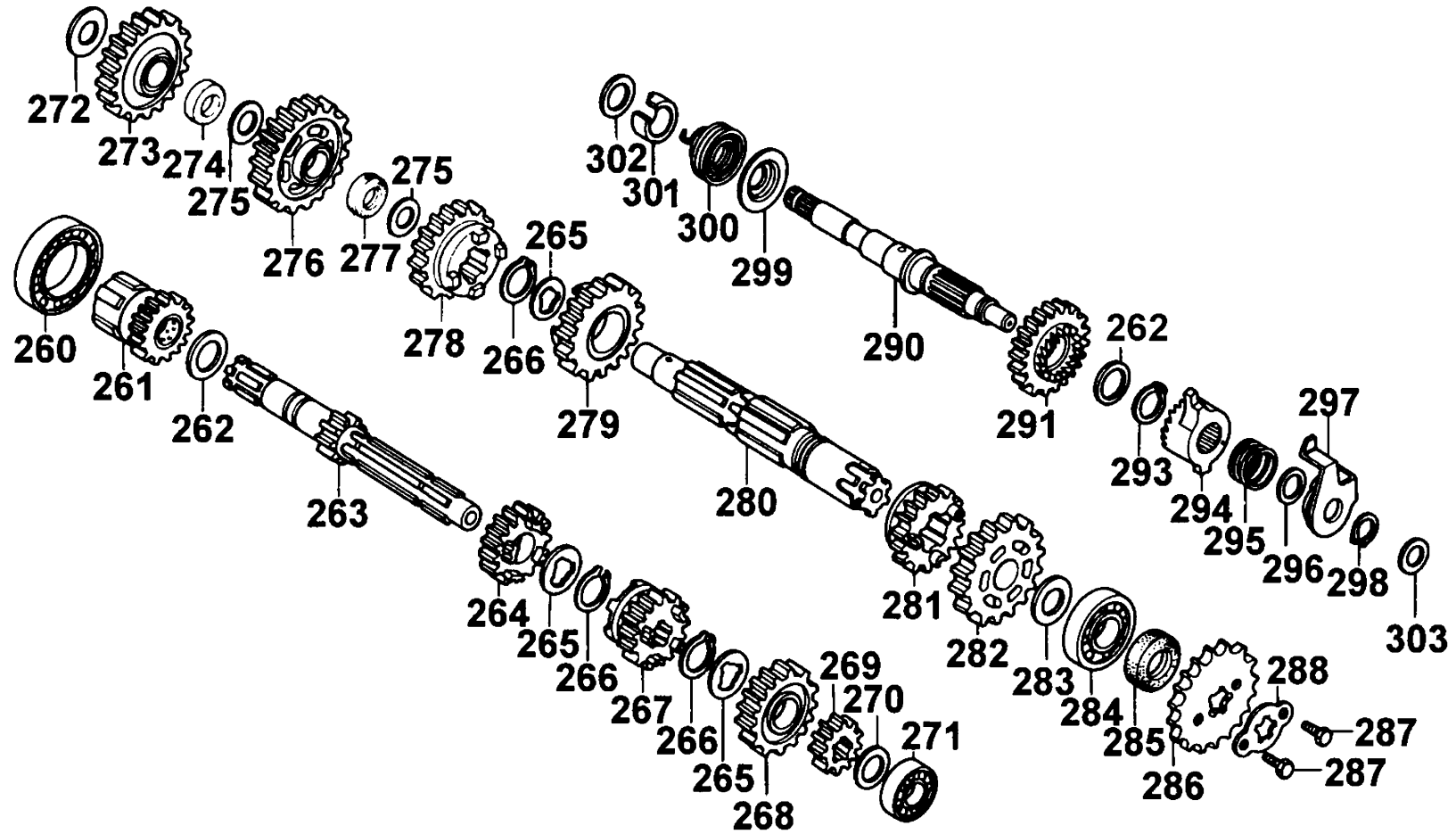
Crankcase



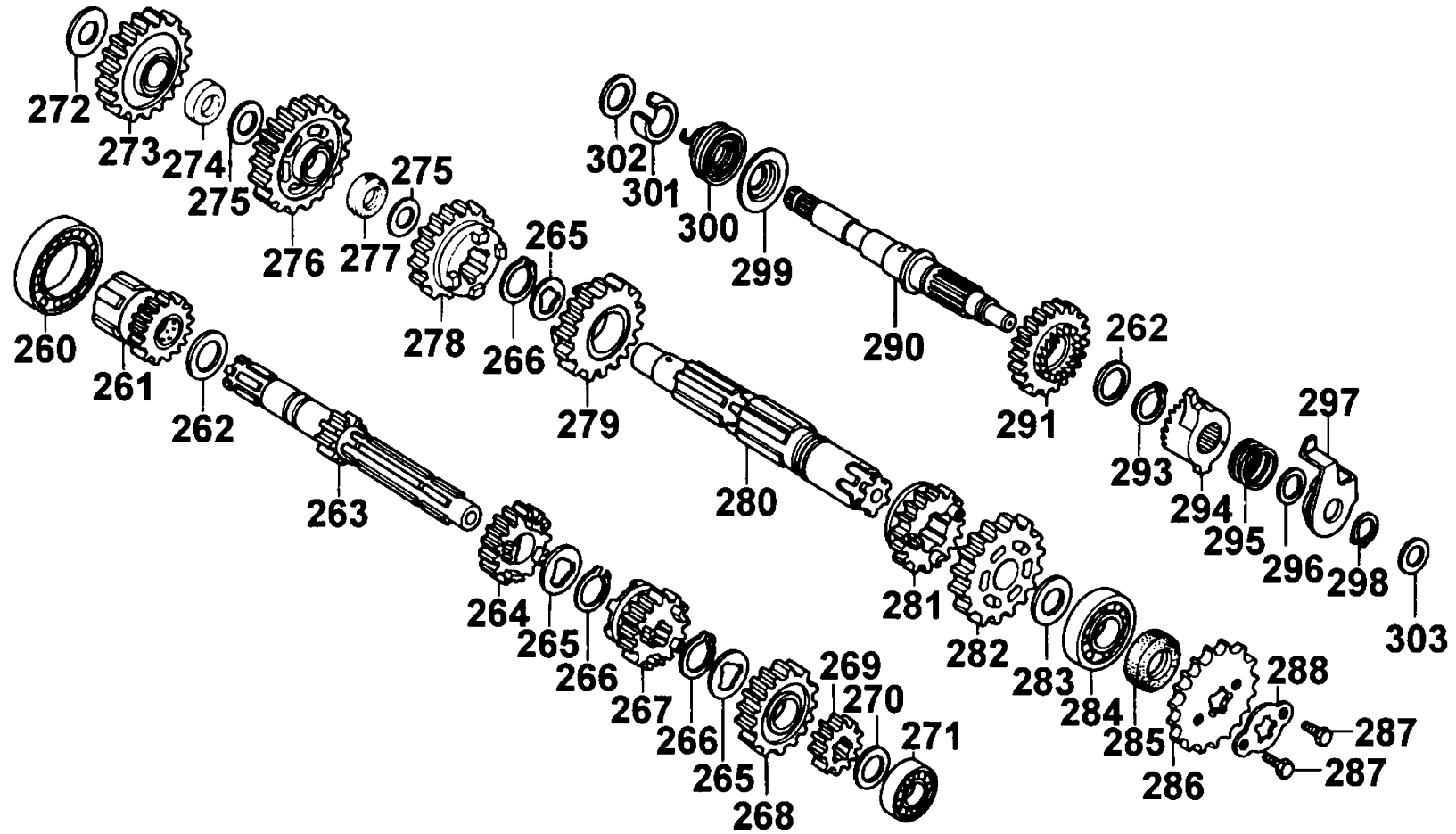
Sales mark	Ref no	Part no	Description	Reg description	Regd no	E07
	211	11100-KHC7-E00	CRANK CASE COMP RIGHT	CRANK CASE COMP RIGHT	1	
	216	11191-KED7-E00	GASKET CRANK CASE	GASKET CRANK CASE	1	
	217	11200-KKA7-900	CRANK CASE COMP LEFT	CRANK CASE COMP LEFT	1	
	B	12361-1G07-001	HOLDER CAP TAPPET ADJST	HOLDER CAP TAPPET ADJST	1	
	223	15421-1G07-001	SCREEN OIL FILTER	SCREEN OIL FILTER	1	
	224	15426-1G07-001	SPRING OIL FILTER SCREEN	SPRING OIL FILTER SCREEN	1	
	212	22838-KEC2-900	HOLDER CLUTCH WIRE	HOLDER CLUTCH WIRE	1	
	234	3575A-0A01-021	CONTACT SET NEUTRA	CONTACT SET NEUTRA	1	
	210	90031-KEBE-900	BOLT A STUD 8MM	BOLT A STUD 8MM	4	
	213	90081-KKAK-900	BOLT HS 6*55	BOLT HS 6*55	1	
	218	9052A-GFY6-950	BOLT ASSY DRAIN PLUG	BOLT ASSY DRAIN PLUG	1	
	239	91021-1H48-005	BEARING NEEDLE 1010	BEARING NEEDLE 1010	1	
	A	91106-KHC4-90A	BRG NEEDLE 15MM	BRG NEEDLE 15MM	1	
	AA	91106-KHC4-90B	BRG NEEDLE 15MM	BRG NEEDLE 15MM	1	
	222	91206-2F86-014	OIL SEAL 14*28*7	OIL SEAL 14*28*7	1	
	226	91303-1G07-001	O-RING 35*3.0	O-RING 35*3.0	1	
	219	93500-06050-0H	SCREW PAN 6*50	SCREW PAN 6*50	11	
	214	94301-10140	DOWEL PIN 10*14	DOWEL PIN 10*14	4	
	206	96100-62030-00	BRG BALL RADIAL 6203	BRG BALL RADIAL 6203	1	
	207	96100-63030-00	BEARING BALL RADIAL 6303	BEARING BALL RADIAL 6303	1	



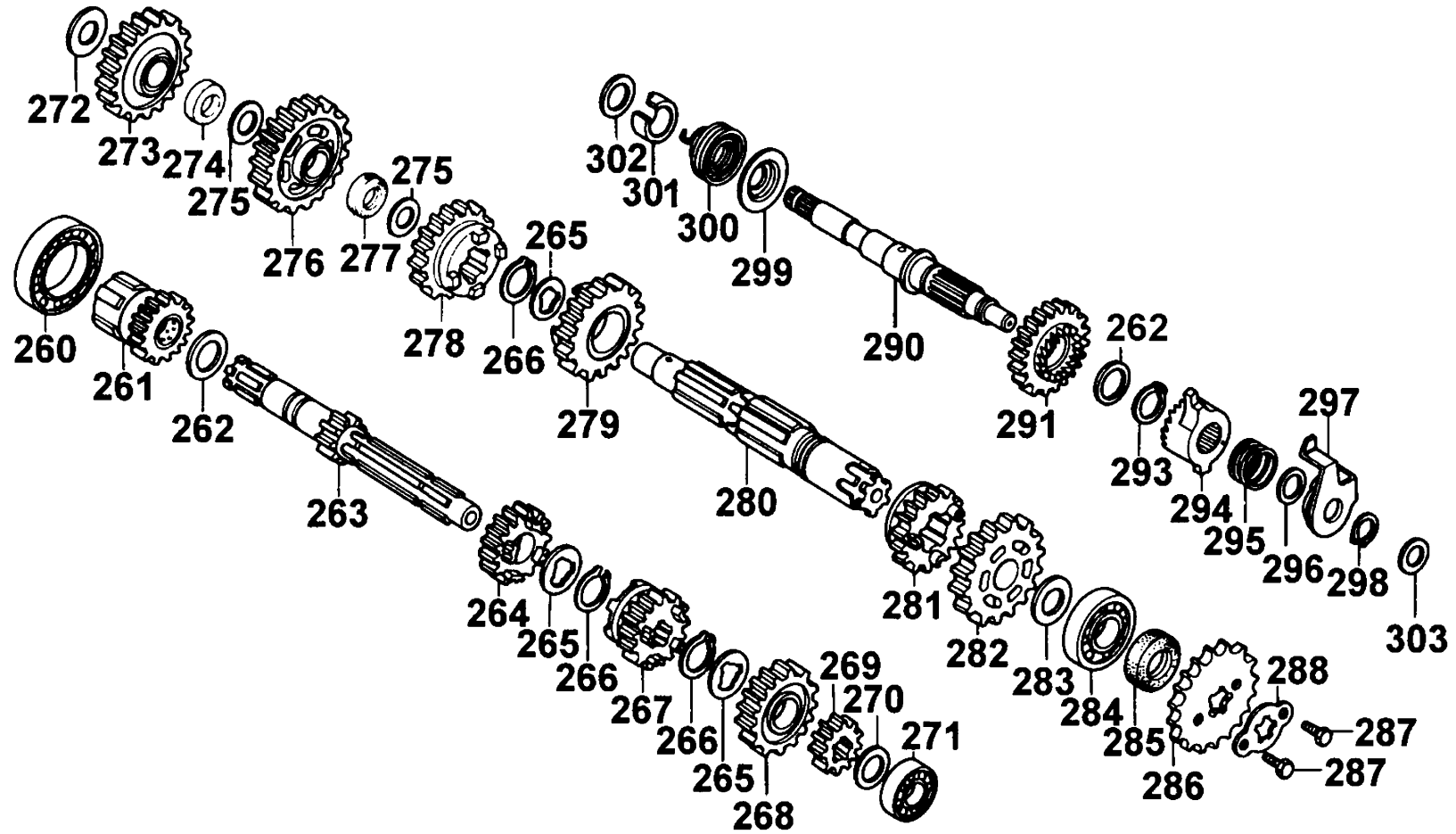
Sales mark	Ref no	Part no	Description	Reg description	Regd no	E08
240		13000-KKA8-900	CRANK SHAFT COMP	CRANK SHAFT COMP	1	
250		13011-3C83-62B	RING SET PISTON	RING SET PISTON	1	
251		13101-3C83-500	PISTON	PISTON	1	
252		13111-4L40-001	PIN PISTON	PIN PISTON	1	
257		13417-KEC2-900	GEAR BALANCER DRIVE	GEAR BALANCER DRIVE	1	
258		13421-KEC2-900	SHAFT BALANCER	SHAFT BALANCER	1	
245		14311-KEC8-900	GEAR TIMING DRIVE	GEAR TIMING DRIVE	1	
254		22100-KEC2-900	GEAR COMP BALANCER	GEAR COMP BALANCER	1	
256		90231-KEC2-900	NUT LOCK 16MM	NUT LOCK 16MM	1	
255		90443-KEC2-900	WASHER GEAR BAL	WASHER GEAR BAL	1	
247		91002-KEB5-00A	BRG BALL RADIAL 6328U	BRG BALL RADIAL 6328U	2	
249		94401-25140	WOODRUFF KEY 25*14	WOODRUFF KEY 25*14	1	
259		94401-KEC2-900	KEY WOODRUFF 16*13	KEY WOODRUFF 16*13	2	
253		94601-15000	CLIP PISTON PIN 15MM	CLIP PISTON PIN 15MM	2	



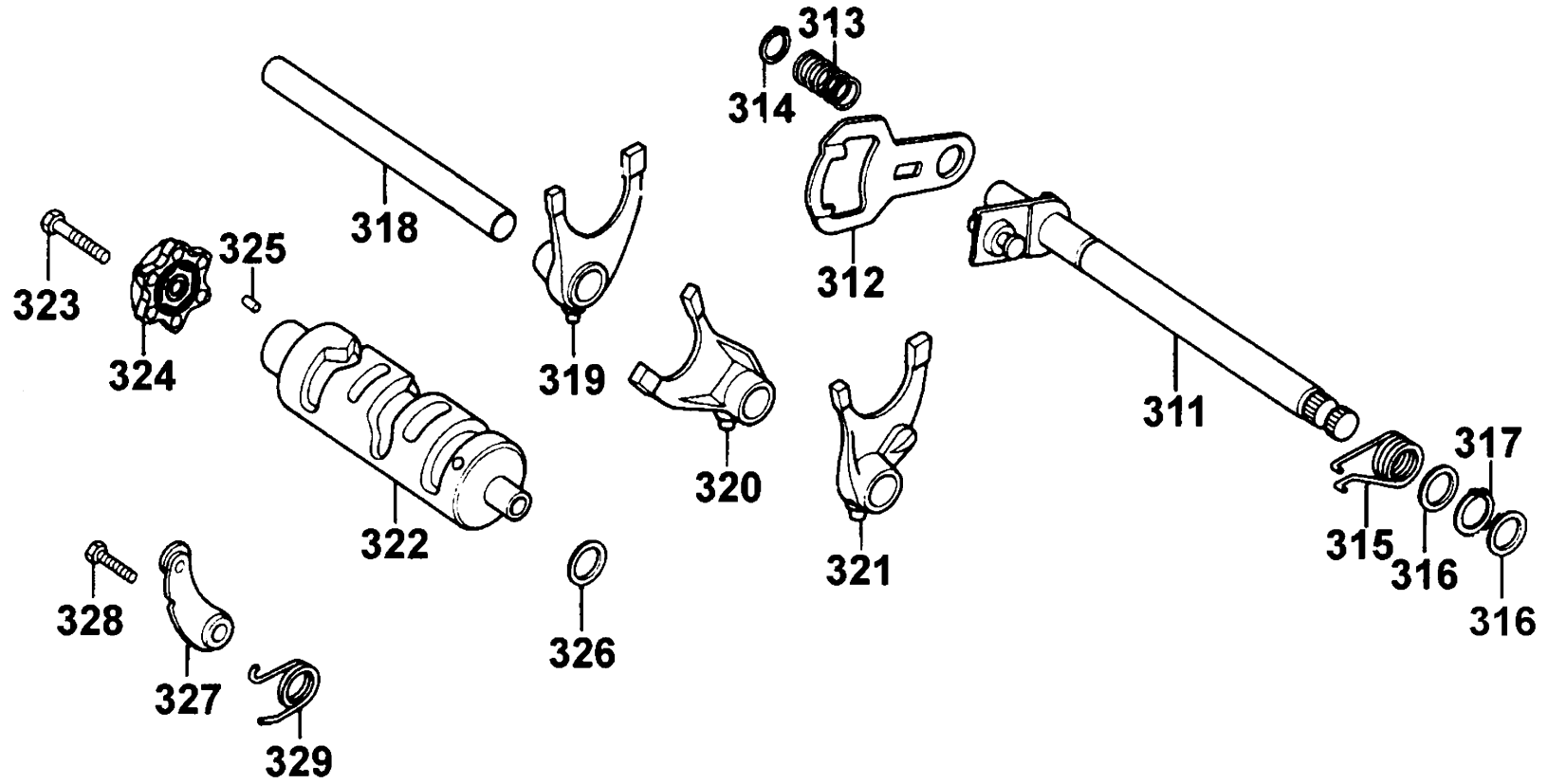
Sales mark	Ref no	Part no	Description	Reg description	Regd no	E09
263		23211-KEC2-900	SHAFT MAIN TRANSMISSION	SHAFT MAIN TRANSMISSION	1	
280		23221-KKAK-900	SHAFT COUNTER TRANSMISSION	SHAFT COUNTER TRANSMISSION	1	
276		23426-KKAK-900	GEAR COUNTER SHAFT LOW	GEAR COUNTER SHAFT LOW	1	
277		23427-4K39-001	COLLAR COUNTER SHAFT LOW GEAR	COLLAR COUNTER SHAFT LOW GEAR	1	
274		23431-4K39-001	COLLAR IDLE STARTER GEAR	COLLAR IDLE STARTER GEAR	1	
269		23441-KKAK-900	GEAR M-2	GEAR M-2	1	
282		23451-KKAK-900	GEAR C2	GEAR C2	1	
264		23461-4K39-001	GEAR M-3 (20T)	GEAR M-3 (20T)	1	
278		23471-4K39-001	GEAR C-3 (28T)	GEAR C-3 (28T)	1	
267		23481-4K39-001	GEAR M-4 (23T)	GEAR M-4 (23T)	1	
279		23491-4K39-001	GEAR C-4 (26T)	GEAR C-4 (26T)	1	
268		23501-KKAK-900	MAIN SHAFT FIFTH	MAIN SHAFT FIFTH	1	
281		23511-KKAK-900	GEAR C-5	GEAR C-5	1	
261		23520-KEC2-900	GEAR COMP STARTER	GEAR COMP STARTER	1	
273		23531-4K39-001	GEAR ONLY IDLE STARTER	GEAR ONLY IDLE STARTER	1	
286		23801-KKAK-900	SPROCKET DRIVE	SPROCKET DRIVE	1	
288		23811-KCR3-601	PLATE A2 FIXING	PLATE A2 FIXING	1	
291		28211-3G97-011	PINION KICK STARTER	PINION KICK STARTER	1	
294		28221-3G97-021	RATCHET KICK STARTER	RATCHET KICK STARTER	1	
290		28251-3G97-011	SPINDLE KICK STARTER	SPINDLE KICK STARTER	1	



Sales mark	Ref no	Part no	Description	Reg description	Regd no	E09
295		28253-3G97-001	SPRING KICK STARTER RATCHET	SPRING KICK STARTER RATCHET	1	
300		28261-3G97-001	SPRING KICK STARTER	SPRING KICK STARTER	1	
301		28262-3G97-001	COLLAR KICK SPINDLE	COLLAR KICK SPINDLE	1	
299		28263-3G97-001	RETAINER STARTER SPRING	RETAINER STARTER SPRING	1	
297		28270-3G97-021	PLATE COMP RATCHET GUIDE	PLATE COMP RATCHET GUIDE	1	
270		90451-1G07-001	WASHER THRUST 15MM	WASHER THRUST 15MM	1	
272		90451-3E65-001	WASHER THRUST 15M/M	WASHER THRUST 15M/M	1	
275		90452-1G07-001	WASHER THRUST 16.5M/M	WASHER THRUST 16.5M/M	2	
262		90453-1G07-001	WASHER THRUST 20M/M	WASHER THRUST 20M/M	2	
296		90453-2E35-001	WASHER THRUST 16MM	WASHER THRUST 16MM	1	
283		90454-1G07-001	WASHER THRUST 20MM B	WASHER THRUST 20MM B	1	
265		90455-1G07-001	WASHER SPLINE 20M/M A	WASHER SPLINE 20M/M A	3	
303		90459-1G07-001	WASHER THRUST 12M/M	WASHER THRUST 12M/M	1	
302		90462-1G07-001	WASHER THRUST 16M/M	WASHER THRUST 16M/M	1	
266		90605-2L00-001	SET RING 20MM	SET RING 20MM	3	
285		91201-0L30-034	OIL SEAL 20*34*7	OIL SEAL 20*34*7	1	
287		92000-06010-0H	BOLT HEX 6*10	BOLT HEX 6*10	2	
298		94510-16000	CIR CLIP EXTERNAL	CIR CLIP EXTERNAL	1	
293		94510-20000	CIR CLIP EX 20	CIR CLIP EX 20	1	
260		96100-60060-00	BEARING BALL RADIAL 6006	BEARING BALL RADIAL 6006	1	



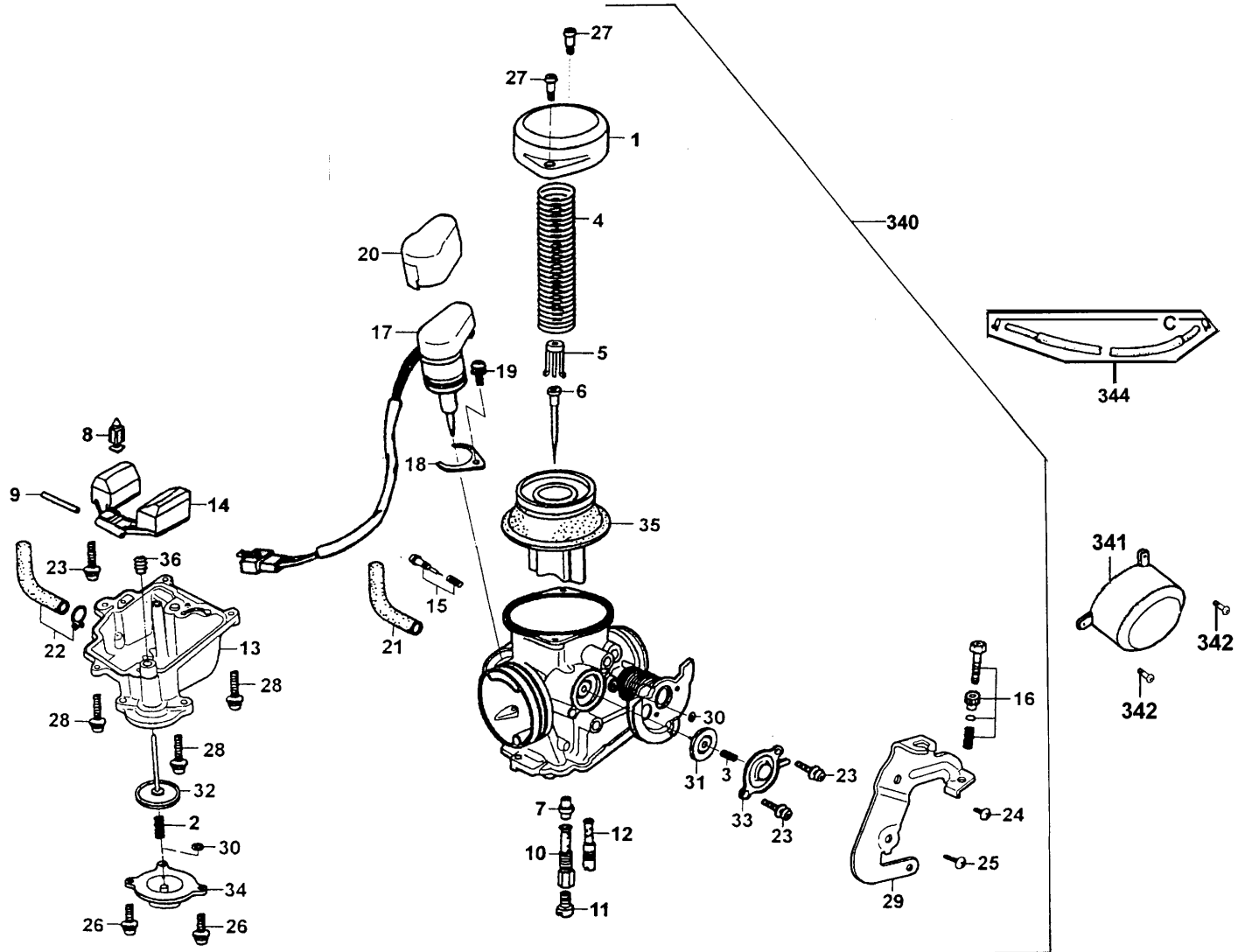
Sales mark	Ref no	Part no	Description	Reg description	Regd no	E09
	284	96100-62040-00	BRG BALL RADIAL 6204	BRG BALL RADIAL 6204	1	
	271	96120-62020-00	BEARING BALL RADIAL 6202	BEARING BALL RADIAL 6202	1	



Sales mark	Ref no	Part no	Description	Reg description	Regd no	E10
319		24211-1G07-002	FORK RIGHT GEAR SHIFT	FORK RIGHT GEAR SHIFT	1	
321		24221-3E55-002	FORK LEFT GEAR SHIFT	FORK LEFT GEAR SHIFT	1	
320		24231-1G07-011	FORK CENTER GEAR SHIFT	FORK CENTER GEAR SHIFT	1	
318		24241-1G07-001	SHAFT GEAR SHIFT FORK GUIDE	SHAFT GEAR SHIFT FORK GUIDE	1	
322		24301-KKAK-900	DRUM GEAR SHIFT	DRUM GEAR SHIFT	1	
324		24411-KKAK-900	CAM GEAR SHIFT	CAM GEAR SHIFT	1	
327		24430-3D24-001	STOPPER COMP GEAR SHIFT DRUM	STOPPER COMP GEAR SHIFT DRUM	1	
329		24435-KKAK-900	SPG SHIFT DRUM STOPPER	SPG SHIFT DRUM STOPPER	1	
311		24610-KFC6-001	SPINDLE COMP GEAR SHIFT	SPINDLE COMP GEAR SHIFT	1	
312		24621-1G07-761	PLATE GEAR SHIFT	PLATE GEAR SHIFT	1	
313		24631-1G07-001	SPRING GEAR SHIFT PLATE	SPRING GEAR SHIFT PLATE	1	
315		24651-3H98-941	SPRING GEAR SHIFT RETURN	SPRING GEAR SHIFT RETURN	1	
326		35753-KEC2-900	ROTOR NEUTROL SWITCH	ROTOR NEUTROL SWITCH	1	
316		90451-0A01-001	WASHER THRUST 14M/M	WASHER THRUST 14M/M	2	
328		92000-06020-0H	BOLT HEX 6X20	BOLT HEX 6X20	1	
323		92000-06025-0H	BOLT HEX 6*25	BOLT HEX 6*25	1	
314		94510-12000	CIR CLIP EXTERNAL 12	CIR CLIP EXTERNAL 12	1	
317		94510-14000	CIR CLIP EXTERNAL 14	CIR CLIP EXTERNAL 14	1	
325		96220-40100	ROLLER 4*10	ROLLER 4*10	1	

E11

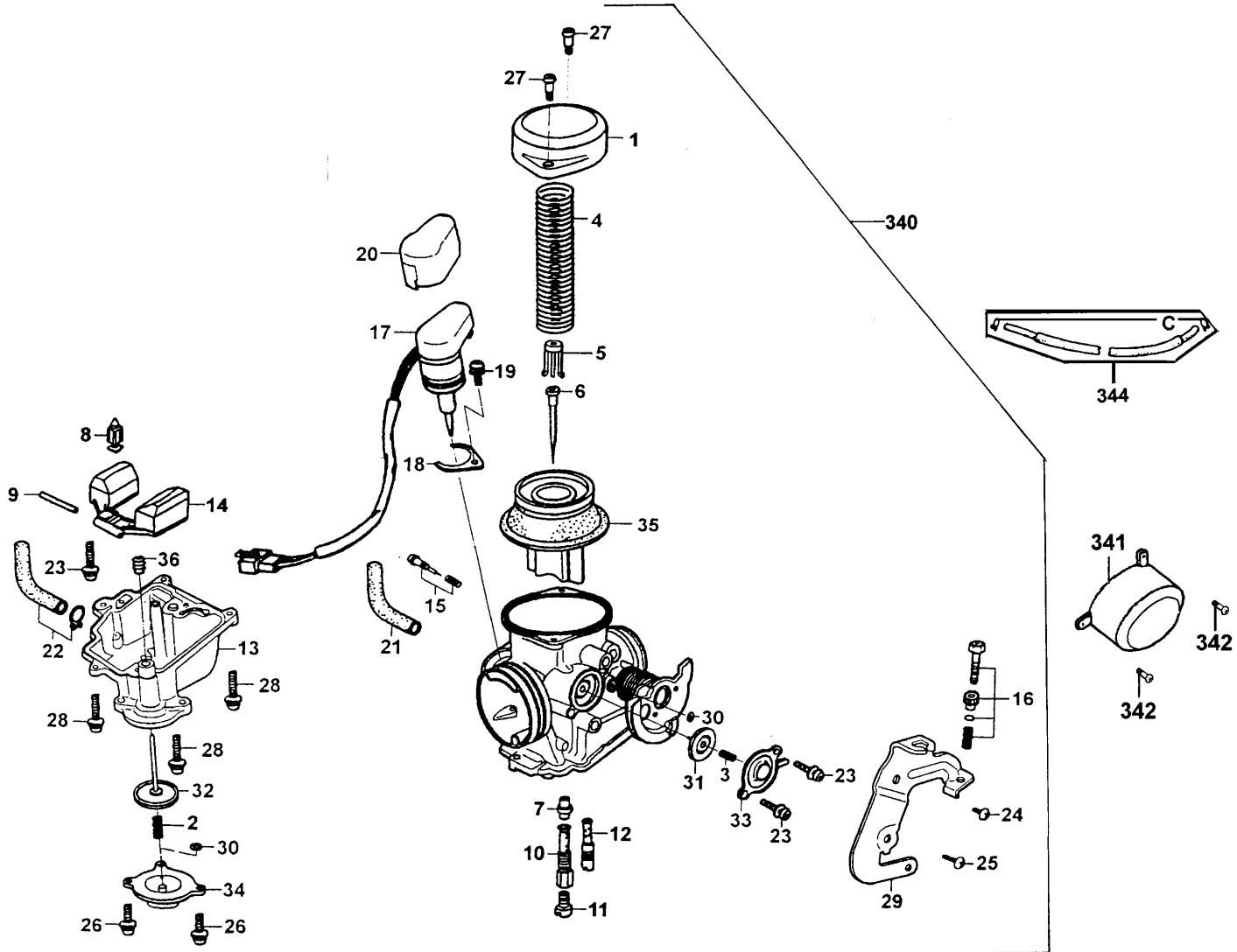
Carburetor



Sales mark	Ref no	Part no	Description	Reg description	Regd no	E11
27		0110-803-1100	SCREW PAN	SCREW PAN	2	
36		1028-054-7000	RUBBER CAP	RUBBER CAP	1	
1		1030-873-7003	TOP SET	TOP SET	1	
14		1052-862-2101	FLOAT COMP	FLOAT COMP	1	
18		1090-873-2001	SET PLATE	SET PLATE	1	
29		1190-B07-2102	STAY PLATE SET	STAY PLATE SET	1	
32		1201-830-2201	DIAPHRAGM COMP	DIAPHRAGM COMP	1	
5		1229-805-7000	SPG SET	SPG SET	1	
33		1230-850-2000	COVER (ACV)	COVER (ACV)	1	
34		1230-851-2001	COVER (ACCP)	COVER (ACCP)	1	
20		1230-856-7001	COVER	COVER	1	
3		1290-996-2000	SPG COMPR	SPG COMPR	1	
2		1290-A07-2000	SPG COMPR	SPG COMPR	1	
4		1290-A46-2000	SPG COMPR	SPG COMPR	1	
35		1402-912-2201	VACUUM PISTON COMP	VACUUM PISTON COMP	1	
341		15712-KEC8-900	COVER CARBURETOR	COVER CARBURETOR	1	
340		1610K-KKC5-E01	CARBURETOR ASSY	CARBURETOR ASSY	1	
21		16199-GFY6-900	TUBE SET	TUBE SET	1	
22		1785-402H-0040-SB0	TUBE SET	TUBE SET	1	
17		4000-069-0004	AUTO BYSTARTER SET	AUTO BYSTARTER SET	1	

E11

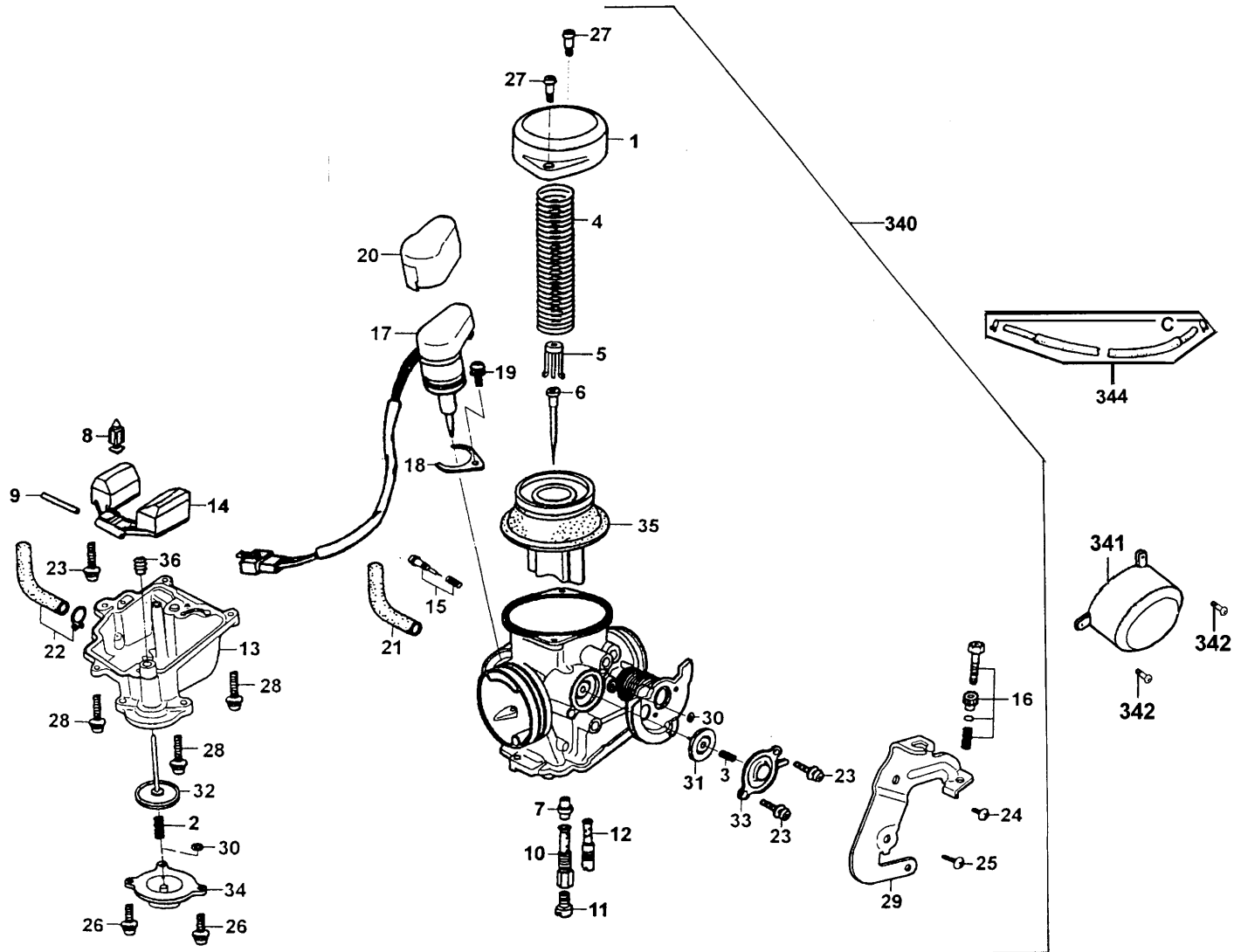
Carburetor



Sales mark	Ref no	Part no	Description	Reg description	Regd no	E11
24		4115-803-1100	SCREW PAN	SCREW PAN	1	
25		4115-804-1100	SCREW PAN	SCREW PAN	1	
23		93500-04008-1H	SCREW PAN	SCREW PAN	3	
26		93500-04010-1H	SCREW PAN	SCREW PAN	2	
28		93500-04012-1H	SCREW PAN	SCREW PAN	3	
342		93891-05006-02	PAN SCREW 5*6	PAN SCREW 5*6	2	
19		93892-04008-18	SCREW WASHER	SCREW WASHER	1	
C		95002-02070	CLIP B7 TUBE	CLIP B7 TUBE	2	
344		9500A-KBE2-700	TUBE ASSY	TUBE ASSY	1	
11		99101-116-1020	MAIN JET	MAIN JET	1	
15		K446-A31-0100	SCREW SET	SCREW SET	1	
10		N413-18C00	NEEDLE JET HOLDER	NEEDLE JET HOLDER	1	
12		N424-45A35	SLOW JET	SLOW JET	1	
6		N425-4HLNL	JET NEEDLE COMP	JET NEEDLE COMP	1	
7		N426-33C00	NEEDLE JET	NEEDLE JET	1	
31		W1470-MW0-7500	DIAPHRAGM COMP	DIAPHRAGM COMP	1	
30		W9353-36000	U RING	U RING	2	
9		W9525-25250	ARM PIN	ARM PIN	1	
13		Y1901-001-3400	FLOAT CHAMBER SET	FLOAT CHAMBER SET	1	
16		Y1901-002-0100	SCREW SET (S.S)	SCREW SET (S.S)	1	

E11

Carburetor

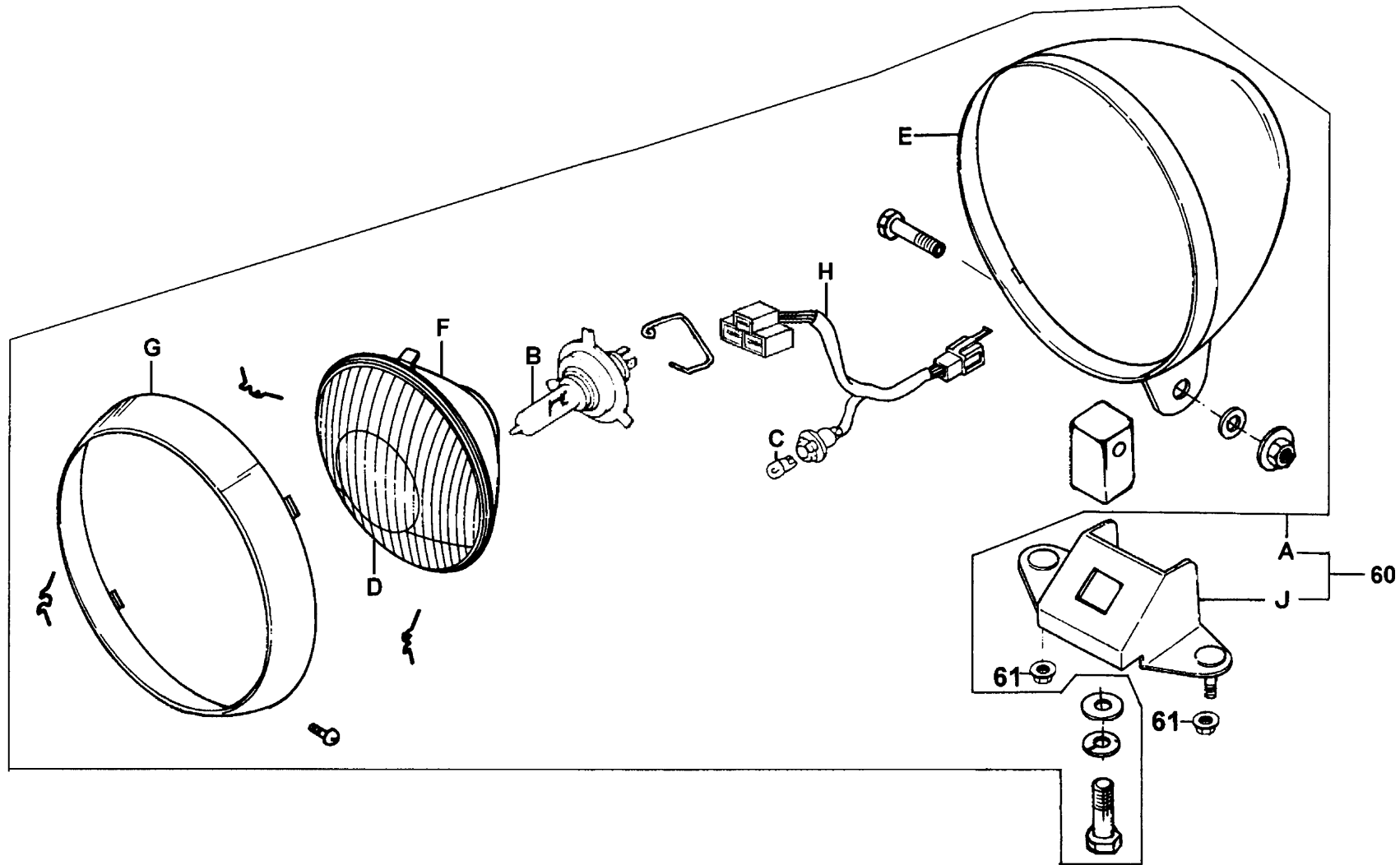


Sales mark	Ref no	Part no	Description	Reg description	Regd no	E11
------------	--------	---------	-------------	-----------------	---------	------------

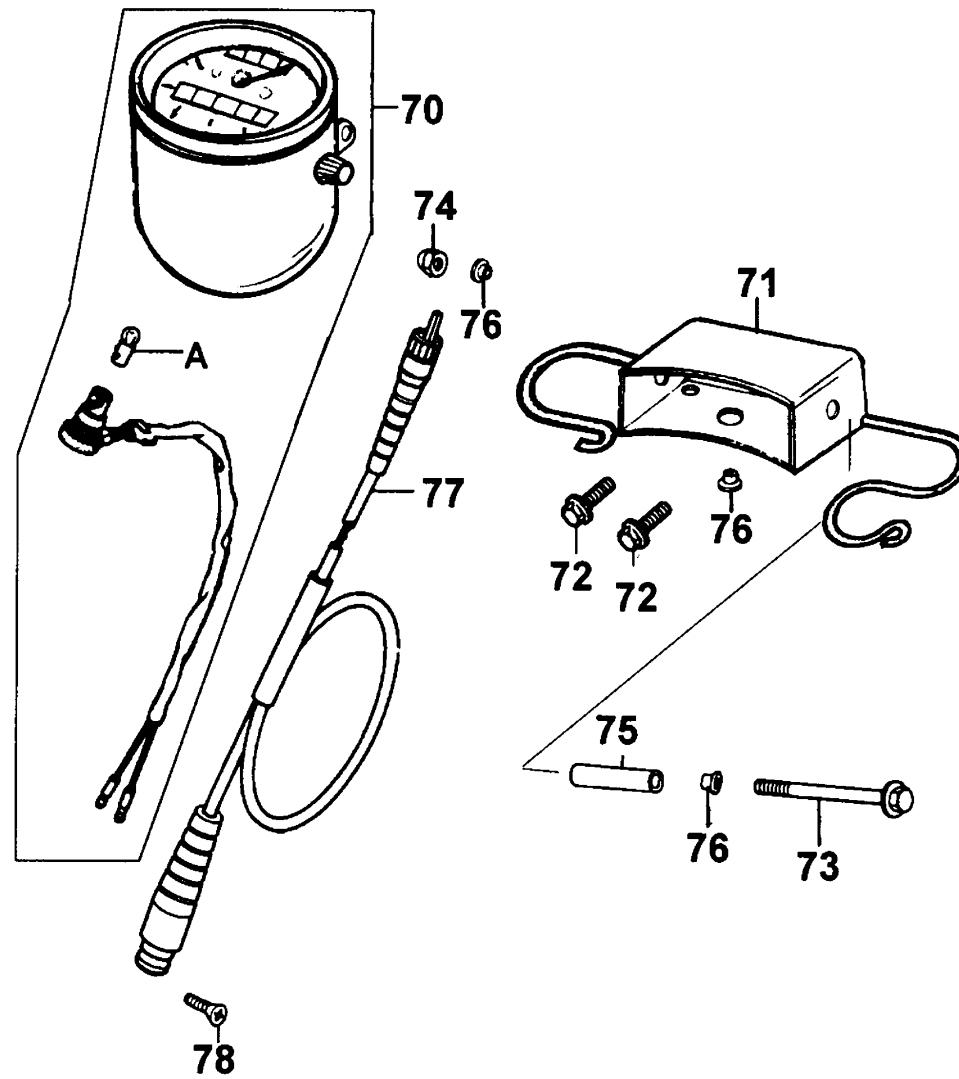
8	Z062-0060	Z062-0060	FLOAT VALVE SET	FLOAT VALVE SET	1	
---	-----------	-----------	-----------------	-----------------	---	--

F01

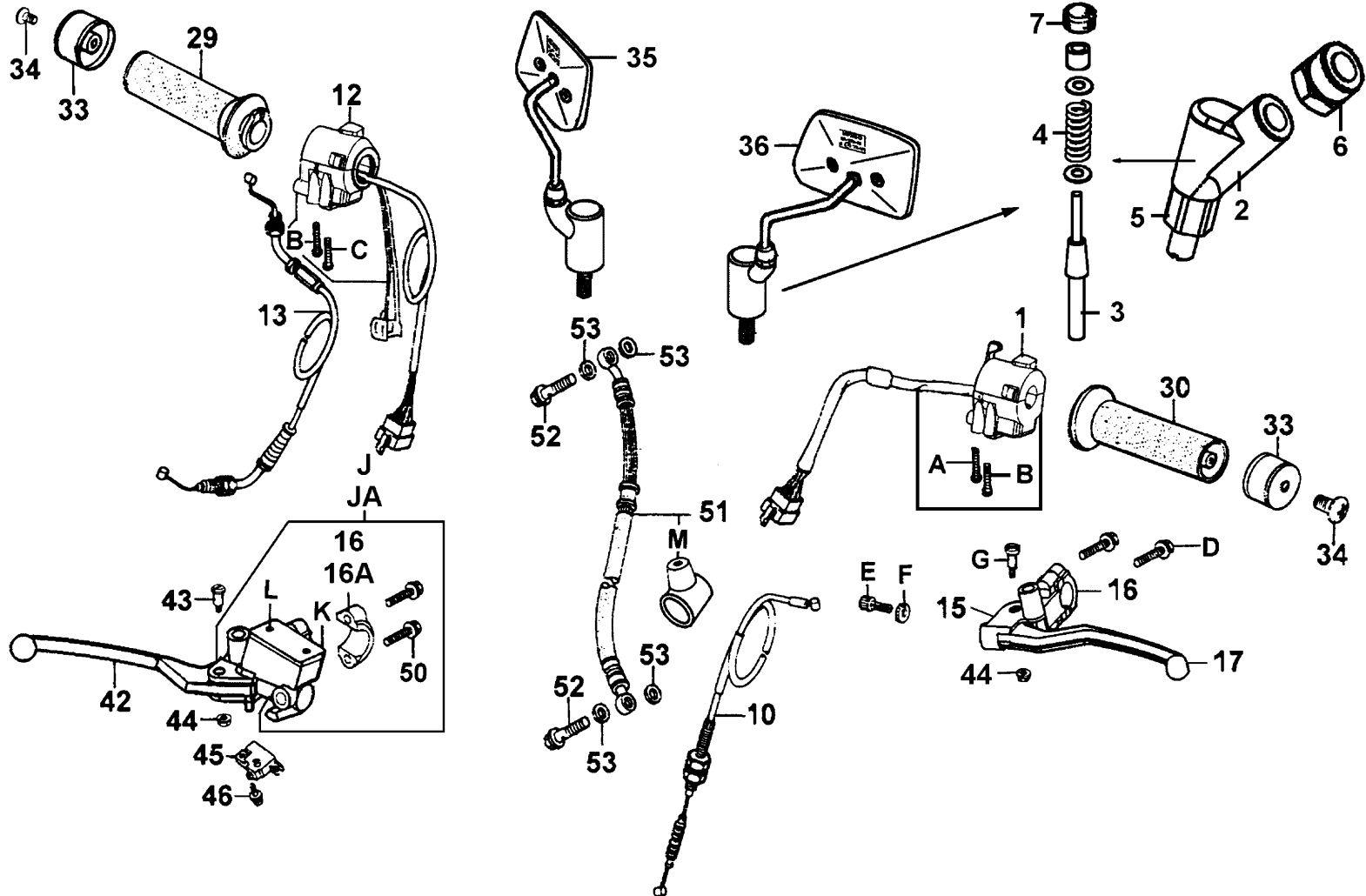
Head Light



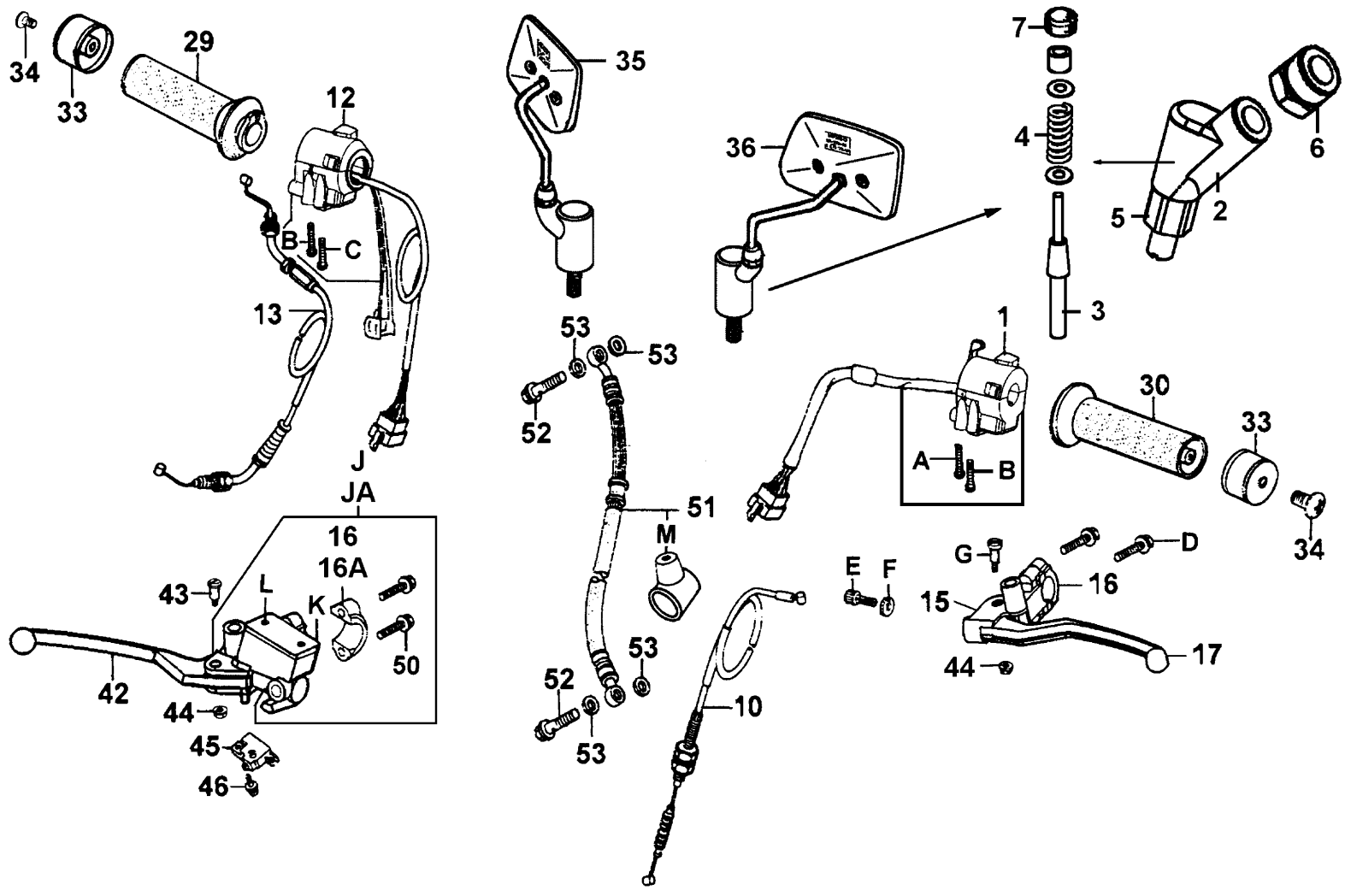
Sales mark	Ref no	Part no	Description	Reg description	Regd no	F01
A		33100-KKA8-900	LIGHT ASSY HEAD	LIGHT ASSY HEAD	1	
D		33101-KKA8-900	LENS HEAD LIGHT	LENS HEAD LIGHT	1	
E		33102-KKA8-900	EAASE HEAD LIGHT	EAASE HEAD LIGHT	1	
F		33103-KKA8-900	REFLECTOR HEAD LIGHT	REFLECTOR HEAD LIGHT	1	
G		33104-KKA8-900	RIM	RIM	1	
60		3310A-KKA8-900	HEAD LIGHT SET	HEAD LIGHT SET	1	
H		33130-KKA8-900	SOCKET COMP	SOCKET COMP	1	
B		34901-KKA8-900	BULB HEAD LIGHT (12V35/35W)	BULB HEAD LIGHT (12V35/35W)	1	
C		34903-KPCP-900	BULB POSITION	BULB POSITION	1	
J		61311-KKAK-900	BRKT HEAD LIGHT	BRKT HEAD LIGHT	1	
61		94050-06080	NUT FLANGE 6MM	NUT FLANGE 6MM	2	



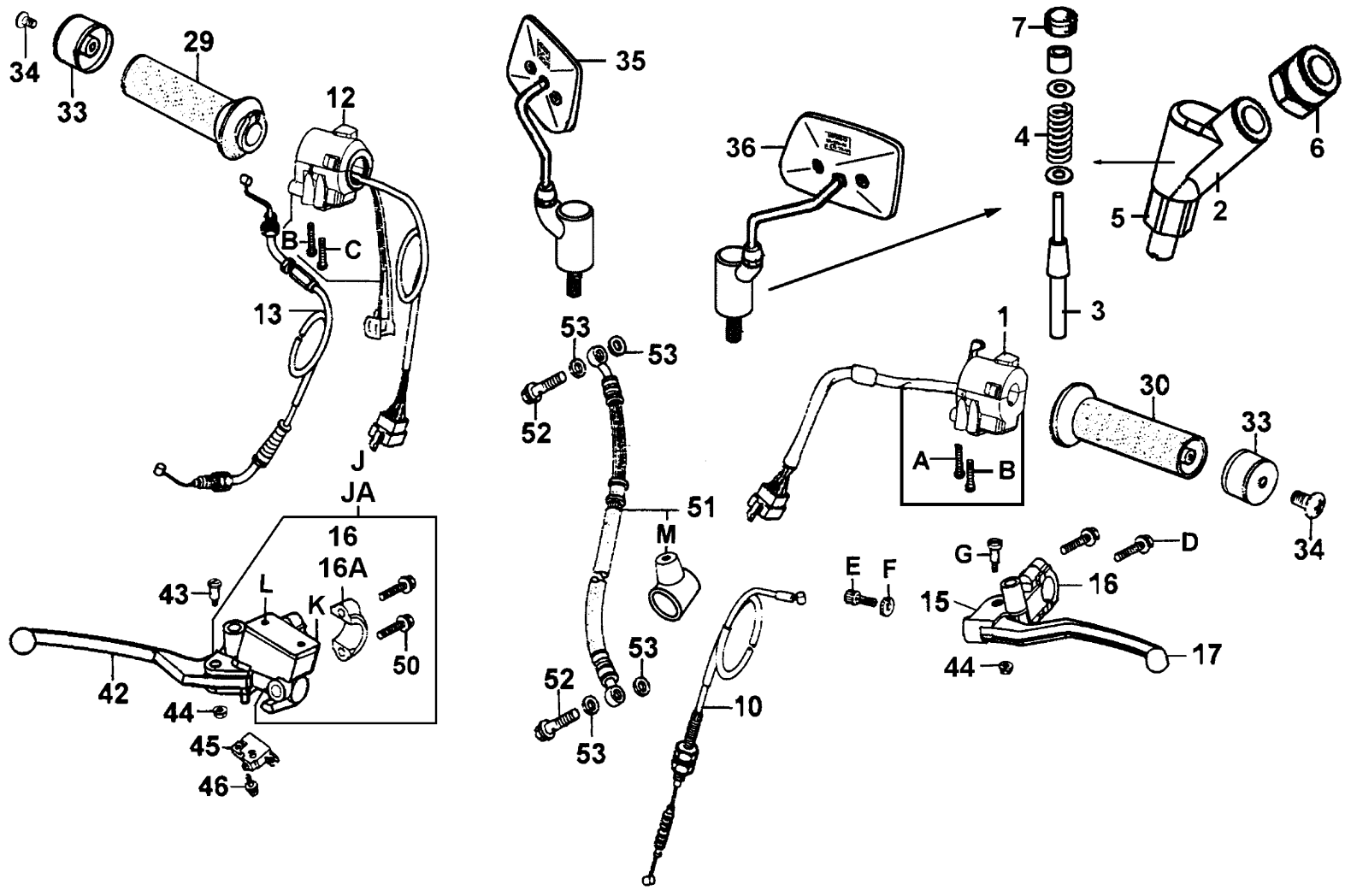
Sales mark	Ref no	Part no	Description	Reg description	Regd no	F02
A		34908-MKB9-87A	BULB WEDGE BASE	BULB WEDGE BASE	1	
70		37200-KKA7-E00	METER ASSY SPEED	METER ASSY SPEED	1	
77		44830-KKA8-900	CABLE ASSY SPEEDOMETER	CABLE ASSY SPEEDOMETER	1	
71		61312-KKA8-900	STAY SPEEDEMETER	STAY SPEEDEMETER	1	
76		61314-KKA8-900	GROMMET SPDMT	GROMMET SPDMT	3	
75		64313-KKAK-900	COLLAR SPDMT	COLLAR SPDMT	1	
78		93700-05016-0A	SCREW OVAL 5*16	SCREW OVAL 5*16	1	
74		94021-06020-0S	NUT HEX CAP 6MM	NUT HEX CAP 6MM	1	
72		95701-06012-08	BOLT FLANGE 6*12	BOLT FLANGE 6*12	2	
73		96001-06060-02	BOLT FLANGE 6*60	BOLT FLANGE 6*60	1	



Sales mark	Ref no	Part no	Description	Reg description	Regd no	F03
13		17910-KKA8-900	CABLE COMP THROT	CABLE COMP THROT	1	
10		22870-KKA8-900	CABLE COMP CLUTCH	CABLE COMP CLUTCH	1	
12		3515A-KKA8-900	SW ASSY RH HANDLE COMP	SW ASSY RH HANDLE COMP	1	
1		3520A-KKA8-900	SW ASSY LH HANDLE COMP	SW ASSY LH HANDLE COMP	1	
45		35340-KNBN-901	SW ASSY FR STOP	SW ASSY FR STOP	1	
51		45126-KKA8-900	HOSE ASSY FR BRK	HOSE ASSY FR BRK	1	
K		45513-KKA8-900	CAP M/C	CAP M/C	1	
16		45517-KKA8-900	HOLDER M/C	HOLDER M/C	2	
16A		45517-KKAK-900	HOLDER M/C	HOLDER M/C	2	
M		45522-4B22-010	BOOT MASTER CYLINDER	BOOT MASTER CYLINDER	1	
J		45530-KKA8-305	CYLINDER SET FR MASTER	CYLINDER SET FR MASTER	1	
JA		45530-KKAK-306	CYLINDER SET FR MASTER	CYLINDER SET FR MASTER	1	
29		53140-KKA8-900	GRIP COMP TUROT	GRIP COMP TUROT	1	
33		53143-KKAK-900	CAP HANDLE GRIP	CAP HANDLE GRIP	2	
30		53150-KKA8-900	GRIP COMP L HANDLE	GRIP COMP L HANDLE	1	
15		53172-KKA8-900	BRKT HANDLE L	BRKT HANDLE L	1	
**	42	53175-KKA8-900	LEVER R STRG HNDL	LEVER R STRG HNDL	1	
**	17	53178-KKA8-900	LEVER L STRG HNDL	LEVER L STRG HNDL	1	
E		53192-KKAK-900	BOLT WIRE ADJUST	BOLT WIRE ADJUST	1	
35		88110-KKA8-900	MIRROR ASSY R BACK	MIRROR ASSY R BACK	1	



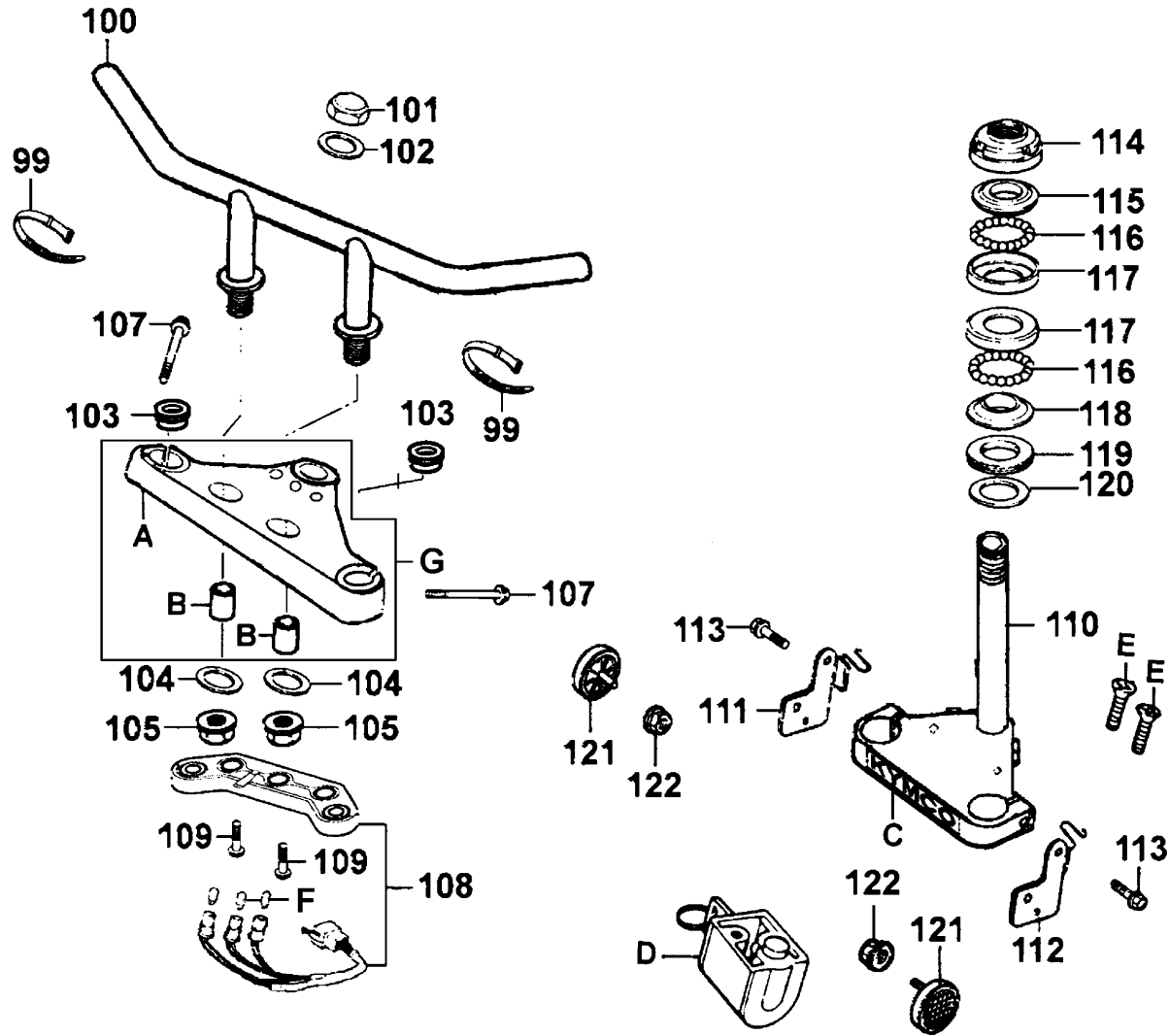
Sales mark	Ref no	Part no	Description	Reg description	Regd no	F03
2		88115-KKA8-900	BRA CKET MIRROR	BRA CKET MIRROR	2	
3		88117-KKA8-900	SPECIAL BOLT	SPECIAL BOLT	2	
4		88118-KHD8-900	SPRING(A)	SPRING(A)	2	
5		88118-KKA8-900	HEX NUT B	HEX NUT B	2	
36		88120-KKA8-900	MIRROR ASSY L BACK	MIRROR ASSY L BACK	1	
6		88134-KKA8-900	NUT LUCK	NUT LUCK	2	
7		88210-KHD8-900	CAP MIRROR BRACKET	CAP MIRROR BRACKET	2	
G		90113-4B22-001	BOLT L STRG HNDL LEVER PIVOT	BOLT L STRG HNDL LEVER PIVOT	1	
43		90113-KKA8-900	BOLT L STEERING HANDLE	BOLT L STEERING HANDLE	1	
52		90145-MKS9-61A	OIL BOLT 10*22	OIL BOLT 10*22	2	
F		90321-KKAK-900	NUT FIXING	NUT FIXING	1	
53		90545-3L00-001	WASHER OIL BOLT	WASHER OIL BOLT	4	
C		93500-05022-1B	SCREW PAN 5*22	SCREW PAN 5*22	1	
A		93500-05025-1B	SCREW PAN 5*25	SCREW PAN 5*25	1	
B		93500-05032-1B	SCREW PAN 5*32	SCREW PAN 5*32	2	
L		93600-04012-1G	SCREW FLAT 4*12	SCREW FLAT 4*12	1	
34		93700-05025-1B	SCREW OVAL 5*25	SCREW OVAL 5*25	2	
46		93893-04012-18	SCREW WASHER 4*12	SCREW WASHER 4*12	1	
44		94050-06080	NUT FLANGE 6MM	NUT FLANGE 6MM	2	
D		96700-06022-10	SOCKET BOLT 6*22	SOCKET BOLT 6*22	2	



Sales mark	Ref no	Part no	Description	Reg description	Regd no	F03
------------	--------	---------	-------------	-----------------	---------	------------

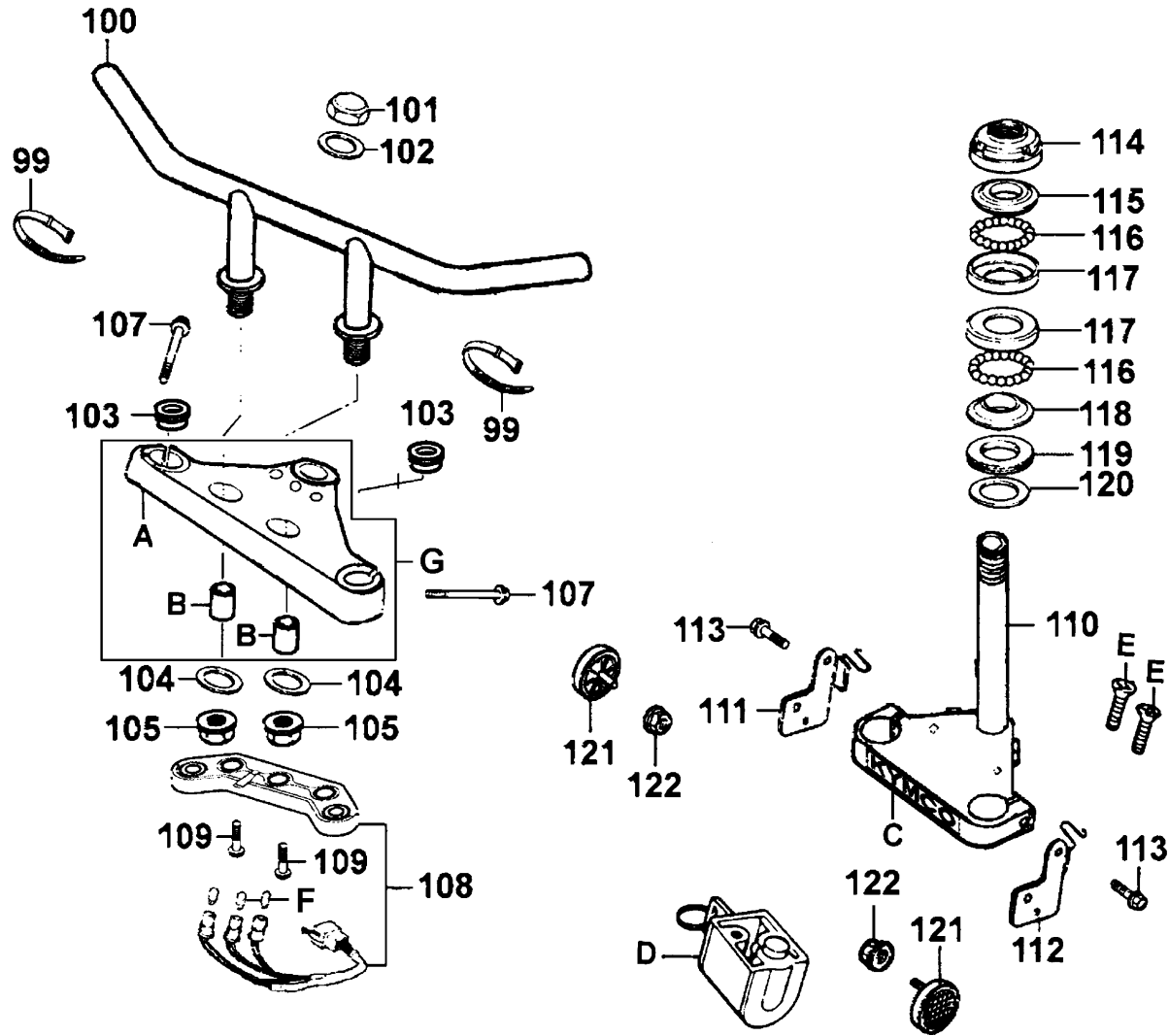
50	96700-KFA6-900	96700-KFA6-900	BOLT FLANGE 6*20	BOLT FLANGE 6*20	2	
----	----------------	----------------	------------------	------------------	---	--

Steering HandleStem

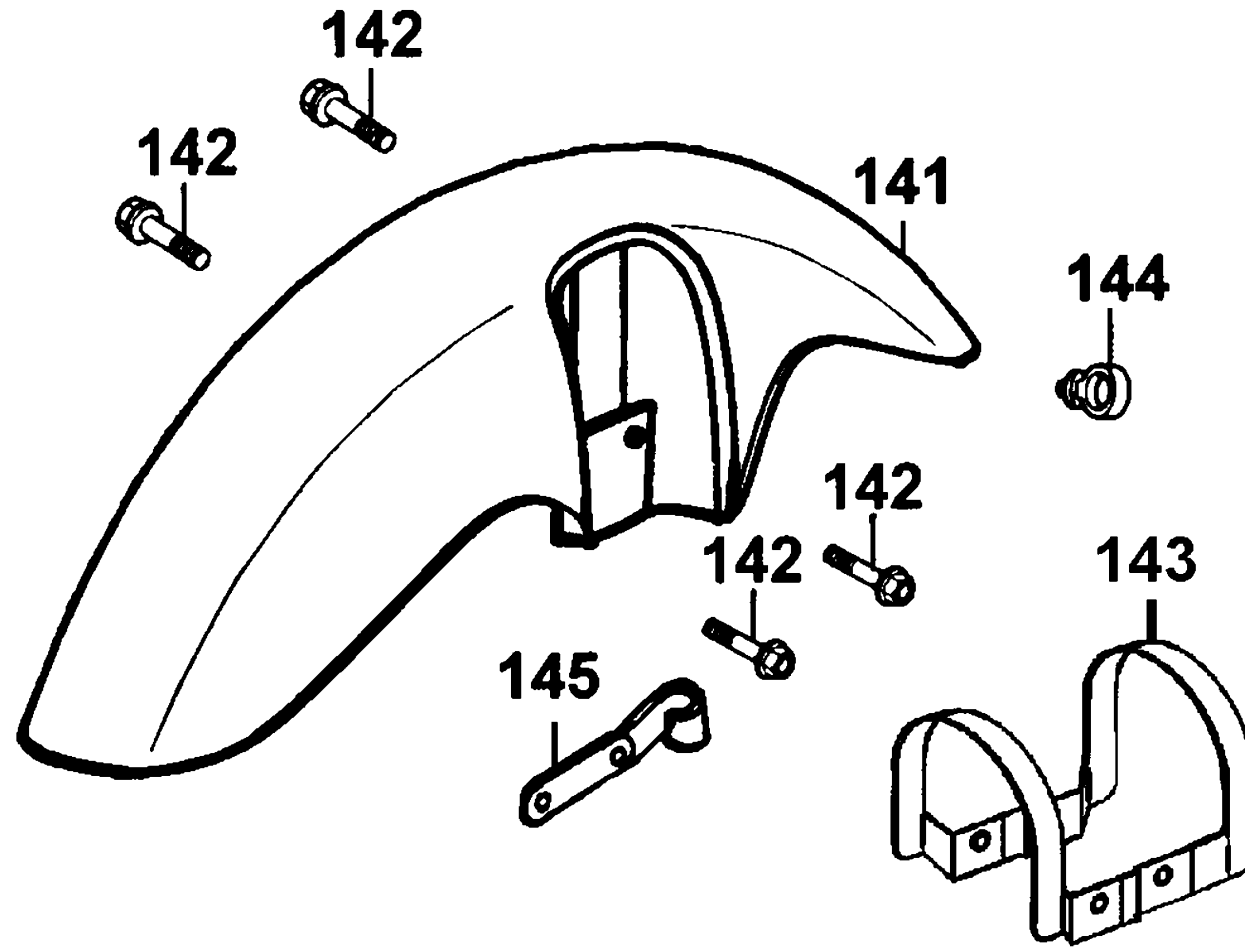


Sales mark	Ref no	Part no	Description	Reg description	Regd no	F04
	99	32161-4D04-001	BAND BI WIRE	BAND BI WIRE	2	
	121	33741-GFY6-C30	REFLEX REFLECTOR	REFLEX REFLECTOR	2	
	F	34908-KKAK-900	BULB WEDGE BASE T6.5(12V,1.7W)	BULB WEDGE BASE T6.5(12V,1.7W)	2	
#	108	37401-KEC2-800	PILOT LAMP COMP	PILOT LAMP COMP	1	
	117	50301-0A41-011	RACE STEERING BALL	RACE STEERING BALL	2	
B		52147-0H28-301	RUBBER BUSH REAR FORK PIVOT	RUBBER BUSH REAR FORK PIVOT	2	
	100	53100-KKA8-900	HANDLE COMP STRG	HANDLE COMP STRG	1	
	103	53101-KKA8-900	RUBBER HANDLE	RUBBER HANDLE	2	
	110	5320A-KKA7-E00	STEM ASSY STRG	STEM ASSY STRG	1	
	115	53211-0H28-011	RACE STRG TOP CONE	RACE STRG TOP CONE	1	
	118	53212-0L30-011	RACE STRG BOTTOM CONE	RACE STRG BOTTOM CONE	1	
	119	53214-0A01-011	DUST SEAL STRG HEAD	DUST SEAL STRG HEAD	1	
	120	53215-0A01-001	WASH STRG HDL DUST-SEAL	WASH STRG HDL DUST-SEAL	1	
	114	53220-KKAK-900	THREAD COMP STRG HD TOP	THREAD COMP STRG HD TOP	1	
A		53231-KKAK-900	BRIDGE FORK TOP	BRIDGE FORK TOP	1	
G		5323A-KKA8-900	BRIDGE ASSY FORK TOP	BRIDGE ASSY FORK TOP	1	
D		53600-KKAK-E0B	LOCK SET STRG HANDLE	LOCK SET STRG HANDLE	1	
**	C	87531-KKAK-900	MARK KYMCO	MARK KYMCO	1	
	104	90102-KKAK-900	WASHER HANDLE	WASHER HANDLE	2	
E		90164-0H28-900	SCREW FLAT U LOCK 6*12	SCREW FLAT U LOCK 6*12	2	

Steering HandleStem



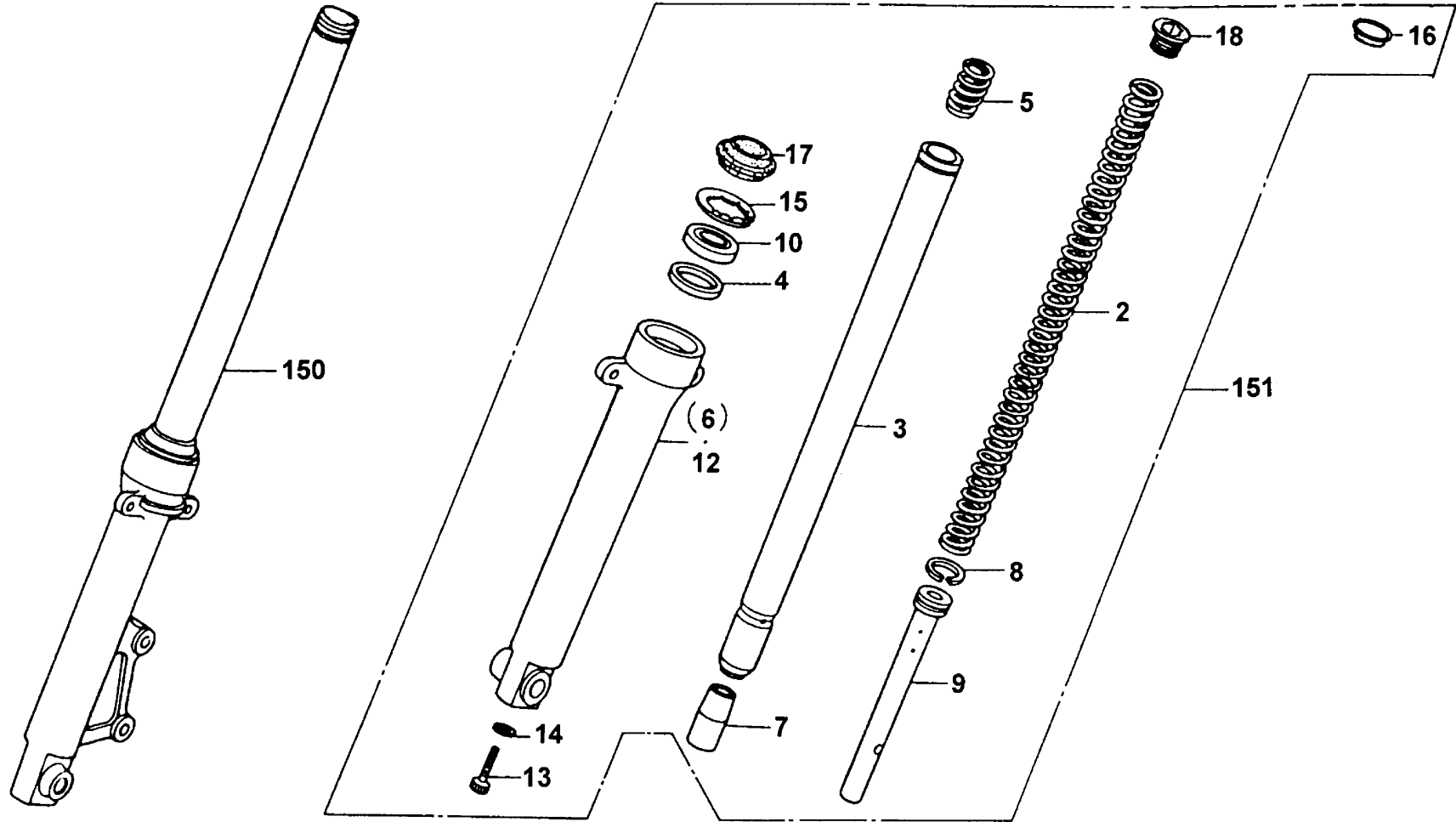
Sales mark	Ref no	Part no	Description	Reg description	Regd no	F04
122		90301-6D34-671	NUT FLANGE 6MM	NUT FLANGE 6MM	2	
101		90304-KKAK-900	NUT STRG STEM	NUT STRG STEM	1	
105		90306-KLF0-901	NUT FLANGE 12MM	NUT FLANGE 12MM	2	
102		90503-0A51-870	WASHER STEERING STEM NUT	WASHER STEERING STEM NUT	1	
112		90667-KKAK-C00	GUIDE METER CABLE	GUIDE METER CABLE	1	
111		90668-KKA7-E00	GUIDE FR BRAKE HOSE	GUIDE FR BRAKE HOSE	1	
109		93500-04014-1G	SCREW PAN 4*14	SCREW PAN 4*14	2	
107		95801-08040-00	BOLT FLANGE 8*40	BOLT FLANGE 8*40	2	
113		95801-08040-08	BOLT FLANGE 8*40	BOLT FLANGE 8*40	2	
116		96211-06000	BALL STEEL 6#	BALL STEEL 6#	42	



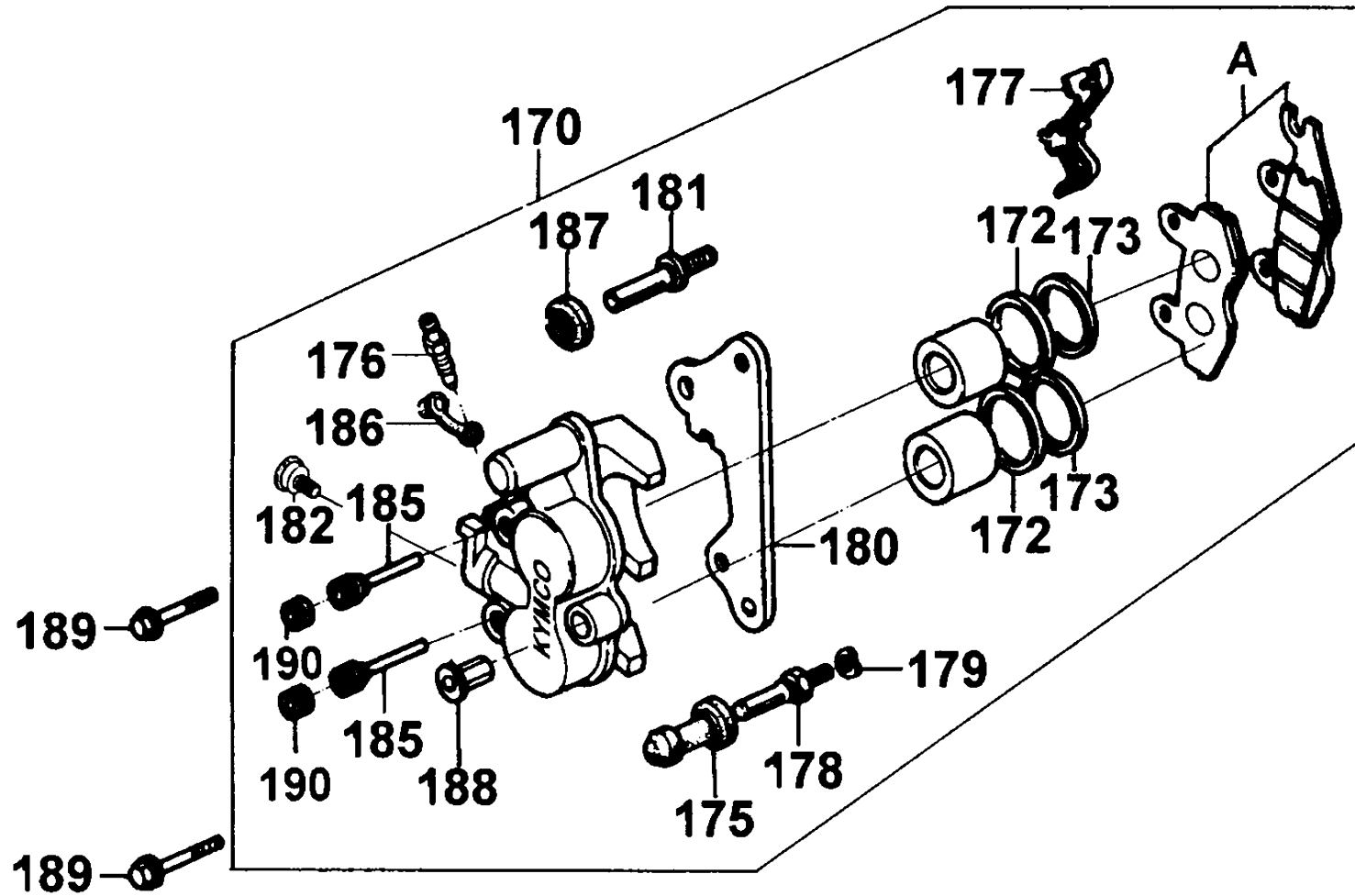
Sales mark	Ref no	Part no	Description	Reg description	Regd no	F05
	145	45127-KKA8-900	CLAMPER BRK HOSE	CLAMPER BRK HOSE	1	
	144	45451-4A71-001	GROMMET WIRE	GROMMET WIRE	1	
	143	51409-KKA8-900	STAY FR FENDER	STAY FR FENDER	1	
**	141	61100-KKA8-900	FENDER SET FR	FENDER SET FR	1	
	142	95701-06020-08	SCREW FLANGE 6*20	SCREW FLANGE 6*20	4	

F06

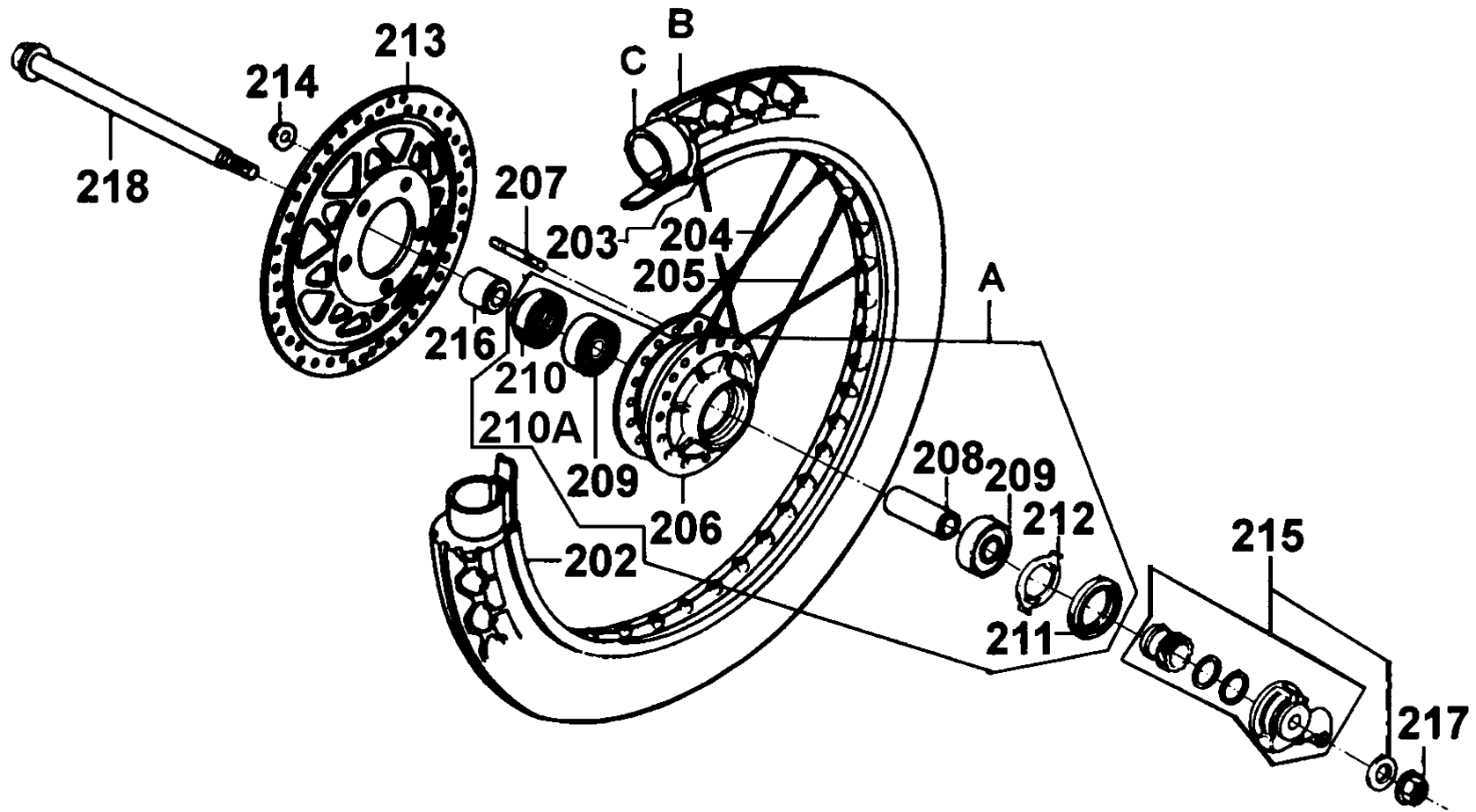
Front Fork



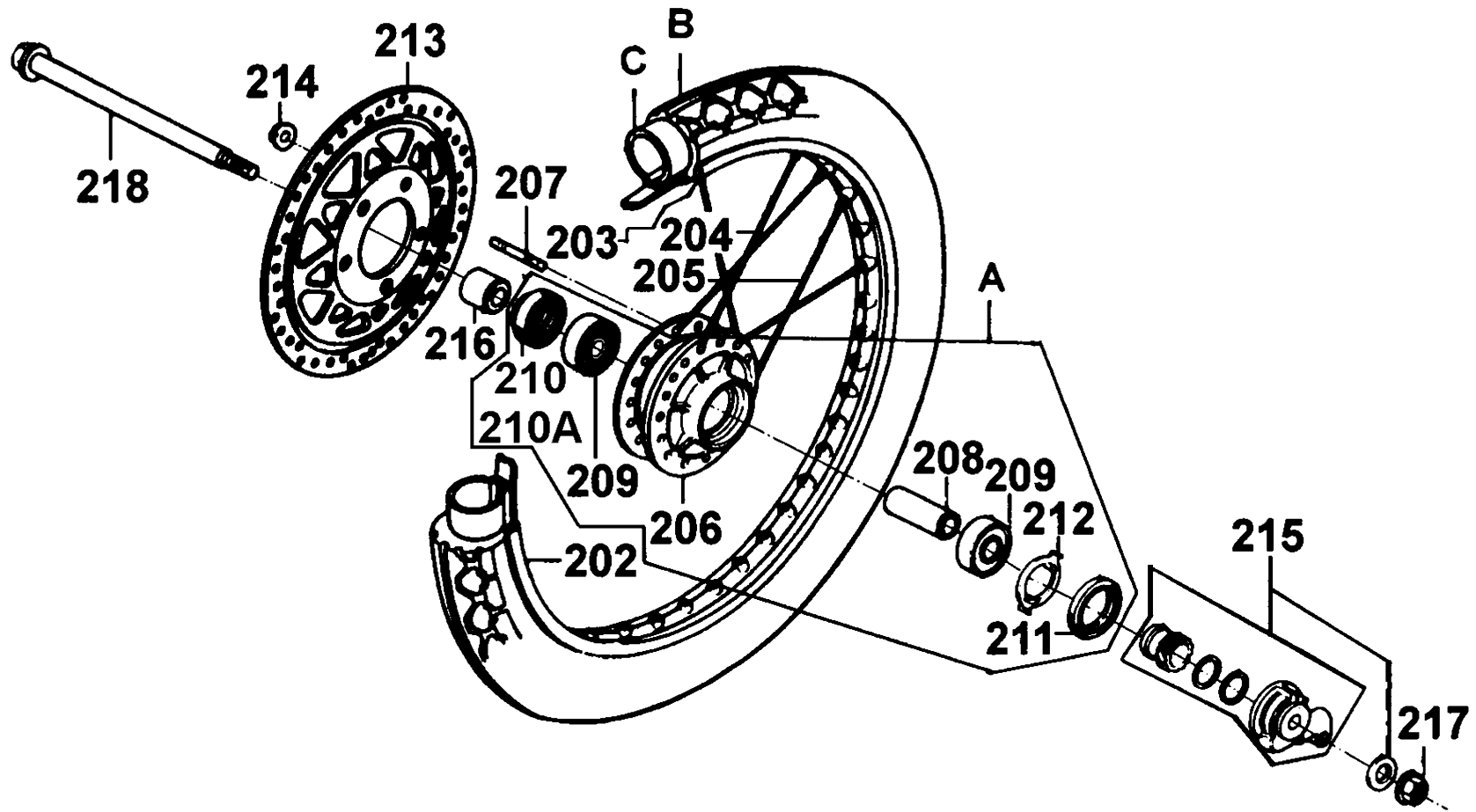
Sales mark	Ref no	Part no	Description	Reg description	Regd no	F06
**	150	51400-KEC2-E00	FORK ASSY R FRONT	FORK ASSY R FRONT	1	
	2	51401-KKAK-900	SPRING	SPRING	2	
	16	51402-KKAK-900	FORK BOLT CAP	FORK BOLT CAP	2	
	3	51410-KKAK-900	FORK PIPE COMP	FORK PIPE COMP	2	
	5	51412-KKAK-900	REBOUND SPRING	REBOUND SPRING	2	
	6	51420-KKAK-900	BOTTOM CASE COMP RH	BOTTOM CASE COMP RH	1	
	7	51422-KKAK-900	OIL LUCK PIECE	OIL LUCK PIECE	2	
	10	51423-KKAK-900	OIL SEAL	OIL SEAL	2	
	4	51424-KKAK-900	SPACER	SPACER	2	
	17	51427-KKAK-900	DUST SEAL	DUST SEAL	2	
	15	51428-KKAK-900	OIL SEAL STOPPER RING	OIL SEAL STOPPER RING	2	
	9	51429-KKAK-900	PIPE SEAT COMP	PIPE SEAT COMP	2	
	**	151	51500-KEC2-E00	FORK ASSY L FRONT	1	
	12	51520-KKAK-900	BOTTOM CASE COMP LH	BOTTOM CASE COMP LH	1	
	13	90116-3C83-72A	BOLT	BOLT	2	
	14	90554-2C83-001	PACKING	PACKING	2	
	18	94605-KKAK-900	FORK BOLT	FORK BOLT	2	
	8	94608-30000	O-RING	O-RING	2	



Sales mark	Ref no	Part no	Description	Reg description	Regd no	F07
	176	43352-5H68-004	SCREW BLEEDER	SCREW BLEEDER	1	
	186	43353-4A61-77A	CAP BLEEDER	CAP BLEEDER	1	
	177	45108-MDL4-007	PAD SPG	PAD SPG	1	
	173	45109-GBE2-007	DUST SEAL	DUST SEAL	2	
	A	4510A-KFW6-900	PAD SET	PAD SET	1	
	178	45131-1F66-017	PIN BOLT	PIN BOLT	1	
	181	45131-GBE2-007	PIN BOLT A	PIN BOLT A	1	
	175	45132-1F66-017	BUSH BOOT PIN	BUSH BOOT PIN	1	
	187	45133-MCA3-007	BOOT B	BOOT B	1	
**	170	45200-KKAK-900	CALIPER ASSY FR	CALIPER ASSY FR	1	
	190	45203-MCG3-007	PLUG PIN	PLUG PIN	2	
	172	45209-GBE2-007	SEAL PISTON	SEAL PISTON	2	
	180	45210-KKAK-305	BRACKET FR	BRACKET FR	1	
	185	45215-KECE-900	PIN HANGER	PIN HANGER	2	
	179	45216-1F66-007	WASHER WAVE	WASHER WAVE	1	
	188	45216-KFW6-90A	TORQUE NUT	TORQUE NUT	1	
	182	45531-GAR1-951	PLUG	PLUG	1	
	189	95801-08025-00	BOLT FLANGE 8*25	BOLT FLANGE 8*25	2	

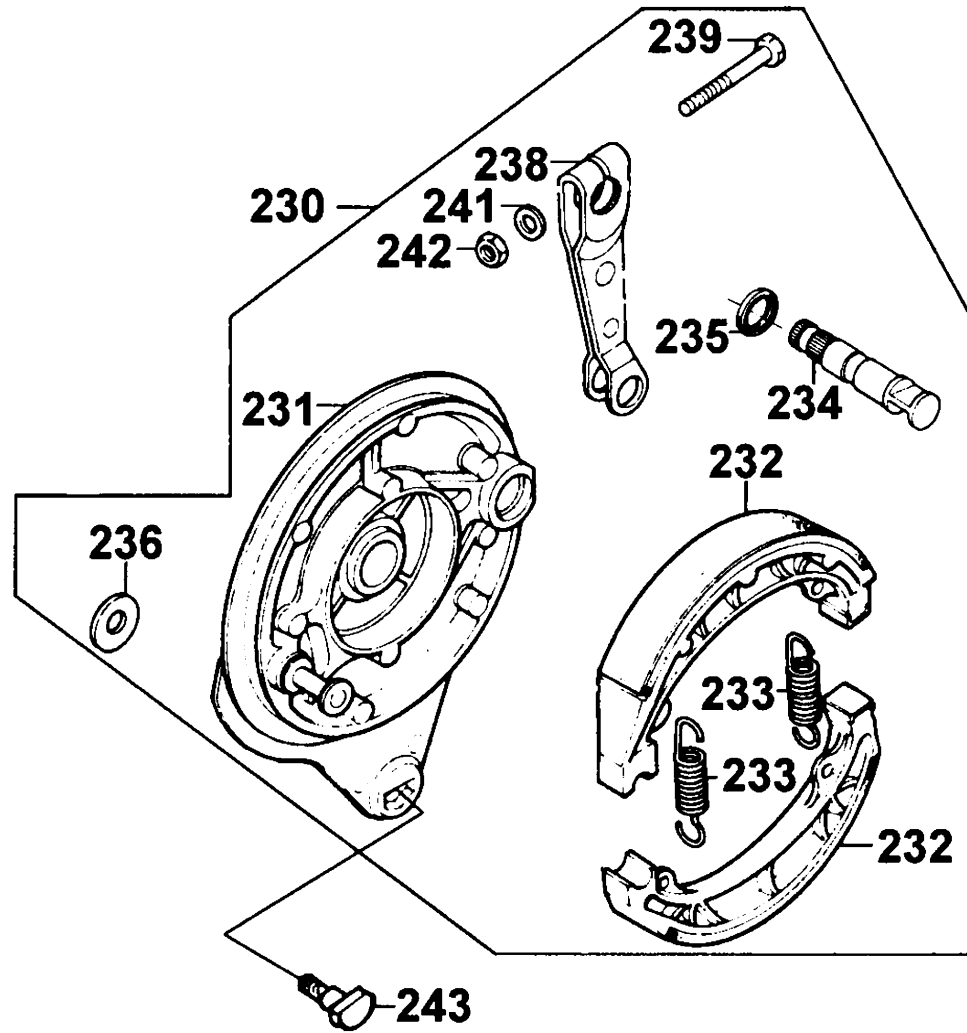


Sales mark	Ref no	Part no	Description	Reg description	Regd no	F08
	218	44301-KKC5-E00	AXLE FR WHEEL	AXLE FR WHEEL	1	
	216	44311-KKAK-900	COLLAR FR SIDE WHEEL	COLLAR FR SIDE WHEEL	1	
	A	44600-KGG7-306	WHEEL SET FR	WHEEL SET FR	1	
**	206	44601-KGG7-901	HUB COMP FR WHEEL	HUB COMP FR WHEEL	1	
	208	44620-4L00-001	COLLAR FR DIST	COLLAR FR DIST	1	
	212	44680-4L10-001	RETAINER GEAR BOX	RETAINER GEAR BOX	1	
	202	44701-KLAL-900	RIM FR WHEEL	RIM FR WHEEL	1	
	B	44710-KGAG-V00	TIRE ASSY FRONT	TIRE ASSY FRONT	1	
	C	44712-KGAG-V00	TUBE WHEEL FR	TUBE WHEEL FR	1	
	204	44721-KKAK-900	SPOKE A FR	SPOKE A FR	18	
	205	44722-KKAK-900	SPOKE B FR	SPOKE B FR	18	
	215	44800-KKAK-900	GEAR BOX ASSY SPDMT	GEAR BOX ASSY SPDMT	1	
**	213	45121-KKA8-900	DISK FRONT BRAKE	DISK FRONT BRAKE	1	
	214	90301-4C73-004	NUT U 6MM	NUT U 6MM	5	
	217	90306-GLW0-90A	NUT FLANGE 12MM	NUT FLANGE 12MM	1	
	210	91252-0L30-00A	OIL SEAL WHEEL 23*37*7	OIL SEAL WHEEL 23*37*7	1	
	210A	91252-0L30-00B	OIL SEAL WHEEL 23*37*7	OIL SEAL WHEEL 23*37*7	1	
	211	91258-4L10-00A	SEAL DUST 40*50*5	SEAL DUST 40*50*5	1	
	207	92912-06018-0E	BOLT STUD 6*18	BOLT STUD 6*18	5	
	209	96140-63010-10	BEARING BALL RADIAL 6301 U	BEARING BALL RADIAL 6301 U	2	



Sales mark	Ref no	Part no	Description	Reg description	Regd no	F08
------------	--------	---------	-------------	-----------------	---------	------------

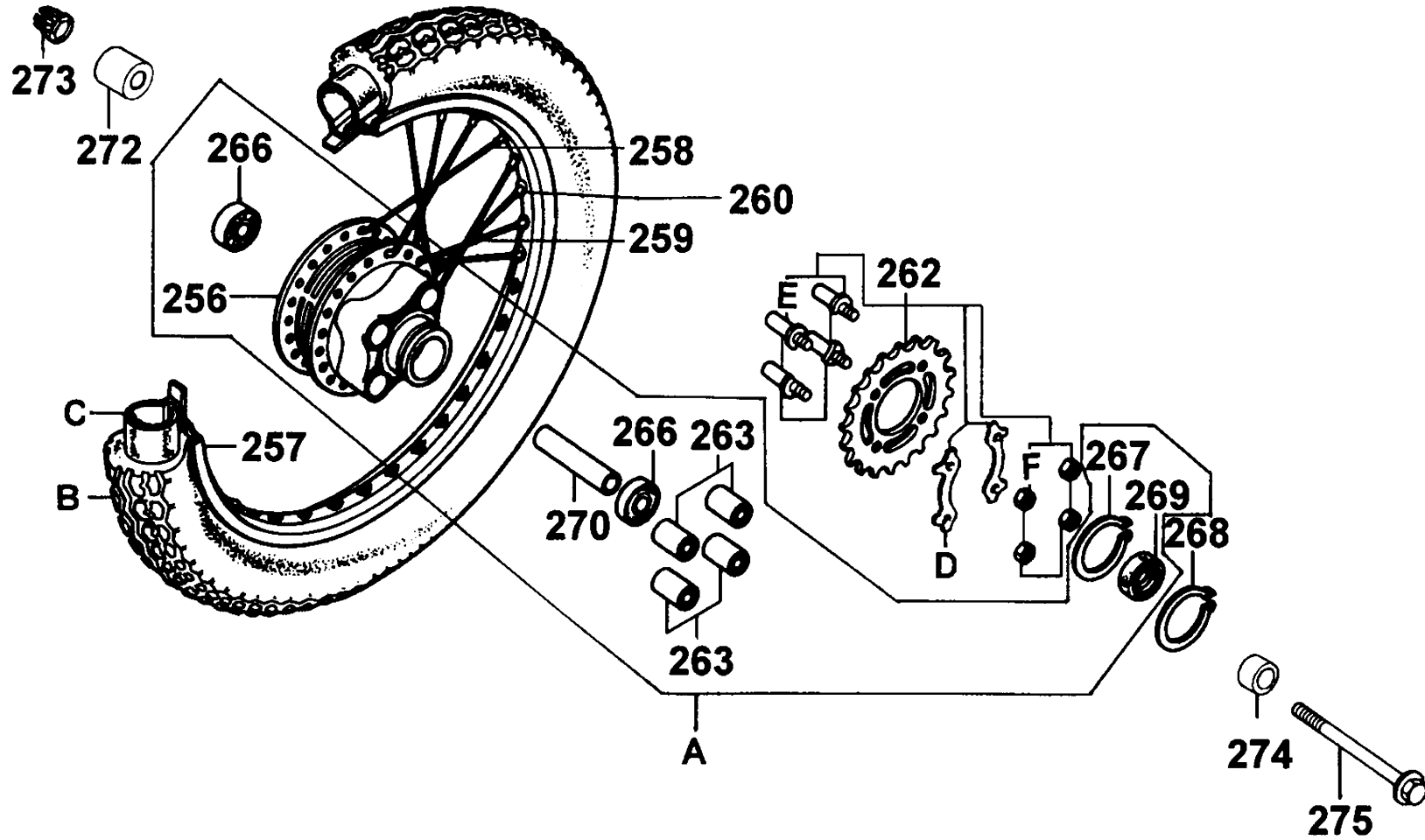
203	97000-KLAL-910	NIPPLE SPOKE 10#	NIPPLE SPOKE 10#		36	
-----	----------------	------------------	------------------	--	----	--



Sales mark	Ref no	Part no	Description	Reg description	Regd no	F09
**	230	43000-KKAK-901	PANEL ASSY REAR BRAKE	PANEL ASSY REAR BRAKE	1	
**	231	43100-KGG7-832	PANEL COMP REAR BRAKE	PANEL COMP REAR BRAKE	1	
	232	43120-KGG7-002	SHOE COMP REAR BRAKE	SHOE COMP REAR BRAKE	2	
	234	43141-KKAK-900	CAM REAR BRAKE	CAM REAR BRAKE	1	
	238	43410-KKAK-900	ARM REAR BRAKE	ARM REAR BRAKE	1	
	233	45133-2L40-001	SPRING FRONT BRAKE SHOE	SPRING FRONT BRAKE SHOE	2	
	235	45134-2L50-001	BRAKE CAM DUST SEAL	BRAKE CAM DUST SEAL	1	
	241	90525-KKAK-900	BRAKE ARM WASHER	BRAKE ARM WASHER	1	
	236	90549-1A21-001	WASHER PLAIN 14M/M	WASHER PLAIN 14M/M	1	
	239	92101-06036-0B	BOLT HEX 6*36	BOLT HEX 6*36	1	
	243	92811-KKAK-900	BOLT B STPR ARM	BOLT B STPR ARM	1	
	242	94001-06020-0S	NUT HEX 6MM	NUT HEX 6MM	1	

F10

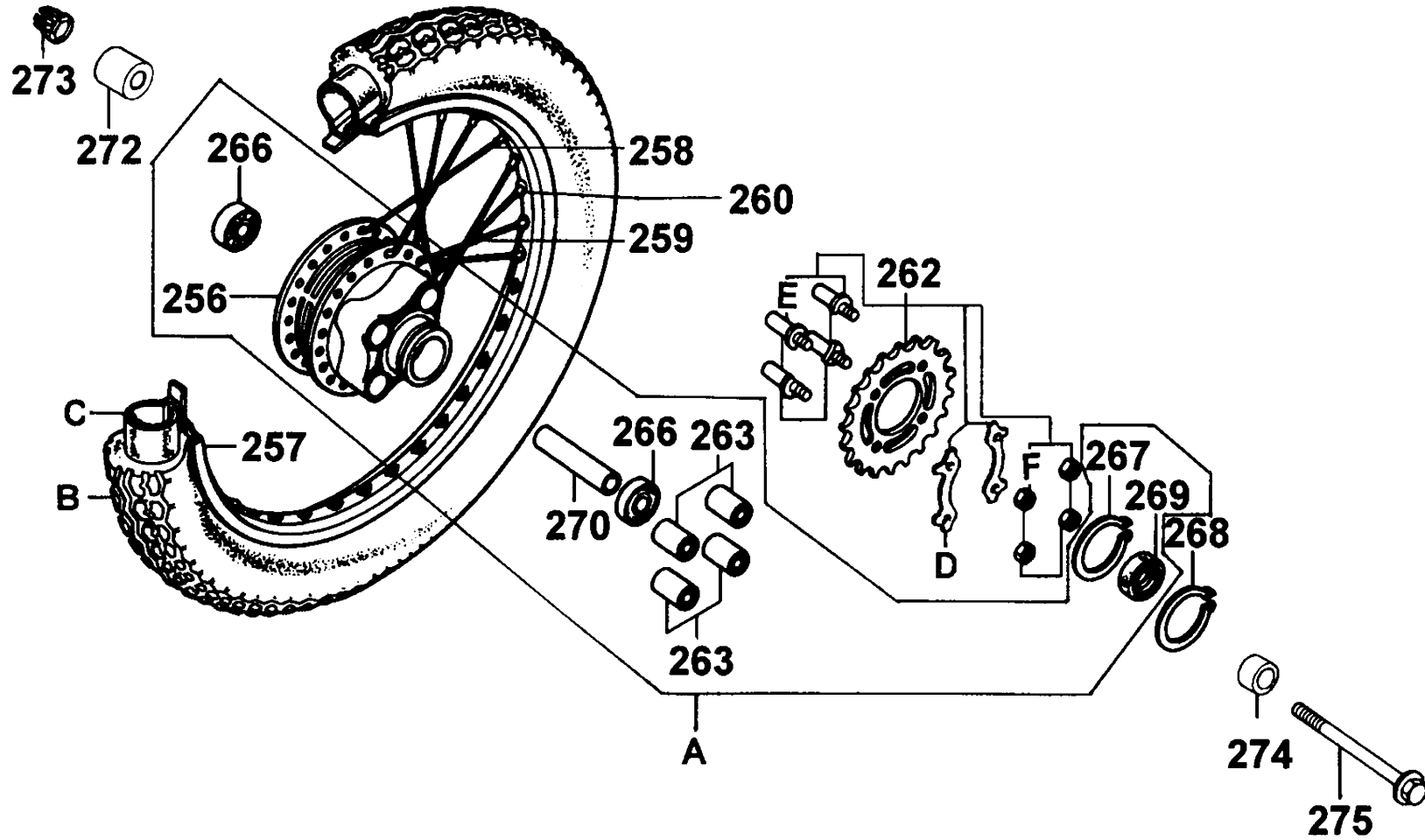
Rear Wheel



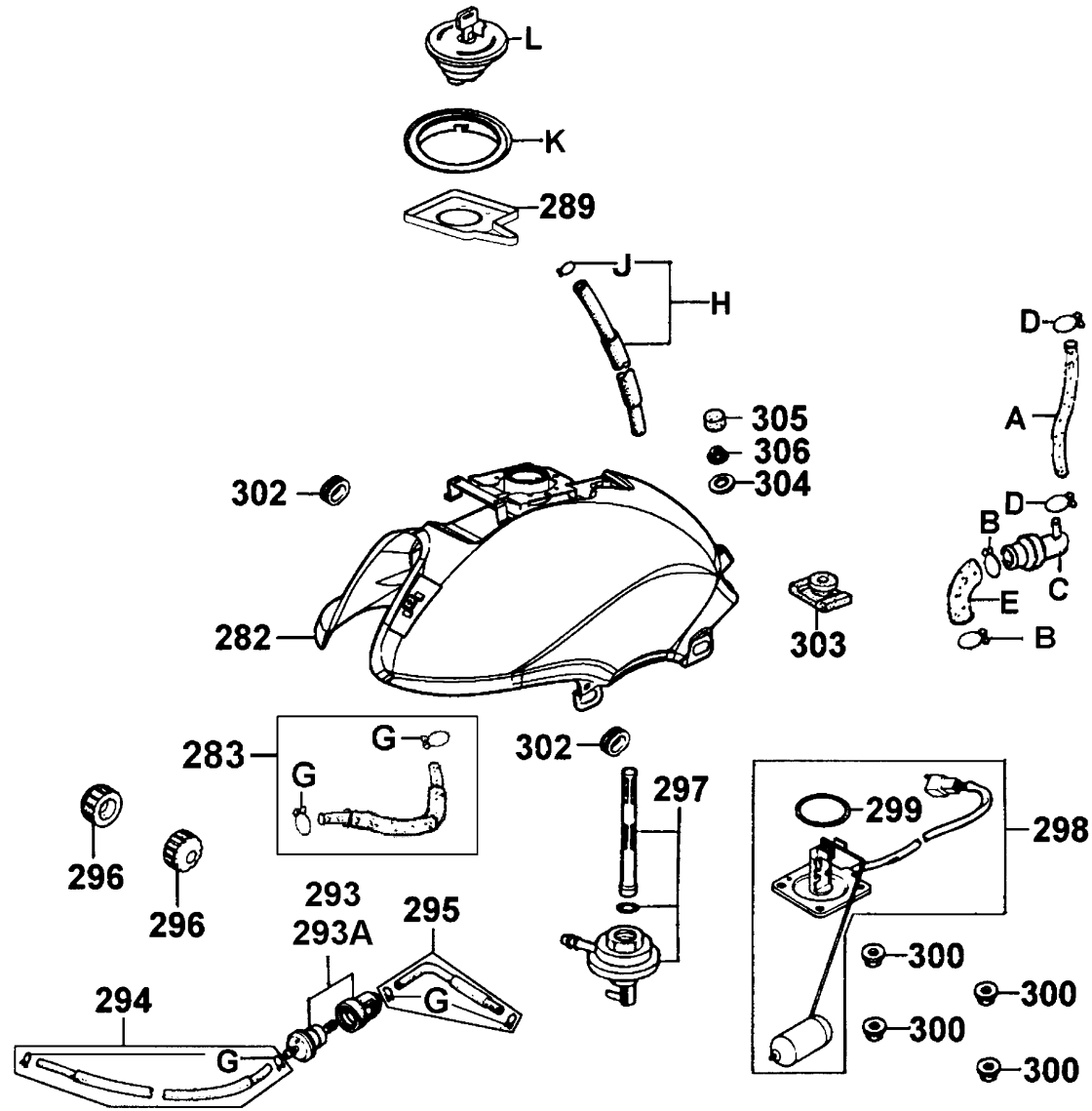
Sales mark	Ref no	Part no	Description	Reg description	Regd no	F10
	262	4120A-KEC2-900	SPROCKET ASSY	SPROCKET ASSY	1	
	263	41241-3G07-011	BUSH RR WHEEL DAMPER	BUSH RR WHEEL DAMPER	4	
	275	42301-KKAK-900	AXLE REAR WHEEL	AXLE REAR WHEEL	1	
	272	42311-KKAK-C10	COLLAR RR BRAKE PANEL SIDE	COLLAR RR BRAKE PANEL SIDE	1	
	274	42313-KKAK-900	COLLAR REAR HUB SIDE	COLLAR REAR HUB SIDE	1	
**	A	42600-KEC2-305	HUB SET RR WHEEL	HUB SET RR WHEEL	1	
**	256	42601-KEC2-900	HUB COMP REAR WHEEL	HUB COMP REAR WHEEL	1	
	270	42620-KEC2-900	COLLAR REAR AXLE DISTANCE	COLLAR REAR AXLE DISTANCE	1	
	257	42701-KKAK-90A	RIM REAR WHEEL	RIM REAR WHEEL	1	
	B	42711-KKAK-900	TIRE REAR	TIRE REAR	1	
	C	42712-KKAK-900	TUBE TIRE	TUBE TIRE	1	
	258	42721-KKAK-900	SPOKE A RR 8X120	SPOKE A RR 8X120	18	
	259	42722-KKAK-900	SPOKE B RR 8X119	SPOKE B RR 8X119	18	
	E	90128-KEC8-900	BOLT DRIVE SPROCKET SETTING	BOLT DRIVE SPROCKET SETTING	4	
	273	90305-KFW6-91A	NUT U FLANGE 16MM	NUT U FLANGE 16MM	1	
	D	90522-KEC2-900	WASHER TONQUED	WASHER TONQUED	2	
	267	90664-2F16-901	CIR CLIP 58MM	CIR CLIP 58MM	1	
	269	90757-4K39-931	DUST SEAL REAR WHEEL	DUST SEAL REAR WHEEL	1	
	F	94031-10000	NUT HEX 10MM	NUT HEX 10MM	4	
	268	94524-47000	CIR CLIP EX 47MM	CIR CLIP EX 47MM	1	

F10

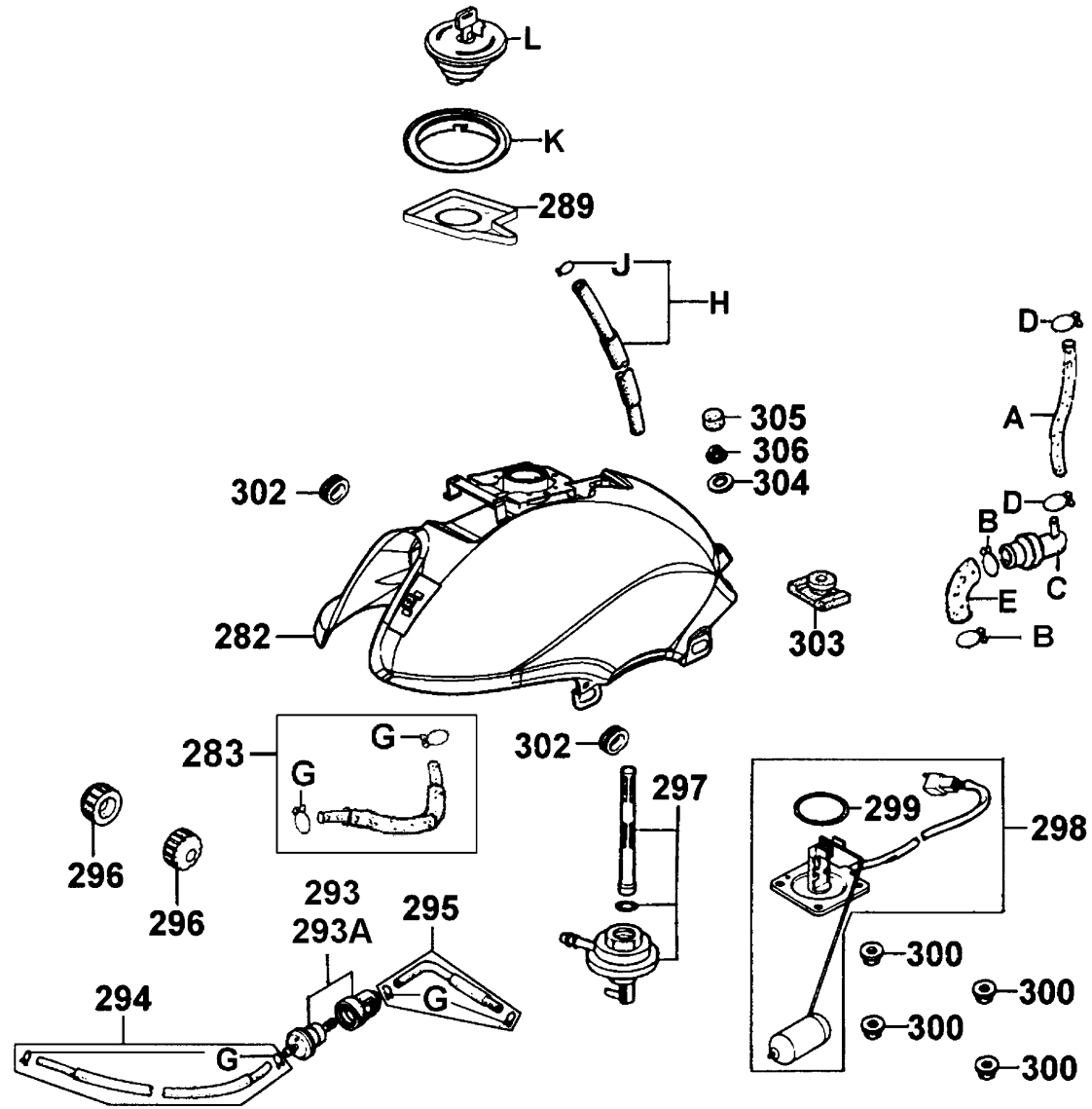
Rear Wheel



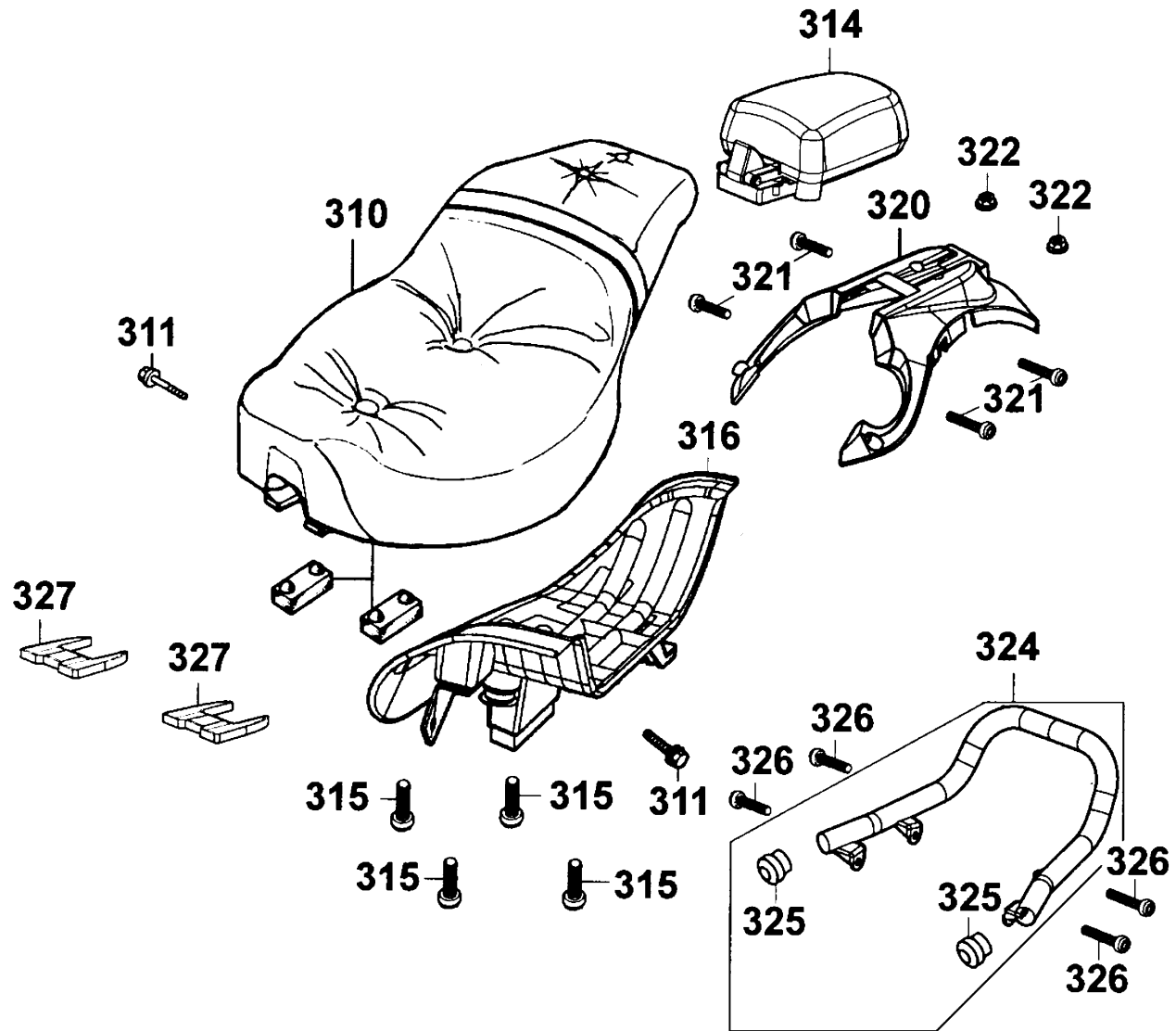
Sales mark	Ref no	Part no	Description	Reg description	Regd no	F10
	266	96140-63030-10	BEARING BALL RADIAL 6303U	BEARING BALL RADIAL 6303U	2	
	260	97000-KGG7-910	NIPPLE SPOKE 9#	NIPPLE SPOKE 9#	36	



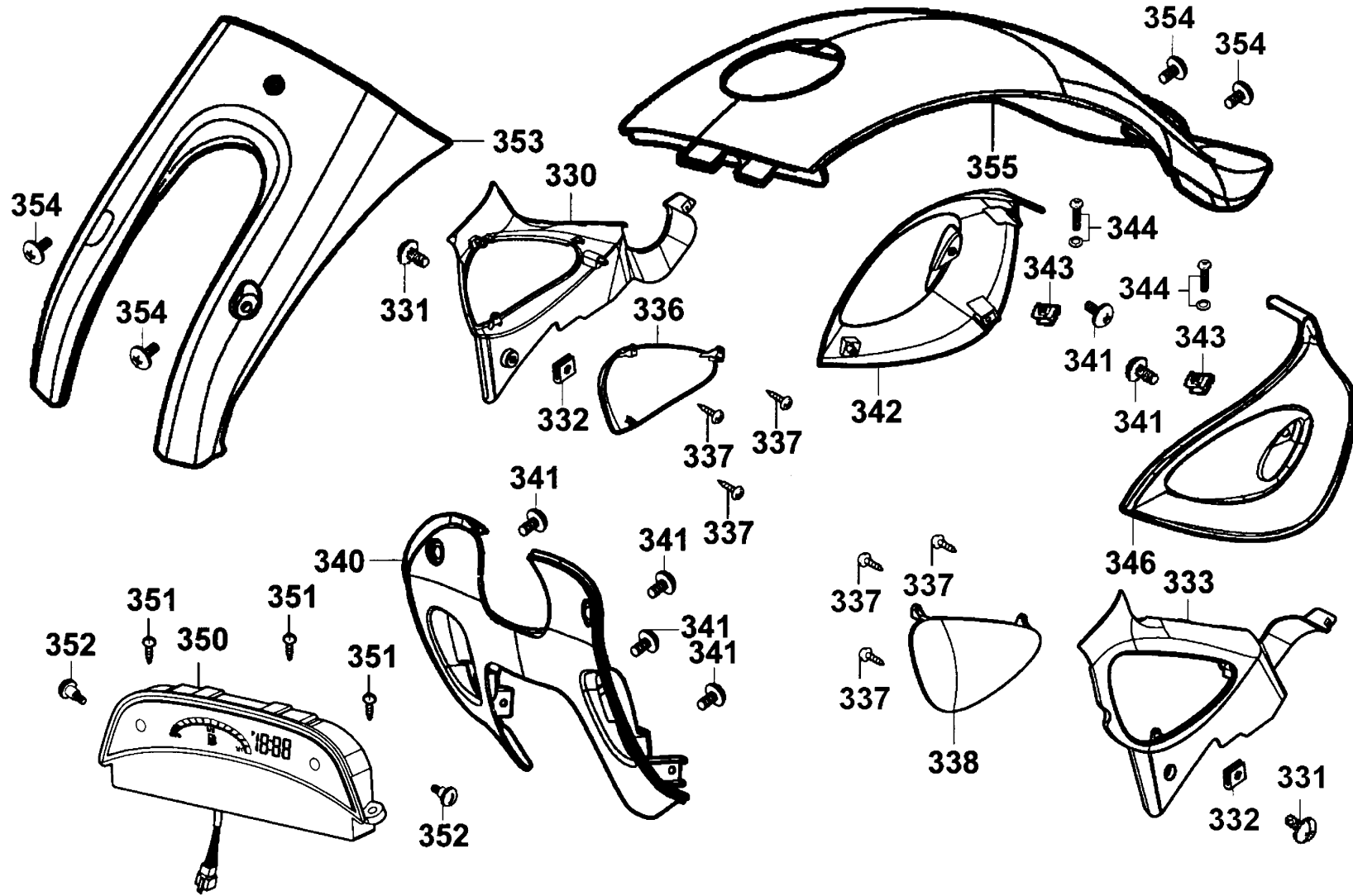
Sales mark	Ref no	Part no	Description	Reg description	Regd no	F11
A		11108-KGG7-901	TUBE B	TUBE B	1	
B		15772-2B92-011	CLIP BREATHER TUBE	CLIP BREATHER TUBE	2	
J		15772-5L00-013	CLIP B14.5 TUBE	CLIP B14.5 TUBE	1	
293		1691A-GFY6-90A	STRAINER ASSY FUEL	STRAINER ASSY FUEL	1	
293A		1691A-GFY6-90B	STRAINER ASSY FUEL	STRAINER ASSY FUEL	1	
297		16950-KEC2-80A	AUTO COCK ASSY FUEL	AUTO COCK ASSY FUEL	1	
294		16955-KEC2-800	TUBE COMP FUEL	TUBE COMP FUEL	1	
295		16956-KEC2-800	TUBE ASSY FUEL	TUBE ASSY FUEL	2	
302		17247-3C03-001	GROMMET A AIR CLEANER CASE	GROMMET A AIR CLEANER CASE	2	
C		17360-GAE1-901	CATCH TANK ASSY	CATCH TANK ASSY	1	
**	282	17500-KKA7-E00	TANK COMP FUEL	TANK COMP FUEL	1	
	289	17550-KKA8-900	TRAY FUEL CAP	TRAY FUEL CAP	1	
	296	17611-2F86-001	CUSHION FRONT FUEL TANK	CUSHION FRONT FUEL TANK	2	
	303	17613-KFW6-911	CUSH FUEL TANK RR	CUSH FUEL TANK RR	1	
L		17620-KKA7-305	CAP SET FUEL FILLER	CAP SET FUEL FILLER	1	
K		17623-KKA8-900	COLLAR FUEL CAP	COLLAR FUEL CAP	1	
	283	17687-KKA7-E00	TUBE BREATHER	TUBE BREATHER	1	
	298	3780A-KKA8-900	FUEL UNIT ASSY	FUEL UNIT ASSY	1	
	305	90136-KFW6-901	CAP BOLT TANK	CAP BOLT TANK	1	
	304	90501-GDT4-001	WASHER 8.5*32	WASHER 8.5*32	1	



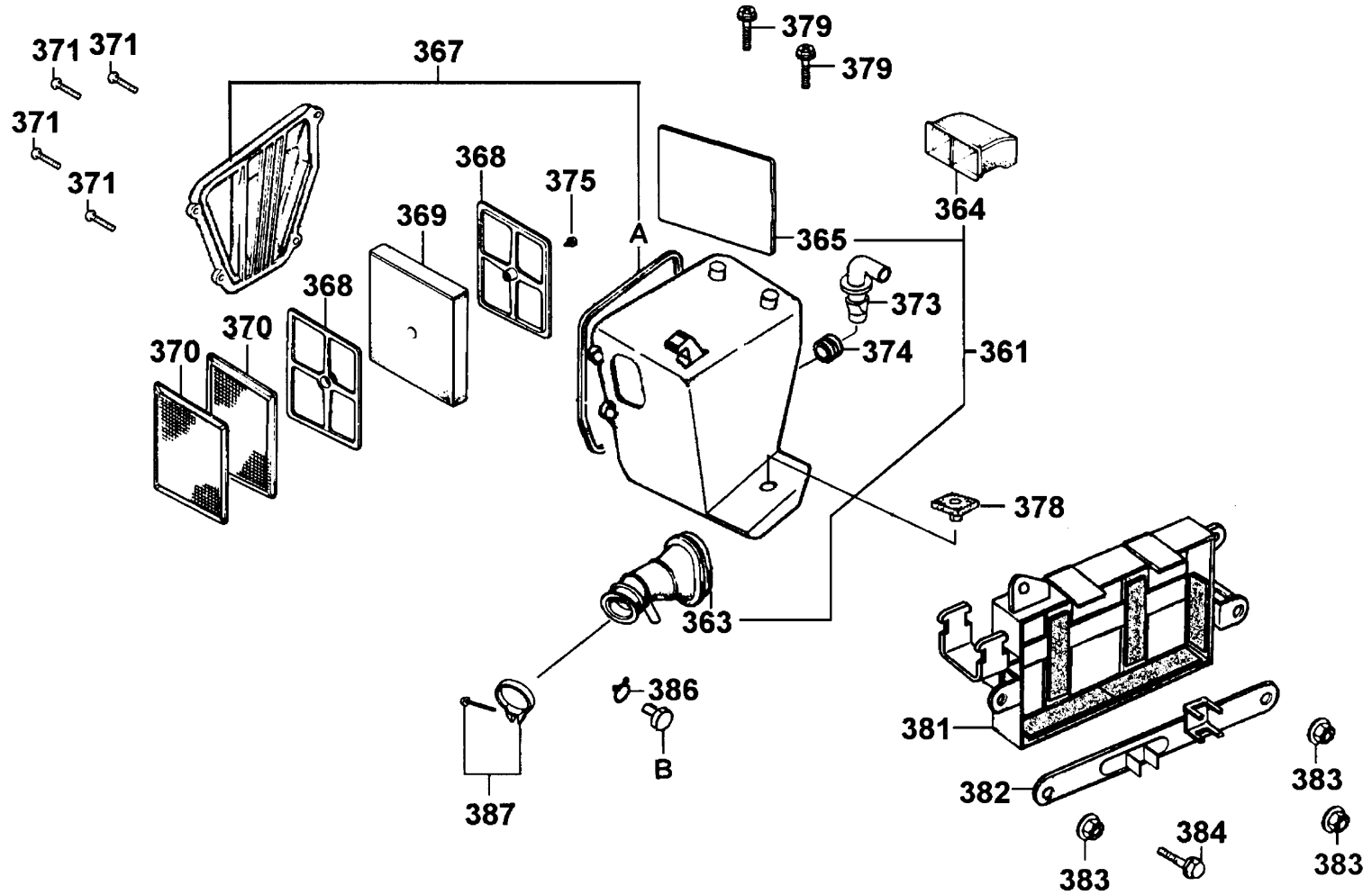
Sales mark	Ref no	Part no	Description	Reg description	Regd no	F11
	299	91305-MGC7-001	O-RING 39.5*5	O-RING 39.5*5	1	
	300	94050-06080	NUT FLANGE 6MM	NUT FLANGE 6MM	4	
	306	94050-08080	NUT FLANGE 8MM	NUT FLANGE 8MM	1	
	G	95002-02080	CLIP B8 TUBE	CLIP B8 TUBE	6	
	D	95002-02120	CLIP B12 TUBE	CLIP B12 TUBE	2	
	E	95005-KGG7-901	TUBE A	TUBE A	1	
	H	9500A-KKA8-900	TUBE ASSY FUEL	TUBE ASSY FUEL	1	



Sales mark	Ref no	Part no	Description	Reg description	Regd no	F12
**	310	77200-KKA8-900	SEAT COMP	SEAT COMP	1	
**	314	77210-KKA7-E00	SEAT ASSY REAR	SEAT ASSY REAR	1	
	316	77211-KKA7-900	BOTTOM PLATE SEAT RR	BOTTOM PLATE SEAT RR	1	
**	320	81200-KKA8-900	GRIP SIDE COMP	GRIP SIDE COMP	1	
	325	81201-KKA8-900	CAP RR GRIP END	CAP RR GRIP END	2	
	327	81203-KKA8-900	CUSHION RR SEAT	CUSHION RR SEAT	2	
	324	81300-KKA8-900	GRIP RR	GRIP RR	1	
	326	90105-KEC8-900	BOLT WASHER 8MM	BOLT WASHER 8MM	4	
	321	90105-KFC2-900	BOLT WASH 8*32	BOLT WASH 8*32	4	
	315	90106-KUDU-900	BOLT WASH 8*26	BOLT WASH 8*26	4	
	322	90301-6D34-671	NUT FLANGE 6MM	NUT FLANGE 6MM	2	
	311	95701-08020-08	BOLT FLANGE 8*20	BOLT FLANGE 8*20	2	



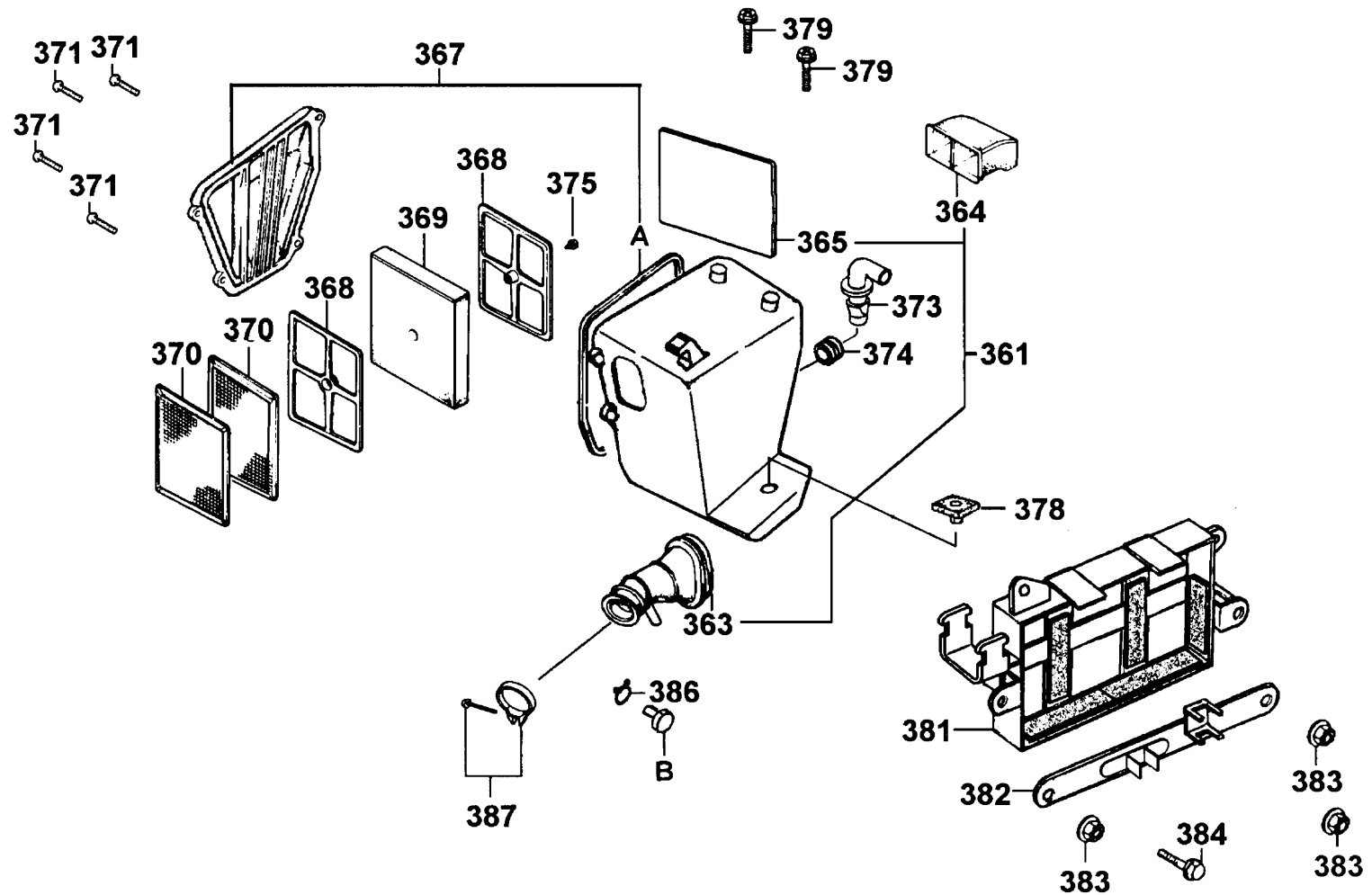
Sales mark	Ref no	Part no	Description	Reg description	Regd no	F13
**	355	17700-KKA8-900	COVER TANK CENTER	COVER TANK CENTER	1	
**	340	17710-KKA8-900	COWL CENTER	COWL CENTER	1	
**	342	17720-KKA8-900	COVER R TANK LOW	COVER R TANK LOW	1	
**	346	17730-KKA8-900	COVER L TANK LOW	COVER L TANK LOW	1	
**	353	37310-KKA8-900	COVER METER	COVER METER	1	
	350	37350-KKA8-900	FUEL & LOCK ASSY	FUEL & LOCK ASSY	1	
**	330	83540-KKA8-900	COVER A R SIDE	COVER A R SIDE	1	
	336	83541-KKA8-900	COVER B R SIDE	COVER B R SIDE	1	
**	333	83640-KKA8-900	COVER A L SIDE	COVER A L SIDE	1	
	338	83641-KKA8-900	COVER B L SIDE	COVER B L SIDE	1	
	352	90101-0G87-721	SCREW HEAD LIGHTT SET	SCREW HEAD LIGHTT SET	2	
	354	90102-KFW6-001	SPCIAL SCREW 5MM	SPCIAL SCREW 5MM	4	
	341	90110-GLW0-001	SCREW SPECIAL 6*14	SCREW SPECIAL 6*14	6	
	331	90112-MGC7-001	SCREW FAIRING SET	SCREW FAIRING SET	2	
	332	90302-SDA4-004	NUT SPRING 4MM	NUT SPRING 4MM	2	
	343	90677-GAR1-004	NUT CLIP 5MM	NUT CLIP 5MM	2	
	344	93891-05016-06	SCREW WASHER 5* 16	SCREW WASHER 5* 16	2	
	337	93903-34260	SCREW TAPPING 4*12	SCREW TAPPING 4*12	6	
	351	93903-34360	SCREW TAPPING 4*12	SCREW TAPPING 4*12	3	



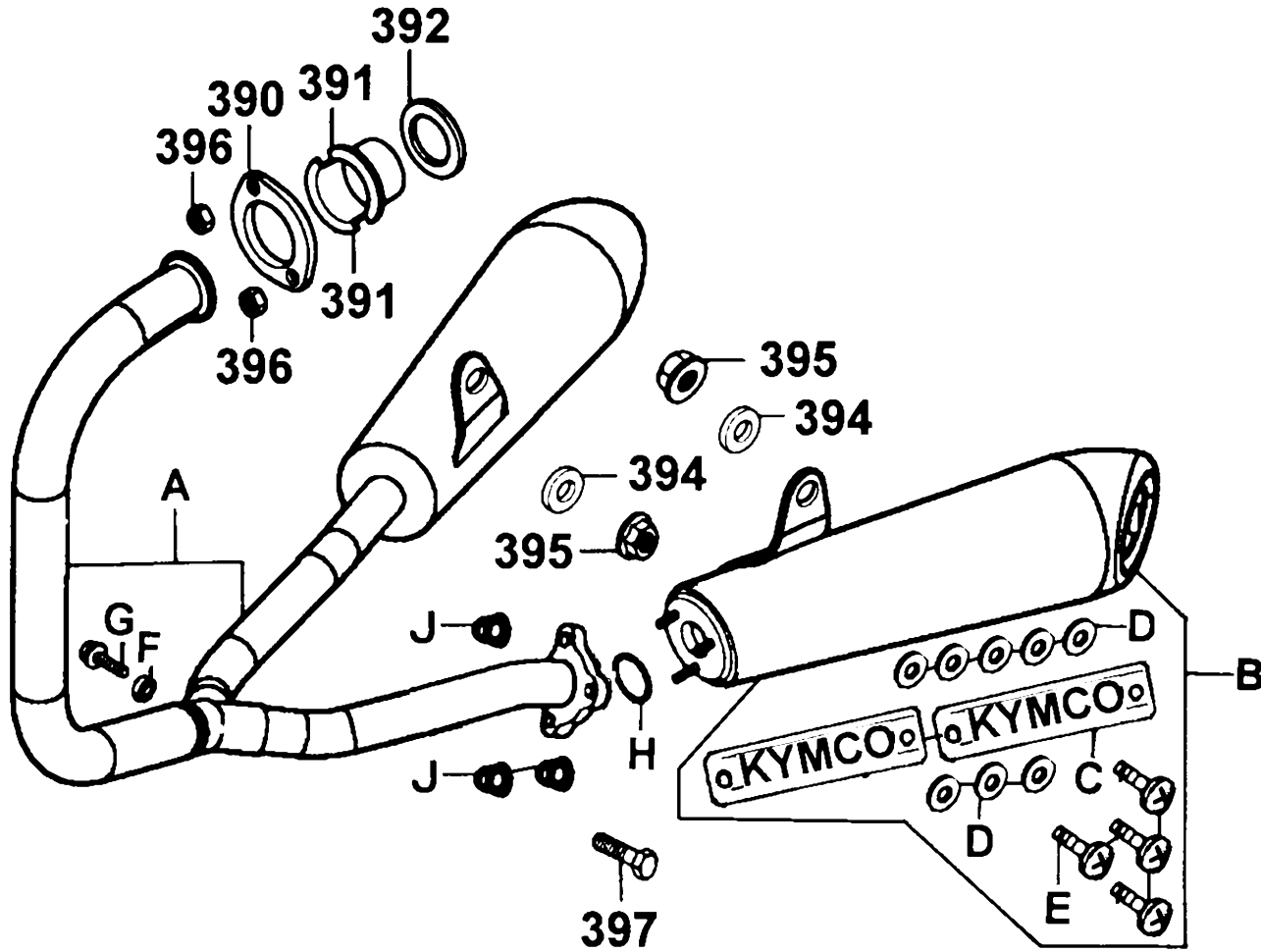
Sales mark	Ref no	Part no	Description	Reg description	Regd no	F14
369		17211-4K39-001	ELMENT AIR/C	ELMENT AIR/C	1	
364		17219-KHC6-C00	DUCT AIR	DUCT AIR	1	
370		17221-KGG7-001	TRAP COMP	TRAP COMP	2	
A		17226-KGG7-001	SEAL AIR/C	SEAL AIR/C	1	
367		1722A-KEC2-900	COVER ASSY AIR/C CASE	COVER ASSY AIR/C CASE	1	
361		1722B-KKA7-E00	CASE ASSY AIR/C	CASE ASSY AIR/C	1	
368		17231-4K39-001	PLATE ELEMENT SET	PLATE ELEMENT SET	2	
382		17233-KKA8-900	HINGE BATTERY BOX	HINGE BATTERY BOX	1	
365		17249-KKA7-E00	SEPARATOR AIR/C	SEPARATOR AIR/C	1	
363		17253-KEC2-800	TUBE AIR/C CONN	TUBE AIR/C CONN	1	
B		17254-KACA-P00	JOINT PURGE TUBE	JOINT PURGE TUBE	1	
373		17265-KGG7-001	JOINT BLOW BY	JOINT BLOW BY	1	
374		17266-KGG7-001	PACKING ACV JOINT	PACKING ACV JOINT	1	
381		50320-KKA7-E00	CASE COMP BATT	CASE COMP BATT	1	
378		83618-KGG7-001	RUBBER BATTERY BOX	RUBBER BATTERY BOX	1	
387		90652-GFY6-901	BAND 49 AIR/C CONNECTING TUBE	BAND 49 AIR/C CONNECTING TUBE	1	
371		93891-05016-08	SCREW WASHER 5*16	SCREW WASHER 5*16	4	
375		93901-14020	SCREW TAPPING 4*6	SCREW TAPPING 4*6	1	
383		94050-06080	NUT FLANGE 6MM	NUT FLANGE 6MM	3	
386		95002-02120	CLIP B12 TUBE	CLIP B12 TUBE	1	

F14

Air Cleaner



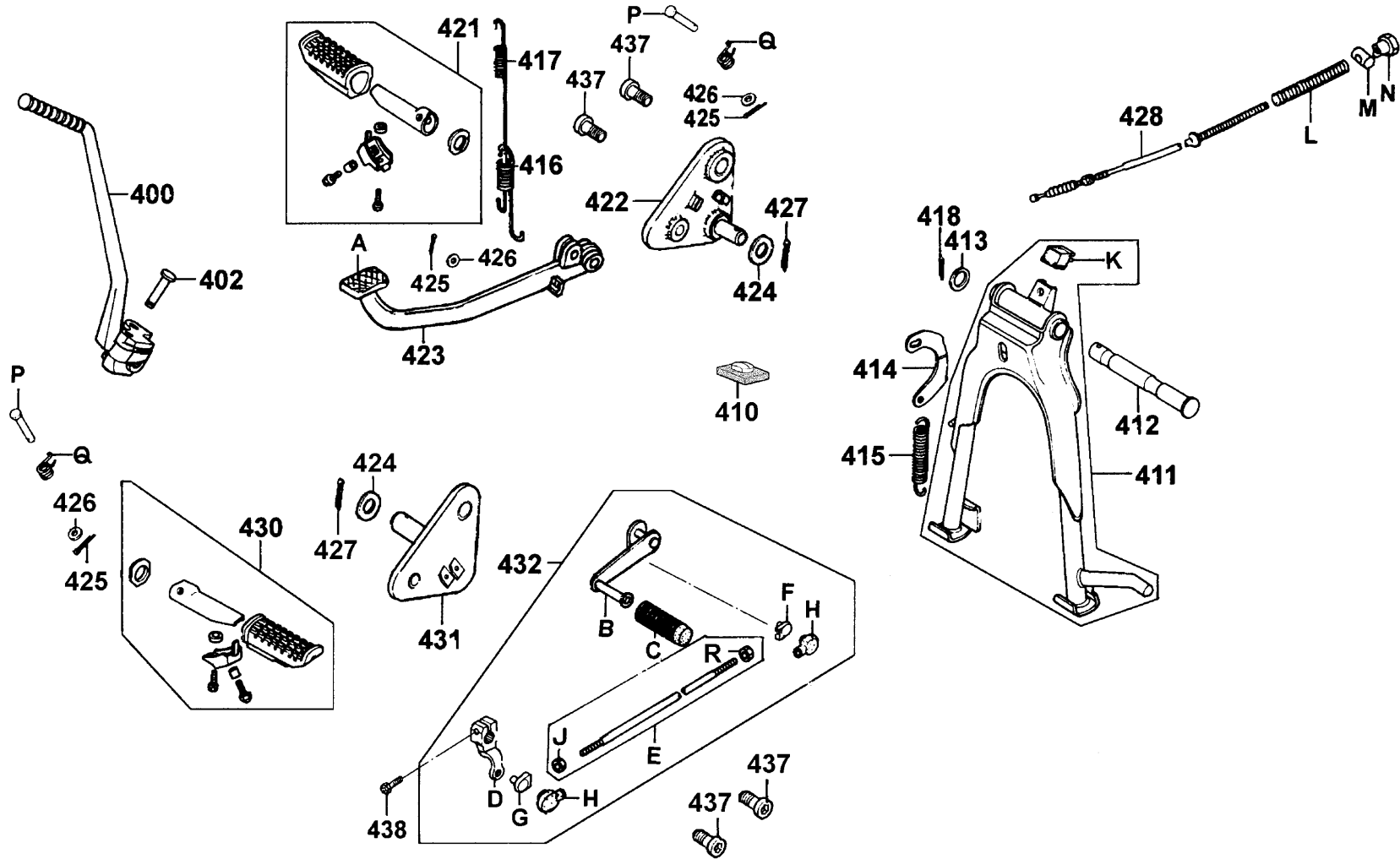
Sales mark	Ref no	Part no	Description	Reg description	Regd no	F14
	384	95701-06012-08	BOLT FLANGE 6*12	BOLT FLANGE 6*12	1	
	379	95701-06014-08	BOLT FLANGE 6*14	BOLT FLANGE 6*14	2	



Sales mark	Ref no	Part no	Description	Reg description	Regd no	F15
	390	18231-3E65-671	JOINT EXH PIPE	JOINT EXH PIPE	1	
	391	18233-3L30-001	COLLAR EXHAUST PIPE JOINT	COLLAR EXHAUST PIPE JOINT	2	
	392	18291-2F16-001	GASKET EXH PIPE	GASKET EXH PIPE	1	
	H	18291-LBA7-900	GASKET EXH PIPE	GASKET EXH PIPE	1	
	D	18294-KTCT-900	PACKING PROTECTOR	PACKING PROTECTOR	8	
	A	18300-KKA7-E00	RIGHT MUFFLER COMP EXH	RIGHT MUFFLER COMP EXH	1	
	C	18321-KEC8-900	PROTECTOR EXH PIPE	PROTECTOR EXH PIPE	2	
	B	18380-KKA7-E00	LEFT MUFFLER COMP EXH	LEFT MUFFLER COMP EXH	1	
	395	90309-GLW0-90A	NUT U FLANGE 8MM	NUT U FLANGE 8MM	2	
	394	90524-0L30-001	WASHER A/B HANDLE HOLDER	WASHER A/B HANDLE HOLDER	2	
	397	92201-08020-02	BOLT HEX 8*20	BOLT HEX 8*20	1	
	E	93501-KEB7-900	SCREW SPECIAL 6*10	SCREW SPECIAL 6*10	4	
	J	94001-06080-0S	NUT HEX 6MM	NUT HEX 6MM	3	
	396	94050-06080	NUT FLANGE 6MM	NUT FLANGE 6MM	2	
	F	94101-06800	WASHER PLAIN 6MM	WASHER PLAIN 6MM	6	
	G	96001-06008-07	BOLT FLANGE SH 6*8	BOLT FLANGE SH 6*8	1	

F16

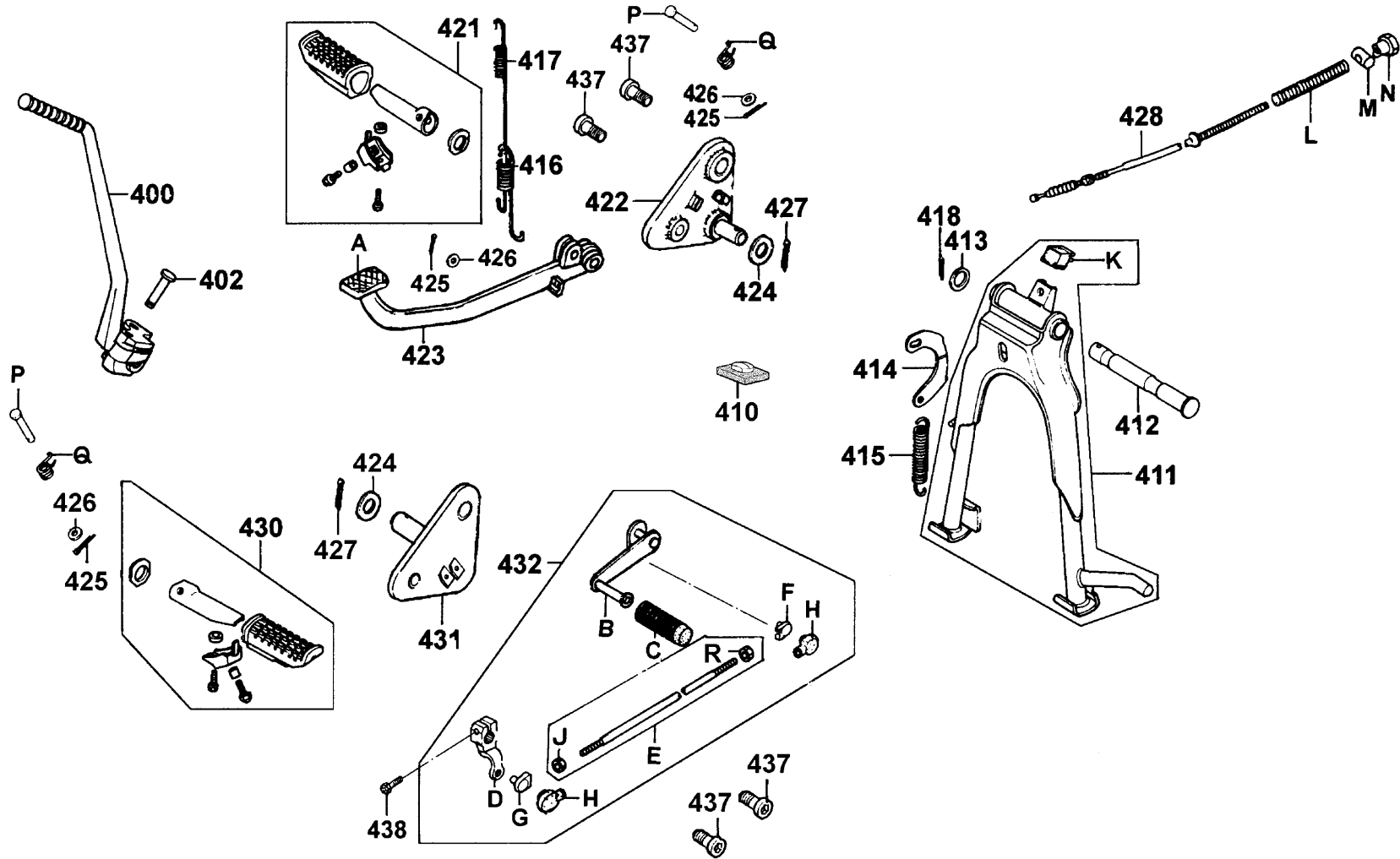
PedalStand



Sales mark	Ref no	Part no	Description	Reg description	Regd no	F16
B		24701-KKAK-900	PEDAL COMP GEAR CHANGE	PEDAL COMP GEAR CHANGE	1	
F		24702-KKAK-900	TIE ROD A	TIE ROD A	1	
G		24703-KKAK-900	TIE ROD B	TIE ROD B	1	
432		2470A-KEC2-900	PEDAL ASSY CHANGE	PEDAL ASSY CHANGE	1	
D		24711-KKAK-900	ARM GEAR CHANGE	ARM GEAR CHANGE	1	
E		24720-KEC2-900	ROD TIE	ROD TIE	1	
H		24724-4B22-000	COVER DUST	COVER DUST	2	
C		24781-KFW6-900	RUBBER PEDAL CHANGE	RUBBER PEDAL CHANGE	1	
400		2830A-KDCD-900	ARM ASSY KICK	ARM ASSY KICK	1	
417		35357-KKAK-900	SPRING STOP SWITCH	SPRING STOP SWITCH	1	
428		43450-KEC2-800	CABLE COMP RR BRK	CABLE COMP RR BRK	1	
A		46501-KGG7-001	RUBBER BRAKE PEDAL	RUBBER BRAKE PEDAL	1	
423		4650A-KKA8-900	PEDAL ASSY BRAKE	PEDAL ASSY BRAKE	1	
416		46514-KKAK-900	SPRING BRAKE PEDAL	SPRING BRAKE PEDAL	1	
410		50505-KEBE-900	STOPPER RUBBER	STOPPER RUBBER	1	
411		5050A-KKA8-900	STAND ASSY MAIN	STAND ASSY MAIN	1	
414		50523-KEC2-E00	HOOK MAIN STAND SPRING	HOOK MAIN STAND SPRING	1	
K		50524-3G97-001	RUB STAND STOPPER	RUB STAND STOPPER	1	
412		50526-KKAK-900	SHAFT MAIN STAND PIVOT	SHAFT MAIN STAND PIVOT	1	
415		50550-KEC2-E00	SPRING ASSY MAIN STAND	SPRING ASSY MAIN STAND	1	

F16

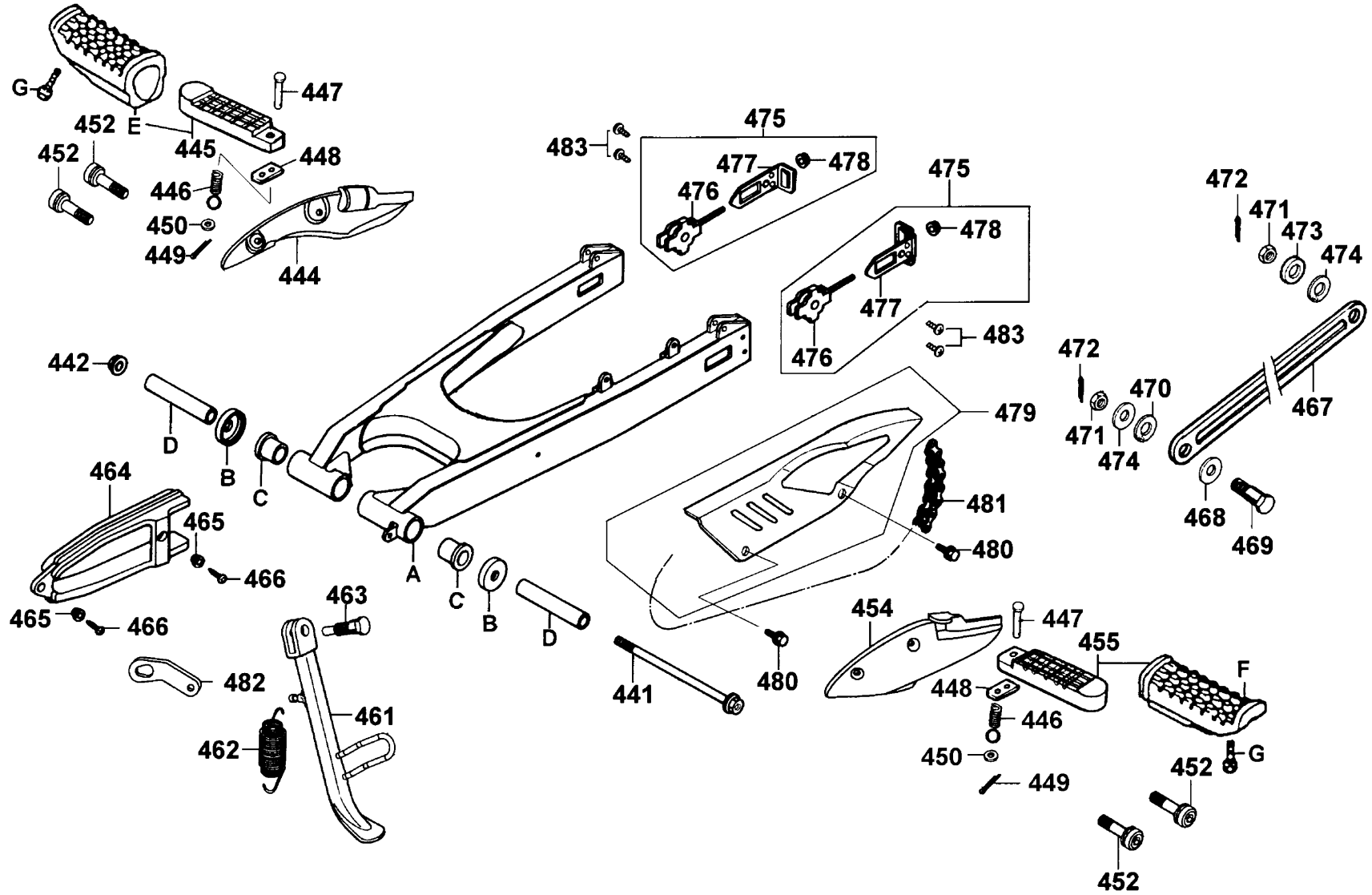
PedalStand



Sales mark	Ref no	Part no	Description	Reg description	Regd no	F16
	422	50600-KEC2-810	HOLDER R MAIN STEP	HOLDER R MAIN STEP	1	
P		50603-KEC2-810	PIN STEP RUBBER JOINT	PIN STEP RUBBER JOINT	2	
Q		50616-KEC2-810	SPRING STEP RETURN	SPRING STEP RETURN	2	
	421	5063A-KEC2-810	BAR ASSY R FR STEP	BAR ASSY R FR STEP	1	
	430	5064A-KEC2-810	BAR ASSY L FR STEP	BAR ASSY L FR STEP	1	
	431	50700-KEC2-810	HOLDER L MAIN STEP	HOLDER L MAIN STEP	1	
	437	90101-KKAK-900	BOLT FR STEP	BOLT FR STEP	4	
	413	90521-0H28-001	DIA WASHER 17*22	DIA WASHER 17*22	1	
	438	92000-06020-0H	BOLT HEX 6X20	BOLT HEX 6X20	1	
J		94030-06000-LH	NUT HEX 6MM	NUT HEX 6MM	1	
R		94030-06000-RH	NUT HEX 6MM	NUT HEX 6MM	1	
	426	94101-08800	WASHER PLAIN 8MM	WASHER PLAIN 8MM	3	
	424	94101-12800	WASHER PLAIN 12MM	WASHER PLAIN 12MM	2	
	425	94201-20150	PIN SPLIT 2*15	PIN SPLIT 2*15	3	
	427	94201-25250	PIN SPLIT 2.5*25	PIN SPLIT 2.5*25	2	
	418	94201-30250	PIN SPLIT 3*25	PIN SPLIT 3*25	1	
L		95014-KKAK-920	SPRING BRAKE ROD	SPRING BRAKE ROD	1	
M		95015-31001	JOINT A BRAKE ARM	JOINT A BRAKE ARM	1	
N		95015-41000	NUT A ADJUST	NUT A ADJUST	1	
	402	95701-08032-06	BOLT FLANGE 8*32	BOLT FLANGE 8*32	1	

F17

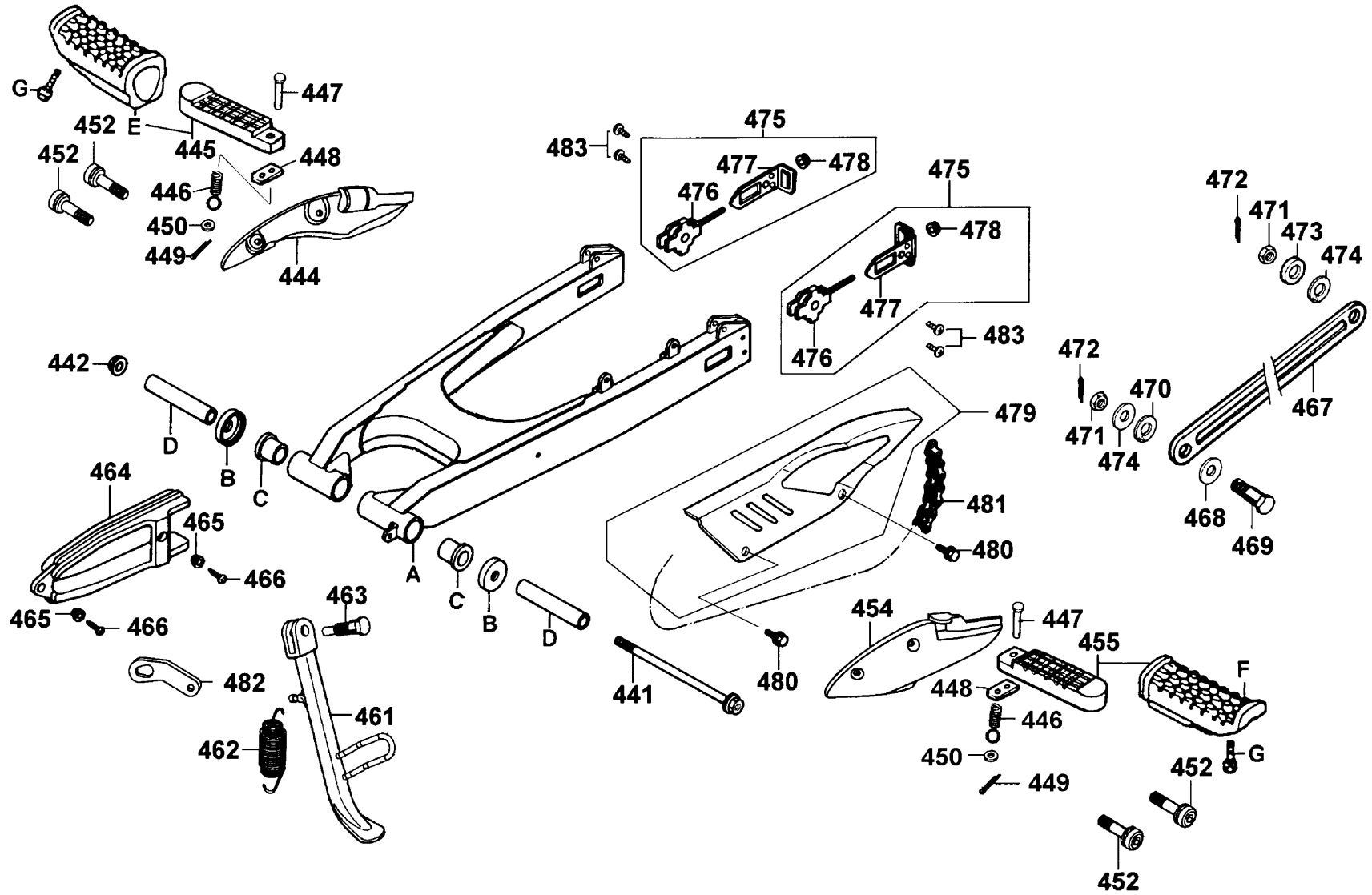
Rear ForkStepChain Case



Sales mark	Ref no	Part no	Description	Reg description	Regd no	F17
479		40510-KKAK-900	COVER CHAIN	COVER CHAIN	1	
481		40530-KKAK-900	CHAIN ASSY DRIVE	CHAIN ASSY DRIVE	1	
476		40543-KFW6-901	ADJUSTER CHAIN	ADJUSTER CHAIN	2	
477		40546-KFW6-901	CAP REAR FORK END	CAP REAR FORK END	2	
475		4054A-KKAK-900	ADJUSTER CHAIN ASSY	ADJUSTER CHAIN ASSY	2	
467		43431-KKAK-C10	ARM REAR BRAKE STOPPER	ARM REAR BRAKE STOPPER	1	
473		43434-2F86-001	RUBBER STOPPER ARM CUSHION	RUBBER STOPPER ARM CUSHION	1	
461		50530-KKAK-E00	BAR SIDE STAND	BAR SIDE STAND	1	
482		50531-KEB7-E00	PLATE SPRING STOPPER	PLATE SPRING STOPPER	1	
445		5063B-KKAK-900	BAR COMP R STEP	BAR COMP R STEP	1	
455		5064B-KKAK-900	BAR COMP L STEP	BAR COMP L STEP	1	
E		50650-KKAK-900	RUBBER R RR STEP BAR	RUBBER R RR STEP BAR	1	
F		50660-KKAK-900	RUBBER L RR STEP BAR	RUBBER L RR STEP BAR	1	
444		50711-KKA8-900	HOLDER RR R STEP	HOLDER RR R STEP	1	
454		50712-KKA8-900	HOLDER RR L STEP	HOLDER RR L STEP	1	
446		50713-KKAK-900	SPRING	SPRING	2	
448		50714-KKAK-900	WASHER	WASHER	2	
447		50715-KKAK-900	PIN RR STEP	PIN RR STEP	2	
C		52108-KEE5-004	BUSH RR FORK	BUSH RR FORK	2	
465		52108-KFW6-901	COLLAR CHAIN SLIDER	COLLAR CHAIN SLIDER	2	

F17

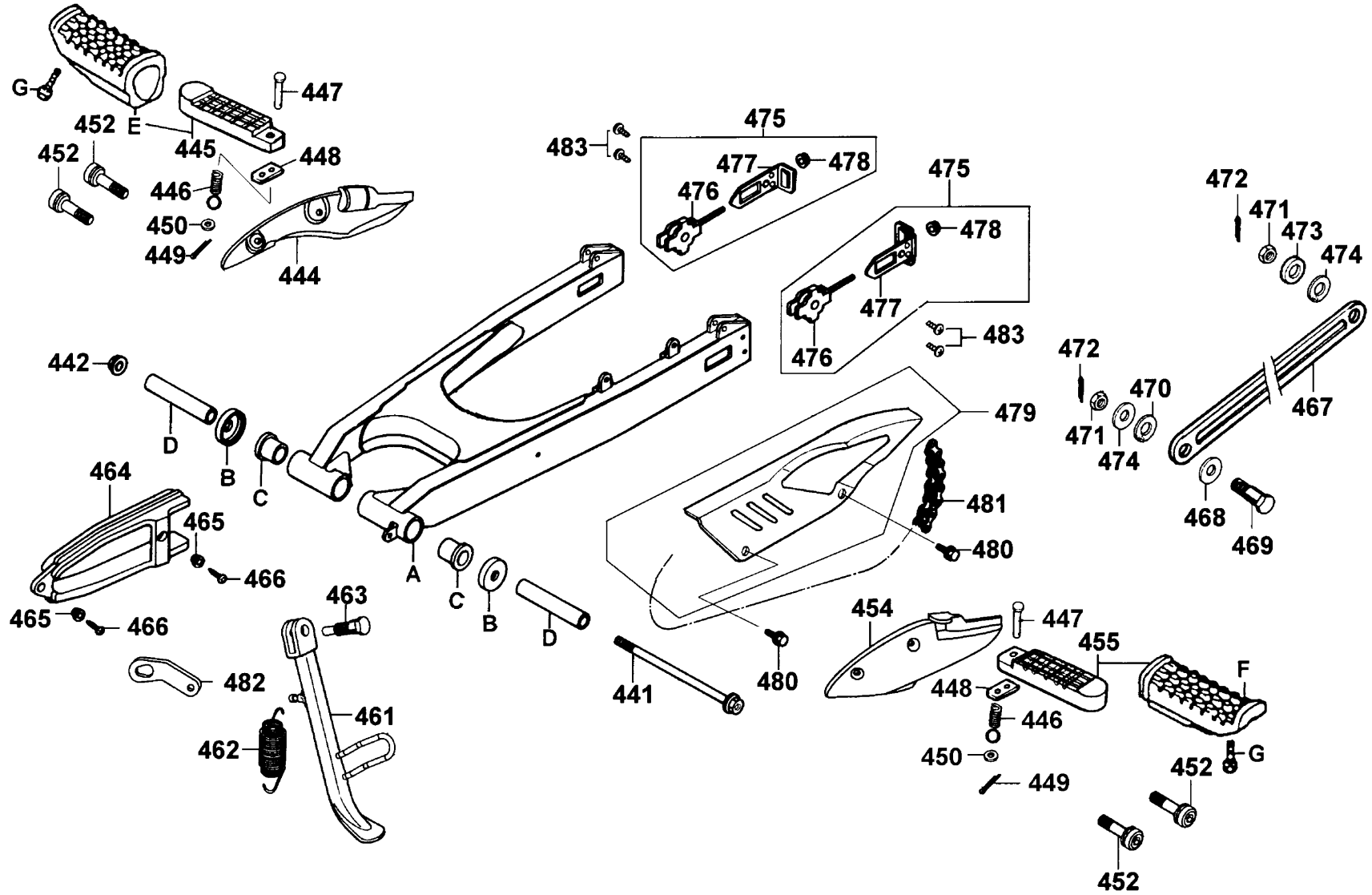
Rear ForkStepChain Case



Sales mark	Ref no	Part no	Description	Reg description	Regd no	F17
**	A	52110-KKA8-900	FORK COMP REAR	FORK COMP REAR	1	
	D	52142-KKAK-900	COLLAR COMP RR FORK	COLLAR COMP RR FORK	2	
	B	52144-GBE2-006	CAP RR FORK DUST SEAL	CAP RR FORK DUST SEAL	2	
	464	52171-KKAK-900	SLIDER CHAIN	SLIDER CHAIN	1	
	452	90105-KKAK-900	BOLT SPECIAL 8*38	BOLT SPECIAL 8*38	4	
	463	90107-KKAK-E00	SCREW SIDE STAND PIVOT	SCREW SIDE STAND PIVOT	1	
	441	90121-KKAK-900	BOLT RR FORK PIVOT	BOLT RR FORK PIVOT	1	
	478	90301-KKAK-900	NUT U 6MM	NUT U 6MM	2	
	442	90306-KLF0-901	NUT FLANGE 12MM	NUT FLANGE 12MM	1	
	474	90524-KKAK-900	WASHER STOPPER ARM	WASHER STOPPER ARM	2	
	469	92812-KKAK-901	BOLT RR BRAKE STOPPER ARM	BOLT RR BRAKE STOPPER ARM	1	
	G	93891-05020-06	SCREW WASHER M 5*20	SCREW WASHER M 5*20	2	
	466	93901-26110	SCREW TAPPING 6*12	SCREW TAPPING 6*12	2	
	483	93903-24280-02	SCREW TAPPING 4*10	SCREW TAPPING 4*10	4	
	471	94001-08080-0S	NUT HEX 8MM	NUT HEX 8MM	2	
	450	94101-06800	WASHER PLAIN 6MM	WASHER PLAIN 6MM	2	
	468	94101-08800	WASHER PLAIN 8MM	WASHER PLAIN 8MM	1	
	470	94111-08800	WASHER SPG 8MM	WASHER SPG 8MM	1	
	449	94201-16120	PIN SPLIT 1.6*12	PIN SPLIT 1.6*12	2	
	472	94201-20150	PIN SPLIT 2*15	PIN SPLIT 2*15	2	

F17

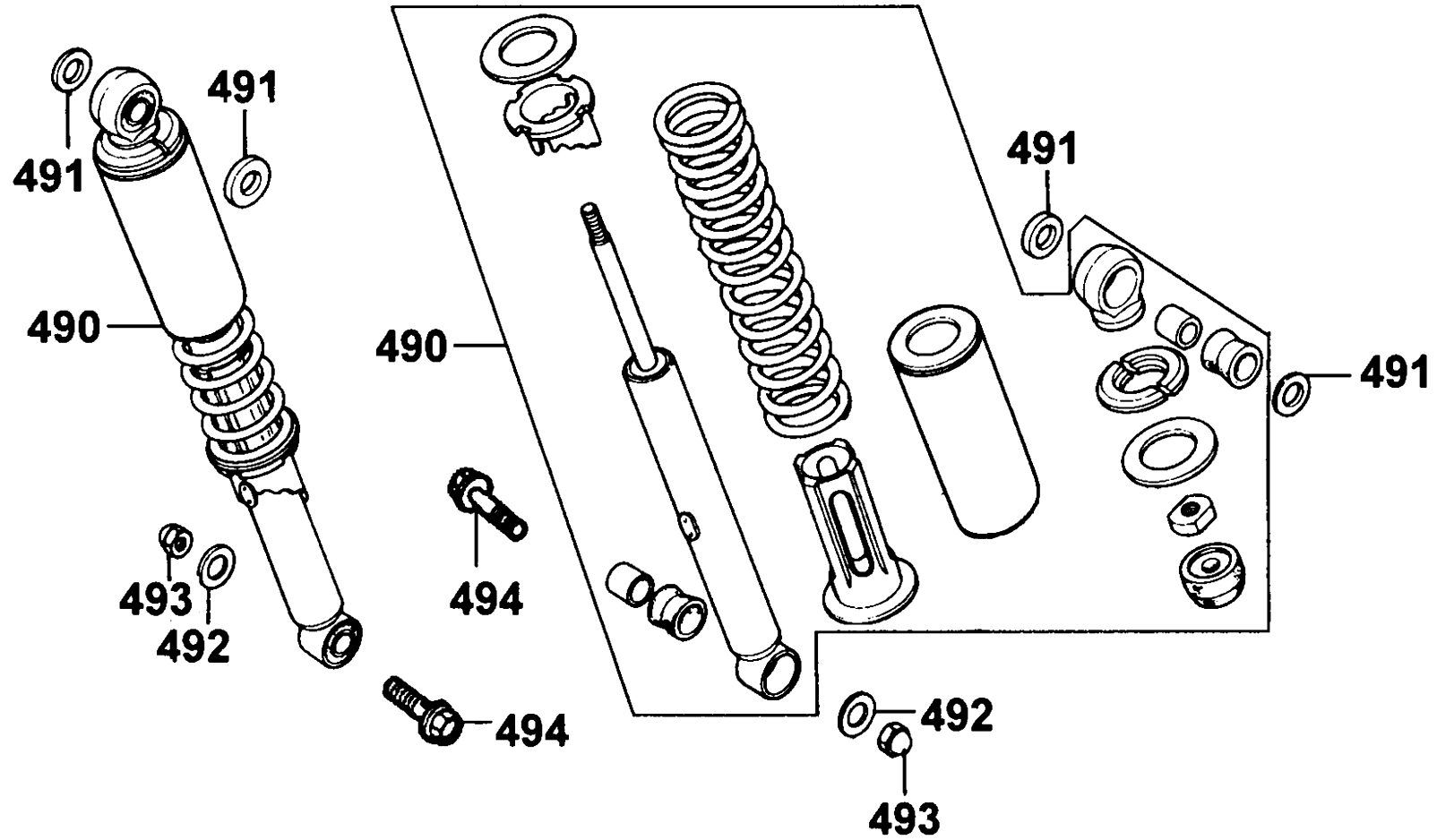
Rear ForkStepChain Case



Sales mark	Ref no	Part no	Description	Reg description	Regd no	F17
	462	95014-KKAK-E00	SPRING COMP SIDE STAND	SPRING COMP SIDE STAND	1	
	480	95701-06006-02	BOLT FLANGE 6*6	BOLT FLANGE 6*6	2	

F18

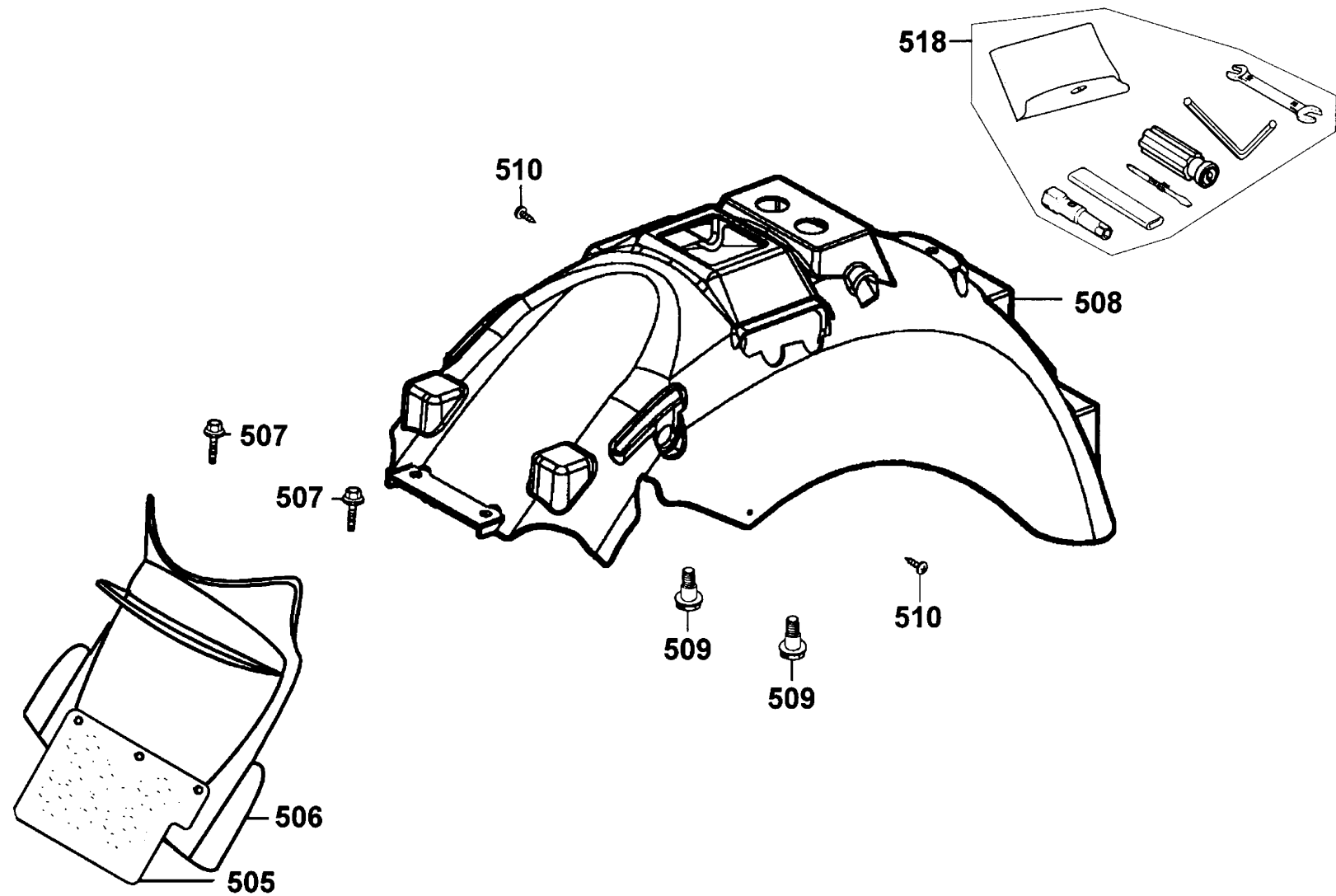
Rear Cushion



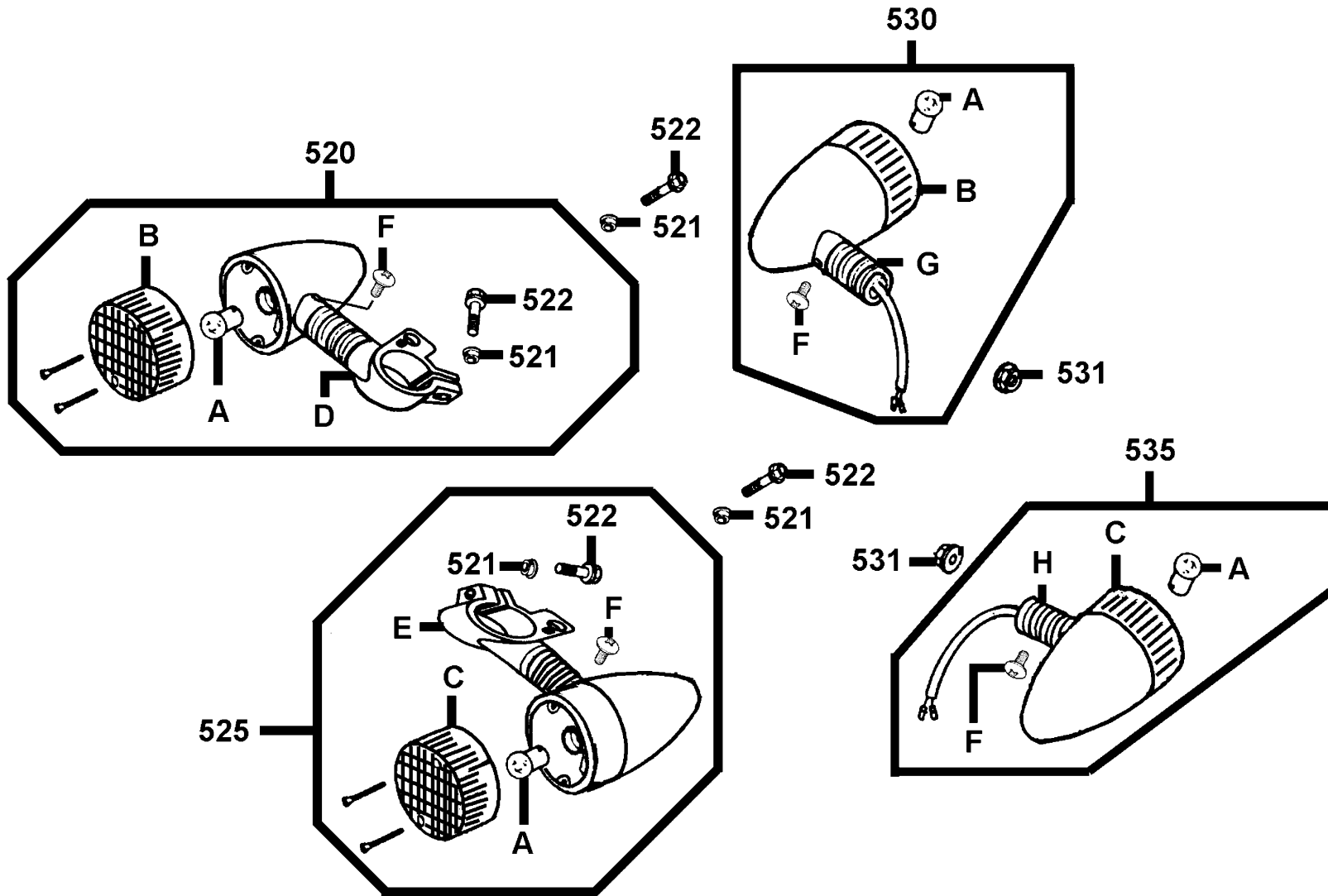
Sales mark	Ref no	Part no	Description	Reg description	Regd no	F18
490		52400-KKA7-E00	CUSHION ASSY REAR	CUSHION ASSY REAR	2	
494		90108-KKAK-900	BOLT RR CUSH UND	BOLT RR CUSH UND	2	
493		94021-10020-0S	NUT HEX CAP 10MM	NUT HEX CAP 10MM	2	
492		94101-10800	WASHER PLAIN 10MM	WASHER PLAIN 10MM	2	
491		94101-12800	WASHER PLAIN 12MM	WASHER PLAIN 12MM	4	

F19

Rear Fender



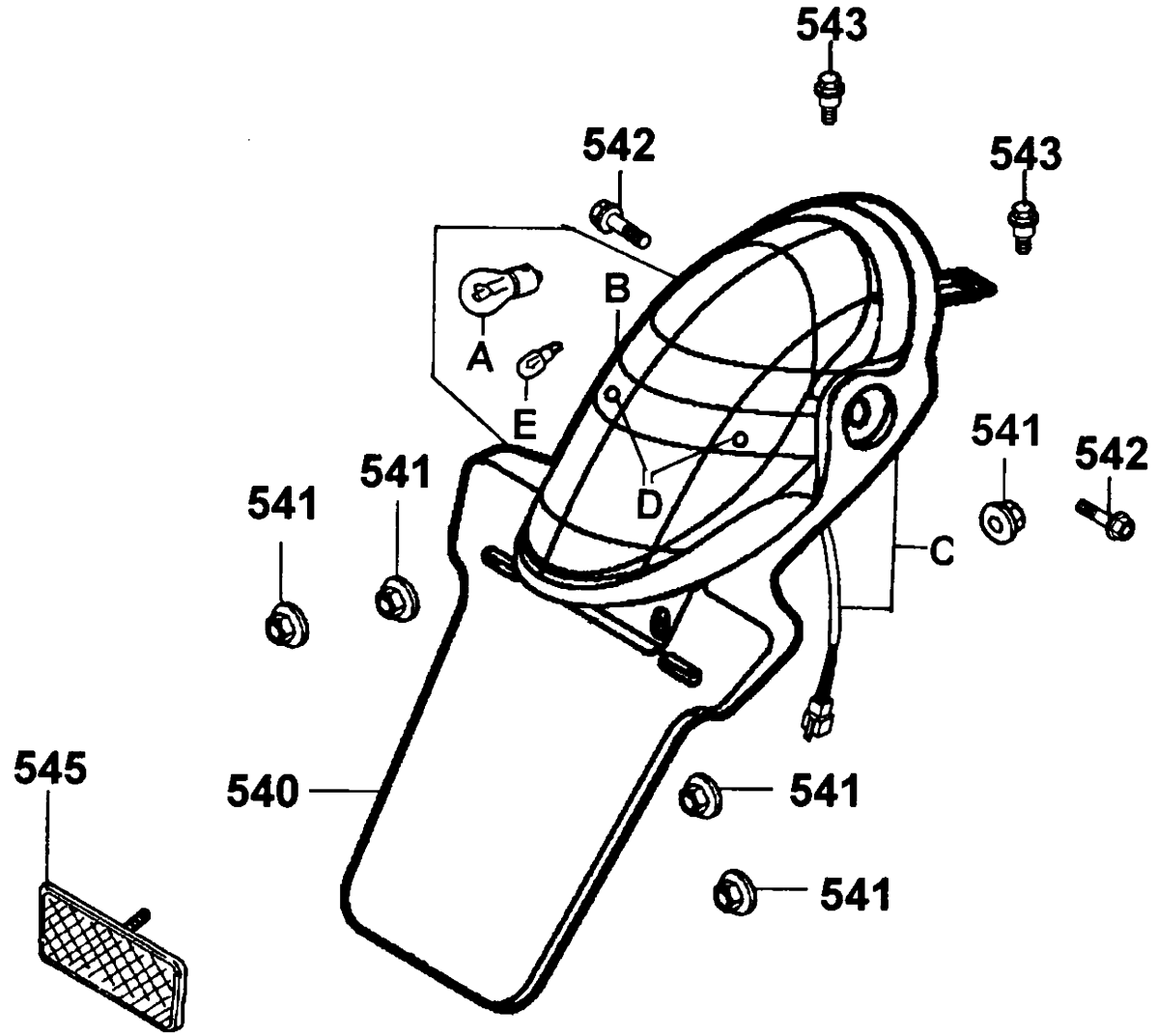
Sales mark	Ref no	Part no	Description	Reg description	Regd no	F19
	506	80102-KKAK-900	FENDER C REAR	FENDER C REAR	1	
**	508	80105-KKA8-900	FENDER REAR	FENDER REAR	1	
	505	80105-KKAK-900	PLATE SPLASH GUARD	PLATE SPLASH GUARD	1	
	518	89010-KKAK-900	TOOL SET	TOOL SET	1	
	509	90111-KFW6-001	BOLT FLANGE 6MM	BOLT FLANGE 6MM	2	
	507	90302-GFY6-901	BOLT WASH 5*12	BOLT WASH 5*12	2	
	510	93903-34360	SCREW TAPPING 4*12	SCREW TAPPING 4*12	2	



Sales mark	Ref no	Part no	Description	Reg description	Regd no	F20
	520	33400-KKA7-E00	WINKER ASSY R FR	WINKER ASSY R FR	1	
D		33411-KKA7-E00	STAY R FR WINKER	STAY R FR WINKER	1	
E		33421-KKA7-E00	STAY L FR WINKER	STAY L FR WINKER	1	
	525	33450-KKA7-E00	WINKER ASSY L FR	WINKER ASSY L FR	1	
	530	33600-KKA7-E00	WINKER ASSY R RR	WINKER ASSY R RR	1	
B		33602-KKA7-E00	LENS R FR WINKER	LENS R FR WINKER	2	
	521	33607-KKA7-E00	COLLAR	COLLAR	4	
F		33609-KKA7-E00	SCREW	SCREW	4	
G		33611-KKA7-E00	STAY COMP R RR WINKER	STAY COMP R RR WINKER	1	
H		33621-KKA7-E00	STAY COMP L RR WINKER	STAY COMP L RR WINKER	1	
	535	33650-KKA7-E00	WINKER ASSY L RR	WINKER ASSY L RR	1	
C		33652-KKA7-E00	LENS L FR WINKER	LENS L FR WINKER	2	
A		34905-KPCP-900	BULB WINKER	BULB WINKER	4	
	531	94050-10080	NUT FLANGE 10MM	NUT FLANGE 10MM	2	
	522	95701-06016-02	BOLT FLANGE 6*16	BOLT FLANGE 6*16	4	

F21

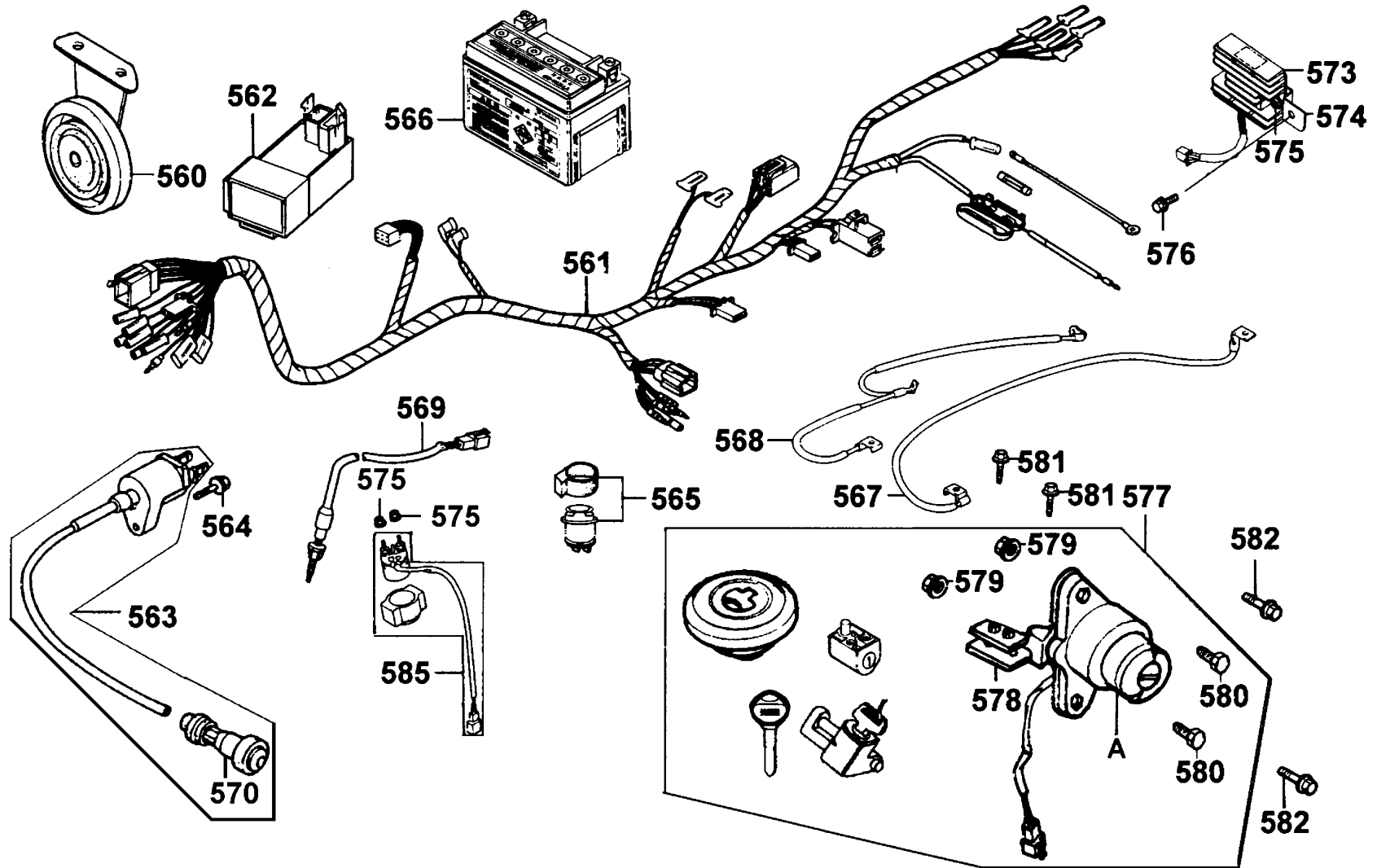
Tail Light



Sales mark	Ref no	Part no	Description	Reg description	Regd no	F21
	540	33701-KKA7-E00	UNIT TAIL LIGHT	UNIT TAIL LIGHT	1	
B		33702-KKA7-E00	LENS COMP TAIL LIGHT	LENS COMP TAIL LIGHT	1	
C		33704-KKA8-E00	BASE COMP TAIL LIGHT	BASE COMP TAIL LIGHT	1	
545		33741-KEBE-900	REFLEX REFLECTOR	REFLEX REFLECTOR	1	
A		34906-KPCP-900	BULB TAIL & STOP 12V21W/5W	BULB TAIL & STOP 12V21W/5W	1	
E		34908-KPCP-900	BULB WEDGE BASE	BULB WEDGE BASE	1	
543		90111-KFW6-001	BOLT FLANGE 6MM	BOLT FLANGE 6MM	2	
D		93901-32420	SCREW TAPPING 3X16	SCREW TAPPING 3X16	2	
541		94050-05080	NUT FLANGE 5MM	NUT FLANGE 5MM	5	
542		95701-06016-06	BOLT FLANGE 6*16 (K)	BOLT FLANGE 6*16 (K)	2	

F22

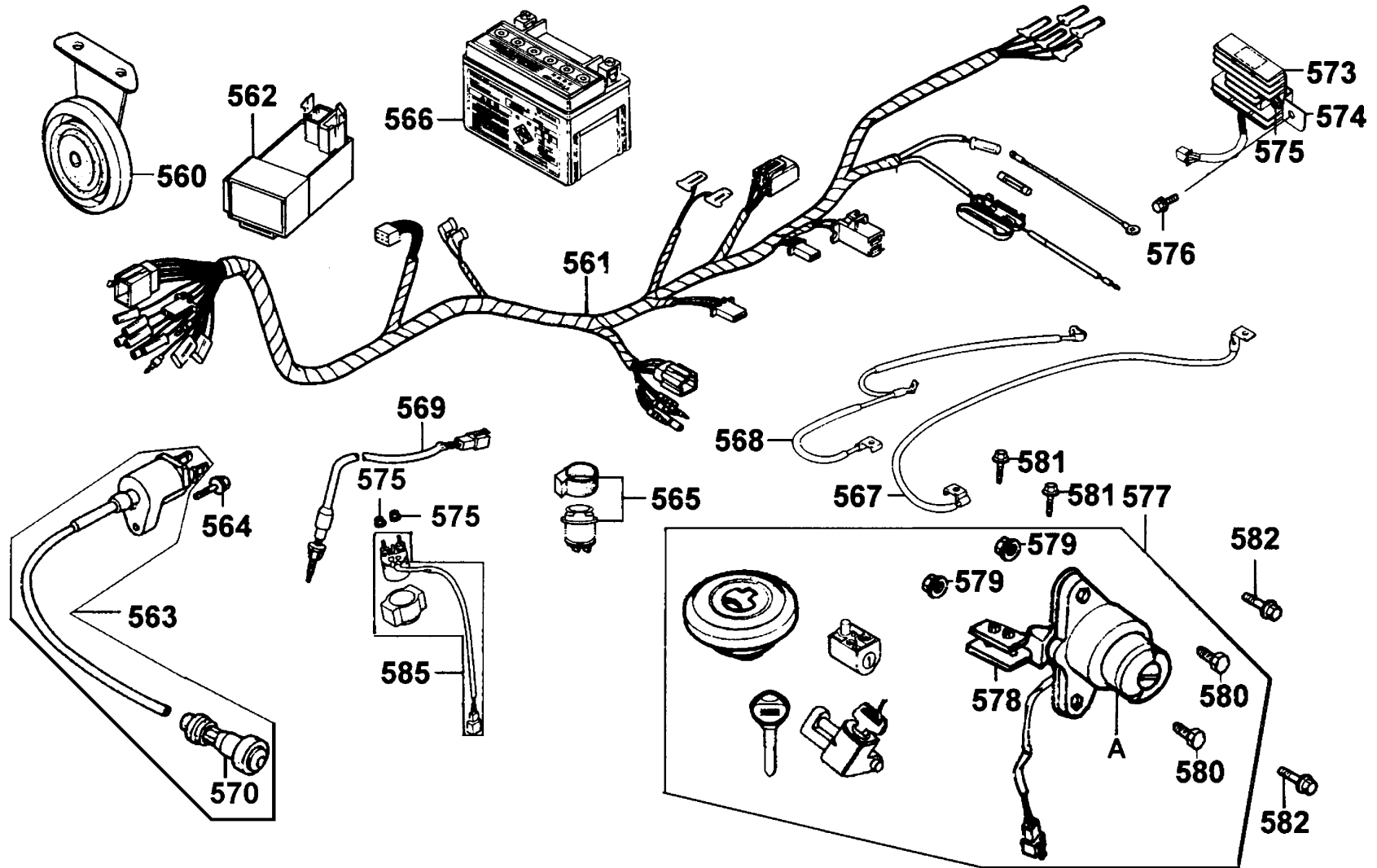
Wire Harness



Sales mark	Ref no	Part no	Description	Reg description	Regd no	F22
	562	30400-KKA8-900	UNIT ASSY CDI	UNIT ASSY CDI	1	
	563	30500-KKAK-900	IGN COIL & PLUG CAP ASSY	IGN COIL & PLUG CAP ASSY	1	
	570	30700-KGN7-671	CAP ASSY NOISE SUPPRESSOR	CAP ASSY NOISE SUPPRESSOR	1	
	566	31500-GFY6-94A	BATTERY YTX7A-BS	BATTERY YTX7A-BS	1	
	573	31600-KGG7-001	REG REC COMP	REG REC COMP	1	
	574	31605-KKAK-900	STAY REG REC COMP	STAY REG REC COMP	1	
	561	32100-KKA8-900	HARNESS WIRE	HARNESS WIRE	1	
	567	32401-KKAK-900	CORD EARTH	CORD EARTH	1	
	568	32402-KKA8-900	CABLE RELAY BATT	CABLE RELAY BATT	1	
	577	35010-KKA7-E00	KEY SET	KEY SET	1	
	A	35100-KKAK-315-M2	SW ASSY COMB	SW ASSY COMB	1	
	569	35350-KKAK-900	REAR STOP SW	REAR STOP SW	1	
	585	35850-KKAK-900	SET START MAG	SET START MAG	1	
	560	38110-KKAK-E0A	HORN ASSY	HORN ASSY	1	
	#	565	38300-GLW0-C11	RELAY ASSY WINKER	1	
	578	50152-KKA8-900	BRKT MAIN SWITCH	BRKT MAIN SWITCH	1	
	564	90112-KRDR-900	BOLT FLANGE 5*22	BOLT FLANGE 5*22	1	
	580	92201-08020-02	BOLT HEX 8*20	BOLT HEX 8*20	2	
	575	94050-06080	NUT FLANGE 6MM	NUT FLANGE 6MM	3	
	579	94050-08080	NUT FLANGE 8MM	NUT FLANGE 8MM	2	

F22

Wire Harness



Sales mark	Ref no	Part no	Description	Reg description	Regd no	F22
581		95701-06010-08	BOLT FLANGE 6*10	BOLT FLANGE 6*10	2	
576		95701-06012-08	BOLT FLANGE 6*12	BOLT FLANGE 6*12	1	
582		95801-08025-00	BOLT FLANGE 8*25	BOLT FLANGE 8*25	2	

Sales mark	Ref no	Part no	Description	Reg description	Regd no	F23
606		32161-4D04-001	BAND BI WIRE	BAND BI WIRE	2	
600		50100-KKA7-E00	BODY COMP FRAME	BODY COMP FRAME	1	
616		50351-KEC2-900	HANGER R FR ENG	HANGER R FR ENG	1	
626		50352-KEC2-900	HANGER L FR ENG	HANGER L FR ENG	1	
602		50354-KKAK-900	PLATE R UPPER ENG HANGER	PLATE R UPPER ENG HANGER	1	
603		50355-KKAK-900	PLATE L UPPER ENG HANGER	PLATE L UPPER ENG HANGER	1	
610		5035B-KKAK-900	ENG HANGER ASSY REAR	ENG HANGER ASSY REAR	1	
612		52141-KKAK-900	COLLAR ENG HANGER	COLLAR ENG HANGER	1	
623		64209-KKAK-900	MOULDING WIND	MOULDING WIND	1	
608		80106-KKA8-900	STAY REAR FENDER	STAY REAR FENDER	1	
607		83551-KKAK-900	GROMMET AIR CLEANER CASE	GROMMET AIR CLEANER CASE	2	
614		90019-KKAK-900	BOLT FLANGE 10*113	BOLT FLANGE 10*113	2	
615		90304-GHE8-004	NUT U 10MM	NUT U 10MM	2	
605		90309-KLF0-004-SY	NUT FLANGE 8MM	NUT FLANGE 8MM	8	
613		90912-GHC8-00A	BEARING 6201	BEARING 6201	2	
613A		90912-GHC8-00D	BEARING 6201	BEARING 6201	2	
609		95701-06014-08	BOLT FLANGE 6*14	BOLT FLANGE 6*14	4	
627		95801-08020-08	BOLT FLANGE 8*20	BOLT FLANGE 8*20	4	
604		95801-08070-00	BOLT FLANGE 8*70	BOLT FLANGE 8*70	3	
617		95801-08092-08	BOLT FLANGE 8*92	BOLT FLANGE 8*92	1	

Important Instruction

Normal Tire Pressure : psi (kg/cm²)
 Front : 25 (1.75) Rear : 32 (2.25)
 One rider : Front : 25 (1.75) Rear : 28 (2.0)
 Tire size : Front : 3.00-18-4PR
 Rear : 130/90-15-4PR

680

CAUTION

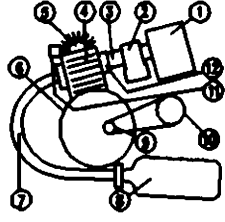
1. Remove the air cleaner element.
2. Wash the air cleaner element in detergent oil, squeeze out and allow to dry.
3. Soak the element in clean engine oil (#80 -#90) and squeeze out the excess oil.
4. Re-install the air cleaner.

681

Helmet
Hook

682

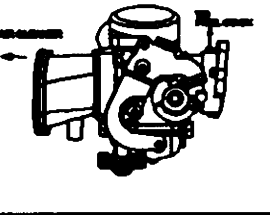
TRADE NAME: KYMCO
 VEHICLE CATEGORY: B



1. KE C2
2. KEH H KT CWK
3. KYMCO KKA7
4. KKA7 124 cm³
5. KE C8 B
6. KKA7
7. -----
8. KKA7
9. KAK 16
10. KAK 41
11. KAK
12. -----

683

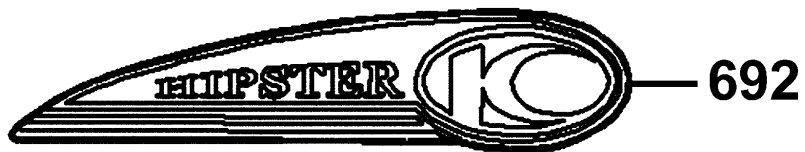
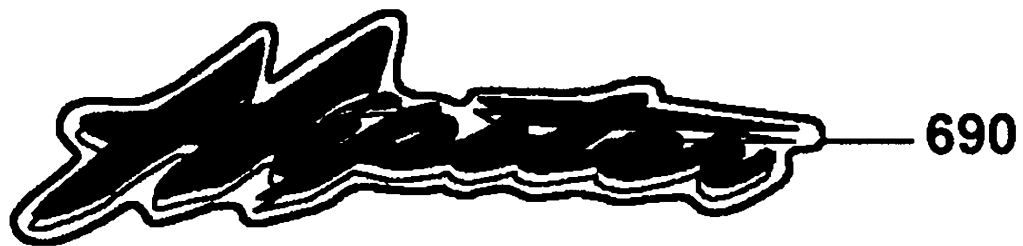
CAUTION



684

685 USE UNLEADED GASOLINE ONLY

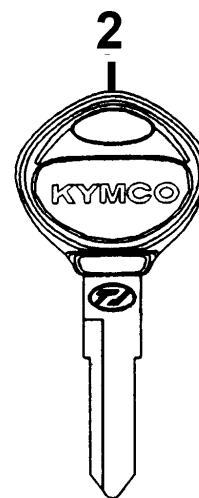
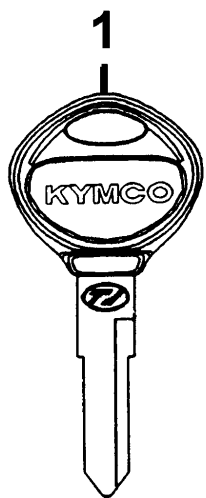
Sales mark	Ref no	Part no	Description	Reg description	Regd no	F24
**	683	87224-KKB5-E00	CAUTION ANTI TAMPERING	CAUTION ANTI TAMPERING	1	
**	685	87501-KRDR-E00	CAUTION USE GAS ONLY	CAUTION USE GAS ONLY	1	
**	680	87505-KKAK-Q00	MARK TIRE CAUTION	MARK TIRE CAUTION	1	
**	684	87507-KEC8-E00	MARK ACV CAUTION	MARK ACV CAUTION	1	
**	681	87508-KGG7-E00	MARK AIR CLEANER CAUTION	MARK AIR CLEANER CAUTION	1	
**	682	87511-KKAK-Q00	LABEL HELMET HOLDER	LABEL HELMET HOLDER	1	



Sales mark	Ref no	Part no	Description	Reg description	Regd no	F25
**	692	8622A-KKB5-E00	EMB ASSY R FUEL TANK	EMB ASSY R FUEL TANK	1	
**	693	8624A-KKB5-E00	EMB ASSY L FUEL TANK	EMB ASSY L FUEL TANK	1	
**	691	86304-KKB5-E00	EMB SIDE COVER	EMB SIDE COVER	2	

F26

Key



Sales mark	Ref no	Part no	Description	Reg description	Regd no	F26
1		35111-KUDU-305-M2	KEY COMP (R TANGENT PLANE TJ)	KEY COMP (R TANGENT PLANE TJ)	1	
2		35111-KUDU-306-M2	KEY COMP(L TANGENT PLANE TJ)	KEY COMP(L TANGENT PLANE TJ)	1	

PART NO. INDEX

PART NO.	VERSION	PAGE	PART NO.	VERSION	PAGE	PART NO.	VERSION	PAGE
			4115-803-1100	0	E11	12391-KEC8-900	0	E01
			4115-804-1100	0	E11			
			11000			13000		
0110-803-1100	0	E11				13000-KKA8-900	1	E08
			11100-KHC7-E00	1	E07	13011-3C83-62B	1	E08
			11108-KGG7-901	1	F11	13101-3C83-500	1	E08
1028-054-7000	0	E11	11191-KED7-E00	0	E07	13111-4L40-001	1	E08
1030-873-7003	0	E11	11200-KKA7-900	1	E07	13417-KEC2-900	2	E08
1052-862-2101	0	E11	11330-KEC2-900	2	E03	13421-KEC2-900	0	E08
1090-873-2001	0	E11	11341-KEC2-900	5	E06			
1190-B07-2102	0	E11	11355-KKAK-900	0	E06	14000		
1201-830-2201	0	E11	11361-KKAK-900	3	E06			
1229-805-7000	0	E11	11393-KEC2-900	1	E03	14100-KEC8-220	0	E02
1230-850-2000	0	E11	11395-KEC2-900	0	E06	14311-KEC8-900	1	E08
1230-851-2001	0	E11				14401-KEC8-90A	0	E02
1230-856-7001	0	E11	12000			14402-KEC8-900	0	E02
1290-996-2000	0	E11				14431-KEC8-900	1	E02
1290-A07-2000	0	E11	12100-KKA7-900	4	E01	14451-KEC8-900	1	E02
1290-A46-2000	0	E11	12191-LLB1-900	1	E01	14452-KEC8-900	1	E02
1402-912-2201	0	E11	12200-KHC6-C00	1	E01	14453-KEC8-900	0	E02
1785-402H-0040-SB0	0	E11	12208-4C13-004	0	E02	14510-KEC8-900	1	E02
			12211-KEC8-900	1	E02	14520-GFY6-90A	1	E02
			12251-KEC8-900	1	E01	14523-GFY6-901	0	E02
			12310-KHC6-C10	2	E01	14531-KKJ9-001	0	E02
4000-069-0004	0	E11	12361-1G07-001	0	E07	14610-KEC8-900	2	E02

PART NO. INDEX

PART NO.	VERSION	PAGE	PART NO.	VERSION	PAGE	PART NO.	VERSION	PAGE
14711-3C83-001	0	E02	15661-KKAK-900	3	E03	17231-4K39-001	0	F14
14721-3C83-001	0	E02	15661-LBA7-900	1	E03	17233-KKA8-900	0	F14
14751-KEC8-900	0	E02	15711-KEC2-900	0	E04	17247-3C03-001	0	F11
14751-LLB1-900	0	E02	15712-KEC8-900	0	E11	17249-KKA7-E00	0	F14
14761-KEC8-900	0	E02	15772-2B92-011	0	F11	17253-KEC2-800	0	F14
14761-LLB1-900	1	E02	15772-5L00-013	1	F11	17254-KACA-P00	0	F14
14771-1G07-021	0	E02				17256-GFY6-901	4	E01
14775-1G07-001	0	E02	16000			17265-KGG7-001	0	F14
14776-1G07-011	0	E02				17266-KGG7-001	0	F14
14781-MFA6-001	0	E02	1610K-KKC5-E01	1	E11	17360-GAE1-901	2	F11
			16199-GFY6-900	0	E11	17500-KKA7-E00	2	F11
15000			1621A-KKA7-E00	0	E01	17550-KKA8-900	0	F11
			1691A-GFY6-90A	3	F11	17611-2F86-001	0	F11
15100-LBE8-900	0	E04	1691A-GFY6-90B	2	F11	17613-KFW6-911	0	F11
15131-KEC2-900	0	E04	16950-KEC2-80A	2	F11	17620-KKA7-305	0	F11
15133-GFY6-901	0	E04	16955-KEC2-800	0	F11	17623-KKA8-900	1	F11
15141-KEC2-900	0	E04	16956-KEC2-800	0	F11	17687-KKA7-E00	0	F11
15421-1G07-001	1	E07				17700-KKA8-900	2	F13
15426-1G07-001	0	E07	17000			17710-KKA8-900	0	F13
15430-KKAK-910	2	E04				17720-KKA8-900	1	F13
15436-1G07-001	1	E04	17211-4K39-001	0	F14	17730-KKA8-900	1	F13
15441-1G07-001	0	E04	17219-KHC6-C00	0	F14	17910-KKA8-900	1	F03
15446-1G07-001	0	E04	17221-KGG7-001	0	F14			
15451-1G07-001	0	E04	17226-KGG7-001	0	F14	18000		
15459-1G07-001	0	E04	1722A-KEC2-900	1	F14			
1565A-KKAK-900	0	E03	1722B-KKA7-E00	0	F14	18231-3E65-671	0	F15

PART NO. INDEX

PART NO.	VERSION	PAGE	PART NO.	VERSION	PAGE	PART NO.	VERSION	PAGE
18233-3L30-001	0	F15	22838-KEC2-900	1	E07	24000		
18291-2F16-001	1	F15	22850-3E55-001	0	E05			
18291-LBA7-900	2	F15	22870-KKA8-900	1	F03			
18294-KTCT-900	0	F15				24211-1G07-002	1	E10
18300-KKA7-E00	5	F15	23000			24221-3E55-002	1	E10
18321-KEC8-900	0	F15				24231-1G07-011	1	E10
18380-KKA7-E00	4	F15	23121-KEC2-900	1	E04	24241-1G07-001	0	E10
			23211-KEC2-900	0	E09	24301-KKAK-900	3	E10
22000			23221-KKAK-900	0	E09	24411-KKAK-900	2	E10
			23236-KEC2-900	1	E05	24430-3D24-001	0	E10
22100-3D24-001	4	E05	23426-KKAK-900	0	E09	24435-KKAK-900	0	E10
22100-KEC2-900	4	E08	23427-4K39-001	0	E09	24610-KFC6-001	3	E10
22121-1G07-011	2	E05	23431-4K39-001	0	E09	24621-1G07-761	0	E10
22125-KKAK-900	1	E05	23441-KKAK-900	0	E09	24631-1G07-001	0	E10
22201-KKAK-900	0	E05	23451-KKAK-900	0	E09	24651-3H98-941	0	E10
22201-KKAK-90A	0	E05	23461-4K39-001	3	E09	24701-KKAK-900	0	F16
22202-KKAK-900	0	E05	23471-4K39-001	1	E09	24702-KKAK-900	1	F16
22202-KKAK-90A	0	E05	23481-4K39-001	1	E09	24703-KKAK-900	1	F16
22311-1G07-001	0	E05	23491-4K39-001	0	E09	2470A-KEC2-900	1	F16
22350-1G07-012	4	E05	23501-KKAK-900	2	E09	24711-KKAK-900	0	F16
22361-1G07-001	0	E05	23511-KKAK-900	2	E09	24720-KEC2-900	0	F16
22366-3C83-001	0	E05	23520-KEC2-900	0	E09	24724-4B22-000	0	F16
22402-KKAK-900	1	E05	23531-4K39-001	0	E09	24781-KFW6-900	1	F16
22810-KEC2-900	0	E03	23801-KKAK-900	0	E09			
22816-3E55-001	1	E03	23811-KCR3-601	0	E09			
22821-3E55-001	0	E03						

PART NO. INDEX

PART NO.	VERSION	PAGE	PART NO.	VERSION	PAGE	PART NO.	VERSION	PAGE
28000			31000			33103-KKA8-900	0	F01
28110-KKA7-900	2	E06	31110-KBE2-96A	0	E06	33104-KKA8-900	0	F01
28114-KKA7-900	2	E06	31120-KHBH-900	0	E06	3310A-KKA8-900	2	F01
28120-GFY6-315	6	E06	31200-KKAK-900	0	E06	33130-KKA8-900	0	F01
28125-4F26-001	0	E06	31241-KBE2-981	1	E06	33400-KKA7-E00	1	F20
28126-KUDU-900	1	E06	31500-GFY6-94A	4	F22	33411-KKA7-E00	0	F20
28130-KBE2-981	0	E06	31600-KGG7-001	3	F22	33421-KKA7-E00	0	F20
28132-KGG7-001	0	E06	31605-KKAK-900	2	F22	33450-KKA7-E00	1	F20
28211-3G97-011	0	E09				33600-KKA7-E00	2	F20
28221-3G97-021	0	E09	32000			33602-KKA7-E00	0	F20
28251-3G97-011	1	E09				33607-KKA7-E00	0	F20
28253-3G97-001	0	E09	32100-KKA8-900	0	F22	33609-KKA7-E00	0	F20
28261-3G97-001	2	E09	32161-4D04-001	2	F04	33611-KKA7-E00	0	F20
28262-3G97-001	0	E09	32161-4D04-001	2	F23	33621-KKA7-E00	0	F20
28263-3G97-001	0	E09	32401-KKAK-900	0	F22	33650-KKA7-E00	2	F20
28270-3G97-021	1	E09	32402-KKA8-900	0	F22	33652-KKA7-E00	0	F20
2830A-KDCD-900	1	F16	32410-KKAK-900	0	E06	33701-KKA7-E00	3	F21
			32976-1G07-001	0	E06	33702-KKA7-E00	0	F21
30000			33000			33704-KKA8-E00	0	F21
30400-KKA8-900	1	F22				33741-GFY6-C30	1	F04
30500-KKAK-900	4	F22	33100-KKA8-900	0	F01	33741-KEBE-900	0	F21
30700-KGN7-671	2	F22	33101-KKA8-900	0	F01	34000		
30905-2F16-001	0	E06	33102-KKA8-900	0	F01	34901-KKA8-900	1	F01
						34903-KPCP-900	0	F01

PART NO. INDEX

PART NO.	VERSION	PAGE	PART NO.	VERSION	PAGE	PART NO.	VERSION	PAGE
34905-KPCP-900	0	F20	37401-KEC2-800	1	F04	42600-KEC2-305	1	F10
34906-KPCP-900	0	F21	3780A-KKA8-900	1	F11	42601-KEC2-900	0	F10
34908-KKAK-900	0	F04				42620-KEC2-900	0	F10
34908-KPCP-900	0	F21	38000			42701-KKAK-90A	1	F10
34908-MKB9-87A	0	F02				42711-KKAK-900	0	F10
			38110-KKAK-E0A	0	F22	42712-KKAK-900	0	F10
35000			38300-GLW0-C11	2	F22	42721-KKAK-900	1	F10
						42722-KKAK-900	2	F10
35010-KKA7-E00	2	F22	40000					
35100-KKAK-315-M2	0	F22				43000		
35111-KUDU-305-M2	0	F26	40510-KKAK-900	6	F17			
35111-KUDU-306-M2	0	F26	40530-KKAK-900	0	F17	43000-KKAK-901	0	F09
3515A-KKA8-900	3	F03	40543-KFW6-901	0	F17	43100-KGG7-832	1	F09
3520A-KKA8-900	3	F03	40546-KFW6-901	0	F17	43120-KGG7-002	3	F09
35340-KNBN-901	0	F03	4054A-KKAK-900	0	F17	43141-KKAK-900	1	F09
35350-KKAK-900	0	F22				43352-5H68-004	3	F07
35357-KKAK-900	0	F16	41000			43353-4A61-77A	0	F07
35753-KEC2-900	0	E10				43410-KKAK-900	3	F09
3575A-0A01-021	0	E07	4120A-KEC2-900	2	F10	43431-KKAK-C10	0	F17
35850-KKAK-900	1	F22	41241-3G07-011	0	F10	43434-2F86-001	0	F17
						43450-KEC2-800	3	F16
37000			42000			44000		
37200-KKA7-E00	0	F02	42301-KKAK-900	4	F10			
37310-KKA8-900	0	F13	42311-KKAK-C10	0	F10	44301-KKC5-E00	3	F08
37350-KKA8-900	1	F13	42313-KKAK-900	0	F10	44311-KKAK-900	0	F08

PART NO. INDEX

PART NO.	VERSION	PAGE	PART NO.	VERSION	PAGE	PART NO.	VERSION	PAGE
44600-KGG7-306	0	F08	45200-KKAK-900	7	F07	50301-0A41-011	2	F04
44601-KGG7-901	1	F08	45203-MCG3-007	0	F07	50320-KKA7-E00	0	F14
44620-4L00-001	0	F08	45209-GBE2-007	0	F07	50351-KEC2-900	1	F23
44680-4L10-001	0	F08	45210-KKAK-305	0	F07	50352-KEC2-900	1	F23
44701-KLAL-900	0	F08	45215-KECE-900	0	F07	50354-KKAK-900	0	F23
44710-KGAG-V00	0	F08	45216-1F66-007	0	F07	50355-KKAK-900	2	F23
44712-KGAG-V00	0	F08	45216-KFW6-90A	0	F07	5035B-KKAK-900	1	F23
44721-KKAK-900	1	F08	45451-4A71-001	1	F05	50505-KEBE-900	0	F16
44722-KKAK-900	1	F08	45513-KKA8-900	0	F03	5050A-KKA8-900	1	F16
44800-KKAK-900	3	F08	45517-KKA8-900	0	F03	50523-KEC2-E00	2	F16
44830-KKA8-900	0	F02	45517-KKAK-900	0	F03	50524-3G97-001	1	F16
			45522-4B22-010	0	F03	50526-KKAK-900	1	F16
45000			45530-KKA8-305	0	F03	50530-KKAK-E00	0	F17
			45530-KKAK-306	0	F03	50531-KEB7-E00	1	F17
45108-MDL4-007	2	F07	45531-GAR1-951	0	F07	50550-KEC2-E00	2	F16
45109-GBE2-007	0	F07				50600-KEC2-810	0	F16
4510A-KFW6-900	2	F07	46000			50603-KEC2-810	0	F16
45121-KKA8-900	0	F08				50616-KEC2-810	0	F16
45126-KKA8-900	1	F03	46501-KGG7-001	0	F16	5063A-KEC2-810	1	F16
45127-KKA8-900	0	F05	4650A-KKA8-900	0	F16	5063B-KKAK-900	0	F17
45131-1F66-017	0	F07	46514-KKAK-900	0	F16	5064A-KEC2-810	1	F16
45131-GBE2-007	1	F07				5064B-KKAK-900	0	F17
45132-1F66-017	0	F07	50000			50650-KKAK-900	0	F17
45133-2L40-001	1	F09				50660-KKAK-900	0	F17
45133-MCA3-007	0	F07	50100-KKA7-E00	4	F23	50700-KEC2-810	0	F16
45134-2L50-001	0	F09	50152-KKA8-900	0	F22	50711-KKA8-900	0	F17

PART NO. INDEX

PART NO.	VERSION	PAGE	PART NO.	VERSION	PAGE	PART NO.	VERSION	PAGE
50712-KKA8-900	0	F17				53212-0L30-011	1	F04
50713-KKAK-900	0	F17	52000			53214-0A01-011	0	F04
50714-KKAK-900	0	F17				53215-0A01-001	0	F04
50715-KKAK-900	0	F17	52108-KEE5-004	2	F17	53220-KKAK-900	0	F04
			52108-KFW6-901	0	F17	53231-KKAK-900	2	F04
51000			52110-KKA8-900	2	F17	5323A-KKA8-900	2	F04
			52141-KKAK-900	0	F23	53600-KKAK-E0B	1	F04
51400-KEC2-E00	1	F06	52142-KKAK-900	0	F17			
51400-KEC2-E00	2	F06	52144-GBE2-006	0	F17	61000		
51401-KKAK-900	0	F06	52147-0H28-301	2	F04			
51402-KKAK-900	0	F06	52171-KKAK-900	0	F17	61100-KKA8-900	3	F05
51409-KKA8-900	3	F05	52400-KKA7-E00	0	F18	61311-KKAK-900	1	F01
51410-KKAK-900	0	F06				61312-KKA8-900	1	F02
51412-KKAK-900	0	F06	53000			61314-KKA8-900	0	F02
51420-KKAK-900	0	F06						
51422-KKAK-900	0	F06	53100-KKA8-900	2	F04	64000		
51423-KKAK-900	0	F06	53101-KKA8-900	1	F04			
51424-KKAK-900	0	F06	53140-KKA8-900	0	F03	64209-KKAK-900	0	F23
51427-KKAK-900	0	F06	53143-KKAK-900	1	F03	64313-KKAK-900	0	F02
51428-KKAK-900	0	F06	53150-KKA8-900	0	F03			
51429-KKAK-900	0	F06	53172-KKA8-900	0	F03	77000		
51500-KEC2-E00	1	F06	53175-KKA8-900	0	F03			
51500-KEC2-E00	2	F06	53178-KKA8-900	1	F03	77200-KKA8-900	0	F12
51520-KKAK-900	0	F06	53192-KKAK-900	0	F03	77210-KKA7-E00	6	F12
			5320A-KKA7-E00	0	F04	77211-KKA7-900	0	F12
			53211-0H28-011	2	F04			

PART NO. INDEX

PART NO.	VERSION	PAGE	PART NO.	VERSION	PAGE	PART NO.	VERSION	PAGE
80000			86000			88134-KKA8-900	0	F03
						88210-KHD8-900	1	F03
80102-KKAK-900	0	F19	86203-KKB5-E00	0	F25	89000		
80105-KKA8-900	1	F19	8622A-KKB5-E00	1	F25			
80105-KKAK-900	0	F19	8624A-KKB5-E00	0	F25	89010-KKAK-900	0	F19
80106-KKA8-900	1	F23	86304-KKB5-E00	1	F25	90000		
81000			87000			90001-GBHB-661	1	E02
81200-KKA8-900	0	F12	87224-KKB5-E00	0	F24	90005-KEC8-900	1	E02
81201-KKA8-900	0	F12	87501-KRDR-E00	2	F24	90012-4E15-001	0	E02
81203-KKA8-900	0	F12	87505-KKAK-Q00	0	F24	90019-KKAK-900	1	F23
81300-KKA8-900	1	F12	87507-KEC8-E00	0	F24	90023-KGG7-001	0	E06
83000			87508-KGG7-E00	1	F24	90031-KEBE-900	0	E07
			87511-KKAK-Q00	1	F24	90081-KKAK-900	0	E07
			87531-KKAK-900	2	F04	90084-4H28-001	0	E01
83540-KKA8-900	1	F13	88000			90084-KKAK-900	0	E06
83541-KKA8-900	0	F13				90087-KKAK-900	1	E06
83551-KKAK-900	0	F23				90101-0G87-721	2	F13
83618-KGG7-001	0	F14	88110-KKA8-900	1	F03	90101-KKAK-900	1	F16
83640-KKA8-900	1	F13	88115-KKA8-900	0	F03	90102-KFW6-001	1	F13
83641-KKA8-900	0	F13	88117-KKA8-900	0	F03	90102-KKAK-900	0	F04
			88118-KHD8-900	0	F03	90105-KEC8-900	0	F12
			88118-KKA8-900	0	F03	90105-KFC2-900	0	F12
			88120-KKA8-900	1	F03	90105-KKAK-900	2	F17

PART NO. INDEX

PART NO.	VERSION	PAGE	PART NO.	VERSION	PAGE	PART NO.	VERSION	PAGE
90106-KUDU-900	1	F12	90304-KKAK-900	1	F04	90524-0L30-001	0	F15
90107-KKAK-E00	0	F17	90305-KFW6-91A	0	F10	90524-KKAK-900	0	F17
90108-KKAK-900	1	F18	90306-GLW0-90A	1	F08	90525-KKAK-900	0	F09
90110-GLW0-001	0	F13	90306-KLF0-901	0	F04	9052A-GFY6-950	1	E07
90111-KFW6-001	0	F19	90306-KLF0-901	0	F17	90545-3L00-001	2	F03
90111-KFW6-001	0	F21	90309-GLW0-90A	1	F15	90549-1A21-001	0	F09
90112-KRDR-900	0	F22	90309-KLF0-004-SY	1	F23	90554-2C83-001	0	F06
90112-MGC7-001	0	F13	90321-KKAK-900	0	F03	90605-2L00-001	0	E09
90113-4B22-001	0	F03	90443-KEC2-900	0	E08	90652-GFY6-901	1	F14
90113-KKA8-900	0	F03	90451-0A01-001	0	E10	90664-2F16-901	0	F10
90116-3C83-72A	0	F06	90451-1G07-001	1	E09	90667-KKAK-C00	1	F04
90121-KKAK-900	3	F17	90451-3E65-001	0	E09	90668-KKA7-E00	0	F04
90128-KEC8-900	1	F10	90452-1G07-001	0	E09	90677-GAR1-004	1	F13
90136-KFW6-901	0	F11	90453-1G07-001	0	E09	90757-4K39-931	0	F10
90145-MKS9-61A	1	F03	90453-2E35-001	0	E09	90912-GHC8-00A	0	F23
90164-0H28-900	2	F04	90454-1G07-001	0	E09	90912-GHC8-00D	0	F23
90206-2L50-001	0	E02	90455-1G07-001	0	E09			
90231-2L00-011	1	E04	90459-1G07-001	0	E09	91000		
90231-KEC2-900	1	E08	90461-1G07-001	0	E05			
90301-4C73-004	0	F08	90462-1G07-001	0	E09	91002-KEB5-00A	0	E08
90301-6D34-671	1	F04	90465-MDC4-001	0	E02	91021-1H48-005	0	E06
90301-6D34-671	1	F12	90474-1G47-001	0	E06	91021-1H48-005	0	E07
90301-KKAK-900	0	F17	90501-GDT4-001	0	F11	91101-1K79-711	1	E06
90302-GFY6-901	1	F19	90503-0A51-870	0	F04	91104-KEC8-90A-B	0	E06
90302-SDA4-004	2	F13	90521-0H28-001	0	F16	91104-KEC8-90A-R	0	E06
90304-GHE8-004	0	F23	90522-KEC2-900	0	F10	91104-KEC8-90A-W	0	E06

PART NO. INDEX

PART NO.	VERSION	PAGE	PART NO.	VERSION	PAGE	PART NO.	VERSION	PAGE
91106-KHC4-90A	0	E07	92201-05025-0H	0	E06	93891-05016-06	0	F13
91106-KHC4-90B	0	E07	92201-08020-02	0	F15	93891-05016-08	0	F14
91201-0L30-034	0	E09	92201-08020-02	0	F22	93891-05020-06	0	F17
91204-2K59-004	1	E03	92700-06035-3E	0	E01	93892-04008-18	0	E11
91206-2F86-014	0	E07	92811-KKAK-900	2	F09	93893-04012-18	0	F03
91252-0L30-00A	0	F08	92812-KKAK-901	0	F17	93901-14020	0	F14
91252-0L30-00B	0	F08	92912-06018-0E	0	F08	93901-26110	0	F17
91258-4L10-00A	1	F08				93901-32420	0	F21
91301-KBE2-710	0	E03	93000			93903-24280-02	0	F17
91302-2L00-001	0	E01				93903-34260	0	F13
91302-5G67-004	0	E06	93500-03012-02	0	E04	93903-34360	0	F13
91303-1G07-001	1	E07	93500-04008-1H	0	E11	93903-34360	0	F19
91303-3G77-001	0	E01	93500-04010-1H	0	E11			
91303-3G77-001	0	E06	93500-04012-1H	0	E11	94000		
91305-MGC7-001	0	F11	93500-04014-1G	0	F04			
91306-1E05-691	0	E02	93500-05016-0H	0	E06	94001-06020-0S	0	F09
91307-0E35-001	0	E03	93500-05022-1B	0	F03	94001-06080-0S	0	F15
91359-3A71-004	0	E06	93500-05025-1B	0	F03	94001-08080-0S	0	F17
			93500-05032-1B	0	F03	94021-06020-0S	0	F02
92000			93500-06050-0H	0	E07	94021-10020-0S	0	F18
			93501-KEB7-900	1	F15	94030-06000-LH	0	F16
92000-06010-0H	0	E09	93600-04012-1G	0	F03	94030-06000-RH	0	F16
92000-06020-0H	0	E10	93700-05012-0H	0	E04	94031-10000	0	F10
92000-06020-0H	0	F16	93700-05016-0A	0	F02	94050-05080	0	F21
92000-06025-0H	0	E10	93700-05025-1B	0	F03	94050-06080	0	E04
92101-06036-0B	0	F09	93891-05006-02	0	E11	94050-06080	0	F01

PART NO. INDEX

PART NO.	VERSION	PAGE	PART NO.	VERSION	PAGE	PART NO.	VERSION	PAGE
94050-06080	0	F03	94301-10140	0	E07	95014-KKAK-E00	1	F17
94050-06080	0	F11	94301-10160	0	E01	95015-31001	0	F16
94050-06080	0	F14	94303-04065	0	E04	95015-41000	0	F16
94050-06080	0	F15	94401-25140	4	E08	95701-06006-02	0	F17
94050-06080	0	F22	94401-KEC2-900	0	E08	95701-06010-08	1	F22
94050-08080	0	E02	94510-12000	0	E10	95701-06012-08	0	F02
94050-08080	0	F11	94510-14000	0	E10	95701-06012-08	0	F14
94050-08080	0	F22	94510-16000	0	E09	95701-06012-08	0	F22
94050-10080	0	F20	94510-20000	0	E05	95701-06014-08	0	F14
94101-06800	0	F15	94510-20000	0	E09	95701-06014-08	0	F23
94101-06800	0	F17	94524-47000	0	F10	95701-06016-02	0	F20
94101-08800	0	F16	94601-15000	0	E08	95701-06016-06	1	F21
94101-08800	0	F17	94605-KKAK-900	0	F06	95701-06020-08	0	F05
94101-10800	0	F18	94608-30000	0	F06	95701-06022-08	0	E05
94101-12800	0	F16				95701-06028-02	0	E06
94101-12800	0	F18	95000			95701-06028-08	0	E01
94111-08800	0	F17				95701-08020-08	0	F12
94201-16120	0	F17	95002-02070	0	E11	95701-08032-06	0	F16
94201-20150	0	E03	95002-02080	0	F11	95701-KLLL-E00	0	E01
94201-20150	0	F16	95002-02120	1	F11	95801-08020-08	0	F23
94201-20150	0	F17	95002-02120	1	F14	95801-08025-00	0	F07
94201-25250	0	F16	95005-KGG7-901	1	F11	95801-08025-00	0	F22
94201-30250	0	F16	9500A-KBE2-700	0	E11	95801-08040-00	0	F04
94251-08400	0	E04	9500A-KKA8-900	0	F11	95801-08040-08	0	F04
94301-08140	0	E03	95014-75110	0	E05	95801-08070-00	0	F23
94301-10140	0	E06	95014-KKAK-920	1	F16	95801-08092-08	0	F23

PART NO. INDEX

PART NO.	VERSION	PAGE	PART NO.	VERSION	PAGE	PART NO.	VERSION	PAGE		
96000			96140-63010-10	0	F08	N				
			96140-63030-10	0	F10					
			96211-06000	0	F04					
	96001-06008-07	0	F15	96220-40100	0		E10	N413-18C00	0	E11
	96001-06012-08	0	E02	96220-60100	0		E06	N424-45A35	0	E11
	96001-06012-08	0	E04	96600-08015-10	1		E06	N425-4HLNL	0	E11
	96001-06012-08	0	E06	96700-06022-10	0		F03	N426-33C00	0	E11
	96001-06014-02	0	E06	96700-KFA6-900	0		F03			
	96001-06016-08	0	E01					W		
	96001-06016-08	0	E02	97000						
	96001-06020-02	0	E06					W1470-MW0-7500	0	E11
	96001-06028-02	0	E06	97000-KGG7-910	1		F10	W9353-36000	0	E11
	96001-06032-08	0	E04	97000-KLAL-910	1		F08	W9525-25250	0	E11
	96001-06032-08	0	E06							
	96001-06040-02	0	E03	98000				Y		
	96001-06040-02	0	E06							
	96001-06050-02	0	E03	98069-5771R	0		E01	Y1901-001-3400	0	E11
96001-06050-02	0	E06				Y1901-002-0100	0	E11		
96001-06060-02	0	F02	99000							
96001-06110-08	0	E01				Z				
96100-60010-00	0	E05	99101-116-1020	0	E11					
96100-60060-00	0	E09				Z062-0060	0	E11		
96100-62030-00	0	E07	K							
96100-62040-00	0	E09								
96100-63030-00	0	E07	K446-A31-0100	0	E11					
96120-62020-00	0	E09								