

PARTS CATALOGUE



MOBILESCOOTERS

EQ20BA(FL)

MICR0 3



Date : 2008/08/18

前言

- 本零件目录适用于EQ20BA(FL).机种,订购零件时,请参照本册
- 本册之配色表仅供参考,若于实车不符之处,以实车为准
- 贩卖记号(Sales mark):
 - 1、注明"***"记号,表示订购改零件是,请参照机车相片及配色表,并请在本零件号码最后加上色码
- 本册付梓印刷仓促,倘有错误或遗漏之处,敬请不吝赐教指正

ABOUT THIS PARTS LIST

- This parts list is compiled all service parts for model EQ20BA(FL).
- Any difference between color chart and motorcycle will be revised according to motorcycle.
- The sales mark:
 - 1.marking "***" must add color code in the end before ordering parts.
- When modification or additions to this parts list are made a revised edition at an appropriate time.

目录

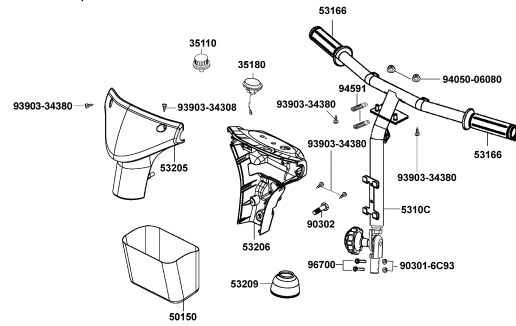
● 前言	1
● 配色表EQ20BA(FL).	3
● 引擎结构图	4
● 车架结构图	4
● 引擎零件号码表	6
● 车架零件号码表	6
● 零件号码索引	32

CONTENTS

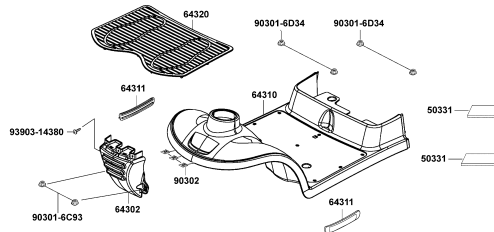
● ABOUT THIS PARTS LIST	1
● COLOR CHART OF EQ20BA(FL)	3
● CONTENTS-ENGINE GROUP	4
● CONTENTS-FRAME GROUP	4
● ENGINE PARTS LIST	6
● FRAME PARTS LIST	6
● PART NO. INDEX	32

CONTENTS - FRAME GROUP

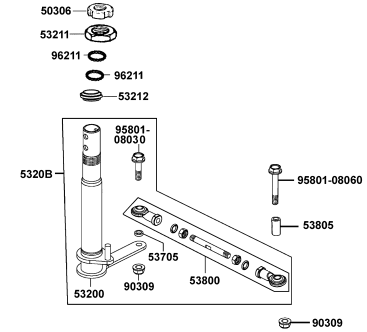
F01 转向手柄



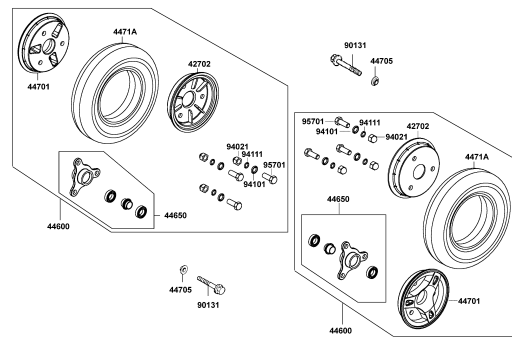
F02 脚踏板



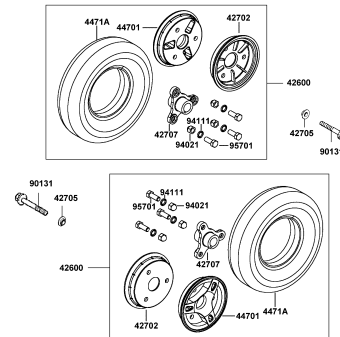
F03 转向杆



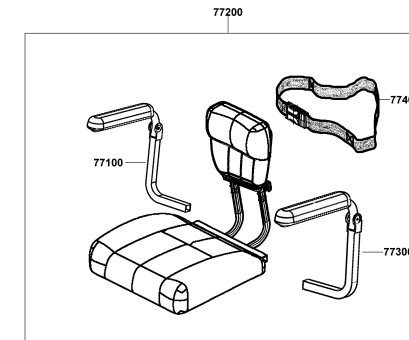
F04 前轮



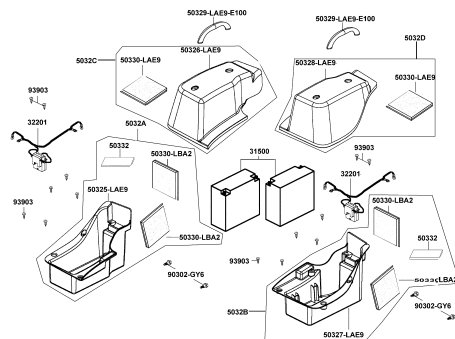
F05 后轮



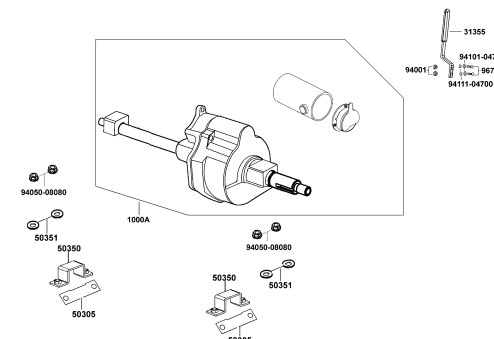
F06 坐垫



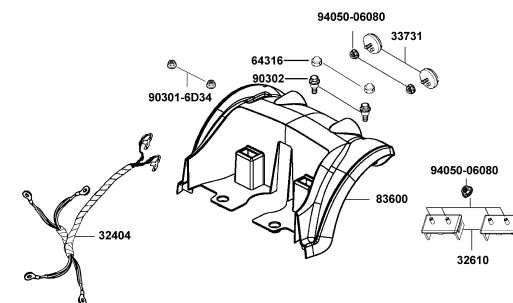
F07 电瓶



F08 电动马达组



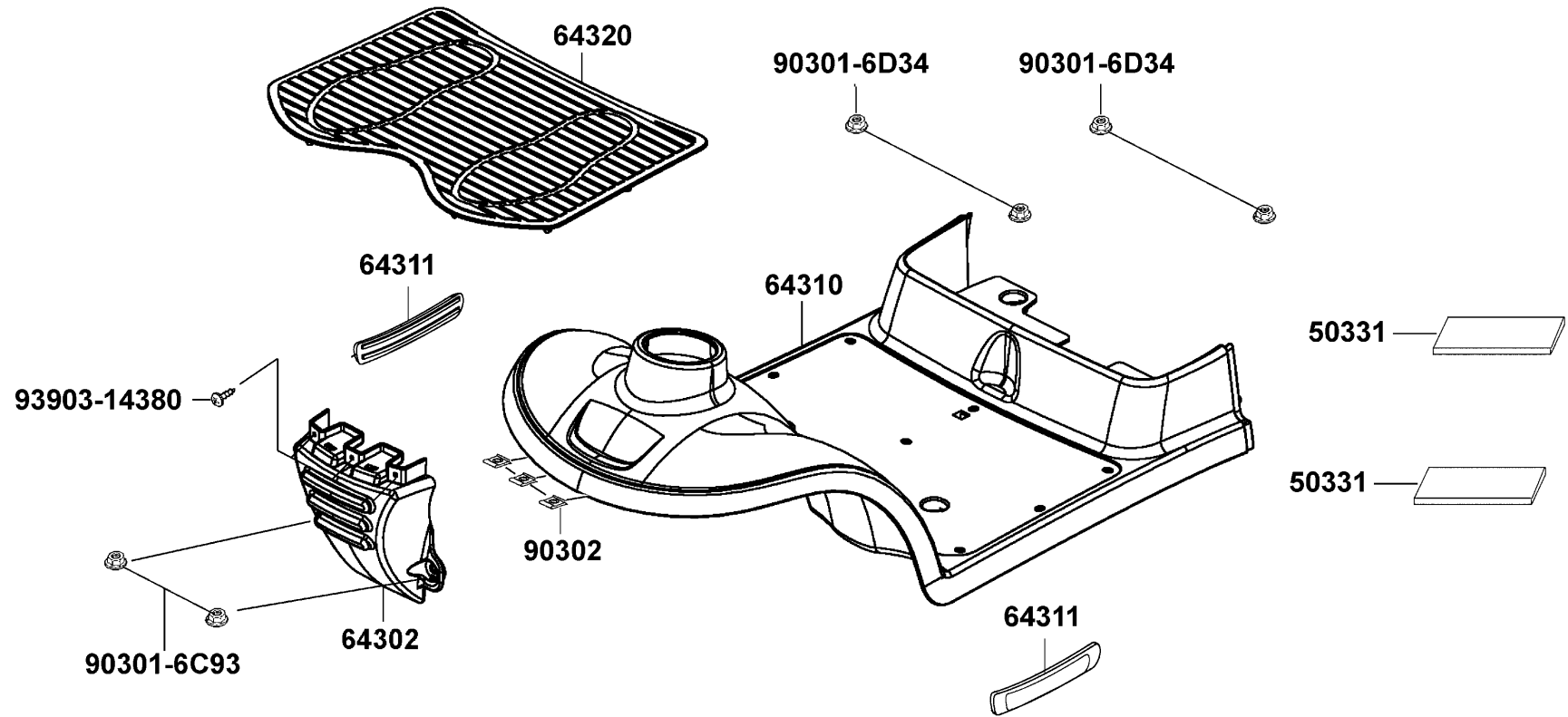
F09 反射器



Sales mark	Ref no	Part no	Ver	Description	Reg description	Regd no	F01
	35110	35110-LAC5-900	4	SW UNIT SPEED	速度开关	1	
	35180	35180-LAE9-C00	0	SW UNIT HORN	喇叭开关	1	
	50150	50150-LAE9-C00	0	BASKET	置物篮	1	
	5310C	5310C-LDE5-C00	0	HANDLE ASSY	把手组	1	
	53166	53166-LAE9-E00	3	GRIP HANDLE	把手握把	2	
**	53205	53205-LAE9-C00	0	COVER FR HANDLE	手把前盖	1	
**	53206	53206-LAE9-C00	4	COVER RR HANDLE	手把后盖	1	
	53209	53209-LAE9-E00	3	COVER DUST	防尘盖	1	
	90301	90301-6C93-001	0	NUT 6MM OPENSTAY	螺帽 6MM	4	
	90302	90302-LLB1-E00	2	BOLT-WASH 5X12	垫圈螺栓	6	
	93903	93903-34380	0	SCREW TAPPING 4*12 (K)	铁扳牙	6	
#	94050	94050-06080	0	NUT FLANGE 6MM	有边缘螺帽 NF 6MM	2	
	94591	94591-LDC8-E10	0	CLIP BIND	捆绑夹	2	
	96700	96700-LDE5-900	0	SCOKET BOLT 6*28 (K)	螺丝6*28(黑色)	2	

F02

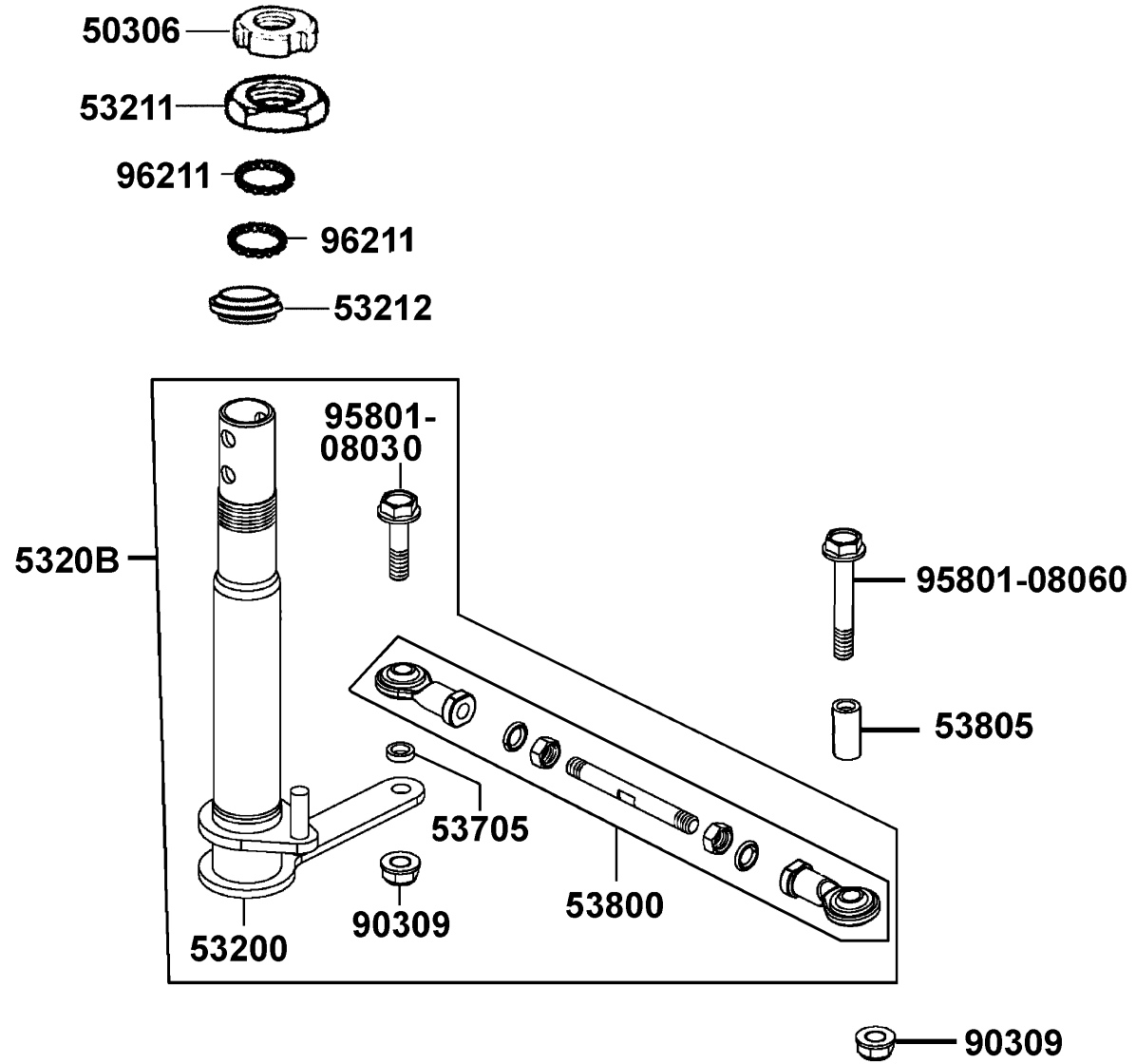
Panel Floor 脚踏板



Sales mark	Ref no	Part no	Ver	Description	Reg description	Regd no	F02
	50331	50331-LAE9-E00	0	DUAL LOCK M	魔术贴公端	2	
	64302	64302-LBB7-E00	1	BUMPER FR	前保险杠	1	
**	64310	64310-LBB7-C11	0	PANEL FLOOR	脚踏板	1	
	64311	64311-LBB7-E00	1	MOLD A(360)	A型边条	2	
	64320	64320-LBB7-C10	0	MAT FLOOR	踏板垫	1	
	90301-6C93	90301-6C93-001	0	NUT 6MM OPENSTAY	螺帽 6MM	2	
#	90301-6D34	90301-6D34-671	0	NUT FLANGE 6MM	NUT FLANGE 6MM	4	
#	90302	90302-SDA4-004	1	NUT SPRING 4MM	螺帽 4MM	3	
	93903	93903-14380	0	SCREW TAPPING 4*12 (K)	自攻螺丝(尖尾无沟)黑色	3	

F03

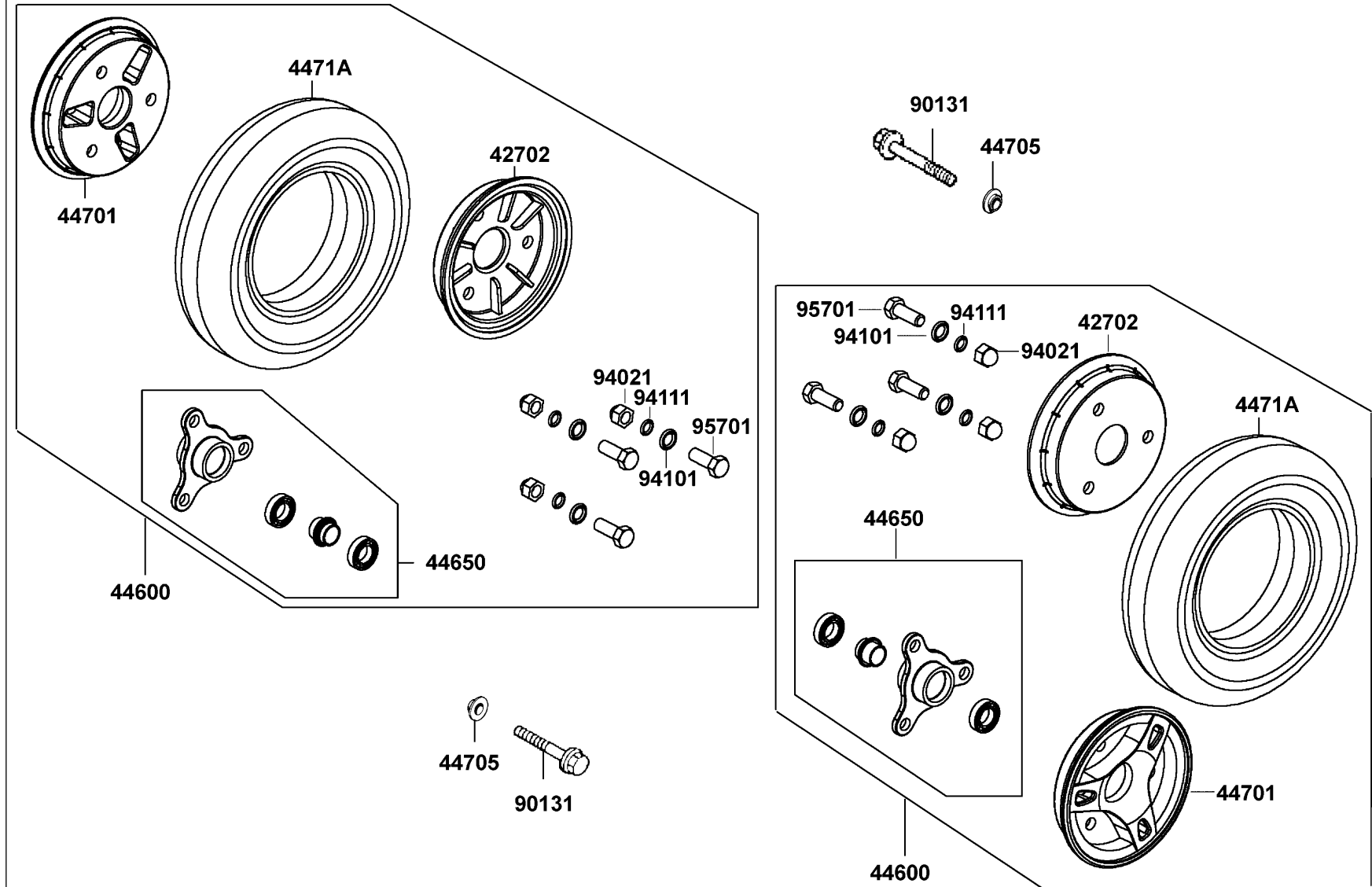
Stem Steering 转向杆



Sales mark	Ref no	Part no	Ver	Description	Reg description	Regd no	F03
	50306	50306-LCF7-C10	0	NUT STRG STEM LOCK	主干螺帽	1	
	53200	53200-LBB7-C00	0	STEM COMP STRG	转向杆	1	
	5320B	5320B-LBB7-C00	0	STEM ASSY STRG	转向转柄组	1	
	53211	53211-LCF7-C10	1	RACE STRG TOP CONE	上锥体座圈	1	
	53212	53212-GHC8-004	1	RACE STRG BOT CONE	下锥体座圈	1	
	53705	53705-LDB4-900	1	"COLLAR ,SWING ARM ROD(L=3)"	衬套	2	
	53800	53800-LBB7-C00	0	ROD ASSY STEERING	操纵连杆组	1	
	53805	53805-LBB7-C00	0	COLLAR STEM ROD(L=30)	连杆转向b环	1	
	90309	90309-GLW0-90A	0	NUT U FLANGE 8MM (C)	安全螺帽 8MM	2	
	95801-08030	95801-08030-06	0	BOLT FLANGE 8*30(G)	有边缘螺丝	1	
	95801-08060	95801-08060-06	0	BOLT FLANGE 8*60 (G)	有边缘螺丝(墨绿色)	1	
#	96211	96211-05000	0	BALL STEEL 5	钢珠	55	

F04

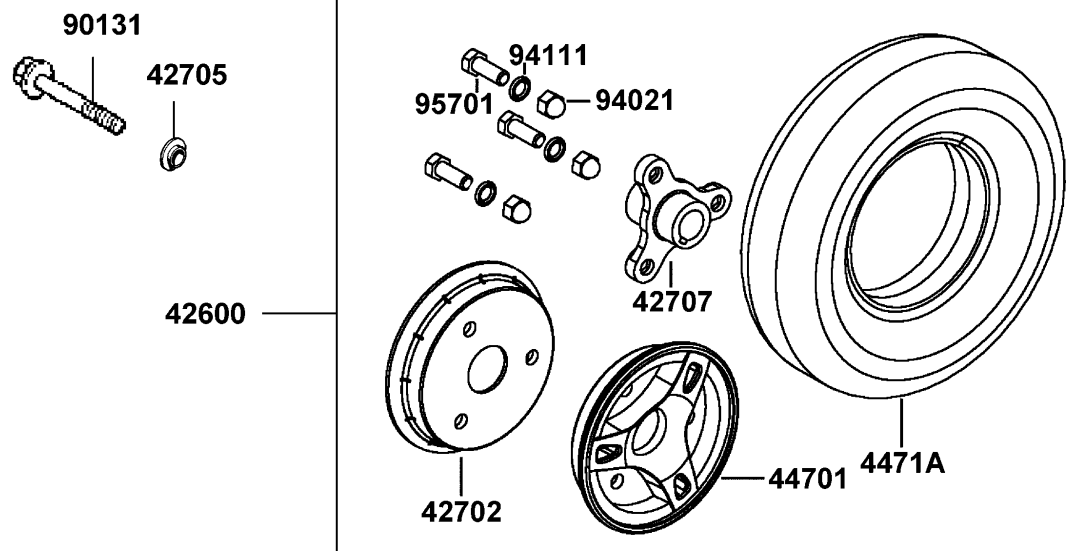
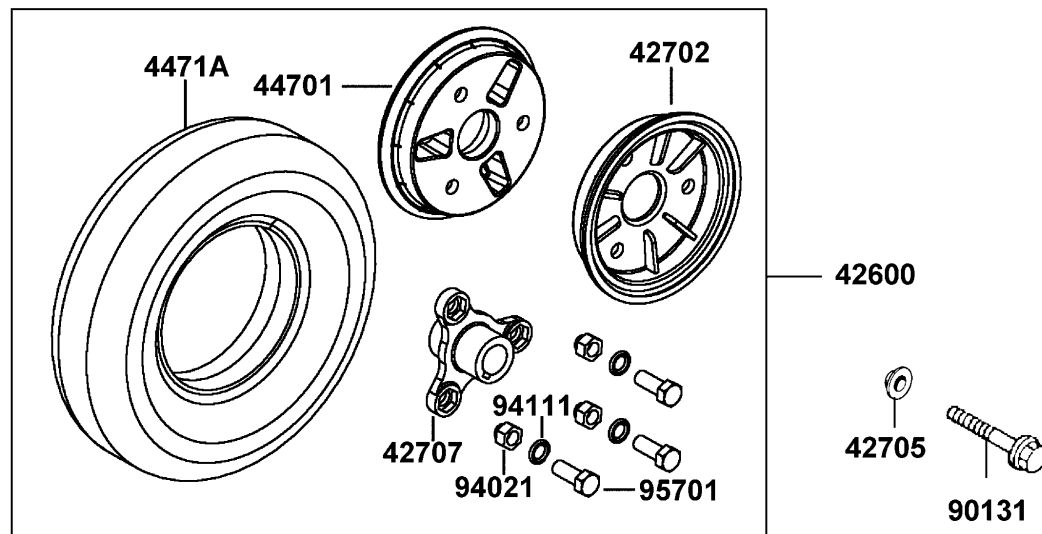
Front Wheel 前轮



Sales mark	Ref no	Part no	Ver	Description	Reg description	Regd no	F04
	42702	42702-LAE9-E00	1	RIM COMP FR	后轮圈	2	
	44600	44600-LBB7-C00	0	WHEEL ASSY FR	前轮组	1	
	44650	44650-LBB7-E00	2	WHEEL COMP FR	WHEEL COMP FR	2	
	44701	44701-LAC5-900	4	RIM CAST FR	RIM CAST FR	2	
	44705	44705-LDE5-900	2	WASHER 8*25	小螺丝附装WASHER	1	
	4471A	4471A-LAE9-C00	0	TIRE ASSY FR	轮胎	2	
	90131	90131-LCA1-E00	2	BOLT FLANGE 8X16(B)	有边缘螺丝	1	
	94021	94021-08000-0S	0	NUT HEX CAP 8MM (B)	六角螺帽	6	
	94101	94101-08000	0	WASHER PLAIN 8MM (B)	平面垫圈	6	
	94111	94111-08000	0	WASHER SPG 8MM (B)	弹簧垫圈 (白色)	6	
	95701	95701-08025-00	0	BOLT FLANGE 8*25 (B)	有边缘螺丝 BF 8*25(银白色)	6	

F05

Rear Wheel 后轮

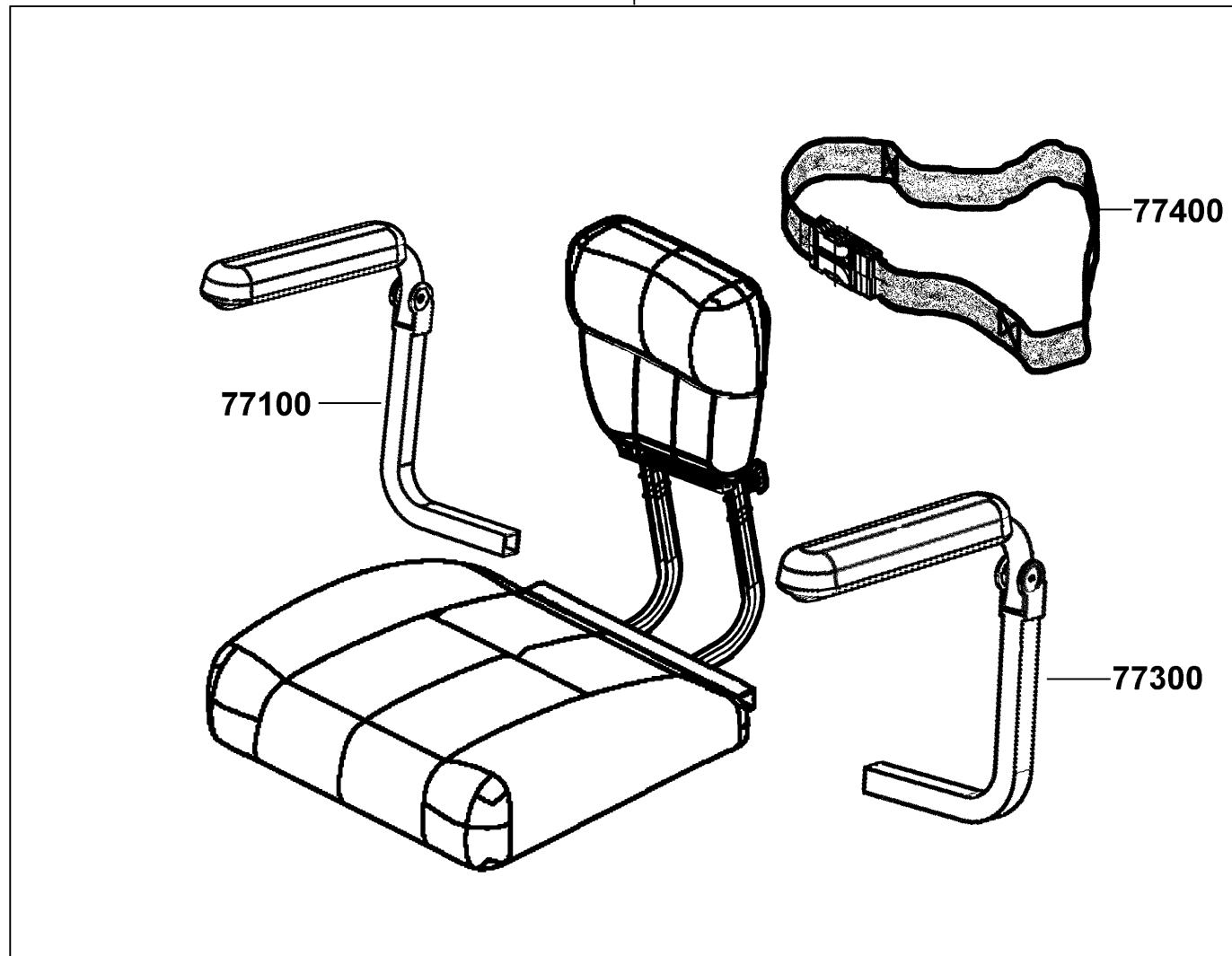


Sales mark	Ref no	Part no	Ver	Description	Reg description	Regd no	F05
42600		42600-LAE9-C00	0	WHEEL ASSY RR	后轮组	2	
42702		42702-LAE9-E00	1	RIM COMP FR	后轮圈	2	
42705		42705-LBB7-C00	0	WASHER 8*35*2	华司 8MM	2	
42707		42707-LAE9-E00	5	CONNECTOR RR WHEEL	后轮轴	2	
44701		44701-LBB6-900	2	RIM CAST FR	前轮圈	2	
4471A		4471A-LAE9-C00	0	TIRE ASSY FR	轮胎	2	
90131		90131-LCA1-E00	2	BOLT FLANGE 8X16(B)	有边缘螺丝	2	
94021		94021-08000-0S	0	NUT HEX CAP 8MM (B)	六角螺帽	6	
94111		94111-08000	0	WASHER SPG 8MM (B)	弹簧垫圈 (白色)	6	
95701		95701-08025-07	0	BOLT FLANGE 8*25 (B)	螺丝6*25	6	

F06

SEAT ASSY 坐墊

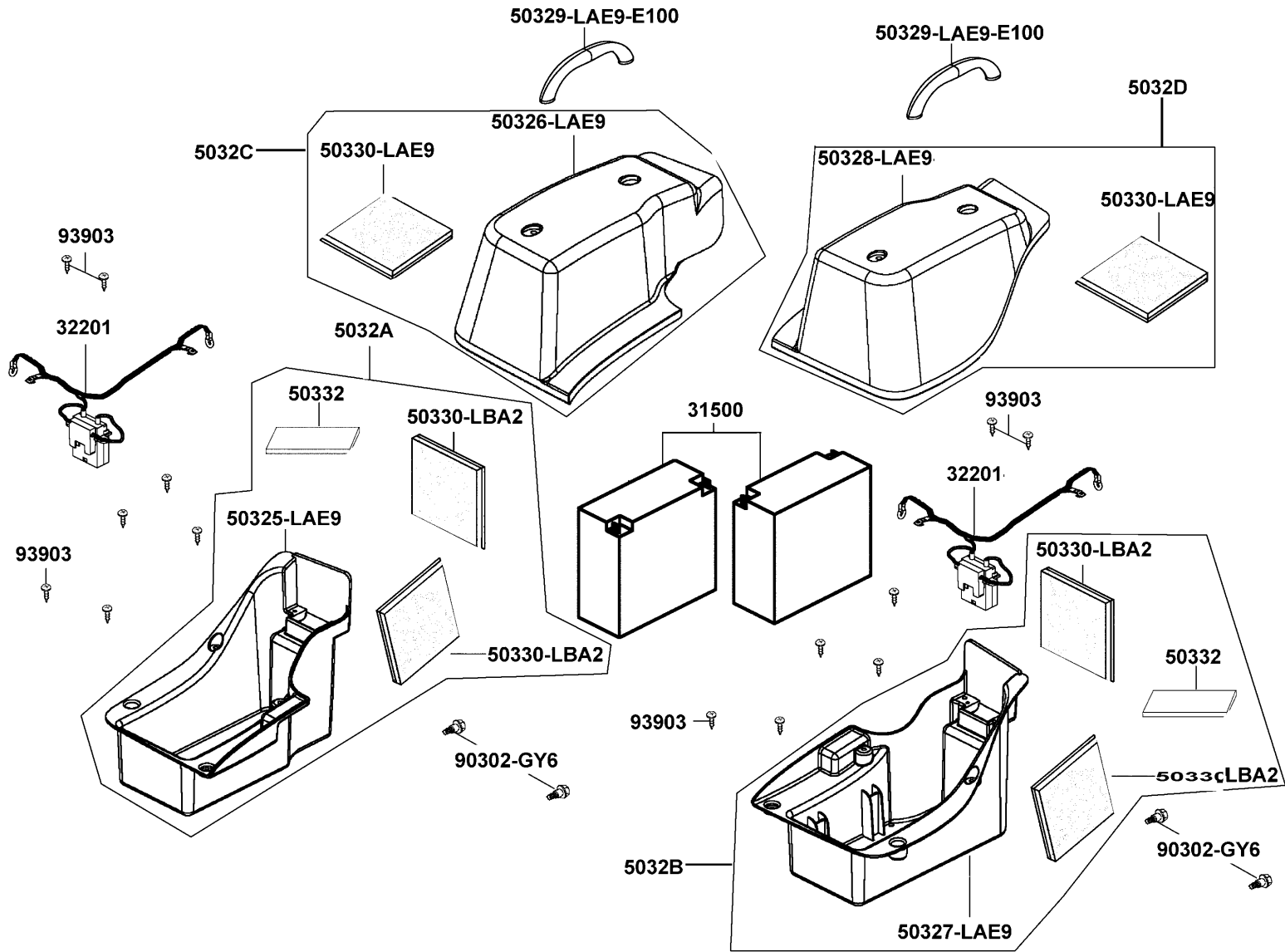
77200



Sales mark	Ref no	Part no	Ver	Description	Reg description	Regd no	F06
	77100	77100-LAE9-C00	2	ARM REST ASSY R/H	右扶手组	1	
	77200	77200-LAE9-M30	0	SEAT ASSY	座垫组	1	
	77300	77300-LAE9-C00	2	ARM REST ASSY L/H	左扶手组	1	
	77400	77400-LCA1-3050	0	"BELT,SAFETY"	保险带	1	

F07

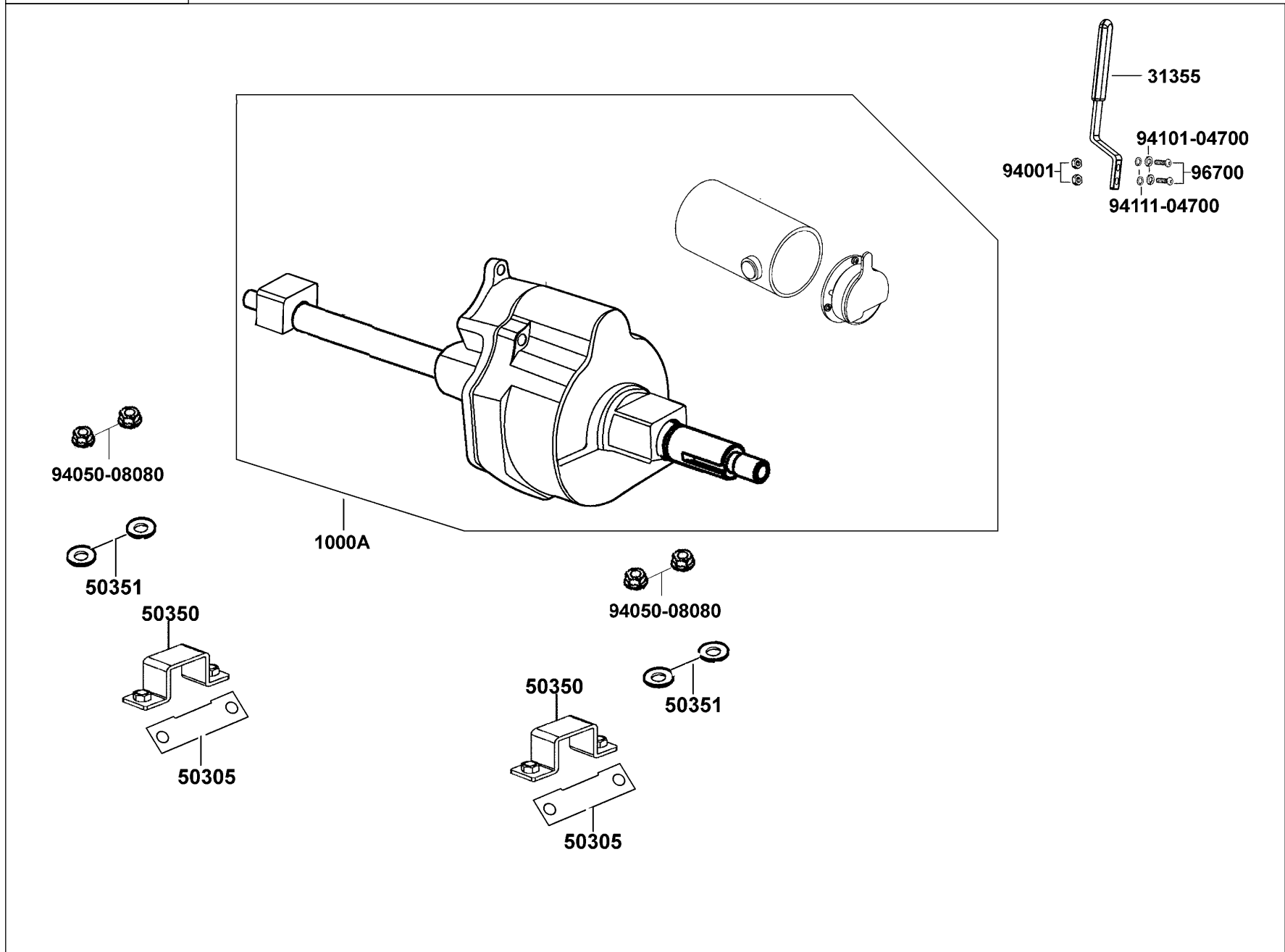
Battery 电瓶



Sales mark	Ref no	Part no	Ver	Description	Reg description	Regd no	F07
	31500	31500-LAE9-C11	1	BATTERY 12V 17AH	电瓶12V 17AH (6DZM16)	2	
	32201	32201-LAE9-E01	5	CONNECT CORD BATTERY	电池接线	2	
	32620	32620-LAE9-E01	0	SOCKET CHARGER	充电座	1	
	50325	50325-LAE9-E01	0	CASE BATTERY RH (17AH)	右电池盒	1	
**	50326	50326-LAE9-E01	0	COVER BATTERY R/H (17AH)	右电瓶盒盖	1	
	50327	50327-LAE9-E01	0	CASE BATTERY LH (17AH)	左电池盒	1	
**	50328	50328-LAE9-E01	0	COVER BATTERY L/H (17AH)	左电瓶盒盖	1	
	50329	50329-LAE9-E01	0	GRIP BATTERY COVER (17AH)	电池盖把手	2	
	5032A	5032A-LAE9-E01	3	CASE ASSY BATTERY RH (17AH)	电瓶盒座右 (17AH)	1	
	5032B	5032B-LAE9-E01	3	CASE ASSY BATTERY LH (17AH)	电瓶盒座左 (17AH)	1	
**	5032C	5032C-LAE9-E01	0	COVER ASSY BATTERY RH (17AH)	右电瓶盒盖总成	1	
**	5032D	5032D-LAE9-E01	0	COVER ASSY BATTERY LH (17AH)	左电瓶盒盖总成	1	
	50330-LAE9	50330-LAE9-C10	0	SPONGE BATTERY	电池盒泡绵(25mm)	4	
	50330-LBA2	50330-LBA2-C10	0	SPONGE BATTERY	电池盒泡绵	4	
	50332	50332-LDE4-E00	0	DUAL LOCK F	魔术贴-母	2	
	90302	90302-GFY6-901	1	BOLT WASH 5*12	BOLT WASH 5*12	4	
#	90677	90677-GAR1-004	0	NUT CLIP 5MM	弹簧螺帽 5MM	1	
	93891	93891-05012-07	0	SCREW WASH 5*12 (k)	螺丝5*12/黑色	1	
	93903	93903-GFY6-900	2	SCREW TAPPING 4*14	铁扳牙	14	

F08

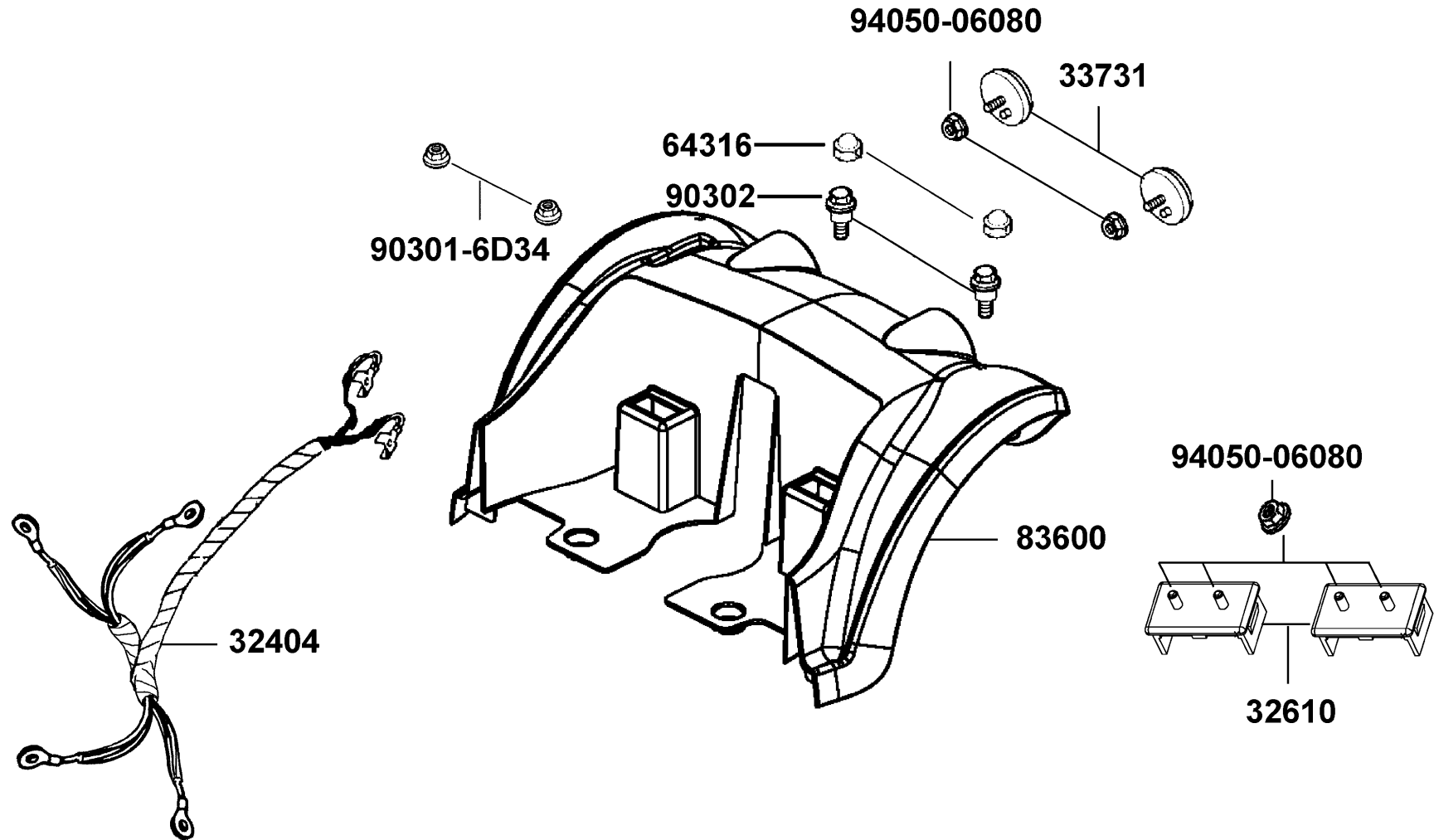
Motor Translax Assy 电动马达组



Sales mark	Ref no	Part no	Ver	Description	Reg description	Regd no	F08
	1000A	1000A-LAE9-C00	0	MOTOR TRANSLAXE ASSY	马达组	1	
	31355	31355-LAE9-C00	1	REAR BREAK LEVEL	后刹车拉柄	1	
	50305	50305-LAC5-900	0	RUBBER MOTOR	马达橡皮	2	
	50350	50350-LAC5-900	0	CONNECTOR L GEAR BOX	左连接齿杆	2	
	50351	50351-LAE9-C00	0	COLLAR TRANSLAXE MOTOR	马达垫圈	4	
	94001	94001-04070	0	NUT HEX 4MM (K)	六角NUT(普通)黑色	2	
	94050	94050-08080	0	NUT FLANGE 8MM	边缘螺帽(黄色)	4	
	94101	94101-04700	0	WASHER PLAIN 4MM (K)	平面垫圈	2	
	94111	94111-04700	0	WASHER SPG 4MM (K)	弹簧垫圈4MM	2	
	96700	96700-04012-07	0	SCOKET BOLT 4*12 (K)	内六角黑色螺丝4*12	2	

F09

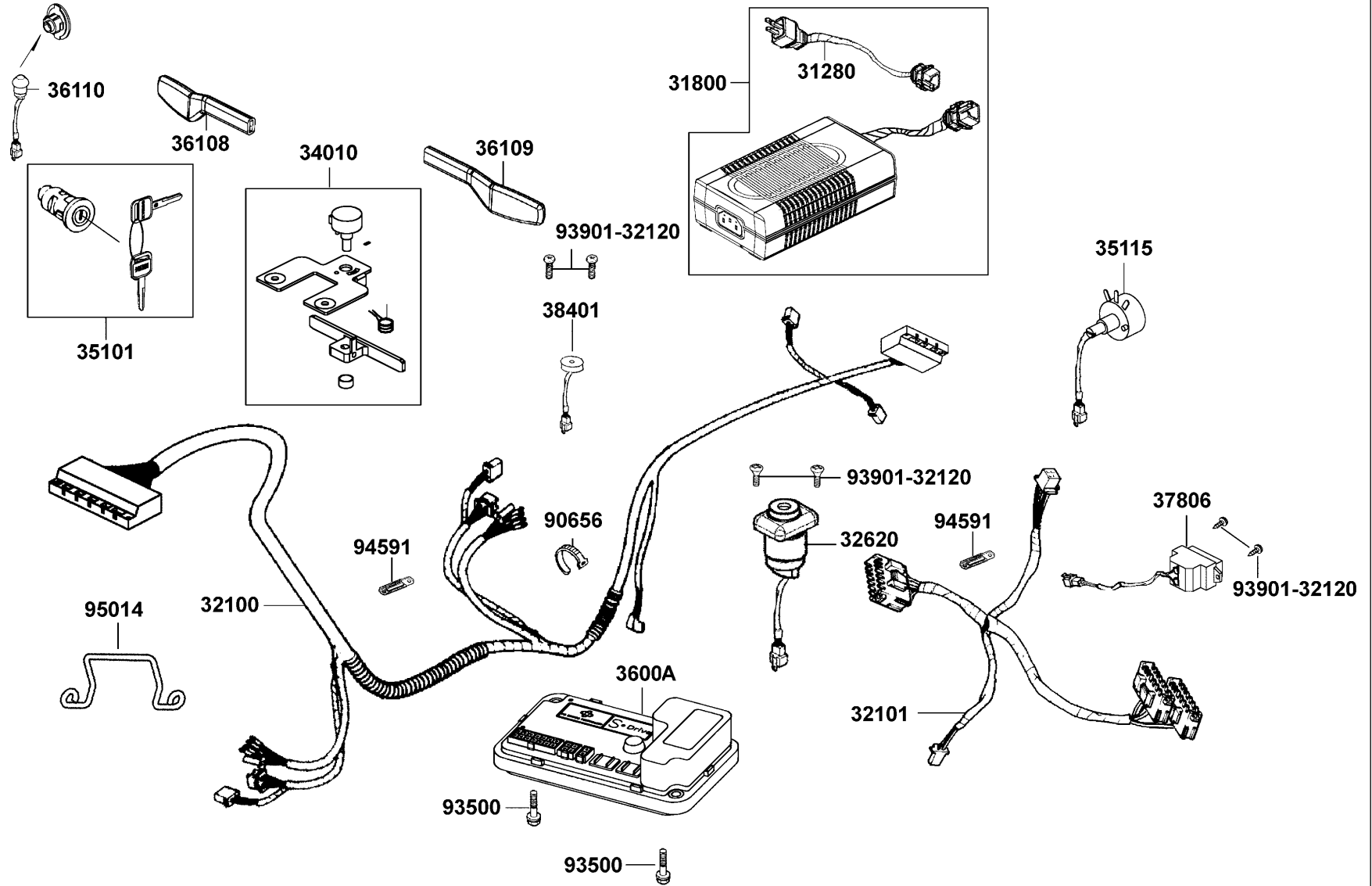
Reflex Reflector Side 反射器



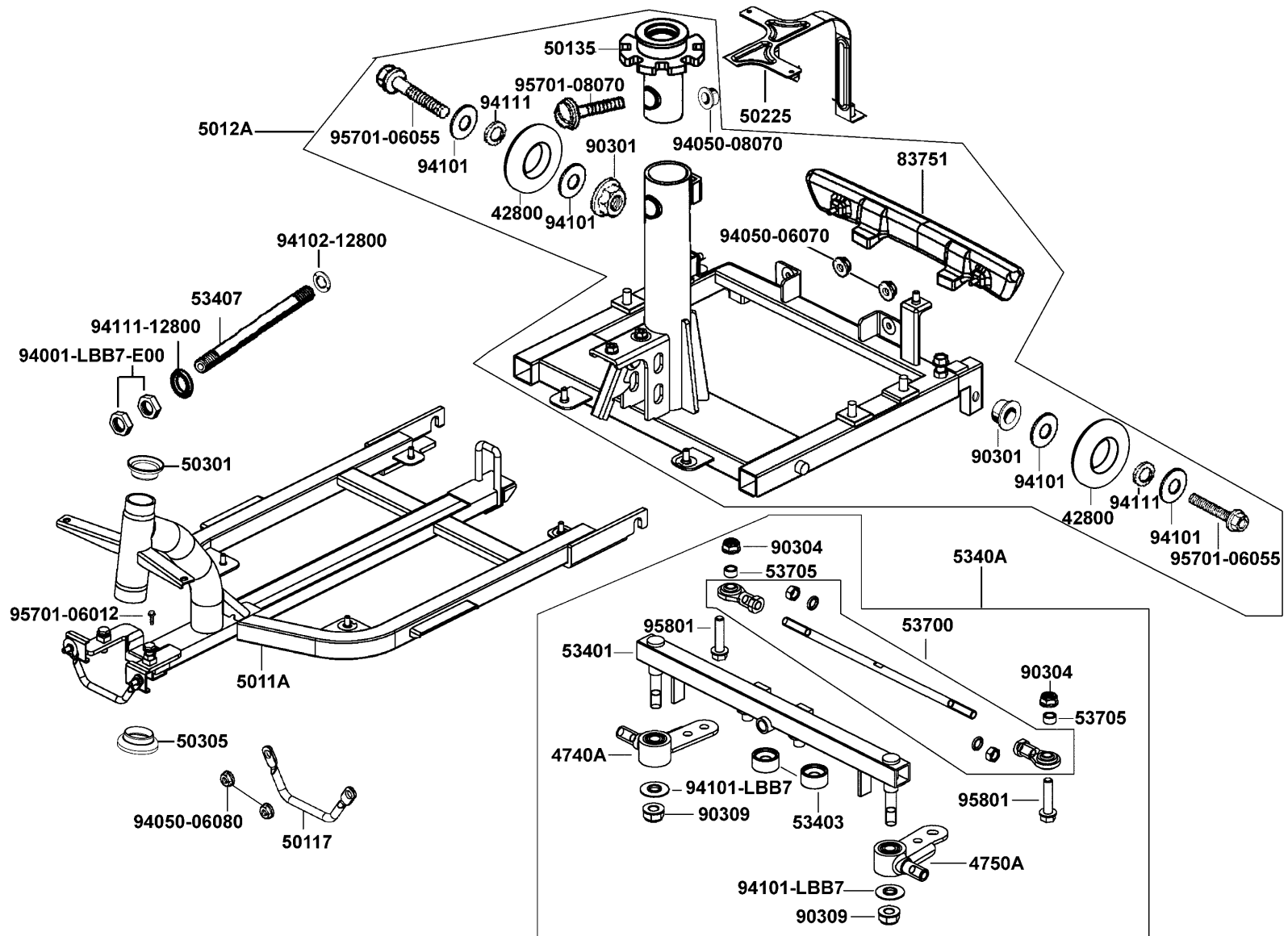
Sales mark	Ref no	Part no	Ver	Description	Reg description	Regd no	F09
	32404	32404-LAE9-E00	3	POWER CORD	电源接线	1	
	32610	32610-LAE9-E00	0	COUPLER M BATTERY	COUPLER M BATTERY	2	
	33731	33731-KFA6-C00	0	REFLEX REFLECTOR SIDE	反射器边反射	2	
	64316	64316-LAE9-E00	1	PLUG BODY COVER	PLUG BODY COVER	2	
**	83600	83600-LAE9-E00	3	COVER BODY	COVER BODY	1	
#	90301	90301-6D34-671	0	NUT FLANGE 6MM	NUT FLANGE 6MM	2	
	90302	90302-LLB1-E00	2	BOLT-WASH 5X12	垫圈螺栓	1	
#	94050	94050-06080	0	NUT FLANGE 6MM	有边缘螺帽 NF 6MM	6	

F10

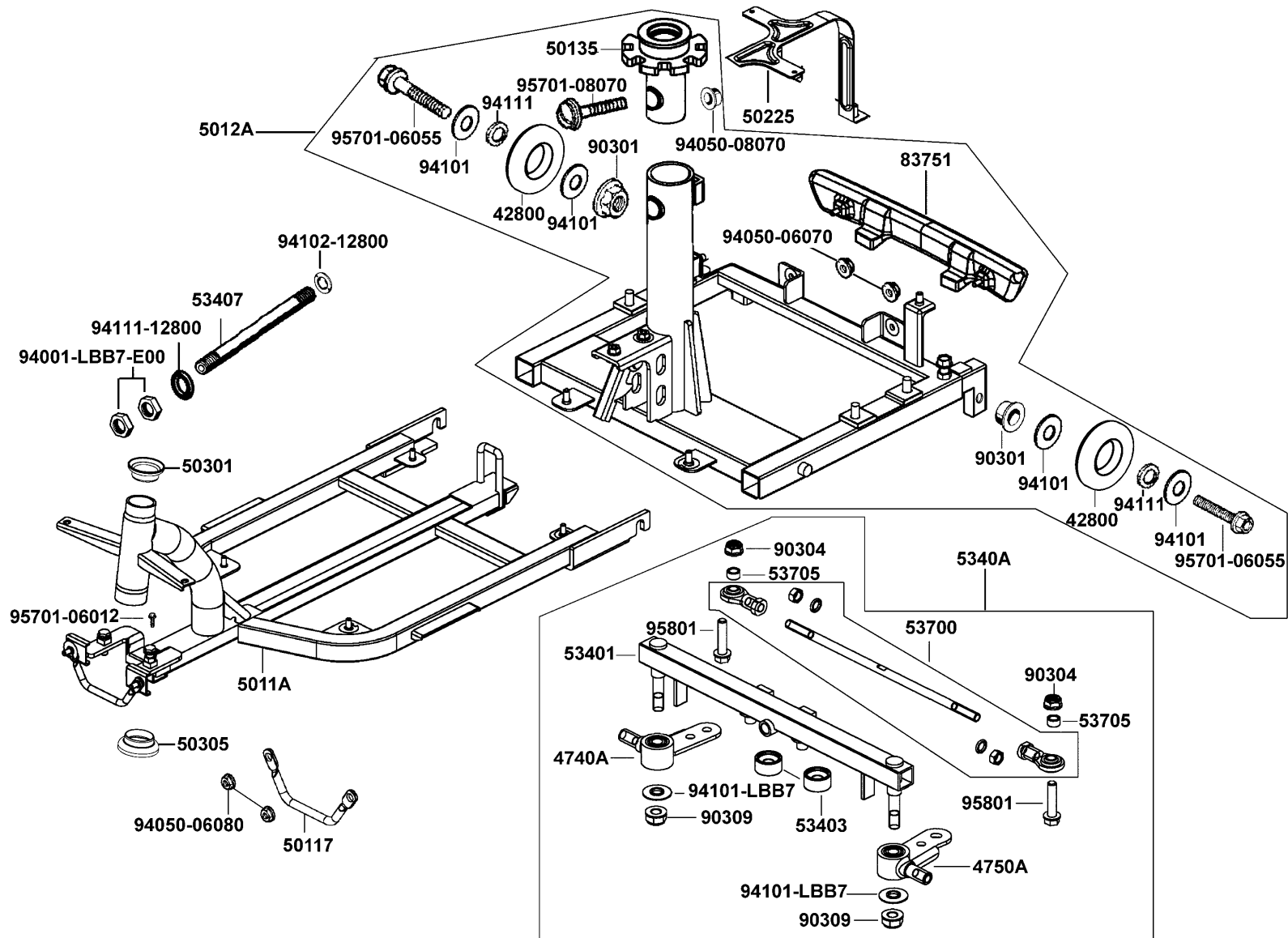
Wire Harness 主配线



Sales mark	Ref no	Part no	Ver	Description	Reg description	Regd no	F10
	31280	31280-LAC5-E20	1	CORD AC POWER	CORD AC POWER	1	
	31800	31800-LAE9-E20	1	BATTERY CHARGER ASSY	电瓶充电组	1	
	32100	32100-LAE9-C00	2	HARNESS WIRE	主配线	1	
	32101	32101-LAE9-E00	3	SUB HARNESS A	副配线	1	
	32620	32620-LAE9-E01	0	SOCKET CHARGER	充电座	1	
	34010	34010-LAE9-C00	2	THROTTLE	节流阀	1	
	35101	35101-LBB7-C10	0	SW ASSY COMP	主开关组	1	
	35115	35115-LAE9-C00	0	VARIABLE RESISTER 20K	VARIABLE RESISTER 20K	1	
	3600A	3600A-LAE9-C10	1	ELEC CONTROLLER ASSY	ELEC CONTROLLER ASSY	1	
	36108	36108-LAE9-C00	0	LEVER RH THROTTLE	右拉杆节流阀	1	
	36109	36109-LAE9-C00	0	LEVER LH THROTTLE	佐拉杆节流阀	1	
	36110	36110-LAE9-C00	0	LED	LED	1	
	37806	37806-LAE9-C00	0	VU METER	VU METER	1	
	38401	38401-LAE9-C00	3	BUZZER COMP ELECTRON	电子蜂鸣器总承	1	
#	90656	90656-KCBC-900	0	BAND OIL HANDLE	油管束带	1	
	93500	93500-04030-07	0	SCREW PAN 4*30 (C)	附十字穴小芽径(黑色)	2	
	93901	93901-32120	0	SCREW TAPPING 3*8 (C)	锅头(2种附沟)五彩3X8	10	
	94591	94591-KFBF-900	2	CLIP 2*70	CLIP 2*70	2	
	95014	95014-LBB7-C10	0	SPRING	弹簧夹	1	



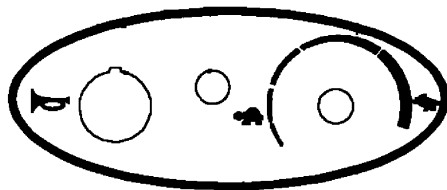
Sales mark	Ref no	Part no	Ver	Description	Reg description	Regd no	F11
	42800	42800-LAC5-900	4	WHEEL AUX	WHEEL AUX	2	
	4740A	4740A-LBB7-C00	0	"SHAFT ASSY ,RH"	右摇轴组	1	
	4750A	4750A-LBB7-C00	0	"SHAFT ASSY ,LH"	左摇臂组/电代车	1	
	50117	50117-LBB7-E00	1	BAR FR BUMPER	BAR FR BUMPER	1	
	5011A	5011A-LBB7-C00	0	FRONT FRAME ASSY	前车架组	1	
	5012A	5012A-LAE9-C00	2	REAR FRAME ASSY	REAR FRAME ASSY	1	
	50135	50135-LDE5-900	1	"PIPE B,SEAT SET"	PIPE B SEAT SET	1	
	50225	50225-LAE9-700	1	STAY ECU	STAY ECU	1	
	50301	50301-GLM0-001	0	RACE UPPER STRG BALL	上珠碗	1	
	50305	50305-GHC8-004	0	RACE UNDER STRG BALL	下珠碗	1	
	53401	53401-LBB7-C00	0	"ARM COMP ,SWING"	摇臂总成	1	
	53403	53403-LBB7-E00	1	RUBBER SWING	橡皮	2	
	53407	53407-LBB7-C00	1	BOLT PIVOT SWING	凸缘螺栓	1	
	5340A	5340A-LBB7-C00	0	ARM ASSY SWING	臂组	1	
	53700	53700-LBB7-C00	0	"ROD ASSY ,SWING"	连杆摇臂组	1	
	53705	53705-LDB4-900	1	"COLLAR ,SWING ARM ROD(L=3)"	衬套	2	
	83751	83751-LAE9-E00	2	BUMPER RR	后保险杆	1	
	90301	90301-4C73-0040	0	NUT U 6MM(K)	安全螺帽6MM	2	
	90304	90304-GHE8-004	4	NUT U 10MM(C)	安全螺帽 10MM	2	
	90309	90309-GLW0-90A	0	NUT U FLANGE 8MM (C)	安全螺帽 8MM	2	



Sales mark	Ref no	Part no	Ver	Description	Reg description	Regd no	F11
	94001	94001-LBB7-E00	1	NUT HEX SPECIAL 12MM	六角螺帽12MM	2	
	94050-06070	94050-06070	0	NUT FLANGE 6MM(K)	螺丝	4	
#	94050-06080	94050-06080	0	NUT FLANGE 6MM	有边缘螺帽 NF 6MM	4	
	94050-08070	94050-08070	0	NUT FLANGE 8MM(K)	边缘螺帽 (黑色)	1	
	94101-06800	94101-06800	0	WASHER PLAIN 6MM	WASHER PLAIN 6MM	4	
	94101-LBB7	94101-LBB7-C10	0	WASHER 10.5*18*1.6	华司 10.5*18*1.5	2	
	94102	94102-12800	0	WASHER PLAIN 12MM (C)	平面垫圈	1	
	94111-06700	94111-06700	0	WASHER SPG 6MM(K)	弹簧垫圈	2	
	94111-12800	94111-12800	0	WASHER SPG 12MM	弹簧垫圈(黄色)	1	
	95701-06012	95701-06012-07	0	BOLT FLANGE 6*12(K)	有边缘螺丝(黑色)	1	
	95701-06055	95701-06055-07	0	BOLT FLANGE 6/55(K)	有边缘螺丝	2	
	95701-08070	95701-08070-07	0	BOLT FLANGE 8*70(K)	有边缘螺丝 (黑色)	1	
	95801	95801-08030-06	0	BOLT FLANGE 8*30(G)	有边缘螺丝	2	



87532-KGAG-V00



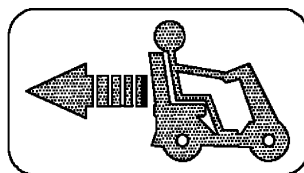
86407-LAE9-E00



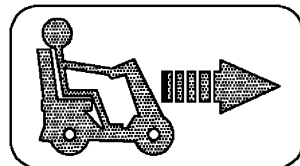
87541-LAE9-E00



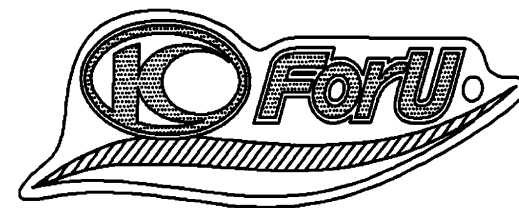
87501-LAE9-E00



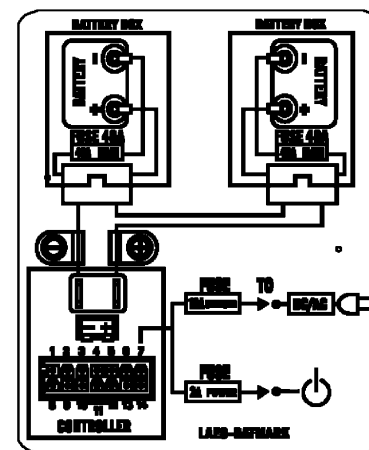
87660-LAE9-E00



87560-LAE9-E00



86211-LDB4-900



87508-LAE9-E00

Sales mark	Ref no	Part no	Ver	Description	Reg description	Regd no	F12
**	86211	86211-LDB4-900	0	STRIPE B BODY COVER	FORU 贴纸	1	
**	86407	86407-LAE9-E00	1		[not define]	1	
**	87501	87501-LAE9-E00	4		[not define]	1	
**	87508	87508-LAE9-E00	1	LABEL BATTERY	电路图	1	
**	87532	87532-KGAG-V000	5		[not define]	1	
**	87541	87541-LAE9-E00	1	GAUTION LOCK	防夹手贴纸	1	
**	87560	87560-LAE9-E00	4		[not define]	1	
**	87660	87660-LAE9-E00	4		[not define]	1	

PART NO. INDEX

PART NO.	VERSION	PAGE	PART NO.	VERSION	PAGE	PART NO.	VERSION	PAGE
10000			34000			42000		
1000A-LAE9-C00	0	F08	34010-LAE9-C00	2	F10	42600-LAE9-C00	0	F05
						42702-LAE9-E00	1	F04
31000			35000			42702-LAE9-E00	1	F05
31280-LAC5-E20	1	F10	35101-LBB7-C10	0	F10	42705-LBB7-C00	0	F05
31355-LAE9-C00	1	F08	35110-LAC5-900	4	F01	42707-LAE9-E00	5	F05
31500-LAE9-C11	1	F07	35115-LAE9-C00	0	F10	42800-LAC5-900	4	F11
31800-LAE9-E20	1	F10	35180-LAE9-C00	0	F01			
						44000		
32000			36000			44600-LBB7-C00	0	F04
32100-LAE9-C00	2	F10	3600A-LAE9-C10	1	F10	44650-LBB7-E00	2	F04
32101-LAE9-E00	3	F10	36108-LAE9-C00	0	F10	44701-LAC5-900	4	F04
32201-LAE9-E01	5	F07	36109-LAE9-C00	0	F10	44701-LBB6-900	2	F05
32404-LAE9-E00	3	F09	36110-LAE9-C00	0	F10	44705-LDE5-900	2	F04
32610-LAE9-E00	0	F09				4471A-LAE9-C00	0	F04
32620-LAE9-E01	0	F07				4471A-LAE9-C00	0	F05
32620-LAE9-E01	0	F10						
			37000			47000		
			37806-LAE9-C00	0	F10	4740A-LBB7-C00	0	F11
33000						4750A-LBB7-C00	0	F11
33731-KFA6-C00	0	F09						
			38000					
			38401-LAE9-C00	3	F10			

PART NO. INDEX

PART NO.	VERSION	PAGE	PART NO.	VERSION	PAGE	PART NO.	VERSION	PAGE
50000			50350-LAC5-900	0	F08			
			50351-LAE9-C00	0	F08	64000		
50117-LBB7-E00	1	F11	53000			64302-LBB7-E00	1	F02
5011A-LBB7-C00	0	F11				64310-LBB7-C11	0	F02
5012A-LAE9-C00	2	F11	5310C-LDE5-C00	0	F01	64311-LBB7-E00	1	F02
50135-LDE5-900	1	F11	53166-LAE9-E00	3	F01	64316-LAE9-E00	1	F09
50150-LAE9-C00	0	F01	53200-LBB7-C00	0	F03	64320-LBB7-C10	0	F02
50225-LAE9-700	1	F11	53205-LAE9-C00	0	F01			
50301-GLM0-001	0	F11	53206-LAE9-C00	4	F01	77000		
50305-GHC8-004	0	F11	53209-LAE9-E00	3	F01			
50305-LAC5-900	0	F08	5320B-LBB7-C00	0	F03	77100-LAE9-C00	2	F06
50306-LCF7-C10	0	F03	53211-LCF7-C10	1	F03	77200-LAE9-M30	0	F06
50325-LAE9-E01	0	F07	53212-GHC8-004	1	F03	77300-LAE9-C00	2	F06
50326-LAE9-E01	0	F07	53401-LBB7-C00	0	F11	77400-LCA1-3050	0	F06
50327-LAE9-E01	0	F07	53403-LBB7-E00	1	F11			
50328-LAE9-E01	0	F07	53407-LBB7-C00	1	F11	83000		
50329-LAE9-E01	0	F07	5340A-LBB7-C00	0	F11			
5032A-LAE9-E01	3	F07	53700-LBB7-C00	0	F11	83600-LAE9-E00	3	F09
5032B-LAE9-E01	3	F07	53705-LDB4-900	1	F03	83751-LAE9-E00	2	F11
5032C-LAE9-E01	0	F07	53705-LDB4-900	1	F11			
5032D-LAE9-E01	0	F07	53800-LBB7-C00	0	F03	86000		
50330-LAE9-C10	0	F07	53805-LBB7-C00	0	F03			
50330-LBA2-C10	0	F07				86211-LDB4-900	0	F12
50331-LAE9-E00	0	F02				86407-LAE9-E00	1	F12
50332-LDE4-E00	0	F07						

PART NO. INDEX

PART NO.	VERSION	PAGE	PART NO.	VERSION	PAGE	PART NO.	VERSION	PAGE	
87000			90656-KCBC-900	0	F10	94101-08000	0	F04	
			90677-GAR1-004	0	F07	94101-LBB7-C10	0	F11	
						94102-12800	0	F11	
						94111-04700	0	F08	
	87501-LAE9-E00	4	F12	93000		94111-06700	0	F11	
	87508-LAE9-E00	1	F12			94111-08000	0	F04	
	87532-KGAG-V000	5	F12	93500-04030-07	0	F10	94111-08000	0	F05
	87541-LAE9-E00	1	F12	93891-05012-07	0	F07	94111-12800	0	F11
	87560-LAE9-E00	4	F12	93901-32120	0	F10	94591-KFBF-900	2	F10
	87660-LAE9-E00	4	F12	93903-14380	0	F02	94591-LDC8-E10	0	F01
			93903-34380	0	F01				
			93903-GFY6-900	2	F07				
90000						95000			
90131-LCA1-E00	2	F04	94000			95014-LBB7-C10	0	F10	
90131-LCA1-E00	2	F05				95701-06012-07	0	F11	
90301-4C73-0040	0	F11	94001-04070	0	F08	95701-06055-07	0	F11	
90301-6C93-001	0	F01	94001-LBB7-E00	1	F11	95701-08025-00	0	F04	
90301-6C93-001	0	F02	94021-08000-0S	0	F04	95701-08025-07	0	F05	
90301-6D34-671	0	F02	94021-08000-0S	0	F05	95701-08070-07	0	F11	
90301-6D34-671	0	F09	94050-06070	0	F11	95801-08030-06	0	F03	
90302-GFY6-901	1	F07	94050-06080	0	F01	95801-08030-06	0	F11	
90302-LLB1-E00	2	F01	94050-06080	0	F09	95801-08060-06	0	F03	
90302-LLB1-E00	2	F09	94050-06080	0	F11				
90302-SDA4-004	1	F02	94050-08070	0	F11				
90304-GHE8-004	4	F11	94050-08080	0	F08	96000			
90309-GLW0-90A	0	F03	94101-04700	0	F08				
90309-GLW0-90A	0	F11	94101-06800	0	F11	96211-05000	0	F03	

PART NO. INDEX

PART NO.	VERSION	PAGE	PART NO.	VERSION	PAGE	PART NO.	VERSION	PAGE
96700-04012-07	0	F08						
96700-LDE5-900	0	F01						