

PARTS CATALOGUE



ATV

LC90BE(FL)

MAXXER 450i [ON ROAD (FI)]



Release Date : 1900/01/01
Print Date : 2010/07/23

ABOUT THIS PARTS LIST

- This parts list is compiled all service parts for model LC90BE(FL).
- Any difference between color chart and motorcycle will be revised according to motorcycle.
- The Mark:
 1. Marking "***" must add color code in the end before ordering parts.
 2. Marking "#" are parts with modification, Please find the details from e-Parts system.
- When modification or additions to this parts list are made a revised edition at an appropriate time.

CONTENTS

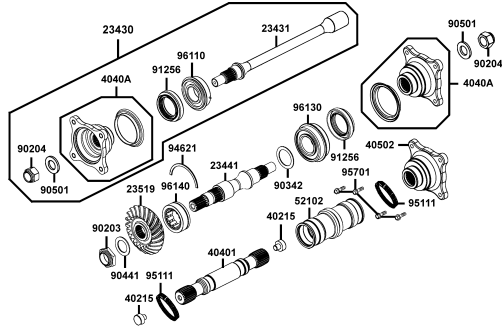
● ABOUT THIS PARTS LIST	1
● COLOR CHART OF LC90BE(FL)	3
● CONTENTS-ENGINE GROUP	6
● CONTENTS-FRAME GROUP	8
● ENGINE PARTS LIST	11
● FRAME PARTS LIST	65
● PART NO. INDEX	145

NO	MODEL			COLOR CHART OF LC90BE(FL)			
	PHOTO NO			NO. 1	NO. 2	NO. 3	NO. 4
	BASIC COLOR			Blue	Sunbeam Red	White	Orange
	CODE			Blue	Sunbeam Red	White	Orange
	PARTS NAME	PARTS NO.	VERSION	PB090SA	RR342SA	NH195SA	YR375SA
1	COVER TANK	17700-LGN5-E00	0	C7R	EER	HGR	YUR
2	COVER HANDLE	53205-LGN5-E00	0				
3	FENDER FRONT	60100-LGN5-E00	2				
4	FENDER REAR	80100-LGN5-E00	0				
5	COVER A R SIDE	83500-LGN5-E00	1				
6	COVER A L SIDE	83600-LGN5-E00	1				
7	TAIL CAP MUFFLER	18306-LGC7-E00	1	HZF			
8	EXHAUST ASSY	1830A-LGC7-E00	2				
9	COVER R GRILLE	64303-LGN5-E00	2				
10	COVER L GRILLE	64313-LGN5-E00	2				
11	LEVER COMP BRAKE	46500-LGN5-E00	1	MAS			
12	A-ARM, FRONT-UPPER-	53400-LGN5-E00	1	MBS			
13	A-ARM ASSY FRONT	53450-LGN5-E00	2				
14	A-ARM FRONT-UPPER-	53500-LGN5-E00	1				
15	A-ARM ASSY FRONT	53550-LGN5-E00	2				
16	CONTROL ARM RH/LH	54400-PWB1-E00	2				
17	A-ARM RH/LH LWR	54450-LGN5-E00	0				
18	CONTROL ARM RH/LH	54500-PWB1-E00	2				
19	A-ARM RH/LH LWR	54550-LGN5-E00	1				
20	COVER WIRE STAY	16059-LDB5-E00	3	N1R			
21	SHIELD HEAT	17560-LGC7-E00	1				
22	DUCT COOLING AIR	19102-LGC7-E00	0				
23	TRAY ELECTRICAL	31605-LGC7-E00	0				
24	CASE,BATTERY	50325-LGC7-E00	1				
25	COVER BATTERY	50326-LGC7-E00	1				
DATE OF STARTING-SALES							
DATE OF END-SALES							

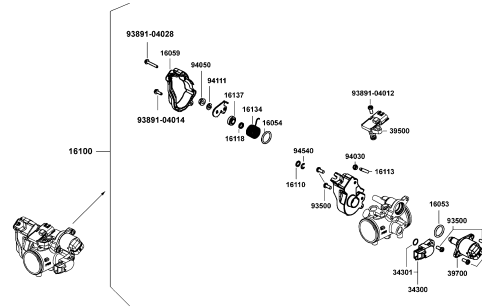
NO	MODEL			COLOR CHART OF LC90BE(FL)							
	PHOTO NO			NO. 1	NO. 2	NO. 3	NO. 4				
	BASIC COLOR			Blue	Sunbeam Red	White	Orange				
	CODE			Blue	Sunbeam Red	White	Orange				
	PARTS NAME	PARTS NO.	VERSION	PB090SA	RR342SA	NH195SA	YR375SA				
26	PANEL,SPLASH RIGHT	60130-LGC7-E00	1	N1R							
27	PANEL B SPLASH RIGHT	60135-LGC7-E00	1								
28	PANEL SPLASH LEFT	60140-LGC7-E00	0								
29	COVER WATERPROOF	60150-LFA5-E01	1								
30	PROTECTOR HOSE	60160-LGC7-E00	1								
31	GRILL FRONT	64304-LGN5-E01	1								
32	GUARD R BOOT	64330-LFE9-E00	0								
33	GUARD,L BOOT	64340-LFE9-E01	1								
34	SHIELD REAR	80130-PWB1-E00	2								
35	COVER GEARBOX	80300-LGN5-E01	1								
36	GUARD COVER R TAIL	80305-LGN5-900	2								
37	GUARD COVER L TAIL	80306-LGN5-900	2								
38	COVER R TAIL LIGHT	80307-LGC7-E00	1								
39	COVER L TAIL LIGHT	80308-LGC7-E00	1								
40	GUARD R RR BOOT	80330-LGN5-E01	1								
41	GUARD L RR BOOT	80340-LGN5-E01	1								
42	MIRROR ASSY R BACK	88110-LDF3-E00	2					N8P			
43	MIRROR ASSY L BACK	88120-LDF3-E00	2					NJA			
44	CALIPER ASSY REAR	43100-LFA5-E00	2					T01			
45	EMB K-LOGO '28.5mm-	86102-LDB5-900	3								
46	EMB GEAR REVERAL	86302-LFA5-E00	2								
47	LABEL TIRE ON ROAD	87505-LGN5-E01	0								
48	WARNING MAXIMUM	87514-LGN5-E02	0								
49	DRIVE WARNING LIST-	87515-LDB5-E01	2								
50	WARNING DRIVE AGE-	87517-LDB5-E00	2								
DATE OF STARTING-SALES											
DATE OF END-SALES											

CONTENTS - ENGINE GROUP

E10 Shaft Drive Front

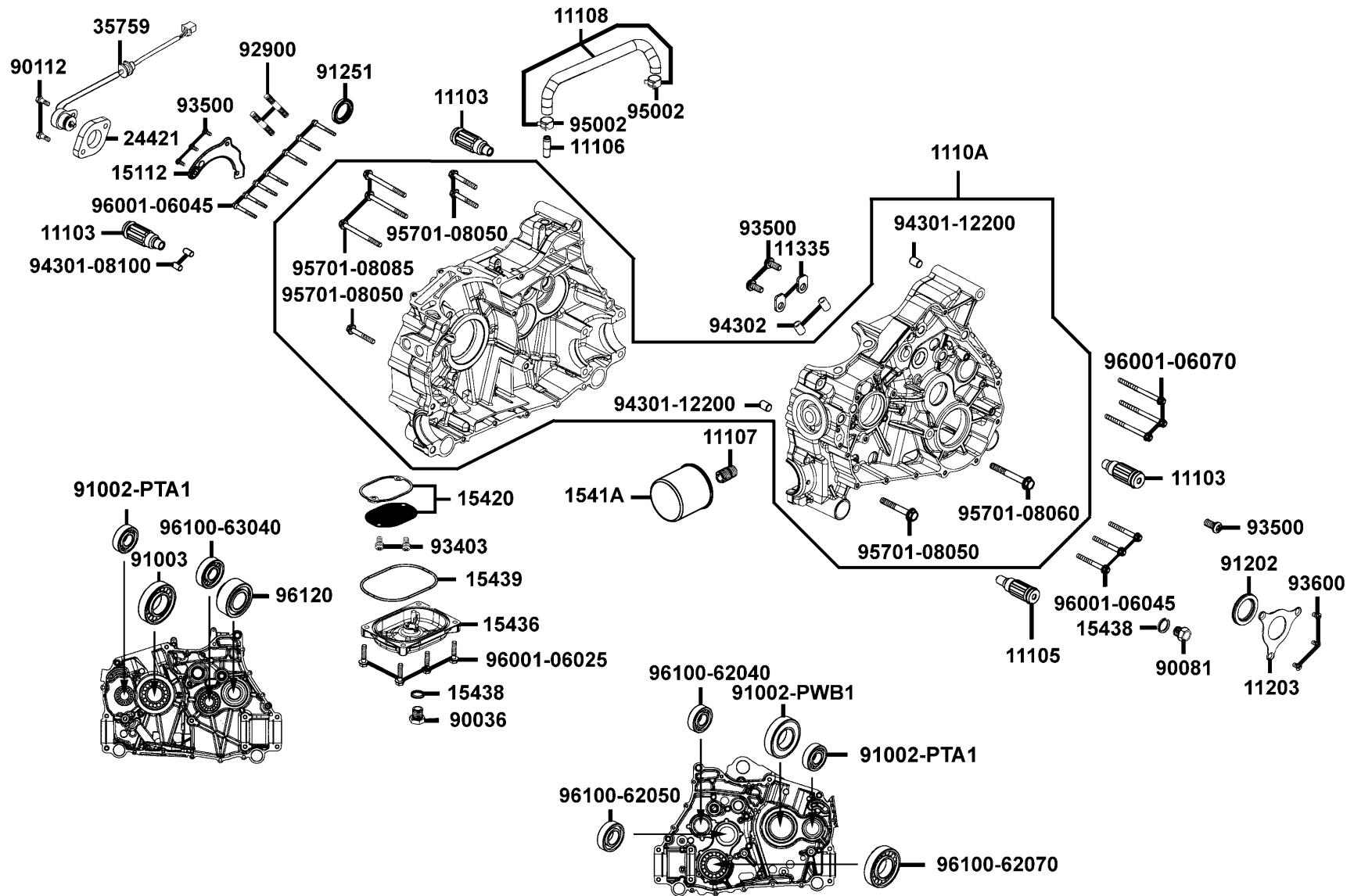


E11 Carburetor



E01

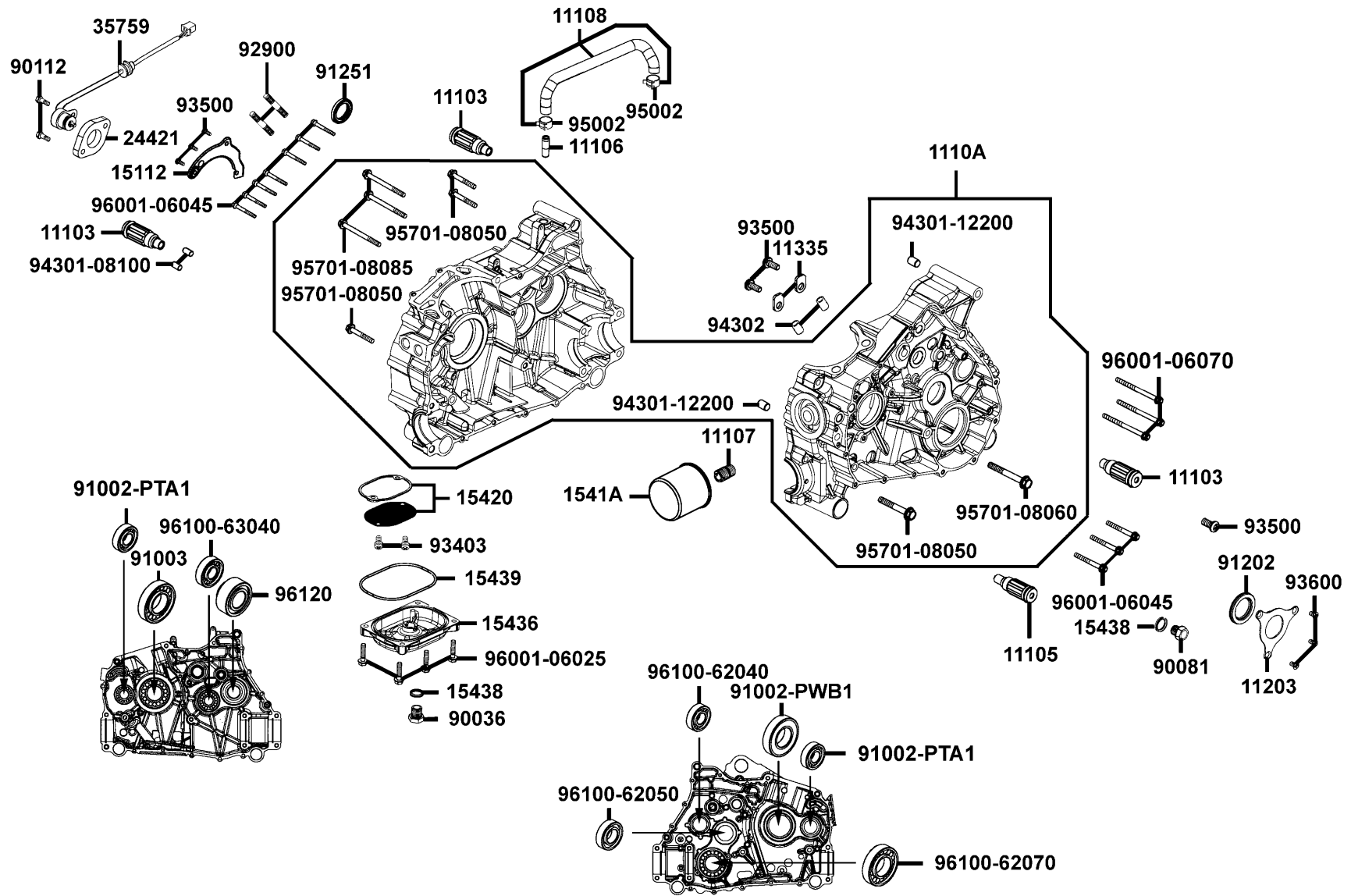
Right Crank Case



Sales mark	Ref no	Part no	Description	Reg description	Regd no	E01
11103		11103-PTA1-800	RUB.BUSH,ENG HANGER	RUB.BUSH,ENG HANGER	3	
11105		11105-PTA1-800	LONG RUB BUSH ENG HANGER	LONG RUB BUSH ENG HANGER	1	
11106		11106-PWB1-900	PIPE BREATHER	PIPE BREATHER	1	
11107		11107-PWB1-900	PIPE OIL	PIPE OIL	1	
11108		11108-PWB1-900	HOSE CRANK CASE VENT	HOSE CRANK CASE VENT	1	
1110A		1110A-PTA1-900	CASE R/L ASSY	CASE R/L ASSY	1	
11203		11203-PWB1-900	RETAINER CRANKSHAFT OIL SEAL	RETAINER CRANKSHAFT OIL SEAL	1	
11335		11335-PWB1-900	RETAINER BEARING	RETAINER BEARING	2	
15112		15112-PWB1-900	PLATE OIL GUIDE RIGHT	PLATE OIL GUIDE RIGHT	1	
1541A		1541A-PWB1-900	ELEMENT COMP OIL FILTER	ELEMENT COMP OIL FILTER	1	
15420		15420-PWB1-900	STRAINER OIL	STRAINER OIL	1	
15436		15436-PWB1-900	CAP OIL STRAINER	CAP OIL STRAINER	1	
15438		15438-PWB1-900	GASKET METAL COMPRESSION	GASKET METAL COMPRESSION	2	
15439		15439-PWB1-900	GASKET MOLDED-OIL STRAINER CAP	GASKET MOLDED-OIL STRAINER CAP	1	
24421		24421-PWB1-900	SPACER SHIFT SENSOR	SPACER SHIFT SENSOR	1	
35759		35759-PWB1-900	SW ASSY GEAR CHANGE	SW ASSY GEAR CHANGE	1	
90036		90036-PWB1-900	BOLT ASSY DRAIN PLUG	BOLT ASSY DRAIN PLUG	1	
90081		90081-PWB1-900	PLUG CASE 12X14	PLUG CASE 12X14	1	
90112		90112-KRDR-900	BOLT FLANGE 5*22	BOLT FLANGE 5*22	2	
91002-PTA1		91002-PTA1-900	BRG BALL RADIAL ESB204JR2C3	BRG BALL RADIAL ESB204JR2C3	2	

E01

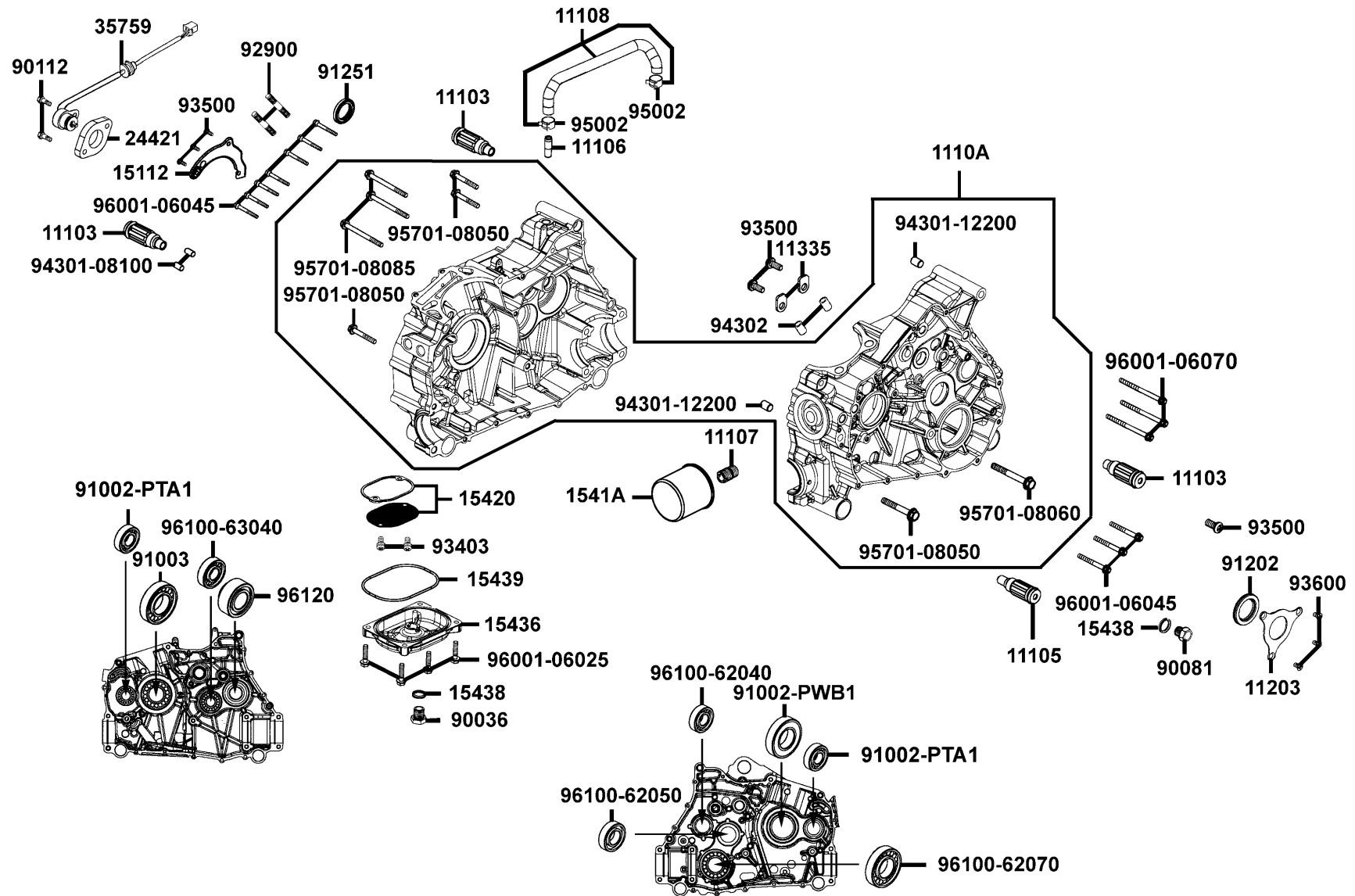
Right Crank Case



Sales mark	Ref no	Part no	Description	Reg description	Regd no	E01
	91002-PWB1	91002-PWB1-90A	BRG BALL RADIL 6207LUAC3	BRG BALL RADIL 6207LUAC3	1	
	91003	91003-PWB1-900	BRG RADIAL BALL 6207-9C3	BRG RADIAL BALL 6207-9C3	1	
	91202	91202-PWB1-900	OIL SEAL 34X52X6	OIL SEAL 34X52X6	1	
	91251	91251-PWB1-900	OIL SEAL 30X44X7	OIL SEAL 30X44X7	1	
	92900	92900-06040-0E	BOLT STUD 6*40	BOLT STUD 6*40	2	
	93403	93403-05012-08	BOLT-WASH 5X12	BOLT-WASH 5X12	2	
	93500	93500-PWB1-900	SCREW PAN 6X14 (C)	SCREW PAN 6X14 (C)	5	
	93600	93600-PWB1-900	SCREW FLAT 6X16(C)	SCREW FLAT 6X16(C)	3	
	94301-08100	94301-08100	DOWEL PIN 8*10	DOWEL PIN 8*10	2	
	94301-12200	94301-12200	DOWEL PIN 12*20	DOWEL PIN 12*20	2	
	94302	94302-KKE5-E00	12 DOWEL PIN R/L CASE	12 DOWEL PIN R/L CASE	2	
	95002	95002-KKD6-E05	CLAMP D18 TUBE	CLAMP D18 TUBE	2	
	95701-08050	95701-08050-08	BOLT FLANGE 8*50	BOLT FLANGE 8*50	4	
	95701-08060	95701-08060-08	BOLT FLANGE 8*60	BOLT FLANGE 8*60	1	
	95701-08085	95701-08085-08	BOLT FLANGE 8*85	BOLT FLANGE 8*85	3	
	96001-06025	96001-06025-08	BOLT FLANGE SH 6*25	BOLT FLANGE SH 6*25	4	
	96001-06045	96001-06045-08	BOLT FLANGE SH 6*45	BOLT FLANGE SH 6*45	10	
	96001-06070	96001-06070-08	BOLT FLANGE SH 6*70	BOLT FLANGE SH 6*70	3	
	96100-62040	96100-62040-00	BRG BALL RADIAL 6204	BRG BALL RADIAL 6204	1	
	96100-62050	96100-62050-00	BEARING BALL RADIAL 6205	BEARING BALL RADIAL 6205	1	

E01

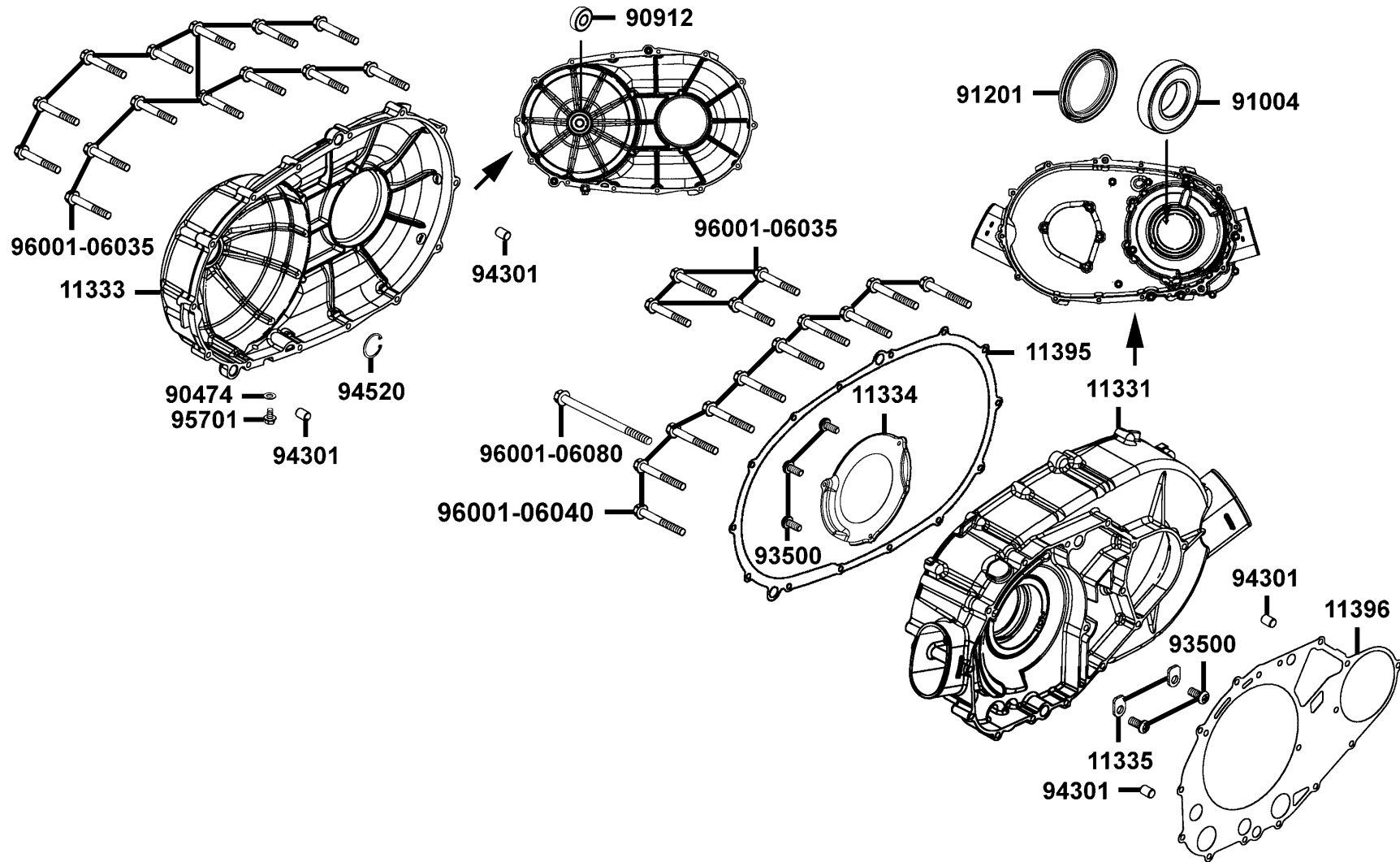
Right Crank Case



Sales mark	Ref no	Part no	Description	Reg description	Regd no	E01
	96100-62070	96100-62070-00	BRG RADIAL BALL 6207	BRG RADIAL BALL 6207	1	
	96100-63040	96100-63040-00	BRG BALL RADIAL 6304	BRG BALL RADIAL 6304	1	
	96120	96120-PWB1-900	BEARING BALL D/R 30X62X23.8	BEARING BALL D/R 30X62X23.8	1	

E02

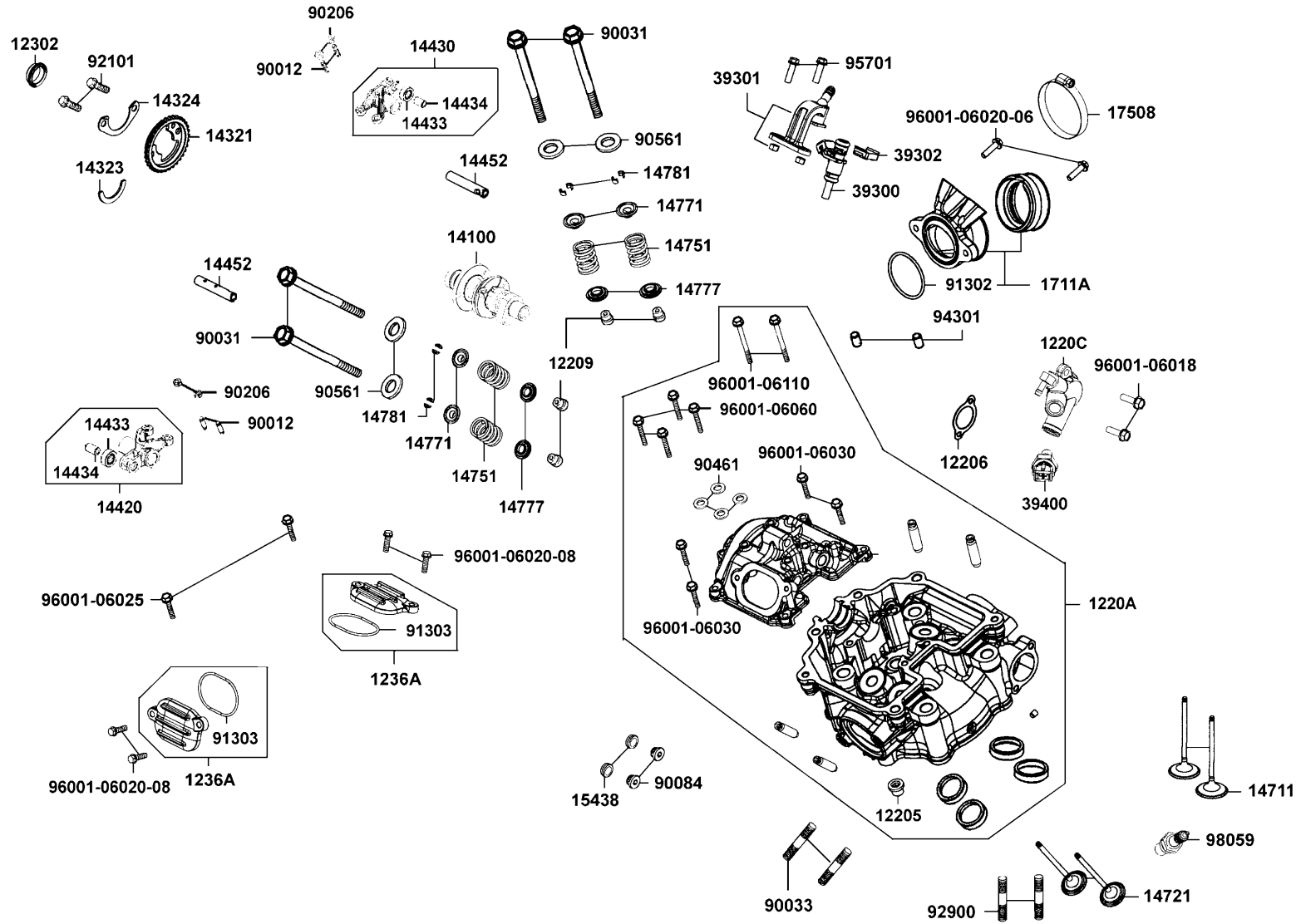
Cover Right Crank Case



Sales mark	Ref no	Part no	Description	Reg description	Regd no	E02
	11331	11331-PWB1-900	COVER R CRANK CASE	COVER R CRANK CASE	1	
	11333	11333-LFA5-900	COVER R COVER	COVER R COVER	1	
	11334	11334-PWB1-900	PLATE AIR INTAKE	PLATE AIR INTAKE	1	
	11335	11335-PWB1-900	RETAINER BEARING	RETAINER BEARING	2	
	11395	11395-PWB1-900	GASKET R COVER	GASKET R COVER	1	
	11396	11396-PWB1-900	GASKET R COVER	GASKET R COVER	1	
	90474	90474-3C33-001	WASHER 8MM	WASHER 8MM	1	
	90912	90912-KFLF-00A	BEARING 6201 LLU	BEARING 6201 LLU	1	
	91004	91004-PWB1-90D	BRG BALL RADIL 6208RUEF-1	BRG BALL RADIL 6208RUEF-1	1	
	91201	91201-PWB1-90C	OIL SEAL 54X70X8	OIL SEAL 54X70X8	1	
	93500	93500-PWB1-900	SCREW PAN 6X14 (C)	SCREW PAN 6X14 (C)	5	
	94301	94301-12200	DOWEL PIN 12*20	DOWEL PIN 12*20	4	
	94520	94520-32180	CIR CLIP IN 32	CIR CLIP IN 32	1	
	95701	95701-08012-08	BOLT FLANGE 8*12	BOLT FLANGE 8*12	1	
	96001-06035	96001-06035-08	BOLT FLANGE 6*35	BOLT FLANGE 6*35	18	
	96001-06040	96001-06040-08	BOLT FLANGE 6*40	BOLT FLANGE 6*40	10	
	96001-06080	96001-06080-08	BOLT FLANGE SH 6*80	BOLT FLANGE SH 6*80	1	

E03

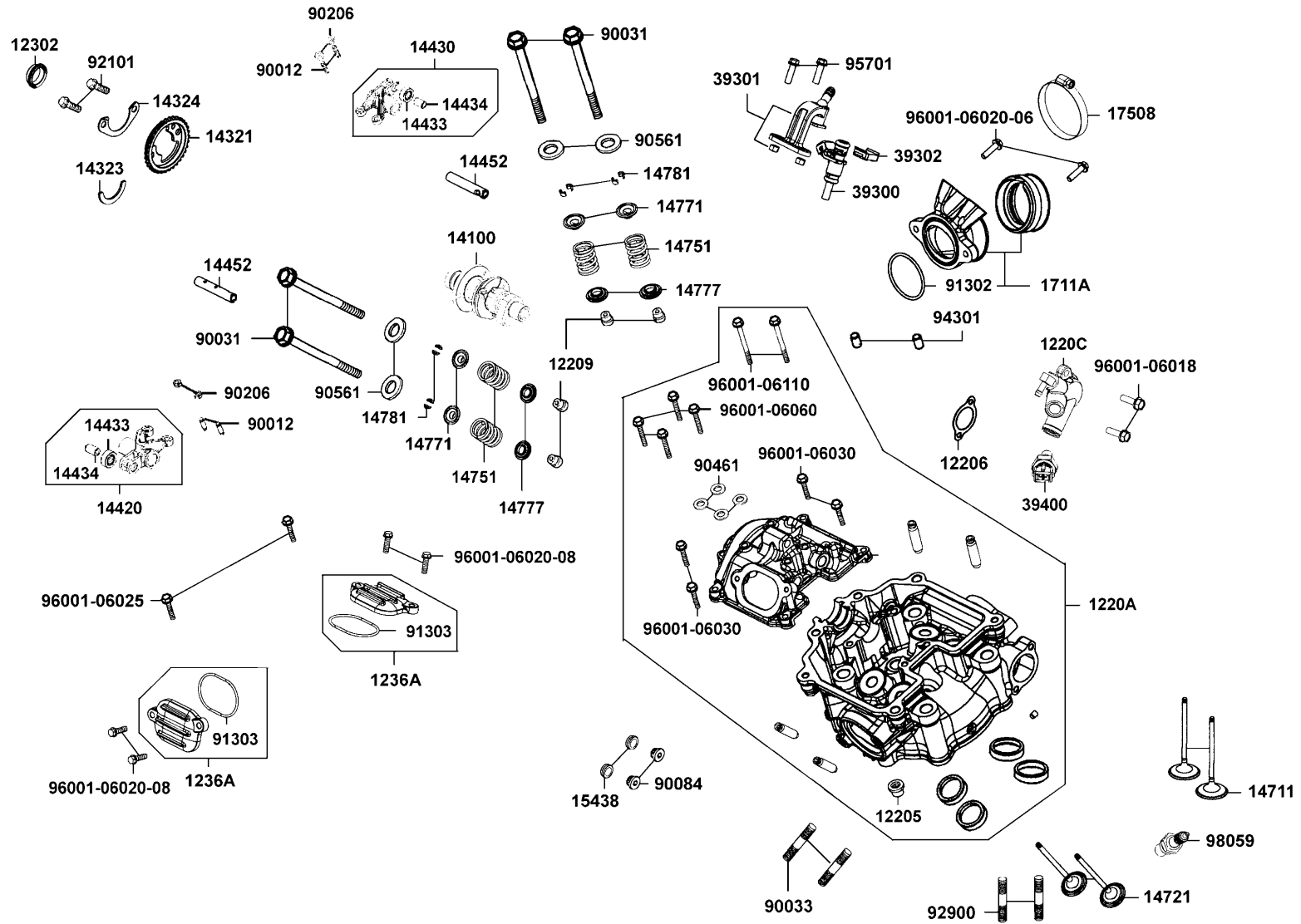
Cylinder Head Cover Cylinder Head



Sales mark	Ref no	Part no	Description	Reg description	Regd no	E03
12205		12205-KHE8-301	BOLT SEALING 12MM	BOLT SEALING 12MM	1	
12206		12206-LBA2-E00	GASKET WATER COVER	GASKET WATER COVER	1	
12209		12209-PWB1-900	SEAL VALVE STEM	SEAL VALVE STEM	4	
1220A		1220A-PTA1-800	HEAD ASSY CYLINDER	HEAD ASSY CYLINDER	1	
1220C		1220C-LGC7-305	COVER COMP WATER	COVER COMP WATER	1	
12302		12302-PWB1-900	PLUG HEAD	PLUG HEAD	1	
1236A		1236A-PWB1-900	CAP ASSY TAPPET ADJUSTING HOLE	CAP ASSY TAPPET ADJUSTING HOLE	2	
14100		14100-PTA1-910	SHAFT COMP CAM	SHAFT COMP CAM	1	
14321		14321-PTA1-900	ARM EXH VALVE ROCKER	ARM EXH VALVE ROCKER	1	
14323		14323-PWB1-900	C-RING CAM RETAINER	C-RING CAM RETAINER	1	
14324		14324-PWB1-900	WASHER LOCK AMSHAFT	WASHER LOCK AMSHAFT	1	
14420		14420-PTA1-900	ARM VALVE ROCKER	ARM VALVE ROCKER	1	
14430		14430-PTA1-900	ARM COMP IN VALVE ROCKER	ARM COMP IN VALVE ROCKER	1	
14433		14433-PTA1-900	ROCKER ASSY ROCKER ARM	ROCKER ASSY ROCKER ARM	2	
14434		14434-PTA1-900	PIN ROCKER ARM	PIN ROCKER ARM	2	
14452		14452-PTA1-900	ROCKER ARM SHAFT INTAKE	ROCKER ARM SHAFT INTAKE	2	
14711		14711-PTA1-900	VALVE INTAKE	VALVE INTAKE	2	
14721		14721-PTA1-900	VALVE EXHAUST	VALVE EXHAUST	2	
14751		14751-PTA1-900	SPRING VALVE	SPRING VALVE	4	
14771		14771-PWB1-900	RETAINER UPPER SPRING	RETAINER UPPER SPRING	4	

E03

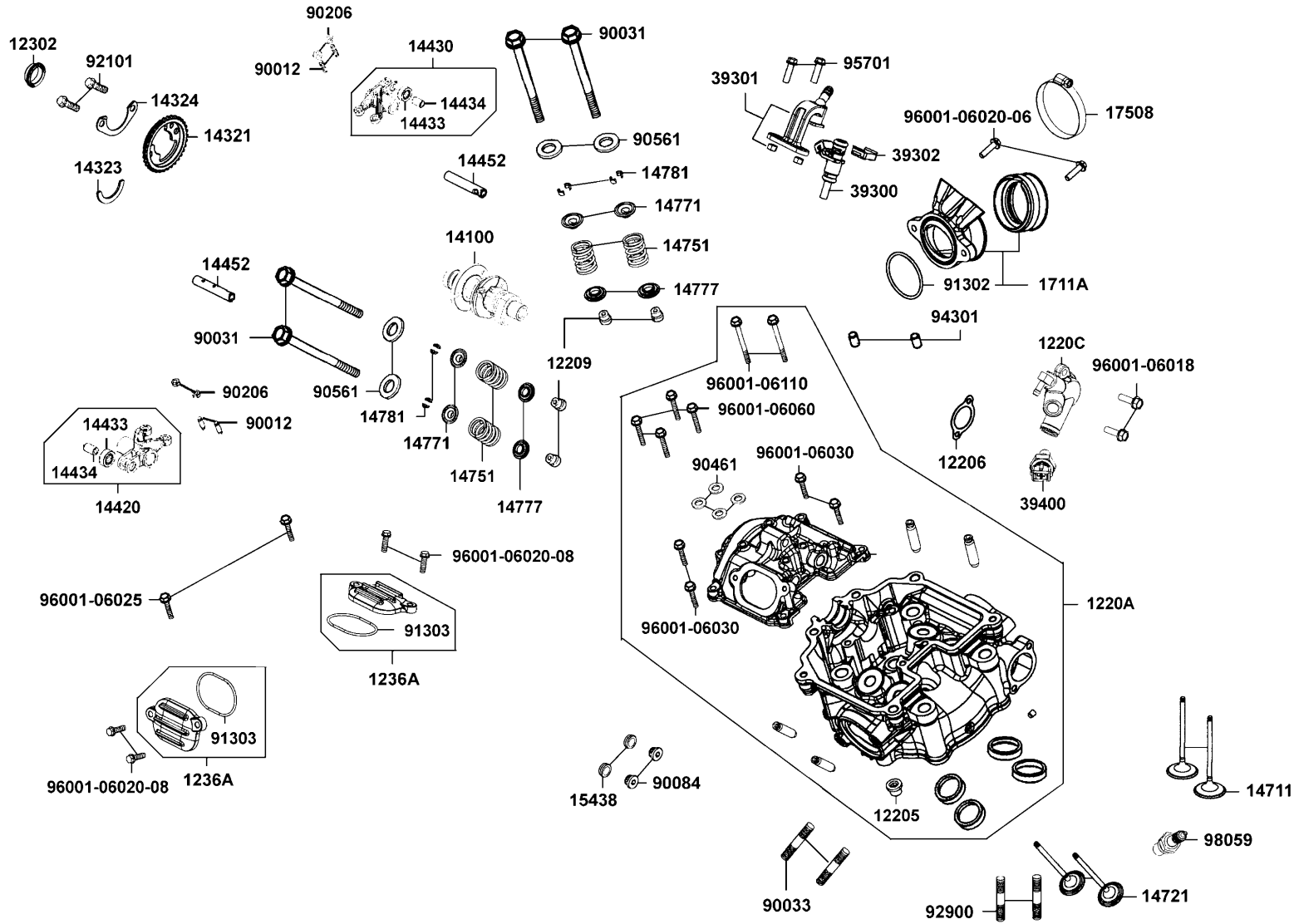
Cylinder Head Cover Cylinder Head



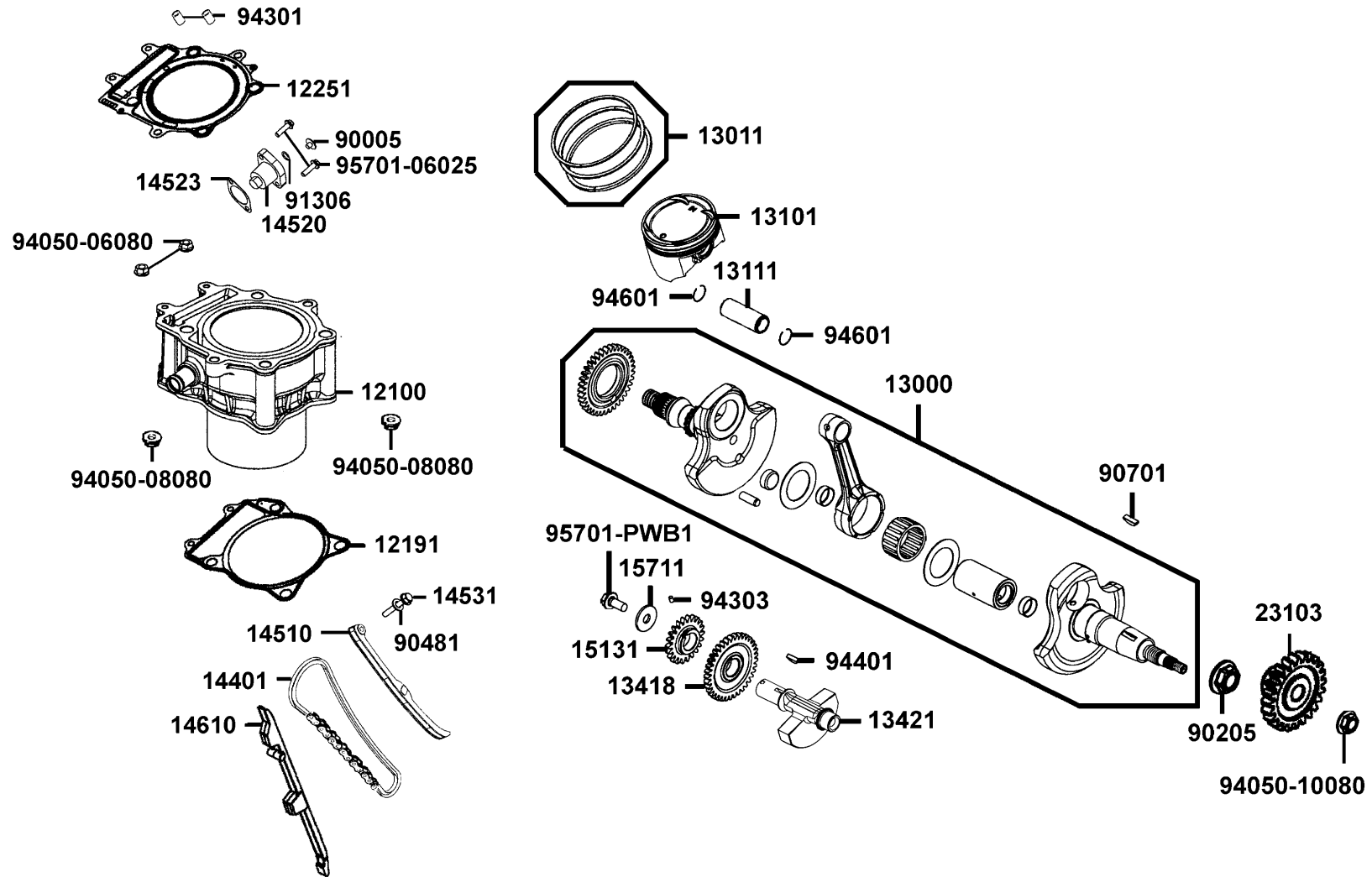
Sales mark	Ref no	Part no	Description	Reg description	Regd no	E03
14777		14777-PWB1-900	SEAT VALVE SPRING	SEAT VALVE SPRING	4	
14781		14781-MFA6-001	COTTER VALVE	COTTER VALVE	8	
15438		15438-PWB1-900	GASKET METAL COMPRESSION	GASKET METAL COMPRESSION	2	
1711A		1711A-LGC3-E01	MANIFOLD ASSY INLET	MANIFOLD ASSY INLET	1	
17508		17508-LGC7-E00	CLAMP,D60	CLAMP,D60	1	
39300		39300-PTA1-800	INJECTOR FUEL	INJECTOR FUEL	1	
39301		39301-LGC7-E00	ASSY FUEL RAIL	ASSY FUEL RAIL	1	
39302		39302-KKE3-900	CLIP SPRING FUEL INJECTOR	CLIP SPRING FUEL INJECTOR	1	
39400		39400-LEA6-800	WATER TEMP SENSOR	WATER TEMP SENSOR	1	
90012		90012-3C33-001	SCREW TAPPET ADJUSTING	SCREW TAPPET ADJUSTING	4	
90031		90031-PWB1-900	BOLT UBS 10x170	BOLT UBS 10x170	4	
90033		90033-KGB4-C00	BOLT STUD 8*40	BOLT STUD 8*40	2	
90084		90084-KKE5-E00	CAP OIL CHANNEL	CAP OIL CHANNEL	2	
90206		90206-0A01-001	NUT TAPPET ADJG	NUT TAPPET ADJG	4	
90461		90461-PWB1-900	WASHER SEALING	WASHER SEALING	4	
90561		90561-PWB1-900	WASHER 21X10X2.2	WASHER 21X10X2.2	4	
91302		91302-PTA1-800	O-RING INTAKE MANIFOLD 44.12X2.62	O-RING INTAKE MANIFOLD 44.12X2.62	1	
91303		91303-PWB1-900	ORING INSPECTION CAP	ORING INSPECTION CAP	2	
92101		92101-06012-0HN	BOLT HEX 6X12	BOLT HEX 6X12	2	
92900		92900-PTA1-900	BOLT STUD 8*40	BOLT STUD 8*40	2	

E03

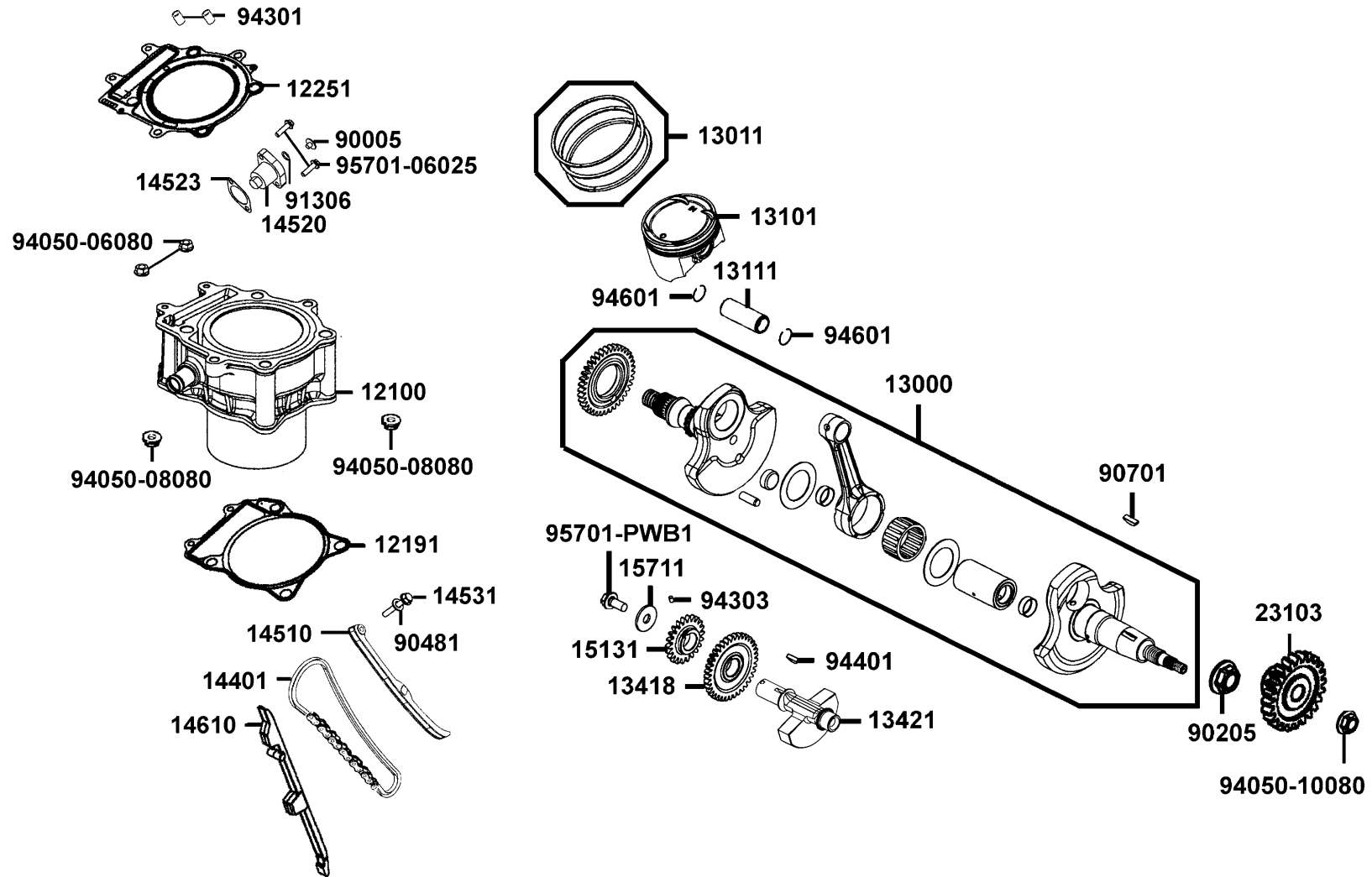
Cylinder Head Cover Cylinder Head



Sales mark	Ref no	Part no	Description	Reg description	Regd no	E03
	94301	94301-08140	DOWEL PIN 8*14	DOWEL PIN 8*14	2	
	95701	95701-06016-08	BOLT FLANGE 6*16	BOLT FLANGE 6*16	2	
	96001-06018	96001-06018-08	BOLT FLANGE SH 6*18	BOLT FLANGE SH 6*18	2	
	96001-06020-06	96001-06020-06	BOLT FLANGE 6*20	BOLT FLANGE 6*20	2	
	96001-06020-08	96001-06020-08	BOLT FLANGE SH 6*20	BOLT FLANGE SH 6*20	6	
	96001-06025	96001-06025-08	BOLT FLANGE SH 6*25	BOLT FLANGE SH 6*25	2	
	96001-06030	96001-06030-06	BOLT FLANGE SH 6*30 (G)	BOLT FLANGE SH 6*30 (G)	4	
	96001-06060	96001-06060-06	BOLT FLANE 6*60	BOLT FLANE 6*60	4	
	96001-06110	96001-06110-06	BOLT FLANGE SH 6*110	BOLT FLANGE SH 6*110	2	
	98059	98059-57916-00	SPARK PLUG CR7E	SPARK PLUG CR7E	1	

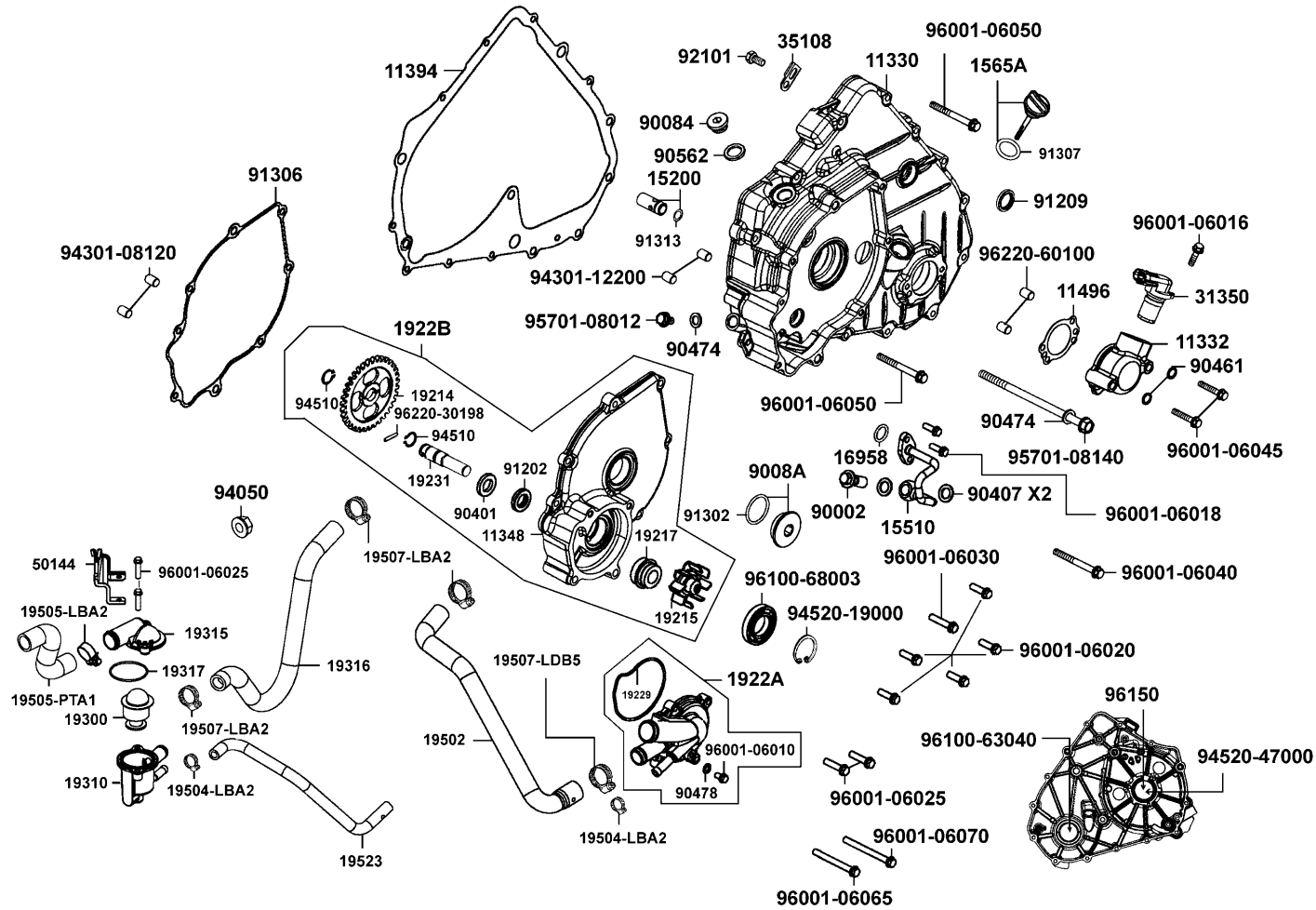


Sales mark	Ref no	Part no	Description	Reg description	Regd no	E04
	12100	12100-PTA1-900	CYLINDER COMP	CYLINDER COMP	1	
	12191	12191-PTA1-900	GASKET CYLINDER	GASKET CYLINDER	1	
	12251	12251-PTA1-900	GASKET CYLINDER HEAD	GASKET CYLINDER HEAD	1	
	13000	13000-PWB1-900	CRANK SHAFT COMP	CRANK SHAFT COMP	1	
	13011	13011-PTA1-90B	RING SET PISTON	RING SET PISTON	1	
	13101	13101-LGC7-E00	PISTON	PISTON	1	
	13111	13111-PWB1-900	PIN PISTON	PIN PISTON	1	
	13418	13418-PWB1-900	GEAR A BALANCER SHAFT	GEAR A BALANCER SHAFT	1	
	13421	13421-PTA1-900	SHAFT BALANCER	SHAFT BALANCER	1	
	14401	14401-PWB1-900	CHAIN CAM	CHAIN CAM	1	
	14510	14510-PWB1-900	TENSIONER CAM CHAIN	TENSIONER CAM CHAIN	1	
	14520	14520-GFY6-90A	LIFTER ASSY TENSIONER	LIFTER ASSY TENSIONER	1	
	14523	14523-KED9-900	GASKET TENSIONER LIFTER @A	GASKET TENSIONER LIFTER @A	1	
	14531	14531-PWB1-900	PIVOT TENSION GUIDE	PIVOT TENSION GUIDE	1	
	14610	14610-PTA1-900	GUIDE COMP CAM CHAIN	GUIDE COMP CAM CHAIN	1	
	15131	15131-PWB1-900	SPROCKET OIL PUMP DRIVE	SPROCKET OIL PUMP DRIVE	1	
	15711	15711-PWB1-900	WASHER 10.2X30X2.5	WASHER 10.2X30X2.5	1	
	23103	23103-PTA1-900	GEAR PRIMARY DRIVE	GEAR PRIMARY DRIVE	1	
	90005	90005-KEC8-900	BOLT SPECIAL 6*6	BOLT SPECIAL 6*6	1	
	90205	90205-LDB5-E00	NUT FLANGE 16 MM	NUT FLANGE 16 MM	1	



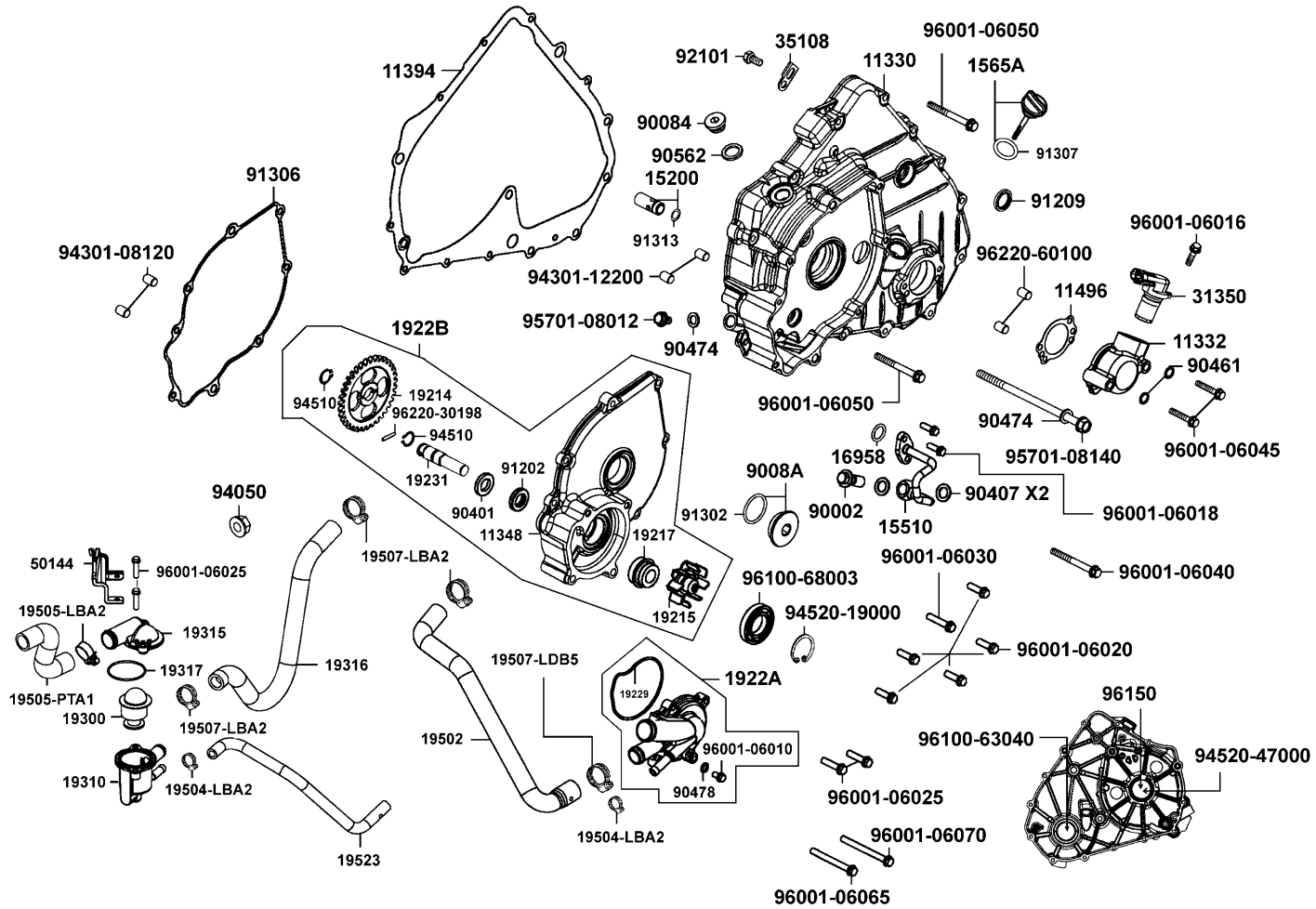
Sales mark	Ref no	Part no	Description	Reg description	Regd no	E04
	90481	90481-0E35-001	WASHER 8MM	WASHER 8MM	1	
	90701	90701-LDB5-E00	KEY WOODRUFF 25*17*5	KEY WOODRUFF 25*17*5	1	
	91306	91306-1E05-691	O-RING 1.5*9.5	O-RING 1.5*9.5	1	
	94050-06080	94050-06080	NUT FLANGE 6MM	NUT FLANGE 6MM	2	
	94050-08080	94050-08080	NUT FLANGE 8MM	NUT FLANGE 8MM	2	
	94050-10080	94050-10080	NUT FLANGE 10MM	NUT FLANGE 10MM	1	
	94301	94301-12200	DOWEL PIN 12*20	DOWEL PIN 12*20	2	
	94303	94303-04065	PIN DOWEL 4*6.5	PIN DOWEL 4*6.5	1	
	94401	94401-16150	KEY WOODRUFF 16*15	KEY WOODRUFF 16*15	1	
	94601	94601-PWB1-900	CIRCLIP PISTON PIN 20MM	CIRCLIP PISTON PIN 20MM	2	
	95701-06025	95701-06025-08	BOLT FLANGE 6*25	BOLT FLANGE 6*25	2	
	95701-PWB1	95701-PWB1-900	BOLT FLANGE 10x20	BOLT FLANGE 10x20	1	

Cover Left Crank Case



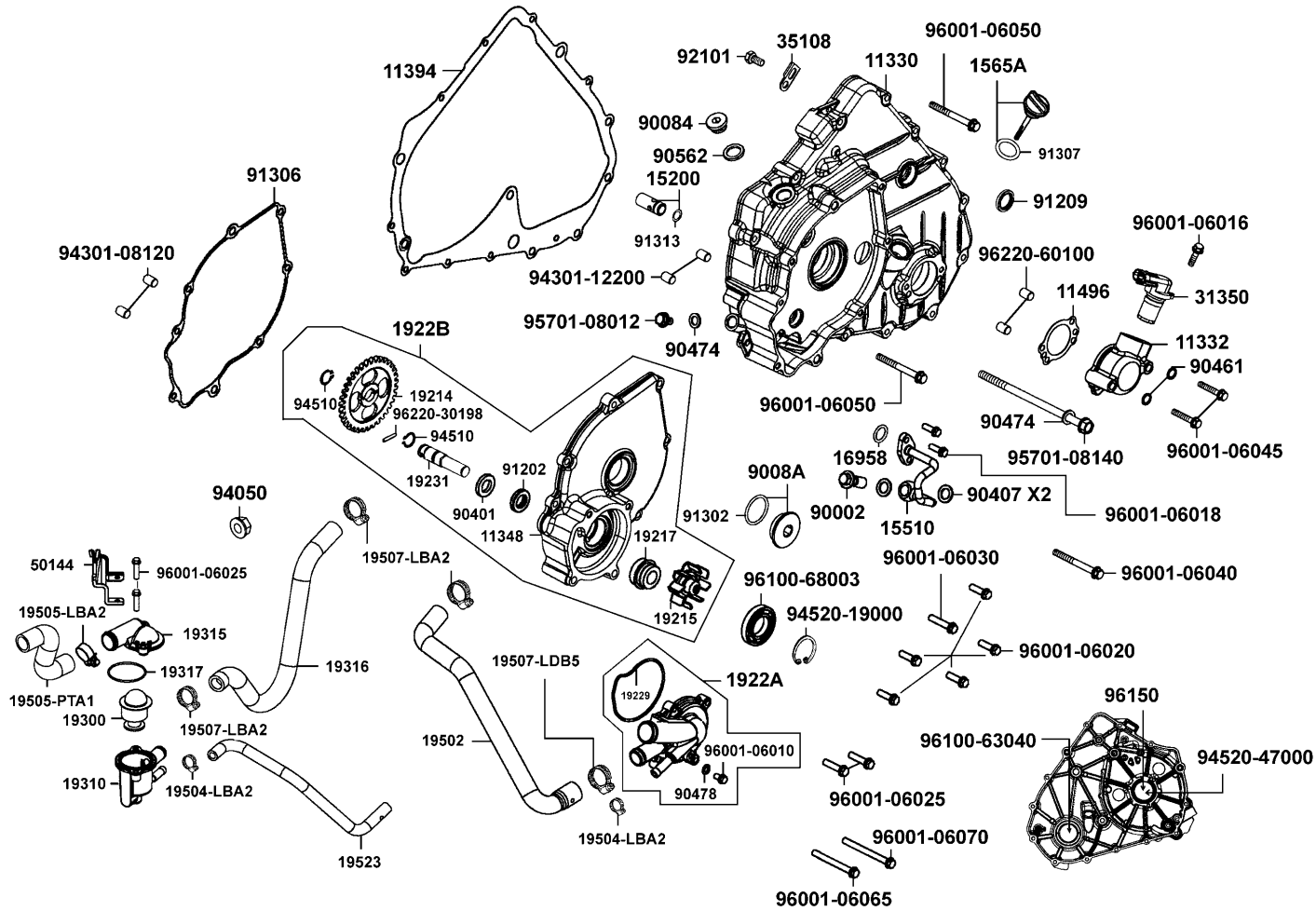
Sales mark	Ref no	Part no	Description	Reg description	Regd no	E05
11330		11330-PTA1-900	COVER LEFT CRANK CASE	COVER LEFT CRANK CASE	1	
11332		11332-PWB1-900	HOUSING SPEED SENSOR	HOUSING SPEED SENSOR	1	
11348		11348-PTA1-900	COVER L COVER	COVER L COVER	1	
11394		11394-PWB1-900	GASKET L COVER	GASKET L COVER	1	
11496		11496-PWB1-900	GASKET SENSOR HOUSING	GASKET SENSOR HOUSING	1	
15200		15200-PWB1-900	OIL RELIEF VALVE ASSY	OIL RELIEF VALVE ASSY	1	
15510		15510-PTA1-900	PIPE COMP,OIL	PIPE COMP,OIL	1	
1565A		1565A-PWB1-900	GAUGE ASST OIL LEVEL	GAUGE ASST OIL LEVEL	1	
16958		16958-KHB4-900	O-RING 10.77x2.62	O-RING 10.77x2.62	1	
19214		19214-PTA1-900	GEAR WATER PUMP DRIVEN	GEAR WATER PUMP DRIVEN	1	
19215		19215-LBA2-E00	IMPELLER WATER PUMP	IMPELLER WATER PUMP	1	
19217		19217-KFA5-900	SEAL MECHANICAL	SEAL MECHANICAL	1	
19229		19229-LDB5-E00	RING WATER PUMP	RING WATER PUMP	1	
1922A		1922A-PTA1-900	COVER ASSY WATER PUMP	COVER ASSY WATER PUMP	1	
1922B		1922B-PTA1-900	WATER PUMP ASSY L COVER	WATER PUMP ASSY L COVER	1	
19231		19231-PTA1-900	SHAFT WATER PUMP	SHAFT WATER PUMP	1	
19300		19300-LBA2-E00	THERMOSTAT ASSY	THERMOSTAT ASSY	1	
19310		19310-LDB5-E00	CASE COMP THERMOSTAT	CASE COMP THERMOSTAT	1	
19315		19315-LBA2-E00	COVER THERMOSTAT	COVER THERMOSTAT	1	
19316		19316-PTA1-900	HOSE THERMOATAT A	HOSE THERMOATAT A	1	

Cover Left Crank Case



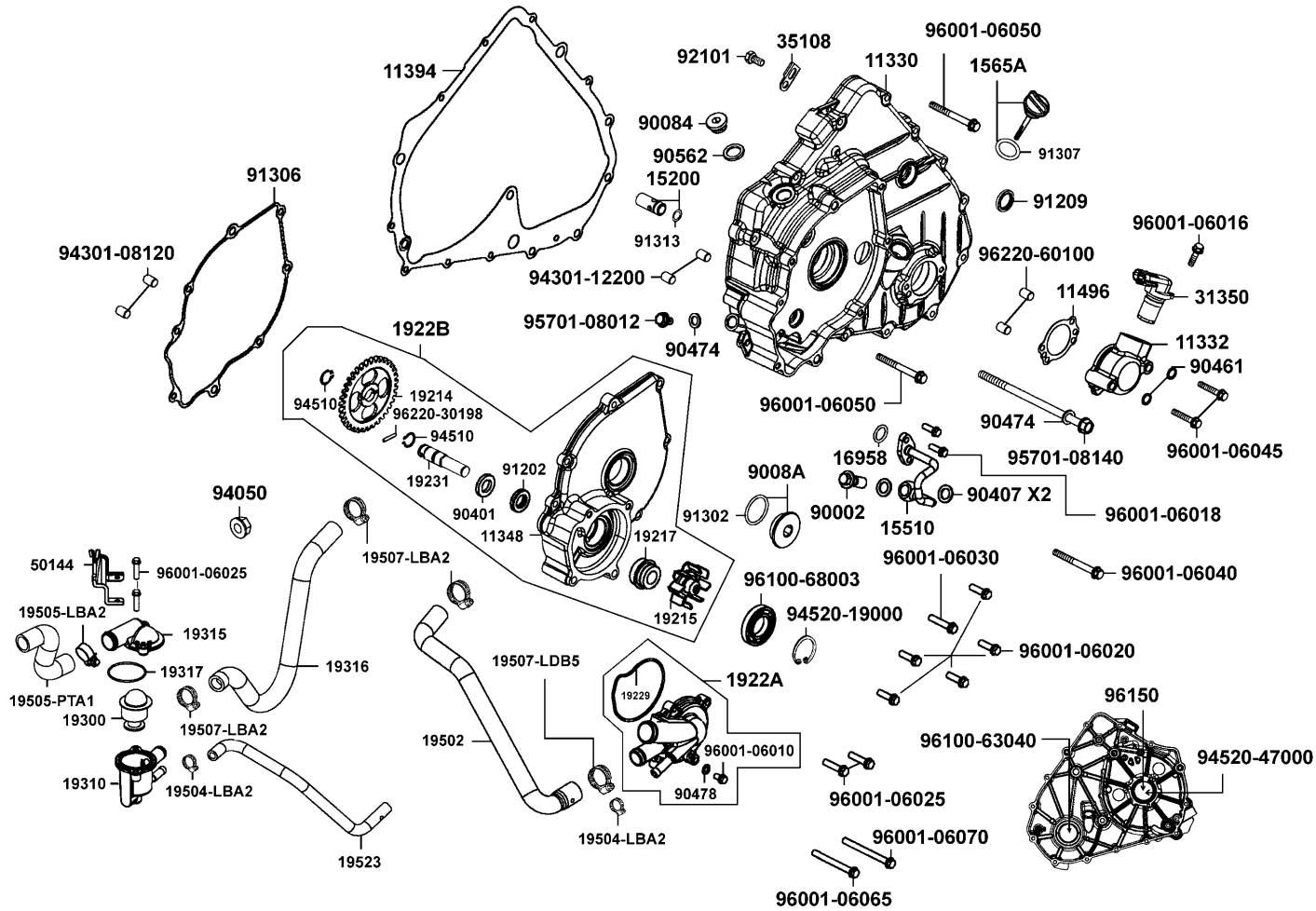
Sales mark	Ref no	Part no	Description	Reg description	Regd no	E05
19317		19317-LBA2-E00	RING 48.3*2	RING 48.3*2	1	
19502		19502-PTA1-900	HOSE WATER B	HOSE WATER B	1	
19504-LBA2		19504-LBA2-E00	CLAMP D 16.8	CLAMP D 16.8	2	
19505-LBA2		19505-LBA2-E00	CLAMP WATER HOSE	CLAMP WATER HOSE	1	
19505-PTA1		19505-PTA1-900	HOSE WATER	HOSE WATER	1	
19507-LBA2		19507-LBA2-E00	CLAMP D 27.5	CLAMP D 27.5	3	
19507-LDB5		19507-LDB5-E00	CLAMP D 28	CLAMP D 28	1	
19523		19523-PTA1-900	HOSE THERMOATAT B	HOSE THERMOATAT B	1	
31350		31350-LDB5-E0A	SENSOR SPEED	SENSOR SPEED	1	
35108		35108-PWB1-900	STAY B ACG STATOR	STAY B ACG STATOR	1	
50144		50144-PTA1-900	BRKT THERMOSTAT STAY	BRKT THERMOSTAT STAY	1	
90002		90002-KKAK-900	BOLT B OIL PASS	BOLT B OIL PASS	1	
90084		90084-PWB1-900	CAP ACG	CAP ACG	1	
9008A		9008A-PTA1-900	CAP ASSY	CAP ASSY	1	
90401		90401-PTA1-900	WASHER,THRUST 14MM	WASHER,THRUST 14MM	1	
90407		90407-KAM1-001	SEALING WASHER B OIL PIPE JOIN	SEALING WASHER B OIL PIPE JOIN	2	
90461		90461-PWB1-900	WASHER SEALING	WASHER SEALING	2	
90474		90474-3C33-001	WASHER 8MM	WASHER 8MM	2	
90478		90478-7L00-001	WASHER 6MM	WASHER 6MM	1	
90562		90562-PWB1-900	WASHER 16X22X2	WASHER 16X22X2	1	

Cover Left Crank Case



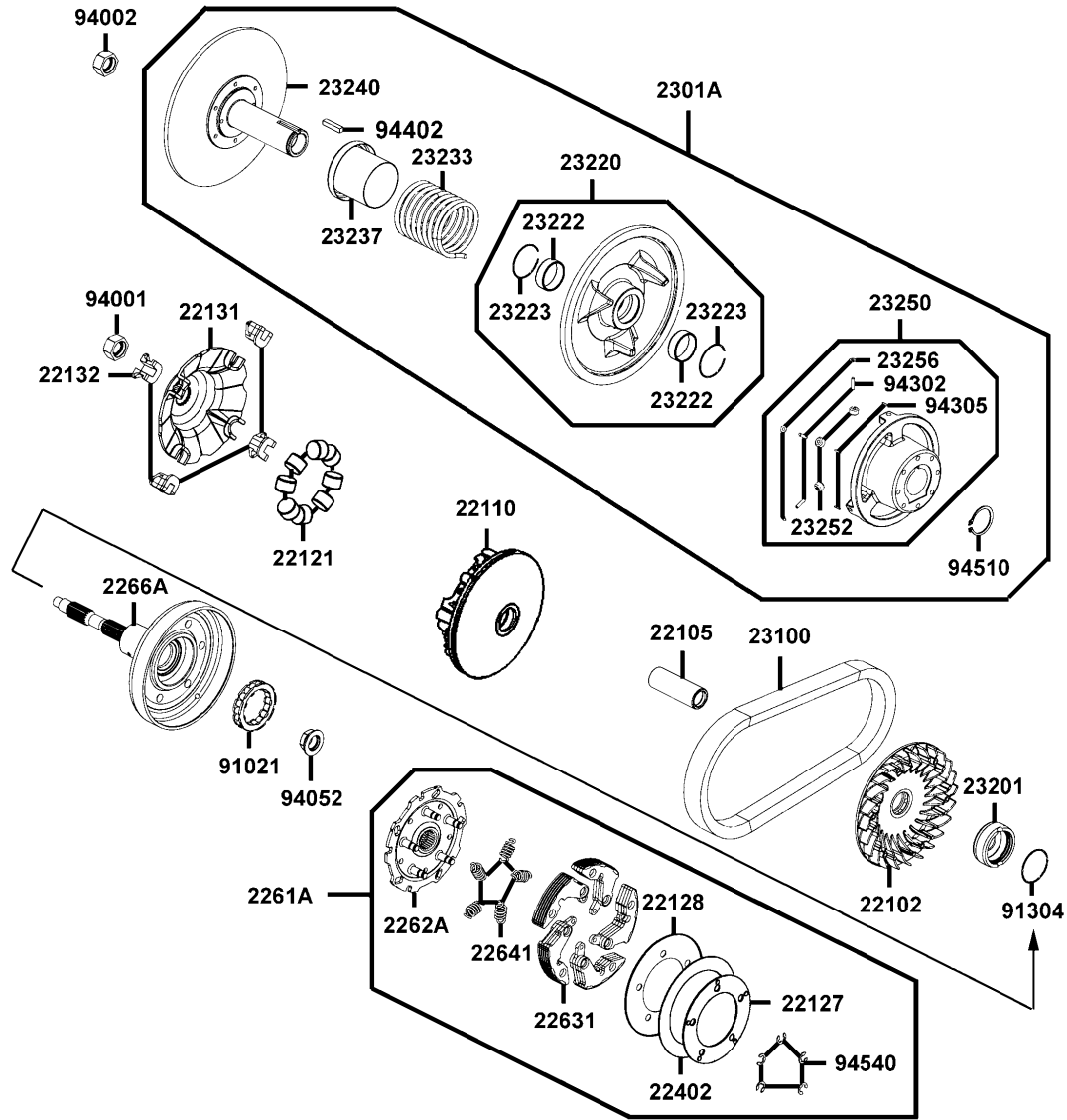
Sales mark	Ref no	Part no	Description	Reg description	Regd no	E05
91202		91202-KGB4-C00	OIL SEAL 13.7*24*5	OIL SEAL 13.7*24*5	1	
91209		91209-PWB1-900	OIL SEAL 12X22X9	OIL SEAL 12X22X9	1	
91302		91302-5G67-004	O-RING 27.4*2.4	O-RING 27.4*2.4	1	
91306		91306-PTA1-900	GASKET,STARTING COVER	GASKET,STARTING COVER	1	
91307		91307-0E35-001	O RING 18*3	O RING 18*3	1	
91313		91313-KED9-900	O-RING 15.5*1.5	O-RING 15.5*1.5	1	
92101		92101-05012-0H	BOLT HEX 5*12	BOLT HEX 5*12	1	
94050		94050-06060	NUT FLANGE 6MM	NUT FLANGE 6MM	1	
94301-08120		94301-08120	DOWEL PIN 8*12	DOWEL PIN 8*12	2	
94301-12200		94301-12200	DOWEL PIN 12*20	DOWEL PIN 12*20	2	
94510		94510-14000	CIR CLIP EXTERNAL 14	CIR CLIP EXTERNAL 14	1	
94520-19000		94520-19000	CIR CLIP IN 19	CIR CLIP IN 19	1	
94520-47000		94520-47000	CIR CLIP IN 47	CIR CLIP IN 47	1	
95701-08012		95701-08012-08	BOLT FLANGE 8*12	BOLT FLANGE 8*12	1	
95701-08140		95701-08140-08	BOLT FLANGE 8x140	BOLT FLANGE 8x140	1	
96001-06010		96001-06010-00	BOLT FLANGE SH 6X10	BOLT FLANGE SH 6X10	1	
96001-06016		96001-06016-08	BOLT FLANGE SH 6*16	BOLT FLANGE SH 6*16	1	
96001-06018		96001-06018-08	BOLT FLANGE SH 6*18	BOLT FLANGE SH 6*18	2	
96001-06020		96001-06020-08	BOLT FLANGE SH 6*20	BOLT FLANGE SH 6*20	5	
96001-06025		96001-06025-08	BOLT FLANGE SH 6*25	BOLT FLANGE SH 6*25	4	

Cover Left Crank Case



Sales mark	Ref no	Part no	Description	Reg description	Regd no	E05
	96001-06030	96001-06030-08	BOLT FLANGE SH 6*30	BOLT FLANGE SH 6*30	1	
	96001-06040	96001-06040-08	BOLT FLANGE 6*40	BOLT FLANGE 6*40	12	
	96001-06045	96001-06045-08	BOLT FLANGE SH 6*45	BOLT FLANGE SH 6*45	2	
	96001-06050	96001-06050-08	BOLT FLANGE 6*50	BOLT FLANGE 6*50	2	
	96001-06065	96001-06065-08	BOLT FLANGE 6*65	BOLT FLANGE 6*65	1	
	96001-06070	96001-06070-08	BOLT FLANGE SH 6*70	BOLT FLANGE SH 6*70	1	
	96100-63040	96100-63040-00	BRG BALL RADIAL 6304	BRG BALL RADIAL 6304	1	
	96100-68003	96100-68003-00	BEARING BALL RADIAL 6800	BEARING BALL RADIAL 6800	1	
	96150	96150-PWB1-900	BEARING CONRAD S/R(16005)	BEARING CONRAD S/R(16005)	1	
	96220-30198	96220-30198	ROLLER, 3*19.8	ROLLER, 3*19.8	1	
	96220-60100	96220-60100	ROLLER 6*10	ROLLER 6*10	2	

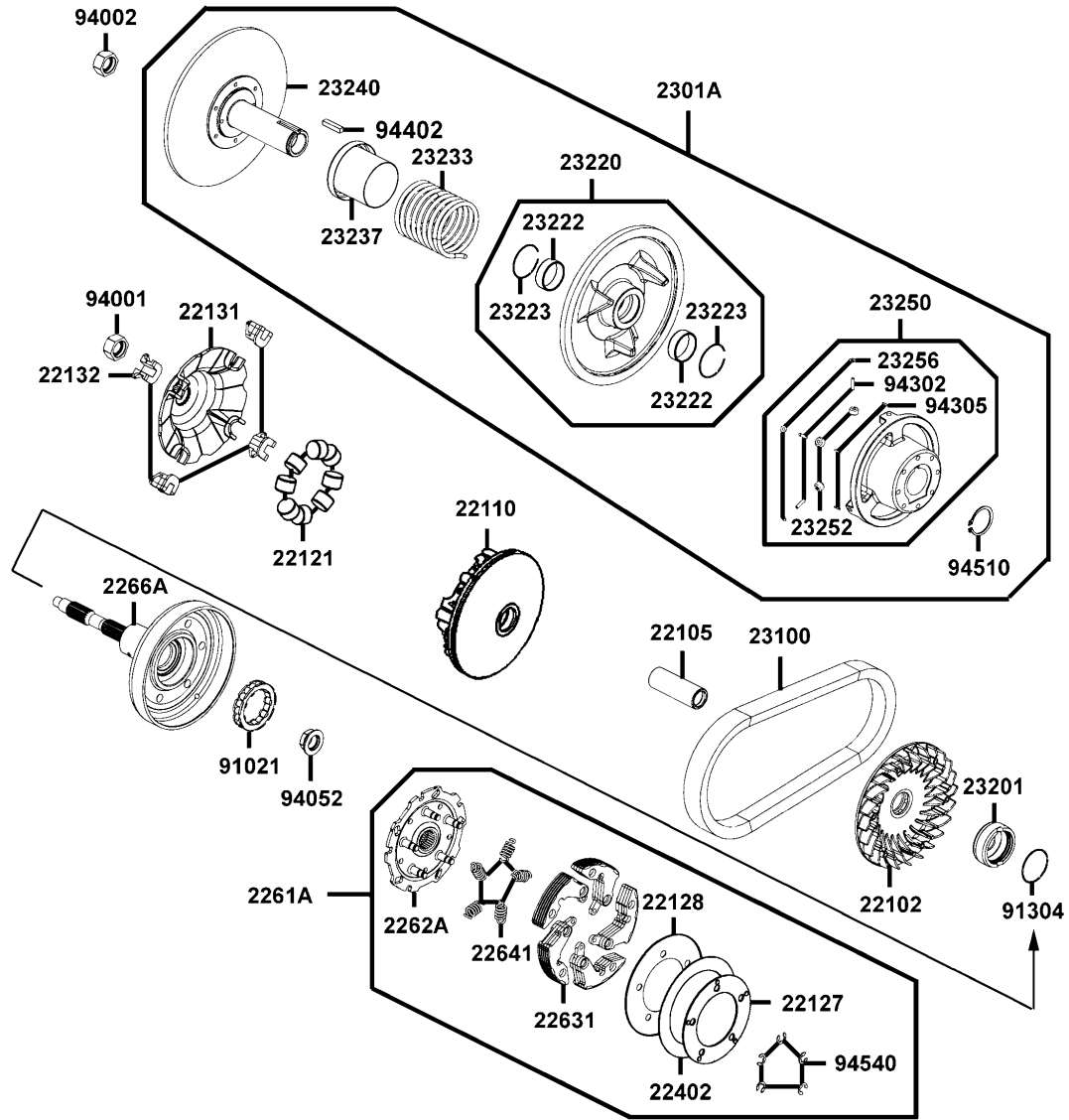
Drive Pulley



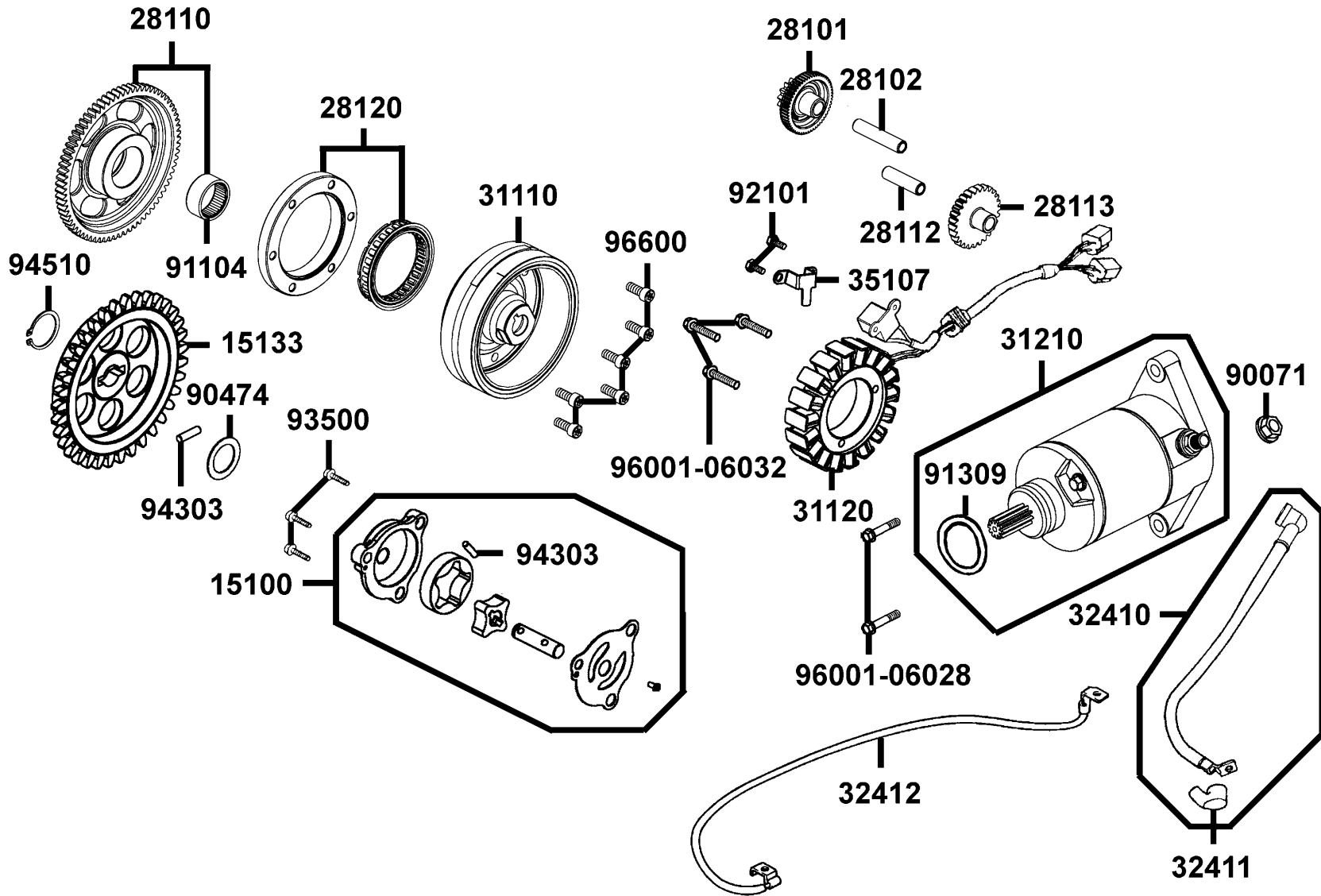
Sales mark	Ref no	Part no	Description	Reg description	Regd no	E06
22102		22102-LFA5-900	FACE DRIVE	FACE DRIVE	1	
22105		22105-PWB1-900	BOSS DRIVE FACE	BOSS DRIVE FACE	1	
22110		22110-LFA5-900	FACE COMP MOVABLE	FACE COMP MOVABLE	1	
22121		22121-LGC7-E00	ROLLER COMP WEIGHT 15g	ROLLER COMP WEIGHT 15g	6	
22127		22127-LFA5-900	SEAT ADJUSTER SPG	SEAT ADJUSTER SPG	1	
22128		22128-LFA5-900	PLATE ADJUSTER	PLATE ADJUSTER	1	
22131		22131-PWB1-900	PLATE RAMP	PLATE RAMP	1	
22132		22132-PWB1-900	PIECE SLIDE	PIECE SLIDE	4	
22402		22402-LFA5-900	SPR ADJUSTER	SPR ADJUSTER	1	
2261A		2261A-LFA5-900	CLUTCH ASSY PRIMARY	CLUTCH ASSY PRIMARY	1	
2262A		2262A-LFA5-900	PLATE COMP PRIMARY DRIVE	PLATE COMP PRIMARY DRIVE	1	
22631		22631-LFA5-900	WEIGHT COMP PRIMARY CLUTCH	WEIGHT COMP PRIMARY CLUTCH	1	
22641		22641-LFA5-900	PRIMARY CLUTCH SPRING	PRIMARY CLUTCH SPRING	1	
2266A		2266A-LFA5-900	GEAR ASSY PRIMARY DRIVE	GEAR ASSY PRIMARY DRIVE	1	
2301A		2301A-LGC7-E00	PULLEY SUB ASSY DEIVEN	PULLEY SUB ASSY DEIVEN	1	
23100		23100-PWB1-900	BELT DRIVE	BELT DRIVE	1	
23201		23201-PWB1-900	SPACER FIXED DRIVE	SPACER FIXED DRIVE	1	
23220		23220-LFA5-900	FACE COMP MOVABLE	FACE COMP MOVABLE	1	
23222		23222-PWB1-800	BUSH 35X39X10	BUSH 35X39X10	2	
23223		23223-LFA5-900	CLIP 38mm	CLIP 38mm	2	

E06

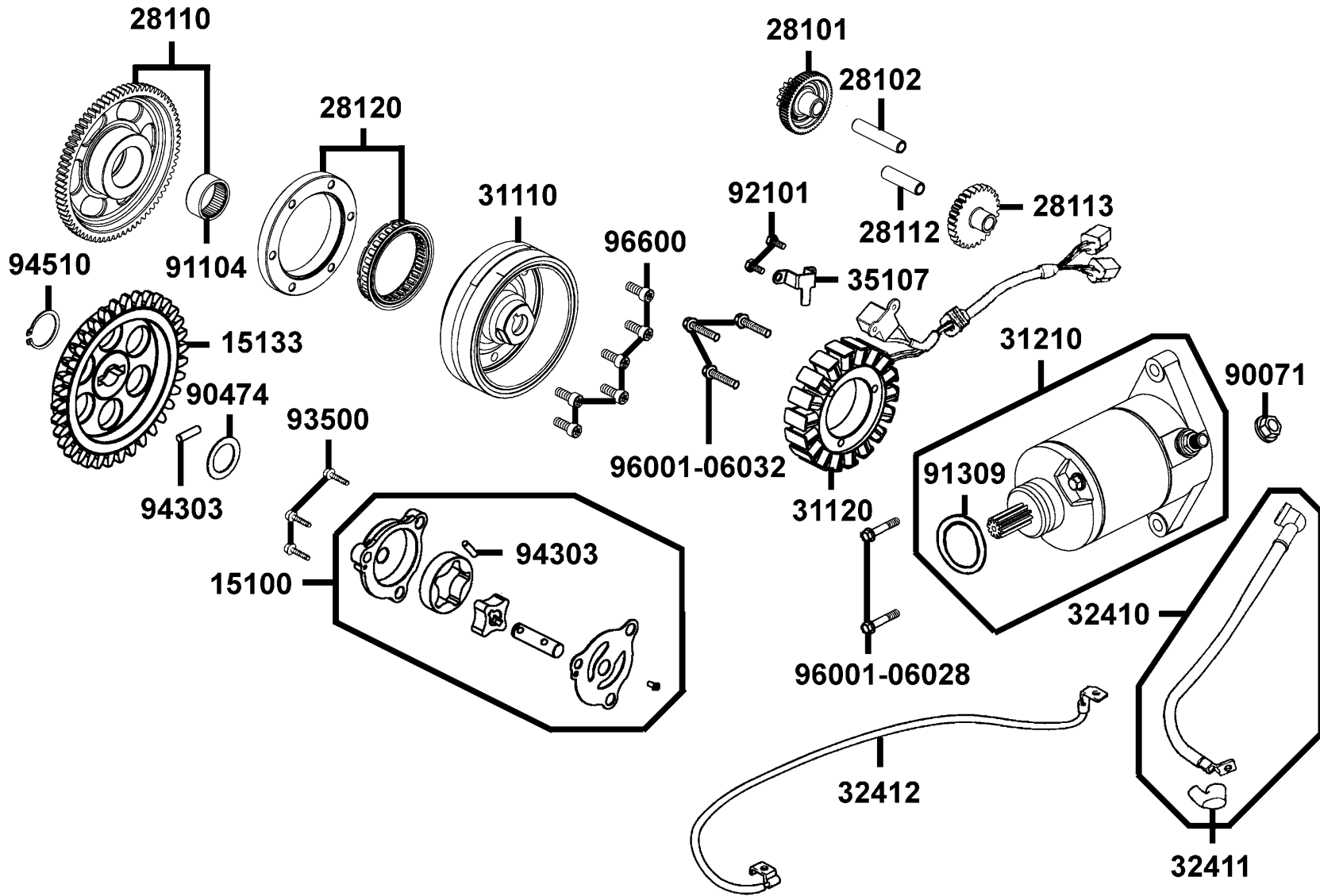
Drive Pulley



Sales mark	Ref no	Part no	Description	Reg description	Regd no	E06
	23233	23233-LGC7-E00	SPG DRIVEN FACE	SPG DRIVEN FACE	1	
	23237	23237-LFA5-900	COLLAR SEAL	COLLAR SEAL	1	
	23240	23240-LFA5-900	FACE ASSY DRIVEN	FACE ASSY DRIVEN	1	
	23250	23250-LFA5-900	CAP ASSY DRIVEN CLUTCH	CAP ASSY DRIVEN CLUTCH	1	
	23252	23252-LFA5-900	ROLLER DRIVEN CLUTCH	ROLLER DRIVEN CLUTCH	3	
	23256	23256-LFA5-900	WASHER THRUST	WASHER THRUST	3	
	91021	91021-LDB5-E00	BEARING ONE WAY	BEARING ONE WAY	1	
	91304	91304-PWB1-900	O-RING STARTER CUP	O-RING STARTER CUP	1	
	94001	94001-PWB1-900	NUT FLANGR 16mm	NUT FLANGR 16mm	1	
	94002	94002-PWB1-900	NUT FLANGR 16mm	NUT FLANGR 16mm	1	
	94052	94052-PWB1-900	NUT FLANGE 18MM	NUT FLANGE 18MM	1	
	94302	94302-06025	PIN CAM ROLLER	PIN CAM ROLLER	3	
	94305	94305-03161	PIN SPG 3x16	PIN SPG 3x16	3	
	94402	94402-LFA5-900	KEY 6x6x30	KEY 6x6x30	1	
	94510	94510-35150	CIRCLIP EX 35	CIRCLIP EX 35	1	
	94540	94540-07017	E RING 7MM	E RING 7MM	5	



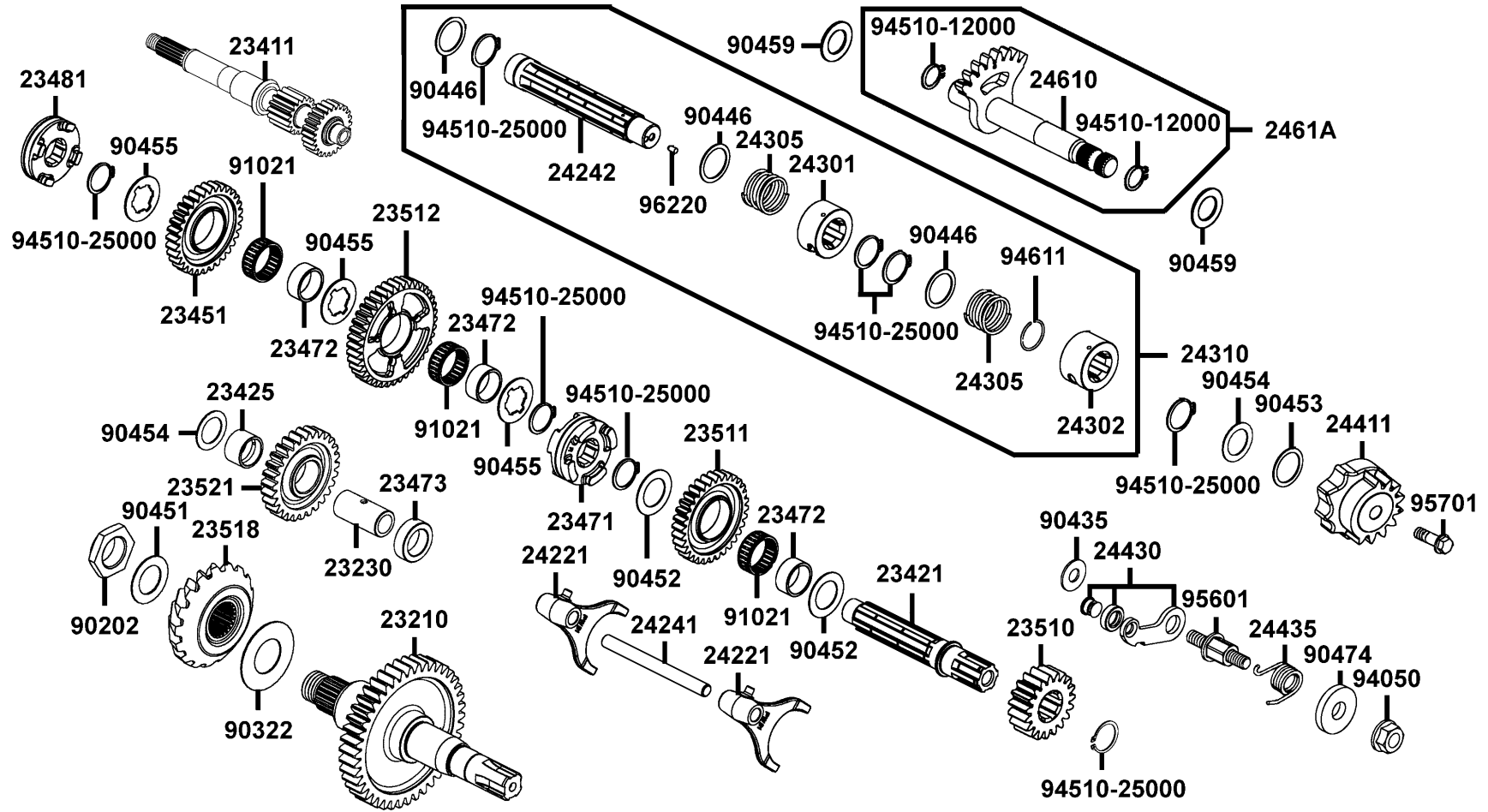
Sales mark	Ref no	Part no	Description	Reg description	Regd no	E07
15100		15100-PWB1-900	OIL PUMP ASSY	OIL PUMP ASSY	1	
15133		15133-PWB1-900	SPROCKET OIL PUMP DRIVEN	SPROCKET OIL PUMP DRIVEN	1	
28101		28101-PWB1-900	GEAR STARTER REDUCTION	GEAR STARTER REDUCTION	1	
28102		28102-PWB1-900	SHAFT STARTER REDUCTION GEAR	SHAFT STARTER REDUCTION GEAR	1	
28110		28110-PWB1-900	GEAR COMP STARTING CLUTCH	GEAR COMP STARTING CLUTCH	1	
28112		28112-PWB1-900	SHAFT A STARTER REDUCTION GEAR	SHAFT A STARTER REDUCTION GEAR	1	
28113		28113-PWB1-900	GEAR A STARTER REDUCTION	GEAR A STARTER REDUCTION	1	
28120		28120-PWB1-900	OUTER COMP STARTING CLUTCH	OUTER COMP STARTING CLUTCH	1	
31110		31110-PTA1-800	FLYWHEEL COMP	FLYWHEEL COMP	1	
31120		31120-LFA5-E00	STATOR COMP	STATOR COMP	1	
31210		31210-PTA1-800	MOTOR UNIT STARTER	MOTOR UNIT STARTER	1	
32410		32410-PTA1-800	CABLE STARTER MOTOR	CABLE STARTER MOTOR	0	
32411		32411-2C53-001	COVER STARTING MOTOR TERMINAL	COVER STARTING MOTOR TERMINAL	1	
32412		32412-PTA1-800	CABLE EARTH	CABLE EARTH	1	
35107		35107-PWB1-900	STAY A ACG STATOR	STAY A ACG STATOR	1	
90071		90071-MLB0-001	NUT WASH 6MM	NUT WASH 6MM	1	
90474		90474-1G47-001	WASHER 10.5MM	WASHER 10.5MM	1	
91104		91104-PWB1-90A	BRG NEEDLE 31X39X18	BRG NEEDLE 31X39X18	1	
91309		91309-4E25-004	O-RING 24.4*3.1	O-RING 24.4*3.1	1	
92101		92101-05012-0H	BOLT HEX 5*12	BOLT HEX 5*12	2	



Sales mark	Ref no	Part no	Description	Reg description	Regd no	E07
	93500	93500-06025-0HN	SCREW FLAT 6X25(C)	SCREW FLAT 6X25(C)	3	
	94303	94303-04160	PIN 4x16	PIN 4x16	2	
	94510	94510-10000	CIR CLIP EX 10MM	CIR CLIP EX 10MM	1	
	96001-06028	96001-06028-08N	BOLT FLANGE SH 6*28	BOLT FLANGE SH 6*28	2	
	96001-06032	96001-06032-08N	BOLT FLANGE SH 6x32	BOLT FLANGE SH 6x32	3	
	96600	96600-LDB5-E00	SOCKET BOLT 8*20	SOCKET BOLT 8*20	6	

E08

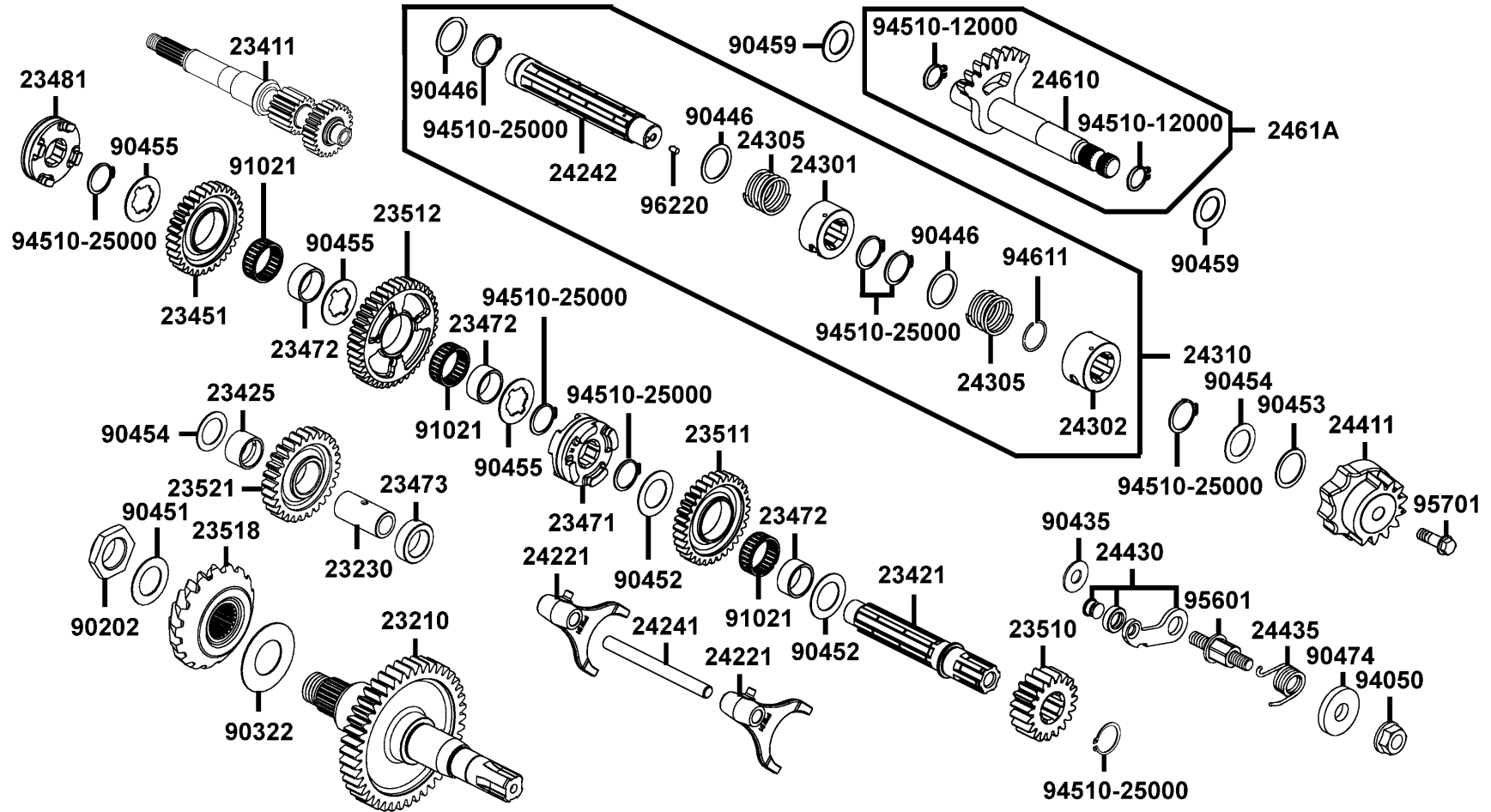
Clutch Assy Primary



Sales mark	Ref no	Part no	Description	Reg description	Regd no	E08
	23210	23210-PWB1-900	SHAFT COMP MAIN	SHAFT COMP MAIN	1	
	23230	23230-PWB1-900	SHAFT BACKWARD IDLE	SHAFT BACKWARD IDLE	1	
	23411	23411-PTA1-900	SHAFT DRIVE	SHAFT DRIVE	1	
	23421	23421-PWB1-900	SHAFT COUNTER	SHAFT COUNTER	1	
	23425	23425-PWB1-900	BUSH BACKWARD IDLE GEAR	BUSH BACKWARD IDLE GEAR	1	
	23451	23451-PWB1-900	GEAR BACKWARD DRIVEN 32T	GEAR BACKWARD DRIVEN 32T	1	
	23471	23471-PWB1-900	SHIFT FORWARD&LOW	SHIFT FORWARD&LOW	1	
	23472	23472-PWB1-900	RING 25 INNER	RING 25 INNER	3	
	23473	23473-PWB1-900	COLLAR 20X30X9.5	COLLAR 20X30X9.5	1	
	23481	23481-PWB1-900	SHIFT BACKWARD	SHIFT BACKWARD	1	
	23510	23510-PWB1-900	GEAR BACKWARD DRIVEN 19T	GEAR BACKWARD DRIVEN 19T	1	
	23511	23511-PTA1-900	GEAR FORWARD DRIVEN 32T	GEAR FORWARD DRIVEN 32T	1	
	23512	23512-PWB1-900	GEAR LOWER DRIVEN 40T	GEAR LOWER DRIVEN 40T	1	
	23518	23518-PWB1-900	BEVEL GEAR DRIVE	BEVEL GEAR DRIVE	1	
	23521	23521-PWB1-900	GEAR BACKWARD IDLE 28T	GEAR BACKWARD IDLE 28T	1	
	24221	24221-PWB1-900	FORK SHIFT	FORK SHIFT	2	
	24241	24241-PWB1-900	SHAFT SHIFT FORK	SHAFT SHIFT FORK	1	
	24242	24242-PWB1-900	SHAFT DRUM GEAR SHIFT	SHAFT DRUM GEAR SHIFT	1	
	24301	24301-PWB1-900	DRUM FORWARD	DRUM FORWARD	1	
	24302	24302-PWB1-900	DRUM ACKWARD	DRUM ACKWARD	1	

E08

Clutch Assy Primary

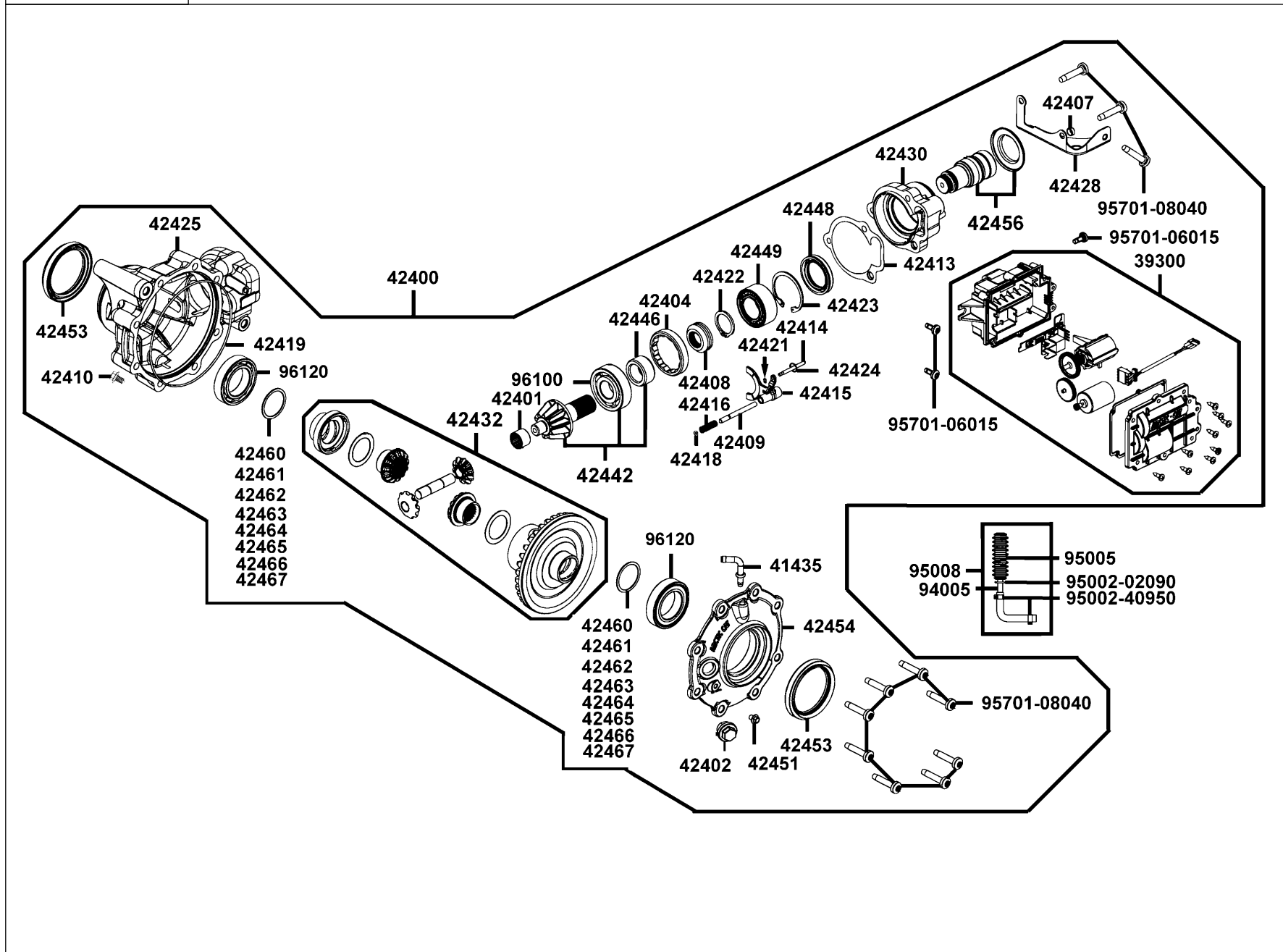


Sales mark	Ref no	Part no	Description	Reg description	Regd no	E08
24305		24305-PWB1-900	SPRING DRUM	SPRING DRUM	2	
24310		24310-PWB1-900	DRUM ASSY GEAR SHIFT	DRUM ASSY GEAR SHIFT	1	
24411		24411-PWB1-900	GEAR DRUM SHIFT	GEAR DRUM SHIFT	1	
24430		24430-PWB1-900	STOPPER COMP DRUM	STOPPER COMP DRUM	1	
24435		24435-PTA1-800	SPRING TORSION CAM ARM	SPRING TORSION CAM ARM	1	
24610		24610-PWB1-900	SPINDLE COMP DRUM SHIFT	SPINDLE COMP DRUM SHIFT	1	
2461A		2461A-PWB1-900	SPINDLE ASSY DRUM SHIFT	SPINDLE ASSY DRUM SHIFT	1	
90202		90202-PWB1-900	NUT DRIVE B GEAR M20X1.5	NUT DRIVE B GEAR M20X1.5	1	
90322		90322-PWB1-900	SHIM DRIVE BEVEL GEAR T=1.15MM	SHIM DRIVE BEVEL GEAR T=1.15MM	1	
90435		90435-HCB3-001	WASHER 6.1MM	WASHER 6.1MM	1	
90446		90446-PWB1-900	WASHER 25X32X1	WASHER 25X32X1	3	
90451		90451-LBA7-900	WASHER THRUST 20MM	WASHER THRUST 20MM	1	
90452		90452-LBA7-900	WASHER THRUST 25MM	WASHER THRUST 25MM	2	
90453		90453-1G07-001	WASHER THRUST 20M/M	WASHER THRUST 20M/M	1	
90454		90454-KED9-900	WASHER THRUST 20*1	WASHER THRUST 20*1	2	
90455		90455-LBA7-900	WASHER SPLINE 25MM	WASHER SPLINE 25MM	3	
90459		90459-PWB1-900	WASHER 12X20X1	WASHER 12X20X1	2	
90474		90474-7D04-000	WASHER 6*17*23	WASHER 6*17*23	1	
91021		91021-PWB1-90B	BRG NEEDLE KT30X35X12.8	BRG NEEDLE KT30X35X12.8	3	
94050		94050-06080	NUT FLANGE 6MM	NUT FLANGE 6MM	1	

Sales mark	Ref no	Part no	Description	Reg description	Regd no	E08
	94510-12000	94510-12000	CIR CLIP EXTERNAL 12	CIR CLIP EXTERNAL 12	2	
	94510-25000	94510-25000	CIR CLIP EXTERNAL 25	CIR CLIP EXTERNAL 25	8	
	94611	94611-PWB1-900	CLIP DRUM SHAFT	CLIP DRUM SHAFT	1	
	95601	95601-PWB1-900	SUPPORT CAM STOPPER	SUPPORT CAM STOPPER	1	
	95701	95701-06025-06	BOLT WASHER 6*25	BOLT WASHER 6*25	1	
	96220	96220-40080	ROLLER 4*8	ROLLER 4*8	1	

E09

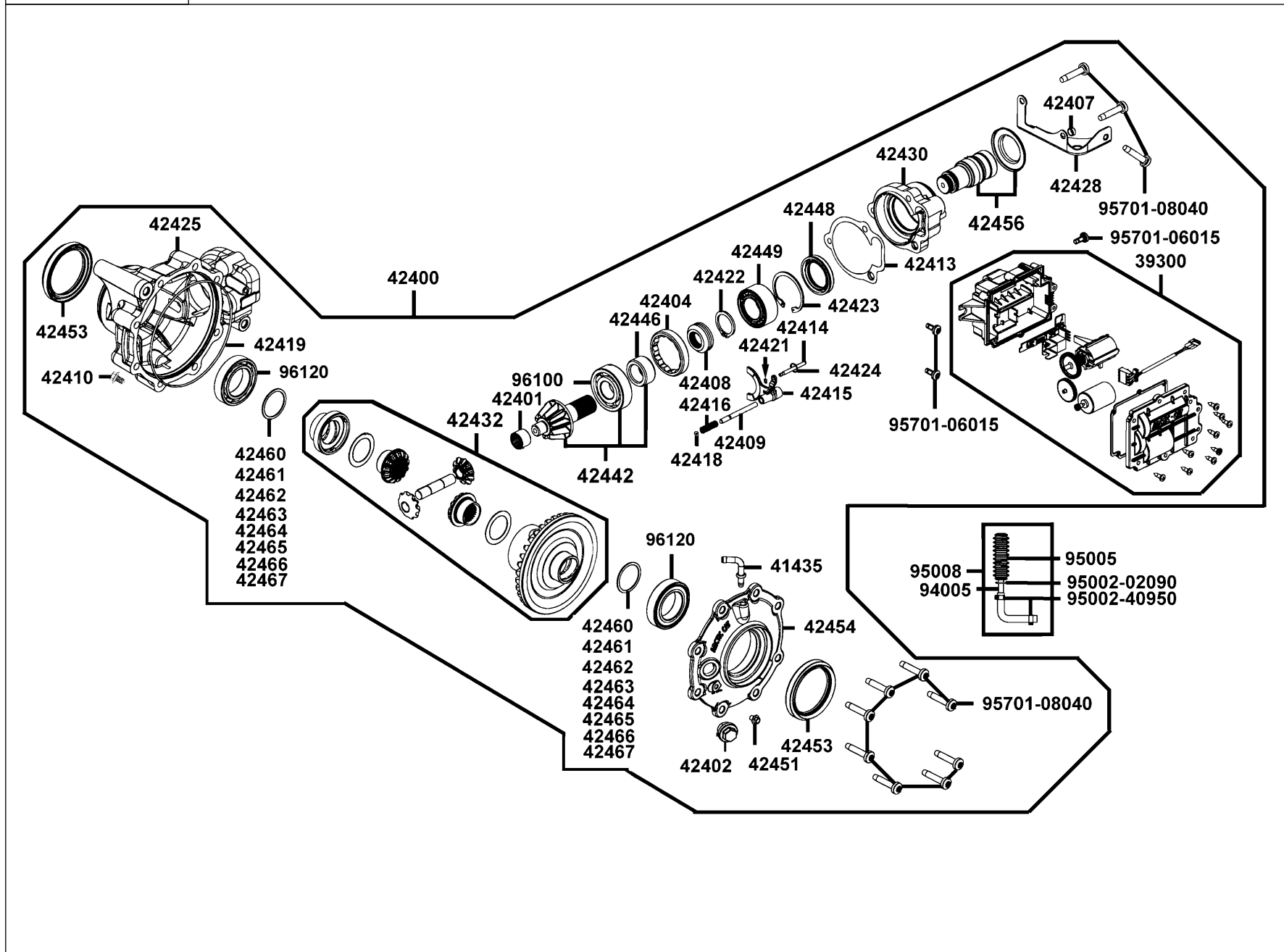
Gear Case Front



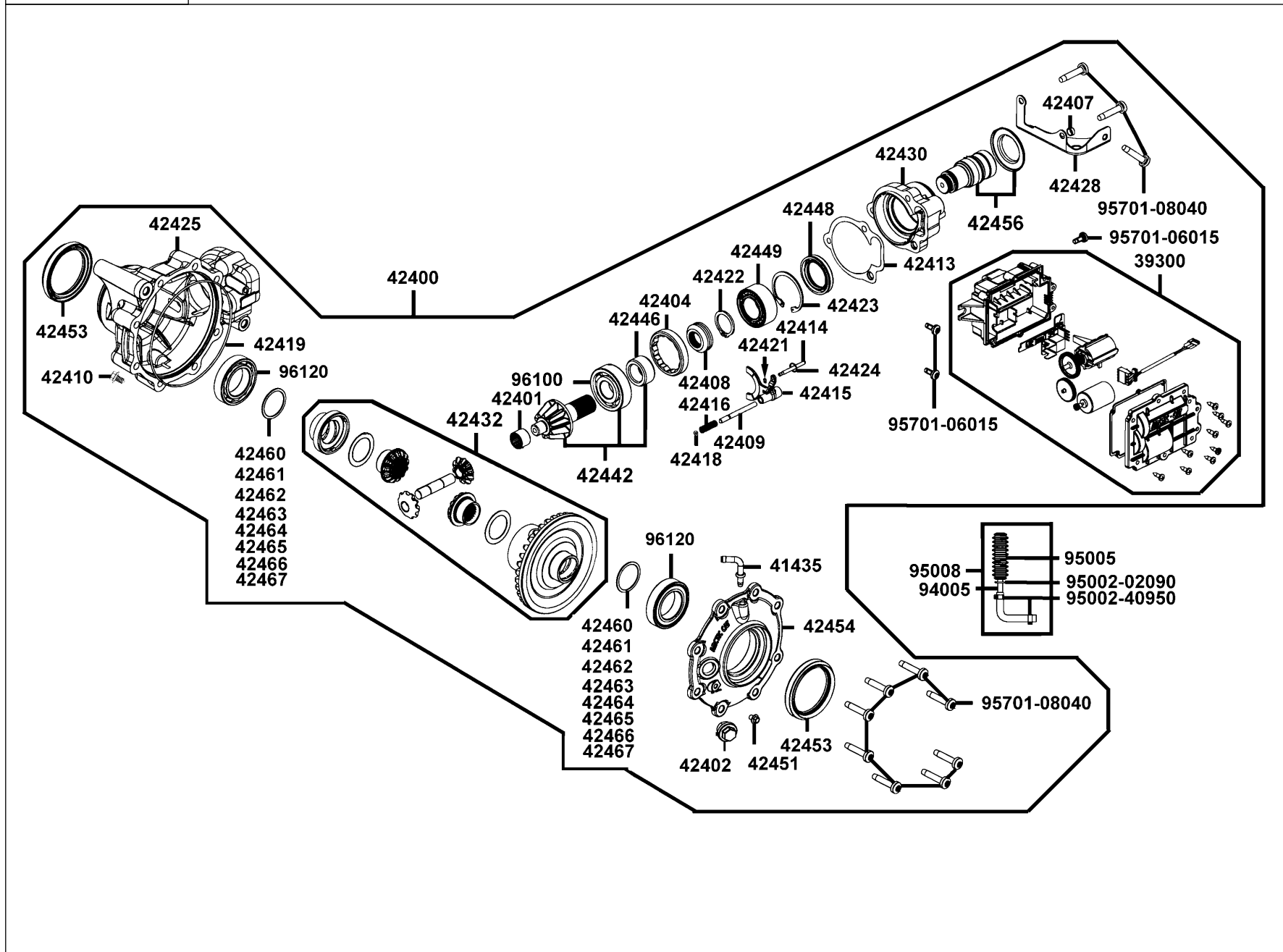
Sales mark	Ref no	Part no	Description	Reg description	Regd no	E09
39300		39300-LFA5-E00	2*4 ACTUATOR ASM	2*4 ACTUATOR ASM	1	
41435		41435-LFA5-900	BARB 90 DEG	BARB 90 DEG	1	
42400		42400-LGC3-900	GEARCASE FRONT-ASSEMBLY	GEARCASE FRONT-ASSEMBLY	1	
42401		42401-LFA5-900	BEARING NEEDLE	BEARING NEEDLE	1	
42402		42402-LFA5-900	PLUG FILL	PLUG FILL	1	
42404		42404-LFA5-910	COLLAR LOCK M64*1.5LH	COLLAR LOCK M64*1.5LH	1	
42407		42407-LFA5-900	PIN DOWEL	PIN DOWEL	1	
42408		42408-LFA5-900	COUPLER DRIVE	COUPLER DRIVE	1	
42409		42409-LFA5-900	SHAFT SHUTTLE	SHAFT SHUTTLE	1	
42410		42410-LFA5-900	PLUG DRAIN MAG	PLUG DRAIN MAG	1	
42413		42413-LFA5-900	GASKET FLANGE	GASKET FLANGE	1	
42414		42414-LFA5-900	SHAFT SELECTOR	SHAFT SELECTOR	1	
42415		42415-LFA5-900	FORK SELECTOR	FORK SELECTOR	1	
42416		42416-LFA5-900	SPRING RETURN 4WD	SPRING RETURN 4WD	1	
42418		42418-LFA5-900	O-RING 3*2MM	O-RING 3*2MM	1	
42419		42419-LFA5-900	O-RING 150*2MM	O-RING 150*2MM	1	
42421		42421-LFA5-900	RING RETAINING (4mm EXT)	RING RETAINING (4mm EXT)	1	
42422		42422-LFA5-900	RING RETAINING	RING RETAINING	1	
42423		42423-LFA5-900	RING RETAINING	RING RETAINING	1	
42424		42424-LFA5-900	O-RING ACTUATOR	O-RING ACTUATOR	1	

E09

Gear Case Front



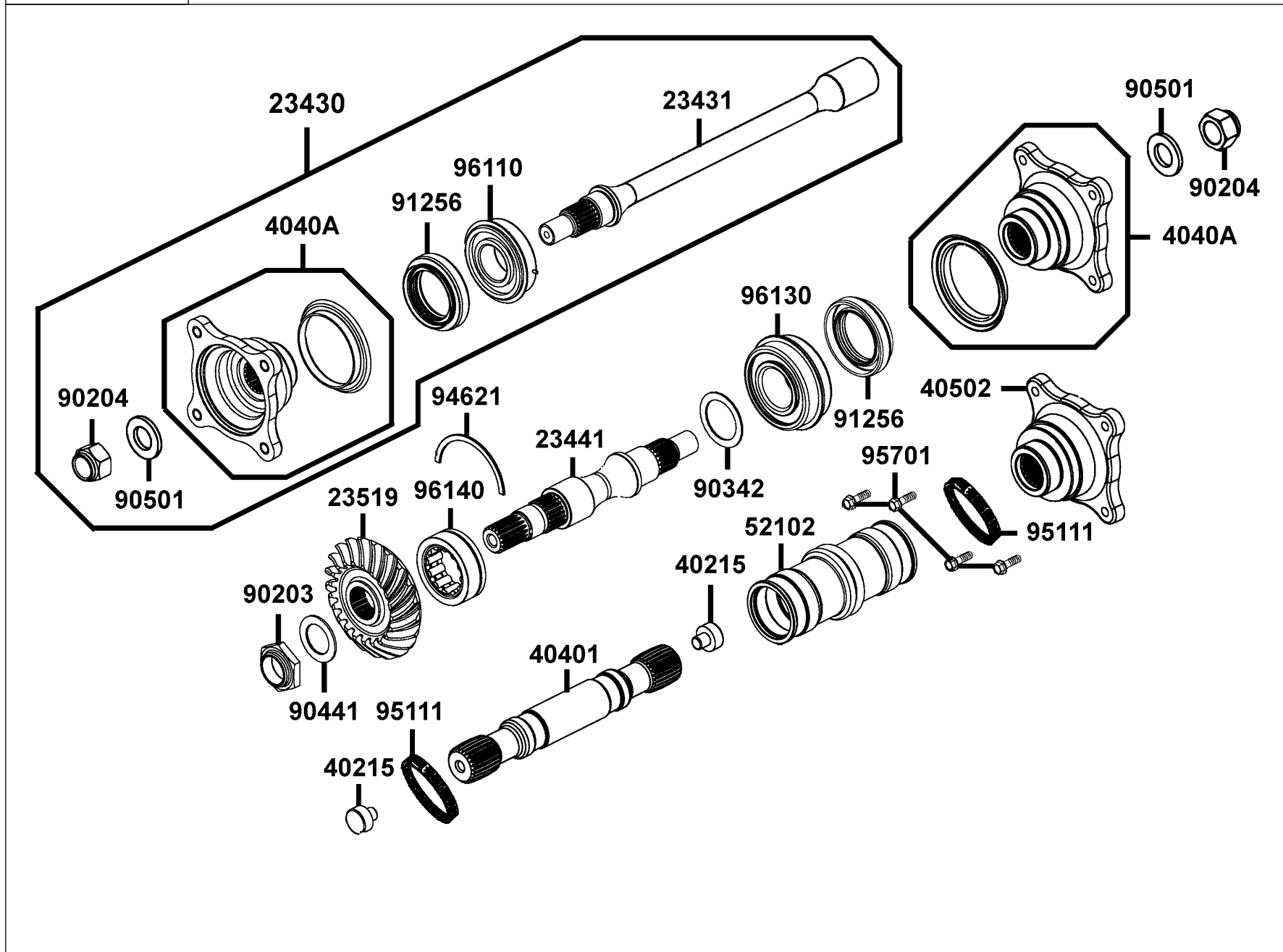
Sales mark	Ref no	Part no	Description	Reg description	Regd no	E09
	42425	42425-LFA5-900	HOUSING GEARCASE-FRONT MACH	HOUSING GEARCASE-FRONT MACH	1	
	42428	42428-LFA5-900	BRACKET ACTUATOR WELDT	BRACKET ACTUATOR WELDT	1	
	42430	42430-LFA5-900	HOUSING PINION-MACH (FRONT)	HOUSING PINION-MACH (FRONT)	1	
	42432	42432-LFA5-900	GEAR(34 TOOTH 3.1)-WELDMENT	GEAR(34 TOOTH 3.1)-WELDMENT	1	
	42442	42442-LFA5-900	PINION(11 TOOTH)-ASSEMBLY	PINION(11 TOOTH)-ASSEMBLY	1	
	42446	42446-LFA5-900	COLLAR RETAINING	COLLAR RETAINING	1	
	42448	42448-LFA5-900	SEAL 38*55*14	SEAL 38*55*14	1	
	42449	42449-LFA5-900	BEARING BALL DOUBLE ROW	BEARING BALL DOUBLE ROW	1	
	42451	42451-LFA5-900	PLUG OIL LEVEL	PLUG OIL LEVEL	1	
	42453	42453-LGC3-900	OIL SEAL 48*84*9	OIL SEAL 48*84*9	1	
	42454	42454-LFA5-900	COVER GEARCASE-FR MACH	COVER GEARCASE-FR MACH	1	
	42456	42456-LFA5-900	SHAFT INPUT ASSEMBLY	SHAFT INPUT ASSEMBLY	1	
	42460	42460-LFA5-900	SHIM 41*49*1.0	SHIM 41*49*1.0	2	
	42461	42461-LFA5-900	SHIM 41*49*1.1	SHIM 41*49*1.1	2	
	42462	42462-LFA5-900	SHIM 41*49*1.2	SHIM 41*49*1.2	2	
	42463	42463-LFA5-900	SHIM 41*49*1.3	SHIM 41*49*1.3	2	
	42464	42464-LFA5-900	SHIM 41*49*1.4	SHIM 41*49*1.4	1	
	42465	42465-LFA5-900	SHIM 41*49*1.5	SHIM 41*49*1.5	2	
	42466	42466-LFA5-900	SHIM 41*49*1.6	SHIM 41*49*1.6	2	
	42467	42467-LFA5-900	SHIM 41*49*1.7	SHIM 41*49*1.7	2	



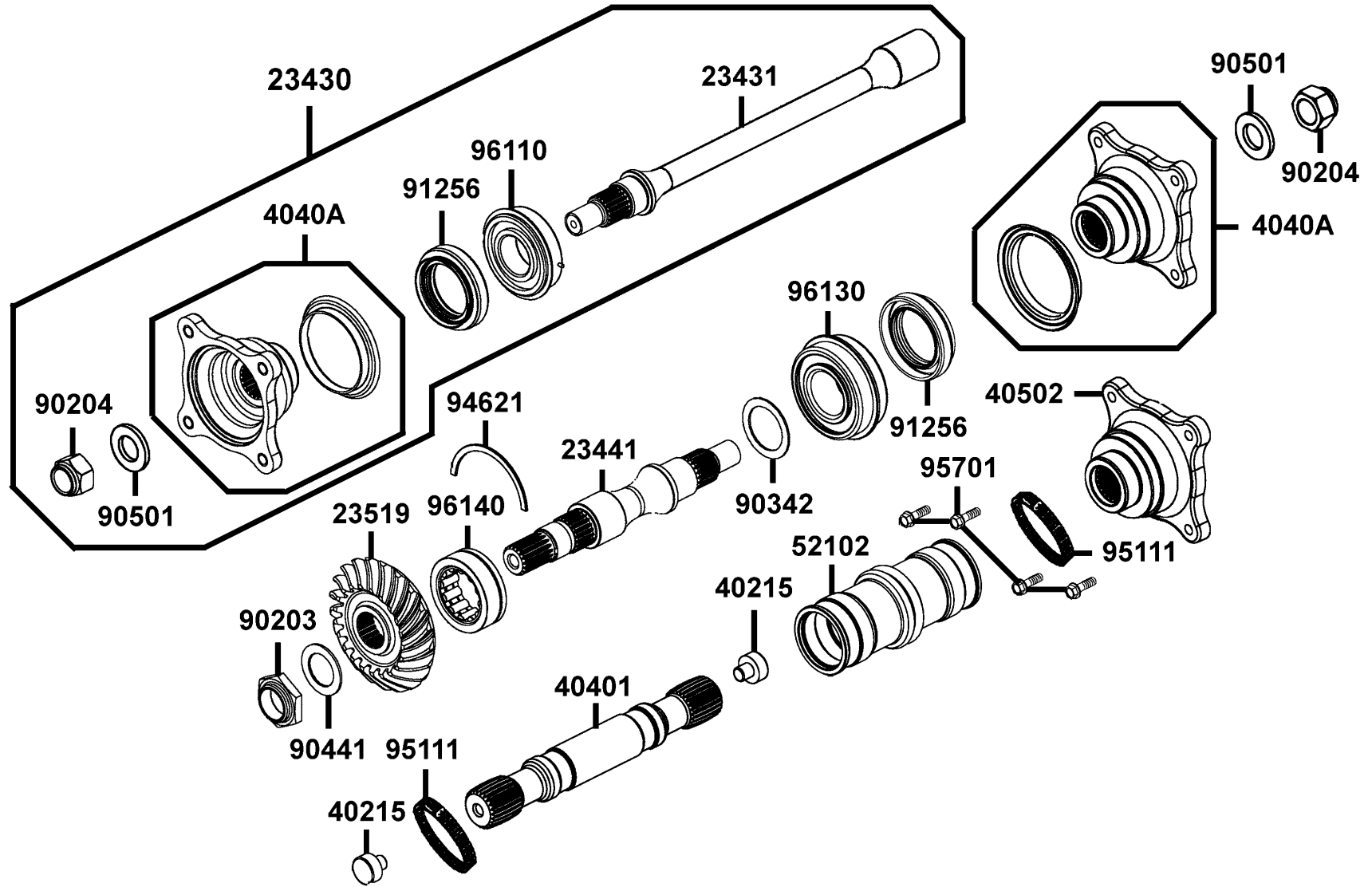
Sales mark	Ref no	Part no	Description	Reg description	Regd no	E09
	94005	94005-PWB1-900	HOSE BARB INTAKE MANIFOLD	HOSE BARB INTAKE MANIFOLD	1	
	95002-02090	95002-02090	CLIP B9 TUBE	CLIP B9 TUBE	1	
	95002-40950	95002-40950-08	CLAMP D9.5 TUBE	CLAMP D9.5 TUBE	2	
	95005	95005-PWB1-900	BREATH TUBE RR GEAR ASSY	BREATH TUBE RR GEAR ASSY	1	
	95008	95008-PWB1-900	HOSE VENT-GEARCASE (64mm)	HOSE VENT-GEARCASE (64mm)	1	
	95701-06015	95701-06015-08	BOLT FLANGE 6*15 (C)	BOLT FLANGE 6*15 (C)	3	
	95701-08040	95701-08040-08	BOLT FLANGE 8*40	BOLT FLANGE 8*40	11	
	96100	96100-63050-00	BRG BALL RADIAL 6305	BRG BALL RADIAL 6305	1	
	96120	96120-60080-10	BEARING BALL	BEARING BALL	2	

E10

Shaft Drive Front



Sales mark	Ref no	Part no	Description	Reg description	Regd no	E10
23430		23430-PWB1-900	SHAFT ASSY FINAL DRIVEN FR	SHAFT ASSY FINAL DRIVEN FR	1	
23431		23431-PWB1-900	SHAFT FINAL DRIVEN FRONT	SHAFT FINAL DRIVEN FRONT	1	
23441		23441-PWB1-900	SHAFT FINAL DRIVEN REAR	SHAFT FINAL DRIVEN REAR	1	
23519		23519-PWB1-900	BEVEL GEAR DRIVEN	BEVEL GEAR DRIVEN	1	
40215		40215-PWB1-900	BUMPER DRIVESHAFT	BUMPER DRIVESHAFT	2	
40401		40401-PWB1-900	SHAFT PROPELLER FRONT	SHAFT PROPELLER FRONT	1	
4040A		4040A-PWB1-900	COUPLING REAR OUTPUT SHAFT	COUPLING REAR OUTPUT SHAFT	2	
40502		40502-PWB1-900	FLANGE OUTPUT	FLANGE OUTPUT	1	
52102		52102-PWB1-900	BOOT COUPLER-FRONT	BOOT COUPLER-FRONT	1	
90203		90203-PWB1-900	NUT DRIVEN B GEAR M22X1.5	NUT DRIVEN B GEAR M22X1.5	1	
90204		90204-PWB1-900	NUT HEX SHOULDER (M16X1.5)	NUT HEX SHOULDER (M16X1.5)	2	
90342		90342-PWB1-900	SHIM DRIVEN BEVEL GEAR T=1.15MM	SHIM DRIVEN BEVEL GEAR T=1.15MM	1	
90441		90441-LBA2-E00	WASHER 22*34*2.5	WASHER 22*34*2.5	1	
90501		90501-KNBN-901	WASHER 16MM	WASHER 16MM	2	
91256		91256-PWB1-900	OIL SEAL 34X52X9	OIL SEAL 34X52X9	2	
94621		94621-PWB1-900	RING DRIVEN BEARING	RING DRIVEN BEARING	1	
95111		95111-PWB1-900	CLAMP BOOT	CLAMP BOOT	2	
95701		95701-08020-06	BOLT FLANGE 8*20	BOLT FLANGE 8*20	4	
96110		96110-PWB1-900	BRG BALL SNAP 25X52X15	BRG BALL SNAP 25X52X15	1	
96130		96130-PWB1-900	BEARING BALL D/R 25X52X20.6	BEARING BALL D/R 25X52X20.6	1	

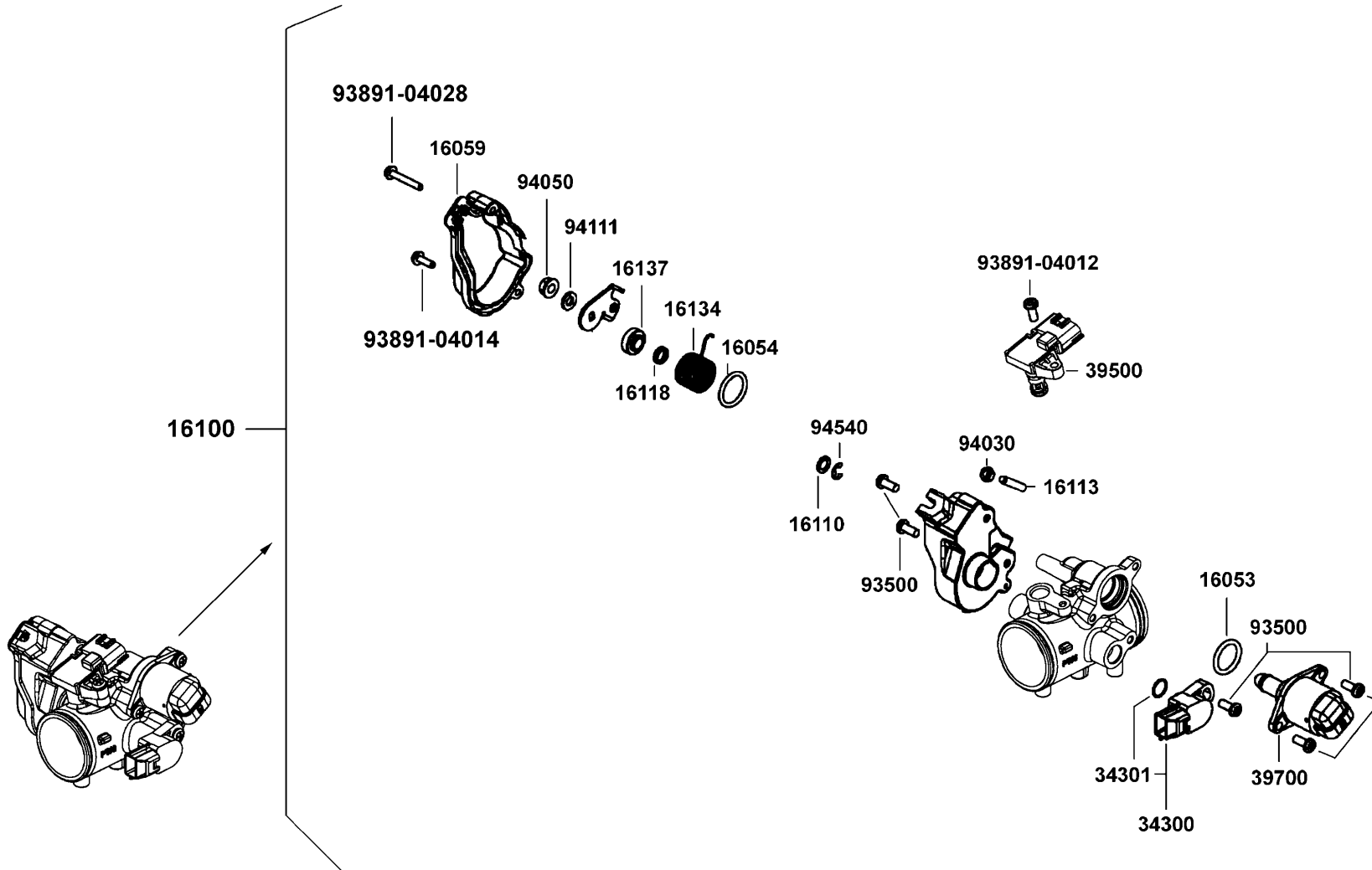


Sales mark	Ref no	Part no	Description	Reg description	Regd no	E10
------------	--------	---------	-------------	-----------------	---------	------------

	96140	96140-PWB1-900	BRG ROLLER 30X50X17	BRG ROLLER 30X50X17	1	
--	-------	----------------	---------------------	---------------------	---	--

E11

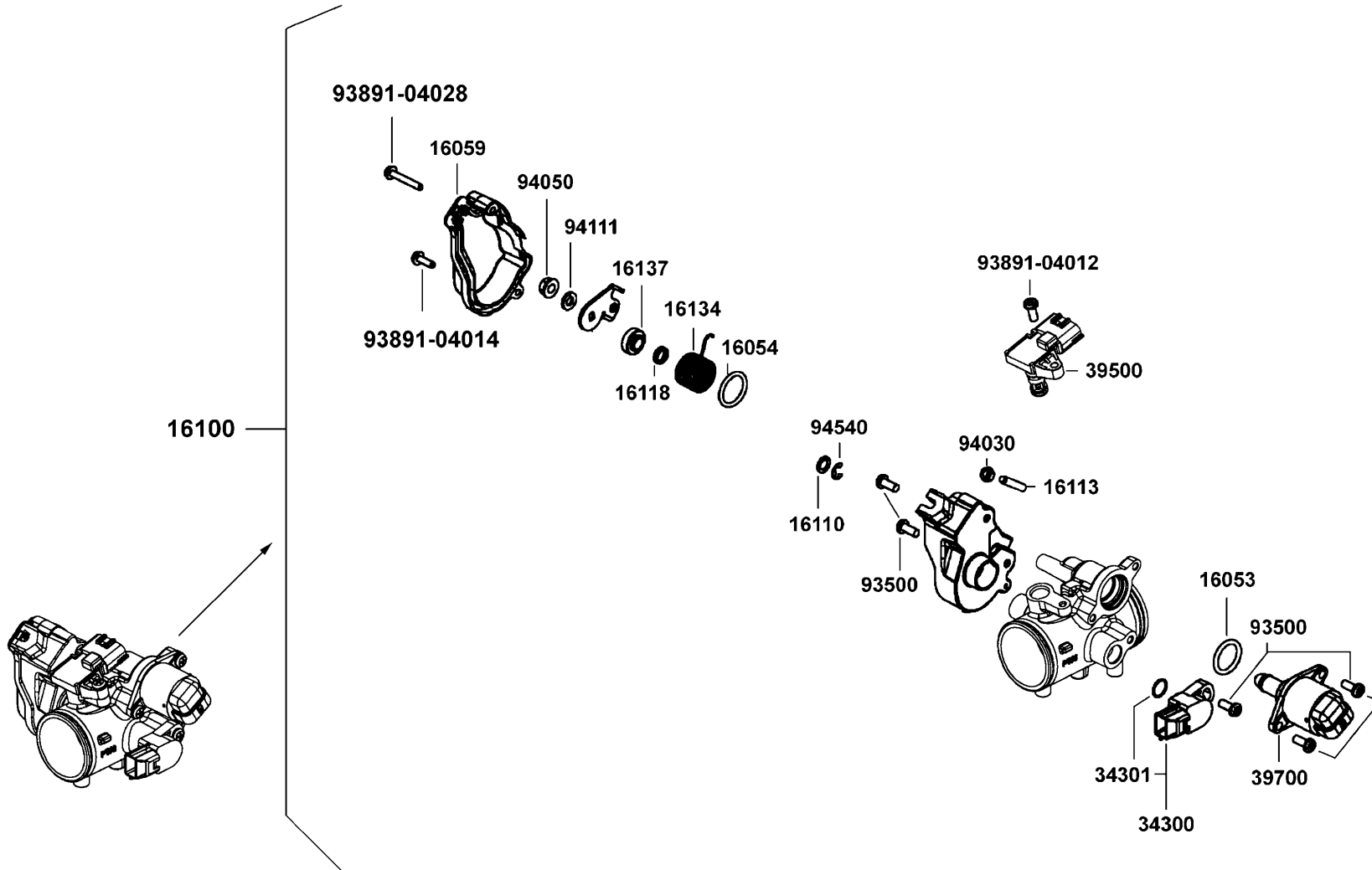
Carburetor



Sales mark	Ref no	Part no	Description	Reg description	Regd no	E11
	16053	16053-PTA1-800	SEAL	SEAL	1	
	16054	16054-PTA1-800	OIL RING	OIL RING	1	
**	16059	16059-LDB5-E00	COVER WIRE STAY	COVER WIRE STAY	1	
	16100	16100-PTA1-E00	THROTTLE BODY ASSY	THROTTLE BODY ASSY	1	
	16110	16110-KGC5-900	WASHER THROTTLE ASSY	WASHER THROTTLE ASSY	1	
	16113	16113-PTA1-800	PILOT SCREW	PILOT SCREW	1	
	16118	16118-LBF2-900	SEAL THROTTLE SHAFT	SEAL THROTTLE SHAFT	1	
	16134	16134-LDB5-E00	SPG THROTTLE SHAFT	SPG THROTTLE SHAFT	1	
	16137	16137-PTA1-800	COLLAR LEVER	COLLAR LEVER	1	
	34300	34300-KKE3-900	THROTTLE POSITION SENSOR	THROTTLE POSITION SENSOR	1	
	34301	34301-KKE3-900	O-RING T.P.S.	O-RING T.P.S.	1	
	39500	39500-PTA1-800	SENSOR T-MAP	SENSOR T-MAP	1	
	39700	39700-PTA1-800	BY PASS VALVE IDLE AIR	BY PASS VALVE IDLE AIR	1	
	93500	93500-05012-08	SCREW 5*12	SCREW 5*12	5	
	93891-04012	93891-04012-08	SCREW WASH 4*12	SCREW WASH 4*12	2	
	93891-04014	93891-04014-06	SCRE-EASH 4X14	SCRE-EASH 4X14	1	
	93891-04028	93891-04028-06	SCREW-WASH.,4x28	SCREW-WASH.,4x28	1	
	94030	94030-PTA1-800	NUT HEX 5mm	NUT HEX 5mm	1	
	94050	94050-06080	NUT FLANGE 6MM	NUT FLANGE 6MM	1	
	94111	94111-06800	WASHER SPG 6MM	WASHER SPG 6MM	1	

E11

Carburetor

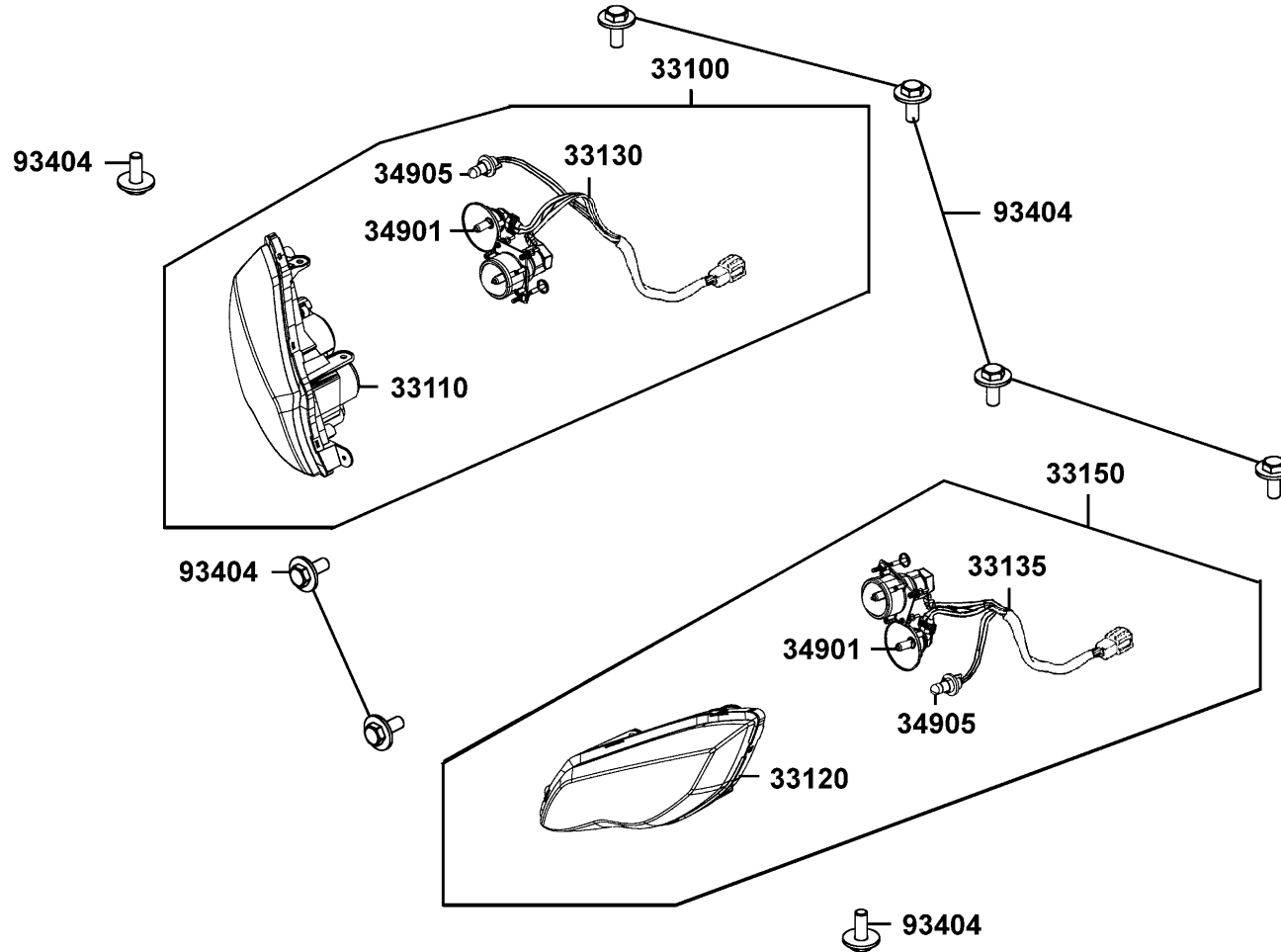


Sales mark	Ref no	Part no	Description	Reg description	Regd no	E11
------------	--------	---------	-------------	-----------------	---------	------------

	94540	94540-50029	E CLIP SHAFT	E CLIP SHAFT	1	
--	-------	-------------	--------------	--------------	---	--

F01

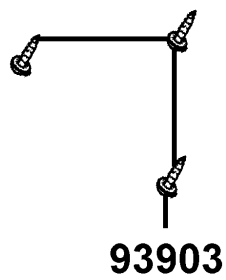
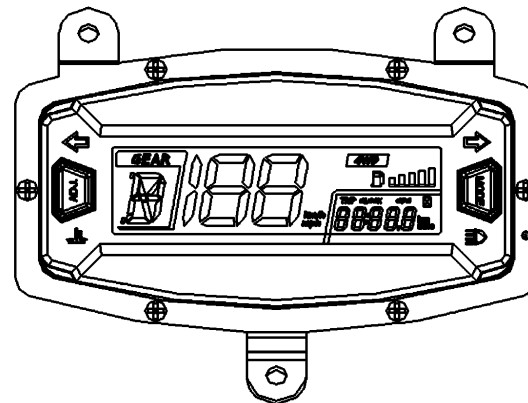
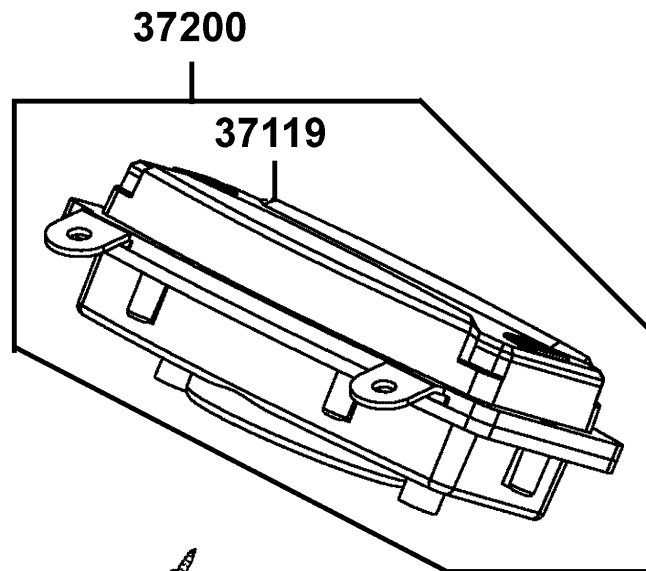
Head Light



Sales mark	Ref no	Part no	Description	Reg description	Regd no	F01
	33100	33100-LGN5-E60	LIGHT ASS'Y R HEAD	LIGHT ASS'Y R HEAD	1	
	33110	33110-LGN5-E60	UNIT HEAD LIGHT R	UNIT HEAD LIGHT R	1	
	33120	33120-LGN5-E60	UNIT HEAD LIGHT L	UNIT HEAD LIGHT L	1	
	33130	33130-LGN5-E00	SOCKET COMP	SOCKET COMP	1	
	33135	33135-LGN5-E00	SOCKET COMP	SOCKET COMP	1	
	33150	33150-LGN5-E60	LIGHT ASS'Y L HEAD	LIGHT ASS'Y L HEAD	1	
	34901	34901-KGB5-M30	BULB HEAD LIGHT	BULB HEAD LIGHT	2	
	34905	34905-LCA5-900	BULB POSITION 12V5W	BULB POSITION 12V5W	2	
	93404	93404-06016-06	BOLT WASHER 6*16	BOLT WASHER 6*16	8	

F02

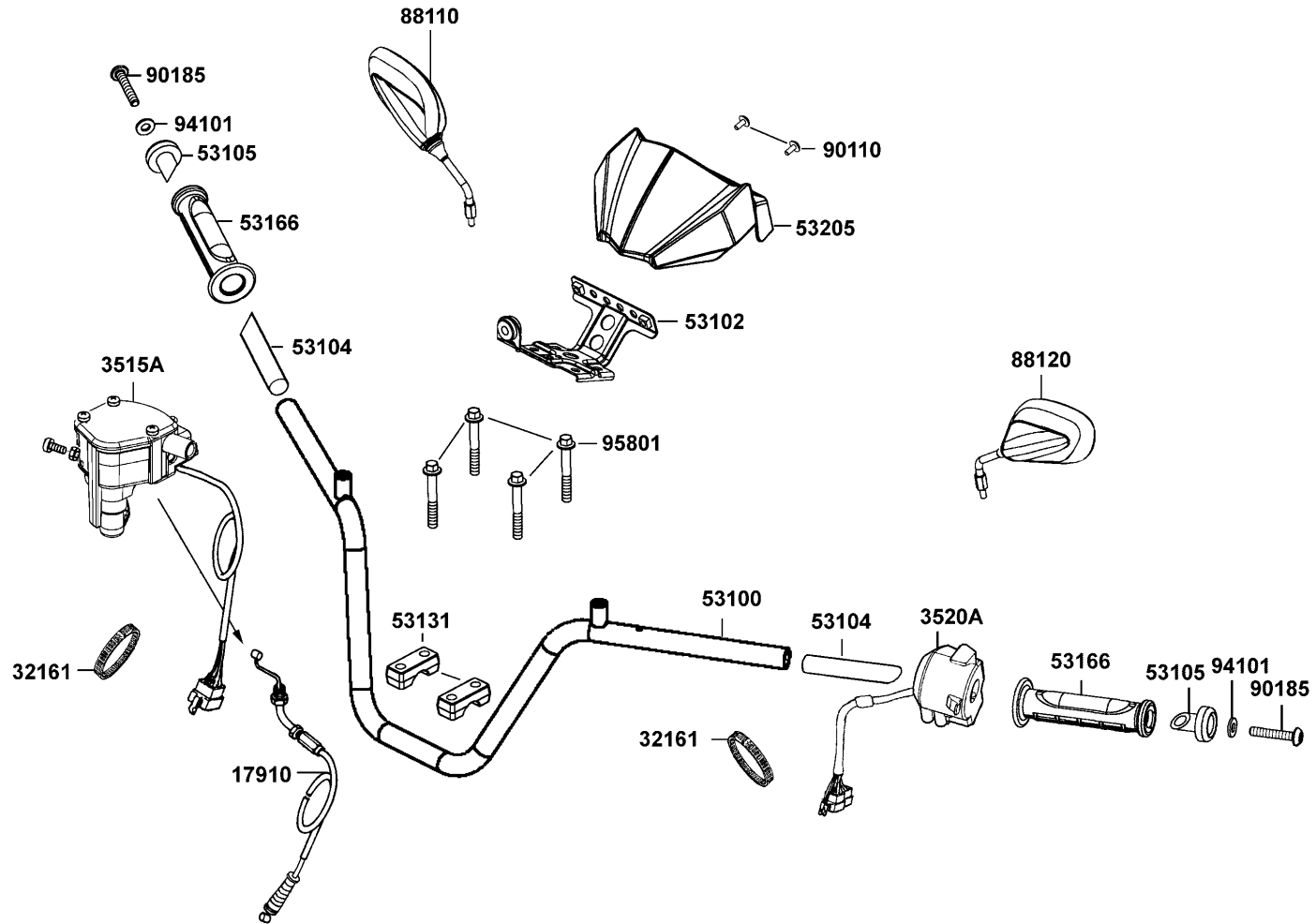
DIGITAL GAUGE



Sales mark	Ref no	Part no	Description	Reg description	Regd no	F02
	37119	37119-PTA1-800	LENS ASSY	LENS ASSY	1	
	37200	37200-PTA1-800	DIGITAL GAUGE	DIGITAL GAUGE	1	
	93903	93903-35360	SCREW TAPPING 5*16	SCREW TAPPING 5*16	3	

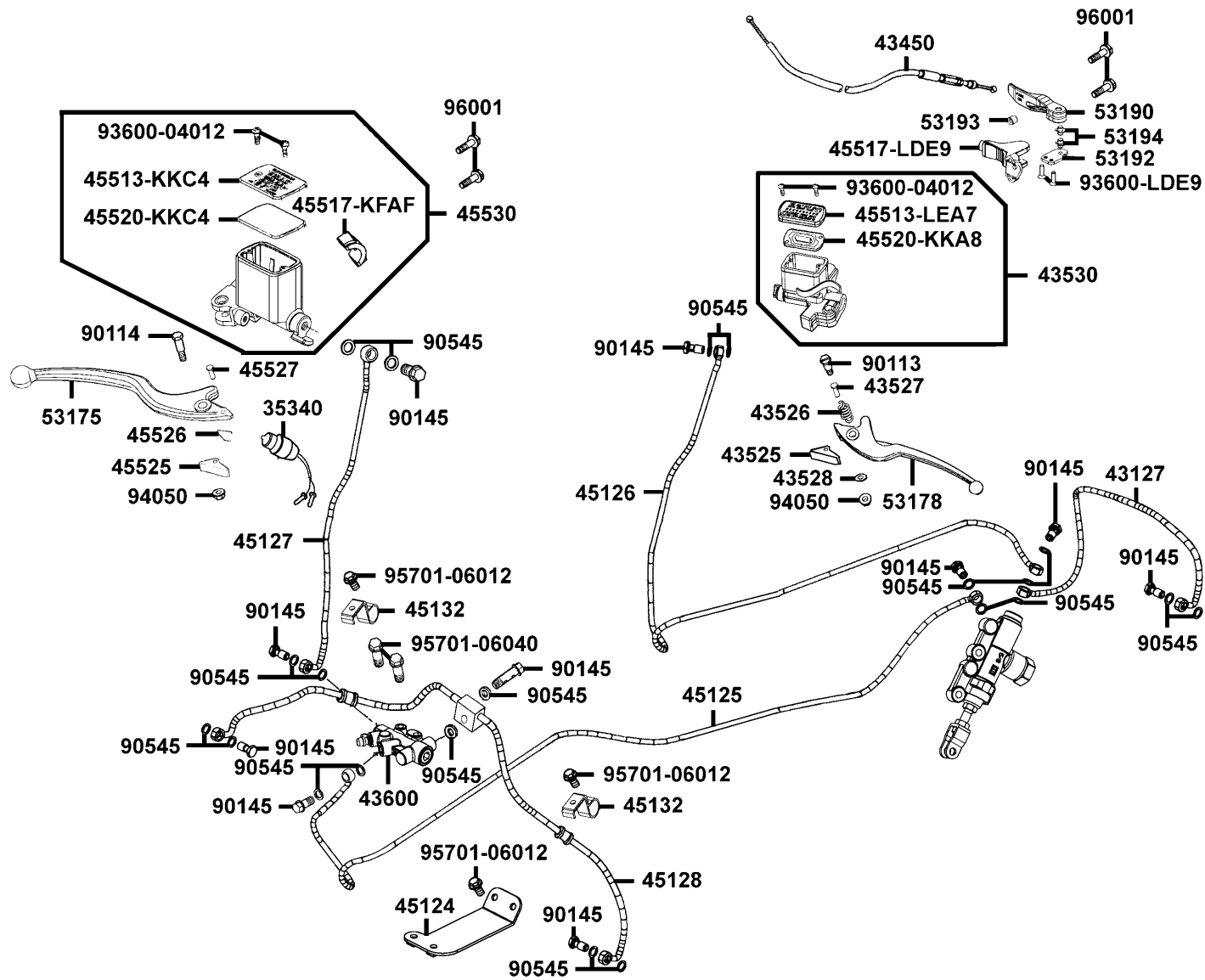
F03

Tube Handlebar



Sales mark	Ref no	Part no	Description	Reg description	Regd no	F03
	17910	17910-LFA5-E00	CABLE COMP THROT	CABLE COMP THROT	1	
	32161	32161-4D04-001	BAND BI WIRE	BAND BI WIRE	2	
	3515A	3515A-LDB5-E00	SW & THROT ASSY RH HNDL	SW & THROT ASSY RH HNDL	1	
	3520A	3520A-LDB5-E00	SW ASSY HANDLE COMP	SW ASSY HANDLE COMP	1	
	53100	53100-LGN5-E00	TUBE, HANDLEBAR	TUBE, HANDLEBAR	1	
	53102	53102-LGN5-E00	STAY HANDLE COVER	STAY HANDLE COVER	1	
	53104	53104-PWB1-900	PLUG HANDLEBAR	PLUG HANDLEBAR	2	
	53105	53105-PWB1-900	END HANDLEBAR-BLACK	END HANDLEBAR-BLACK	2	
	53131	53131-PWB1-900	CAP STEERING ADJUSTER	CAP STEERING ADJUSTER	2	
	53166	53166-LGN5-E00	GRIP HANDLEBAR	GRIP HANDLEBAR	2	
**	53205	53205-LGN5-E00	COVER HANDLE	COVER HANDLE	1	
**	88110	88110-LDF3-E00	MIRROR ASSY R BACK	MIRROR ASSY R BACK	1	
**	88120	88120-LDF3-E00	MIRROR ASSY L BACK	MIRROR ASSY L BACK	1	
	90110	90110-PWA2-900	BOLT SPECIAL 6*16	BOLT SPECIAL 6*16	2	
	90185	90185-PWB1-900	SOCKET BOLT 8x45	SOCKET BOLT 8x45	2	
	94101	94101-08600	WASHER PLAIN 8MM	WASHER PLAIN 8MM	2	
	95801	95801-08055-08	BOLT FLANGE 8*55	BOLT FLANGE 8*55	4	

Master Cylinder



Sales mark	Ref no	Part no	Description	Reg description	Regd no	F04
35340		35340-LDB5-900	SW ASSY FR STOP	SW ASSY FR STOP	1	
43127		43127-LFA5-E00	HOSE BRAKE SECONDARY	HOSE BRAKE SECONDARY	1	
43450		43450-LFA5-E00	CABLE PARKING BRAKE	CABLE PARKING BRAKE	1	
43525		43525-PWA1-900	LEVER PARKING	LEVER PARKING	1	
43526		43526-PWA1-900	SPRING RETURN	SPRING RETURN	1	
43527		43527-PWA1-900	PIN	PIN	1	
43528		43528-PWA1-900	CLIP	CLIP	1	
43530		43530-LFA5-305	CYLINDER SET RR MASTER	CYLINDER SET RR MASTER	1	
43600		43600-LDB5-E00	PGV ASSY	PGV ASSY	1	
45124		45124-PWB1-E00	STAY PGV	STAY PGV	1	
45125		45125-LFA5-E00	HOSE BRAKE-JUNCTION/DIRM	HOSE BRAKE-JUNCTION/DIRM	1	
45126		45126-LFA5-E00	HOSE ASSY FR BRK	HOSE ASSY FR BRK	1	
45127		45127-LFA5-E00	HOSE BRAKE LH M/C-FOOT M/C	HOSE BRAKE LH M/C-FOOT M/C	1	
45128		45128-LFA5-E01	HOSE FR BRK	HOSE FR BRK	1	
45132		45132-LBA7-900	CLAMPER FR BRAKE HOSE	CLAMPER FR BRAKE HOSE	2	
45513-KKC4		45513-KKC4-900	CAP M/C	CAP M/C	1	
45513-LEA7		45513-LEA7-E00	CAP M/C	CAP M/C	1	
45517-KFAF		45517-KFAF-900	HOLDER M/C	HOLDER M/C	1	
45517-LDE9		45517-LDE9-E00	HOLDER	HOLDER	1	
45520-KKA8		45520-KKA8-900	DIAPHRAGM	DIAPHRAGM	1	

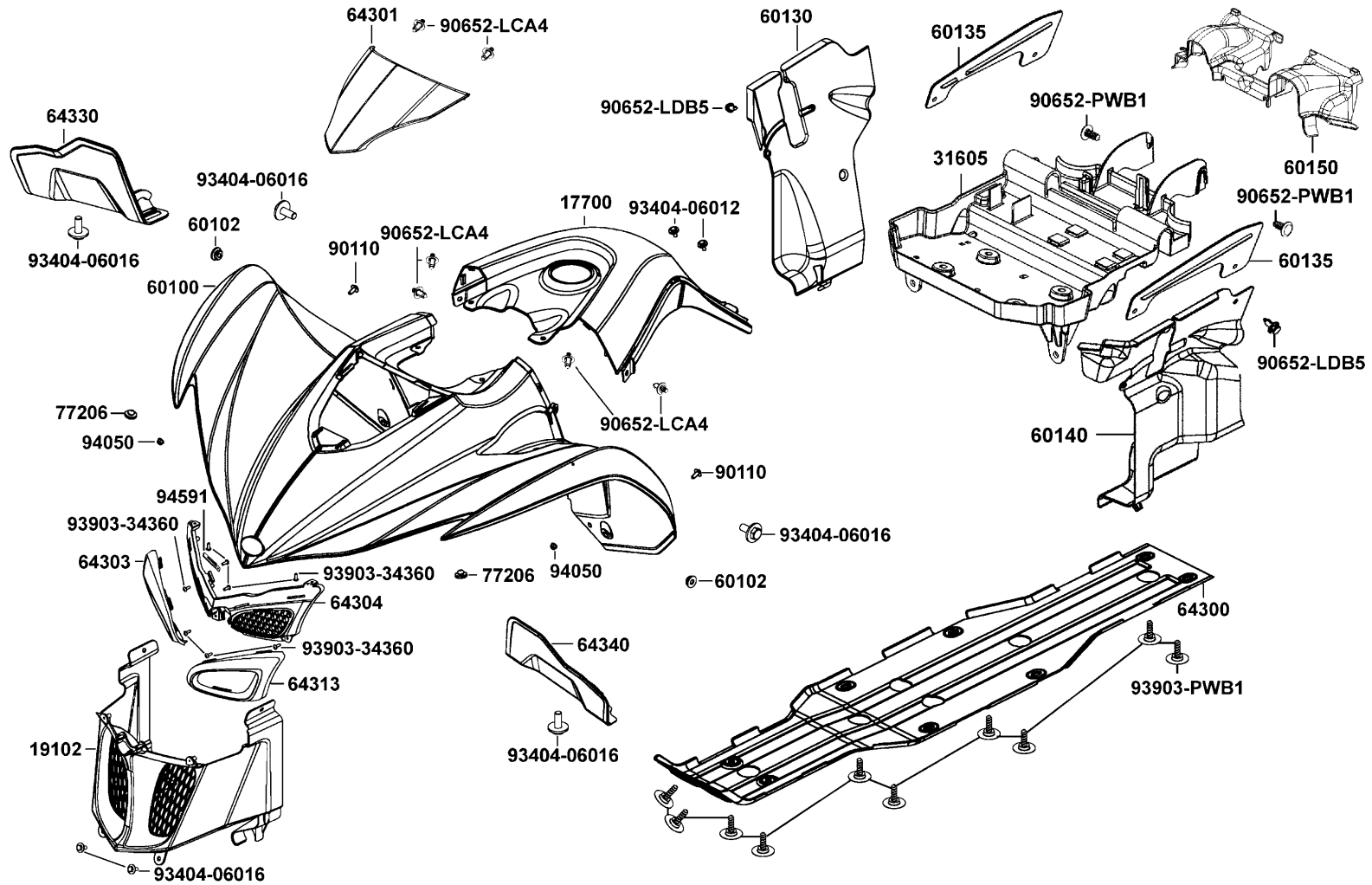
Sales mark	Ref no	Part no	Description	Reg description	Regd no	F04
	45520-KKC4	45520-KKC4-900	DIAPHRAGM	DIAPHRAGM	2	
	45525	45525-LBA7-900	STOPPER	STOPPER	1	
	45526	45526-LBA7-900	SPRING	SPRING	1	
	45527	45527-LBA7-900	PIN PARK	PIN PARK	1	
	45530	45530-LDB5-305	CYLINDER SET FR	CYLINDER SET FR	1	
	53175	53175-LFA5-E00	LEVER R STRG HANDLE	LEVER R STRG HANDLE	1	
	53178	53178-PWA1-900	LEVER L STRG HANDLE	LEVER L STRG HANDLE	1	
	53190	53190-LDE9-E00	LEVER	LEVER	1	
	53192	53192-LDE9-E00	BRACKET	BRACKET	1	
	53193	53193-LDE9-E00	STOPPER	STOPPER	1	
	53194	53194-LDE9-E00	PIVOT	PIVOT	1	
	90113	90113-KKA8-900	BOLT L STEERING HANDLE	BOLT L STEERING HANDLE	1	
	90114	90114-1F66-007	BOLT HANDLE LEVER	BOLT HANDLE LEVER	2	
	90145	90145-MKS9-61A	OIL BOLT 10*22	OIL BOLT 10*22	10	
	90545	90545-3L00-001	WASHER OIL BOLT	WASHER OIL BOLT	21	
	93600-04012	93600-04012-1G	SCREW FLAT 4*12	SCREW FLAT 4*12	4	
	93600-LDE9	93600-LDE9-E00	SCREW FLAT M6	SCREW FLAT M6	2	
	94050	94050-06060	NUT FLANGE 6MM	NUT FLANGE 6MM	2	
	95701-06012	95701-06012-06	BOLT FLANGE 6*12	BOLT FLANGE 6*12	3	
	95701-06040	95701-06040-06	BOLT FLANGE 6*40	BOLT FLANGE 6*40	2	

Sales mark	Ref no	Part no	Description	Reg description	Regd no	F04
------------	--------	---------	-------------	-----------------	---------	------------

	96001	96001-06022-06	BOLT FLANGE 6*20	BOLT FLANGE 6*20	4	
--	-------	----------------	------------------	------------------	---	--

F05

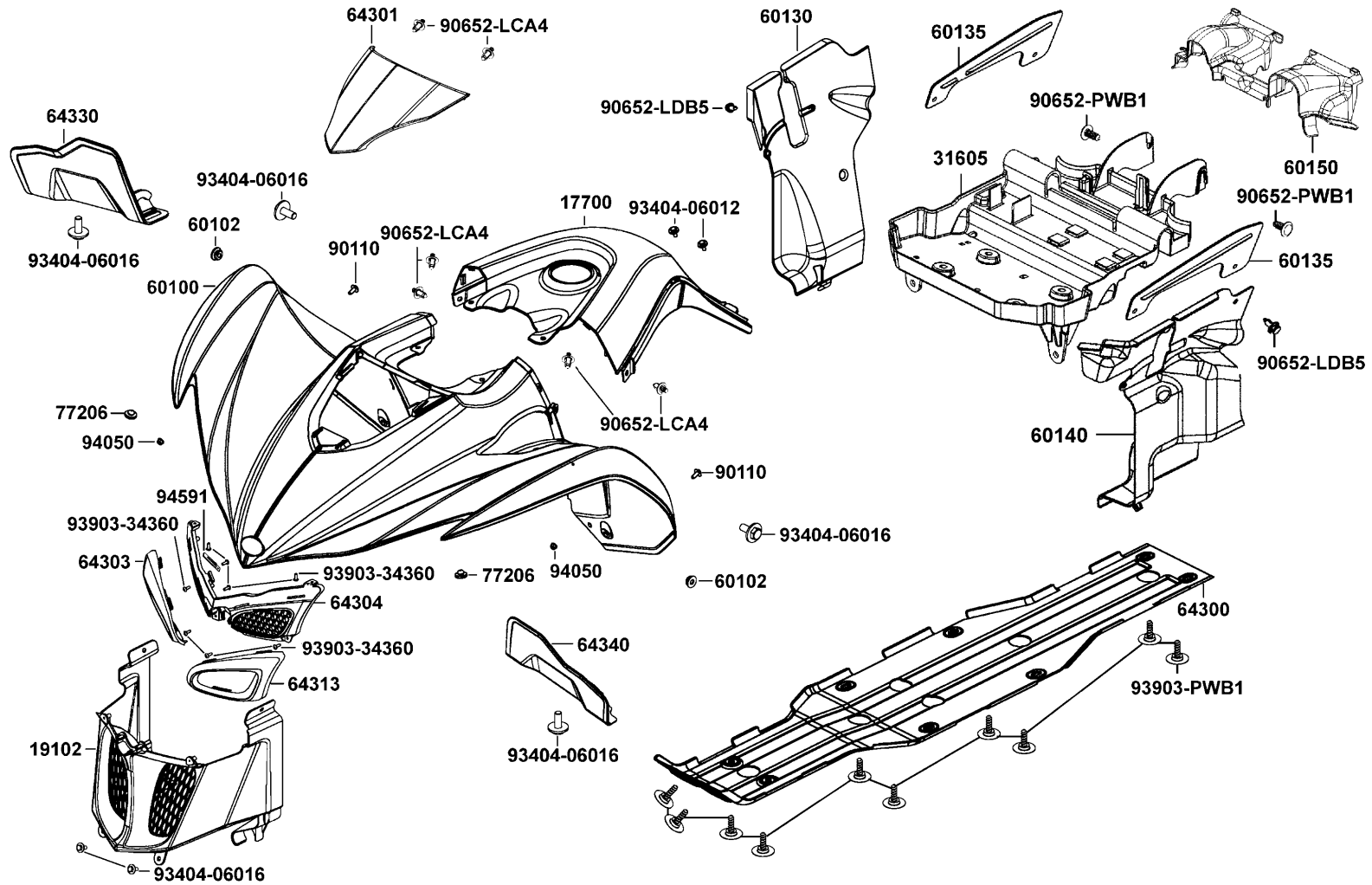
Fender Front



Sales mark	Ref no	Part no	Description	Reg description	Regd no	F05
**	17700	17700-LGN5-E00	COVER TANK	COVER TANK	1	
**	19102	19102-LGC7-E00	DUCT COOLING AIR	DUCT COOLING AIR	1	
**	31605	31605-LGC7-E00	TRAY ELECTRICAL	TRAY ELECTRICAL	1	
**	60100	60100-LGN5-E00	FENDER FRONT	FENDER FRONT	1	
	60102	60102-PWB1-900	GROMMET PANEL-SIDE	GROMMET PANEL-SIDE	2	
**	60130	60130-LGC7-E00	PANEL,SPLASH RIGHT	PANEL,SPLASH RIGHT	1	
**	60135	60135-LGC7-E00	PANEL B SPLASH RIGHT	PANEL B SPLASH RIGHT	2	
**	60140	60140-LGC7-E00	PANEL SPLASH LEFT	PANEL SPLASH LEFT	1	
**	60150	60150-LFA5-E01	COVER WATERPROOF	COVER WATERPROOF	1	
	64300	64300-PWB1-910	PLATE SKID	PLATE SKID	1	
**	64301	64301-LGN5-Y00	COVER FRONT	COVER FRONT	1	
**	64303	64303-LGN5-E00	COVER R GRILLE	COVER R GRILLE	1	
**	64304	64304-LGN5-E01	GRILL FRONT	GRILL FRONT	1	
**	64313	64313-LGN5-E00	COVER L GRILLE	COVER L GRILLE	1	
**	64330	64330-LFE9-E00	GUARD R BOOT	GUARD R BOOT	1	
**	64340	64340-LFE9-E01	GUARD L BOOT	GUARD L BOOT	1	
	77206	77206-PWB1-900	BUMPER,SEAT	BUMPER,SEAT	2	
	90110	90110-PWA2-900	BOLT SPECIAL 6*16	BOLT SPECIAL 6*16	2	
	90652-LCA4	90652-LCA4-E00	CLIP MUDGUARD	CLIP MUDGUARD	6	
	90652-LDB5	90652-LDB5-900	CLIP MUDGUARD	CLIP MUDGUARD	2	

F05

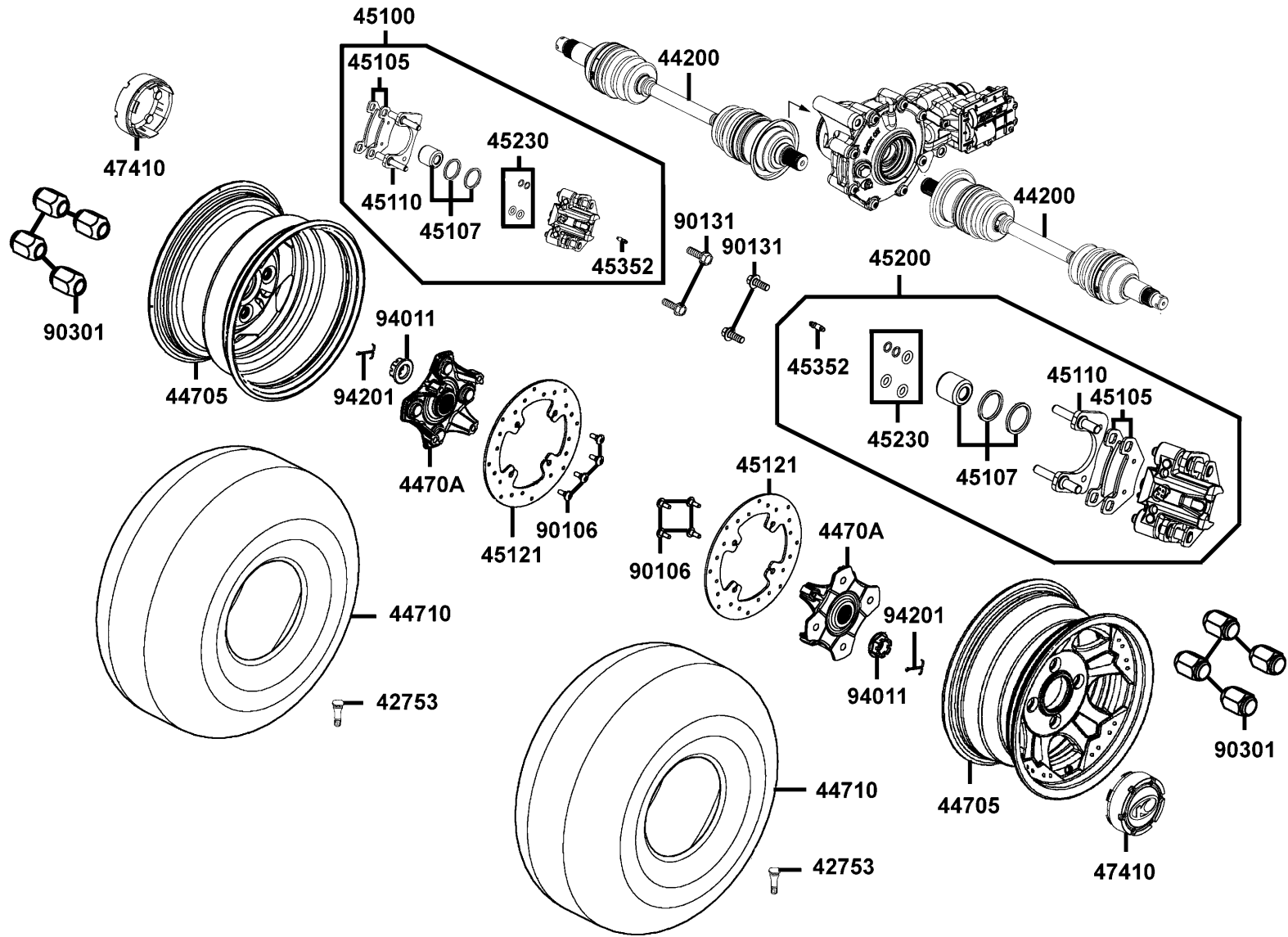
Fender Front



Sales mark	Ref no	Part no	Description	Reg description	Regd no	F05
	90652-PWB1	90652-PWB1-900	X'MAS TREE CLIP	X'MAS TREE CLIP	2	
	93404-06012	93404-06012-06	BOLT WASH 6*12	BOLT WASH 6*12	2	
	93404-06016	93404-06016-06	BOLT WASHER 6*16	BOLT WASHER 6*16	6	
	93903-34360	93903-34360	SCREW TAPPING 4*12	SCREW TAPPING 4*12	8	
	93903-PWB1	93903-PWB1-900	SCREW BODY-SELF TAP #12x3/4 A	SCREW BODY-SELF TAP #12x3/4 A	10	
	94050	94050-PWA2-900	NUT LOCK	NUT LOCK	2	
	94591	94591-27000	CLIP 2*70	CLIP 2*70	1	

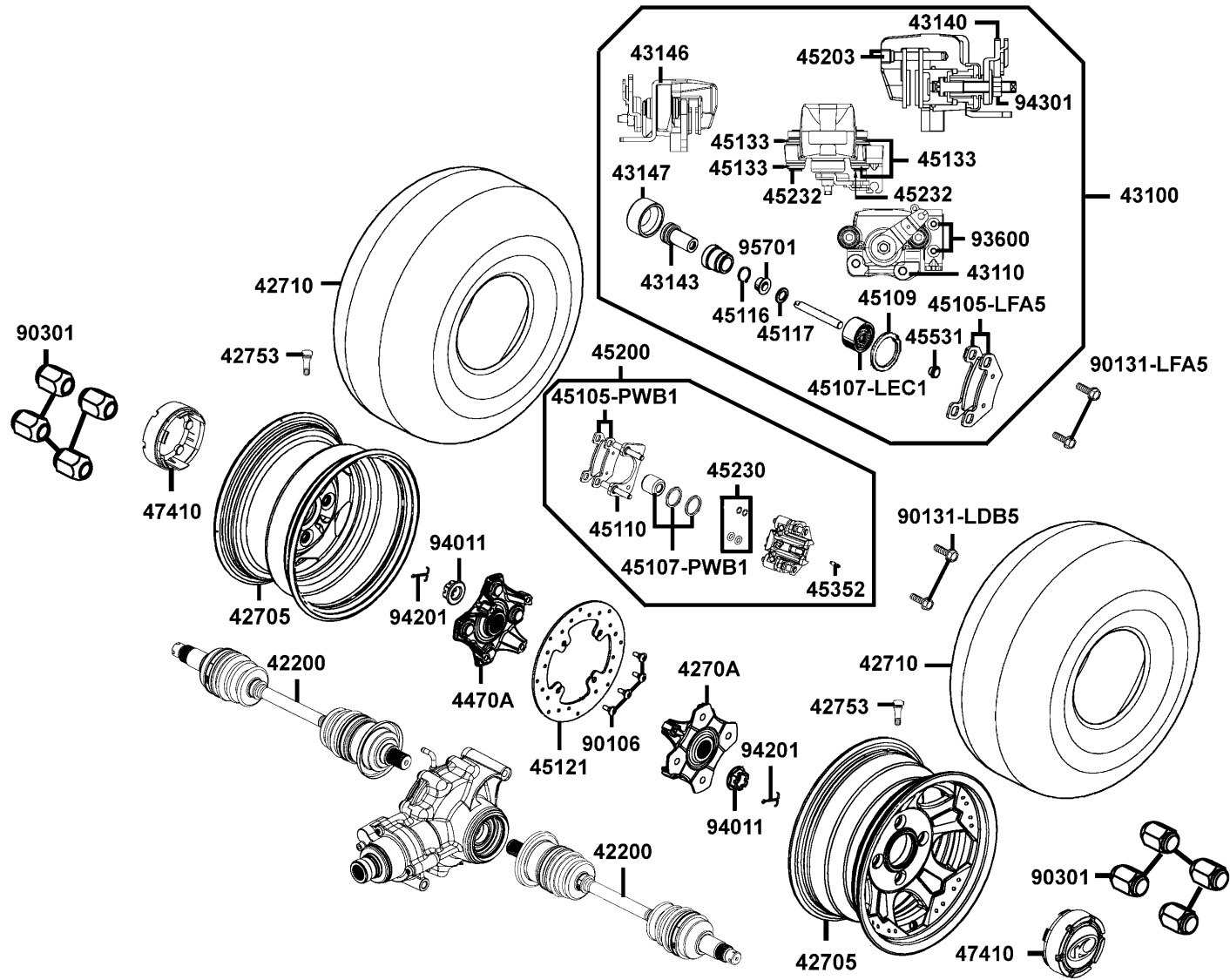
Sales mark	Ref no	Part no	Description	Reg description	Regd no	F06
	47400	47400-PWB1-900	KNUCKLE STEERING ASSEMBLY	KNUCKLE STEERING ASSEMBLY	1	
	47500	47500-PWB1-900	KNUCKLE STEERING ASSEMBLY	KNUCKLE STEERING ASSEMBLY	1	
**	51400	51400-LGN5-E00	CUSHION ASSY FR	CUSHION ASSY FR	2	
	52103	52103-PWB1-900	SLEEVE SUSPENSION	SLEEVE SUSPENSION	2	
	52104	52104-PWB1-900	SLEEVE SUSPENSION	SLEEVE SUSPENSION	4	
	52108	52108-PWB1-900	BUSHING SUSPENSION	BUSHING SUSPENSION	12	
	52144	52144-PWB1-900	SEAL SUSPENSION	SEAL SUSPENSION	12	
	53200	53200-LGC7-E00	POST STEERING	POST STEERING	1	
	53250	53250-PWB1-900	BEARING STEERING-LOW SPEED	BEARING STEERING-LOW SPEED	1	
	53251	53251-LGN5-E00	HOLDER STEM STRG	HOLDER STEM STRG	2	
	53254	53254-LBA7-900	SLEEVE STEM	SLEEVE STEM	1	
	53261	53261-PWB1-900	FLANGE BEARING-TWO MTG HOLE	FLANGE BEARING-TWO MTG HOLE	1	
**	53400	53400-LGN5-E00	A-ARM, FRONT-UPPER-RH-ASSY	A-ARM, FRONT-UPPER-RH-ASSY	1	
	53410	53410-PWB1-900	BALL JOINT ASSY	BALL JOINT ASSY	4	
**	53450	53450-LGN5-E00	A-ARM ASSY FRONT LWR RH/LH	A-ARM ASSY FRONT LWR RH/LH	1	
**	53500	53500-LGN5-E00	A-ARM FRONT-UPPER-LH-ASSY	A-ARM FRONT-UPPER-LH-ASSY	1	
**	53550	53550-LGN5-E00	A-ARM ASSY FRONT LWR RH/LH	A-ARM ASSY FRONT LWR RH/LH	1	
	53700	53700-PWB1-900	TIE ROD -ASSY	TIE ROD -ASSY	2	
	53702	53702-PWB1-900	JOINT R BALL	JOINT R BALL	2	
	53703	53703-PWB1-900	JOINT L BALL	JOINT L BALL	2	

Sales mark	Ref no	Part no	Description	Reg description	Regd no	F06
	90304-GLW0	90304-GLW0-90A	NUT U FLANGE 10MM	NUT U FLANGE 10MM	10	
	90304-PWB1	90304-PWB1-900	NUT TOP LOCK	NUT TOP LOCK	4	
	94001-PWB1-800	94001-PWB1-800	NUT FLANGR 16mm	NUT FLANGR 16mm	2	
	94001-PWB1-900	94001-PWB1-900	NUT FLANGR 16mm	NUT FLANGR 16mm	2	
	94101	94101-PWB1-900	WASHER FLAT	WASHER FLAT	1	
	94201	94201-25200	PIN SPLIT 2.5*20	PIN SPLIT 2.5*20	4	
	94510	94510-PWB1-900	CIRCLIP EX 29	CIRCLIP EX 29	4	
	94520	94520-55000	CIR CLIP IN 55	CIR CLIP IN 55	2	
	95701-08020	95701-08020-06	BOLT FLANGE 8*20	BOLT FLANGE 8*20	2	
	95701-10020	95701-10020-06	BOLT FLANGE 10*20	BOLT FLANGE 10*20	1	
	95801-08060	95801-08060-06	BOLT FLANGE 8*60	BOLT FLANGE 8*60	2	
	95801-10030	95801-10030-06	BOLT FLANGE 10*30(G)	BOLT FLANGE 10*30(G)	4	
	95801-10040	95801-10040-08	BOLT FLANGE 10*40	BOLT FLANGE 10*40	4	
	95801-10085	95801-10085-06	BOLT FLANGE 10*85	BOLT FLANGE 10*85	4	
	95802	95802-PWB1-900	SCREW CAP-HFH M10x1.25	SCREW CAP-HFH M10x1.25	2	
	96151	96151-PWB1-900	BEARING WHEEL	BEARING WHEEL	2	

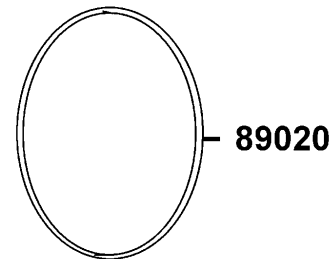
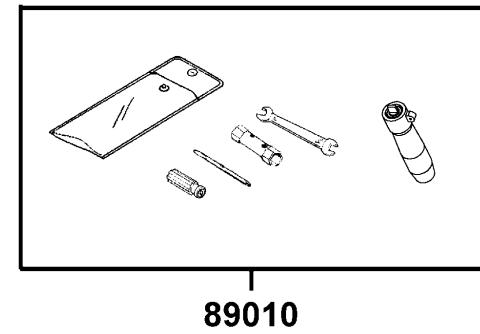
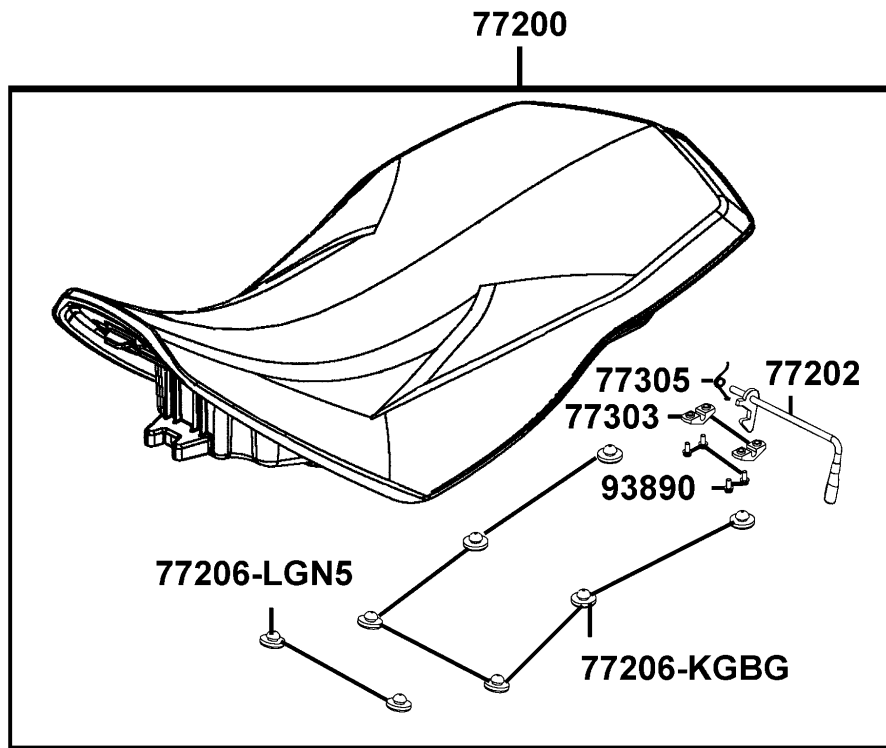


Sales mark	Ref no	Part no	Description	Reg description	Regd no	F07
42753		42753-KNBN-90B	VALAE RIM (TR412)	VALAE RIM (TR412)	2	
44200		44200-LGC3-900	HALFSHAFT FRONT	HALFSHAFT FRONT	2	
44705		44705-LGN5-E00	WHEEL CAST FR	WHEEL CAST FR	2	
4470A		4470A-LFA5-E00	HUB ASSEMBLY	HUB ASSEMBLY	2	
44710		44710-LGN5-E0A	TIRE ASSY FR	TIRE ASSY FR	2	
45100		45100-PWB1-900	CALIPER BRAKE RH	CALIPER BRAKE RH	1	
45105		45105-PWB1-305	BRAKE PADS	BRAKE PADS	2	
45107		45107-PWB1-305	PISTON AND SEALS	PISTON AND SEALS	2	
45110		45110-PWB1-305	MOUNT BRACKET ASSEMBLS	MOUNT BRACKET ASSEMBLS	2	
45121		45121-PWB1-900	DISK BRAKE	DISK BRAKE	2	
45200		45200-PWB1-900	CALIPER BRAKE LH	CALIPER BRAKE LH	1	
45230		45230-PWB1-305	GUIDE O RINGS	GUIDE O RINGS	2	
45352		45352-PWB1-305	BLEEDER	BLEEDER	2	
47410		47410-LGN5-E00	CAP WHEEL CENTER	CAP WHEEL CENTER	2	
90106		90106-PWB1-900	BOLT SHOULDER	BOLT SHOULDER	8	
90131		90131-LDB5-E00	BOLT FLANGE 8*20	BOLT FLANGE 8*20	4	
90301		90301-LGN5-E00	NUT WHEEL	NUT WHEEL	8	
94011		94011-PWB1-900	NUT CASTLE FLANGE M22x1.5	NUT CASTLE FLANGE M22x1.5	2	
94201		94201-30400	PIN SPLIT 3*40	PIN SPLIT 3*40	2	

Sales mark	Ref no	Part no	Description	Reg description	Regd no	F08
	42200	42200-LGC3-900	HALFSHAFT, REAR	HALFSHAFT, REAR	2	
	42705	42705-LGN5-E00	WHEEL CAST RR	WHEEL CAST RR	2	
	4270A	4270A-LFA5-E00	HUB ASSEMBLY	HUB ASSEMBLY	1	
	42710	42710-LGN5-E0A	TIRE ASSY RR	TIRE ASSY RR	2	
	42753	42753-KNBN-90B	VALAE RIM (TR412)	VALAE RIM (TR412)	2	
**	43100	43100-LFA5-E00	CALIPER ASSY REAR	CALIPER ASSY REAR	1	
	43110	43110-LFA5-E00	BRACKET CAILPER	BRACKET CAILPER	1	
	43140	43140-LEC1-E00	ARM BRAKE	ARM BRAKE	1	
	43143	43143-LEC1-E00	BOLT DRIVE	BOLT DRIVE	1	
	43146	43146-LEC1-E00	BRACKET CABLE	BRACKET CABLE	1	
	43147	43147-LEC1-E00	CAP	CAP	1	
	4470A	4470A-LFA5-E00	HUB ASSEMBLY	HUB ASSEMBLY	1	
	45105-LFA5	45105-LFA5-305	PAD ASSY	PAD ASSY	1	
	45105-PWB1	45105-PWB1-305	BRAKE PADS	BRAKE PADS	1	
	45107-LEC1	45107-LEC1-E00	PISTON	PISTON	1	
	45107-PWB1	45107-PWB1-305	PISTON AND SEALS	PISTON AND SEALS	2	
	45109	45109-LEC1-E00	SEAL DUST	SEAL DUST	1	
	45110	45110-PWB1-305	MOUNT BRACKET ASSEMBLS	MOUNT BRACKET ASSEMBLS	1	
	45116	45116-LEC1-E00	CLIP	CLIP	1	
	45117	45117-LEC1-E00	WASHER	WASHER	1	



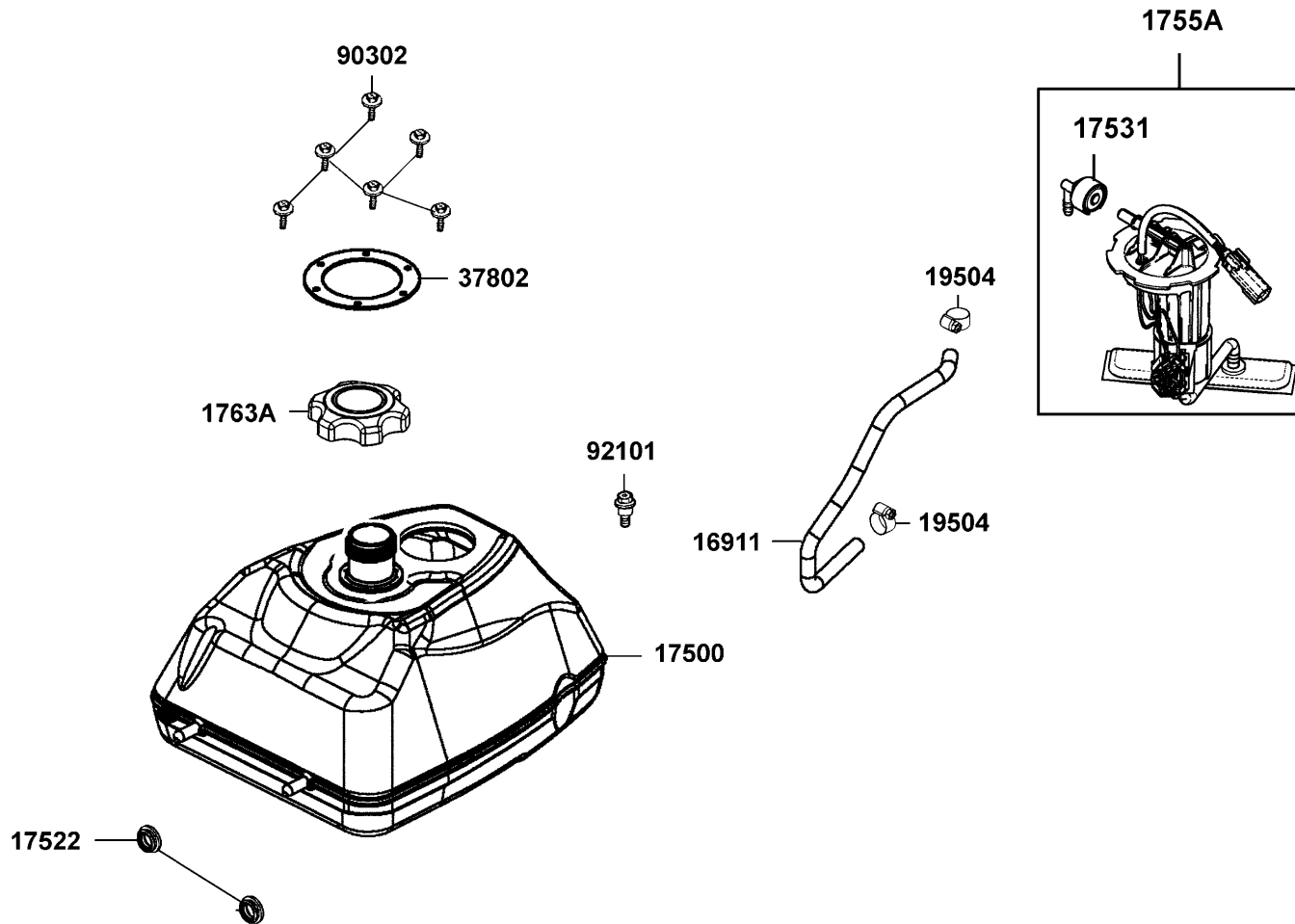
Sales mark	Ref no	Part no	Description	Reg description	Regd no	F08
	45121	45121-PWB1-900	DISK BRAKE	DISK BRAKE	1	
	45133	45133-LEC1-E00	BOOT	BOOT	4	
	45200	45200-PWB1-900	CALIPER BRAKE LH	CALIPER BRAKE LH	1	
	45203	45203-LEC1-E00	PIN HANGER	PIN HANGER	1	
	45230	45230-PWB1-305	GUIDE O RINGS	GUIDE O RINGS	1	
	45232	45232-LEC1-E00	PIN BOLT	PIN BOLT	2	
	45352	45352-PWB1-305	BLEEDER	BLEEDER	1	
	45531	45531-LEC1-E00	PLUG	PLUG	1	
	47410	47410-LGN5-E00	CAP WHEEL CENTER	CAP WHEEL CENTER	2	
	90106	90106-PWB1-900	BOLT SHOULDER	BOLT SHOULDER	4	
	90131-LDB5	90131-LDB5-E00	BOLT FLANGE 8*20	BOLT FLANGE 8*20	4	
	90131-LFA5	90131-LFA5-E00	BOLT FLANGE 8x22(G)	BOLT FLANGE 8x22(G)	2	
	90301	90301-LGN5-E00	NUT WHEEL	NUT WHEEL	8	
	93600	93600-LEC1-E00	SCREW FLAT 6MM	SCREW FLAT 6MM	2	
	94011	94011-PWB1-900	NUT CASTLE FLANGE M22x1.5	NUT CASTLE FLANGE M22x1.5	2	
	94201	94201-30400	PIN SPLIT 3*40	PIN SPLIT 3*40	2	
	94301	94301-08060	NUT HEC 8MM	NUT HEC 8MM	1	
	95701	95701-LEC1-E00	BOLT ADJUST	BOLT ADJUST	1	



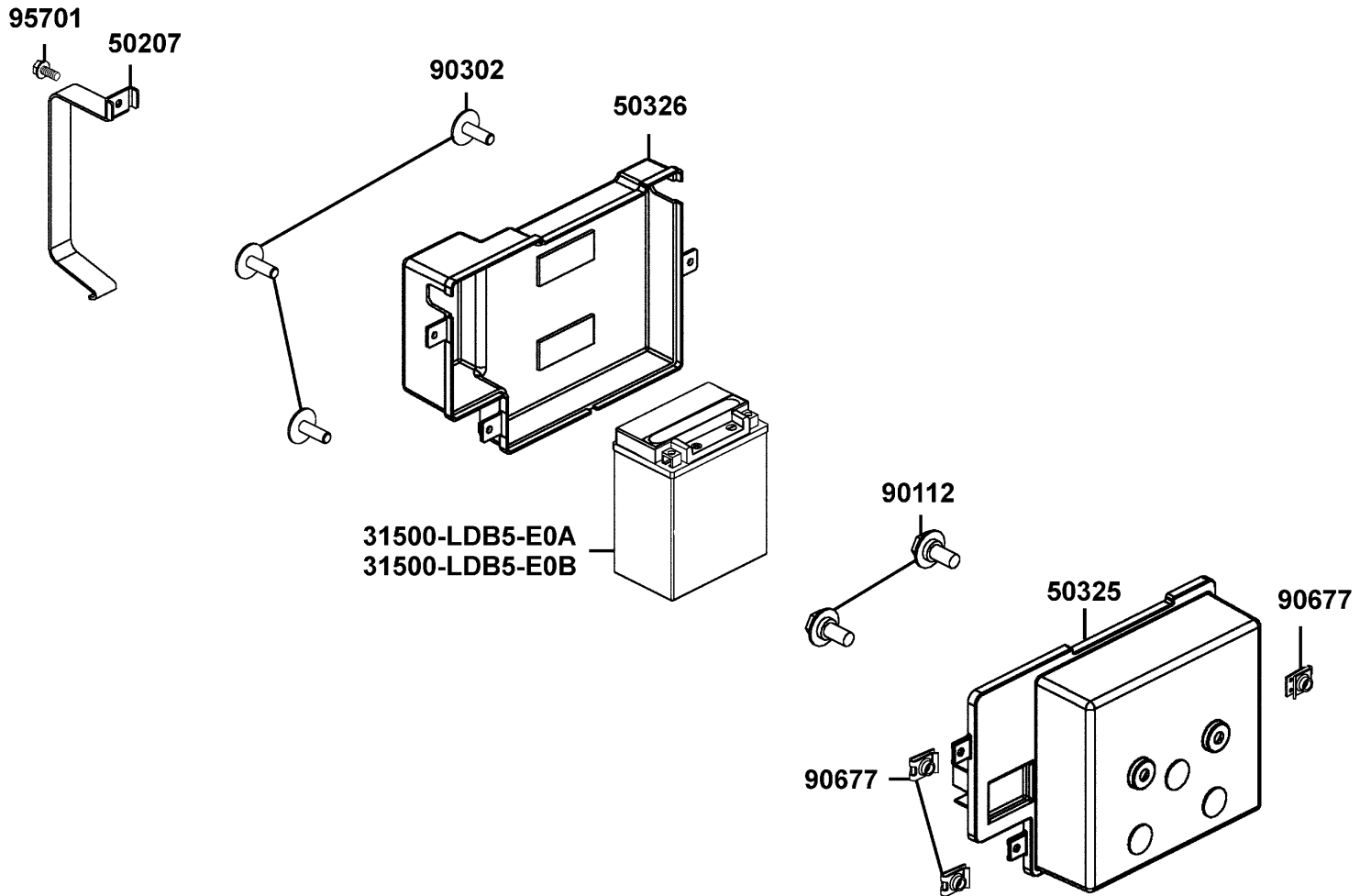
Sales mark	Ref no	Part no	Description	Reg description	Regd no	F09
**	77200	77200-LGN5-E00	SEAT ASSY	SEAT ASSY	1	
	77202	77202-LGN5-E00	LATCH COMP SEAT	LATCH COMP SEAT	1	
	77206-KGBG	77206-KGBG-900	RUBBER SEAT CUSHION	RUBBER SEAT CUSHION	6	
	77206-LGN5	77206-LGN5-E00	BUMPER SEAT	BUMPER SEAT	2	
	77303	77303-KFA6-900	HOLDER HOOK BAR	HOLDER HOOK BAR	2	
	77305	77305-KFA6-900	SPRING HOOK BAR	SPRING HOOK BAR	1	
	89010	89010-LGN5-E00	TOOL SET	TOOL SET	1	
	89020	89020-KKC4-900	BAND TOOL SET	BAND TOOL SET	1	
	93890	93890-LDB5-E00	BOLT M4	BOLT M4	4	

F10

Fuel Tank

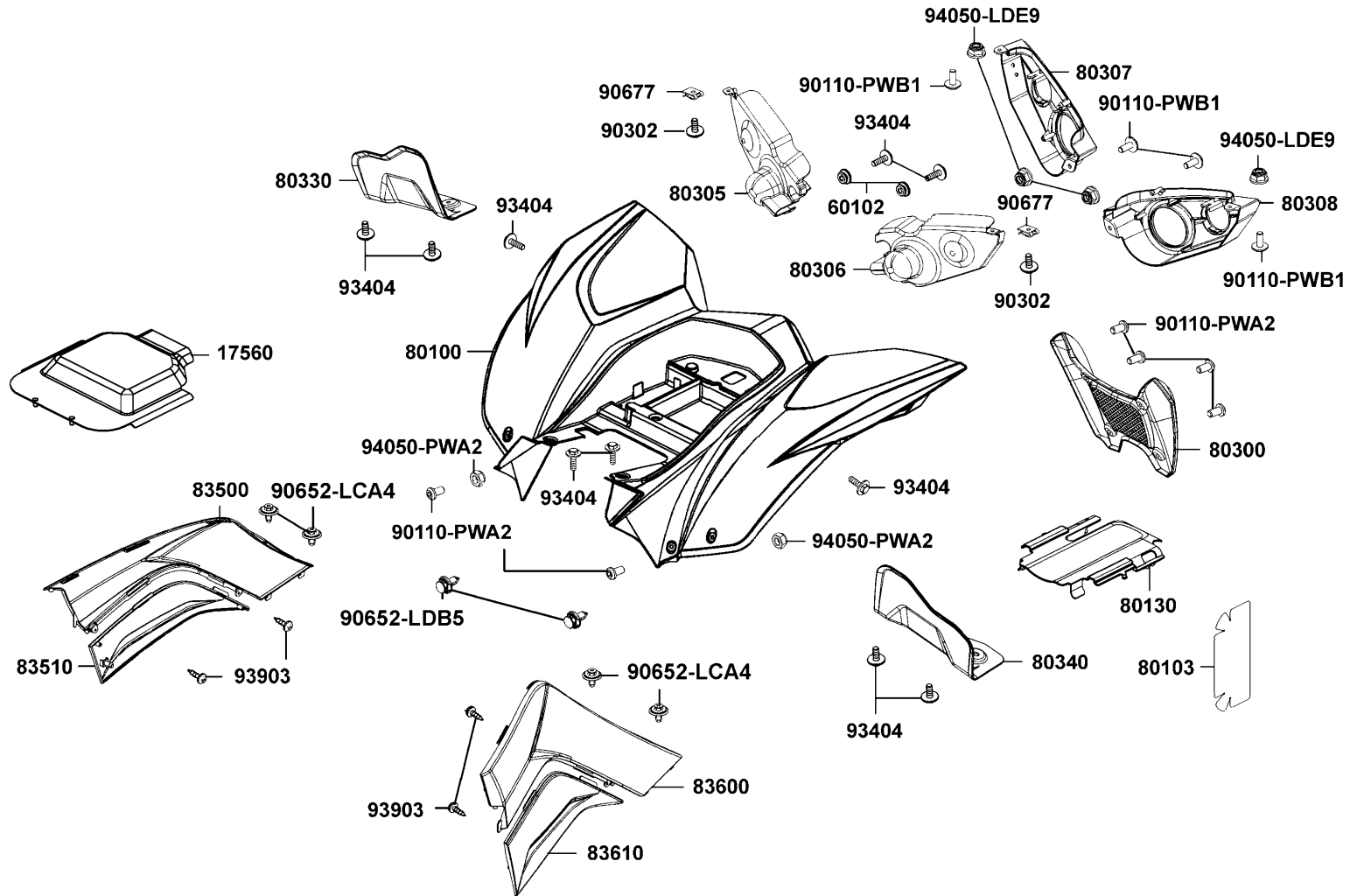


Sales mark	Ref no	Part no	Description	Reg description	Regd no	F10
	16911	16911-LGC7-E00	TUBE ,FUEL INJECTOR	TUBE ,FUEL INJECTOR	1	
	17500	17500-LGC3-E00	TANK COMP FUEL	TANK COMP FUEL	1	
	17522	17522-PWB1-900	GROMMET FUEL TANK	GROMMET FUEL TANK	2	
	17531	17531-LGC7-E00	CONNECTOR FUEL PUMP-90 DEGREE	CONNECTOR FUEL PUMP-90 DEGREE	1	
	1755A	1755A-PTA1-800	FUEL PUMP ASSEMBLY	FUEL PUMP ASSEMBLY	1	
	1763A	1763A-LGN5-MY0	CAP ASSY FUEL TANK	CAP ASSY FUEL TANK	1	
	19504	19504-LBA2-E00	CLAMP D 16.8	CLAMP D 16.8	2	
	37802	37802-LGC3-E00	MOUNT FUEL PUMP	MOUNT FUEL PUMP	1	
	90302	90302-GFY6-940	BOLT-WASH 5*16	BOLT-WASH 5*16	6	
	92101	92101-PWB1-900	SCREW FUEL TANK	SCREW FUEL TANK	1	



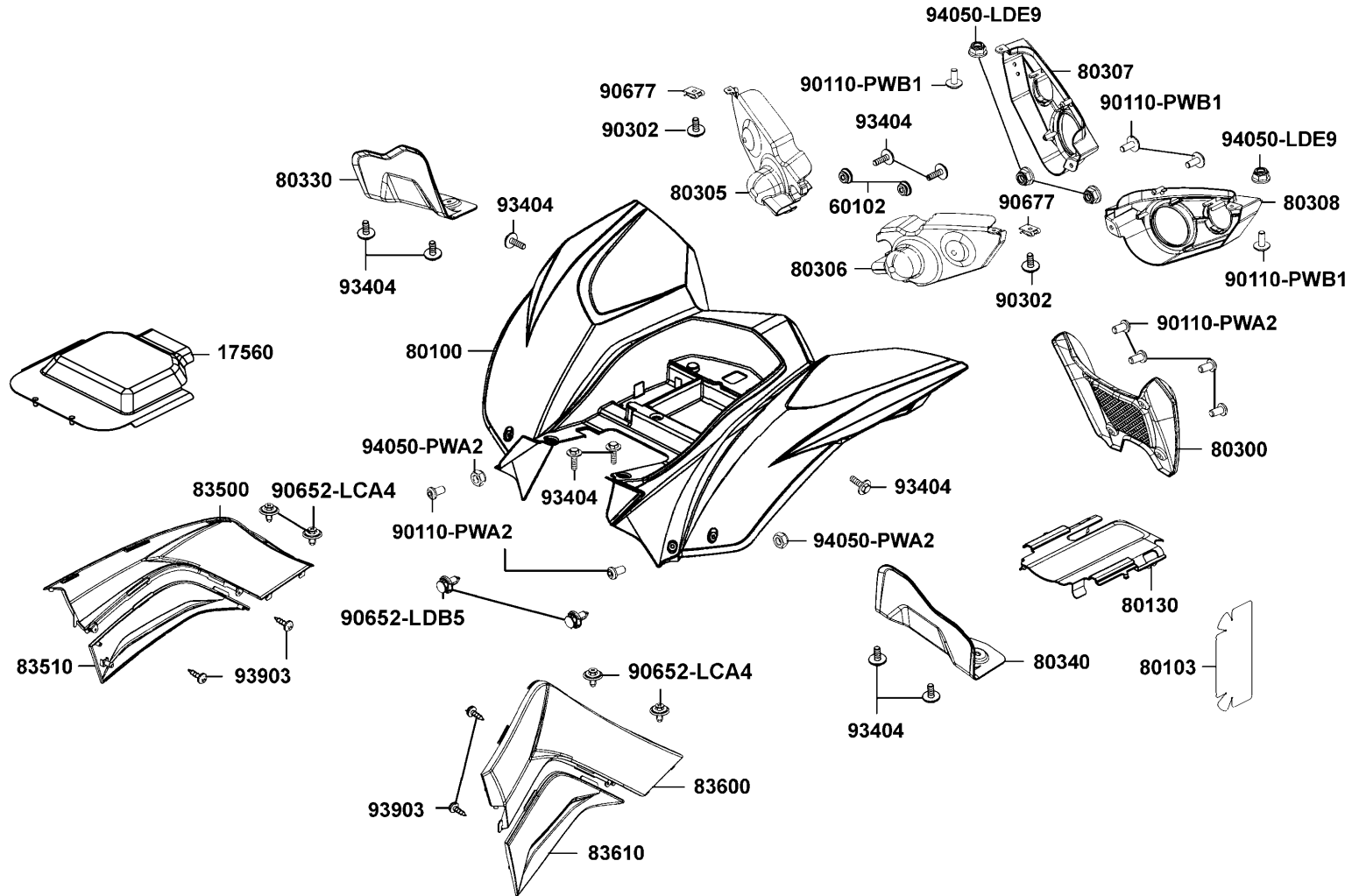
Sales mark	Ref no	Part no	Description	Reg description	Regd no	F11
	31500-LDB5-E0A	31500-LDB5-E0A	BATTERY YTX20L-BS	BATTERY YTX20L-BS	1	
	31500-LDB5-E0B	31500-LDB5-E0B	BATTERY GTX20L-BS	BATTERY GTX20L-BS	1	
	50207	50207-LGC7-E00	STAY BATTERY	STAY BATTERY	1	
**	50325	50325-LGC7-E00	CASE,BATTERY	CASE,BATTERY	1	
**	50326	50326-LGC7-E00	COVER BATTERY	COVER BATTERY	1	
	90112	90112-KNBN-901	BOLT FLANGE 6MM	BOLT FLANGE 6MM	2	
	90302	90302-PWA1-900	BOLT-WASH 5*16	BOLT-WASH 5*16	4	
	90677	90677-GAR1-004	NUT CLIP 5MM	NUT CLIP 5MM	4	
	95701	95701-06012-06	BOLT FLANGE 6*12	BOLT FLANGE 6*12	1	

Fender Rear Mudguard Floor

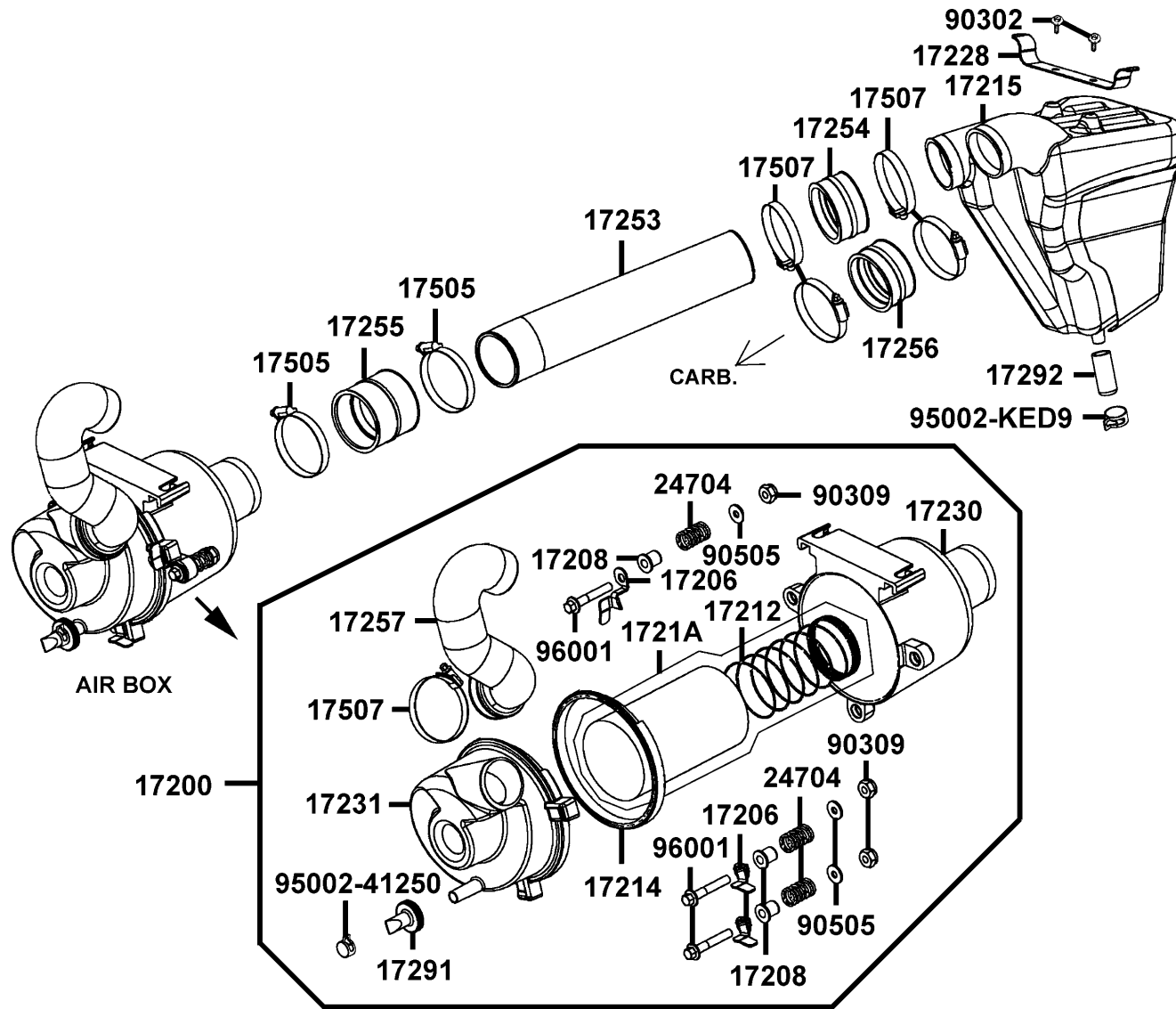


Sales mark	Ref no	Part no	Description	Reg description	Regd no	F12
**	17560	17560-LGC7-E00	SHIELD HEAT	SHIELD HEAT	1	
	60102	60102-PWB1-900	GROMMET PANEL-SIDE	GROMMET PANEL-SIDE	2	
**	80100	80100-LGN5-E00	FENDER REAR	FENDER REAR	1	
	80103	80103-LGC7-E00	SHIELD LH	SHIELD LH	1	
**	80130	80130-PWB1-E00	SHIELD REAR GEARCASE	SHIELD REAR GEARCASE	1	
**	80300	80300-LGN5-E01	COVER GEARBOX	COVER GEARBOX	1	
**	80305	80305-LGN5-900	GUARD COVER R TAIL LIGHT	GUARD COVER R TAIL LIGHT	1	
**	80306	80306-LGN5-900	GUARD COVER L TAIL LIGHT	GUARD COVER L TAIL LIGHT	1	
**	80307	80307-LGC7-E00	COVER R TAIL LIGHT	COVER R TAIL LIGHT	1	
**	80308	80308-LGC7-E00	COVER L TAIL LIGHT	COVER L TAIL LIGHT	1	
**	80330	80330-LGN5-E01	GUARD R RR BOOT	GUARD R RR BOOT	1	
**	80340	80340-LGN5-E01	GUARD L RR BOOT	GUARD L RR BOOT	1	
**	83500	83500-LGN5-E00	COVER A R SIDE	COVER A R SIDE	1	
**	83510	83510-LGN5-Y00	COVER B R SIDE	COVER B R SIDE	1	
**	83600	83600-LGN5-E00	COVER A L SIDE	COVER A L SIDE	1	
**	83610	83610-LGN5-Y00	COVER B L SIDE	COVER B L SIDE	1	
	90110-PWA2	90110-PWA2-900	BOLT SPECIAL 6*16	BOLT SPECIAL 6*16	6	
	90110-PWB1	90110-PWB1-900	SCREW SPECIAL 6X20	SCREW SPECIAL 6X20	4	
	90302	90302-PWA1-900	BOLT-WASH 5*16	BOLT-WASH 5*16	2	
	90652-LCA4	90652-LCA4-E00	CLIP MUDGUARD	CLIP MUDGUARD	4	

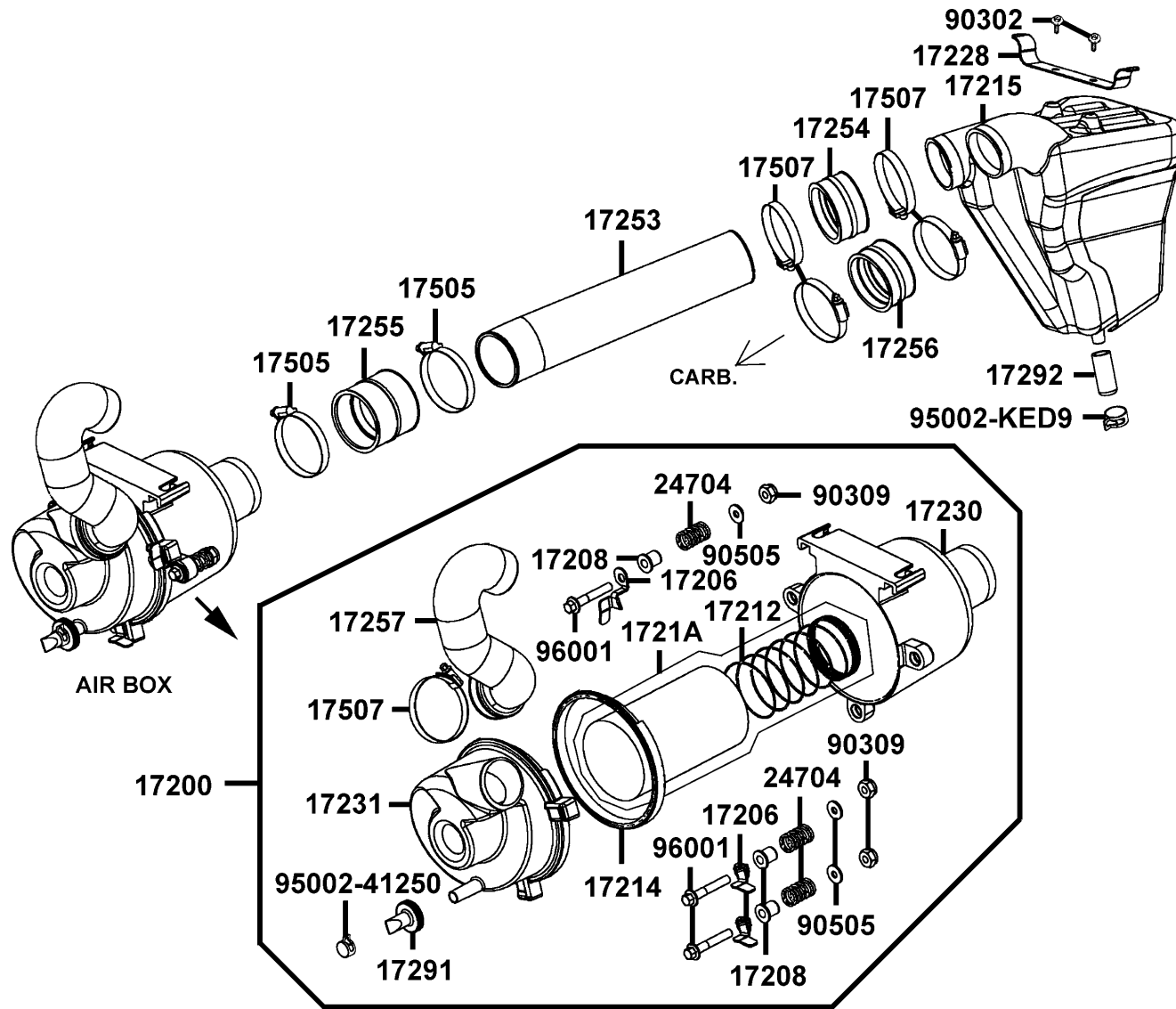
Fender Rear Mudguard Floor



Sales mark	Ref no	Part no	Description	Reg description	Regd no	F12
	90652-LDB5	90652-LDB5-900	CLIP MUDGUARD	CLIP MUDGUARD	2	
	90677	90677-GAR1-004	NUT CLIP 5MM	NUT CLIP 5MM	2	
	93404	93404-06016-06	BOLT WASHER 6*16	BOLT WASHER 6*16	10	
	93903	93903-34360	SCREW TAPPING 4*12	SCREW TAPPING 4*12	4	
	94050-LDE9	94050-LDE9-E00	NUT LOCK	NUT LOCK	4	
	94050-PWA2	94050-PWA2-900	NUT LOCK	NUT LOCK	2	



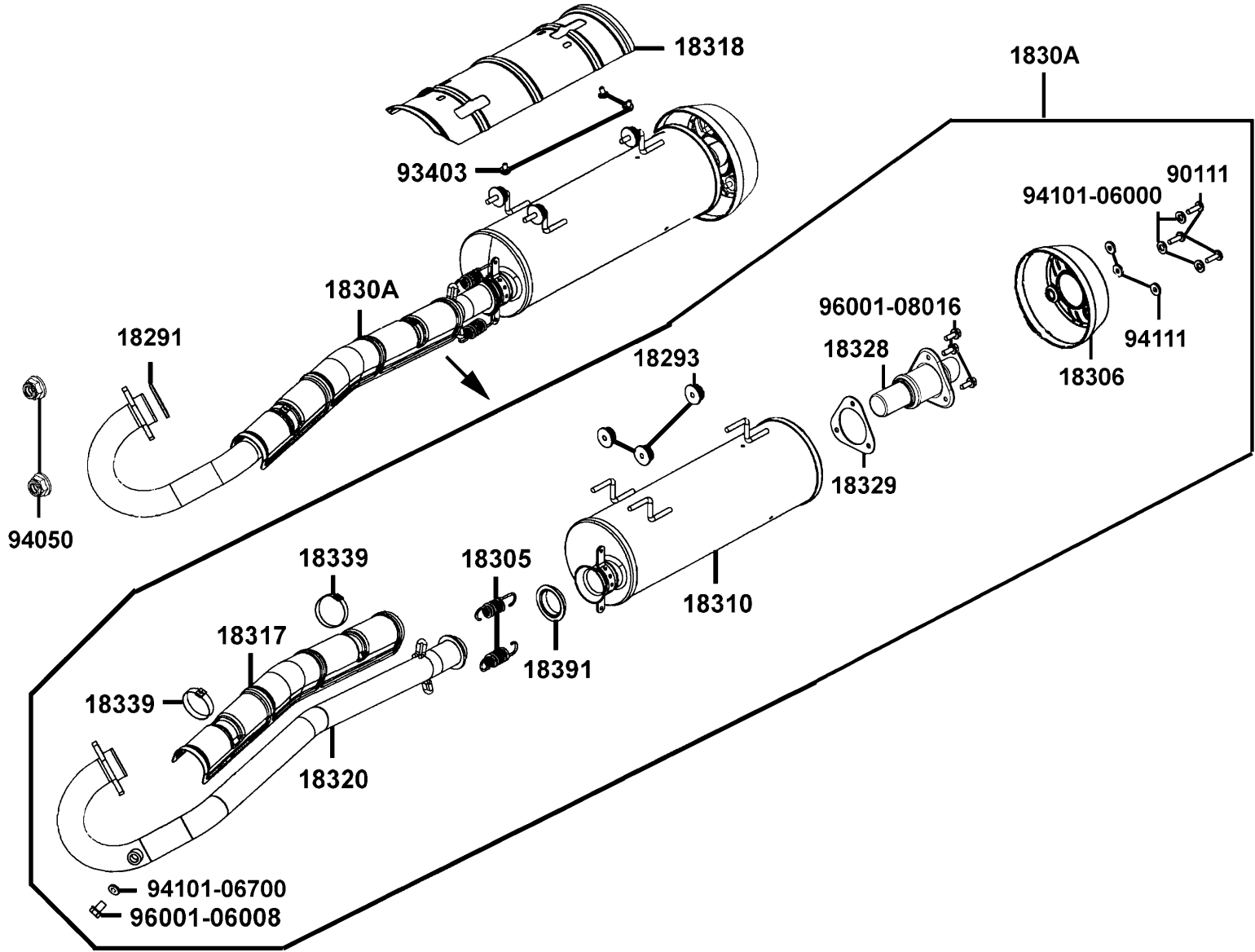
Sales mark	Ref no	Part no	Description	Reg description	Regd no	F13
17200		17200-LFA5-E00	AIR BOX ASSEMBLY	AIR BOX ASSEMBLY	1	
17206		17206-PWB1-900	LATCH AIR BOX	LATCH AIR BOX	3	
17208		17208-PWB1-900	SPACER STEEL	SPACER STEEL	3	
17212		17212-PWB1-900	FILTER SPRING	FILTER SPRING	1	
17214		17214-PWB1-900	GASKET AIR BOX	GASKET AIR BOX	1	
17215		17215-PWB1-900	CHAMBER AIR INTAKE	CHAMBER AIR INTAKE	1	
1721A		1721A-PWB1-900	FILTER AIR-UNI	FILTER AIR-UNI	1	
17228		17228-PWB1-900	BRACKET MOUNT-AIR CHAMBER	BRACKET MOUNT-AIR CHAMBER	1	
17230		17230-PWB1-900	BODY AIR BOX-CYCLONIC	BODY AIR BOX-CYCLONIC	1	
17231		17231-PWB1-900	COVER AIR BOX-CYCLONIC	COVER AIR BOX-CYCLONIC	1	
17253		17253-PWB1-900	BOOT INTAKE-CARB	BOOT INTAKE-CARB	1	
17254		17254-PWB1-900	BOOT AIR IN-CARB-LRG	BOOT AIR IN-CARB-LRG	1	
17255		17255-PWB1-900	BOOT AIR IN CARB SML	BOOT AIR IN CARB SML	1	
17256		17256-LGC3-E01	BOOT CARB-CHAMBER	BOOT CARB-CHAMBER	1	
17257		17257-PWB1-900	BOOT INTAKE-AIR BOX	BOOT INTAKE-AIR BOX	1	
17291		17291-PWB1-900	VALVE AIR CLEANER	VALVE AIR CLEANER	1	
17292		17292-PWB1-900	PIPE DRAIN	PIPE DRAIN	1	
17505		17505-PWB1-900	CLAMP D70	CLAMP D70	2	
17507		17507-PWB1-900	CLAMP D66	CLAMP D66	5	
24704		24704-PWB1-900	SPRING SHIFT	SPRING SHIFT	3	



Sales mark	Ref no	Part no	Description	Reg description	Regd no	F13
	90302	90302-LLB1-E00	BOLT-WASHER 5*12	BOLT-WASHER 5*12	2	
	90309	90309-GLW0-90A	NUT U FLANGE 8MM	NUT U FLANGE 8MM	3	
	90505	90505-4E25-001	WASHER 8MM	WASHER 8MM	3	
	95002-41250	95002-41250-00	CLIP D12.5 TUBE	CLIP D12.5 TUBE	1	
	95002-KED9	95002-KED9-M30	CLAMP D14.8 TUBE	CLAMP D14.8 TUBE	1	
	96001	96001-08050-08	BOLT FLANGE SH 8*50 (C)	BOLT FLANGE SH 8*50 (C)	3	

F14

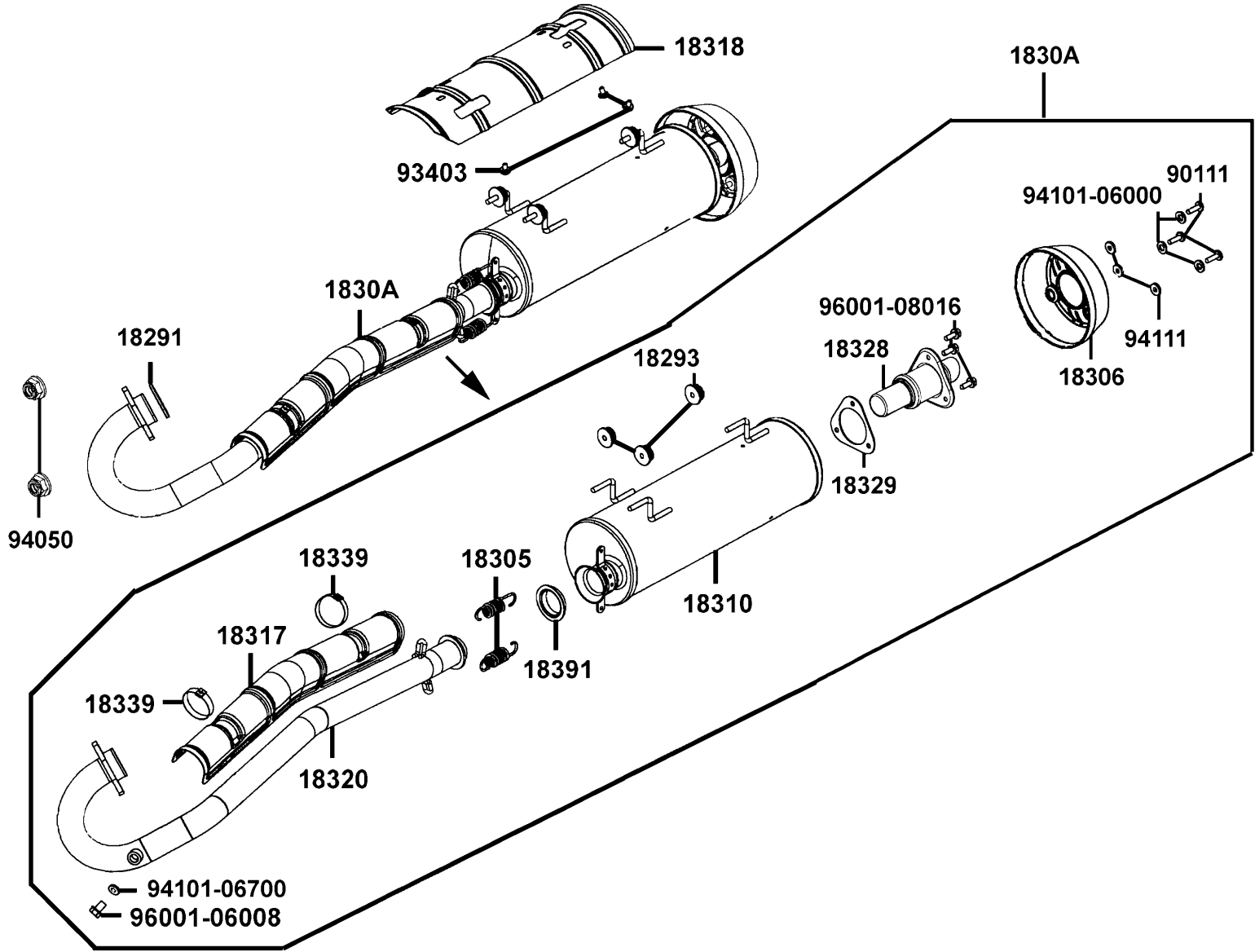
Exhaust Muffler



Sales mark	Ref no	Part no	Description	Reg description	Regd no	F14
	18291	18291-PTA1-900	SEAL EXHAUST PIPE	SEAL EXHAUST PIPE	1	
	18293	18293-PWB1-900	GROMMENT MUFFLER	GROMMENT MUFFLER	3	
	18305	18305-PWB1-900	SPRING EXTENSION	SPRING EXTENSION	2	
**	18306	18306-LGC7-E00	TAIL CAP MUFFLER	TAIL CAP MUFFLER	1	
**	1830A	1830A-LGC7-E00	EXHAUST ASSY	EXHAUST ASSY	1	
	18310	18310-LGC7-E00	MUFFLER BODY-WELDMENT	MUFFLER BODY-WELDMENT	1	
	18317	18317-PTA1-900	SHIELD EXHAUST PIPE	SHIELD EXHAUST PIPE	1	
	18318	18318-PWB1-900	COVER MUFFLER	COVER MUFFLER	1	
	18320	18320-PTA1-900	PIPI COMP EXHAUST-BLACK	PIPI COMP EXHAUST-BLACK	1	
	18328	18328-LFA5-910	SPARK ARRESTER WELDMENT	SPARK ARRESTER WELDMENT	1	
	18329	18329-PWB1-700	GASKET,SPARK ARRESTER	GASKET,SPARK ARRESTER	1	
	18339	18339-PWB1-900	BAND EXHAUST PIPE SHIELD	BAND EXHAUST PIPE SHIELD	2	
	18391	18391-PTA1-900	GASKET EXH TAILPIPE	GASKET EXH TAILPIPE	1	
	90111	90111-KED9-900	SCREW PAN 6*14	SCREW PAN 6*14	3	
	93403	93403-PWB1-900	BOLT-WASHER 6X12	BOLT-WASHER 6X12	3	
	94050	94050-08080	NUT FLANGE 8MM	NUT FLANGE 8MM	2	
	94101-06000	94101-06000	WASHER PLAIN 6MM	WASHER PLAIN 6MM	3	
	94101-06700	94101-06700	WASHER PLAIN 6MM	WASHER PLAIN 6MM	1	
	94111	94111-06800	WASHER SPG 6MM	WASHER SPG 6MM	3	
	96001-06008	96001-06008-07	BOLT FLANGE SH 6*8	BOLT FLANGE SH 6*8	1	

F14

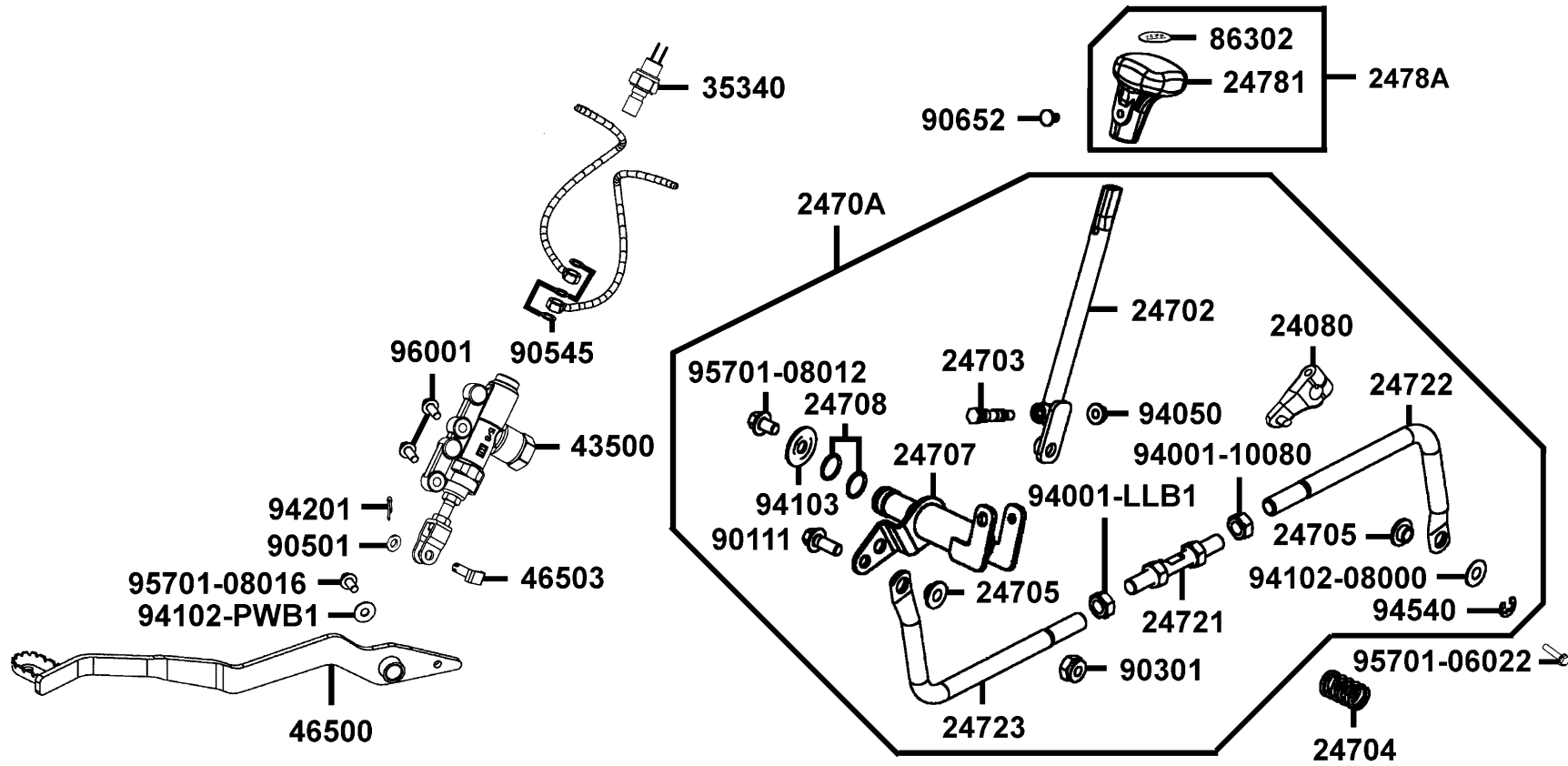
Exhaust Muffler



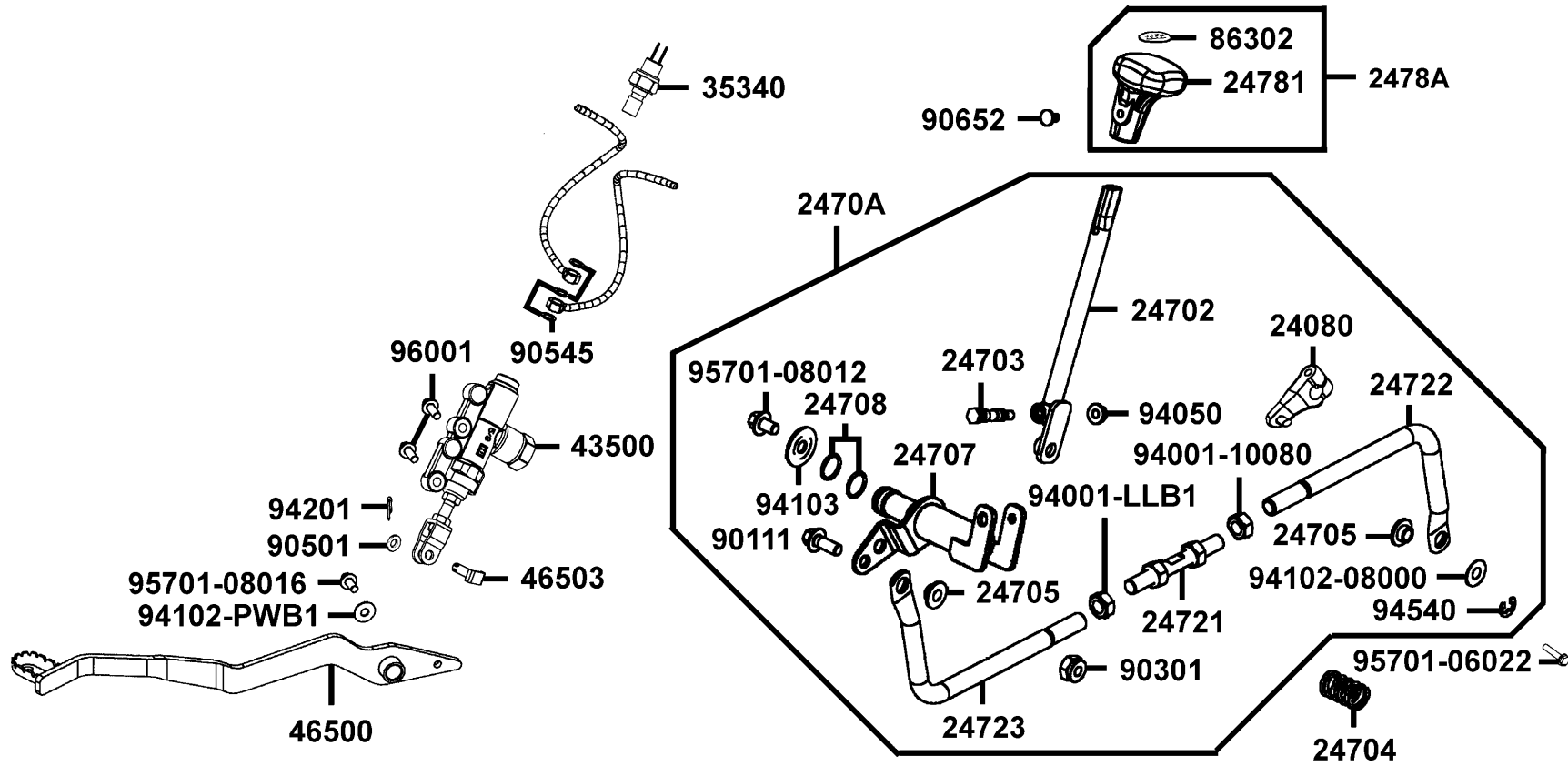
Sales mark	Ref no	Part no	Description	Reg description	Regd no	F14
------------	--------	---------	-------------	-----------------	---------	------------

	96001-08016	96001-08016-08	BOLT FLANGE SH 8*16 (C)	BOLT FLANGE SH 8*16 (C)	3	
--	-------------	----------------	-------------------------	-------------------------	---	--

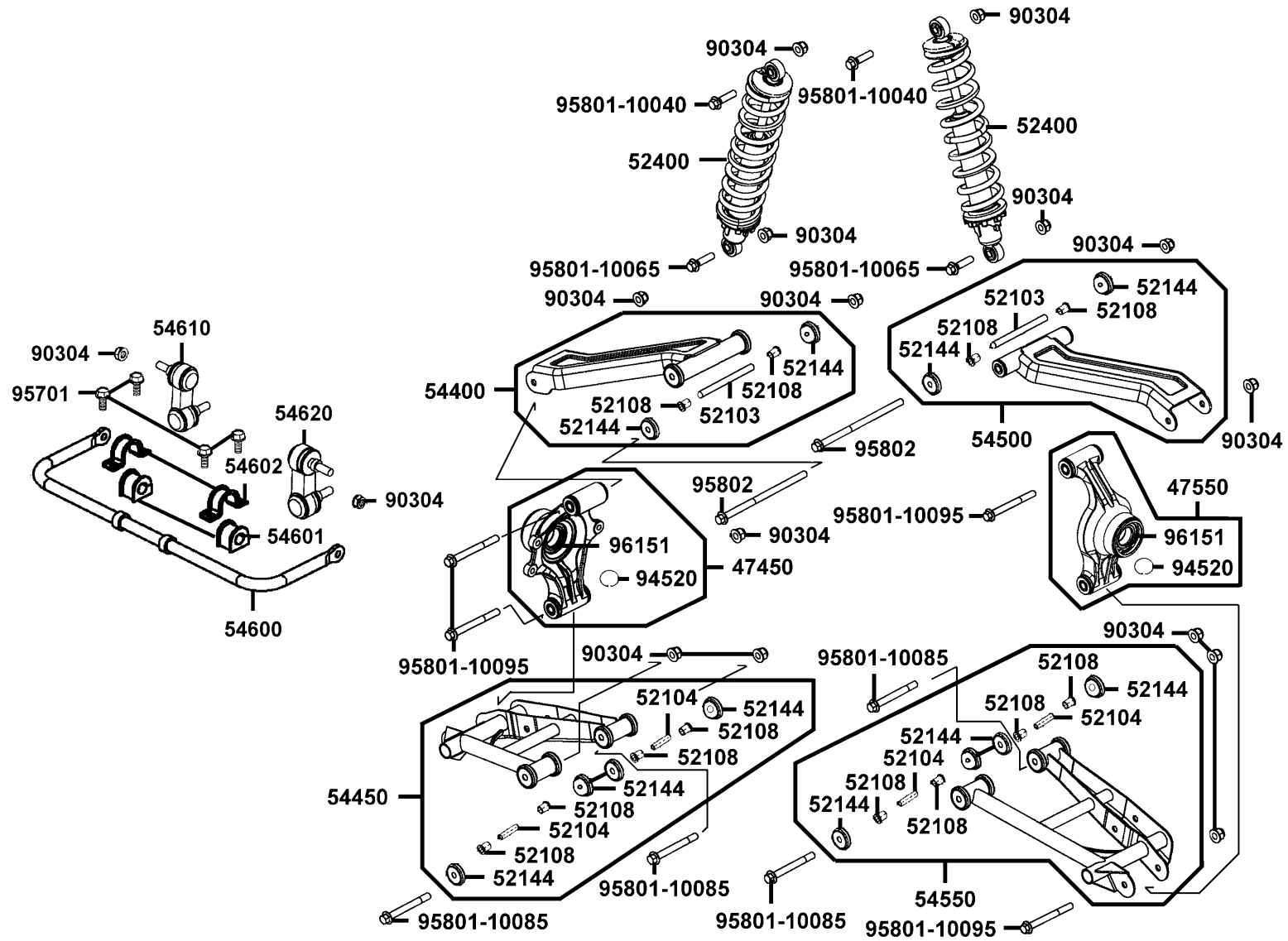
Fwd / Rev Shift Assy Master Cylinder Rear



Sales mark	Ref no	Part no	Description	Reg description	Regd no	F15
	24080	24080-PWB1-900	ARM GEAR SELECT ASSY	ARM GEAR SELECT ASSY	1	
	24702	24702-LGN5-E00	LEVER SHIFT-WELDMENT	LEVER SHIFT-WELDMENT	1	
	24703	24703-PWB1-900	AXLE PIVOT	AXLE PIVOT	1	
	24704	24704-PWB1-900	SPRING SHIFT	SPRING SHIFT	1	
	24705	24705-PWB1-900	BUSHING SHIFT	BUSHING SHIFT	2	
	24707	24707-PWB1-900	AXLE WELDMENT	AXLE WELDMENT	1	
	24708	24708-PWB1-900	O RING 016	O RING 016	2	
	2470A	2470A-LGN5-E00	FWD / REV SHIFT ASSY	FWD / REV SHIFT ASSY	1	
	24721	24721-PWB1-900	ADJUSTER SHIFT LINKAGE	ADJUSTER SHIFT LINKAGE	1	
	24722	24722-PWB1-900	ROD SHIFTER ADJUSTABLE RH	ROD SHIFTER ADJUSTABLE RH	1	
	24723	24723-PWB1-900	ROD SHIFTER ADJUSTABLE LH	ROD SHIFTER ADJUSTABLE LH	1	
	24781	24781-LFA5-E00	KNOB SHIFTER	KNOB SHIFTER	1	
	2478A	2478A-LFA5-E00	SHIFTER KNOB ASSY	SHIFTER KNOB ASSY	1	
	35340	35340-PWB1-E00	SWITCH BRAKE PRESSURE-DOUBLE	SWITCH BRAKE PRESSURE-DOUBLE BANJO	1	
	43500	43500-LFA5-E00	CYLINDER MASTER 350 EURO	CYLINDER MASTER 350 EURO	1	
**	46500	46500-LGN5-E00	LEVER COMP BRAKE	LEVER COMP BRAKE	1	
	46503	46503-LFA5-E00	PIN CLEVIS	PIN CLEVIS	1	
**	86302	86302-LFA5-E00	EMB GEAR REVERAL CHANGE	EMB GEAR REVERAL CHANGE	1	
	90111	90111-PWB1-900	BOLT FLANGE 6MM	BOLT FLANGE 6MM	1	
	90301	90301-6D34-671	NUT FLANGE 6MM	NUT FLANGE 6MM	1	



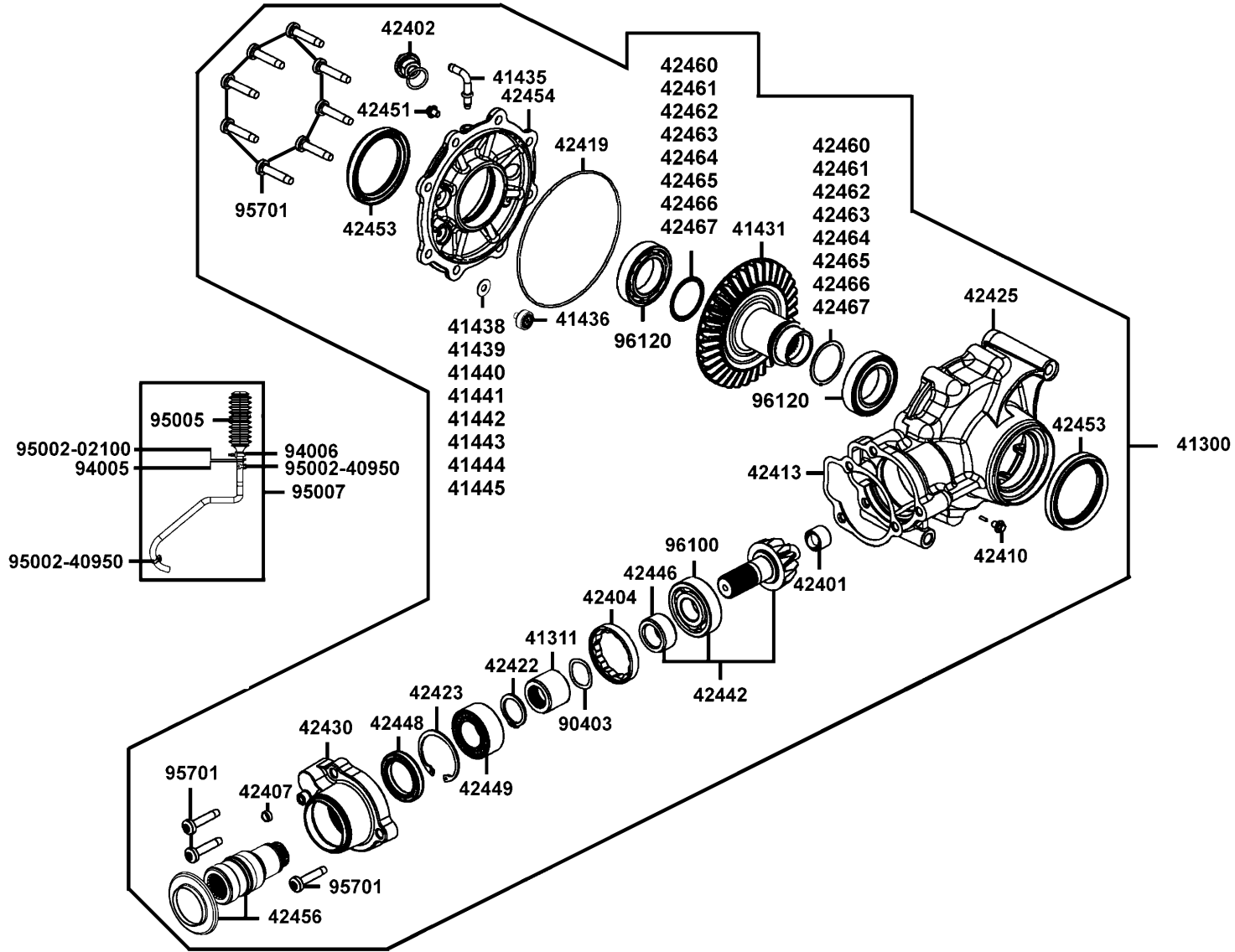
Sales mark	Ref no	Part no	Description	Reg description	Regd no	F15
	90501	90501-3L10-001	WASHER 7*12	WASHER 7*12	1	
	90545	90545-3L00-001	WASHER OIL BOLT	WASHER OIL BOLT	3	
	90652	90652-PWB1-900	X'MAS TREE CLIP	X'MAS TREE CLIP	1	
	94001-10080	94001-10080-0S	NUT CASTLE 10MM	NUT CASTLE 10MM	1	
	94001-LLB1	94001-LLB1-900	NUT HEX 6 MM	NUT HEX 6 MM	1	
	94050	94050-06060	NUT FLANGE 6MM	NUT FLANGE 6MM	1	
	94102-08000	94102-08000	WASHER PLAIN 8MM	WASHER PLAIN 8MM	1	
	94102-PWB1	94102-PWB1-900	WASHER FLAT	WASHER FLAT	1	
	94103	94103-08800	WASHER PLAIN 8MM	WASHER PLAIN 8MM	1	
	94201	94201-20120	PIN SPLIT 2*12	PIN SPLIT 2*12	1	
	94540	94540-06012	E RING	E RING	1	
	95701-06022	95701-06022-06	BOLT FLANGE 6*22	BOLT FLANGE 6*22	1	
	95701-08012	95701-08012-06	BOLT FLANGE 8*12	BOLT FLANGE 8*12	1	
	95701-08016	95701-08016-08	BOLT FLANGE 8*16	BOLT FLANGE 8*16	1	
	96001	96001-06020-08	BOLT FLANGE SH 6*20	BOLT FLANGE SH 6*20	2	



Sales mark	Ref no	Part no	Description	Reg description	Regd no	F16
	47450	47450-PWB1-900	KNUCKLE REAR ASSEMBLY RH	KNUCKLE REAR ASSEMBLY RH	1	
	47550	47550-PWB1-900	KNUCKLE REAR ASSEMBLY LH	KNUCKLE REAR ASSEMBLY LH	1	
	52103	52103-PWB1-900	SLEEVE SUSPENSION	SLEEVE SUSPENSION	2	
	52104	52104-PWB1-900	SLEEVE SUSPENSION	SLEEVE SUSPENSION	4	
	52108	52108-PWB1-900	BUSHING SUSPENSION	BUSHING SUSPENSION	12	
	52144	52144-PWB1-900	SEAL SUSPENSION	SEAL SUSPENSION	10	
**	52400	52400-LGN5-E00	CUSHION ASSY RR	CUSHION ASSY RR	2	
**	54400	54400-PWB1-E00	CONTROL ARM RH/LH UPPER ASSY	CONTROL ARM RH/LH UPPER ASSY	1	
**	54450	54450-LGN5-E00	A-ARM RH/LH LWR ASSY	A-ARM RH/LH LWR ASSY	1	
**	54500	54500-PWB1-E00	CONTROL ARM RH/LH UPPER ASSY	CONTROL ARM RH/LH UPPER ASSY	1	
**	54550	54550-LGN5-E00	A-ARM RH/LH LWR ASSY	A-ARM RH/LH LWR ASSY	1	
	54600	54600-LGN5-E00	BAR, STABILIZER	BAR, STABILIZER	2	
	54601	54601-LFE9-E00	BUSH STABILIZER	BUSH STABILIZER	2	
	54602	54602-LFE9-E00	HOLDER STABILIZER	HOLDER STABILIZER	2	
	54610	54610-LFE9-E00	JOINT STABILIZER RH	JOINT STABILIZER RH	1	
	54620	54620-LFE9-E00	STABILIZER JOINT LH	STABILIZER JOINT LH	1	
	90304	90304-GLW0-90A	NUT U FLANGE 10MM	NUT U FLANGE 10MM	16	
	94520	94520-55000	CIR CLIP IN 55	CIR CLIP IN 55	2	
	95701	95701-08016-06	BOLT FLANGE 8*16	BOLT FLANGE 8*16	4	
	95801-10040	95801-10040-08	BOLT FLANGE 10*40	BOLT FLANGE 10*40	2	

Sales mark	Ref no	Part no	Description	Reg description	Regd no	F16
	95801-10065	95801-10065-08	BOLT FLANGE 10X65(C)	BOLT FLANGE 10X65(C)	2	
	95801-10085	95801-10085-06	BOLT FLANGE 10*85	BOLT FLANGE 10*85	4	
	95801-10095	95801-10095-06	BOLT FLANGE 10*95	BOLT FLANGE 10*95	4	
	95802	95802-PWB1-900	SCREW CAP-HFH M10x1.25	SCREW CAP-HFH M10x1.25	2	
	96151	96151-PWB1-900	BEARING WHEEL	BEARING WHEEL	2	

Control Arm Assy

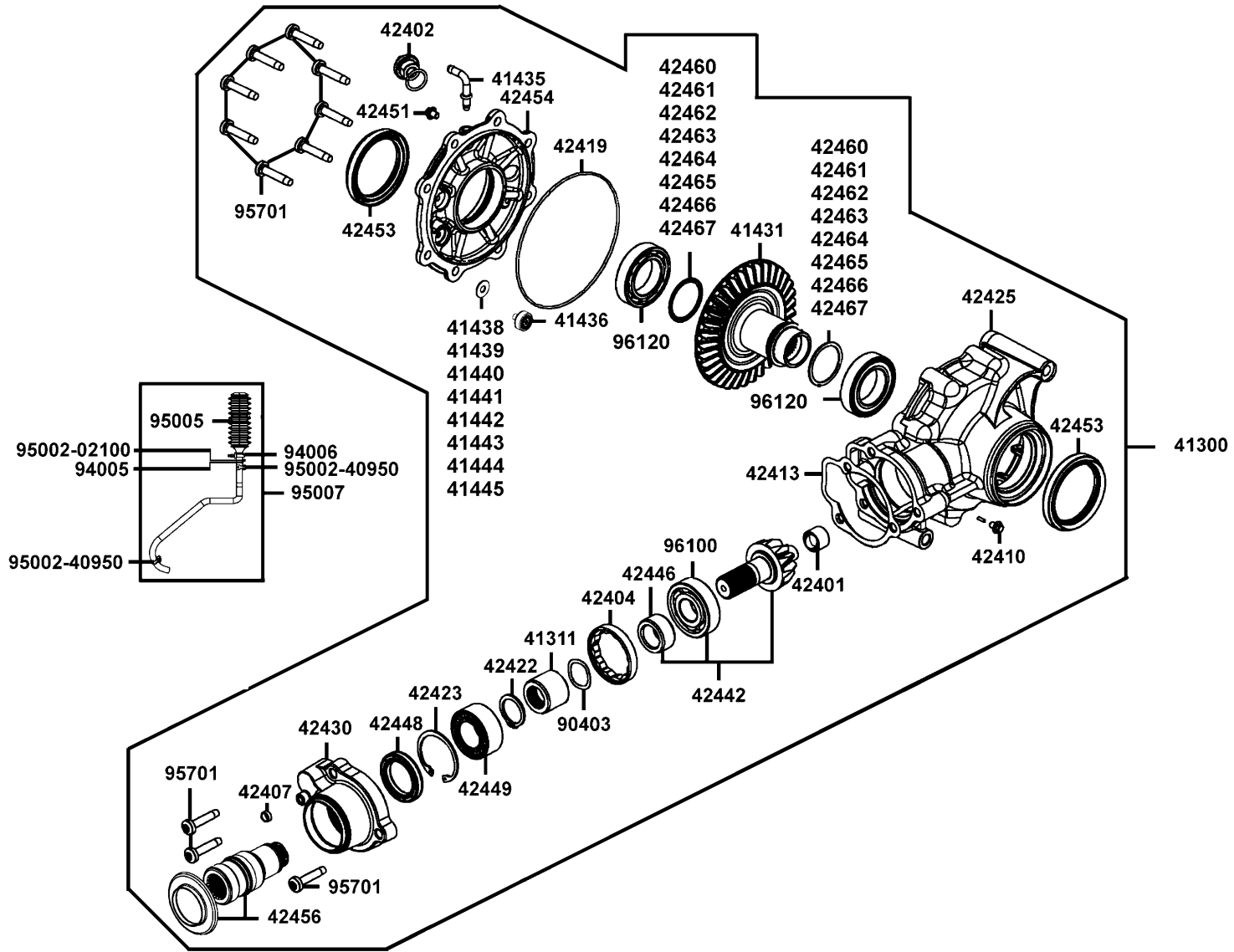


Sales mark	Ref no	Part no	Description	Reg description	Regd no	F17
41300		41300-LGC3-900	GEARCASE REAR ASSEMBLY	GEARCASE REAR ASSEMBLY	1	
41311		41311-LFA5-900	COLLAR SHAFT SPLINED	COLLAR SHAFT SPLINED	1	
41431		41431-LFA5-900	GEAR REAR	GEAR REAR	1	
41435		41435-LFA5-900	BARB 90 DEG	BARB 90 DEG	1	
41436		41436-LFA5-900	BUTTON THRUST	BUTTON THRUST	1	
41438		41438-LFA5-900	SHIM 6.3*18*1.0	SHIM 6.3*18*1.0	1	
41439		41439-LFA5-900	SHIM 6.3*18*1.1	SHIM 6.3*18*1.1	1	
41440		41440-LFA5-900	SHIM 6.3*18*1.2	SHIM 6.3*18*1.2	1	
41441		41441-LFA5-900	SHIM 6.3*18*1.3	SHIM 6.3*18*1.3	1	
41442		41442-LFA5-900	SHIM 6.3*18*1.4	SHIM 6.3*18*1.4	1	
41443		41443-LFA5-900	SHIM 6.3*18*1.5	SHIM 6.3*18*1.5	1	
41444		41444-LFA5-900	SHIM 6.3*18*1.6	SHIM 6.3*18*1.6	1	
41445		41445-LFA5-900	SHIM 6.3*18*1.7	SHIM 6.3*18*1.7	1	
42401		42401-LFA5-900	BEARING NEEDLE	BEARING NEEDLE	1	
42402		42402-LFA5-900	PLUG FILL	PLUG FILL	1	
42404		42404-LFA5-910	COLLAR LOCK M64*1.5LH	COLLAR LOCK M64*1.5LH	1	
42407		42407-LFA5-900	PIN DOWEL	PIN DOWEL	1	
42410		42410-LFA5-900	PLUG DRAIN MAG	PLUG DRAIN MAG	1	
42413		42413-LFA5-900	GASKET FLANGE	GASKET FLANGE	1	
42419		42419-LFA5-900	O-RING 150*2MM	O-RING 150*2MM	1	

Sales mark	Ref no	Part no	Description	Reg description	Regd no	F17
42422		42422-LFA5-900	RING RETAINING	RING RETAINING	1	
42423		42423-LFA5-900	RING RETAINING	RING RETAINING	1	
42425		42425-LFA5-910	HOUSING GEARCASE-RR MACH	HOUSING GEARCASE-RR MACH	1	
42430		42430-LFA5-910	HOUSING PINION-MACH	HOUSING PINION-MACH	1	
42442		42442-LFA5-900	PINION(11 TOOTH)-ASSEMBLY	PINION(11 TOOTH)-ASSEMBLY	1	
42446		42446-LFA5-900	COLLAR RETAINING	COLLAR RETAINING	1	
42448		42448-LFA5-900	SEAL 38*55*14	SEAL 38*55*14	1	
42449		42449-LFA5-900	BEARING BALL DOUBLE ROW	BEARING BALL DOUBLE ROW	1	
42451		42451-LFA5-900	PLUG OIL LEVEL	PLUG OIL LEVEL	1	
42453		42453-LGC3-900	OIL SEAL 48*84*9	OIL SEAL 48*84*9	1	
42454		42454-LFA5-910	COVER GEARCASE-RR MACH	COVER GEARCASE-RR MACH	1	
42456		42456-LFA5-900	SHAFT INPUT ASSEMBLY	SHAFT INPUT ASSEMBLY	1	
42460		42460-LFA5-900	SHIM 41*49*1.0	SHIM 41*49*1.0	2	
42461		42461-LFA5-900	SHIM 41*49*1.1	SHIM 41*49*1.1	2	
42462		42462-LFA5-900	SHIM 41*49*1.2	SHIM 41*49*1.2	2	
42463		42463-LFA5-900	SHIM 41*49*1.3	SHIM 41*49*1.3	2	
42464		42464-LFA5-900	SHIM 41*49*1.4	SHIM 41*49*1.4	2	
42465		42465-LFA5-900	SHIM 41*49*1.5	SHIM 41*49*1.5	2	
42466		42466-LFA5-900	SHIM 41*49*1.6	SHIM 41*49*1.6	2	
42467		42467-LFA5-900	SHIM 41*49*1.7	SHIM 41*49*1.7	2	

F17

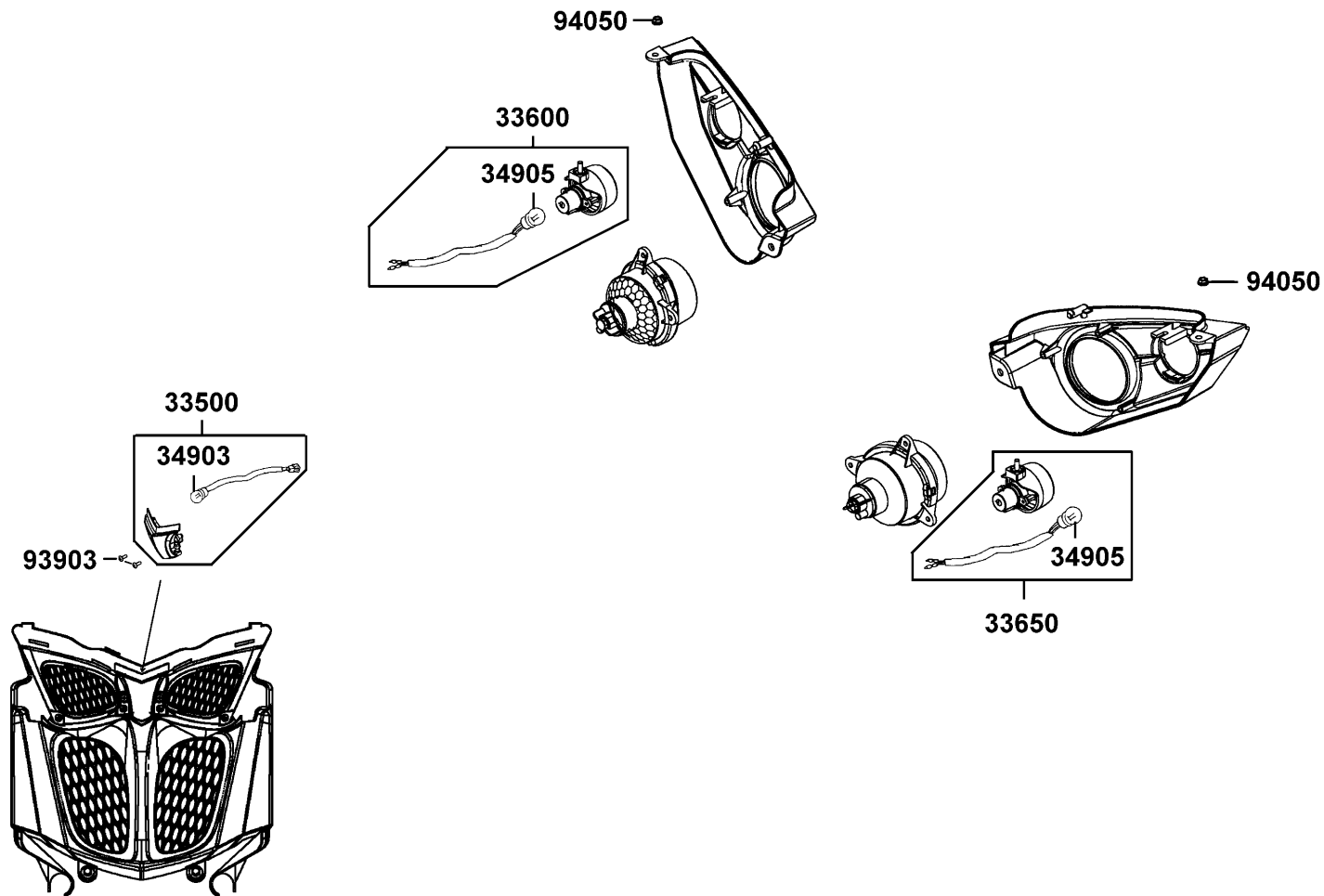
Control Arm Assy



Sales mark	Ref no	Part no	Description	Reg description	Regd no	F17
	90403	90403-LFA5-900	WASHER WAVE SPRING	WASHER WAVE SPRING	1	
	94005	94005-PWB1-900	HOSE BARB INTAKE MANIFOLD	HOSE BARB INTAKE MANIFOLD	1	
	94006	94006-PWB1-900	ROUTING CLIP SNAP-IN	ROUTING CLIP SNAP-IN	1	
	95002-02100	95002-02100	CLIP B15 TUBE	CLIP B15 TUBE	1	
	95002-40950	95002-40950-08	CLAMP D9.5 TUBE	CLAMP D9.5 TUBE	2	
	95005	95005-PWB1-900	BREATH TUBE RR GEAR ASSY	BREATH TUBE RR GEAR ASSY	1	
	95007	95007-LFA5-900	HOSE VENT-GEARCASE	HOSE VENT-GEARCASE	1	
	95701	95701-08040-08	BOLT FLANGE 8*40	BOLT FLANGE 8*40	11	
	96100	96100-63050-00	BRG BALL RADIAL 6305	BRG BALL RADIAL 6305	1	
	96120	96120-60080-00	BEARING, BALL 6008Z	BEARING, BALL 6008Z	2	

F18

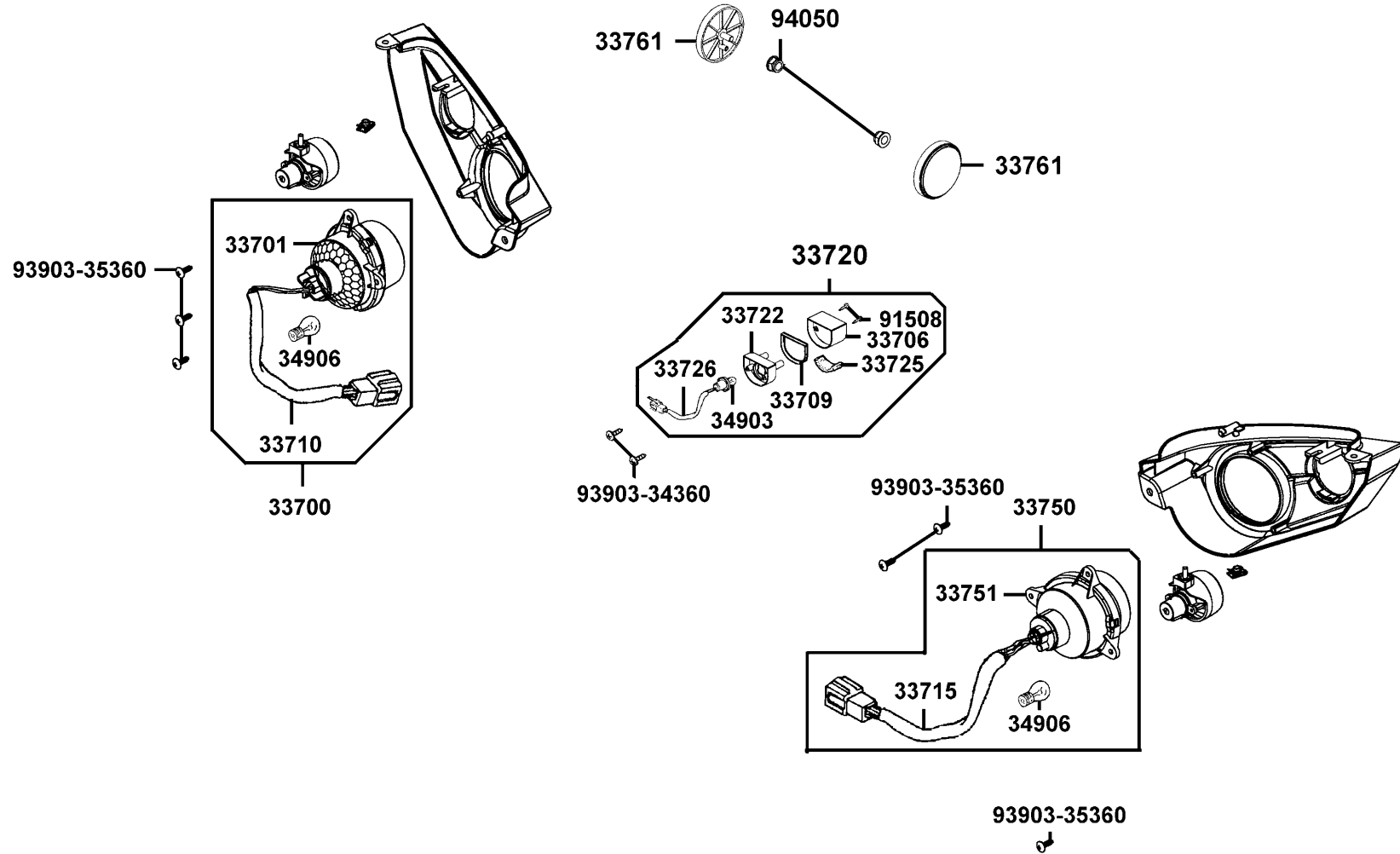
Winker Assy Fr



Sales mark	Ref no	Part no	Description	Reg description	Regd no	F18
	33500	33500-LGN5-E00	LIGHT ASSY FR POSITION	LIGHT ASSY FR POSITION	1	
	33600	33600-LGN5-E00	WINKER ASSY R RR	WINKER ASSY R RR	1	
	33650	33650-LGN5-E00	WINKER ASSY L RR	WINKER ASSY L RR	1	
	34903	34903-KPCP-900	BULB POSITION	BULB POSITION	1	
	34905	34905-LBA7-E00	BULB WINKER 12V10W	BULB WINKER 12V10W	2	
	93903	93903-34360	SCREW TAPPING 4*12	SCREW TAPPING 4*12	2	
	94050	94050-05060	NUT FLANGE 5MM	NUT FLANGE 5MM	2	

F19

Light Tail

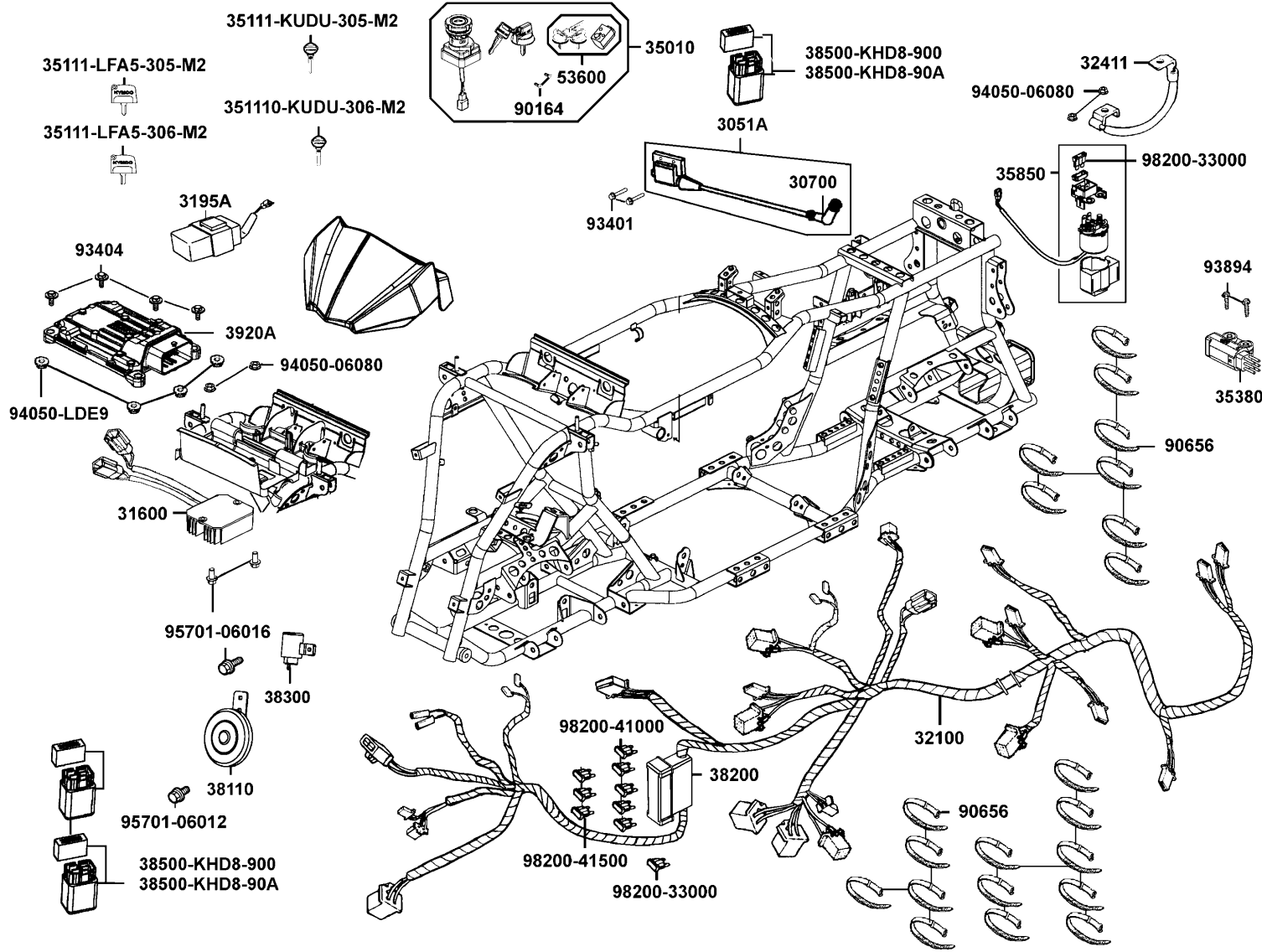


Sales mark	Ref no	Part no	Description	Reg description	Regd no	F19
	33700	33700-LGN5-E00	LIGHT ASSY R RR COMB	LIGHT ASSY R RR COMB	1	
	33701	33701-LGN5-E00	UNIT TAIL LIGHT R	UNIT TAIL LIGHT R	1	
	33706	33706-GCN3-67A	COVER LICENSE	COVER LICENSE	1	
	33709	33709-KBAB-003	PACKING LICENSE	PACKING LICENSE	1	
	33710	33710-LGN5-E00	SOCKET COMP R RR COMP	SOCKET COMP R RR COMP	1	
	33715	33715-LGN5-E00	SOCKET COMP L RR COMB	SOCKET COMP L RR COMB	1	
	33720	33720-LCA5-E00	LIGHT ASSY LICENSE	LIGHT ASSY LICENSE	1	
	33722	33722-KHB4-E00	BASE LICENSE	BASE LICENSE	1	
	33725	33725-KHB4-E00	LENS LICENSE	LENS LICENSE	1	
	33726	33726-LCA5-E00	SOCKET COMP	SOCKET COMP	1	
	33750	33750-LGN5-E00	LIGHT ASSY L RR COMB	LIGHT ASSY L RR COMB	1	
	33751	33751-LGN5-E00	UNIT TAIL LIGHT L	UNIT TAIL LIGHT L	1	
	33761	33761-KHC5-M00	REFLEX REFLECTOR	REFLEX REFLECTOR	2	
	34903	34903-KPCP-900	BULB POSITION	BULB POSITION	1	
	34906	34906-KPCP-900	BULB TAIL & STOP 12V21W/5W	BULB TAIL & STOP 12V21W/5W	2	
	91508	91508-KGV7-67A	SCREW TAPPING 4*14	SCREW TAPPING 4*14	2	
	93903-34360	93903-34360	SCREW TAPPING 4*12	SCREW TAPPING 4*12	2	
	93903-35360	93903-35360	SCREW TAPPING 5*16	SCREW TAPPING 5*16	6	
	94050	94050-06080	NUT FLANGE 6MM	NUT FLANGE 6MM	2	

Sales mark	Ref no	Part no	Description	Reg description	Regd no	F20
	3051A	3051A-LGC7-E00	COIL ASSY IGNITION	COIL ASSY IGNITION	1	
	30700	30700-PTA1-800	CAP ASSY NOISE SUPPRESOR	CAP ASSY NOISE SUPPRESOR	1	
	31600	31600-LGC7-E00	REG RECT COMP	REG RECT COMP	1	
	3195A	3195A-LBA7-E00	HAZARD CONTROL ASSY	HAZARD CONTROL ASSY	1	
#	32100	32100-LGC7-E01	HARNES WIRE	HARNES WIRE	1	
	32411	32411-LGN5-E00	CABLE BAT	CABLE BAT	1	
	35010	35010-LFA5-E00	KEY SET	KEY SET	1	
	35111-KUDU-305-M2	35111-KUDU-305-M2	KEY COMP (R TANGENT PLANE TJ)	KEY COMP (R TANGENT PLANE TJ)	1	
	35111-KUDU-306-M2	35111-KUDU-306-M2	KEY COMP(L TANGENT PLANE TJ)	KEY COMP(L TANGENT PLANE TJ)	1	
	35111-LFA5-305-M2	35111-LFA5-305-M2	KEY COMP (R TANGENT PLANE/TJ)	KEY COMP (R TANGENT PLANE/TJ)	1	
	35111-LFA5-306-M2	35111-LFA5-306-M2	KEY COMP (L TANGENT PLANE/TJ)	KEY COMP (L TANGENT PLANE/TJ)	1	
	35380	35380-LDF2-900	SENSOR ANGLE DETECT	SENSOR ANGLE DETECT	1	
	35850	35850-LBA2-E00	SET START MAG	SET START MAG	1	
	38110	38110-LDB5-E00	HORN COMP	HORN COMP	1	
	38200	38200-PWB1-900	BLADE FUSE 30A	BLADE FUSE 30A	1	
	38300	38300-LEA5-E0A	RELAY ASSY WINKER	RELAY ASSY WINKER	1	
	38500-KHD8-900	38500-KHD8-900	RELAY ASSY LIGHT	RELAY ASSY LIGHT	3	
	38500-KHD8-90A	38500-KHD8-90A	RELAY ASSY LIGHT	RELAY ASSY LIGHT	3	
	3920A	3920A-PTA1-810	MODULE ASSY ECU	MODULE ASSY ECU	1	
	53600	53600-KKAK-E0B	LOCK SET STRG HANDLE	LOCK SET STRG HANDLE	1	

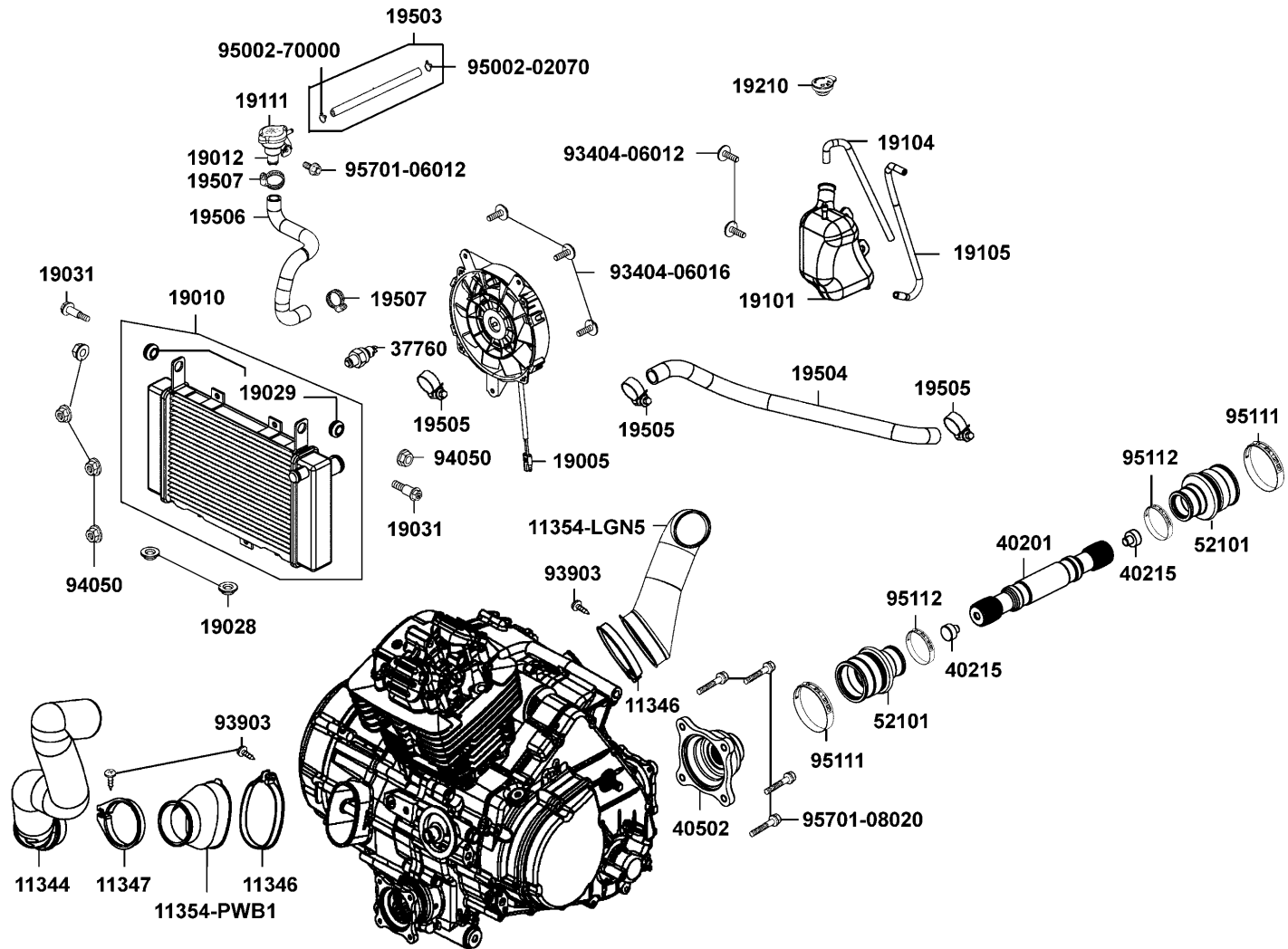
F20

Harness Wire

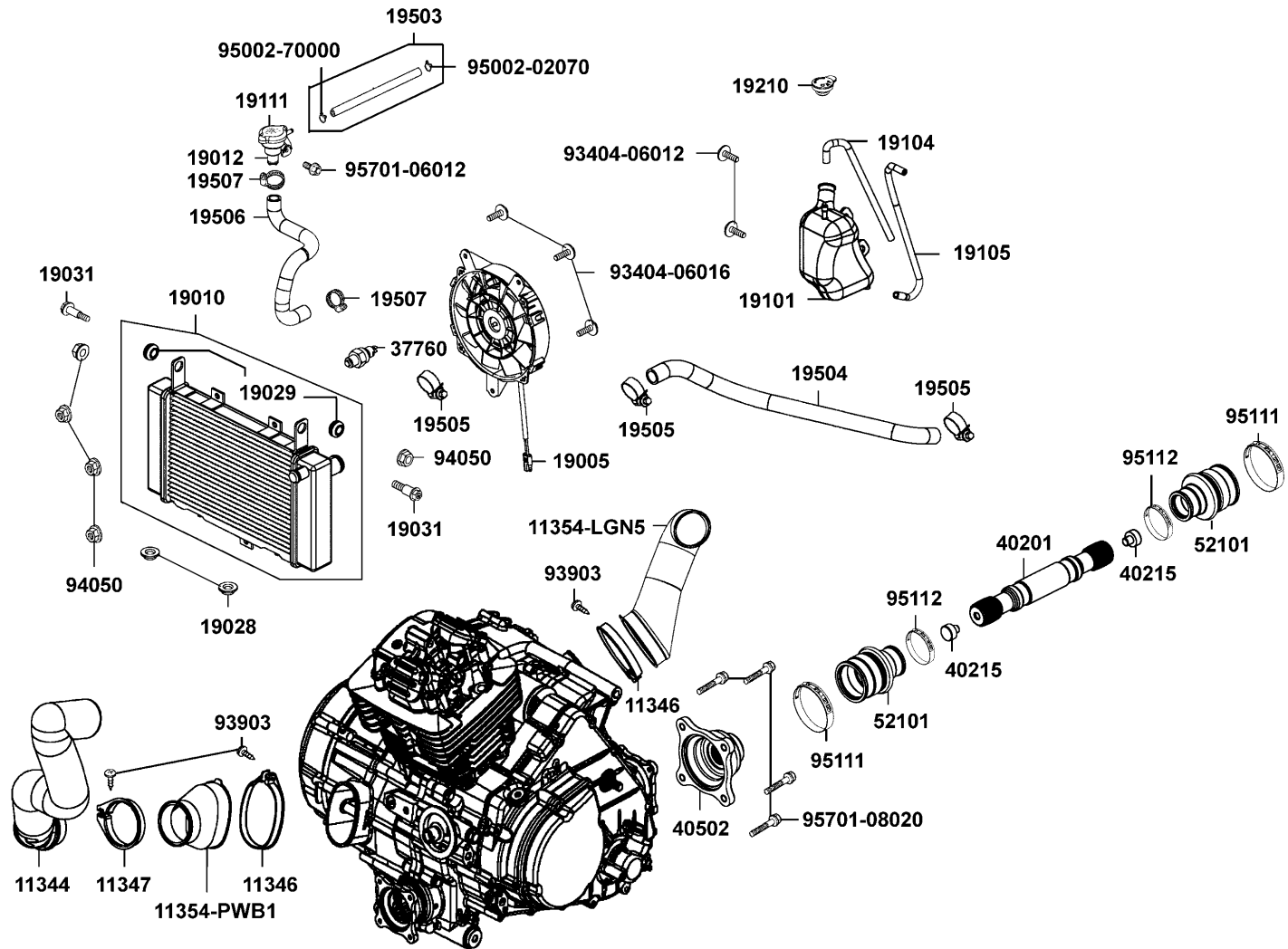


Sales mark	Ref no	Part no	Description	Reg description	Regd no	F20
	90164	90164-0H28-900	SCREW FLAT U LOCK 6*12	SCREW FLAT U LOCK 6*12	2	
	90656	90656-KCBC-900	BAND OIL HOSE	BAND OIL HOSE	21	
	93401	93401-04025-08	BOLT WASHER 4*25	BOLT WASHER 4*25	2	
	93404	93404-06020-06	BOLT WASH 6*20	BOLT WASH 6*20	4	
	93894	93894-04022-08	SCREW PLAIN WASHER 4*22	SCREW PLAIN WASHER 4*22	2	
	94050-06080	94050-06080	NUT FLANGE 6MM	NUT FLANGE 6MM	4	
	94050-LDE9	94050-LDE9-E00	NUT LOCK	NUT LOCK	4	
	95701-06012	95701-06012-06	BOLT FLANGE 6*12	BOLT FLANGE 6*12	1	
	95701-06016	95701-06016-06	BOLT FLANGE 6*16 (K)	BOLT FLANGE 6*16 (K)	2	
	98200-33000	98200-33000	BLADE FUSE 30A	BLADE FUSE 30A	2	
	98200-41000	98200-41000	FUSE 10A	FUSE 10A	4	
	98200-41500	98200-41500	FUSE 15A	FUSE 15A	2	

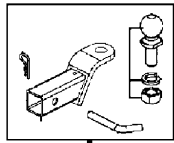
Sales mark	Ref no	Part no	Description	Reg description	Regd no	F21
	50100	50100-LGC7-E00	BODY COMP FRAME	BODY COMP FRAME	1	
	50211	50211-LGC7-E00	STAY REFLECTOR	STAY REFLECTOR	2	
	50505	50505-KEBE-900	STOPPER RUBBER	STOPPER RUBBER	1	
	51406	51406-LGC7-E00	TUBE COMP HEADLIGHT	TUBE COMP HEADLIGHT	1	
	54100	54100-LFA5-E00	STAY ELE SET	STAY ELE SET	1	
**	60160	60160-LGC7-E00	PROTECTOR HOSE	PROTECTOR HOSE	1	
	81200	81200-LGC7-E60	GRIP, REAR	GRIP, REAR	1	
	83620	83620-LFA5-E00	CAP PIPE	CAP PIPE	4	
	85100	85100-LGC7-E60	BUMPER, FRONT	BUMPER, FRONT	1	
	90304	90304-GLW0-90A	NUT U FLANGE 10MM	NUT U FLANGE 10MM	6	
	90652	90652-LDB5-900	CLIP MUDGUARD	CLIP MUDGUARD	2	
	91307	91307-PWB1-900	O-RING 10.82X1.778	O-RING 10.82X1.778	2	
	93404	93404-06016-06	BOLT WASHER 6*16	BOLT WASHER 6*16	2	
	94050	94050-08060	NUT FLANGE 8MM	NUT FLANGE 8MM	6	
	95701-08012	95701-08012-06	BOLT FLANGE 8*12	BOLT FLANGE 8*12	9	
	95701-08016	95701-08016-06	BOLT FLANGE 8*16	BOLT FLANGE 8*16	8	
	95801-10110	95801-10110-06	BOLT FLANGE 10*110	BOLT FLANGE 10*110	4	
	95801-10185	95801-10185-06	BOLT FLANGE 10*185 (G)	BOLT FLANGE 10*185 (G)	2	



Sales mark	Ref no	Part no	Description	Reg description	Regd no	F22
	11344	11344-PWB1-900	DUCT BELT AIR OUT	DUCT BELT AIR OUT	1	
	11346	11346-PWB1-900	CLAMP PLASTC-SCREW-OVAL	CLAMP PLASTC-SCREW-OVAL	2	
	11347	11347-PWB1-900	CLAMP PLASTC-SCREW-OVAL	CLAMP PLASTC-SCREW-OVAL	2	
	11354-LGN5	11354-LGN5-E00	BOOT AIR-OUT	BOOT AIR-OUT	1	
	11354-PWB1	11354-PWB1-900	BOOT AIR-IN	BOOT AIR-IN	2	
	19005	19005-PWB1-900	FAN COOLUGN-SMALL-6	FAN COOLUGN-SMALL-6	1	
	19010	19010-PTA1-900	RADIATOR ASSY	RADIATOR ASSY	1	
	19012	19012-KHD8-900	UNIT RADIATOR	UNIT RADIATOR	1	
	19028	19028-PWB1-900	BUSHING STEM	BUSHING STEM	2	
	19029	19029-PWB1-900	GROMMET	GROMMET	2	
	19031	19031-PWB1-900	BOLT SHOULDER	BOLT SHOULDER	2	
	19101	19101-PTA1-900	TANK RESERVE	TANK RESERVE	1	
	19104	19104-PTA1-900	HOSE ASSY DRAIN	HOSE ASSY DRAIN	1	
	19105	19105-PTA1-900	HOSE ASSY WATER	HOSE ASSY WATER	1	
	19111	19111-GBE2-004	CAP COMP	CAP COMP	1	
	19210	19210-KKC4-900	CAP RESERVE TANK	CAP RESERVE TANK	1	
	19503	19503-PTA1-900	HOSE ASSY WATER	HOSE ASSY WATER	1	
	19504	19504-PTA1-900	HOSE WATER	HOSE WATER	1	
	19505	19505-LBA2-E00	CLAMP WATER HOSE	CLAMP WATER HOSE	3	
	19506	19506-PTA1-900	HOSE WATER	HOSE WATER	1	

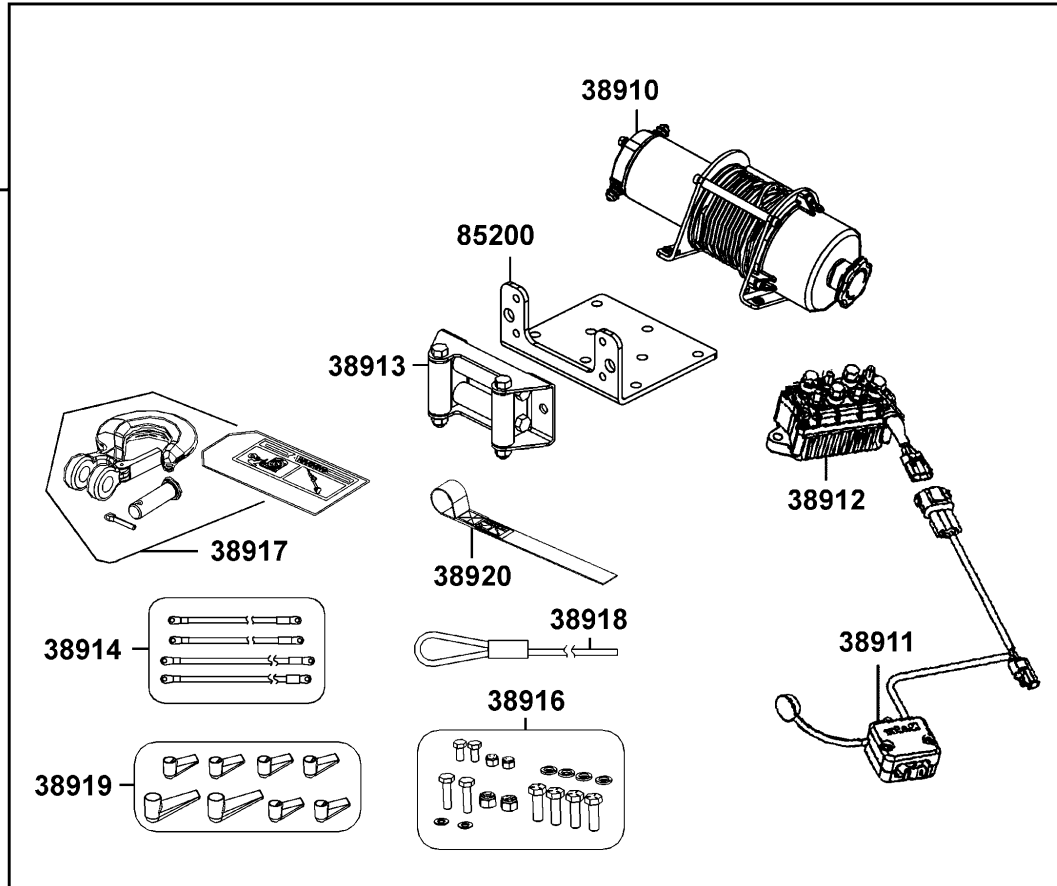
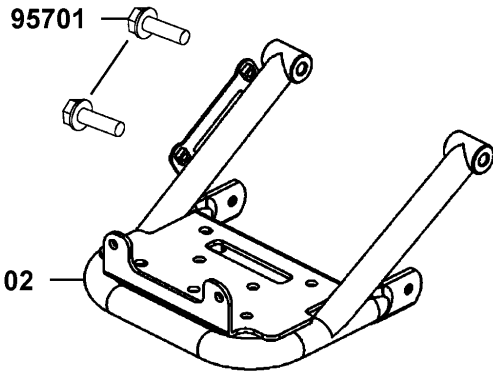


Sales mark	Ref no	Part no	Description	Reg description	Regd no	F22
	19507	19507-LBA2-E00	CLAMP D 27.5	CLAMP D 27.5	2	
	37760	37760-KHD8-900	SW ASSY THERMO	SW ASSY THERMO	1	
	40201	40201-PWB1-900	SHAFT PROPELLER-REAR	SHAFT PROPELLER-REAR	1	
	40215	40215-PWB1-900	BUMPER DRIVESHAFT	BUMPER DRIVESHAFT	2	
	40502	40502-PWB1-900	FLANGE OUTPUT	FLANGE OUTPUT	1	
	52101	52101-PWB1-900	BOOT COUPLER	BOOT COUPLER	2	
	93404-06012	93404-06012-06	BOLT WASH 6*12	BOLT WASH 6*12	2	
	93404-06016	93404-06016-06	BOLT WASHER 6*16	BOLT WASHER 6*16	3	
	93903	93903-45360	SCREW TAPPING 5*16	SCREW TAPPING 5*16	3	
	94050	94050-06060	NUT FLANGE 6MM	NUT FLANGE 6MM	5	
	95002-02070	95002-02070	CLIP B7 TUBE	CLIP B7 TUBE	2	
	95002-70000	95002-70000	CLIP C11 TUBE	CLIP C11 TUBE	1	
	95111	95111-PWB1-900	CLAMP BOOT	CLAMP BOOT	2	
	95112	95112-PWB1-900	CLAMP 30mm-BOOT	CLAMP 30mm-BOOT	2	
	95701-06012	95701-06012-06	BOLT FLANGE 6*12	BOLT FLANGE 6*12	1	
	95701-08020	95701-08020-06	BOLT FLANGE 8*20	BOLT FLANGE 8*20	4	



(ACCESSORY)

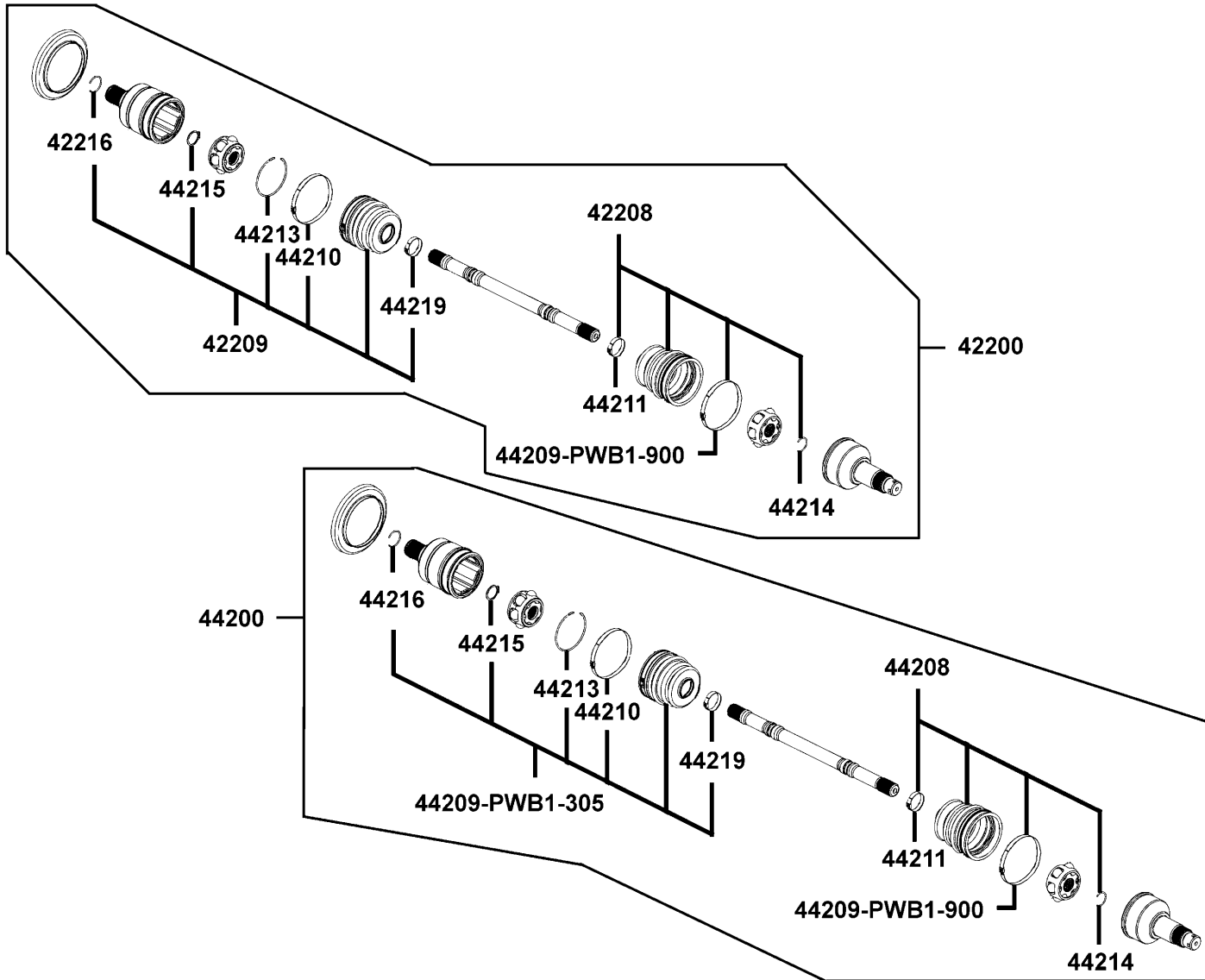
3890A



Sales mark	Ref no	Part no	Description	Reg description	Regd no	F23
3890A		3890A-LGC7-E01	WINCH ASS'Y	WINCH ASS'Y	1	
38910		38910-PWB1-E03	WINCH COMP	WINCH COMP	1	
38911		38911-PWB1-E03	ROCKER SWITCH CABLE	ROCKER SWITCH CABLE	1	
38912		38912-PWB1-E03	SOLENOID	SOLENOID	1	
38913		38913-PWB1-E03	ROLLER FAILEAD	ROLLER FAILEAD	1	
38914		38914-LGC7-E01	POWER CORD	POWER CORD	1	
38916		38916-LGC7-E01	HARDWARE	HARDWARE	1	
38917		38917-PWB1-E03	HOOK PART ACCESSORIES	HOOK PART ACCESSORIES	1	
38918		38918-PWB1-E03	CABLE WIRE	CABLE WIRE	1	
38919		38919-PWB1-E03	INSULATION CAP	INSULATION CAP	1	
38920		38920-PWB1-E03	STRAP,HOOK	STRAP,HOOK	1	
85102		85102-LGC7-E00	PLATE,WINCH	PLATE,WINCH	1	
85200		85200-LFA5-600	PLATE WINCH-WELDMENT	PLATE WINCH-WELDMENT	1	
95701		95701-06020-06	BOLT FLANGE 6*20	BOLT FLANGE 6*20	1	

F24

Separated Parts Of Halfshaft



Sales mark	Ref no	Part no	Description	Reg description	Regd no	F24
	42200	42200-LGC3-900	HALFSHAFT, REAR	HALFSHAFT, REAR	1	
	42208	42208-PWB1-305	WHEEL SIDE BOOT SERVICE KIT	WHEEL SIDE BOOT SERVICE KIT	1	
	42209	42209-PWB1-305	DIFF SIDE BOOT SERVICE KIT	DIFF SIDE BOOT SERVICE KIT	1	
	42216	42216-PWB1-900	CIRCLIP (DOJ STEM)	CIRCLIP (DOJ STEM)	1	
	44200	44200-LGC3-900	HALFSHAFT FRONT	HALFSHAFT FRONT	1	
	44208	44208-PWB1-305	WHEEL SIDE BOOT SERVICE KIT	WHEEL SIDE BOOT SERVICE KIT	2	
	44209-PWB1-305	44209-PWB1-305	DIFF SIDE BOOT SERVICE KIT	DIFF SIDE BOOT SERVICE KIT	2	
	44209-PWB1-900	44209-PWB1-900	BOOT-BAND (L)	BOOT-BAND (L)	2	
	44210	44210-PWB1-900	BOOT-BAND (L)	BOOT-BAND (L)	2	
	44211	44211-PWB1-900	BOOT-BAND (S)	BOOT-BAND (S)	2	
	44213	44213-PWB1-900	CIRCLIP (DOJ MONTH)	CIRCLIP (DOJ MONTH)	2	
	44214	44214-PWB1-900	CIRCLIP	CIRCLIP	2	
	44215	44215-PWB1-900	SNAP RING	SNAP RING	2	
	44216	44216-PWB1-900	CIRCLIP (DOJ STEM)	CIRCLIP (DOJ STEM)	2	
	44219	44219-PWB1-900	BOOT-BAND (S)	BOOT-BAND (S)	2	

▲ WARNING

IMPROPER TIRE PRESSURE OR OVERLOADING CAN CAUSE LOSS OF CONTROL. LOSS OF CONTROL CAN RESULT IN SEVERE INJURY OR DEATH.

OPERATING TIRE PRESSURE: Set with tires cold

- Recommended:
 - FRONT: 40 ± 3kpa, (0.4 ± 0.03 kgf/cm²), 5.7 ± 0.4 psi
 - REAR :40 ± 3kpa, (0.4 ± 0.03 kgf/cm²), 5.7 ± 0.4 psi
- Never set tire pressure over the recommended.

87505-LGN5-E01

87505

▲ WARNING

Exceeding vehicle's towing limit could cause an accident. Reduce speed when towing a trailer. Read operator's manual for details.

MAXIMUM TONGUE WEIGHT :
36 lbs. (16 kg)


MAXIMUM TOWING CAPACITY :
278 lbs. (126 kg)

87514-LGN5-E02


87514

▲ WARNING

Improper ATV use can result in SEVERE INJURY or DEATH



ALWAYS USE AN APPROVED HELMET AND PROTECTIVE GEAR



NEVER USE WITH DRUGS OR ALCOHOL

NEVER operate:

- without proper training or instruction
- at speeds too fast for your skills or the conditions.
- do not operate the vehicle after consuming alcohol or drugs.

ALWAYS:

- use proper riding techniques to avoid vehicle overturns on hill and rough terrain and in turns.
- for your safety, wear gear to include helmet gloves and foot protection.
- gasoline is flammable, shut off engine, avoid sparks and open flame when refueling.

LOCATE AND READ OPERATOR'S MANUAL. FOLLOW ALL INSTRUCTIONS AND WARNINGS

87515-LDB5-E10

87515


CAUTION

Before shifting, you must stop the machine and return the throttle lever to its closed position until the engine speed to the specified idling speed. Otherwise, the transmission may be damaged.

87322-LBA7-E00

87322

▲ WARNING



Operating this ATV if you are under the age of 16 increases your chances of severe injury or death.

NEVER operate this ATV if you are under the age of 16.

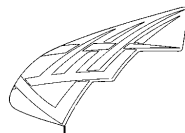
87517-LDB5-E00

87517

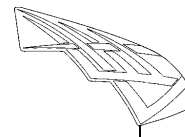
Sales mark	Ref no	Part no	Description	Reg description	Regd no	F25
**	87322	87322-LBA7-E00	CAUTION SHIFIT GEARS	CAUTION SHIFIT GEARS	1	
**	87505	87505-LGN5-E01	LABEL TIRE ON ROAD	LABEL TIRE ON ROAD	1	
**	87514	87514-LGN5-E02	WARNING MAXIMUM CAPACITY	WARNING MAXIMUM CAPACITY	1	
**	87515	87515-LDB5-E01	DRIVE WARNING LIST-ON ROAD	DRIVE WARNING LIST-ON ROAD	1	
**	87517	87517-LDB5-E00	CAUTION DRIVE AGE 16	CAUTION DRIVE AGE 16	1	



87503



86663



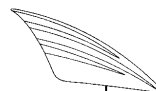
86673



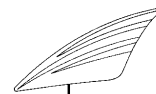
86500



86102



86653



86643



86633



86553



86533



86623



86543



86523

Sales mark	Ref no	Part no	Description	Reg description	Regd no	F26
**	86102	86102-LDB5-900	STRIPE K-LOGO 28.5MM	STRIPE K-LOGO 28.5MM	1	
**	86500	86500-LGC7-E61	STRIPE FUEL TANK	STRIPE FUEL TANK	2	
**	86523	86523-LGC7-E61	STRIPE R FENDER FRONT	STRIPE R FENDER FRONT	1	
**	86533	86533-LGC7-E61	STRIPE L FENDER FRONT	STRIPE L FENDER FRONT	1	
**	86543	86543-LGC7-E61	STRIPE B R FENDER FRONT	STRIPE B R FENDER FRONT	1	
**	86553	86553-LGC7-E61	STRIPE B L FENDER FRONT	STRIPE B L FENDER FRONT	1	
**	86623	86623-LGC7-E61	STRIPE R FENDER REAR	STRIPE R FENDER REAR	1	
**	86633	86633-LGC7-E61	STRIPE L FENDER REAR	STRIPE L FENDER REAR	1	
**	86643	86643-LGC7-E61	STRIPE B R FENDER REAR	STRIPE B R FENDER REAR	1	
**	86653	86653-LGC7-E61	STRIPE B L FENDER REAR	STRIPE B L FENDER REAR	1	
**	86663	86663-LGC7-E61	STRIPE C R FENDER REAR	STRIPE C R FENDER REAR	1	
**	86673	86673-LGC7-E61	STRIPE C L FENDER REAR	STRIPE C L FENDER REAR	1	
**	87503	87503-LGN5-900	STRIPE KYMCO-125mm (PP)	STRIPE KYMCO-125mm (PP)	1	

PART NO. INDEX

PART NO.	VERSION	PAGE	PART NO.	VERSION	PAGE	PART NO.	VERSION	PAGE
11000			11496-PWB1-900	1	E05	14000		
			12000					
11103-PTA1-800	0	E01				14100-PTA1-910	1	E03
11105-PTA1-800	0	E01	12100-PTA1-900	1	E04	14321-PTA1-900	2	E03
11106-PWB1-900	2	E01	12191-PTA1-900	0	E04	14323-PWB1-900	1	E03
11107-PWB1-900	2	E01	12205-KHE8-301	3	E03	14324-PWB1-900	2	E03
11108-PWB1-900	4	E01	12206-LBA2-E00	2	E03	14401-PWB1-900	2	E04
1110A-PTA1-900	2	E01	12209-PWB1-900	2	E03	14420-PTA1-900	5	E03
11203-PWB1-900	2	E01	1220A-PTA1-800	0	E03	14430-PTA1-900	5	E03
11330-PTA1-900	4	E05	1220C-LGC7-305	0	E03	14433-PTA1-900	2	E03
11331-PWB1-900	2	E02	12251-PTA1-900	1	E04	14434-PTA1-900	1	E03
11332-PWB1-900	1	E05	12302-PWB1-900	1	E03	14452-PTA1-900	0	E03
11333-LFA5-900	0	E02	1236A-PWB1-900	2	E03	14510-PWB1-900	3	E04
11334-PWB1-900	1	E02				14520-GFY6-90A	1	E04
11335-PWB1-900	1	E01	13000			14523-KED9-900	0	E04
11335-PWB1-900	1	E02				14531-PWB1-900	6	E04
11344-PWB1-900	2	F22	13000-PWB1-900	8	E04	14610-PTA1-900	2	E04
11346-PWB1-900	2	F22	13011-PTA1-90B	1	E04	14711-PTA1-900	3	E03
11347-PWB1-900	2	F22	13101-LGC7-E00	2	E04	14721-PTA1-900	2	E03
11348-PTA1-900	3	E05	13111-PWB1-900	3	E04	14751-PTA1-900	0	E03
11354-LGN5-E00	0	F22	13418-PWB1-900	4	E04	14771-PWB1-900	3	E03
11354-PWB1-900	4	F22	13421-PTA1-900	2	E04	14777-PWB1-900	3	E03
11394-PWB1-900	2	E05				14781-MFA6-001	0	E03
11395-PWB1-900	2	E02						
11396-PWB1-900	2	E02						

PART NO. INDEX

PART NO.	VERSION	PAGE	PART NO.	VERSION	PAGE	PART NO.	VERSION	PAGE	
15000			16118-LBF2-900	2	E11	17500-LGC3-E00	2	F10	
			16134-LDB5-E00	3	E11	17505-PWB1-900	0	F13	
			16137-PTA1-800	0	E11	17507-PWB1-900	3	F13	
	15100-PWB1-900	4	E07	16911-LGC7-E00	3	F10	17508-LGC7-E00	0	E03
	15112-PWB1-900	1	E01	16958-KHB4-900	1	E05	17522-PWB1-900	1	F10
	15131-PWB1-900	2	E04				17531-LGC7-E00	1	F10
	15133-PWB1-900	3	E07	17000			1755A-PTA1-800	0	F10
	15200-PWB1-900	2	E05				17560-LGC7-E00	1	F12
	1541A-PWB1-900	1	E01	1711A-LGC3-E01	1	E03	1763A-LGN5-MY0	0	F10
	15420-PWB1-900	2	E01	17200-LFA5-E00	0	F13	17700-LGN5-E00	0	F05
	15436-PWB1-900	2	E01	17206-PWB1-900	1	F13	17910-LFA5-E00	2	F03
	15438-PWB1-900	2	E01	17208-PWB1-900	0	F13			
	15438-PWB1-900	2	E03	17212-PWB1-900	0	F13	18000		
	15439-PWB1-900	2	E01	17214-PWB1-900	1	F13			
	15510-PTA1-900	1	E05	17215-PWB1-900	6	F13	18291-PTA1-900	0	F14
1565A-PWB1-900	4	E05	1721A-PWB1-900	2	F13	18293-PWB1-900	4	F14	
15711-PWB1-900	1	E04	17228-PWB1-900	2	F13	18305-PWB1-900	1	F14	
			17230-PWB1-900	6	F13	18306-LGC7-E00	1	F14	
16000			17231-PWB1-900	5	F13	1830A-LGC7-E00	2	F14	
			17253-PWB1-900	4	F13	18310-LGC7-E00	0	F14	
16053-PTA1-800	1	E11	17254-PWB1-900	5	F13	18317-PTA1-900	0	F14	
16054-PTA1-800	2	E11	17255-PWB1-900	1	F13	18318-PWB1-900	2	F14	
16059-LDB5-E00	3	E11	17256-LGC3-E01	0	F13	18320-PTA1-900	3	F14	
16100-PTA1-E00	1	E11	17257-PWB1-900	5	F13	18328-LFA5-910	0	F14	
16110-KGC5-900	1	E11	17291-PWB1-900	1	F13	18329-PWB1-700	0	F14	
16113-PTA1-800	2	E11	17292-PWB1-900	1	F13	18339-PWB1-900	1	F14	

PART NO. INDEX

PART NO.	VERSION	PAGE	PART NO.	VERSION	PAGE	PART NO.	VERSION	PAGE
18391-PTA1-900	1	F14	19316-PTA1-900	5	E05	22402-LFA5-900	2	E06
19000			19317-LBA2-E00	1	E05	2261A-LFA5-900	6	E06
			19502-PTA1-900	3	E05	2262A-LFA5-900	4	E06
			19503-PTA1-900	1	F22	22631-LFA5-900	5	E06
19005-PWB1-900	1	F22	19504-LBA2-E00	3	E05	22641-LFA5-900	2	E06
19010-PTA1-900	0	F22	19504-LBA2-E00	3	F10	2266A-LFA5-900	5	E06
19012-KHD8-900	4	F22	19504-PTA1-900	0	F22	23000		
19028-PWB1-900	1	F22	19505-LBA2-E00	4	E05			
19029-PWB1-900	0	F22	19505-LBA2-E00	4	F22			
19031-PWB1-900	1	F22	19505-PTA1-900	2	E05	2301A-LGC7-E00	0	E06
19101-PTA1-900	0	F22	19506-PTA1-900	1	F22	23100-PWB1-900	1	E06
19102-LGC7-E00	0	F05	19507-LBA2-E00	0	E05	23103-PTA1-900	3	E04
19104-PTA1-900	0	F22	19507-LBA2-E00	0	F22	23201-PWB1-900	4	E06
19105-PTA1-900	1	F22	19507-LDB5-E00	1	E05	23210-PWB1-900	2	E08
19111-GBE2-004	1	F22	19523-PTA1-900	2	E05	23220-LFA5-900	7	E06
19210-KKC4-900	0	F22	22000			23222-PWB1-800	1	E06
19214-PTA1-900	3	E05				23223-LFA5-900	3	E06
19215-LBA2-E00	2	E05				23230-PWB1-900	2	E08
19217-KFA5-900	1	E05	22102-LFA5-900	5	E06	23233-LGC7-E00	0	E06
19229-LDB5-E00	1	E05	22105-PWB1-900	4	E06	23237-LFA5-900	3	E06
1922A-PTA1-900	2	E05	22110-LFA5-900	5	E06	23240-LFA5-900	5	E06
1922B-PTA1-900	4	E05	22121-LGC7-E00	0	E06	23250-LFA5-900	4	E06
19231-PTA1-900	2	E05	22127-LFA5-900	2	E06	23252-LFA5-900	1	E06
19300-LBA2-E00	1	E05	22128-LFA5-900	2	E06	23256-LFA5-900	1	E06
19310-LDB5-E00	1	E05	22131-PWB1-900	3	E06	23411-PTA1-900	1	E08
19315-LBA2-E00	2	E05	22132-PWB1-900	4	E06	23421-PWB1-900	4	E08

PART NO. INDEX

PART NO.	VERSION	PAGE	PART NO.	VERSION	PAGE	PART NO.	VERSION	PAGE
23425-PWB1-900	2	E08	24411-PWB1-900	5	E08	28113-PWB1-900	2	E07
23430-PWB1-900	2	E10	24421-PWB1-900	1	E01	28120-PWB1-900	2	E07
23431-PWB1-900	4	E10	24430-PWB1-900	2	E08			
23441-PWB1-900	6	E10	24435-PTA1-800	0	E08	30000		
23451-PWB1-900	3	E08	24610-PWB1-900	2	E08			
23471-PWB1-900	1	E08	2461A-PWB1-900	2	E08	3051A-LGC7-E00	0	F20
23472-PWB1-900	2	E08	24702-LGN5-E00	0	F15	30700-PTA1-800	3	F20
23473-PWB1-900	1	E08	24703-PWB1-900	3	F15			
23481-PWB1-900	2	E08	24704-PWB1-900	2	F13	31000		
23510-PWB1-900	2	E08	24704-PWB1-900	2	F15			
23511-PTA1-900	1	E08	24705-PWB1-900	3	F15	31110-PTA1-800	1	E07
23512-PWB1-900	3	E08	24707-PWB1-900	4	F15	31120-LFA5-E00	2	E07
23518-PWB1-900	3	E08	24708-PWB1-900	1	F15	31210-PTA1-800	1	E07
23519-PWB1-900	1	E10	2470A-LGN5-E00	0	F15	31350-LDB5-E0A	1	E05
23521-PWB1-900	2	E08	24721-PWB1-900	2	F15	31500-LDB5-E0A	2	F11
24000			24722-PWB1-900	3	F15	31500-LDB5-E0B	2	F11
			24723-PWB1-900	3	F15	31600-LGC7-E00	0	F20
			24781-LFA5-E00	0	F15	31605-LGC7-E00	0	F05
24080-PWB1-900	3	F15	2478A-LFA5-E00	2	F15	3195A-LBA7-E00	1	F20
24221-PWB1-900	3	E08	28000			32000		
24241-PWB1-900	3	E08						
24242-PWB1-900	4	E08						
24301-PWB1-900	3	E08	28101-PWB1-900	3	E07	32100-LGC7-E01	0	F20
24302-PWB1-900	3	E08	28102-PWB1-900	2	E07	32161-4D04-001	2	F03
24305-PWB1-900	1	E08	28110-PWB1-900	4	E07	32410-PTA1-800	1	E07
24310-PWB1-900	3	E08	28112-PWB1-900	1	E07	32411-2C53-001	3	E07

PART NO. INDEX

PART NO.	VERSION	PAGE	PART NO.	VERSION	PAGE	PART NO.	VERSION	PAGE
32411-LGN5-E00	2	F20	33761-KHC5-M00	1	F19	35380-LDF2-900	2	F20
32412-PTA1-800	1	E07				35759-PWB1-900	5	E01
			34000			35850-LBA2-E00	1	F20
33000			34300-KKE3-900	4	E11	37000		
33100-LGN5-E60	0	F01	34301-KKE3-900	2	E11			
33110-LGN5-E60	0	F01	34901-KGB5-M30	0	F01	37119-PTA1-800	0	F02
33120-LGN5-E60	0	F01	34903-KPCP-900	0	F18	37200-PTA1-800	2	F02
33130-LGN5-E00	0	F01	34903-KPCP-900	0	F19	37760-KHD8-900	0	F22
33135-LGN5-E00	0	F01	34905-LBA7-E00	0	F18	37802-LGC3-E00	0	F10
33150-LGN5-E60	0	F01	34905-LCA5-900	0	F01			
33500-LGN5-E00	0	F18	34906-KPCP-900	0	F19	38000		
33600-LGN5-E00	0	F18						
33650-LGN5-E00	0	F18	35000			38110-LDB5-E00	1	F20
33700-LGN5-E00	0	F19				38200-PWB1-900	0	F20
33701-LGN5-E00	0	F19	35010-LFA5-E00	1	F20	38300-LEA5-E0A	1	F20
33706-GCN3-67A	0	F19	35107-PWB1-900	1	E07	38500-KHD8-900	0	F20
33709-KBAB-003	0	F19	35108-PWB1-900	1	E05	38500-KHD8-90A	0	F20
33710-LGN5-E00	0	F19	35111-KUDU-305-M2	0	F20	3890A-LGC7-E01	0	F23
33715-LGN5-E00	0	F19	35111-KUDU-306-M2	0	F20	38910-PWB1-E03	2	F23
33720-LCA5-E00	2	F19	35111-LFA5-305-M2	0	F20	38911-PWB1-E03	1	F23
33722-KHB4-E00	0	F19	35111-LFA5-306-M2	0	F20	38912-PWB1-E03	1	F23
33725-KHB4-E00	0	F19	3515A-LDB5-E00	3	F03	38913-PWB1-E03	1	F23
33726-LCA5-E00	0	F19	3520A-LDB5-E00	1	F03	38914-LGC7-E01	0	F23
33750-LGN5-E00	0	F19	35340-LDB5-900	0	F04	38916-LGC7-E01	0	F23
33751-LGN5-E00	0	F19	35340-PWB1-E00	1	F15	38917-PWB1-E03	2	F23

PART NO. INDEX

PART NO.	VERSION	PAGE	PART NO.	VERSION	PAGE	PART NO.	VERSION	PAGE
38918-PWB1-E03	0	F23				42401-LFA5-900	1	E09
38919-PWB1-E03	0	F23	41000			42401-LFA5-900	1	F17
38920-PWB1-E03	0	F23				42402-LFA5-900	2	E09
39000			41300-LGC3-900	1	F17	42402-LFA5-900	2	F17
			41311-LFA5-900	3	F17	42404-LFA5-910	1	E09
			41431-LFA5-900	5	F17	42404-LFA5-910	1	F17
3920A-PTA1-810	2	F20	41435-LFA5-900	2	E09	42407-LFA5-900	1	E09
39300-LFA5-E00	5	E09	41435-LFA5-900	2	F17	42407-LFA5-900	1	F17
39300-PTA1-800	1	E03	41436-LFA5-900	1	F17	42408-LFA5-900	5	E09
39301-LGC7-E00	0	E03	41438-LFA5-900	2	F17	42409-LFA5-900	2	E09
39302-KKE3-900	2	E03	41439-LFA5-900	2	F17	42410-LFA5-900	3	E09
39400-LEA6-800	2	E03	41440-LFA5-900	2	F17	42410-LFA5-900	3	F17
39500-PTA1-800	1	E11	41441-LFA5-900	2	F17	42413-LFA5-900	2	E09
39700-PTA1-800	0	E11	41442-LFA5-900	2	F17	42413-LFA5-900	2	F17
40000			41443-LFA5-900	2	F17	42414-LFA5-900	2	E09
			41444-LFA5-900	2	F17	42415-LFA5-900	2	E09
			41445-LFA5-900	2	F17	42416-LFA5-900	2	E09
40201-PWB1-900	3	F22				42418-LFA5-900	1	E09
40215-PWB1-900	1	E10	42000			42419-LFA5-900	1	E09
40215-PWB1-900	1	F22				42419-LFA5-900	1	F17
40401-PWB1-900	2	E10	42200-LGC3-900	3	F08	42421-LFA5-900	1	E09
4040A-PWB1-900	3	E10	42200-LGC3-900	3	F24	42422-LFA5-900	2	E09
40502-PWB1-900	1	E10	42208-PWB1-305	0	F24	42422-LFA5-900	2	F17
40502-PWB1-900	1	F22	42209-PWB1-305	0	F24	42423-LFA5-900	1	E09
			42216-PWB1-900	0	F24	42423-LFA5-900	1	F17
			42400-LGC3-900	1	E09	42424-LFA5-900	2	E09

PART NO. INDEX

PART NO.	VERSION	PAGE	PART NO.	VERSION	PAGE	PART NO.	VERSION	PAGE
42425-LFA5-900	7	E09	42462-LFA5-900	2	E09	43147-LEC1-E00	0	F08
42425-LFA5-910	7	F17	42462-LFA5-900	2	F17	43450-LFA5-E00	3	F04
42428-LFA5-900	1	E09	42463-LFA5-900	2	E09	43500-LFA5-E00	2	F15
42430-LFA5-900	9	E09	42463-LFA5-900	2	F17	43525-PWA1-900	0	F04
42430-LFA5-910	9	F17	42464-LFA5-900	2	E09	43526-PWA1-900	0	F04
42432-LFA5-900	7	E09	42464-LFA5-900	2	F17	43527-PWA1-900	0	F04
42442-LFA5-900	4	E09	42465-LFA5-900	2	E09	43528-PWA1-900	0	F04
42442-LFA5-900	4	F17	42465-LFA5-900	2	F17	43530-LFA5-305	0	F04
42446-LFA5-900	1	E09	42466-LFA5-900	2	E09	43600-LDB5-E00	3	F04
42446-LFA5-900	1	F17	42466-LFA5-900	2	F17			
42448-LFA5-900	1	E09	42467-LFA5-900	2	E09	44000		
42448-LFA5-900	1	F17	42467-LFA5-900	2	F17			
42449-LFA5-900	2	E09	42705-LGN5-E00	0	F08	44200-LGC3-900	3	F07
42449-LFA5-900	2	F17	4270A-LFA5-E00	2	F08	44200-LGC3-900	3	F24
42451-LFA5-900	1	E09	42710-LGN5-E0A	1	F08	44208-PWB1-305	0	F24
42451-LFA5-900	1	F17	42753-KNBN-90B	1	F07	44209-PWB1-305	0	F24
42453-LGC3-900	1	E09	42753-KNBN-90B	1	F08	44209-PWB1-900	0	F24
42453-LGC3-900	1	F17				44210-PWB1-900	0	F24
42454-LFA5-900	2	E09	43000			44211-PWB1-900	0	F24
42454-LFA5-910	2	F17				44213-PWB1-900	0	F24
42456-LFA5-900	5	E09	43100-LFA5-E00	2	F08	44214-PWB1-900	0	F24
42456-LFA5-900	5	F17	43110-LFA5-E00	0	F08	44215-PWB1-900	0	F24
42460-LFA5-900	2	E09	43127-LFA5-E00	2	F04	44216-PWB1-900	0	F24
42460-LFA5-900	2	F17	43140-LEC1-E00	0	F08	44219-PWB1-900	0	F24
42461-LFA5-900	2	E09	43143-LEC1-E00	0	F08	44705-LGN5-E00	0	F07
42461-LFA5-900	2	F17	43146-LEC1-E00	0	F08	4470A-LFA5-E00	2	F07

PART NO. INDEX

PART NO.	VERSION	PAGE	PART NO.	VERSION	PAGE	PART NO.	VERSION	PAGE
4470A-LFA5-E00	2	F08	45200-PWB1-900	4	F07			
44710-LGN5-E0A	1	F07	45200-PWB1-900	4	F08	47000		
45000			45203-LEC1-E00	0	F08			
			45230-PWB1-305	0	F07	47400-PWB1-900	4	F06
			45230-PWB1-305	0	F08	47410-LGN5-E00	0	F07
45100-PWB1-900	3	F07	45232-LEC1-E00	0	F08	47410-LGN5-E00	0	F08
45105-LFA5-305	0	F08	45352-PWB1-305	0	F07	47450-PWB1-900	4	F16
45105-PWB1-305	0	F07	45352-PWB1-305	0	F08	47500-PWB1-900	4	F06
45105-PWB1-305	0	F08	45513-KKC4-900	0	F04	47550-PWB1-900	4	F16
45107-LEC1-E00	0	F08	45513-LEA7-E00	1	F04			
45107-PWB1-305	0	F07	45517-KFAF-900	0	F04	50000		
45107-PWB1-305	0	F08	45517-LDE9-E00	0	F04			
45109-LEC1-E00	0	F08	45520-KKA8-900	0	F04	50100-LGC7-E00	0	F21
45110-PWB1-305	0	F07	45520-KKC4-900	0	F04	50144-PTA1-900	1	E05
45110-PWB1-305	0	F08	45525-LBA7-900	0	F04	50207-LGC7-E00	0	F11
45116-LEC1-E00	0	F08	45526-LBA7-900	0	F04	50211-LGC7-E00	1	F21
45117-LEC1-E00	0	F08	45527-LBA7-900	0	F04	50325-LGC7-E00	1	F11
45121-PWB1-900	2	F07	45530-LDB5-305	0	F04	50326-LGC7-E00	1	F11
45121-PWB1-900	2	F08	45531-LEC1-E00	0	F08	50505-KEBE-900	0	F21
45124-PWB1-E00	2	F04						
45125-LFA5-E00	6	F04	46000			51000		
45126-LFA5-E00	5	F04						
45127-LFA5-E00	4	F04	46500-LGN5-E00	1	F15	51400-LGN5-E00	0	F06
45128-LFA5-E01	1	F04	46503-LFA5-E00	2	F15	51406-LGC7-E00	1	F21
45132-LBA7-900	1	F04						
45133-LEC1-E00	0	F08						

PART NO. INDEX

PART NO.	VERSION	PAGE	PART NO.	VERSION	PAGE	PART NO.	VERSION	PAGE	
52000			53192-LDE9-E00	0	F04	54600-LGN5-E00	1	F16	
			53193-LDE9-E00	0	F04	54601-LFE9-E00	0	F16	
			53194-LDE9-E00	0	F04	54602-LFE9-E00	0	F16	
	52101-PWB1-900	1	F22	53200-LGC7-E00	0	F06	54610-LFE9-E00	0	F16
	52102-PWB1-900	1	E10	53205-LGN5-E00	0	F03	54620-LFE9-E00	0	F16
	52103-PWB1-900	2	F06	53250-PWB1-900	1	F06			
	52103-PWB1-900	2	F16	53251-LGN5-E00	1	F06	60000		
	52104-PWB1-900	2	F06	53254-LBA7-900	3	F06			
	52104-PWB1-900	2	F16	53261-PWB1-900	3	F06	60100-LGN5-E00	2	F05
	52108-PWB1-900	3	F06	53400-LGN5-E00	1	F06	60102-PWB1-900	1	F05
	52108-PWB1-900	3	F16	53410-PWB1-900	2	F06	60102-PWB1-900	1	F12
	52144-PWB1-900	2	F06	53450-LGN5-E00	2	F06	60130-LGC7-E00	1	F05
52144-PWB1-900	2	F16	53500-LGN5-E00	1	F06	60135-LGC7-E00	1	F05	
52400-LGN5-E00	0	F16	53550-LGN5-E00	2	F06	60140-LGC7-E00	0	F05	
53000			53600-KKAK-E0B	1	F20	60150-LFA5-E01	1	F05	
			53700-PWB1-900	6	F06	60160-LGC7-E00	1	F21	
			53702-PWB1-900	4	F06				
			53703-PWB1-900	4	F06	64000			
	53100-LGN5-E00	2	F03						
	53102-LGN5-E00	0	F03	54000					
	53104-PWB1-900	2	F03			64300-PWB1-910	1	F05	
	53105-PWB1-900	2	F03			64301-LGN5-Y00	2	F05	
	53131-PWB1-900	1	F03	54100-LFA5-E00	1	F21	64303-LGN5-E00	2	F05
	53166-LGN5-E00	2	F03	54400-PWB1-E00	2	F16	64304-LGN5-E01	1	F05
	53175-LFA5-E00	0	F04	54450-LGN5-E00	0	F16	64313-LGN5-E00	2	F05
	53178-PWA1-900	0	F04	54500-PWB1-E00	2	F16	64330-LFE9-E00	0	F05
53190-LDE9-E00	0	F04	54550-LGN5-E00	1	F16	64340-LFE9-E01	1	F05	

PART NO. INDEX

PART NO.	VERSION	PAGE	PART NO.	VERSION	PAGE	PART NO.	VERSION	PAGE
77000			81000			86533-LGC7-E61	0	F26
77200-LGN5-E00	2	F09	81200-LGC7-E60	0	F21	86543-LGC7-E61	2	F26
77202-LGN5-E00	1	F09				86553-LGC7-E61	2	F26
77206-KGBG-900	0	F09	83000			86623-LGC7-E61	2	F26
77206-LGN5-E00	1	F09				86633-LGC7-E61	2	F26
77206-PWB1-900	1	F05	83500-LGN5-E00	1	F12	86643-LGC7-E61	2	F26
77303-KFA6-900	1	F09	83510-LGN5-Y00	2	F12	86653-LGC7-E61	2	F26
77305-KFA6-900	0	F09	83600-LGN5-E00	1	F12	86663-LGC7-E61	2	F26
			83610-LGN5-Y00	2	F12	86673-LGC7-E61	2	F26
80000			83620-LFA5-E00	0	F21	87000		
80100-LGN5-E00	0	F12	85000			87322-LBA7-E00	3	F25
80103-LGC7-E00	0	F12				87503-LGN5-900	1	F26
80130-PWB1-E00	2	F12	85100-LGC7-E60	0	F21	87505-LGN5-E01	0	F25
80300-LGN5-E01	1	F12	85102-LGC7-E00	1	F23	87514-LGN5-E02	0	F25
80305-LGN5-900	2	F12	85200-LFA5-600	2	F23	87515-LDB5-E01	2	F25
80306-LGN5-900	2	F12				87517-LDB5-E00	2	F25
80307-LGC7-E00	1	F12	86000			87701-LGN5-E60	1	F26
80308-LGC7-E00	1	F12				87702-LGN5-E60	1	F26
80330-LGN5-E01	1	F12	86102-LDB5-900	1	F26	87703-LGN5-E60	1	F26
80340-LGN5-E01	1	F12	86102-LDB5-900	3	F26	87704-LGN5-E60	1	F26
			86302-LFA5-E00	2	F15	87705-LGN5-E60	1	F26
			86500-LGC7-E61	0	F26	87706-LGN5-E60	1	F26
			86523-LGC7-E61	0	F26			

PART NO. INDEX

PART NO.	VERSION	PAGE	PART NO.	VERSION	PAGE	PART NO.	VERSION	PAGE
88000			90110-PWA2-900	2	F03	90302-PWA1-900	2	F11
			90110-PWA2-900	2	F05	90302-PWA1-900	2	F12
			90110-PWA2-900	2	F12	90304-GLW0-90A	1	F06
88110-LDF3-E00	2	F03	90110-PWB1-900	1	F12	90304-GLW0-90A	1	F16
88120-LDF3-E00	2	F03	90111-KED9-900	0	F14	90304-GLW0-90A	1	F21
89000			90111-PWB1-900	3	F15	90304-PWB1-900	2	F06
			90112-KNBN-901	1	F11	90309-GLW0-90A	1	F13
			90112-KRDR-900	0	E01	90322-PWB1-900	3	E08
89010-LGN5-E00	1	F09	90113-KKA8-900	0	F04	90342-PWB1-900	3	E10
89020-KKC4-900	1	F09	90114-1F66-007	2	F04	90401-PTA1-900	0	E05
90000			90131-LDB5-E00	1	F07	90403-LFA5-900	2	F17
			90131-LDB5-E00	1	F08	90407-KAM1-001	0	E05
			90131-LFA5-E00	0	F08	90435-HCB3-001	0	E08
90002-KKAK-900	0	E05	90145-MKS9-61A	1	F04	90441-LBA2-E00	1	E10
90005-KEC8-900	1	E04	90164-0H28-900	2	F20	90446-PWB1-900	2	E08
90012-3C33-001	0	E03	90185-PWB1-900	2	F03	90451-LBA7-900	1	E08
90031-PWB1-900	5	E03	90202-PWB1-900	2	E08	90452-LBA7-900	1	E08
90033-KGB4-C00	0	E03	90203-PWB1-900	2	E10	90453-1G07-001	0	E08
90036-PWB1-900	4	E01	90204-PWB1-900	3	E10	90454-KED9-900	1	E08
90071-MLB0-001	0	E07	90205-LDB5-E00	3	E04	90455-LBA7-900	1	E08
90081-PWB1-900	1	E01	90206-0A01-001	1	E03	90459-PWB1-900	3	E08
90084-KKE5-E00	3	E03	90301-6D34-671	1	F15	90461-PWB1-900	2	E03
90084-PWB1-900	3	E05	90301-LGN5-E00	0	F07	90461-PWB1-900	2	E05
9008A-PTA1-900	0	E05	90301-LGN5-E00	0	F08	90474-1G47-001	0	E07
90106-PWB1-900	1	F07	90302-GFY6-940	1	F10	90474-3C33-001	1	E02
90106-PWB1-900	1	F08	90302-LLB1-E00	2	F13	90474-3C33-001	1	E05

PART NO. INDEX

PART NO.	VERSION	PAGE	PART NO.	VERSION	PAGE	PART NO.	VERSION	PAGE
90474-7D04-000	0	E08	91002-PWB1-90A	1	E01			
90478-7L00-001	0	E05	91003-PWB1-900	0	E01	92000		
90481-0E35-001	0	E04	91004-PWB1-90D	1	E02			
90501-3L10-001	0	F15	91021-LDB5-E00	2	E06	92101-05012-0H	0	E05
90501-KNBN-901	0	E10	91021-PWB1-90B	1	E08	92101-05012-0H	0	E07
90505-4E25-001	0	F13	91104-PWB1-90A	1	E07	92101-06012-0HN	0	E03
90545-3L00-001	2	F04	91201-PWB1-90C	2	E02	92101-PWB1-900	1	F10
90545-3L00-001	2	F15	91202-KGB4-C00	1	E05	92900-06040-0E	2	E01
90561-PWB1-900	3	E03	91202-PWB1-900	1	E01	92900-PTA1-900	0	E03
90562-PWB1-900	1	E05	91209-PWB1-900	2	E05			
90652-LCA4-E00	1	F05	91251-PWB1-900	2	E01	93000		
90652-LCA4-E00	1	F12	91256-PWB1-900	3	E10			
90652-LDB5-900	2	F05	91302-5G67-004	0	E05	93401-04025-08	0	F20
90652-LDB5-900	2	F12	91302-PTA1-800	0	E03	93403-05012-08	0	E01
90652-LDB5-900	2	F21	91303-PWB1-900	1	E03	93403-PWB1-900	1	F14
90652-PWB1-900	1	F05	91304-PWB1-900	1	E06	93404-06012-06	0	F05
90652-PWB1-900	1	F15	91306-1E05-691	0	E04	93404-06012-06	0	F22
90656-KCBC-900	0	F20	91306-PTA1-900	2	E05	93404-06016-06	0	F01
90677-GAR1-004	1	F11	91307-0E35-001	0	E05	93404-06016-06	0	F05
90677-GAR1-004	1	F12	91307-PWB1-900	1	F21	93404-06016-06	0	F12
90701-LDB5-E00	4	E04	91309-4E25-004	0	E07	93404-06016-06	0	F21
90912-KFLF-00A	0	E02	91313-KED9-900	3	E05	93404-06016-06	0	F22
			91508-KGV7-67A	0	F19	93404-06020-06	1	F20
91000						93500-05012-08	0	E11
						93500-06025-0HN	1	E07
91002-PTA1-900	0	E01				93500-PWB1-900	2	E01

PART NO. INDEX

PART NO.	VERSION	PAGE	PART NO.	VERSION	PAGE	PART NO.	VERSION	PAGE
93500-PWB1-900	2	E02	94002-PWB1-900	3	E06	94101-06000	0	F14
93600-04012-1G	0	F04	94005-PWB1-900	2	E09	94101-06700	0	F14
93600-LDE9-E00	0	F04	94005-PWB1-900	2	F17	94101-08600	0	F03
93600-LEC1-E00	0	F08	94006-PWB1-900	2	F17	94101-PWB1-900	1	F06
93600-PWB1-900	2	E01	94011-PWB1-900	1	F07	94102-08000	5	F15
93890-LDB5-E00	0	F09	94011-PWB1-900	1	F08	94102-PWB1-900	1	F15
93891-04012-08	0	E11	94030-PTA1-800	0	E11	94103-08800	0	F15
93891-04014-06	0	E11	94050-05060	0	F18	94111-06800	0	E11
93891-04028-06	0	E11	94050-06060	0	E05	94111-06800	0	F14
93894-04022-08	1	F20	94050-06060	0	F04	94201-20120	0	F15
93903-34360	0	F05	94050-06060	0	F15	94201-25200	0	F06
93903-34360	0	F12	94050-06060	0	F22	94201-30400	0	F07
93903-34360	0	F18	94050-06080	0	E04	94201-30400	0	F08
93903-34360	0	F19	94050-06080	0	E08	94301-08060	0	F08
93903-35360	0	F02	94050-06080	0	E11	94301-08100	1	E01
93903-35360	0	F19	94050-06080	0	F19	94301-08120	0	E05
93903-45360	0	F22	94050-06080	0	F20	94301-08140	0	E03
93903-PWB1-900	1	F05	94050-08060	0	F21	94301-12200	1	E01
			94050-08080	0	E04	94301-12200	1	E02
94000			94050-08080	0	F14	94301-12200	1	E04
			94050-10080	0	E04	94301-12200	1	E05
94001-10080-0S	0	F15	94050-LDE9-E00	1	F12	94302-06025	0	E06
94001-LLB1-900	2	F15	94050-LDE9-E00	1	F20	94302-KKE5-E00	0	E01
94001-PWB1-800	0	F06	94050-PWA2-900	1	F05	94303-04065	0	E04
94001-PWB1-900	4	E06	94050-PWA2-900	1	F12	94303-04160	0	E07
94001-PWB1-900	4	F06	94052-PWB1-900	5	E06	94305-03161	0	E06

PART NO. INDEX

PART NO.	VERSION	PAGE	PART NO.	VERSION	PAGE	PART NO.	VERSION	PAGE
94401-16150	0	E04	95002-40950-08	0	E09	95701-08012-06	0	F15
94402-LFA5-900	1	E06	95002-40950-08	0	F17	95701-08012-06	0	F21
94510-10000	0	E07	95002-41250-00	0	F13	95701-08012-08	0	E02
94510-12000	0	E08	95002-70000	0	F22	95701-08012-08	0	E05
94510-14000	0	E05	95002-KED9-M30	1	F13	95701-08016-06	0	F16
94510-25000	0	E08	95002-KKD6-E05	0	E01	95701-08016-06	0	F21
94510-35150	0	E06	95005-PWB1-900	1	E09	95701-08016-08	0	F15
94510-PWB1-900	0	F06	95005-PWB1-900	1	F17	95701-08020-06	1	E10
94520-19000	2	E05	95007-LFA5-900	2	F17	95701-08020-06	1	F06
94520-32180	0	E02	95008-PWB1-900	5	E09	95701-08020-06	1	F22
94520-47000	0	E05	95111-PWB1-900	1	E10	95701-08040-08	0	E09
94520-55000	0	F06	95111-PWB1-900	1	F22	95701-08040-08	0	F17
94520-55000	0	F16	95112-PWB1-900	1	F22	95701-08050-08	0	E01
94540-06012	0	F15	95601-PWB1-900	2	E08	95701-08060-08	0	E01
94540-07017	1	E06	95701-06012-06	1	F04	95701-08085-08	0	E01
94540-50029	0	E11	95701-06012-06	1	F11	95701-08140-08	2	E05
94591-27000	0	F05	95701-06012-06	1	F20	95701-10020-06	0	F06
94601-PWB1-900	1	E04	95701-06012-06	1	F22	95701-LEC1-E00	0	F08
94611-PWB1-900	1	E08	95701-06015-08	0	E09	95701-PWB1-900	3	E04
94621-PWB1-900	1	E10	95701-06016-06	1	F20	95801-08055-08	0	F03
			95701-06016-08	0	E03	95801-08060-06	0	F06
95000			95701-06020-06	1	F23	95801-10030-06	0	F06
			95701-06022-06	1	F15	95801-10040-08	0	F06
95002-02070	0	F22	95701-06025-06	2	E08	95801-10040-08	0	F16
95002-02090	0	E09	95701-06025-08	0	E04	95801-10065-08	0	F16
95002-02100	0	F17	95701-06040-06	0	F04	95801-10085-06	1	F06

PART NO. INDEX

PART NO.	VERSION	PAGE	PART NO.	VERSION	PAGE	PART NO.	VERSION	PAGE
95801-10085-06	1	F16	96001-06035-08	0	E02	96130-PWB1-900	1	E10
95801-10095-06	0	F16	96001-06040-08	0	E02	96140-PWB1-900	1	E10
95801-10110-06	0	F21	96001-06040-08	0	E05	96150-PWB1-900	1	E05
95801-10185-06	0	F21	96001-06045-08	0	E01	96151-PWB1-900	2	F06
95802-PWB1-900	2	F06	96001-06045-08	0	E05	96151-PWB1-900	2	F16
95802-PWB1-900	2	F16	96001-06050-08	0	E05	96220-30198	0	E05
			96001-06060-06	0	E03	96220-40080	0	E08
96000			96001-06065-08	0	E05	96220-60100	0	E05
			96001-06070-08	0	E01	96600-LDB5-E00	1	E07
96001-06008-07	0	F14	96001-06070-08	0	E05			
96001-06010-00	0	E05	96001-06080-08	0	E02	98000		
96001-06016-08	0	E05	96001-06110-06	0	E03			
96001-06018-08	0	E03	96001-08016-08	0	F14	98059-57916-00	2	E03
96001-06018-08	0	E05	96001-08050-08	0	F13	98200-33000	0	F20
96001-06020-06	0	E03	96100-62040-00	0	E01	98200-41000	0	F20
96001-06020-08	0	E03	96100-62050-00	2	E01	98200-41500	0	F20
96001-06020-08	0	E05	96100-62070-00	0	E01			
96001-06020-08	0	F15	96100-63040-00	1	E01			
96001-06022-06	1	F04	96100-63040-00	1	E05			
96001-06025-08	0	E01	96100-63050-00	0	E09			
96001-06025-08	0	E03	96100-63050-00	0	F17			
96001-06025-08	0	E05	96100-68003-00	0	E05			
96001-06028-08N	0	E07	96110-PWB1-900	1	E10			
96001-06030-06	0	E03	96120-60080-00	0	F17			
96001-06030-08	0	E05	96120-60080-10	0	E09			
96001-06032-08N	0	E07	96120-PWB1-900	1	E01			