

PARTS CATALOGUE



ATV

LA70AL(FL)

MXU 400 (Utility)_On Road



Release Date : 2010/07/13
Print Date : 2010/08/05

ABOUT THIS PARTS LIST

- This parts list is compiled all service parts for model LA70AL(FL).
- Any difference between color chart and motorcycle will be revised according to motorcycle.
- The Mark:
 1. Marking "***" must add color code in the end before ordering parts.
 2. Marking "#" are parts with modification, Please find the details from e-Parts system.
- When modification or additions to this parts list are made a revised edition at an appropriate time.

CONTENTS

● ABOUT THIS PARTS LIST	1
● COLOR CHART OF LA70AL(FL)	3
● CONTENTS-ENGINE GROUP	9
● CONTENTS-FRAME GROUP	11
● ENGINE PARTS LIST	14
● FRAME PARTS LIST	66
● PART NO. INDEX	148

NO	MODEL			COLOR CHART OF LA70AL(FL)			
	PHOTO NO			NO. 1	NO. 2	NO. 3	NO. 4
	BASIC COLOR			Deep Blue	Red	Deep Green	Black
	CODE			Deep Blue	Red	Deep Green	Black
	PARTS NAME	PARTS NO.	VERSION	PB246SA	RR338SA	GG345SA	NH001SA
1	LEVER COMP BRAKE	46500-PWB1-900	3	MAS			
2	RACK REAR	77330-LFA5-E00	3				
3	RACK FRONT	77430-LFA5-E00	1				
4	BUMPER FRONT	85100-LFA5-E00	4				
5	CUSHION ASSY FR	51400-PWB1-900	6	MBS			
6	CUSHION ASSY RR	52400-PWB1-900	6				
7	A-ARM FRONT UPPER	53400-PWB1-900	5				
8	A-ARM FRONT LOWER	53450-PWB1-900	4				
9	A-ARM FRONT-UPPER	53500-PWB1-900	5				
10	A-ARM FRONT LOWER	53550-PWB1-900	4				
11	CONTROL ARM RH/LH	54400-PWB1-E00	2				
12	A-ARM RH LOWER	54450-LFA5-E00	1				
13	CONTROL ARM RH/LH	54500-PWB1-E00	2				
14	A-ARM LH LOWER	54550-LFA5-E00	1				
15	RIM COMP WHEEL	44705-LFA5-900	4	MCS			
16	SHIELD HEAT	17560-LGC7-E00	1	N1R			
17	TRAY ELECTRICAL	31605-PWB1-900	3				
18	PANEL SPLASH-RIGHT	60130-PWB1-910	1				
19	PANEL,SPLASH-LEFT	60140-PWB1-E01	1				
20	COVER WATERPROOF	60150-LFA5-E01	1				
21	MUDGUARD FRONT	60200-LFA5-E00	1				
22	PLATE SKID	64300-PWB1-910	1				
23	COVER FRONT	64301-LFA5-E00	2				
24	BUMPER FRONT	64302-LFA5-E01	1				
25	MUDGUARD R FLOOR	80121-LFA5-E01	1				
DATE OF STARTING-SALES							
DATE OF END-SALES							

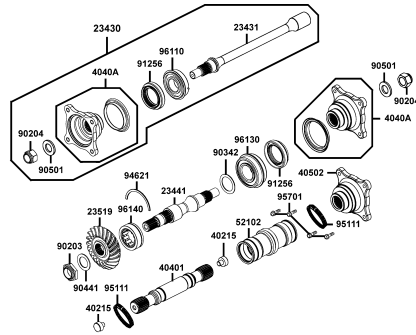
NO	MODEL			COLOR CHART OF LA70AL(FL)			
	PHOTO NO			NO. 5	NO. 6	NO. 7	
	BASIC COLOR			Yellow Ochre	Lime Green	Orange	
	CODE			Yellow Ochre	Lime Green	Orange	
	PARTS NAME	PARTS NO.	VERSION	YR160SA	GG144SA	YR375SA	
1	LEVER COMP BRAKE	46500-PWB1-900	3	MAS			
2	RACK REAR	77330-LFA5-E00	3				
3	RACK FRONT	77430-LFA5-E00	1				
4	BUMPER FRONT	85100-LFA5-E00	4				
5	CUSHION ASSY FR	51400-PWB1-900	6	MAS	MBS		
6	CUSHION ASSY RR	52400-PWB1-900	6				
7	A-ARM FRONT UPPER	53400-PWB1-900	5				
8	A-ARM FRONT LOWER	53450-PWB1-900	4				
9	A-ARM FRONT-UPPER	53500-PWB1-900	5				
10	A-ARM FRONT LOWER	53550-PWB1-900	4				
11	CONTROL ARM RH/LH	54400-PWB1-E00	2				
12	A-ARM RH LOWER	54450-LFA5-E00	1				
13	CONTROL ARM RH/LH	54500-PWB1-E00	2				
14	A-ARM LH LOWER	54550-LFA5-E00	1				
15	RIM COMP WHEEL	44705-LFA5-900	4	MCS			
16	SHIELD HEAT	17560-LGC7-E00	1	N1R			
17	TRAY ELECTRICAL	31605-PWB1-900	3				
18	PANEL SPLASH-RIGHT	60130-PWB1-910	1				
19	PANEL,SPLASH-LEFT	60140-PWB1-E01	1				
20	COVER WATERPROOF	60150-LFA5-E01	1				
21	MUDGUARD FRONT	60200-LFA5-E00	1				
22	PLATE SKID	64300-PWB1-910	1				
23	COVER FRONT	64301-LFA5-E00	2				
24	BUMPER FRONT	64302-LFA5-E01	1				
25	MUDGUARD R FLOOR	80121-LFA5-E01	1				
DATE OF STARTING-SALES							
DATE OF END-SALES							

NO	MODEL			COLOR CHART OF LA70AL(FL)			
	PHOTO NO			NO. 1	NO. 2	NO. 3	NO. 4
	BASIC COLOR			Deep Blue	Red	Deep Green	Black
	CODE			Deep Blue	Red	Deep Green	Black
	PARTS NAME	PARTS NO.	VERSION	PB246SA	RR338SA	GG345SA	NH001SA
26	MUDGUARD L FLOOR	80122-LFA5-E01	1	N1R			
27	COVER OIL LEVER	80125-LFA5-E01	1				
28	SHIELD REAR	80130-PWB1-E00	2				
29	COVER R SIDE	83500-LFA5-E01	1				
30	COVER L SIDE	83600-LFA5-E01	1				
31	CALIPER ASSY REAR	43100-LFA5-E00	2	NJA			
32	COVER TANK	17700-LFA5-E00	1	CHR	E4R	GWR	N1R
33	COVER BATTERY	50326-LFA5-E00	2				
34	COVER HANDLE	53205-LFA5-E00	3				
35	FENDER FRONT	60100-LFA5-E00	1				
36	FENDER REAR	80100-LFA5-E00	2				
37	SEAT ASSY	77200-LFA5-E00	2	T01			
38	EMB K-LOGO '28.5mm-	86102-LDB5-900	3				
39	SW LABEL	86182-LFA5-M30	1				
40	EMB GEAR REVERAL	86302-LFA5-E00	2				
41	CAUTION SHIFIT GEARS	87322-LBA7-E00	3				
42	LABEL TIRE ON ROAD	87505-LDB5-E01	1				
43	WARNING MAXIMUM	87514-LFA5-E02	1				
44	DRIVE WARNING LIST-	87515-LDB5-E01	2				
45	WARNING DRIVE AGE-	87517-LDB5-E00	2				
46	WARNING CARRIER	87556-LFA5-E00	1				
47	WARNING CARRIER	87556-LFA5-E01	1				
48	WARNING DECAL	87579-LFA5-E00	1				
49	STRIPE 4*4	86303-LFA5-M30	1	T01		T02	
50	STRIPE R FUEL TANK	86223-LFA5-E61	1	T02	T01	T02	
DATE OF STARTING-SALES							
DATE OF END-SALES							

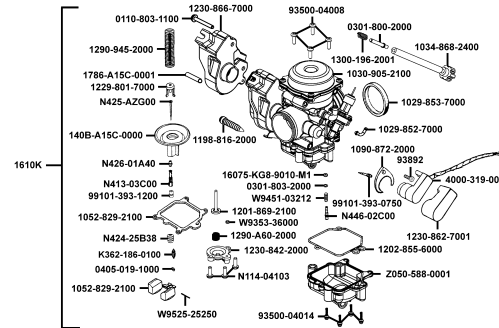
NO	MODEL			COLOR CHART OF LA70AL(FL)			
	PHOTO NO			NO. 5	NO. 6	NO. 7	
	BASIC COLOR			Yellow Ochre	Lime Green	Orange	
	CODE			Yellow Ochre	Lime Green	Orange	
	PARTS NAME	PARTS NO.	VERSION	YR160SA	GG144SA	YR375SA	
26	MUDGUARD L FLOOR	80122-LFA5-E01	1	N1R			
27	COVER OIL LEVER	80125-LFA5-E01	1				
28	SHIELD REAR	80130-PWB1-E00	2				
29	COVER R SIDE	83500-LFA5-E01	1				
30	COVER L SIDE	83600-LFA5-E01	1				
31	CALIPER ASSY REAR	43100-LFA5-E00	2	NJA			
32	COVER TANK	17700-LFA5-E00	1	YSR	Q2R	YUR	
33	COVER BATTERY	50326-LFA5-E00	2				
34	COVER HANDLE	53205-LFA5-E00	3				
35	FENDER FRONT	60100-LFA5-E00	1				
36	FENDER REAR	80100-LFA5-E00	2				
37	SEAT ASSY	77200-LFA5-E00	2	T01			
38	EMB K-LOGO '28.5mm-	86102-LDB5-900	3				
39	SW LABEL	86182-LFA5-M30	1				
40	EMB GEAR REVERAL	86302-LFA5-E00	2				
41	CAUTION SHIFIT GEARS	87322-LBA7-E00	3				
42	LABEL TIRE ON ROAD	87505-LDB5-E01	1				
43	WARNING MAXIMUM	87514-LFA5-E02	1				
44	DRIVE WARNING LIST-	87515-LDB5-E01	2				
45	WARNING DRIVE AGE-	87517-LDB5-E00	2				
46	WARNING CARRIER	87556-LFA5-E00	1				
47	WARNING CARRIER	87556-LFA5-E01	1				
48	WARNING DECAL	87579-LFA5-E00	1				
49	STRIPE 4*4	86303-LFA5-M30	1				
50	STRIPE R FUEL TANK	86223-LFA5-E61	1				
DATE OF STARTING-SALES							
DATE OF END-SALES							

CONTENTS - ENGINE GROUP

E10 Shaft Drive Front

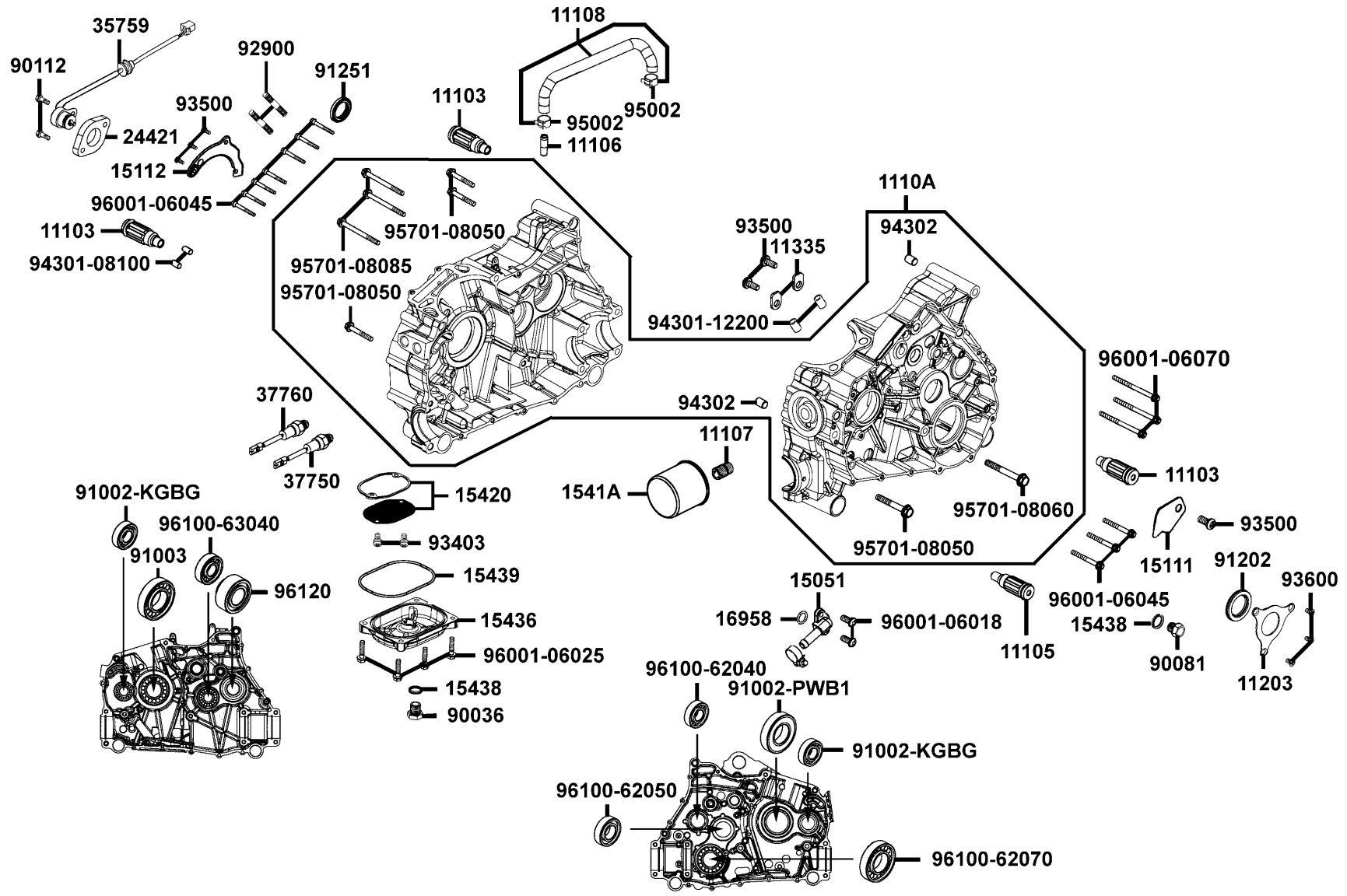


E11 Carburetor



E01

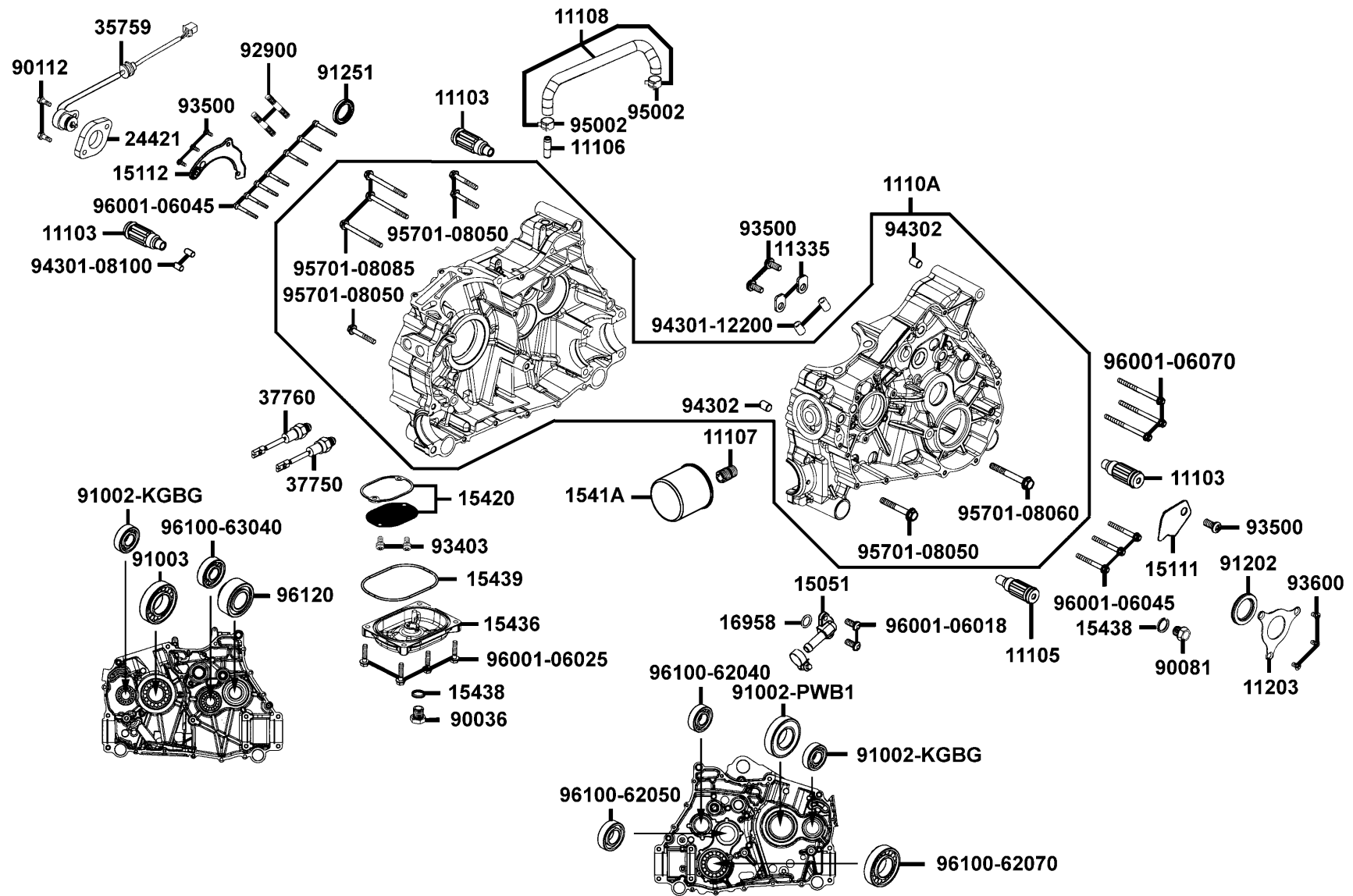
Right Crank Case



Sales mark	Ref no	Part no	Description	Reg description	Regd no	E01
11103		11103-PWB1-900	BUSH ENG HANGER	BUSH ENG HANGER	3	
11105		11105-PWB1-900	LONG RUB BUSH ENG HANGER	LONG RUB BUSH ENG HANGER	1	
11106		11106-PWB1-900	PIPE BREATHER	PIPE BREATHER	1	
11107		11107-PWB1-900	PIPE OIL	PIPE OIL	1	
11108		11108-PWB1-900	HOSE CRANK CASE VENT	HOSE CRANK CASE VENT	1	
1110A		1110A-PWB1-900	CRANK CASE COMP RIGHT	CRANK CASE COMP RIGHT	1	
11203		11203-PWB1-900	RETAINER CRANKSHAFT OIL SEAL	RETAINER CRANKSHAFT OIL SEAL	1	
11335		11335-PWB1-900	RETAINER BEARING	RETAINER BEARING	2	
15051		15051-PWB1-900	FITTING OIL	FITTING OIL	1	
15111		15111-PWB1-900	PLATE OIL GUIDE LEFT	PLATE OIL GUIDE LEFT	1	
15112		15112-PWB1-900	PLATE OIL GUIDE RIGHT	PLATE OIL GUIDE RIGHT	1	
1541A		1541A-PWB1-900	ELEMENT COMP OIL FILTER	ELEMENT COMP OIL FILTER	1	
15420		15420-PWB1-900	STRAINER OIL	STRAINER OIL	1	
15436		15436-PWB1-900	CAP OIL STRAINER	CAP OIL STRAINER	1	
15438		15438-PWB1-900	GASKET METAL COMPRESSION	GASKET METAL COMPRESSION	2	
15439		15439-PWB1-900	GASKET MOLDED-OIL STRAINER CAP	GASKET MOLDED-OIL STRAINER CAP	1	
16958		16958-KHB4-900	O-RING 10.77x2.62	O-RING 10.77x2.62	1	
24421		24421-PWB1-900	SPACER SHIFT SENSOR	SPACER SHIFT SENSOR	1	
35759		35759-PWB1-900	SW ASSY GEAR CHANGE	SW ASSY GEAR CHANGE	1	
37750		37750-PWB1-900	THERMO UNIT ASSY	THERMO UNIT ASSY	1	

E01

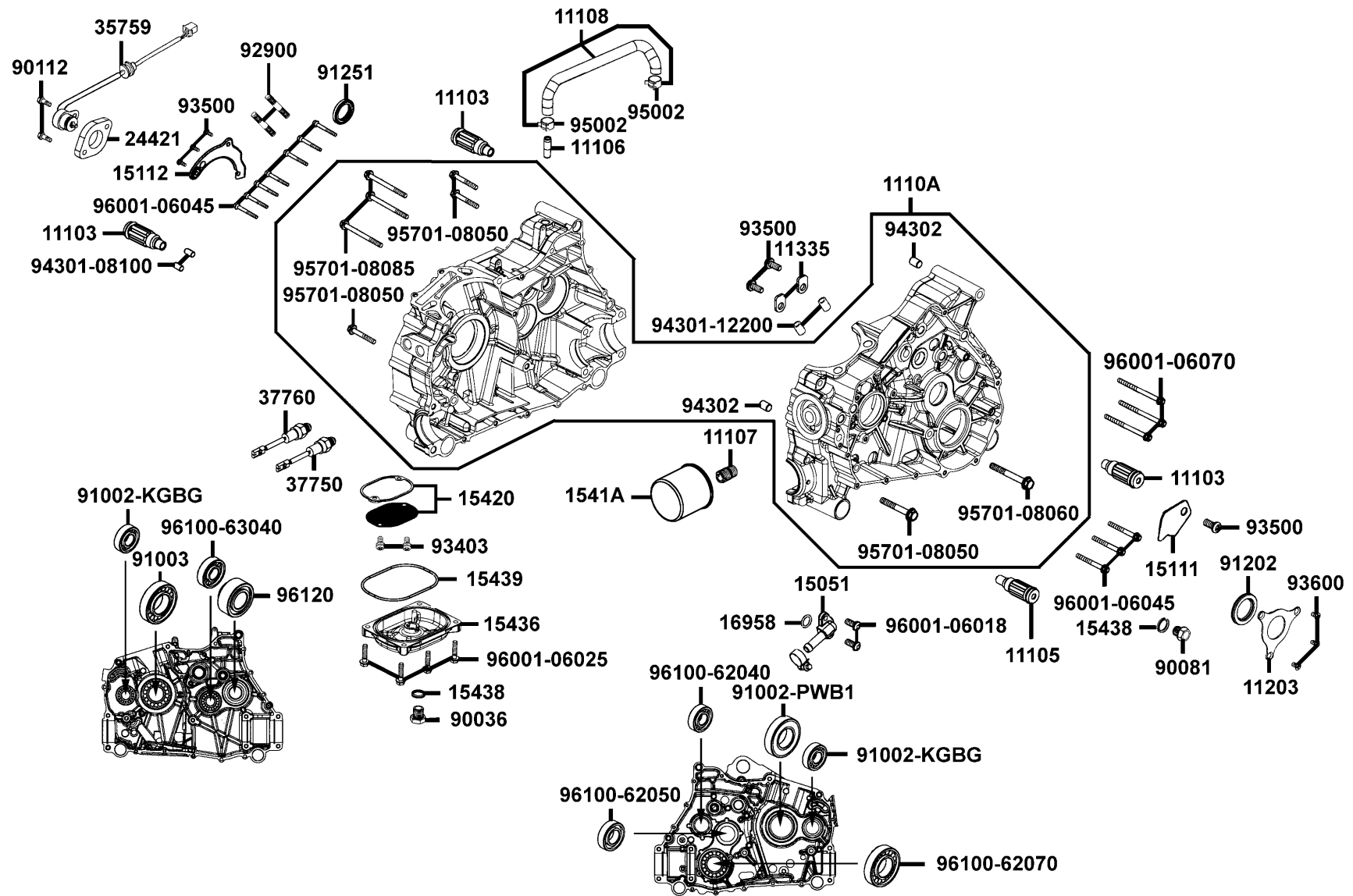
Right Crank Case



Sales mark	Ref no	Part no	Description	Reg description	Regd no	E01
	37760	37760-PWB1-900	SW ASS'Y THERMO	SW ASS'Y THERMO	1	
	90036	90036-PWB1-900	BOLT ASSY DRAIN PLUG	BOLT ASSY DRAIN PLUG	1	
	90081	90081-PWB1-900	PLUG CASE 12X14	PLUG CASE 12X14	1	
	90112	90112-KRDR-900	BOLT FLANGE 5*22	BOLT FLANGE 5*22	2	
	91002-KGBG	91002-KGBG-90B	BRG BALL RADIAL TMB204	BRG BALL RADIAL TMB204	2	
	91002-PWB1	91002-PWB1-90A	BRG BALL RADIL 6207LUAC3	BRG BALL RADIL 6207LUAC3	1	
	91003	91003-PWB1-900	BRG RADIAL BALL 6207-9C3	BRG RADIAL BALL 6207-9C3	1	
	91202	91202-PWB1-900	OIL SEAL 34X52X6	OIL SEAL 34X52X6	1	
	91251	91251-PWB1-900	OIL SEAL 30X44X7	OIL SEAL 30X44X7	1	
	92900	92900-06040-0E	BOLT STUD 6*40	BOLT STUD 6*40	2	
	93403	93403-05012-08	BOLT-WASH 5X12	BOLT-WASH 5X12	2	
	93500	93500-PWB1-900	SCREW PAN 6X14 (C)	SCREW PAN 6X14 (C)	6	
	93600	93600-PWB1-900	SCREW FLAT 6X16(C)	SCREW FLAT 6X16(C)	3	
	94301-08100	94301-08100	DOWEL PIN 8*10	DOWEL PIN 8*10	2	
	94301-12200	94301-12200	DOWEL PIN 12*20	DOWEL PIN 12*20	2	
	94302	94302-KKE5-E00	12 DOWEL PIN R/L CASE	12 DOWEL PIN R/L CASE	2	
	95002	95002-KKD6-E05	CLAMP D18 TUBE	CLAMP D18 TUBE	2	
	95701-08050	95701-08050-08	BOLT FLANGE 8*50	BOLT FLANGE 8*50	4	
	95701-08060	95701-08060-08	BOLT FLANGE 8*60	BOLT FLANGE 8*60	1	
	95701-08085	95701-08085-08	BOLT FLANGE 8*85	BOLT FLANGE 8*85	3	

E01

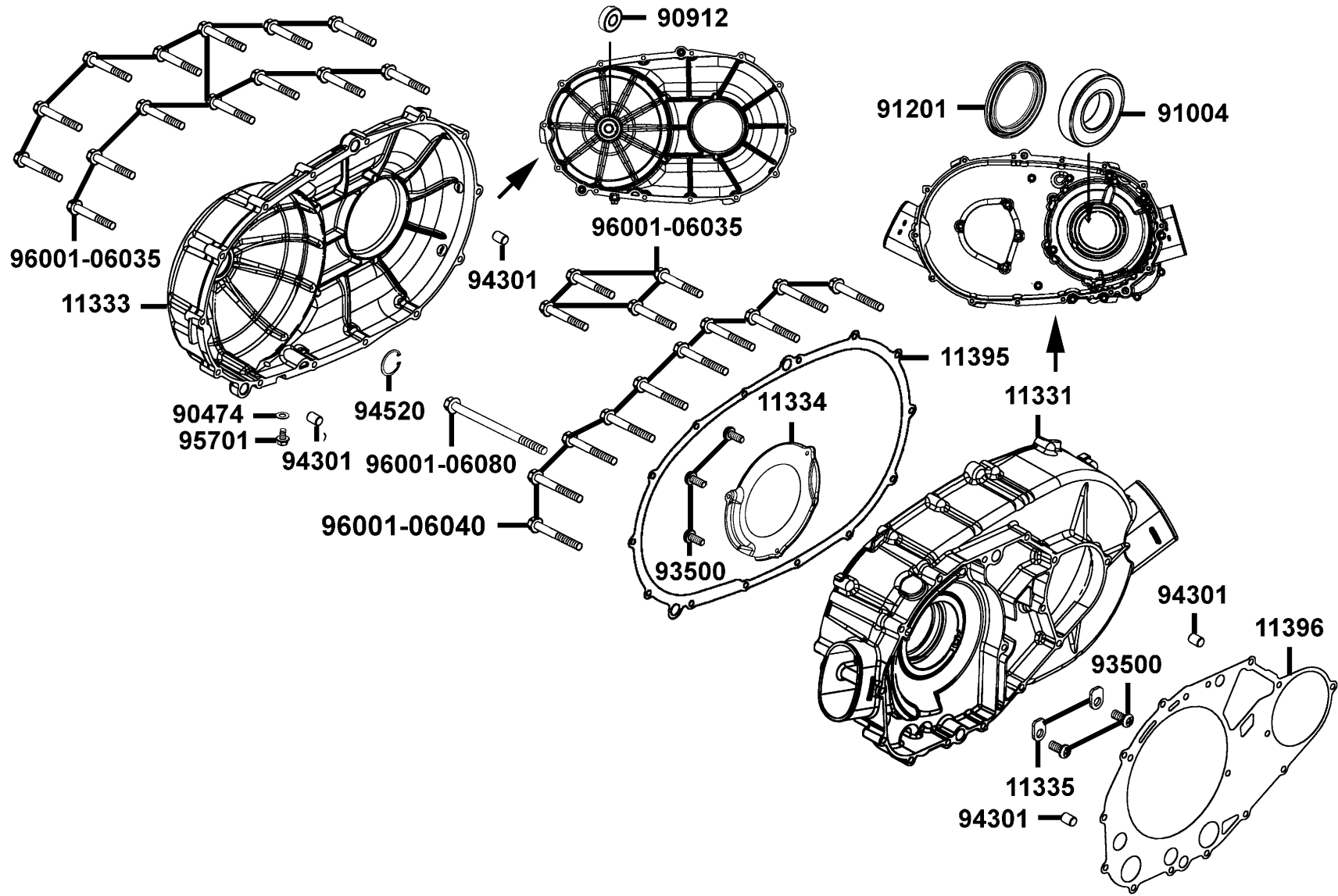
Right Crank Case



Sales mark	Ref no	Part no	Description	Reg description	Regd no	E01
	96001-06018	96001-06018-08	BOLT FLANGE SH 6*18	BOLT FLANGE SH 6*18	2	
	96001-06025	96001-06025-08	BOLT FLANGE SH 6*25	BOLT FLANGE SH 6*25	4	
	96001-06045	96001-06045-08	BOLT FLANGE SH 6*45	BOLT FLANGE SH 6*45	10	
	96001-06070	96001-06070-08	BOLT FLANGE SH 6*70	BOLT FLANGE SH 6*70	3	
	96100-62040	96100-62040-00	BRG BALL RADIAL 6204	BRG BALL RADIAL 6204	1	
	96100-62050	96100-62050-00	BEARING BALL RADIAL 6205	BEARING BALL RADIAL 6205	1	
	96100-62070	96100-62070-00	BRG RADIAL BALL 6207	BRG RADIAL BALL 6207	1	
	96100-63040	96100-63040-00	BRG BALL RADIAL 6304	BRG BALL RADIAL 6304	1	
	96120	96120-PWB1-900	BEARING BALL D/R 30X62X23.8	BEARING BALL D/R 30X62X23.8	1	

E02

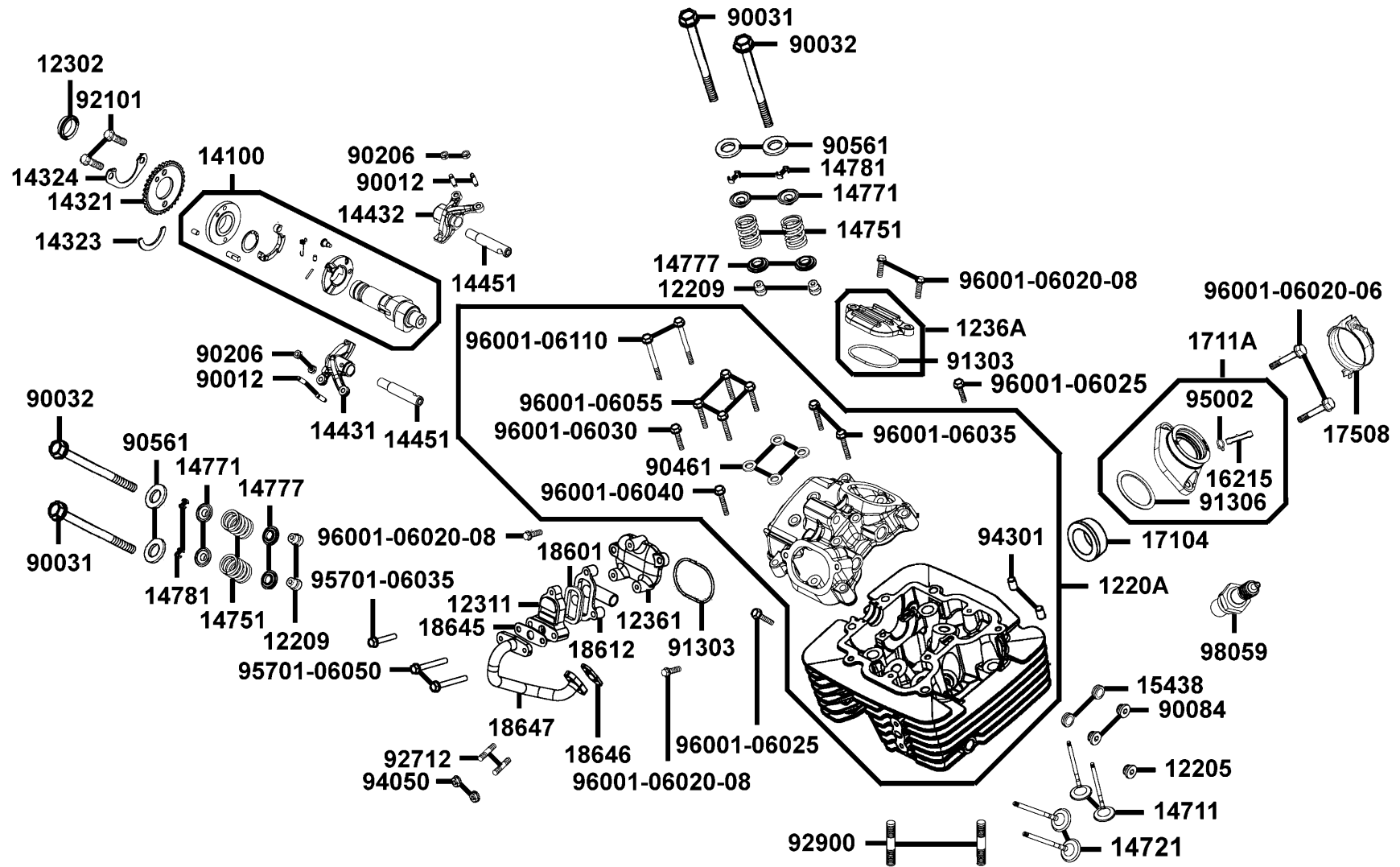
Cover Right Crank Case



Sales mark	Ref no	Part no	Description	Reg description	Regd no	E02
	11331	11331-PWB1-900	COVER R CRANK CASE	COVER R CRANK CASE	1	
	11333	11333-LFA5-900	COVER R COVER	COVER R COVER	1	
	11334	11334-PWB1-900	PLATE AIR INTAKE	PLATE AIR INTAKE	1	
	11335	11335-PWB1-900	RETAINER BEARING	RETAINER BEARING	2	
	11395	11395-PWB1-900	GASKET R COVER	GASKET R COVER	1	
	11396	11396-PWB1-900	GASKET R COVER	GASKET R COVER	1	
	90474	90474-3C33-001	WASHER 8MM	WASHER 8MM	1	
	90912	90912-KFLF-00A	BEARING 6201 LLU	BEARING 6201 LLU	1	
	91004	91004-PWB1-90D	BRG BALL RADIL 6208RUEF-1	BRG BALL RADIL 6208RUEF-1	1	
	91201	91201-PWB1-90C	OIL SEAL 54X70X8	OIL SEAL 54X70X8	1	
	93500	93500-PWB1-900	SCREW PAN 6X14 (C)	SCREW PAN 6X14 (C)	5	
	94301	94301-12200	DOWEL PIN 12*20	DOWEL PIN 12*20	4	
	94520	94520-32180	CIR CLIP IN 32	CIR CLIP IN 32	1	
	95701	95701-08012-08	BOLT FLANGE 8*12	BOLT FLANGE 8*12	1	
	96001-06035	96001-06035-08	BOLT FLANGE 6*35	BOLT FLANGE 6*35	18	
	96001-06040	96001-06040-08	BOLT FLANGE 6*40	BOLT FLANGE 6*40	10	
	96001-06080	96001-06080-08	BOLT FLANGE SH 6*80	BOLT FLANGE SH 6*80	1	

E03

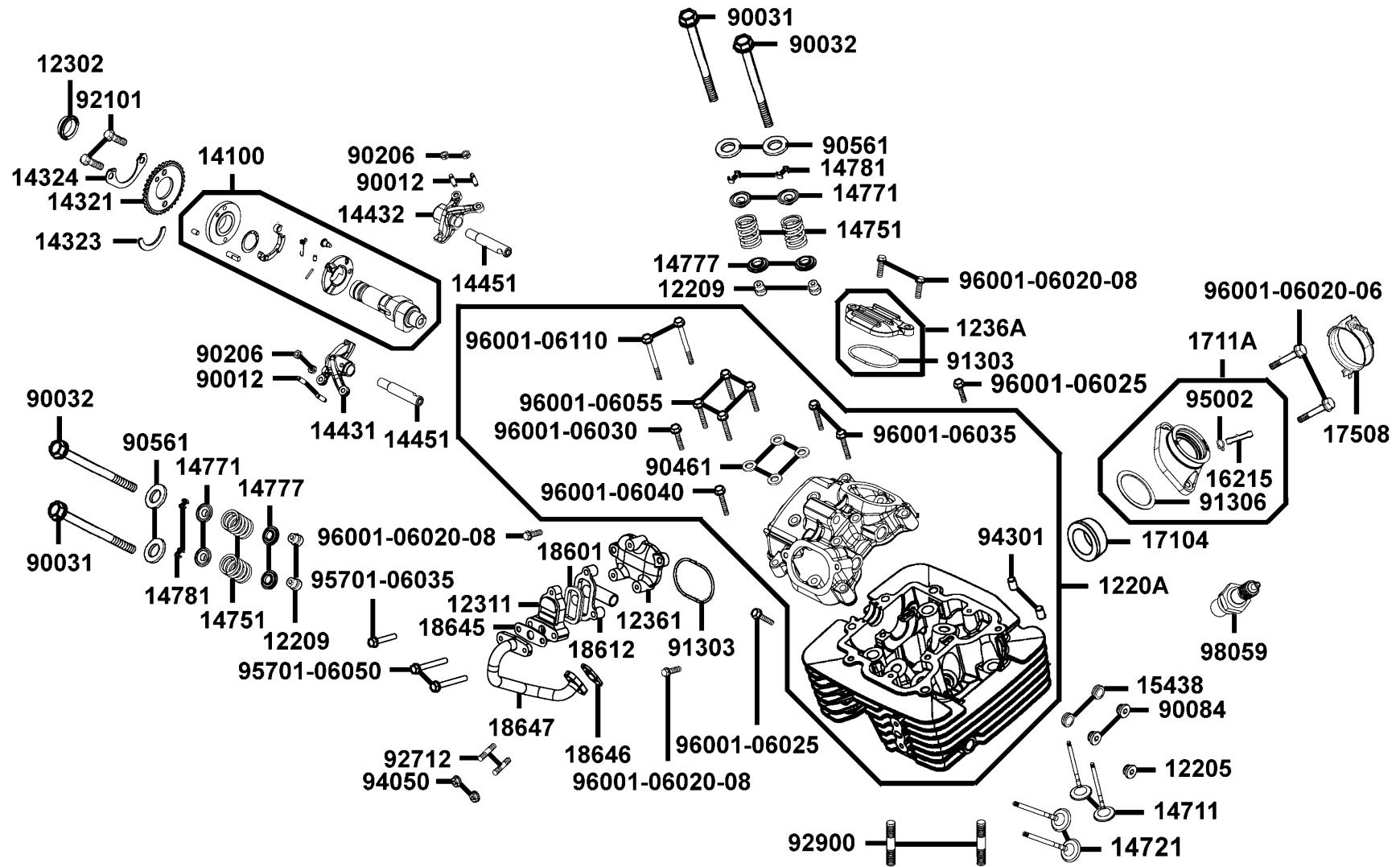
Cylinder Head Cover Cylinder Head



Sales mark	Ref no	Part no	Description	Reg description	Regd no	E03
	12205	12205-KHE8-301	BOLT SEALING 12MM	BOLT SEALING 12MM	1	
	12209	12209-PWB1-900	SEAL VALVE STEM	SEAL VALVE STEM	4	
	1220A	1220A-LFA5-E00	HEAD ASSY CYLINDER	HEAD ASSY CYLINDER	1	
	12302	12302-PWB1-900	PLUG HEAD	PLUG HEAD	1	
	12311	12311-LFA5-E00	BODY REED VALVE	BODY REED VALVE	1	
	12361	12361-LFA5-E00	CAP VALVE INSPECTION	CAP VALVE INSPECTION	1	
	1236A	1236A-PWB1-900	CAP ASSY TAPPET ADJUSTING HOLE	CAP ASSY TAPPET ADJUSTING HOLE	1	
	14100	14100-PWB1-910	SHAFT COMP CAM	SHAFT COMP CAM	1	
	14321	14321-PWB1-900	SPROCKET CAM	SPROCKET CAM	1	
	14323	14323-PWB1-900	C-RING CAM RETAINER	C-RING CAM RETAINER	1	
	14324	14324-PWB1-900	WASHER LOCK AMSHAFT	WASHER LOCK AMSHAFT	1	
	14431	14431-PWB1-900	ARM VALVE ROCKER	ARM VALVE ROCKER	1	
	14432	14432-PWB1-900	ARM EX VALVE ROCKER	ARM EX VALVE ROCKER	1	
	14451	14451-PWB1-900	ROCKER ARM SHAFT INTAKE	ROCKER ARM SHAFT INTAKE	2	
	14711	14711-PWB1-900	VALVE INTAKE	VALVE INTAKE	2	
	14721	14721-PWB1-900	VALVE EXHAUST	VALVE EXHAUST	2	
	14751	14751-PWB1-900	SPRING VALVE	SPRING VALVE	4	
	14771	14771-PWB1-900	RETAINER UPPER SPRING	RETAINER UPPER SPRING	4	
	14777	14777-PWB1-900	SEAT VALVE SPRING	SEAT VALVE SPRING	4	
	14781	14781-MFA6-001	COTTER VALVE	COTTER VALVE	8	

E03

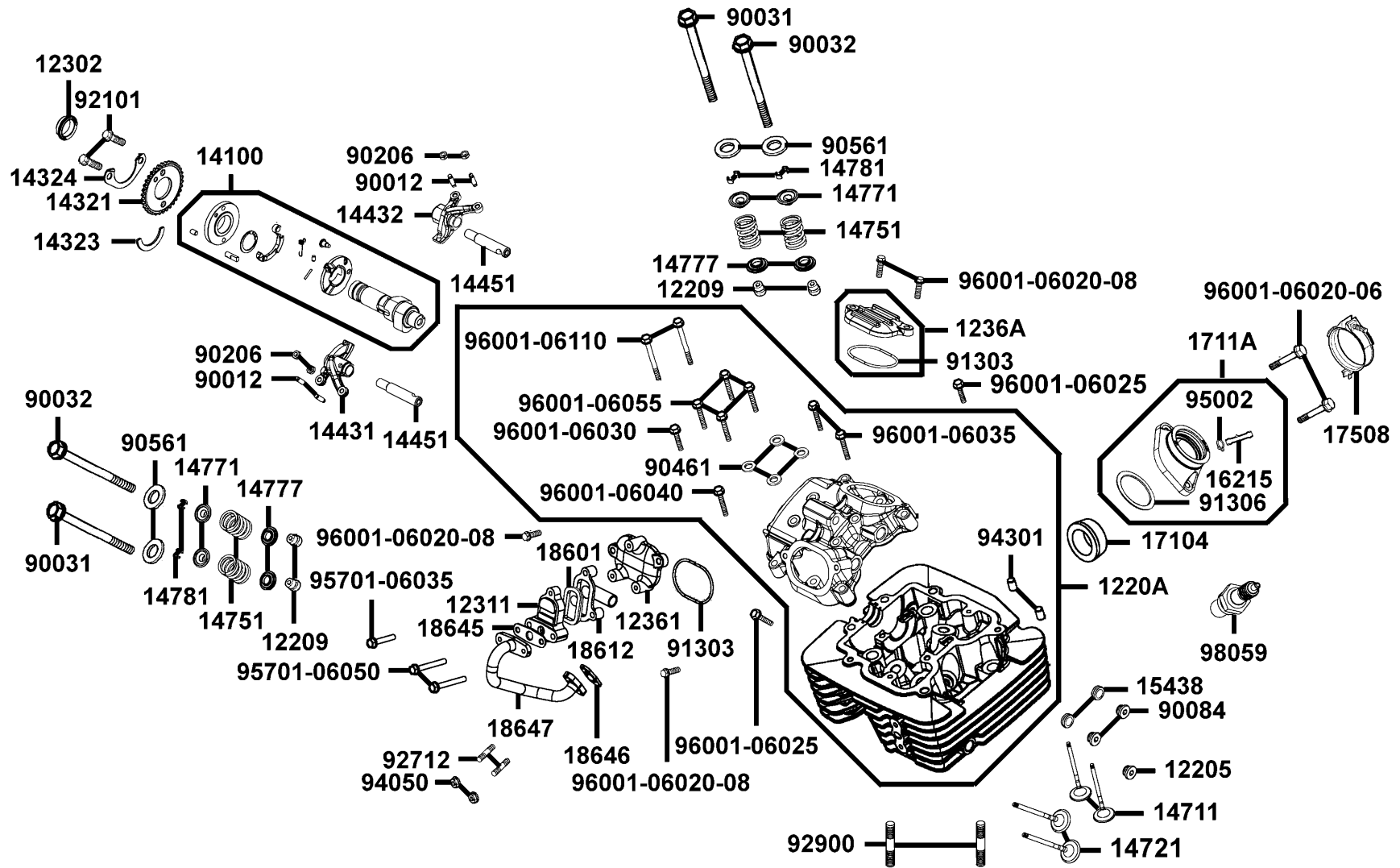
Cylinder Head Cover Cylinder Head



Sales mark	Ref no	Part no	Description	Reg description	Regd no	E03
	15438	15438-PWB1-900	GASKET METAL COMPRESSION	GASKET METAL COMPRESSION	2	
	16215	16215-LFA5-E00	JOINT	JOINT	1	
	17104	17104-LFA5-E00	SOCKET INLET PIPE	SOCKET INLET PIPE	1	
	1711A	1711A-LFA5-E00	PIPE ASSY INLET	PIPE ASSY INLET	1	
	17508	17508-PWB1-900	CLAMP D56	CLAMP D56	1	
	18601	18601-KBE2-900	REED VALVE COMP LDV 52*27*6.0	REED VALVE COMP LDV 52*27*6.0	1	
	18612	18612-KFB5-900	COVER REED VALVE	COVER REED VALVE	1	
	18645	18645-LBA2-E00	GASKET A/I PIPE	GASKET A/I PIPE	1	
	18646	18646-GFY6-941	GAKT A/I PIPE	GAKT A/I PIPE	1	
	18647	18647-LFA5-E00	PIPE COMP AIR	PIPE COMP AIR	1	
	90012	90012-3C33-001	SCREW TAPPET ADJUSTING	SCREW TAPPET ADJUSTING	4	
	90031	90031-PWB1-900	BOLT UBS 10x170	BOLT UBS 10x170	2	
	90032	90032-PWB1-900	BOLT UBS 10x180	BOLT UBS 10x180	2	
	90084	90084-KKE5-E00	CAP OIL CHANNEL	CAP OIL CHANNEL	2	
	90206	90206-0A01-001	NUT TAPPET ADJG	NUT TAPPET ADJG	4	
	90461	90461-PWB1-900	WASHER SEALING	WASHER SEALING	4	
	90561	90561-PWB1-900	WASHER 21X10X2.2	WASHER 21X10X2.2	4	
	91303	91303-PWB1-900	ORING INSPECTION CAP	ORING INSPECTION CAP	2	
	91306	91306-PWB1-900	O-RING INTAKE MANIFOLD	O-RING INTAKE MANIFOLD	1	
	92101	92101-06012-OHN	BOLT HEX 6X12	BOLT HEX 6X12	2	

E03

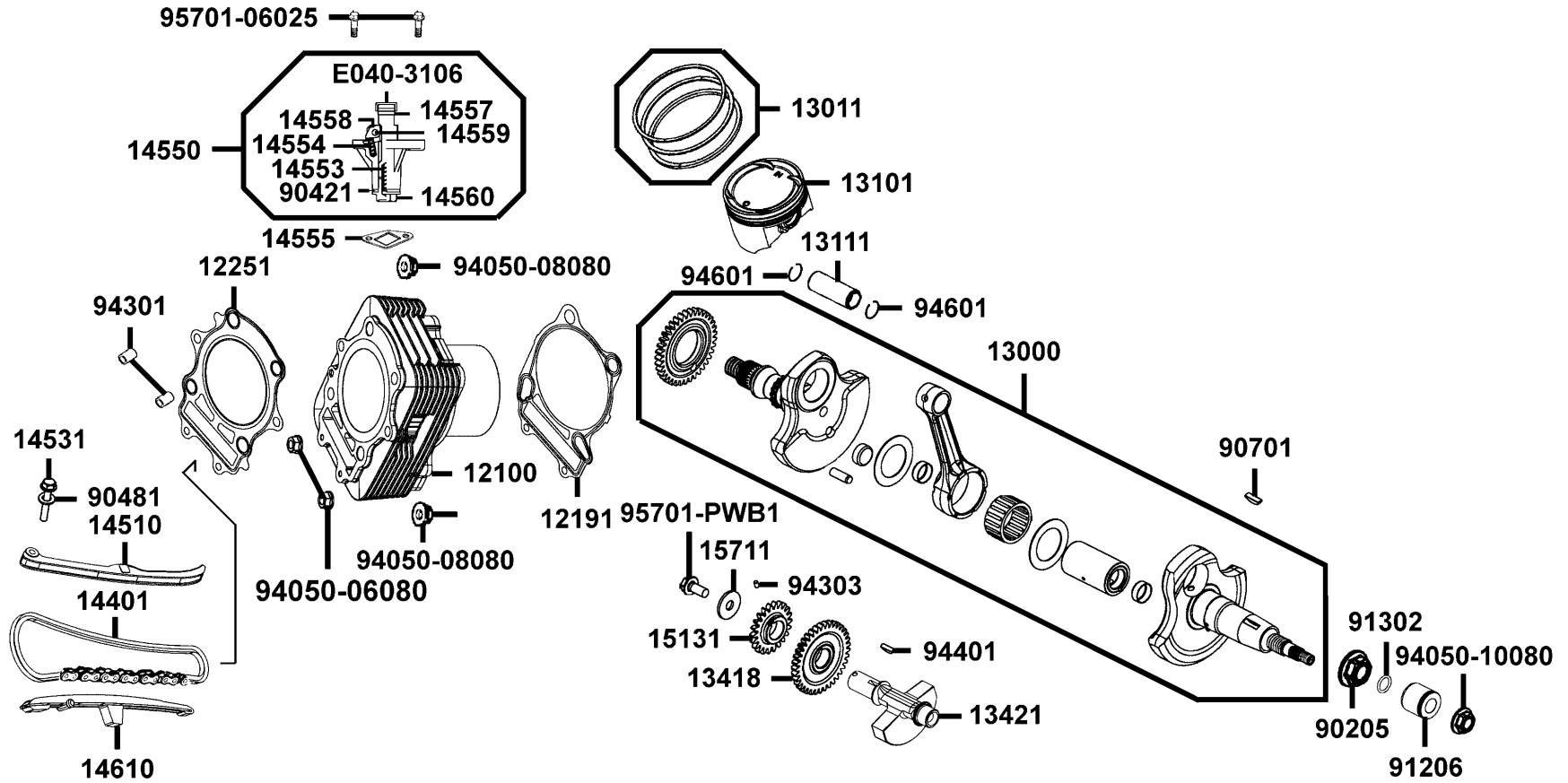
Cylinder Head Cover Cylinder Head



Sales mark	Ref no	Part no	Description	Reg description	Regd no	E03
	92712	92712-06028-0B	BOLT STUD 6*28	BOLT STUD 6*28	2	
	92900	92900-08046-0B	BOLT STUD 8X46	BOLT STUD 8X46	2	
	94050	94050-06080	NUT FLANGE 6MM	NUT FLANGE 6MM	2	
	94301	94301-08140	DOWEL PIN 8*14	DOWEL PIN 8*14	2	
	95002	95002-02070	CLIP B7 TUBE	CLIP B7 TUBE	1	
	95701-06035	95701-06035-08	BOLT FLANGE SH 6*35	BOLT FLANGE SH 6*35	1	
	95701-06050	95701-06050-08	BOLT FLANGE 6*50	BOLT FLANGE 6*50	2	
	96001-06020-06	96001-06020-06	BOLT FLANGE 6*20	BOLT FLANGE 6*20	2	
	96001-06020-08	96001-06020-08	BOLT FLANGE SH 6*20	BOLT FLANGE SH 6*20	4	
	96001-06025	96001-06025-08	BOLT FLANGE SH 6*25	BOLT FLANGE SH 6*25	2	
	96001-06030	96001-06030-08	BOLT FLANGE SH 6*30	BOLT FLANGE SH 6*30	1	
	96001-06035	96001-06035-08	BOLT FLANGE 6*35	BOLT FLANGE 6*35	2	
	96001-06040	96001-06040-08	BOLT FLANGE 6*40	BOLT FLANGE 6*40	1	
	96001-06055	96001-06055-08	BOLT FLANGE SH 6*55	BOLT FLANGE SH 6*55	4	
	96001-06110	96001-06110-08	BOLT FLANGE SH 6*110	BOLT FLANGE SH 6*110	2	
	98059	98059-58916-00	PLUG SPARK(CR8E)	PLUG SPARK(CR8E)	1	

E04

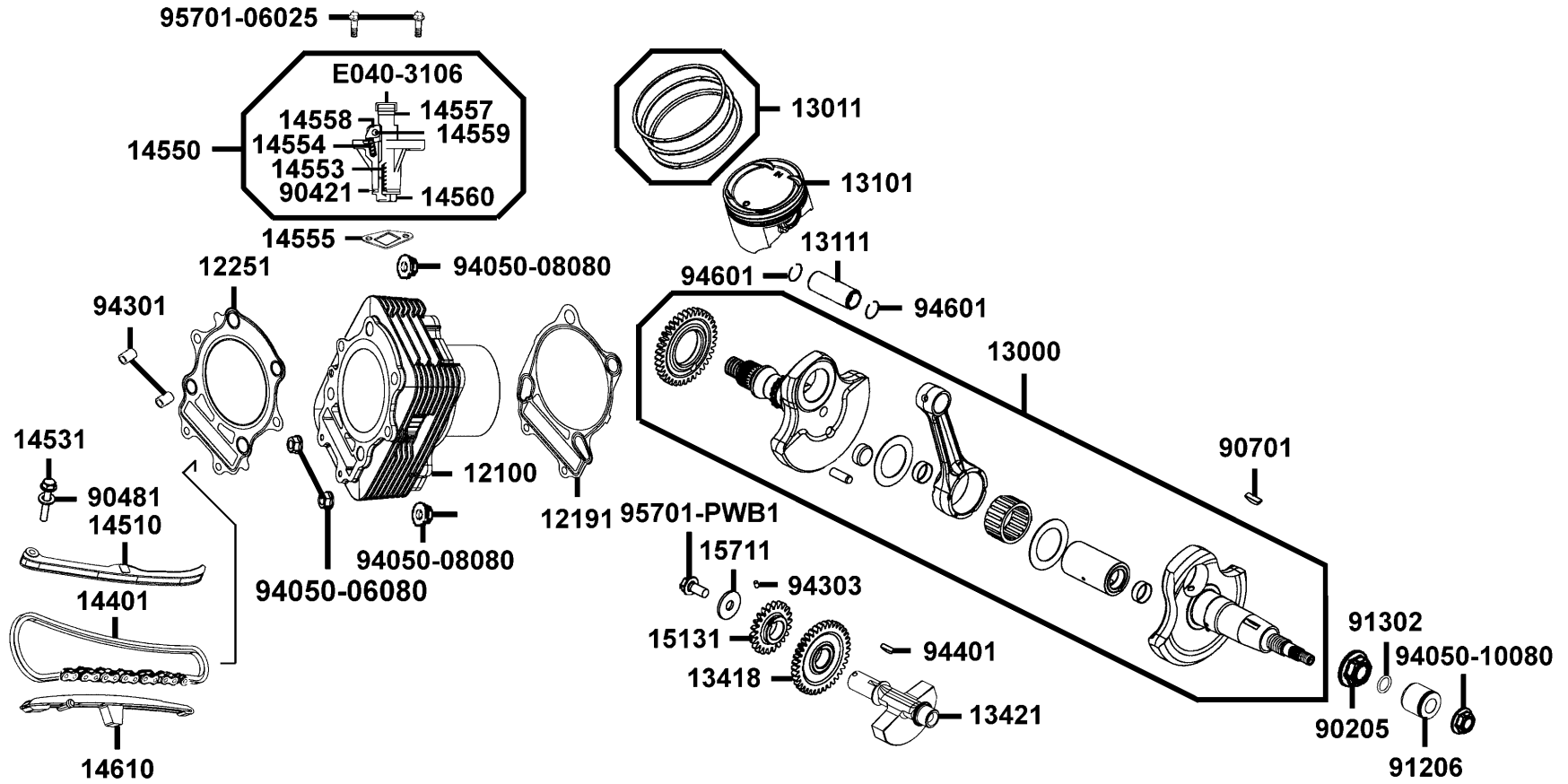
Cylinder Piston Crankshaft



Sales mark	Ref no	Part no	Description	Reg description	Regd no	E04
12100		12100-PWB1-900	CYLINDER COMP	CYLINDER COMP	1	
12191		12191-PWB1-900	GASKET CYLINDER	GASKET CYLINDER	1	
12251		12251-PWB1-900	GASKET CYLINDER HEAD	GASKET CYLINDER HEAD	1	
13000		13000-PWB1-900	CRANK SHAFT COMP	CRANK SHAFT COMP	1	
13011		13011-PWB1-900	RING SET PISTON	RING SET PISTON	1	
13101		13101-PWB1-900	PISTON	PISTON	1	
13111		13111-PWB1-900	PIN PISTON	PIN PISTON	1	
13418		13418-PWB1-900	GEAR A BALANCER SHAFT	GEAR A BALANCER SHAFT	1	
13421		13421-PWB1-900	SHAFT BALANCER	SHAFT BALANCER	1	
14401		14401-PWB1-900	CHAIN CAM	CHAIN CAM	1	
14510		14510-PWB1-900	TENSIONER CAM CHAIN	TENSIONER CAM CHAIN	1	
14531		14531-PWB1-900	PIVOT TENSION GUIDE	PIVOT TENSION GUIDE	1	
14550		14550-LBA2-E00	ADJUSTER CAM CHAIN	ADJUSTER CAM CHAIN	1	
14553		14553-LBA2-E00	SPRING CAM CHAIN ADJUSTER	SPRING CAM CHAIN ADJUSTER	1	
14554		14554-KAM1-004	SPRING RATCHET	SPRING RATCHET	1	
14555		14555-LBA2-E00	GASKET CAM CHAIN ADJUSTER	GASKET CAM CHAIN ADJUSTER	1	
14557		14557-LBA2-E00	PLUNGER ADJUSTER	PLUNGER ADJUSTER	1	
14558		14558-LBA2-E00	CAM ADJUSTER	CAM ADJUSTER	1	
14559		14559-LBA2-E00	PIN ADJUSTER	PIN ADJUSTER	1	
14560		14560-LBA2-E00	PLUG COMP ADJUSTER	PLUG COMP ADJUSTER	1	

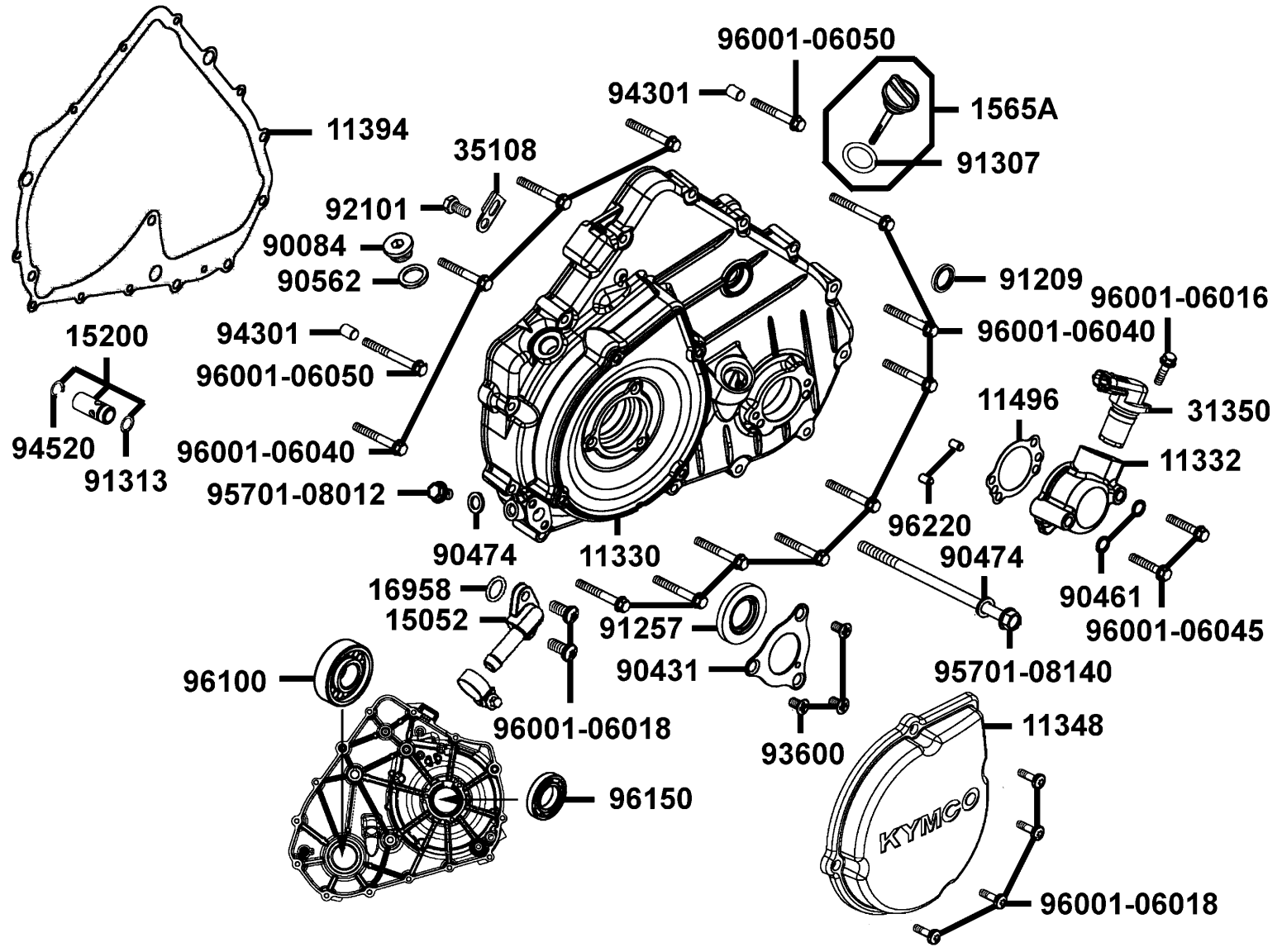
E04

Cylinder Piston Crankshaft



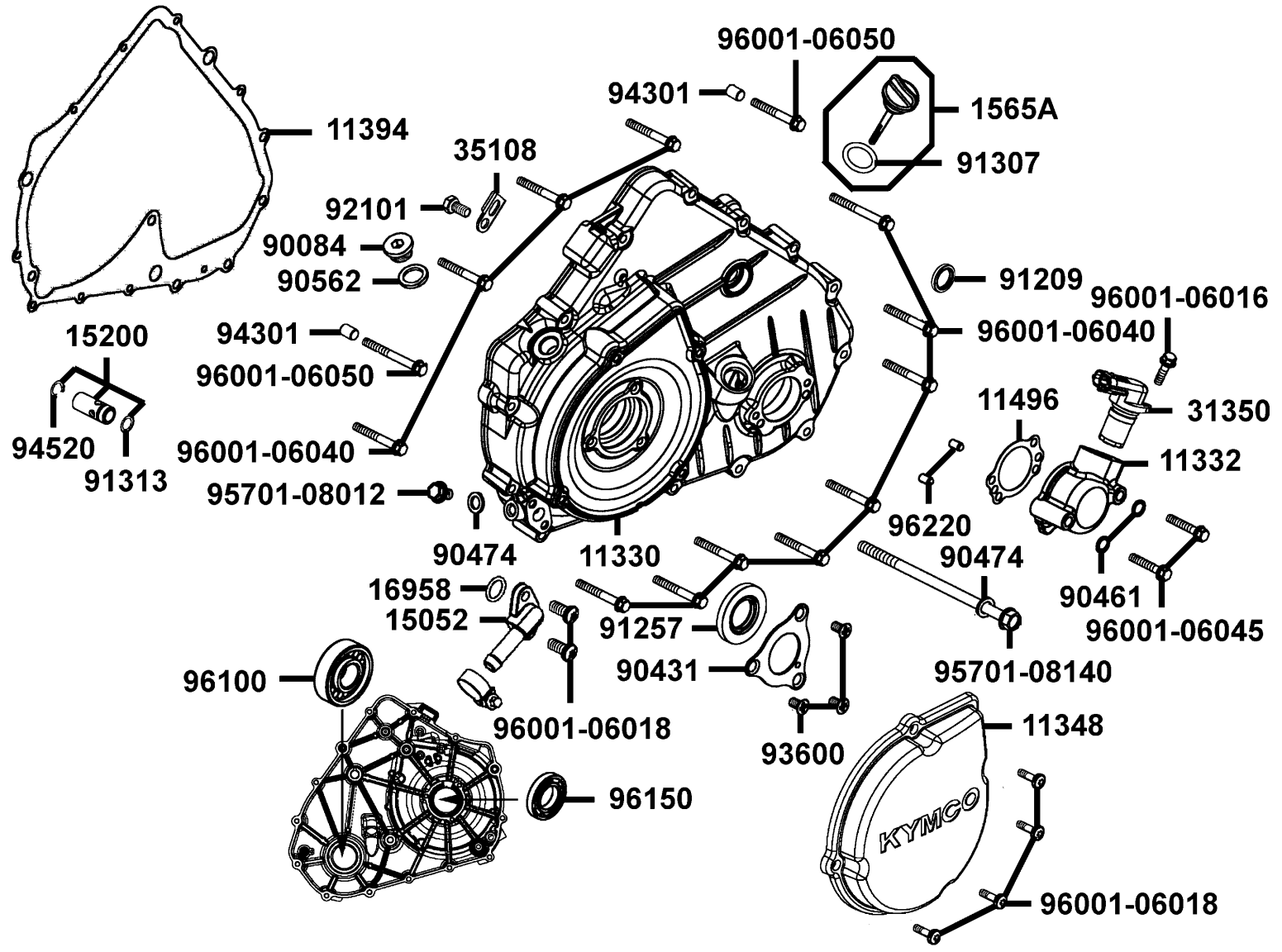
Sales mark	Ref no	Part no	Description	Reg description	Regd no	E04
14610		14610-PWB1-900	GUIDE COMP CAM CHAIN	GUIDE COMP CAM CHAIN	1	
15131		15131-PWB1-900	SPROCKET OIL PUMP DRIVE	SPROCKET OIL PUMP DRIVE	1	
15711		15711-PWB1-900	WASHER 10.2X30X2.5	WASHER 10.2X30X2.5	1	
90205		90205-LDB5-E00	NUT FLANGE 16 MM	NUT FLANGE 16 MM	1	
90421		90421-LBA2-E00	WASHER SEALING 10*16*1	WASHER SEALING 10*16*1	1	
90481		90481-0E35-001	WASHER 8MM	WASHER 8MM	1	
90701		90701-LDB5-E00	KEY WOODRUFF 25*17*5	KEY WOODRUFF 25*17*5	1	
91206		91206-PWB1-900	COLLAR	COLLAR	1	
91302		91302-PWB1-900	O-RING 12x2	O-RING 12x2	1	
94050-06080		94050-06080	NUT FLANGE 6MM	NUT FLANGE 6MM	2	
94050-08080		94050-08080	NUT FLANGE 8MM	NUT FLANGE 8MM	2	
94050-10080		94050-10080	NUT FLANGE 10MM	NUT FLANGE 10MM	1	
94301		94301-13220	DOWEL PIN 13x18	DOWEL PIN 13x18	2	
94303		94303-04065	PIN DOWEL 4*6.5	PIN DOWEL 4*6.5	1	
94401		94401-16150	KEY WOODRUFF 16*15	KEY WOODRUFF 16*15	1	
94601		94601-PWB1-900	CIRCLIP PISTON PIN 20MM	CIRCLIP PISTON PIN 20MM	2	
95701-06025		95701-06025-08	BOLT FLANGE 6*25	BOLT FLANGE 6*25	2	
95701-PWB1		95701-PWB1-900	BOLT FLANGE 10x20	BOLT FLANGE 10x20	1	
E040-3106		E040-3106	CAP	CAP	1	

Cover Left Crank Case



Sales mark	Ref no	Part no	Description	Reg description	Regd no	E05
	11330	11330-PWB1-900	COVER LEFT CRANK CASE	COVER LEFT CRANK CASE	1	
	11332	11332-PWB1-900	HOUSING SPEED SENSOR	HOUSING SPEED SENSOR	1	
	11348	11348-LFA5-900	COVER STARTING	COVER STARTING	1	
	11394	11394-PWB1-900	GASKET L COVER	GASKET L COVER	1	
	11496	11496-PWB1-900	GASKET SENSOR HOUSING	GASKET SENSOR HOUSING	1	
	15052	15052-PWB1-900	ANGLE FITTING OIL	ANGLE FITTING OIL	1	
	15200	15200-PWB1-900	OIL RELIEF VALVE ASSY	OIL RELIEF VALVE ASSY	1	
	1565A	1565A-PWB1-900	GAUGE ASST OIL LEVEL	GAUGE ASST OIL LEVEL	1	
	16958	16958-KHB4-900	O-RING 10.77x2.62	O-RING 10.77x2.62	1	
	31350	31350-LDB5-E0A	SENSOR SPEED	SENSOR SPEED	1	
	35108	35108-PWB1-900	STAY B ACG STATOR	STAY B ACG STATOR	1	
	90084	90084-PWB1-900	CAP ACG	CAP ACG	1	
	90431	90431-PWB1-900	RETAINER OIL SEAL	RETAINER OIL SEAL	1	
	90461	90461-PWB1-900	WASHER SEALING	WASHER SEALING	2	
	90474	90474-3C33-001	WASHER 8MM	WASHER 8MM	2	
	90562	90562-PWB1-900	WASHER 16X22X2	WASHER 16X22X2	1	
	91209	91209-PWB1-900	OIL SEAL 12X22X9	OIL SEAL 12X22X9	1	
	91257	91257-PWB1-900	OIL SEAL 25X36X6	OIL SEAL 25X36X6	1	
	91307	91307-0E35-001	O RING 18*3	O RING 18*3	1	
	91313	91313-KED9-900	O-RING 15.5*1.5	O-RING 15.5*1.5	1	

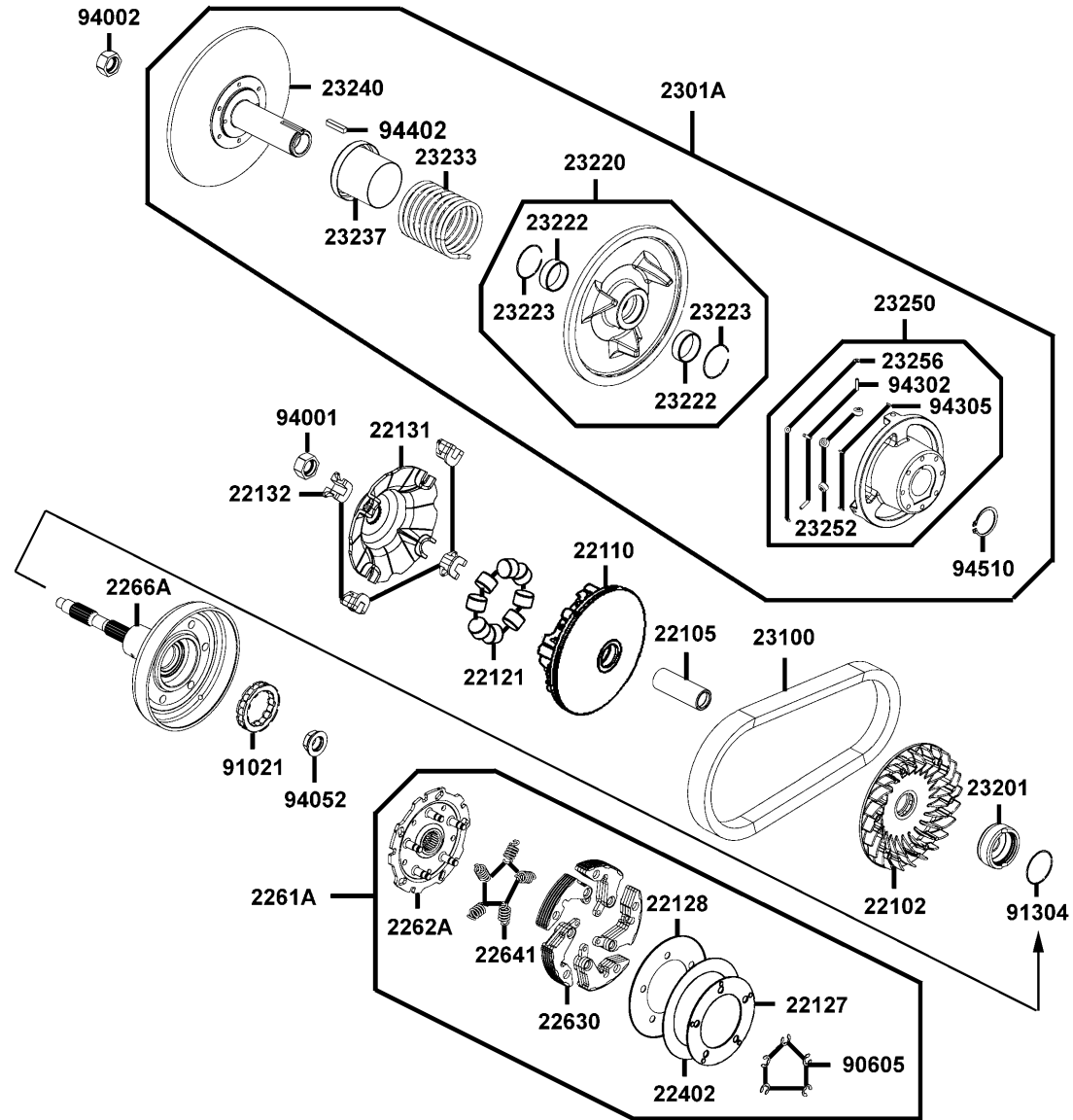
Cover Left Crank Case



Sales mark	Ref no	Part no	Description	Reg description	Regd no	E05
	92101	92101-05012-0H	BOLT HEX 5*12	BOLT HEX 5*12	1	
	93600	93600-PWB1-900	SCREW FLAT 6X16(C)	SCREW FLAT 6X16(C)	3	
	94301	94301-12200	DOWEL PIN 12*20	DOWEL PIN 12*20	2	
	94520	94520-12100	CIR CLIP IN 12	CIR CLIP IN 12	1	
	95701-08012	95701-08012-08	BOLT FLANGE 8*12	BOLT FLANGE 8*12	1	
	95701-08140	95701-08140-08	BOLT FLANGE 8x140	BOLT FLANGE 8x140	1	
	96001-06016	96001-06016-08	BOLT FLANGE SH 6*16	BOLT FLANGE SH 6*16	1	
	96001-06018	96001-06018-08	BOLT FLANGE SH 6*18	BOLT FLANGE SH 6*18	6	
	96001-06040	96001-06040-08	BOLT FLANGE 6*40	BOLT FLANGE 6*40	12	
	96001-06045	96001-06045-08	BOLT FLANGE SH 6*45	BOLT FLANGE SH 6*45	2	
	96001-06050	96001-06050-08	BOLT FLANGE 6*50	BOLT FLANGE 6*50	2	
	96100	96100-63040-00	BRG BALL RADIAL 6304	BRG BALL RADIAL 6304	1	
	96150	96150-PWB1-900	BEARING CONRAD S/R(16005)	BEARING CONRAD S/R(16005)	1	
	96220	96220-60100	ROLLER 6*10	ROLLER 6*10	2	

E06

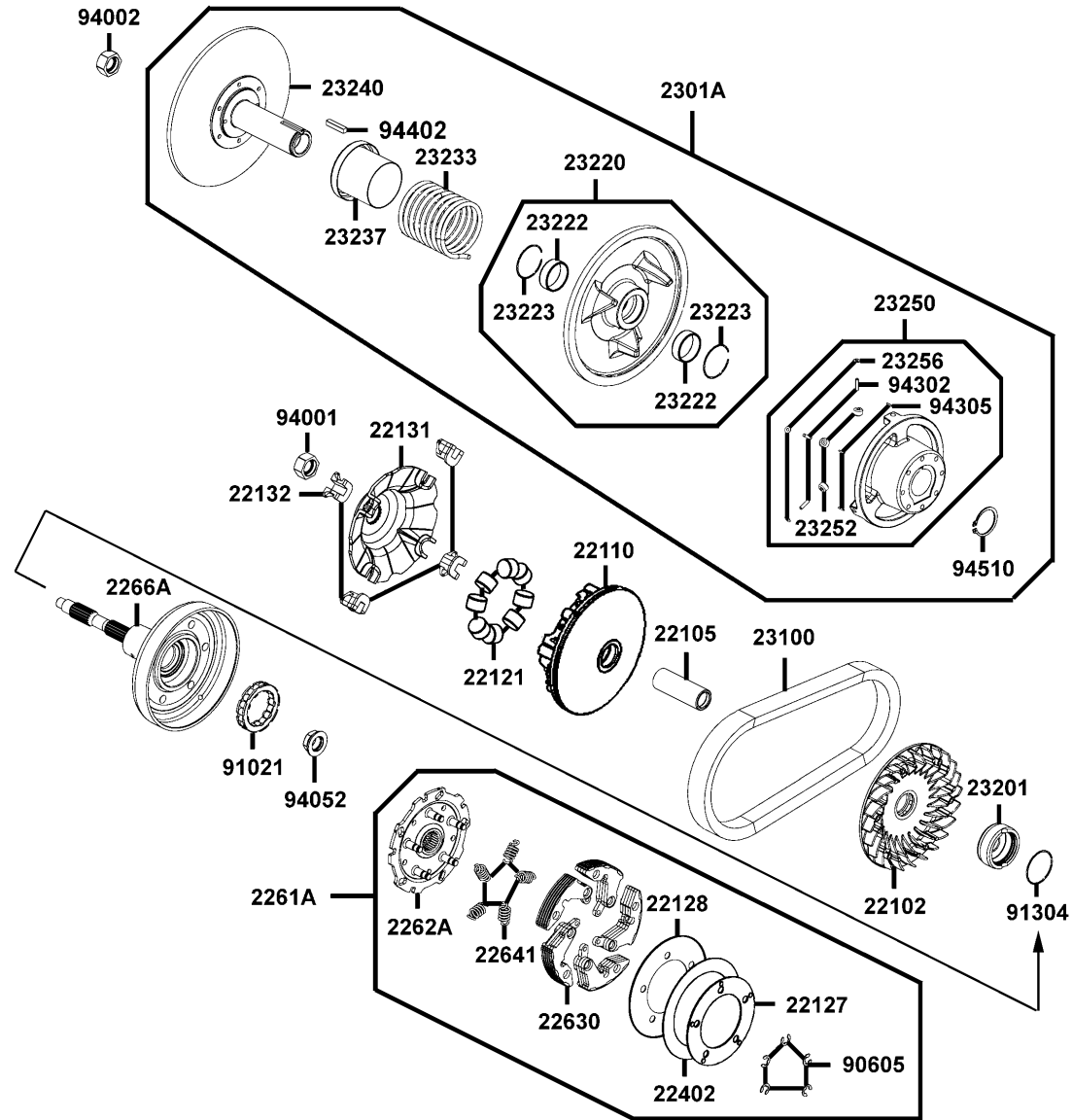
Drive Pulley



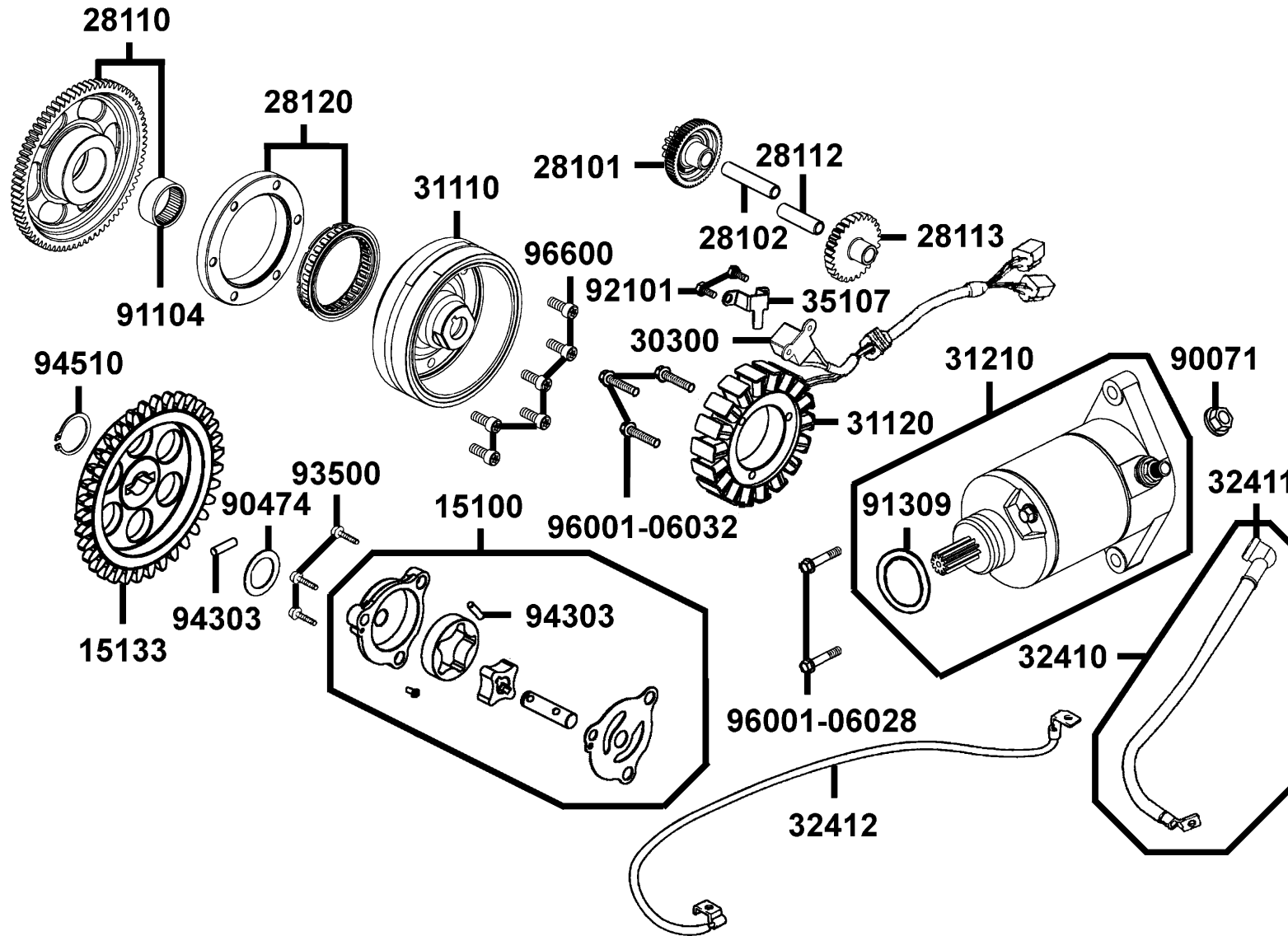
Sales mark	Ref no	Part no	Description	Reg description	Regd no	E06
	22102	22102-PWB1-900	FACE DRIVE	FACE DRIVE	1	
	22105	22105-PWB1-900	BOSS DRIVE FACE	BOSS DRIVE FACE	1	
	22110	22110-PWB1-900	FACE COMP MOVABLE	FACE COMP MOVABLE	1	
	22121	22121-PWB1-900	ROLLER COMP WEIGHT	ROLLER COMP WEIGHT	8	
	22127	22127-LDB5-E00	SEAT ADJUSTER SPG	SEAT ADJUSTER SPG	1	
	22128	22128-PWB1-900	PLATE ADJUSTER SPG	PLATE ADJUSTER SPG	1	
	22131	22131-PWB1-900	PLATE RAMP	PLATE RAMP	1	
	22132	22132-PWB1-900	PIECE SLIDE	PIECE SLIDE	4	
	22402	22402-PWB1-900	SPG ADJUSTER	SPG ADJUSTER	1	
	2261A	2261A-PWB1-900	CLUTCH ASSY PRIMARY	CLUTCH ASSY PRIMARY	1	
	2262A	2262A-PWB1-900	PLATE COMP PRIMARY DRIVE	PLATE COMP PRIMARY DRIVE	1	
	22630	22630-PWB1-900	SHOE CLUTCH	SHOE CLUTCH	5	
	22641	22641-PWB1-900	PRIMARY CLUTCH SPG	PRIMARY CLUTCH SPG	5	
	2266A	2266A-PWB1-900	GEAR ASSY PRIMARY DRIVE	GEAR ASSY PRIMARY DRIVE	1	
	2301A	2301A-PWB1-900	PULLEY SUB ASSY DRIVEN	PULLEY SUB ASSY DRIVEN	1	
	23100	23100-PWB1-900	BELT DRIVE	BELT DRIVE	1	
	23201	23201-PWB1-900	SPACER FIXED DRIVE	SPACER FIXED DRIVE	1	
	23220	23220-PWB1-900	FACE COMP MOVABLE	FACE COMP MOVABLE	1	
	23222	23222-PWB1-800	BUSH 35X39X10	BUSH 35X39X10	2	
	23223	23223-PWB1-900	CLIP 38MM	CLIP 38MM	2	

E06

Drive Pulley



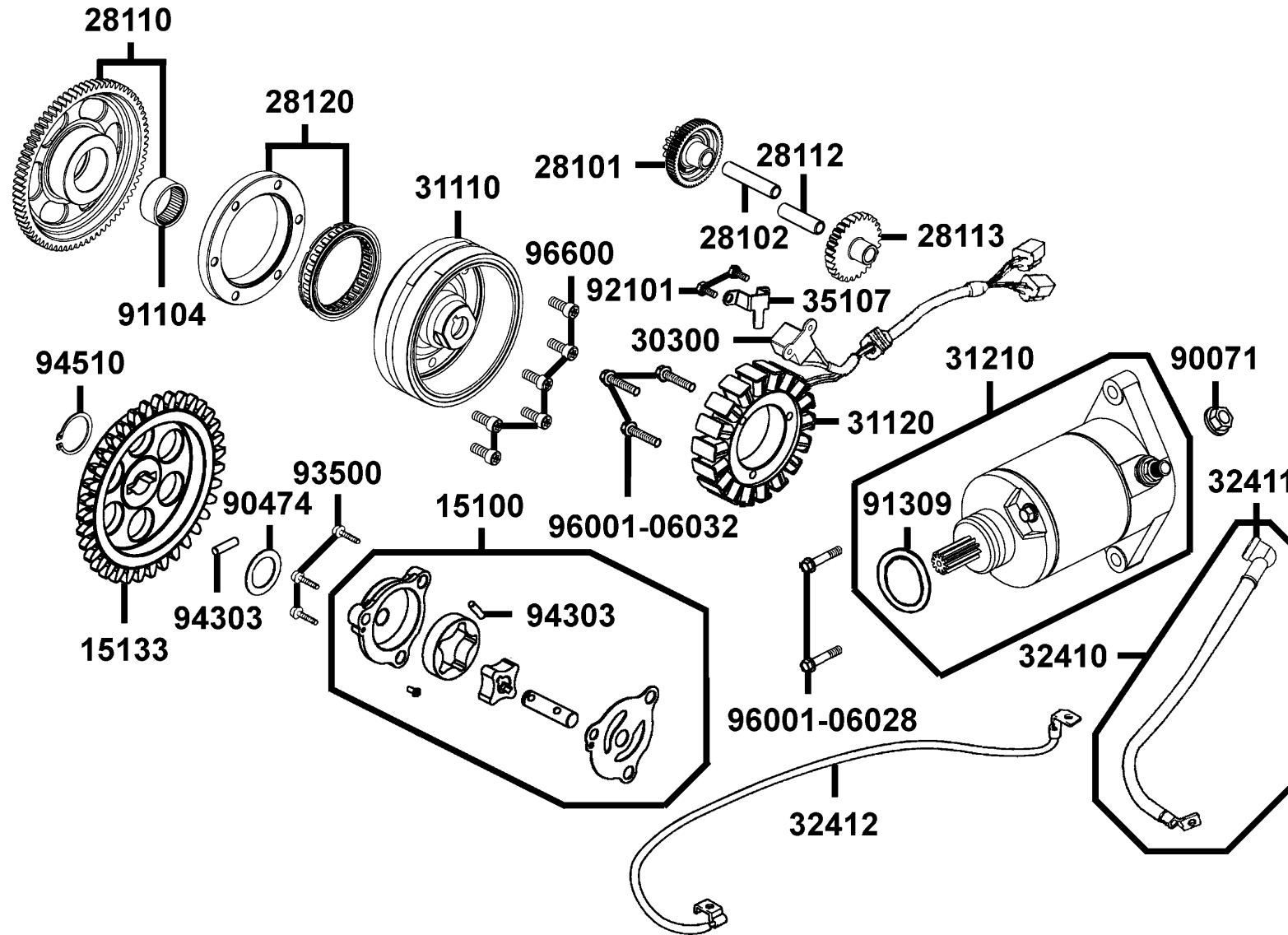
Sales mark	Ref no	Part no	Description	Reg description	Regd no	E06
	23233	23233-PWB1-900	SPG DRIVEN FACE	SPG DRIVEN FACE	1	
	23237	23237-PWB1-900	COLLAR SEAL	COLLAR SEAL	1	
	23240	23240-PWB1-900	FACE ASSY DRIVEN	FACE ASSY DRIVEN	1	
	23250	23250-PWB1-900	CAP ASSY DRIVEN CLUTCH	CAP ASSY DRIVEN CLUTCH	1	
	23252	23252-PWB1-900	ROLLER DRIVEN CLUTCH	ROLLER DRIVEN CLUTCH	3	
	23256	23256-PWB1-900	WASHER THRUST	WASHER THRUST	3	
	90605	90605-0210	CIRCLE CLIP 7MM	CIRCLE CLIP 7MM	5	
	91021	91021-LDB5-E00	BEARING ONE WAY	BEARING ONE WAY	1	
	91304	91304-PWB1-900	O-RING STARTER CUP	O-RING STARTER CUP	1	
	94001	94001-PWB1-900	NUT FLANGR 16mm	NUT FLANGR 16mm	1	
	94002	94002-PWB1-900	NUT FLANGR 16mm	NUT FLANGR 16mm	1	
	94052	94052-PWB1-900	NUT FLANGE 18MM	NUT FLANGE 18MM	1	
	94302	94302-06025	PIN CAM ROLLER	PIN CAM ROLLER	3	
	94305	94305-03161	PIN SPG 3x16	PIN SPG 3x16	3	
	94402	94402-PWB1-900	KEY 6x6x30	KEY 6x6x30	1	
	94510	94510-35150	CIRCLIP EX 35	CIRCLIP EX 35	1	



Sales mark	Ref no	Part no	Description	Reg description	Regd no	E07
	15100	15100-PWB1-900	OIL PUMP ASSY	OIL PUMP ASSY	1	
	15133	15133-PWB1-900	SPROCKET OIL PUMP DRIVEN	SPROCKET OIL PUMP DRIVEN	1	
	28101	28101-PWB1-900	GEAR STARTER REDUCTION	GEAR STARTER REDUCTION	1	
	28102	28102-PWB1-900	SHAFT STARTER REDUCTION GEAR	SHAFT STARTER REDUCTION GEAR	1	
	28110	28110-PWB1-900	GEAR COMP STARTING CLUTCH	GEAR COMP STARTING CLUTCH	1	
	28112	28112-PWB1-900	SHAFT A STARTER REDUCTION GEAR	SHAFT A STARTER REDUCTION GEAR	1	
	28113	28113-PWB1-900	GEAR A STARTER REDUCTION	GEAR A STARTER REDUCTION	1	
	28120	28120-PWB1-900	OUTER COMP STARTING CLUTCH	OUTER COMP STARTING CLUTCH	1	
	30300	30300-KED9-900	GENERATOR COMP PULSE	GENERATOR COMP PULSE	1	
	31110	31110-PWB1-900	FLYWHEEL COMP	FLYWHEEL COMP	1	
	31120	31120-LFA5-E00	STATOR COMP	STATOR COMP	1	
	31210	31210-PWB1-900	MOTOR UNIT STARTER	MOTOR UNIT STARTER	1	
	32410	32410-LFA5-E00	CABLE ATARTER MOTOR	CABLE ATARTER MOTOR	1	
	32411	32411-2C53-001	COVER STARTING MOTOR TERMINAL	COVER STARTING MOTOR TERMINAL	1	
	32412	32412-LFA5-E00	CABLE EARTH	CABLE EARTH	1	
	35107	35107-PWB1-900	STAY A ACG STATOR	STAY A ACG STATOR	1	
	90071	90071-MLB0-001	NUT WASH 6MM	NUT WASH 6MM	1	
	90474	90474-1G47-001	WASHER 10.5MM	WASHER 10.5MM	1	
	91104	91104-PWB1-90A	BRG NEEDLE 31X39X18	BRG NEEDLE 31X39X18	1	
	91309	91309-4E25-004	O-RING 24.4*3.1	O-RING 24.4*3.1	1	

E07

Starting Motor Generator

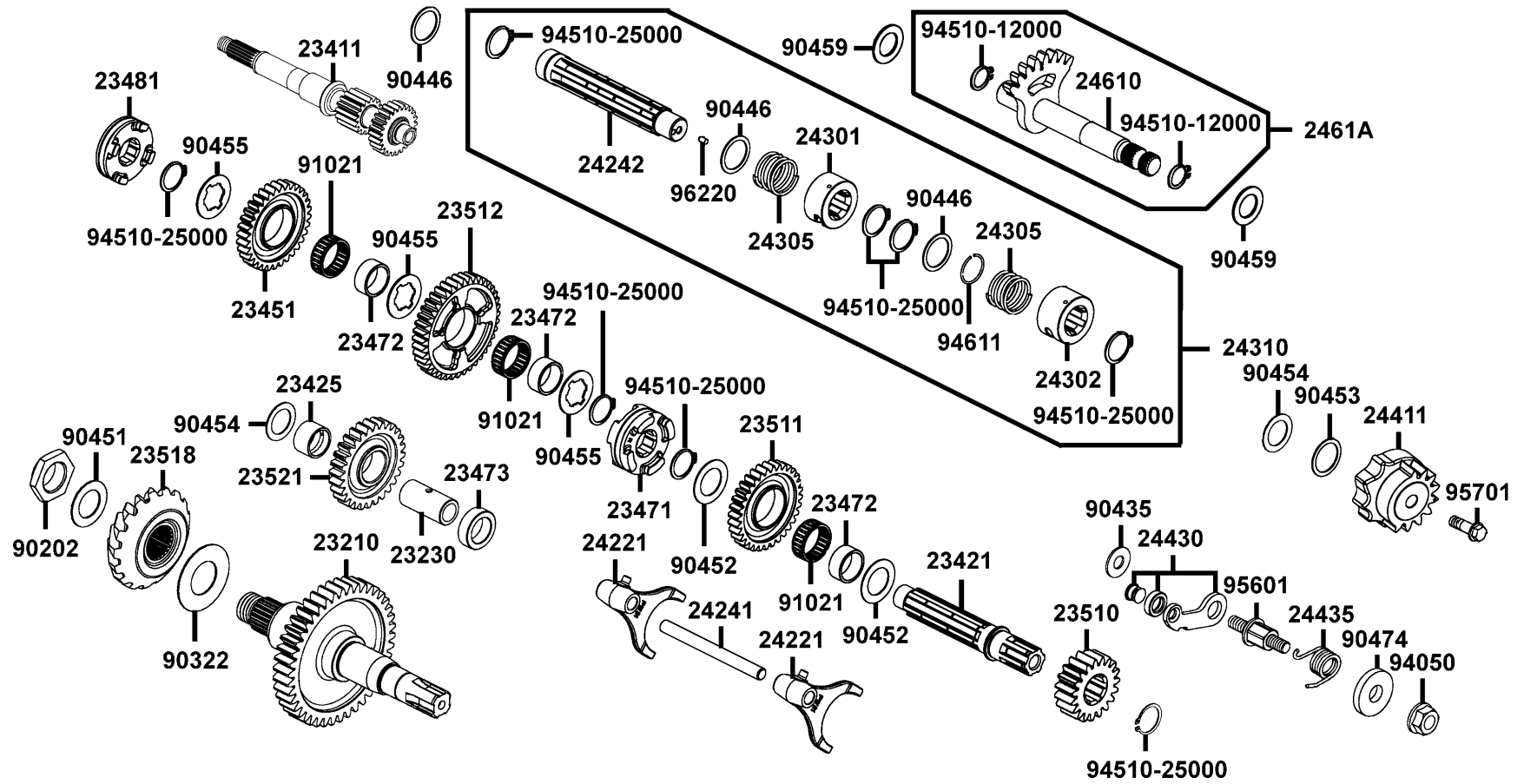


Sales mark	Ref no	Part no	Description	Reg description	Regd no	E07
	92101	92101-05012-0H	BOLT HEX 5*12	BOLT HEX 5*12	2	
	93500	93500-06025-0HN	SCREW FLAT 6X25(C)	SCREW FLAT 6X25(C)	3	
	94303	94303-04160	PIN 4x16	PIN 4x16	2	
	94510	94510-10000	CIR CLIP EX 10MM	CIR CLIP EX 10MM	1	
	96001-06028	96001-06028-08N	BOLT FLANGE SH 6*28	BOLT FLANGE SH 6*28	2	
	96001-06032	96001-06032-08N	BOLT FLANGE SH 6x32	BOLT FLANGE SH 6x32	3	
	96600	96600-LDB5-E00	SOCKET BOLT 8*20	SOCKET BOLT 8*20	6	

Sales mark	Ref no	Part no	Description	Reg description	Regd no	E08
	23210	23210-PWB1-900	SHAFT COMP MAIN	SHAFT COMP MAIN	1	
	23230	23230-PWB1-900	SHAFT BACKWARD IDLE	SHAFT BACKWARD IDLE	1	
	23411	23411-PWB1-900	SHAFT DRIVE	SHAFT DRIVE	1	
	23421	23421-PWB1-900	SHAFT COUNTER	SHAFT COUNTER	1	
	23425	23425-PWB1-900	BUSH BACKWARD IDLE GEAR	BUSH BACKWARD IDLE GEAR	1	
	23451	23451-PWB1-900	GEAR BACKWARD DRIVEN 32T	GEAR BACKWARD DRIVEN 32T	1	
	23471	23471-PWB1-900	SHIFT FORWARD&LOW	SHIFT FORWARD&LOW	1	
	23472	23472-PWB1-900	RING 25 INNER	RING 25 INNER	3	
	23473	23473-PWB1-900	COLLAR 20X30X9.5	COLLAR 20X30X9.5	1	
	23481	23481-PWB1-900	SHIFT BACKWARD	SHIFT BACKWARD	1	
	23510	23510-PWB1-900	GEAR BACKWARD DRIVEN 19T	GEAR BACKWARD DRIVEN 19T	1	
	23511	23511-PWB1-900	GEAR FORWARD DRIVEN 33T	GEAR FORWARD DRIVEN 33T	1	
	23512	23512-PWB1-900	GEAR LOWER DRIVEN 40T	GEAR LOWER DRIVEN 40T	1	
	23518	23518-PWB1-900	BEVEL GEAR DRIVE	BEVEL GEAR DRIVE	1	
	23521	23521-PWB1-900	GEAR BACKWARD IDLE 28T	GEAR BACKWARD IDLE 28T	1	
	24221	24221-PWB1-900	FORK SHIFT	FORK SHIFT	2	
	24241	24241-PWB1-900	SHAFT SHIFT FORK	SHAFT SHIFT FORK	1	
	24242	24242-PWB1-900	SHAFT DRUM GEAR SHIFT	SHAFT DRUM GEAR SHIFT	1	
	24301	24301-PWB1-900	DRUM FORWARD	DRUM FORWARD	1	
	24302	24302-PWB1-900	DRUM ACKWARD	DRUM ACKWARD	1	

E08

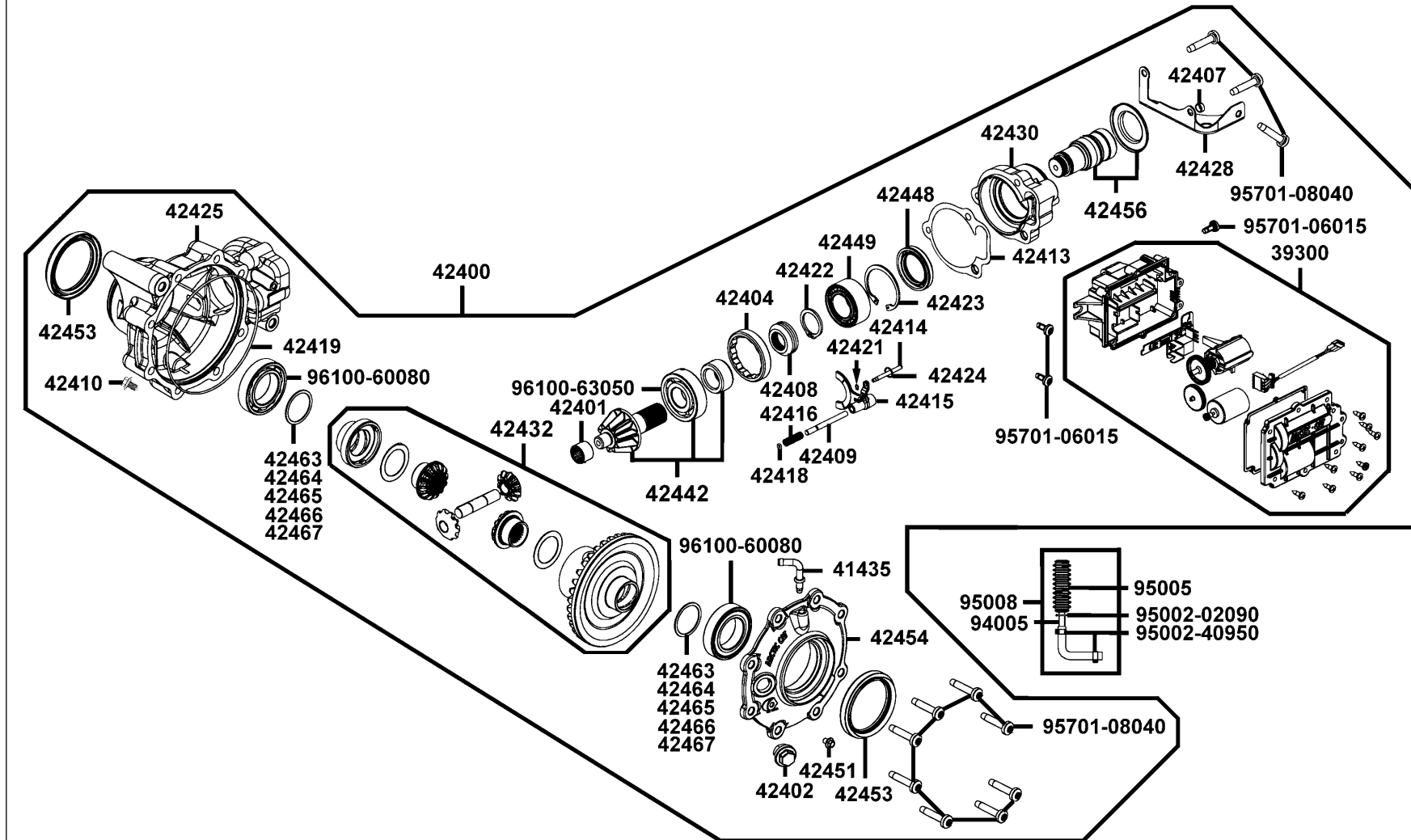
Clutch Assy Primary



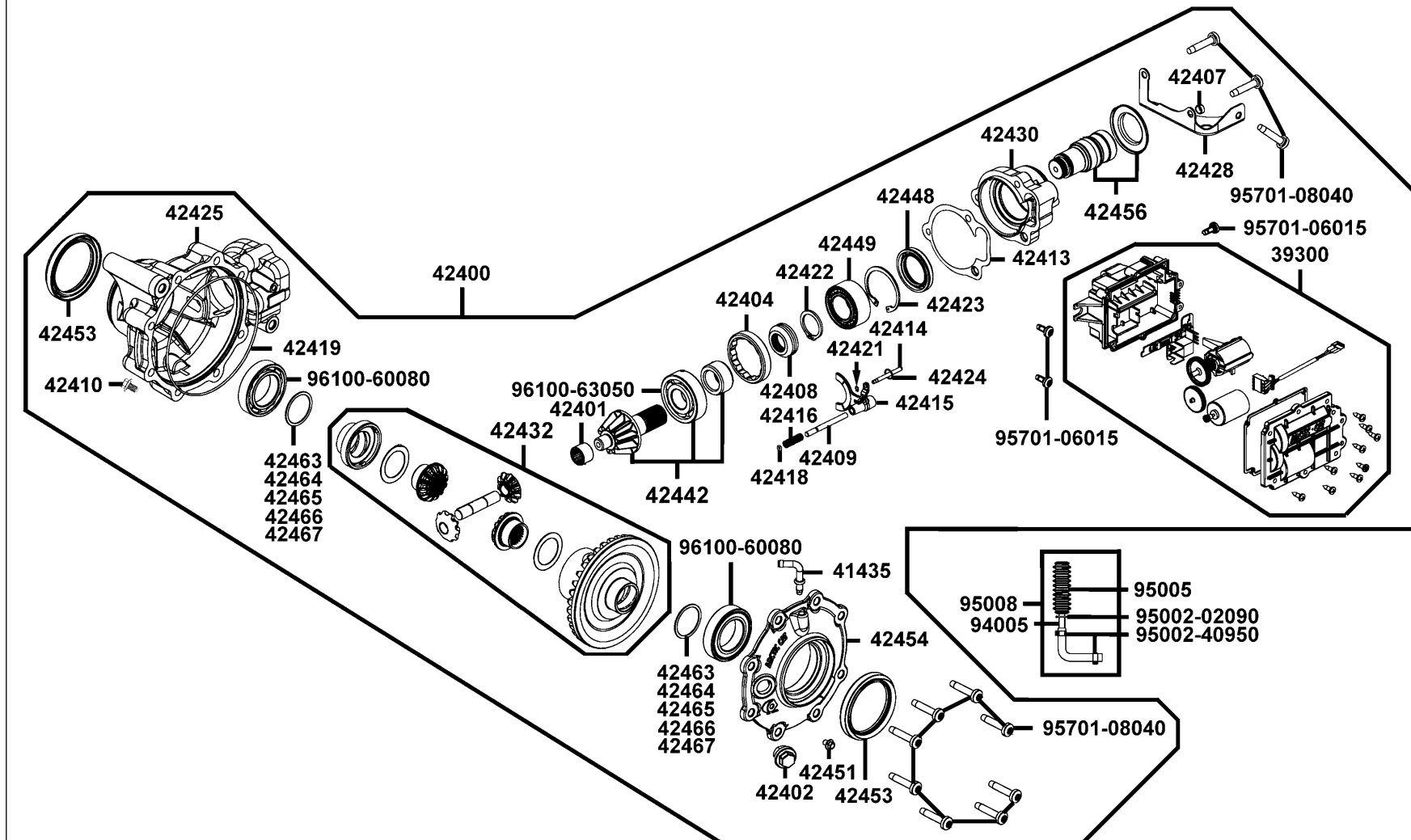
Sales mark	Ref no	Part no	Description	Reg description	Regd no	E08
24305		24305-PWB1-900	SPRING DRUM	SPRING DRUM	2	
24310		24310-PWB1-900	DRUM ASSY GEAR SHIFT	DRUM ASSY GEAR SHIFT	1	
24411		24411-PWB1-900	GEAR DRUM SHIFT	GEAR DRUM SHIFT	1	
24430		24430-PWB1-900	STOPPER COMP DRUM	STOPPER COMP DRUM	1	
24435		24435-PWB1-900	SPRING CAM STOPPER	SPRING CAM STOPPER	1	
24610		24610-PWB1-900	SPINDLE COMP DRUM SHIFT	SPINDLE COMP DRUM SHIFT	1	
2461A		2461A-PWB1-900	SPINDLE ASSY DRUM SHIFT	SPINDLE ASSY DRUM SHIFT	1	
90202		90202-PWB1-900	NUT DRIVE B GEAR M20X1.5	NUT DRIVE B GEAR M20X1.5	1	
90322		90322-PWB1-900	SHIM DRIVE BEVEL GEAR T=1.15MM	SHIM DRIVE BEVEL GEAR T=1.15MM	1	
90435		90435-HCB3-001	WASHER 6.1MM	WASHER 6.1MM	1	
90446		90446-PWB1-900	WASHER 25X32X1	WASHER 25X32X1	3	
90451		90451-LBA7-900	WASHER THRUST 20MM	WASHER THRUST 20MM	1	
90452		90452-LBA7-900	WASHER THRUST 25MM	WASHER THRUST 25MM	2	
90453		90453-1G07-001	WASHER THRUST 20M/M	WASHER THRUST 20M/M	1	
90454		90454-KED9-900	WASHER THRUST 20*1	WASHER THRUST 20*1	2	
90455		90455-LBA7-900	WASHER SPLINE 25MM	WASHER SPLINE 25MM	3	
90459		90459-PWB1-900	WASHER 12X20X1	WASHER 12X20X1	2	
90474		90474-7D04-000	WASHER 6*17*23	WASHER 6*17*23	1	
91021		91021-PWB1-90B	BRG NEEDLE KT30X35X12.8	BRG NEEDLE KT30X35X12.8	3	
94050		94050-06080	NUT FLANGE 6MM	NUT FLANGE 6MM	1	

Sales mark	Ref no	Part no	Description	Reg description	Regd no	E08
	94510-12000	94510-12000	CIR CLIP EXTERNAL 12	CIR CLIP EXTERNAL 12	2	
	94510-25000	94510-25000	CIR CLIP EXTERNAL 25	CIR CLIP EXTERNAL 25	8	
	94611	94611-PWB1-900	CLIP DRUM SHAFT	CLIP DRUM SHAFT	1	
	95601	95601-PWB1-900	SUPPORT CAM STOPPER	SUPPORT CAM STOPPER	1	
	95701	95701-06025-06	BOLT WASHER 6*25	BOLT WASHER 6*25	1	
	96220	96220-40080	ROLLER 4*8	ROLLER 4*8	1	

Sales mark	Ref no	Part no	Description	Reg description	Regd no	E09
39300		39300-PWB1-900	2X 4X ACTUATOR ASM	2X 4X ACTUATOR ASM	1	
41435		41435-PWB1-900	BARB 90	BARB 90	1	
42400		42400-PWB1-900	GEARCASE FRONT ASSEMBLY	GEARCASE FRONT ASSEMBLY	1	
42401		42401-PWB1-900	BEARING NEEDLE(16NQ2316)	BEARING NEEDLE(16NQ2316)	1	
42402		42402-PWB1-900	PLUG FULL	PLUG FULL	1	
42404		42404-PWB1-900	COLLAR LOCK M64X1.5RH	COLLAR LOCK M64X1.5RH	1	
42407		42407-PWB1-900	PIN DOWEL	PIN DOWEL	1	
42408		42408-PWB1-900	COUPLE DRIVE	COUPLE DRIVE	1	
42409		42409-PWB1-900	SHAFT SHUTTLE	SHAFT SHUTTLE	1	
42410		42410-PWB1-900	PLUG DRAIN-MAG	PLUG DRAIN-MAG	1	
42413		42413-PWB1-900	GASKET FLANGE	GASKET FLANGE	1	
42414		42414-PWB1-900	SHAFT SELECTOR	SHAFT SELECTOR	1	
42415		42415-PWB1-900	FORK SELECTOR	FORK SELECTOR	1	
42416		42416-PWB1-900	SPRING RETURN-4WD	SPRING RETURN-4WD	1	
42418		42418-PWB1-900	O-RING 3X2MM	O-RING 3X2MM	1	
42419		42419-PWB1-900	O-RING 150X2MM	O-RING 150X2MM	1	
42421		42421-PWB1-900	RING RETAINING-EXT 4	RING RETAINING-EXT 4	1	
42422		42422-PWB1-900	RING RETAINING ONE	RING RETAINING ONE	1	
42423		42423-PWB1-900	RING RETAINING	RING RETAINING	1	
42424		42424-PWB1-900	O-RING ACTUATOR	O-RING ACTUATOR	1	

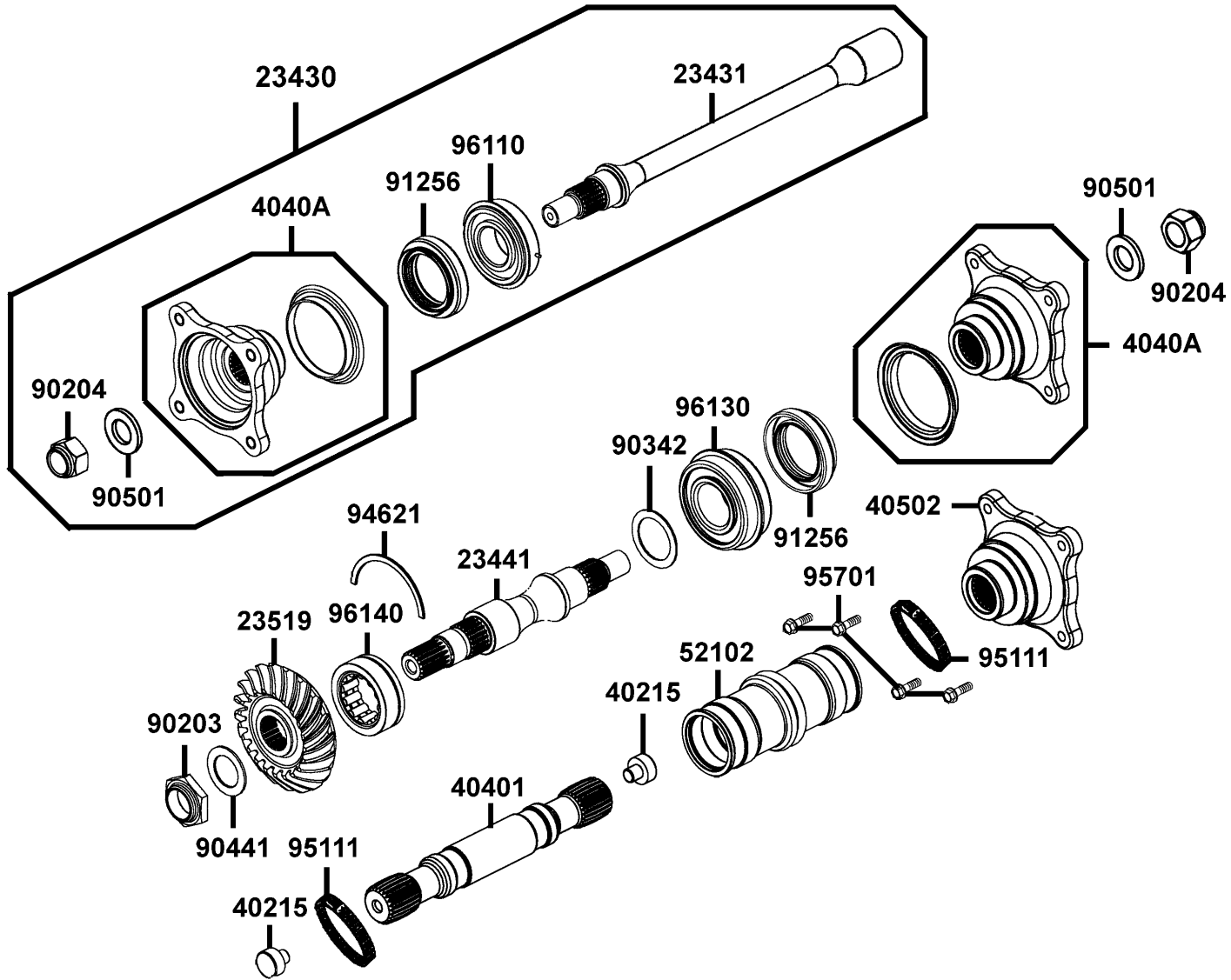


Sales mark	Ref no	Part no	Description	Reg description	Regd no	E09
	42425	42425-PWB1-900	HOUSING GEARCASE-FRONT MACH	HOUSING GEARCASE-FRONT MACH	1	
	42428	42428-PWB1-900	BRACKET ACTUATOR-WELDMENT	BRACKET ACTUATOR-WELDMENT	1	
	42430	42430-PWB1-900	HOUSING PINION-MACH	HOUSING PINION-MACH	1	
	42432	42432-PWB1-900	GEAR(34 TOOTH 3 1)	GEAR(34 TOOTH 3 1)	1	
	42442	42442-PWB1-900	PINION(10 TOOTH)-ASSEMBLY	PINION(10 TOOTH)-ASSEMBLY	1	
	42448	42448-PWB1-900	SEAL	SEAL	1	
	42449	42449-PWB1-900	BEARING BALL-DOUBLE ROW	BEARING BALL-DOUBLE ROW	1	
	42451	42451-PWB1-900	PLUG OIL LEVEL	PLUG OIL LEVEL	1	
	42453	42453-PWB1-900	SEAL 67X84X9	SEAL 67X84X9	2	
	42454	42454-PWB1-900	COVER GEARCASE-FRONT MACH	COVER GEARCASE-FRONT MACH	1	
	42456	42456-PWB1-900	SHAFT INPUT-ASSEMBLY	SHAFT INPUT-ASSEMBLY	1	
	42463	42463-PWB1-900	SHIM 41*49*1.3	SHIM 41*49*1.3	2	
	42464	42464-PWB1-900	SHIM 41*49*1.4	SHIM 41*49*1.4	2	
	42465	42465-PWB1-900	SHIM 41*49*1.5	SHIM 41*49*1.5	2	
	42466	42466-PWB1-900	SHIM 41*49*1.6	SHIM 41*49*1.6	2	
	42467	42467-PWB1-900	SHIM 41*49*1.7	SHIM 41*49*1.7	2	
	94005	94005-PWB1-900	HOSE BARB INTAKE MANIFOLD	HOSE BARB INTAKE MANIFOLD	1	
	95002-02090	95002-02090	CLIP B9 TUBE	CLIP B9 TUBE	1	
	95002-40950	95002-40950-08	CLAMP D9.5 TUBE	CLAMP D9.5 TUBE	2	
	95005	95005-PWB1-900	BREATH TUBE RR GEAR ASSY	BREATH TUBE RR GEAR ASSY	1	



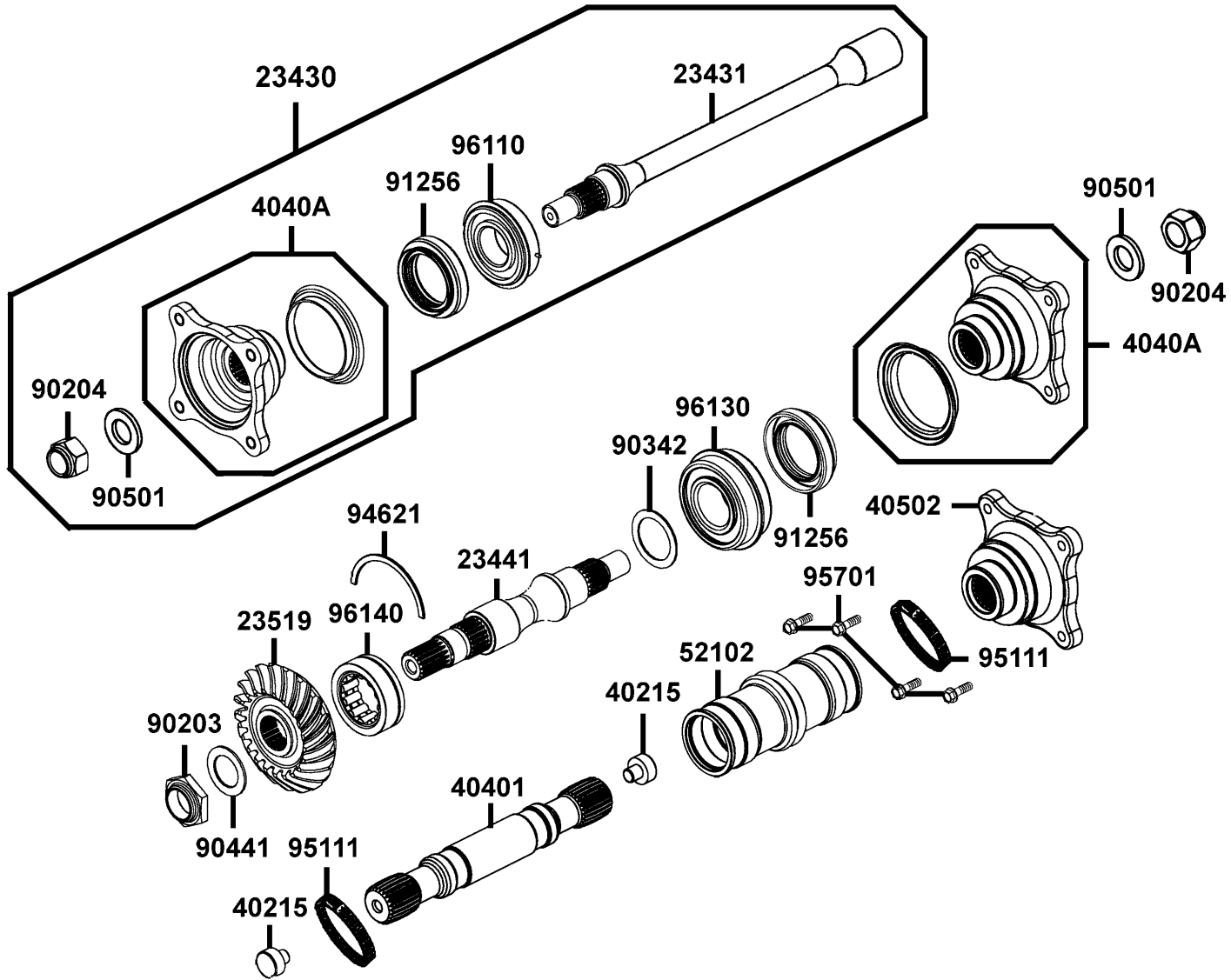
Sales mark	Ref no	Part no	Description	Reg description	Regd no	E09
	95008	95008-PWB1-900	HOSE VENT-GEARCASE (64mm)	HOSE VENT-GEARCASE (64mm)	1	
	95701-06015	95701-06015-08	BOLT FLANGE 6*15 (C)	BOLT FLANGE 6*15 (C)	3	
	95701-08040	95701-08040-08	BOLT FLANGE 8*40	BOLT FLANGE 8*40	11	
	96100-60080	96100-60080-00	BRG RADIAL BALL 6008	BRG RADIAL BALL 6008	2	
	96100-63050	96100-63050-00	BRG BALL RADIAL 6305	BRG BALL RADIAL 6305	1	

Shaft Drive Front



Sales mark	Ref no	Part no	Description	Reg description	Regd no	E10
	23430	23430-PWB1-900	SHAFT ASSY FINAL DRIVEN FR	SHAFT ASSY FINAL DRIVEN FR	1	
	23431	23431-PWB1-900	SHAFT FINAL DRIVEN FRONT	SHAFT FINAL DRIVEN FRONT	1	
	23441	23441-PWB1-900	SHAFT FINAL DRIVEN REAR	SHAFT FINAL DRIVEN REAR	1	
	23519	23519-PWB1-900	BEVEL GEAR DRIVEN	BEVEL GEAR DRIVEN	1	
	40215	40215-PWB1-900	BUMPER DRIVESHAFT	BUMPER DRIVESHAFT	2	
	40401	40401-PWB1-900	SHAFT PROPELLER FRONT	SHAFT PROPELLER FRONT	1	
	4040A	4040A-PWB1-900	COUPLING REAR OUTPUT SHAFT	COUPLING REAR OUTPUT SHAFT	2	
	40502	40502-PWB1-900	FLANGE OUTPUT	FLANGE OUTPUT	1	
	52102	52102-PWB1-900	BOOT COUPLER-FRONT	BOOT COUPLER-FRONT	1	
	90203	90203-PWB1-900	NUT DRIVEN B GEAR M22X1.5	NUT DRIVEN B GEAR M22X1.5	1	
	90204	90204-PWB1-900	NUT HEX SHOULDER (M16X1.5)	NUT HEX SHOULDER (M16X1.5)	2	
	90342	90342-PWB1-900	SHIM DRIVEN BEVEL GEAR T=1.15MM	SHIM DRIVEN BEVEL GEAR T=1.15MM	1	
	90441	90441-LBA2-E00	WASHER 22*34*2.5	WASHER 22*34*2.5	1	
	90501	90501-KNBN-901	WASHER 16MM	WASHER 16MM	2	
	91256	91256-PWB1-900	OIL SEAL 34X52X9	OIL SEAL 34X52X9	2	
	94621	94621-PWB1-900	RING DRIVEN BEARING	RING DRIVEN BEARING	1	
	95111	95111-PWB1-900	CLAMP BOOT	CLAMP BOOT	2	
	95701	95701-08020-06	BOLT FLANGE 8*20	BOLT FLANGE 8*20	4	
	96110	96110-PWB1-900	BRG BALL SNAP 25X52X15	BRG BALL SNAP 25X52X15	1	
	96130	96130-PWB1-900	BEARING BALL D/R 25X52X20.6	BEARING BALL D/R 25X52X20.6	1	

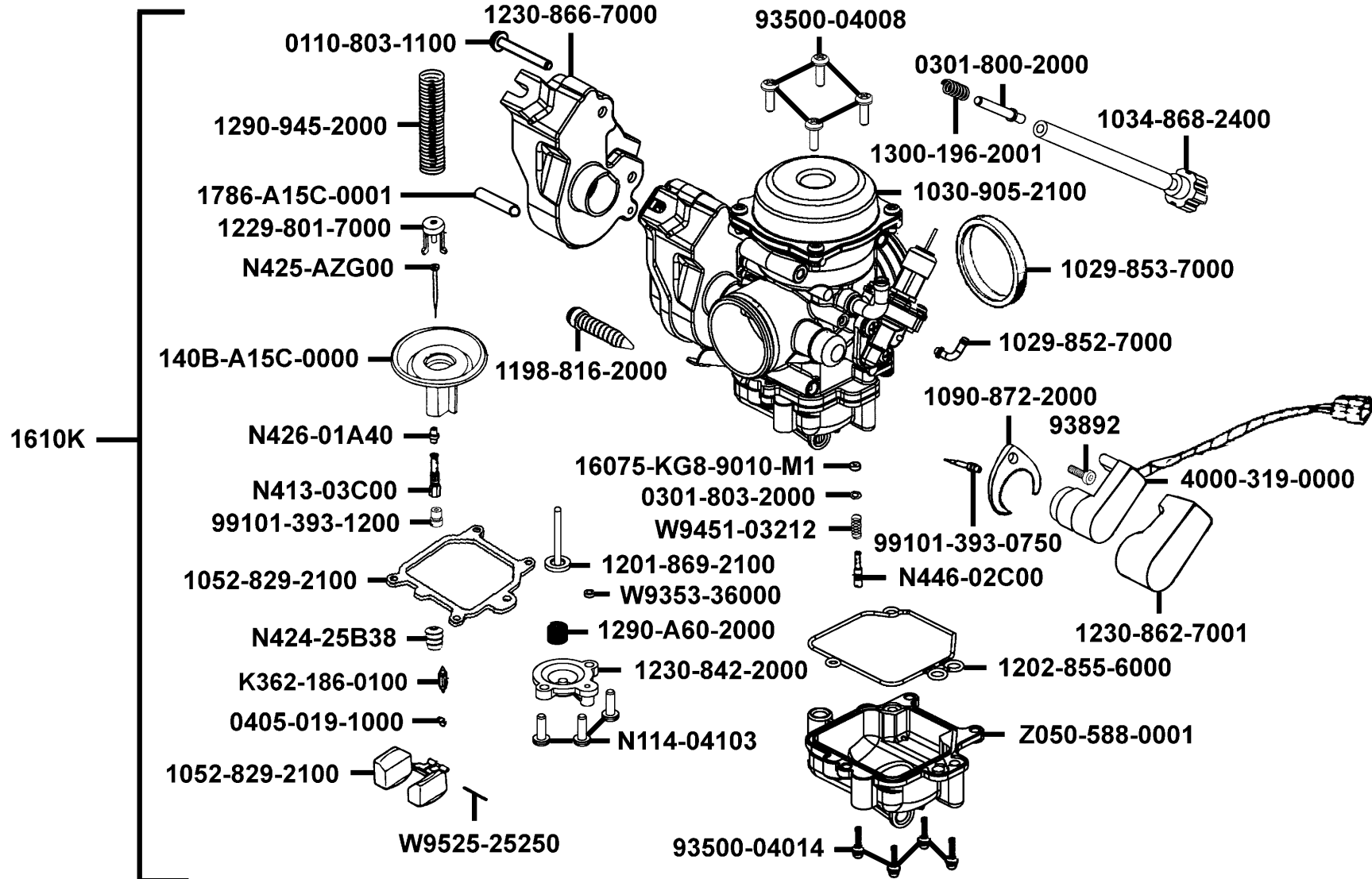
Shaft Drive Front



Sales mark	Ref no	Part no	Description	Reg description	Regd no	E10
	96140	96140-PWB1-900	BRG ROLLER 30X50X17	BRG ROLLER 30X50X17	1	

E11

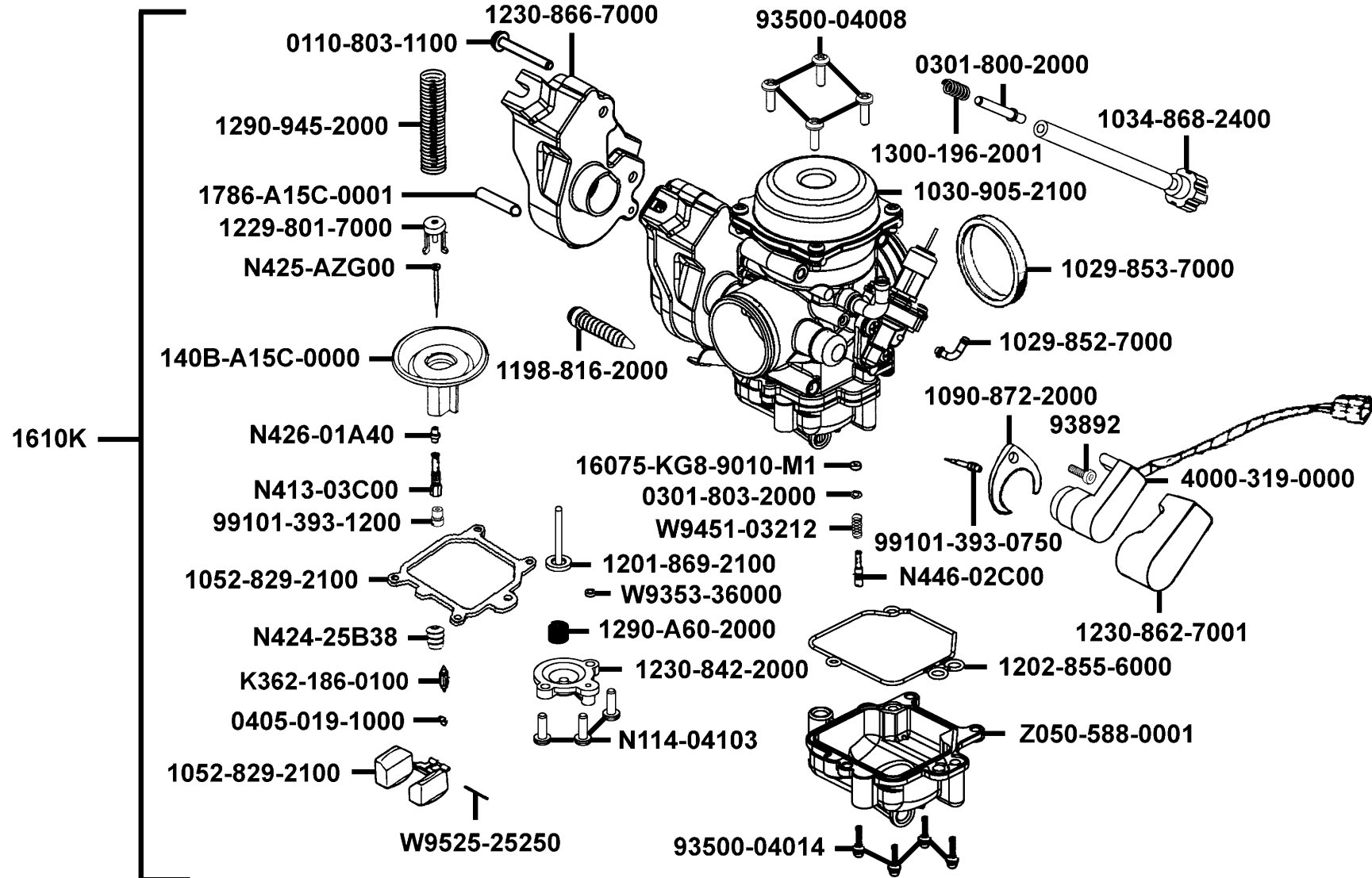
Carburetor



Sales mark	Ref no	Part no	Description	Reg description	Regd no	E11
	0110-803-1100	0110-803-1100	SCREW PAN	SCREW PAN	1	
	0301-800-2000	0301-800-2000	WASHER	WASHER	1	
	0301-803-2000	0301-803-2000	PLAIN WASHER	PLAIN WASHER	1	
	0405-019-1000	0405-019-1000	CLIP	CLIP	1	
	1029-852-7000	1029-852-7000	CAP	CAP	1	
	1029-853-7000	1029-853-7000	CAP	CAP	1	
	1030-905-2100	1030-905-2100	TOP COMP	TOP COMP	1	
	1034-868-2400	1034-868-2400	STOP SCREW	STOP SCREW	1	
	1052-829-2100	1052-829-2100	FLOAT COMP	FLOAT COMP	1	
	1090-872-2000	1090-872-2000	SET PLATE	SET PLATE	1	
	1198-816-2000	1198-816-2000	DRAIN SCREW	DRAIN SCREW	1	
	1201-869-2100	1201-869-2100	DIAPHRAGM COMP	DIAPHRAGM COMP	1	
	1202-855-6000	1202-855-6000	CHAMBER GASKET	CHAMBER GASKET	1	
	1229-801-7000	1229-801-7000	SPG SEAT	SPG SEAT	1	
	1230-842-2000	1230-842-2000	COVER	COVER	1	
	1230-862-7001	1230-862-7001	COVER	COVER	1	
	1230-866-7000	1230-866-7000	HOLDER CAP	HOLDER CAP	1	
	1290-945-2000	1290-945-2000	COIL SPG	COIL SPG	1	
	1290-A60-2000	1290-A60-2000	COIL SPG	COIL SPG	1	
	1300-196-2001	1300-196-2001	COIL SPG	COIL SPG	1	

E11

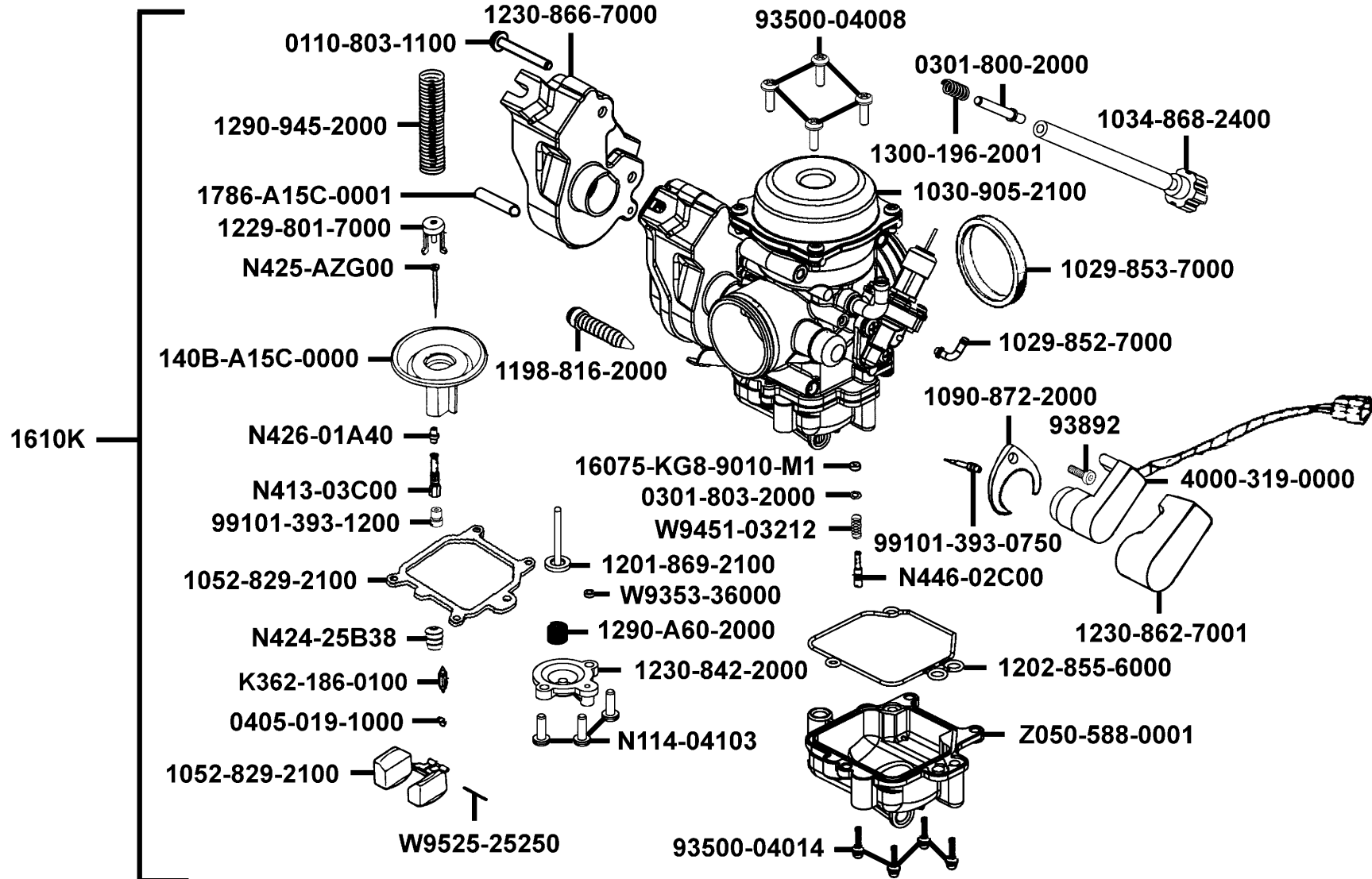
Carburetor



Sales mark	Ref no	Part no	Description	Reg description	Regd no	E11
	140B-A15C-0000	140B-A15C-0000	VALVE ASSY PISTON	VALVE ASSY PISTON	1	
	16075-KG8-9010-M1	16075-KG8-9010-M1	O RING	O RING	1	
	1610K	1610K-LFA5-E00	CARBURETOR ASSY	CARBURETOR ASSY	1	
	1786-A15C-0001	1786-A15C-0001	PIPE	PIPE	1	
	4000-319-0000	4000-319-0000	AUTO BY-STARTERB ASSY	AUTO BY-STARTERB ASSY	1	
	93500-04008	93500-04008-1H-3	SCREW PAN	SCREW PAN	4	
	93500-04014	93500-04014-1H-3	SCREW PAN	SCREW PAN	4	
	93892	93892-04008-18	SCREW WASHER	SCREW WASHER	1	
	99101-393-0750	99101-393-0750	MAIN JET #75	MAIN JET #75	1	
	99101-393-1200	99101-393-1200	MAIN JET #120	MAIN JET #120	1	
	K362-186-0100	K362-186-0100	FLOAT VALVE COMP	FLOAT VALVE COMP	1	
	N114-04103	N114-04103	WASHER SCREW	WASHER SCREW	3	
	N413-03C00	N413-03C00	NEEDLE JET HOLDER	NEEDLE JET HOLDER	1	
	N424-25B38	N424-25B38	SLOW JET	SLOW JET	1	
	N425-AZG00	N425-AZG00	JET NEEDLE COMP	JET NEEDLE COMP	1	
	N426-01A40	N426-01A40	JET NEEDLE	JET NEEDLE	1	
	N446-02C00	N446-02C00	SCREW ADJUST (P.S)	SCREW ADJUST (P.S)	1	
	W9353-36000	W9353-36000	U RING	U RING	1	
	W9451-03212	W9451-03212	COIL SPG	COIL SPG	1	
	W9525-25250	W9525-25250	ARM PIN	ARM PIN	1	

E11

Carburetor

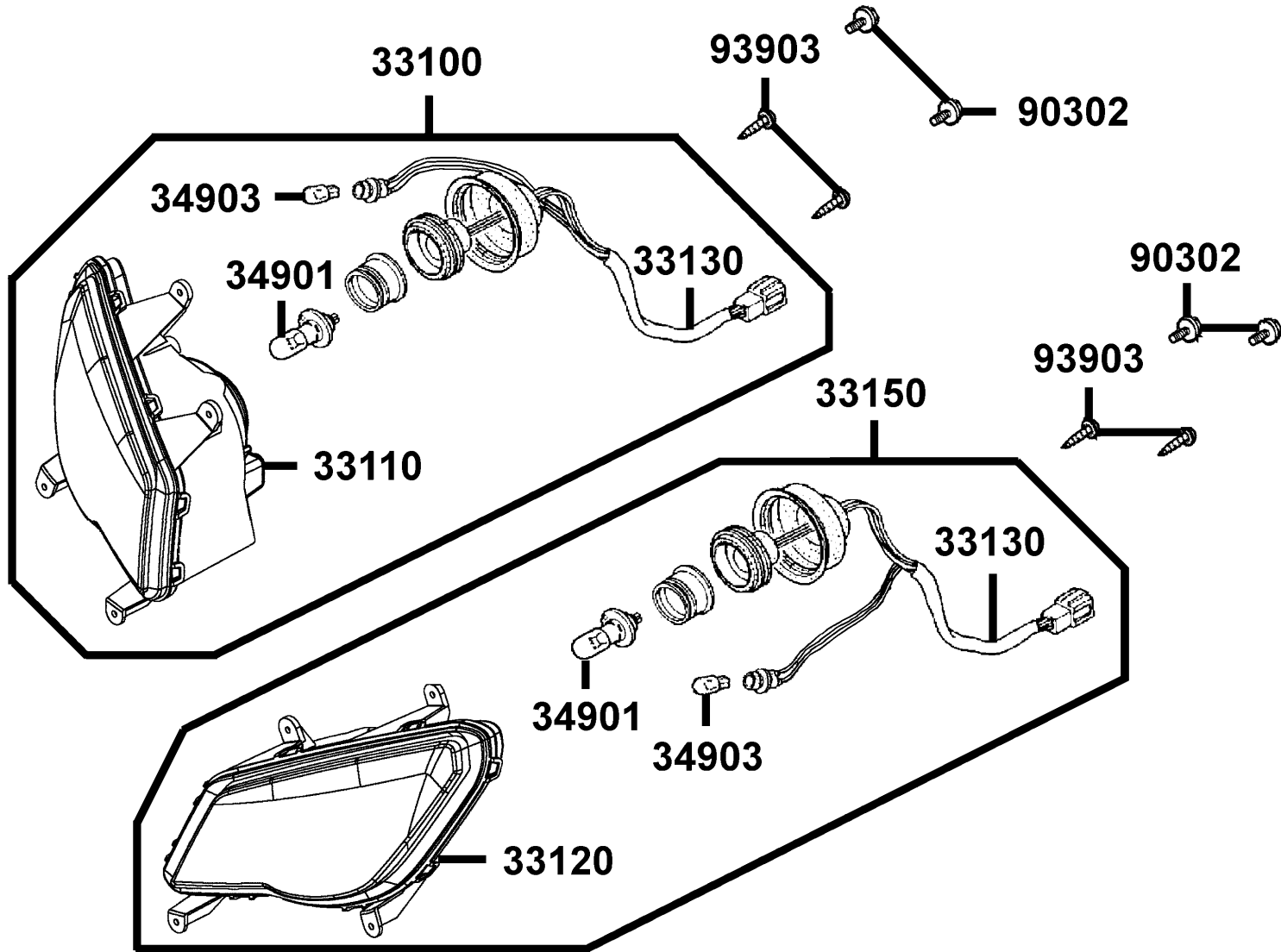


Sales mark	Ref no	Part no	Description	Reg description	Regd no	E11
------------	--------	---------	-------------	-----------------	---------	------------

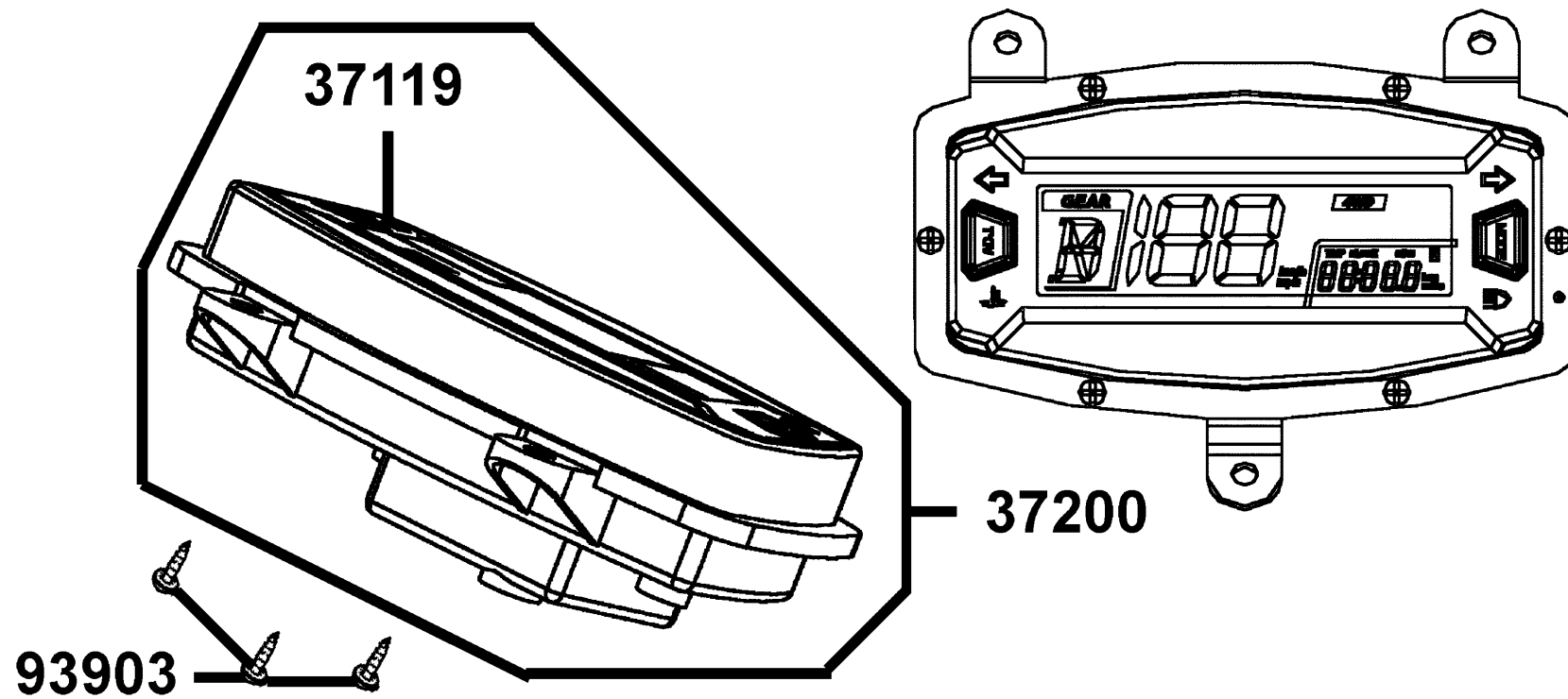
	Z050-588-0001	Z050-588-0001	CHAMBER ASSY FLOAT	CHAMBER ASSY FLOAT	1	
--	---------------	---------------	--------------------	--------------------	---	--

F01

Head Light



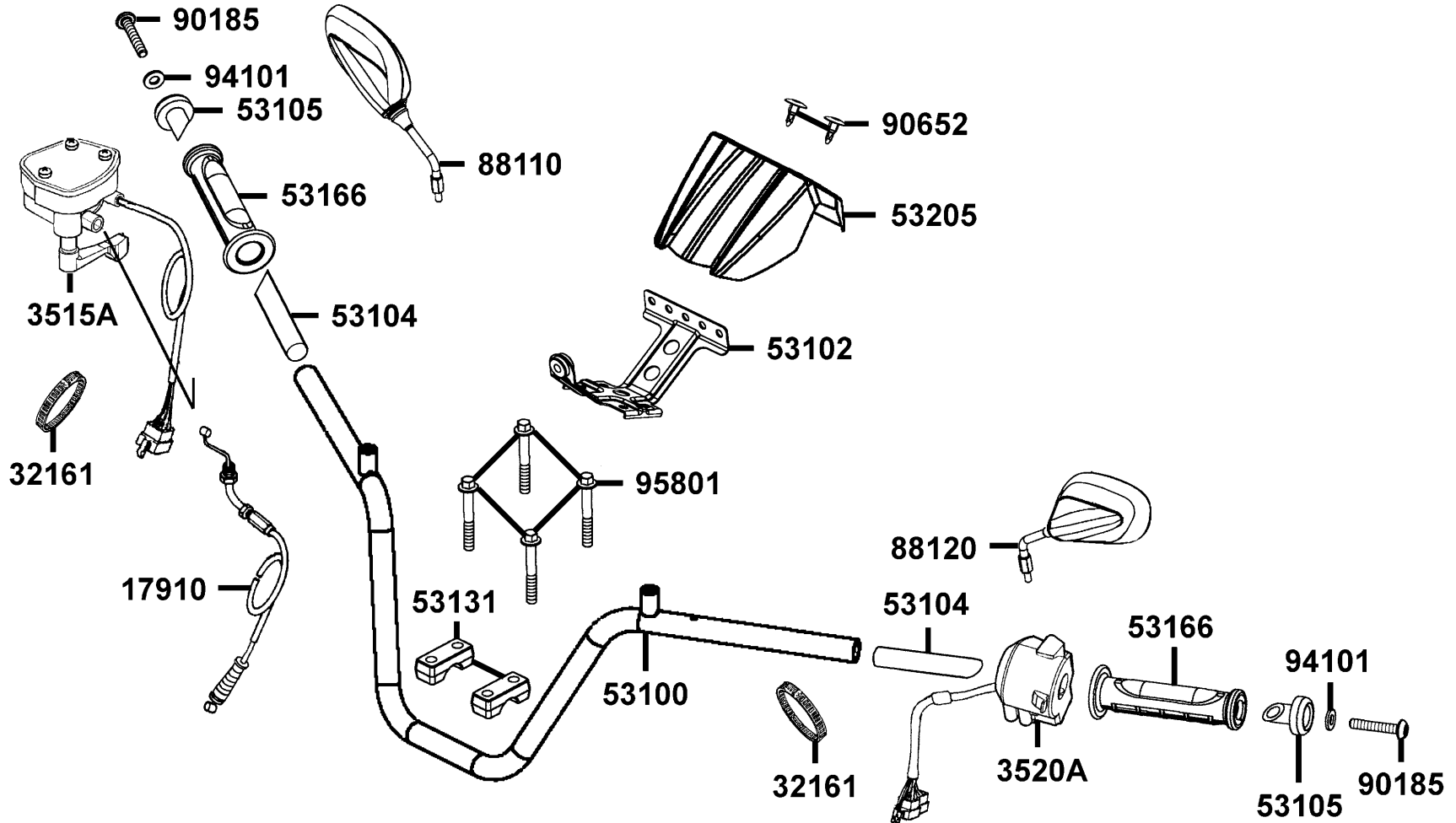
Sales mark	Ref no	Part no	Description	Reg description	Regd no	F01
	33100	33100-LFA5-E00	LIGHT ASS'Y R HEAD	LIGHT ASS'Y R HEAD	1	
	33110	33110-LFA5-E00	UNIT HEAD LIGHT R	UNIT HEAD LIGHT R	1	
	33120	33120-LFA5-E00	UNIT HEAD LIGHT L	UNIT HEAD LIGHT L	1	
	33130	33130-LFA5-E00	SOCKET COMP	SOCKET COMP	2	
	33150	33150-LFA5-E00	LIGHT ASSY L HEAD	LIGHT ASSY L HEAD	1	
	34901	34901-KFA6-900	BULB HEAD LIGHT	BULB HEAD LIGHT	2	
	34903	34903-KPCP-900	BULB POSITION	BULB POSITION	2	
	90302	90302-PWA1-900	BOLT-WASH 5*16	BOLT-WASH 5*16	4	
	93903	93903-35260	SCREW TAPPING 5*12	SCREW TAPPING 5*12	4	



Sales mark	Ref no	Part no	Description	Reg description	Regd no	F02
	37119	37119-LFA5-E00	LENS ASSY	LENS ASSY	1	
	37200	37200-PWB1-E00	DIGITAL GAUGE	DIGITAL GAUGE	1	
	93903	93903-35360	SCREW TAPPING 5*16	SCREW TAPPING 5*16	3	

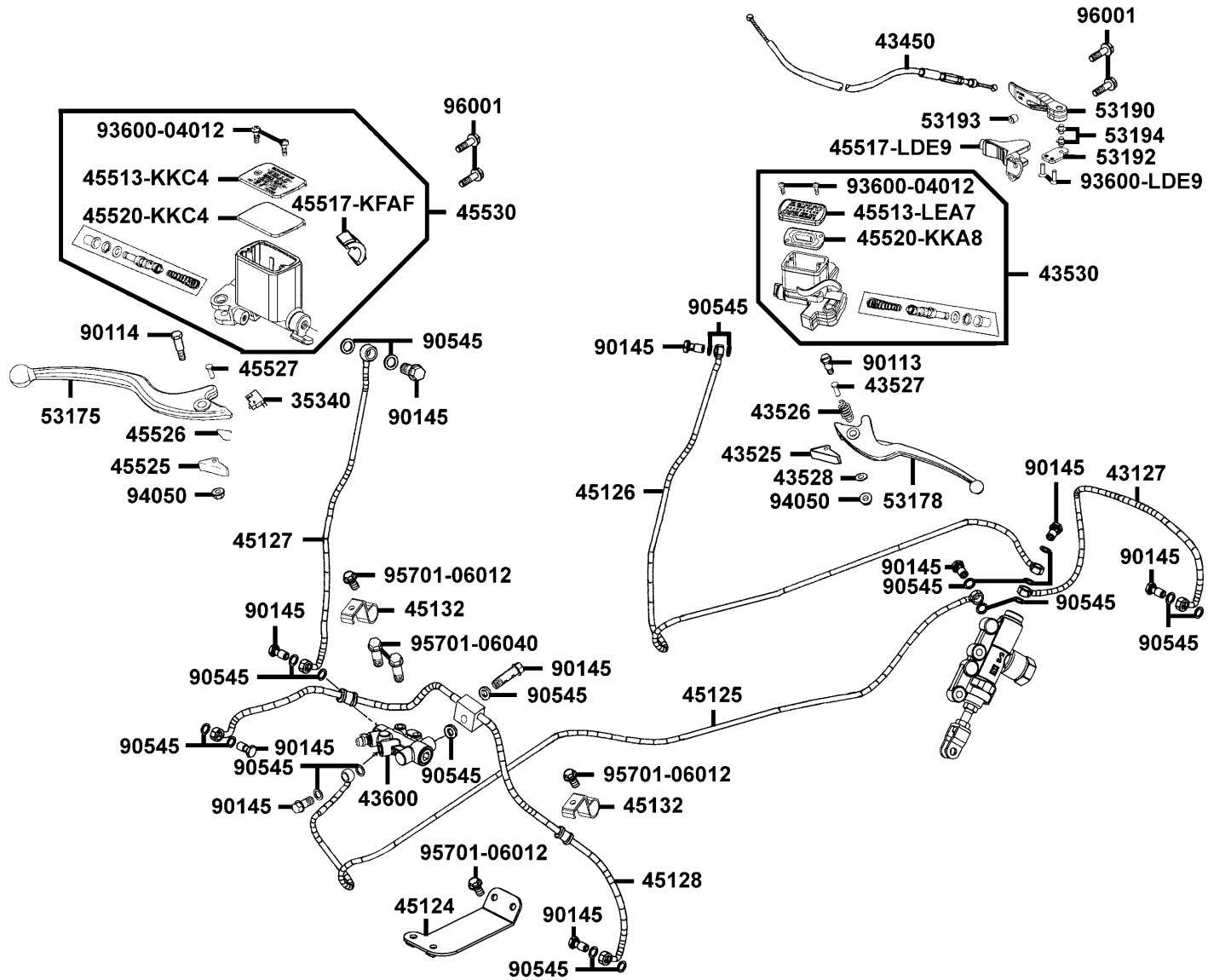
F03

Tube Handlebar



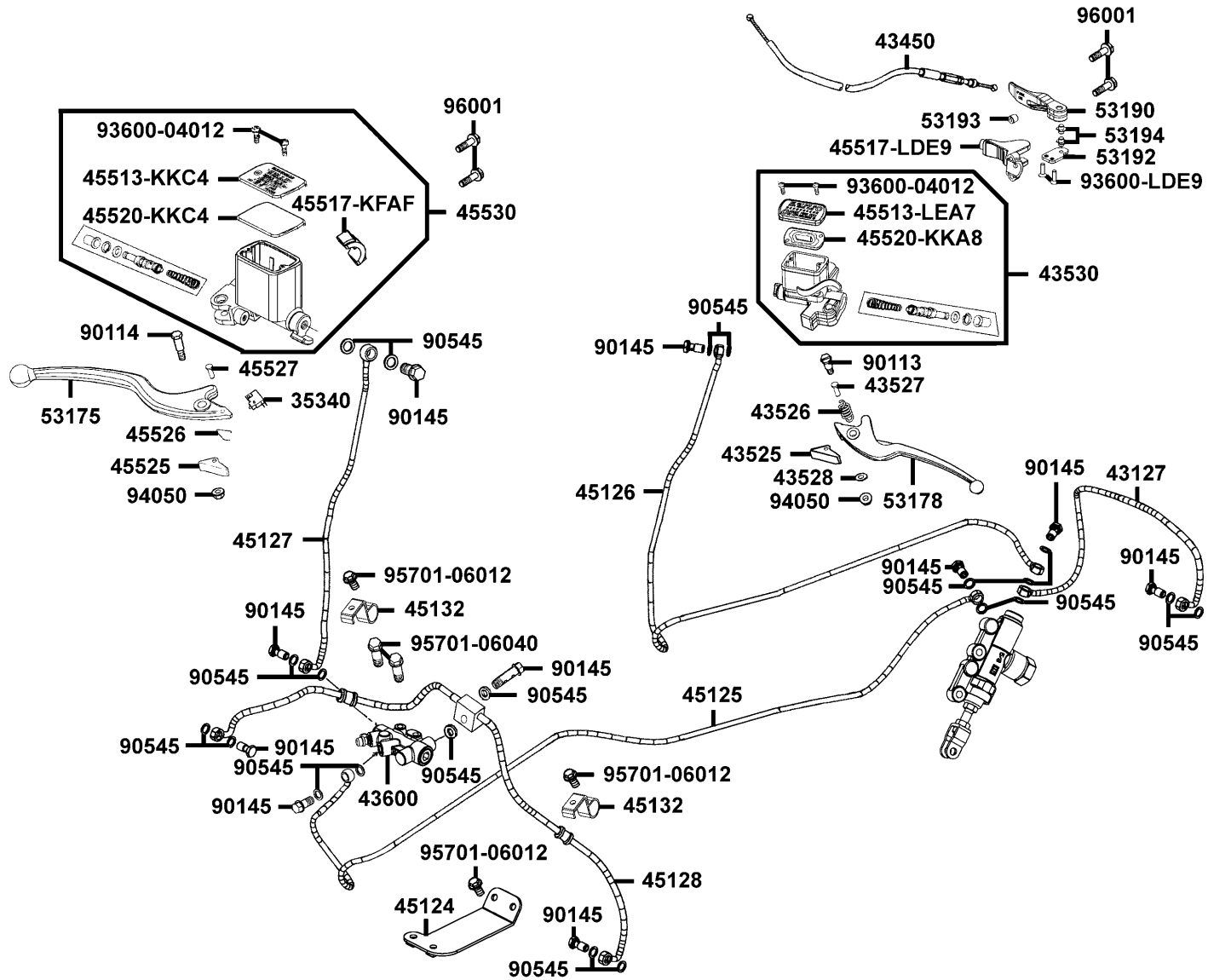
Sales mark	Ref no	Part no	Description	Reg description	Regd no	F03
	17910	17910-LFA5-E00	CABLE COMP THROT	CABLE COMP THROT	1	
	32161	32161-4D04-001	BAND BI WIRE	BAND BI WIRE	2	
	3515A	3515A-LDB5-E00	SW & THROT ASSY RH HNDL	SW & THROT ASSY RH HNDL	1	
	3520A	3520A-LDB5-E00	SW ASSY HANDLE COMP	SW ASSY HANDLE COMP	1	
	53100	53100-LFA5-E00	TUBE HANDLEBAR	TUBE HANDLEBAR	1	
	53102	53102-LFA5-E00	STAY HANDLE COVER	STAY HANDLE COVER	1	
	53104	53104-PWB1-900	PLUG HANDLEBAR	PLUG HANDLEBAR	2	
	53105	53105-PWB1-900	END HANDLEBAR-BLACK	END HANDLEBAR-BLACK	2	
	53131	53131-PWB1-900	CAP STEERING ADJUSTER	CAP STEERING ADJUSTER	2	
	53166	53166-PWB1-900	GRIP HANDLEBAR	GRIP HANDLEBAR	2	
**	53205	53205-LFA5-E00	COVER HANDLE	COVER HANDLE	1	
	88110	88110-LBA7-E00	MIRROR ASSY R BACK	MIRROR ASSY R BACK	1	
	88120	88120-LBA7-E00	MIRROR ASSY L BACK	MIRROR ASSY L BACK	1	
	90185	90185-PWB1-900	SOCKET BOLT 8x45	SOCKET BOLT 8x45	2	
	90652	90652-LCA4-E00	CLIP MUDGUARD	CLIP MUDGUARD	2	
	94101	94101-08600	WASHER PLAIN 8MM	WASHER PLAIN 8MM	2	
	95801	95801-08055-08	BOLT FLANGE 8*55	BOLT FLANGE 8*55	4	

Master Cylinder



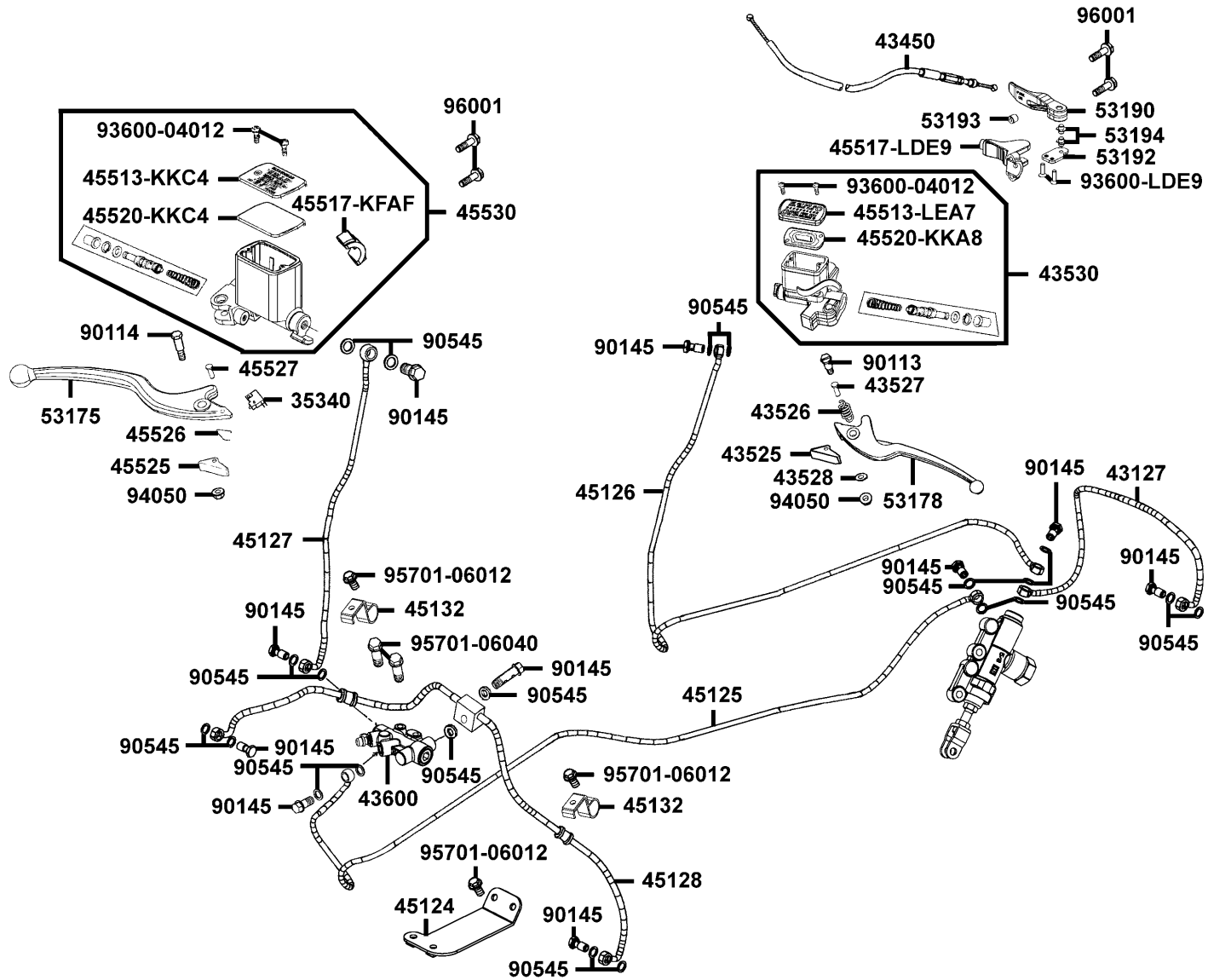
Sales mark	Ref no	Part no	Description	Reg description	Regd no	F04
35340		35340-LDB5-900	SW ASSY FR STOP	SW ASSY FR STOP	1	
43127		43127-LFA5-E00	HOSE BRAKE SECONDARY	HOSE BRAKE SECONDARY	1	
43450		43450-LFA5-E00	CABLE PARKING BRAKE	CABLE PARKING BRAKE	1	
43525		43525-PWA1-900	LEVER PARKING	LEVER PARKING	1	
43526		43526-PWA1-900	SPRING RETURN	SPRING RETURN	1	
43527		43527-PWA1-900	PIN	PIN	1	
43528		43528-PWA1-900	CLIP	CLIP	1	
43530		43530-LFA5-305	CYLINDER SET RR MASTER	CYLINDER SET RR MASTER	1	
43600		43600-LDB5-E00	PGV ASSY	PGV ASSY	1	
45124		45124-PWB1-E00	STAY PGV	STAY PGV	1	
45125		45125-LFA5-E00	HOSE BRAKE-JUNCTION/DIRM	HOSE BRAKE-JUNCTION/DIRM	1	
45126		45126-LFA5-E00	HOSE ASSY FR BRK	HOSE ASSY FR BRK	1	
45127		45127-LFA5-E00	HOSE BRAKE LH M/C-FOOT M/C	HOSE BRAKE LH M/C-FOOT M/C	1	
45128		45128-LFA5-E01	HOSE FR BRK	HOSE FR BRK	1	
45132		45132-LBA7-900	CLAMPER FR BRAKE HOSE	CLAMPER FR BRAKE HOSE	2	
45513-KKC4		45513-KKC4-900	CAP M/C	CAP M/C	1	
45513-LEA7		45513-LEA7-E00	CAP M/C	CAP M/C	1	
45517-KFAF		45517-KFAF-910	HOLDER M/C	HOLDER M/C	1	
45517-LDE9		45517-LDE9-E00	HOLDER	HOLDER	1	
45520-KKA8		45520-KKA8-900	DIAPHRAGM	DIAPHRAGM	1	

Master Cylinder



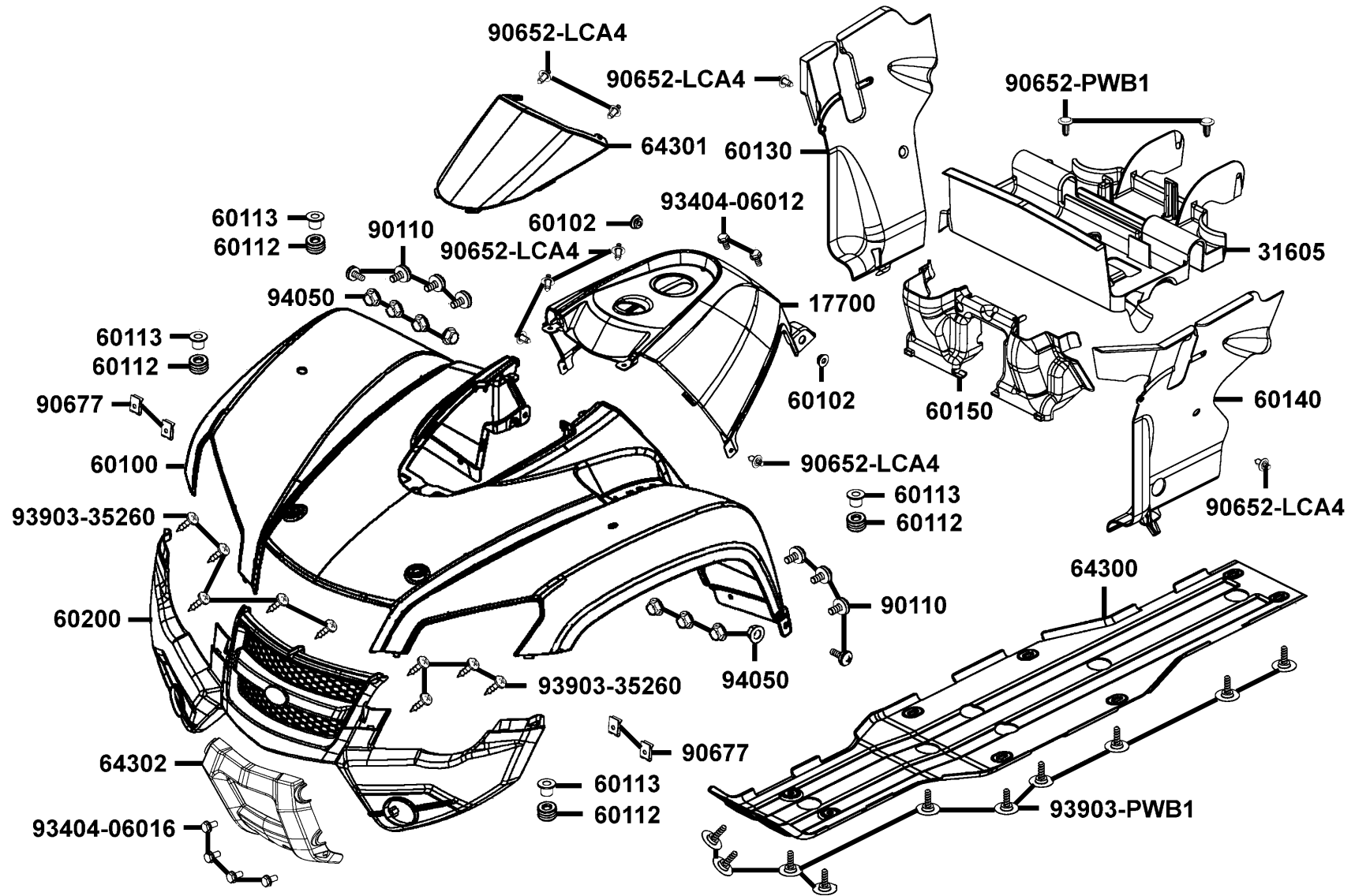
Sales mark	Ref no	Part no	Description	Reg description	Regd no	F04
	45520-KKC4	45520-KKC4-900	DIAPHRAGM	DIAPHRAGM	1	
	45525	45525-LBA7-900	STOPPER	STOPPER	1	
	45526	45526-LBA7-900	SPRING	SPRING	1	
	45527	45527-LBA7-900	PIN PARK	PIN PARK	1	
	45530	45530-LDB5-305	CYLINDER SET FR	CYLINDER SET FR	1	
	53175	53175-LFA5-E00	LEVER R STRG HANDLE	LEVER R STRG HANDLE	1	
	53178	53178-PWA1-900	LEVER L STRG HANDLE	LEVER L STRG HANDLE	1	
	53190	53190-LDE9-E00	LEVER	LEVER	1	
	53192	53192-LDE9-E00	BRACKET	BRACKET	1	
	53193	53193-LDE9-E00	STOPPER	STOPPER	1	
	53194	53194-LDE9-E00	PIVOT	PIVOT	2	
	90113	90113-KKA8-900	BOLT L STEERING HANDLE	BOLT L STEERING HANDLE	1	
	90114	90114-1F66-007	BOLT HANDLE LEVER	BOLT HANDLE LEVER	1	
	90145	90145-MKS9-61A	OIL BOLT 10*22	OIL BOLT 10*22	10	
	90545	90545-3L00-001	WASHER OIL BOLT	WASHER OIL BOLT	21	
	93600-04012	93600-04012-1G	SCREW FLAT 4*12	SCREW FLAT 4*12	4	
	93600-LDE9	93600-LDE9-E00	SCREW FLAT M6	SCREW FLAT M6	2	
	94050	94050-06060	NUT FLANGE 6MM	NUT FLANGE 6MM	2	
	95701-06012	95701-06012-06	BOLT FLANGE 6*12	BOLT FLANGE 6*12	3	
	95701-06040	95701-06040-06	BOLT FLANGE 6*40	BOLT FLANGE 6*40	2	

Master Cylinder



Sales mark	Ref no	Part no	Description	Reg description	Regd no	F04
------------	--------	---------	-------------	-----------------	---------	------------

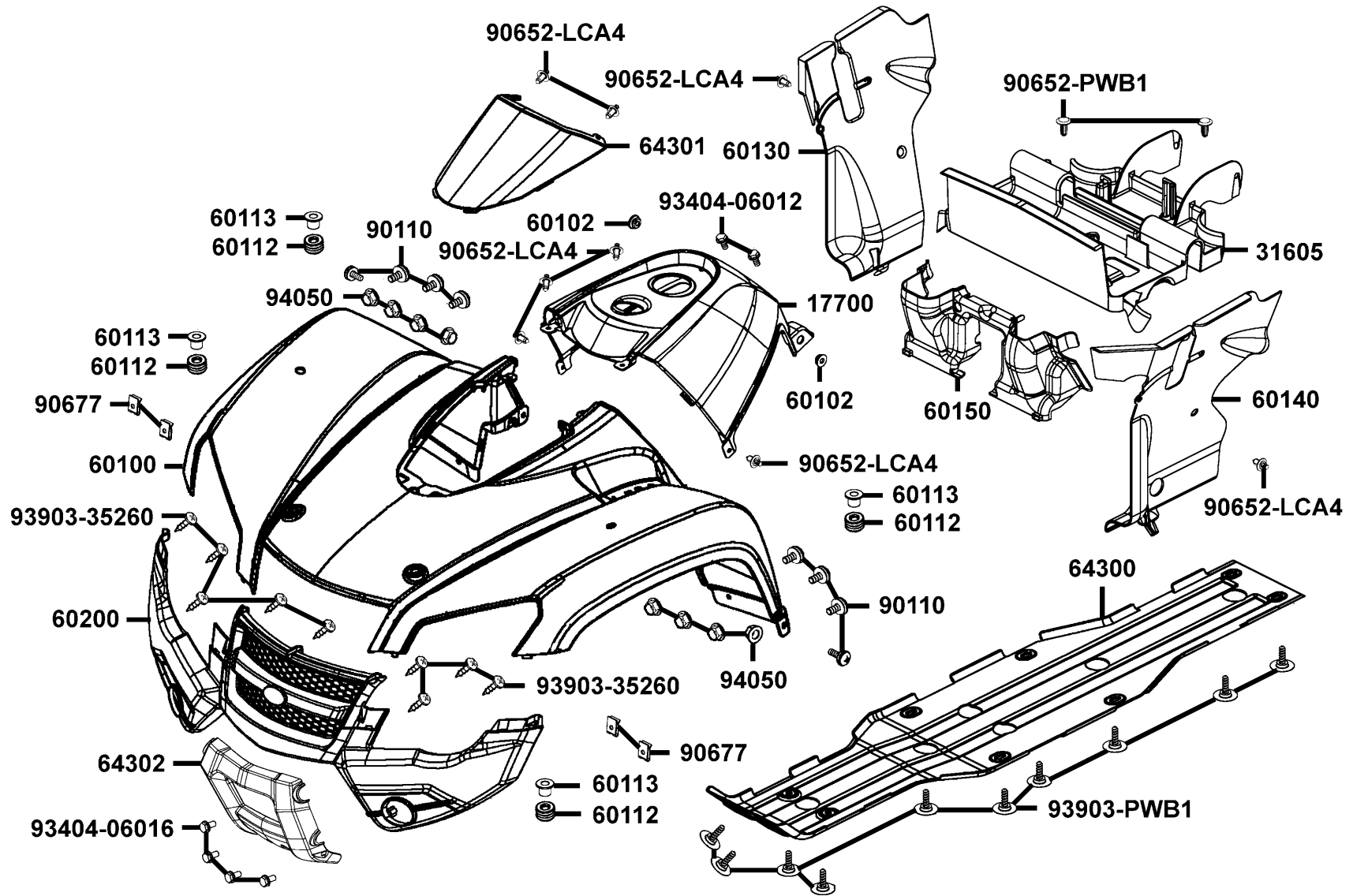
96001	96001-06022-06	96001-06022-06	BOLT FLANGE 6*20	BOLT FLANGE 6*20	4	
-------	----------------	----------------	------------------	------------------	---	--



Sales mark	Ref no	Part no	Description	Reg description	Regd no	F05
**	17700	17700-LFA5-E00	COVER TANK	COVER TANK	1	
**	31605	31605-PWB1-900	TRAY ELECTRICAL	TRAY ELECTRICAL	1	
**	60100	60100-LFA5-E00	FENDER FRONT	FENDER FRONT	1	
	60102	60102-PWB1-900	GROMMET PANEL-SIDE	GROMMET PANEL-SIDE	2	
	60112	60112-PWB1-900	GROMMET	GROMMET	4	
	60113	60113-PWB1-900	SPACER STELL	SPACER STELL	4	
**	60130	60130-PWB1-910	PANEL SPLASH-RIGHT	PANEL SPLASH-RIGHT	1	
**	60140	60140-PWB1-E01	PANEL,SPLASH-LEFT	PANEL,SPLASH-LEFT	1	
**	60150	60150-LFA5-E01	COVER WATERPROOF	COVER WATERPROOF	1	
**	60200	60200-LFA5-E00	MUDGUARD FRONT	MUDGUARD FRONT	1	
**	64300	64300-PWB1-910	PLATE SKID	PLATE SKID	1	
**	64301	64301-LFA5-E00	COVER FRONT	COVER FRONT	1	
**	64302	64302-LFA5-E01	BUMPER FRONT	BUMPER FRONT	1	
	90110	90110-PWB1-900	SCREW SPECIAL 6X20	SCREW SPECIAL 6X20	8	
	90652-LCA4	90652-LCA4-E00	CLIP MUDGUARD	CLIP MUDGUARD	8	
	90652-PWB1	90652-PWB1-900	X'MAS TREE CLIP	X'MAS TREE CLIP	2	
	90677	90677-GAR1-004	NUT CLIP 5MM	NUT CLIP 5MM	4	
	93404-06012	93404-06012-06	BOLT WASH 6*12	BOLT WASH 6*12	2	
	93404-06016	93404-06016-06	BOLT WASHER 6*16	BOLT WASHER 6*16	4	
	93903-35260	93903-35260	SCREW TAPPING 5*12	SCREW TAPPING 5*12	9	

F05

Fender Front



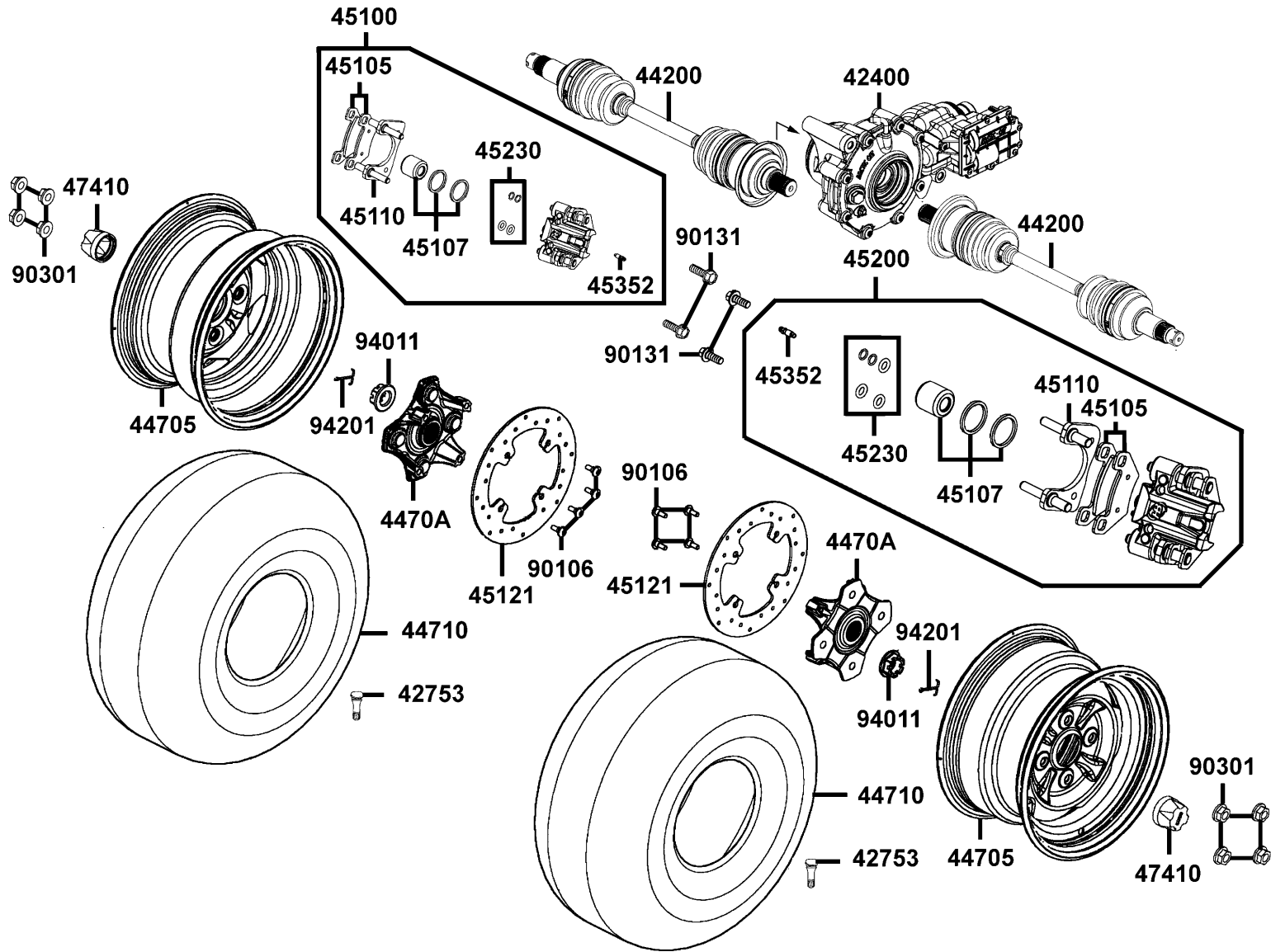
Sales mark	Ref no	Part no	Description	Reg description	Regd no	F05
	93903-PWB1	93903-PWB1-900	SCREW BODY-SELF TAP #12x3/4 A	SCREW BODY-SELF TAP #12x3/4 A	10	
	94050	94050-LDE9-E00	NUT LOCK	NUT LOCK	8	

Sales mark	Ref no	Part no	Description	Reg description	Regd no	F06
	47400	47400-PWB1-900	KNUCKLE STEERING ASSEMBLY	KNUCKLE STEERING ASSEMBLY	1	
	47500	47500-PWB1-900	KNUCKLE STEERING ASSEMBLY	KNUCKLE STEERING ASSEMBLY	1	
**	51400	51400-PWB1-900	CUSHION ASSY FR	CUSHION ASSY FR	2	
	52103	52103-PWB1-900	SLEEVE SUSPENSION	SLEEVE SUSPENSION	2	
	52104	52104-PWB1-900	SLEEVE SUSPENSION	SLEEVE SUSPENSION	4	
	52108	52108-PWB1-900	BUSHING SUSPENSION	BUSHING SUSPENSION	12	
	52144	52144-PWB1-900	SEAL SUSPENSION	SEAL SUSPENSION	12	
	53200	53200-LFA5-E00	POST STEERING	POST STEERING	1	
	53250	53250-PWB1-900	BEARING STEERING-LOW SPEED	BEARING STEERING-LOW SPEED	1	
	53251	53251-PWB1-900	HOUSING LOWER	HOUSING LOWER	1	
	53252	53252-PWB1-900	HOUSING UPPER	HOUSING UPPER	1	
	53253	53253-PWB1-900	CAP HOUSING	CAP HOUSING	1	
	53261	53261-PWB1-900	FLANGE BEARING-TWO MTG HOLE	FLANGE BEARING-TWO MTG HOLE	1	
**	53400	53400-PWB1-900	A-ARM FRONT-UPPER-RH/LH-ASSY	A-ARM FRONT-UPPER-RH/LH-ASSY	1	
	53410	53410-PWB1-900	BALL JOINT ASSY	BALL JOINT ASSY	4	
**	53450	53450-PWB1-900	A-ARM FRONT LOWER RH/LH ASSY	A-ARM FRONT LOWER RH/LH ASSY	1	
**	53500	53500-PWB1-900	A-ARM FRONT-UPPER-RH/LH-ASSY	A-ARM FRONT-UPPER-RH/LH-ASSY	1	
**	53550	53550-PWB1-900	A-ARM FRONT LOWER RH/LH ASSY	A-ARM FRONT LOWER RH/LH ASSY	1	
	53700	53700-PWB1-900	TIE ROD -ASSY	TIE ROD -ASSY	2	
	53702	53702-PWB1-900	JOINT R BALL	JOINT R BALL	2	

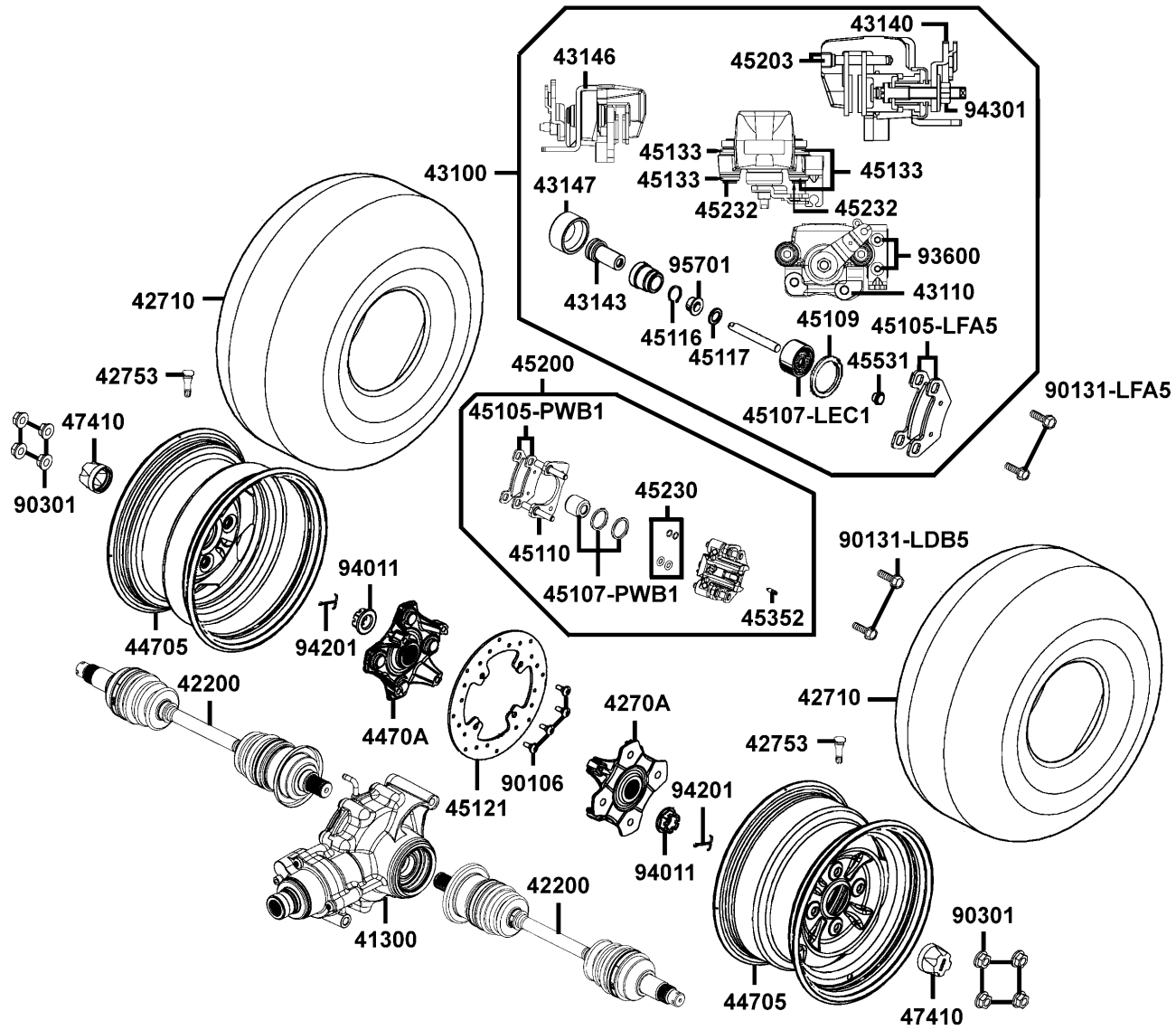
Sales mark	Ref no	Part no	Description	Reg description	Regd no	F06
	53703	53703-PWB1-900	JOINT L BALL	JOINT L BALL	2	
	90304-GLW0	90304-GLW0-90A	NUT U FLANGE 10MM	NUT U FLANGE 10MM	10	
	90304-PWB1	90304-PWB1-900	NUT TOP LOCK	NUT TOP LOCK	4	
	94001-PWB1-800	94001-PWB1-800	NUT FLANGR 16mm	NUT FLANGR 16mm	2	
	94001-PWB1-900	94001-PWB1-900	NUT FLANGR 16mm	NUT FLANGR 16mm	2	
	94101	94101-PWB1-900	WASHER FLAT	WASHER FLAT	1	
	94201	94201-25200	PIN SPLIT 2.5*20	PIN SPLIT 2.5*20	4	
	94510	94510-PWB1-900	CIRCLIP EX 29	CIRCLIP EX 29	4	
	94520	94520-55000	CIR CLIP IN 55	CIR CLIP IN 55	2	
	95701-08020	95701-08020-06	BOLT FLANGE 8*20	BOLT FLANGE 8*20	2	
	95701-10020	95701-10020-06	BOLT FLANGE 10*20	BOLT FLANGE 10*20	1	
	95801-10030	95801-10030-06	BOLT FLANGE 10*30(G)	BOLT FLANGE 10*30(G)	4	
	95801-10040	95801-10040-08	BOLT FLANGE 10*40	BOLT FLANGE 10*40	4	
	95801-10085	95801-10085-06	BOLT FLANGE 10*85	BOLT FLANGE 10*85	4	
	95801-PWB1	95801-PWB1-900	SCREW SHOULDER-HFH M8	SCREW SHOULDER-HFH M8	2	
	95802	95802-PWB1-900	SCREW CAP-HFH M10x1.25	SCREW CAP-HFH M10x1.25	2	
	96151	96151-PWB1-900	BEARING WHEEL	BEARING WHEEL	2	

F07

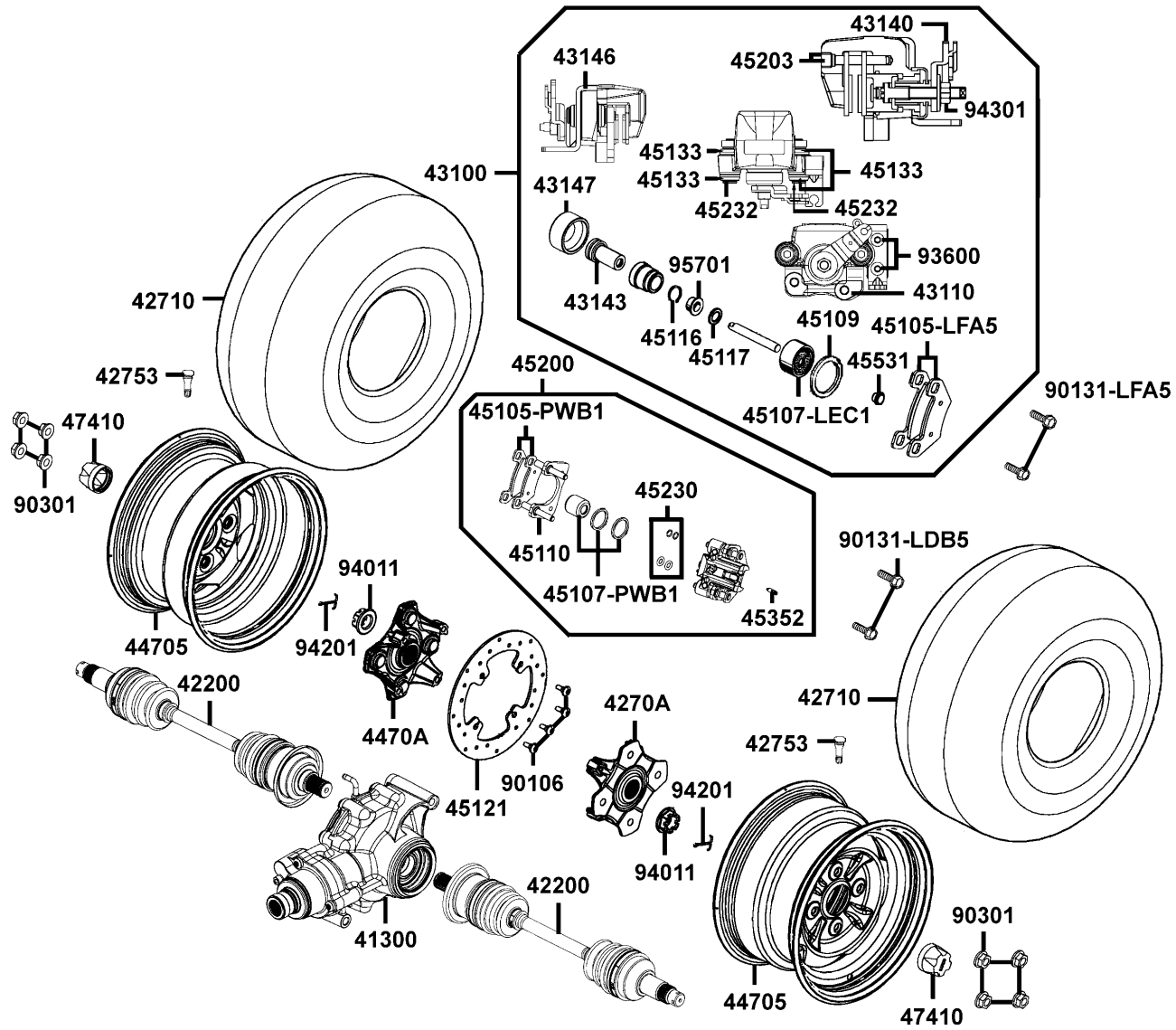
Front Wheel



Sales mark	Ref no	Part no	Description	Reg description	Regd no	F07
	42400	42400-PWB1-900	GEARCASE FRONT ASSEMBLY	GEARCASE FRONT ASSEMBLY	1	
	42753	42753-KNBN-90B	VALAE RIM (TR412)	VALAE RIM (TR412)	2	
	44200	44200-PWB1-800	HALFSHAFT FRONT	HALFSHAFT FRONT	2	
**	44705	44705-LFA5-900	RIM COMP WHEEL	RIM COMP WHEEL	2	
	4470A	4470A-LFA5-E00	HUB ASSEMBLY	HUB ASSEMBLY	2	
	44710	44710-LFA5-E00	TIRE ASSY FR	TIRE ASSY FR	2	
	45100	45100-PWB1-900	CALIPER BRAKE RH	CALIPER BRAKE RH	1	
	45105	45105-PWB1-305	BRAKE PADS	BRAKE PADS	2	
	45107	45107-PWB1-305	PISTON AND SEALS	PISTON AND SEALS	2	
	45110	45110-PWB1-305	MOUNT BRACKET ASSEMBLS	MOUNT BRACKET ASSEMBLS	2	
	45121	45121-PWB1-900	DISK BRAKE	DISK BRAKE	2	
	45200	45200-PWB1-900	CALIPER BRAKE LH	CALIPER BRAKE LH	1	
	45230	45230-PWB1-305	GUIDE O RINGS	GUIDE O RINGS	2	
	45352	45352-PWB1-305	BLEEDER	BLEEDER	2	
	47410	47410-LDB5-E00	CAP WHEEL SHAFT	CAP WHEEL SHAFT	2	
	90106	90106-PWB1-900	BOLT SHOULDER	BOLT SHOULDER	8	
	90131	90131-LDB5-E00	BOLT FLANGE 8*20	BOLT FLANGE 8*20	4	
	90301	90301-PWB1-900	NUT LUG-M10 (60 DEG)	NUT LUG-M10 (60 DEG)	8	
	94011	94011-PWB1-900	NUT CASTLE FLANGE M22x1.5	NUT CASTLE FLANGE M22x1.5	2	
	94201	94201-30400	PIN SPLIT 3*40	PIN SPLIT 3*40	2	



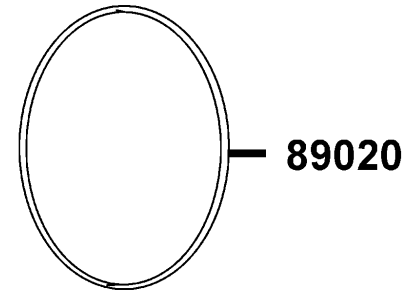
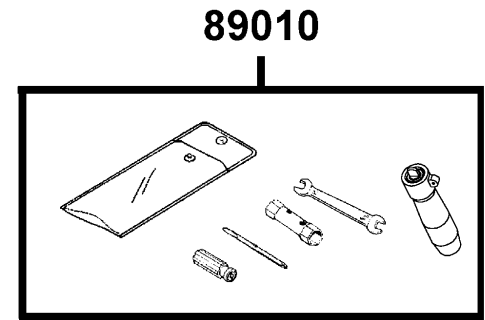
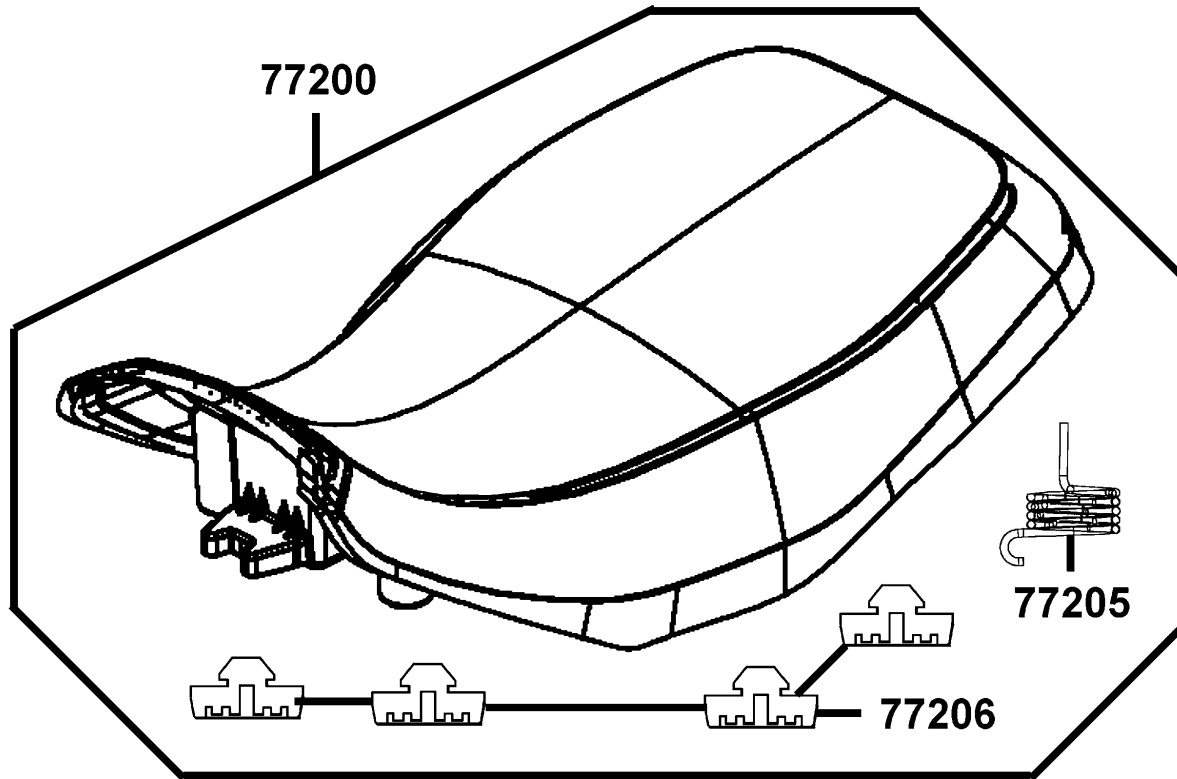
Sales mark	Ref no	Part no	Description	Reg description	Regd no	F08
	41300	41300-PWB1-900	GEARCASE REAR(3.1)-ASSEMBLY	GEARCASE REAR(3.1)-ASSEMBLY	1	
	42200	42200-PWB1-800	HALFSHAFT REAR	HALFSHAFT REAR	2	
	4270A	4270A-LFA5-E00	HUB ASSEMBLY	HUB ASSEMBLY	1	
	42710	42710-LFA5-E00	TIRE ASSY R	TIRE ASSY R	2	
	42753	42753-KNBN-90B	VALAE RIM (TR412)	VALAE RIM (TR412)	2	
**	43100	43100-LFA5-E00	CALIPER ASSY REAR	CALIPER ASSY REAR	1	
	43110	43110-LFA5-E00	BRACKET CAILPER	BRACKET CAILPER	1	
	43140	43140-LEC1-E00	ARM BRAKE	ARM BRAKE	1	
	43143	43143-LEC1-E00	BOLT DRIVE	BOLT DRIVE	1	
	43146	43146-LEC1-E00	BRACKET CABLE	BRACKET CABLE	1	
	43147	43147-LEC1-E00	CAP	CAP	1	
**	44705	44705-LFA5-900	RIM COMP WHEEL	RIM COMP WHEEL	2	
	4470A	4470A-LFA5-E00	HUB ASSEMBLY	HUB ASSEMBLY	1	
	45105-LFA5	45105-LFA5-305	PAD ASSY	PAD ASSY	1	
	45105-PWB1	45105-PWB1-305	BRAKE PADS	BRAKE PADS	1	
	45107-LEC1	45107-LEC1-E00	PISTON	PISTON	1	
	45107-PWB1	45107-PWB1-305	PISTON AND SEALS	PISTON AND SEALS	1	
	45109	45109-LEC1-E00	SEAL DUST	SEAL DUST	1	
	45110	45110-PWB1-305	MOUNT BRACKET ASSEMBLS	MOUNT BRACKET ASSEMBLS	1	
	45116	45116-LEC1-E00	CLIP	CLIP	1	



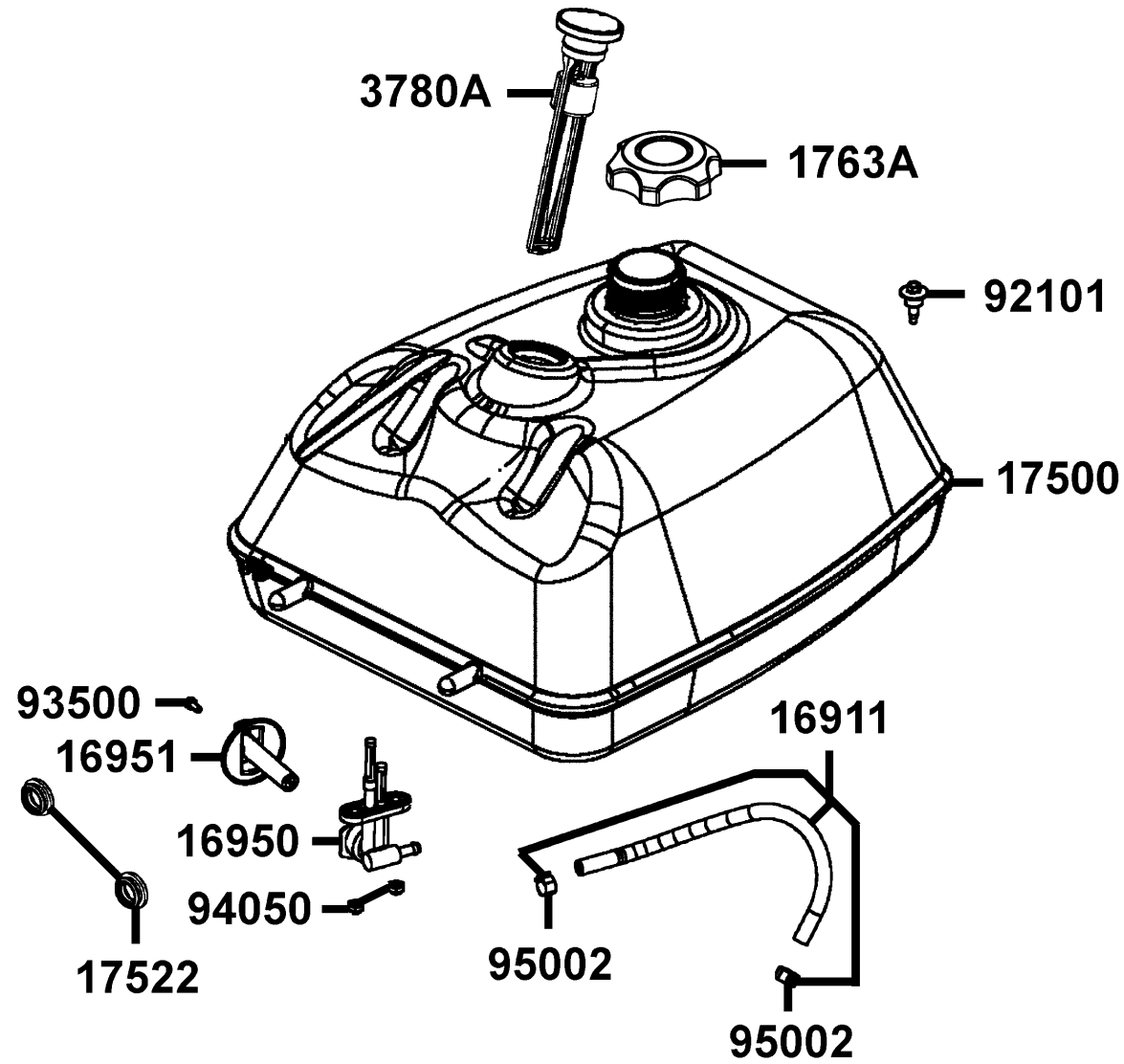
Sales mark	Ref no	Part no	Description	Reg description	Regd no	F08
	45117	45117-LEC1-E00	WASHER	WASHER	1	
	45121	45121-PWB1-900	DISK BRAKE	DISK BRAKE	1	
	45133	45133-LEC1-E00	BOOT	BOOT	4	
	45200	45200-PWB1-900	CALIPER BRAKE LH	CALIPER BRAKE LH	1	
	45203	45203-LEC1-E00	PIN HANGER	PIN HANGER	2	
	45230	45230-PWB1-305	GUIDE O RINGS	GUIDE O RINGS	1	
	45232	45232-LEC1-E00	PIN BOLT	PIN BOLT	2	
	45352	45352-PWB1-305	BLEEDER	BLEEDER	1	
	45531	45531-LEC1-E00	PLUG	PLUG	1	
	47410	47410-LDB5-E00	CAP WHEEL SHAFT	CAP WHEEL SHAFT	2	
	90106	90106-PWB1-900	BOLT SHOULDER	BOLT SHOULDER	4	
	90131-LDB5	90131-LDB5-E00	BOLT FLANGE 8*20	BOLT FLANGE 8*20	2	
	90131-LFA5	90131-LFA5-E00	BOLT FLANGE 8x22(G)	BOLT FLANGE 8x22(G)	2	
	90301	90301-PWB1-900	NUT LUG-M10 (60 DEG)	NUT LUG-M10 (60 DEG)	8	
	93600	93600-LEC1-E00	SCREW FLAT 6MM	SCREW FLAT 6MM	2	
	94011	94011-PWB1-900	NUT CASTLE FLANGE M22x1.5	NUT CASTLE FLANGE M22x1.5	2	
	94201	94201-30400	PIN SPLIT 3*40	PIN SPLIT 3*40	2	
	94301	94301-08060	NUT HEC 8MM	NUT HEC 8MM	1	
	95701	95701-LEC1-E00	BOLT ADJUST	BOLT ADJUST	1	

F09

Seat



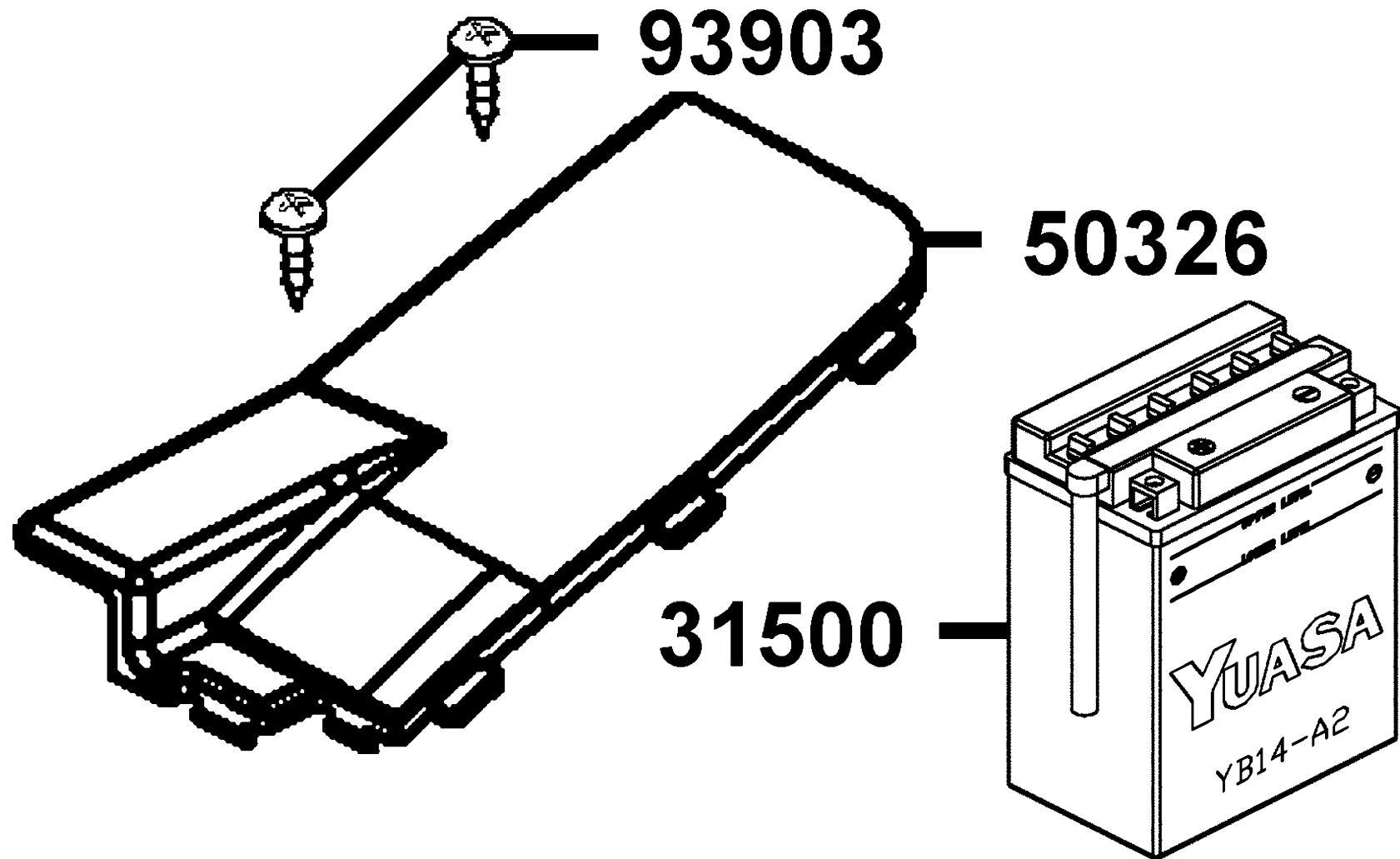
Sales mark	Ref no	Part no	Description	Reg description	Regd no	F09
**	77200	77200-LFA5-E00	SEAT ASSY	SEAT ASSY	1	
	77205	77205-PWB1-900	SPRING LATCH	SPRING LATCH	1	
	77206	77206-LBA7-900	RUBBER SEAT CUSH	RUBBER SEAT CUSH	4	
	89010	89010-PWB1-900	TOOL SET	TOOL SET	1	
	89020	89020-KKC4-900	BAND TOOL SET	BAND TOOL SET	1	



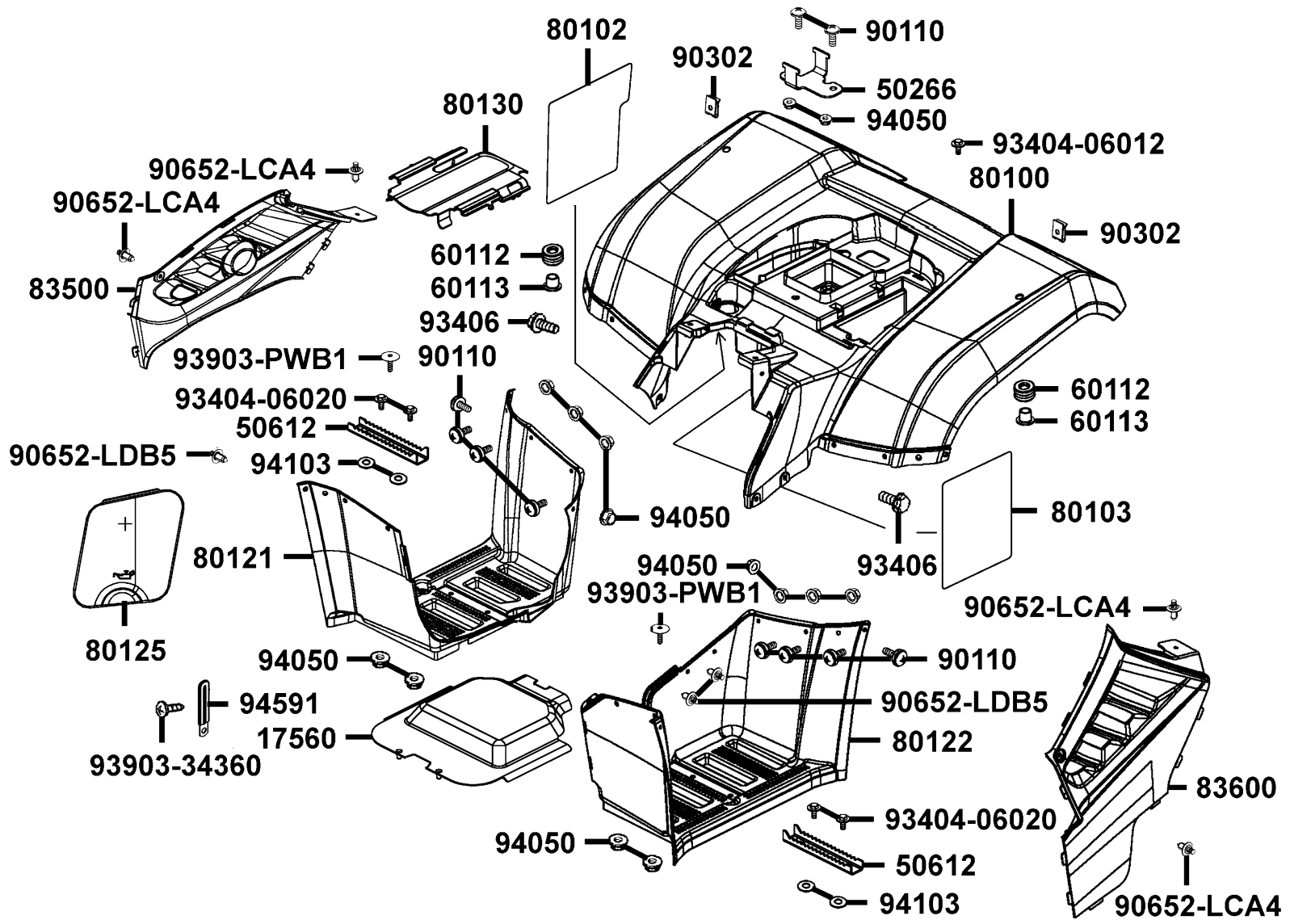
Sales mark	Ref no	Part no	Description	Reg description	Regd no	F10
	16911	16911-LFA5-E00	TUBE ASSY FUEL	TUBE ASSY FUEL	1	
	16950	16950-PWB1-900	COCK FUEL	COCK FUEL	1	
	16951	16951-PWB1-900	KNOB FUEL TANK	KNOB FUEL TANK	1	
	17500	17500-LFA5-E00	TANK COMP FUEL	TANK COMP FUEL	1	
	17522	17522-PWB1-900	GROMMET FUEL TANK	GROMMET FUEL TANK	2	
	3780A	3780A-PWB1-900	GAUGE FUEL W/SEAL	GAUGE FUEL W/SEAL	1	
	92101	92101-PWB1-900	SCREW FUEL TANK	SCREW FUEL TANK	1	
	93500	93500-04010-0G	SCREW PAN 4X10	SCREW PAN 4X10	1	
	94050	94050-PWA2-900	NUT LOCK	NUT LOCK	2	
	95002	95002-40950-08	CLAMP D9.5 TUBE	CLAMP D9.5 TUBE	2	

F11

Battery

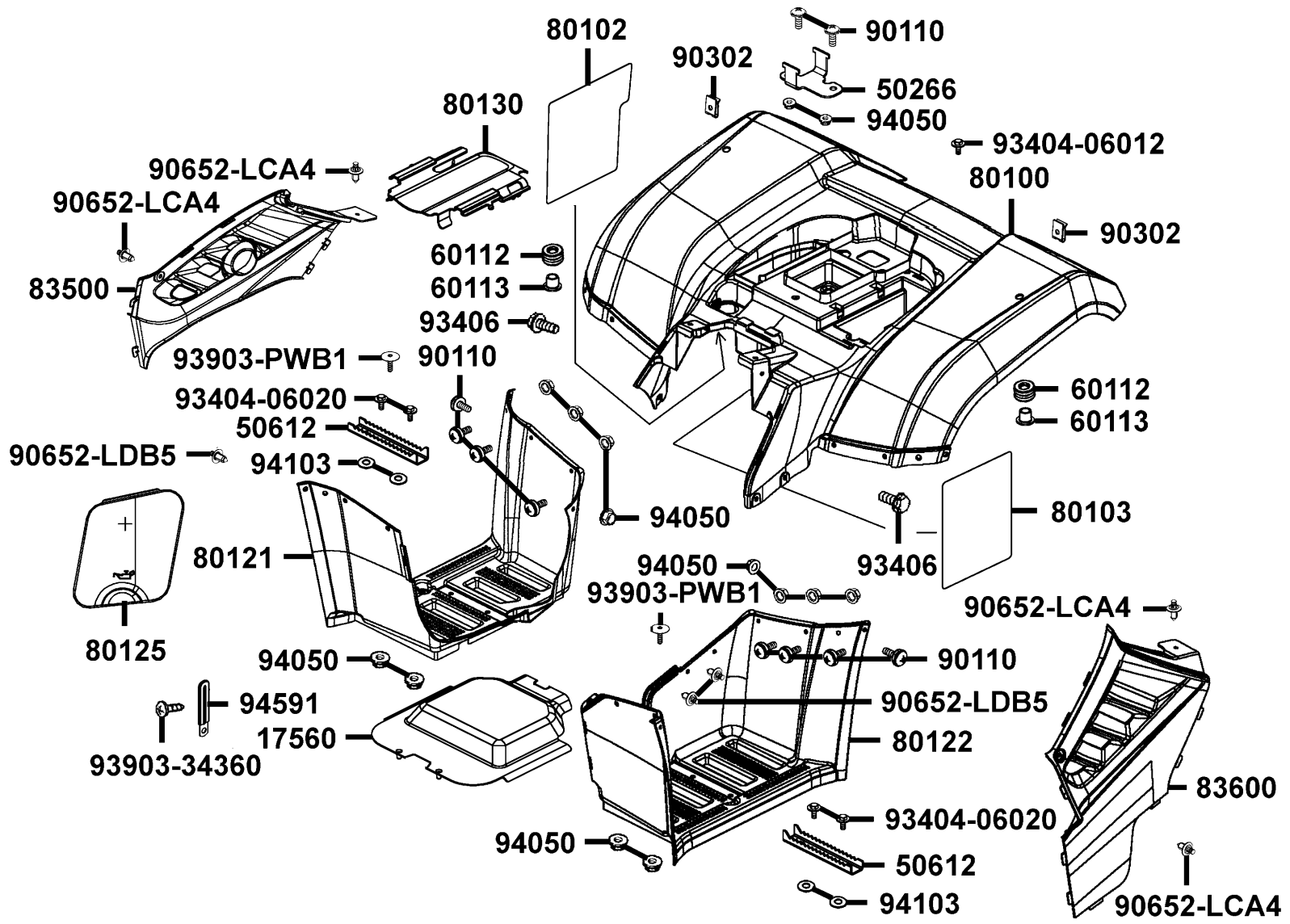


Sales mark	Ref no	Part no	Description	Reg description	Regd no	F11
	31500	31500-LFA5-E00	BATTERY YB14-A2	BATTERY YB14-A2	1	
**	50326	50326-LFA5-E00	COVER BATTERY	COVER BATTERY	1	
	93903	93903-GFY6-900	SCREW TAPPING 4*14	SCREW TAPPING 4*14	2	

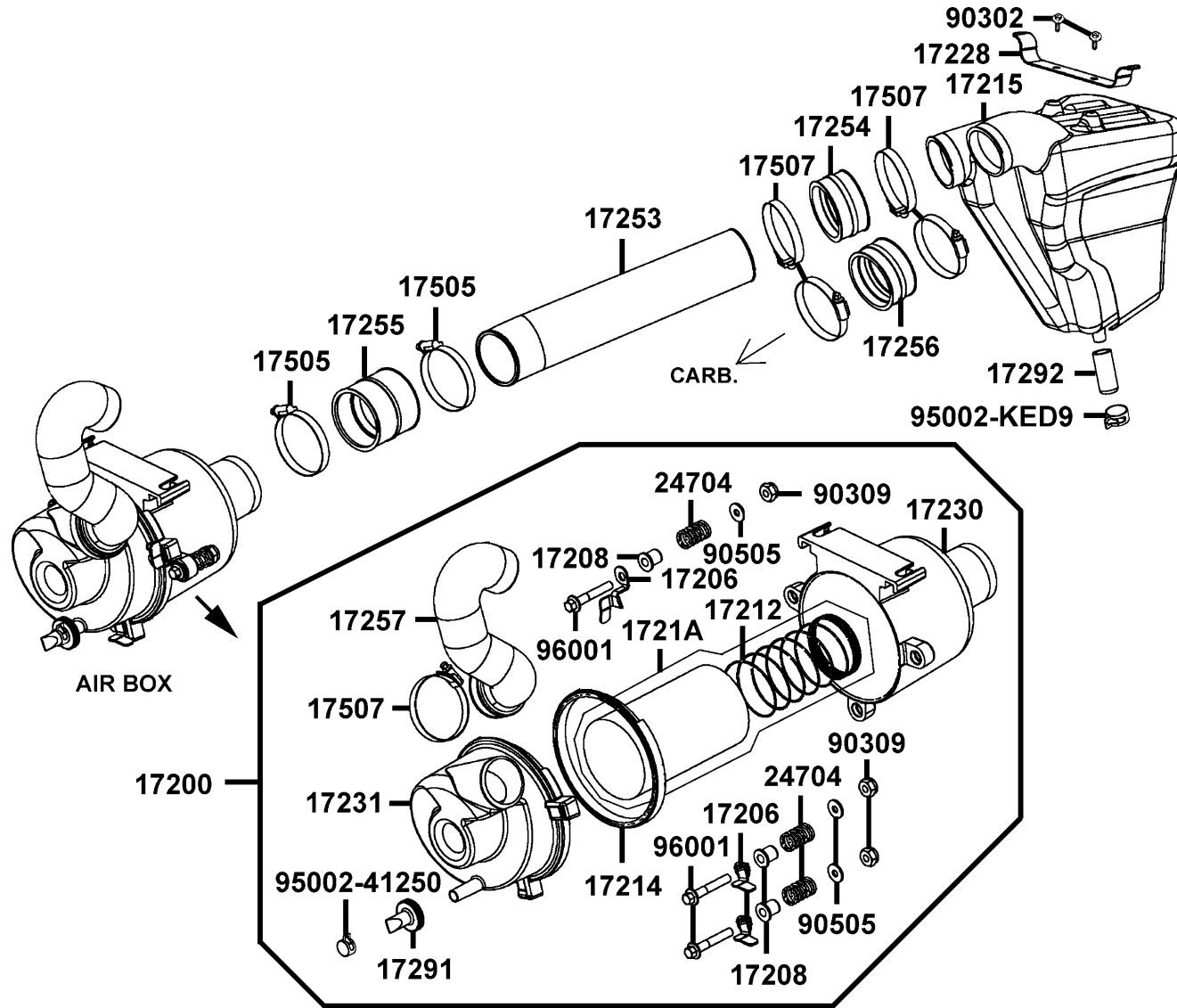


Sales mark	Ref no	Part no	Description	Reg description	Regd no	F12
**	17560	17560-LGC7-E00	SHIELD HEAT	SHIELD HEAT	1	
	50266	50266-PWB1-900	BRACKET MOUNTING SOLENOID	BRACKET MOUNTING SOLENOID	1	
	50612	50612-PWB1-900	FOOTPEG	FOOTPEG	2	
	60112	60112-PWB1-900	GROMMET	GROMMET	2	
	60113	60113-PWB1-900	SPACER STELL	SPACER STELL	2	
**	80100	80100-LFA5-E00	FENDER REAR	FENDER REAR	1	
	80102	80102-LFA5-E00	SHIELD RH	SHIELD RH	1	
	80103	80103-LFA5-E00	SHIELD LH	SHIELD LH	1	
**	80121	80121-LFA5-E01	MUDGUARD R FLOOR	MUDGUARD R FLOOR	1	
**	80122	80122-LFA5-E01	MUDGUARD L FLOOR	MUDGUARD L FLOOR	1	
**	80125	80125-LFA5-E01	COVER OIL LEVER GAUGE	COVER OIL LEVER GAUGE	1	
**	80130	80130-PWB1-E00	SHIELD REAR GEARCASE	SHIELD REAR GEARCASE	1	
**	83500	83500-LFA5-E01	COVER R SIDE	COVER R SIDE	1	
**	83600	83600-LFA5-E01	COVER L SIDE	COVER L SIDE	1	
	90110	90110-PWB1-900	SCREW SPECIAL 6X20	SCREW SPECIAL 6X20	10	
	90302	90302-SDA4-004	NUT SPRING 4MM	NUT SPRING 4MM	2	
	90652-LCA4	90652-LCA4-E00	CLIP MUDGUARD	CLIP MUDGUARD	4	
	90652-LDB5	90652-LDB5-900	CLIP MUDGUARD	CLIP MUDGUARD	3	
	93404-06012	93404-06012-06	BOLT WASH 6*12	BOLT WASH 6*12	1	
	93404-06020	93404-06020-06	BOLT WASH 6*20	BOLT WASH 6*20	4	

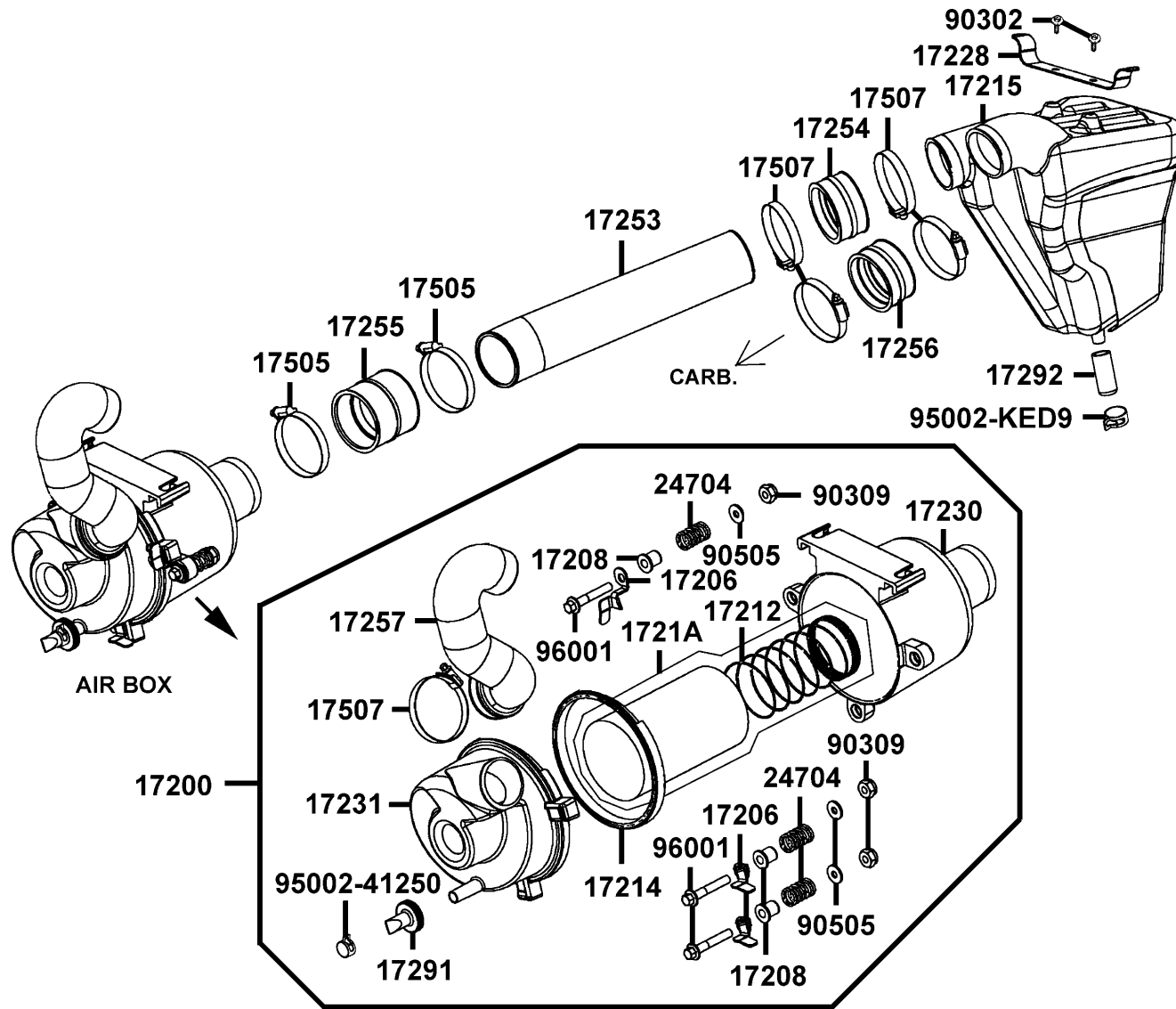
Fender Rear Mudguard Floor



Sales mark	Ref no	Part no	Description	Reg description	Regd no	F12
	93406	93406-08016-06	BOLT WASHER 8*16 (G)	BOLT WASHER 8*16 (G)	2	
	93903-34360	93903-34360	SCREW TAPPING 4*12	SCREW TAPPING 4*12	1	
	93903-PWB1	93903-PWB1-900	SCREW BODY-SELF TAP #12x3/4 A	SCREW BODY-SELF TAP #12x3/4 A	2	
	94050	94050-LDE9-E00	NUT LOCK	NUT LOCK	14	
	94103	94103-06800	WASH PLAIN 6MM	WASH PLAIN 6MM	4	
	94591	94591-27000	CLIP 2*70	CLIP 2*70	1	



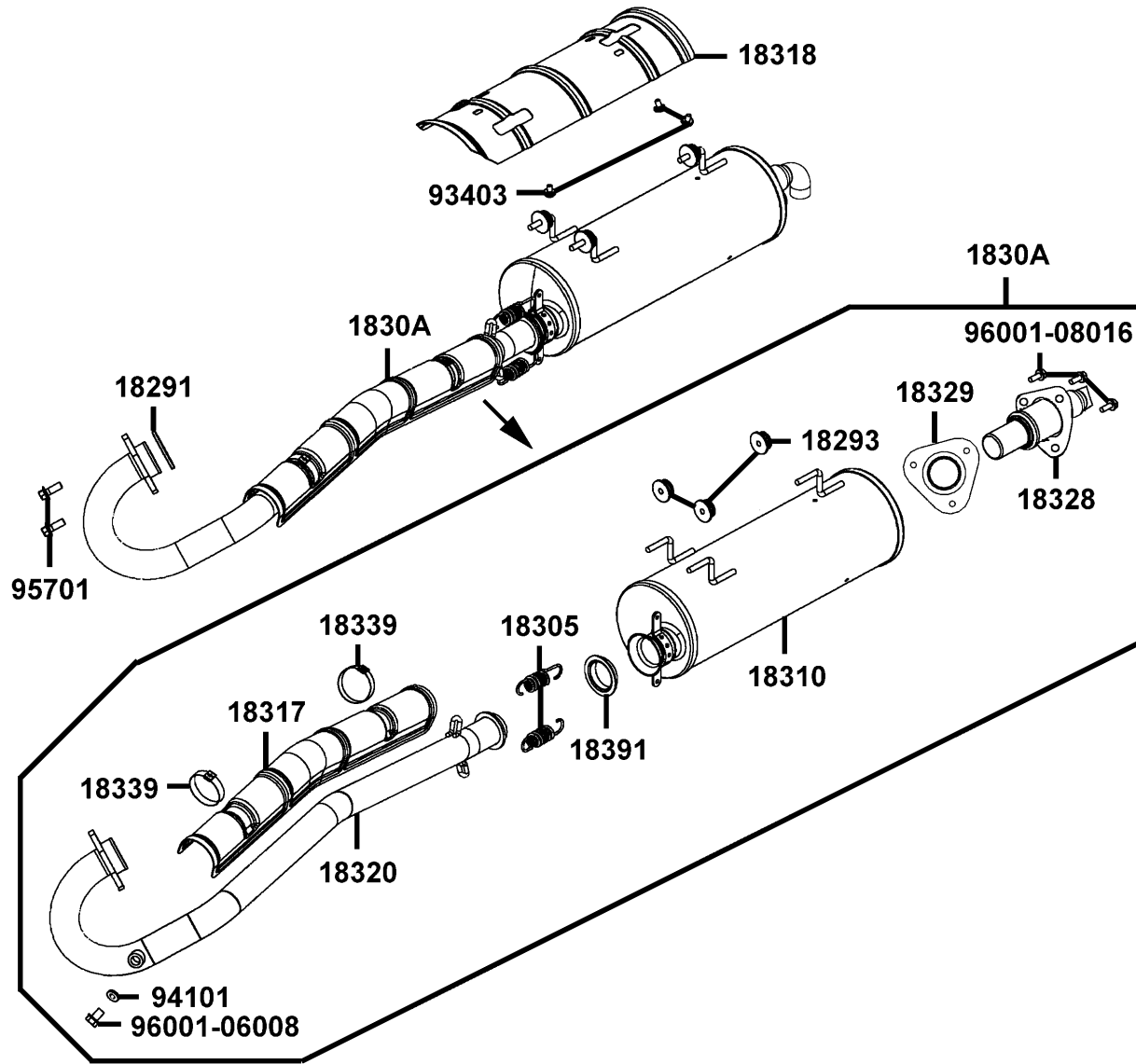
Sales mark	Ref no	Part no	Description	Reg description	Regd no	F13
17200		17200-LFA5-E00	AIR BOX ASSEMBLY	AIR BOX ASSEMBLY	1	
17206		17206-PWB1-900	LATCH AIR BOX	LATCH AIR BOX	3	
17208		17208-PWB1-900	SPACER STEEL	SPACER STEEL	3	
17212		17212-PWB1-900	FILTER SPRING	FILTER SPRING	1	
17214		17214-PWB1-900	GASKET AIR BOX	GASKET AIR BOX	1	
17215		17215-PWB1-900	CHAMBER AIR INTAKE	CHAMBER AIR INTAKE	1	
1721A		1721A-PWB1-900	FILTER AIR-UNI	FILTER AIR-UNI	1	
17228		17228-PWB1-900	BRACKET MOUNT-AIR CHAMBER	BRACKET MOUNT-AIR CHAMBER	1	
17230		17230-PWB1-900	BODY AIR BOX-CYCLONIC	BODY AIR BOX-CYCLONIC	1	
17231		17231-PWB1-900	COVER AIR BOX-CYCLONIC	COVER AIR BOX-CYCLONIC	1	
17253		17253-PWB1-900	BOOT INTAKE-CARB	BOOT INTAKE-CARB	1	
17254		17254-PWB1-900	BOOT AIR IN-CARB-LRG	BOOT AIR IN-CARB-LRG	1	
17255		17255-PWB1-900	BOOT AIR IN CARB SML	BOOT AIR IN CARB SML	1	
17256		17256-PWB1-900	BOOT CARB-CHAMBER	BOOT CARB-CHAMBER	1	
17257		17257-PWB1-900	BOOT INTAKE-AIR BOX	BOOT INTAKE-AIR BOX	1	
17291		17291-PWB1-900	VALVE AIR CLEANER	VALVE AIR CLEANER	1	
17292		17292-PWB1-900	PIPE DRAIN	PIPE DRAIN	1	
17505		17505-PWB1-900	CLAMP D70	CLAMP D70	2	
17507		17507-PWB1-900	CLAMP D66	CLAMP D66	5	
24704		24704-PWB1-900	SPRING SHIFT	SPRING SHIFT	3	



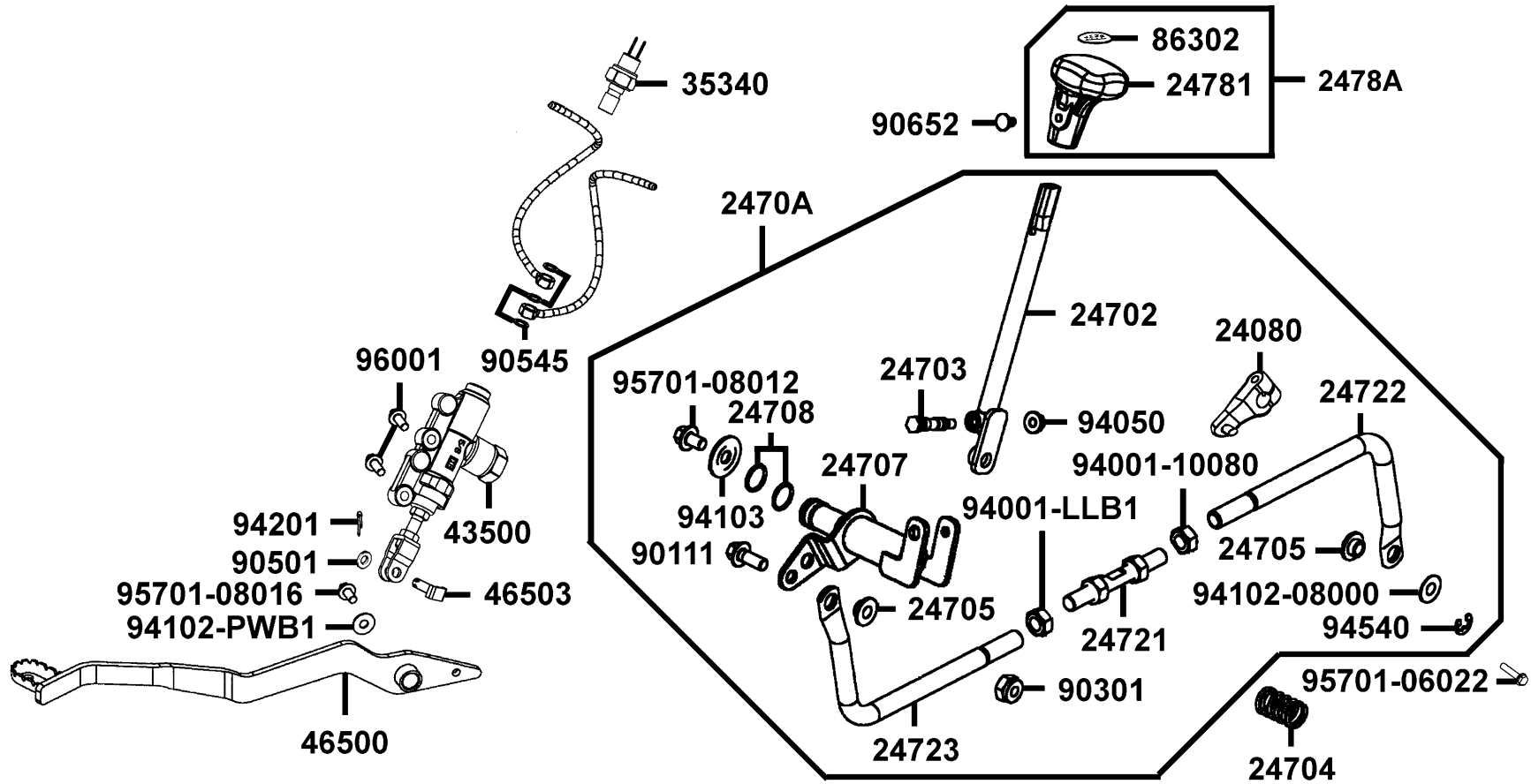
Sales mark	Ref no	Part no	Description	Reg description	Regd no	F13
	90302	90302-LLB1-E00	BOLT-WASHER 5*12	BOLT-WASHER 5*12	2	
	90309	90309-GLW0-90A	NUT U FLANGE 8MM	NUT U FLANGE 8MM	3	
	90505	90505-4E25-001	WASHER 8MM	WASHER 8MM	3	
	95002-41250	95002-41250-00	CLIP D12.5 TUBE	CLIP D12.5 TUBE	1	
	95002-KED9	95002-KED9-M30	CLAMP D14.8 TUBE	CLAMP D14.8 TUBE	1	
	96001	96001-08050-08	BOLT FLANGE SH 8*50 (C)	BOLT FLANGE SH 8*50 (C)	3	

F14

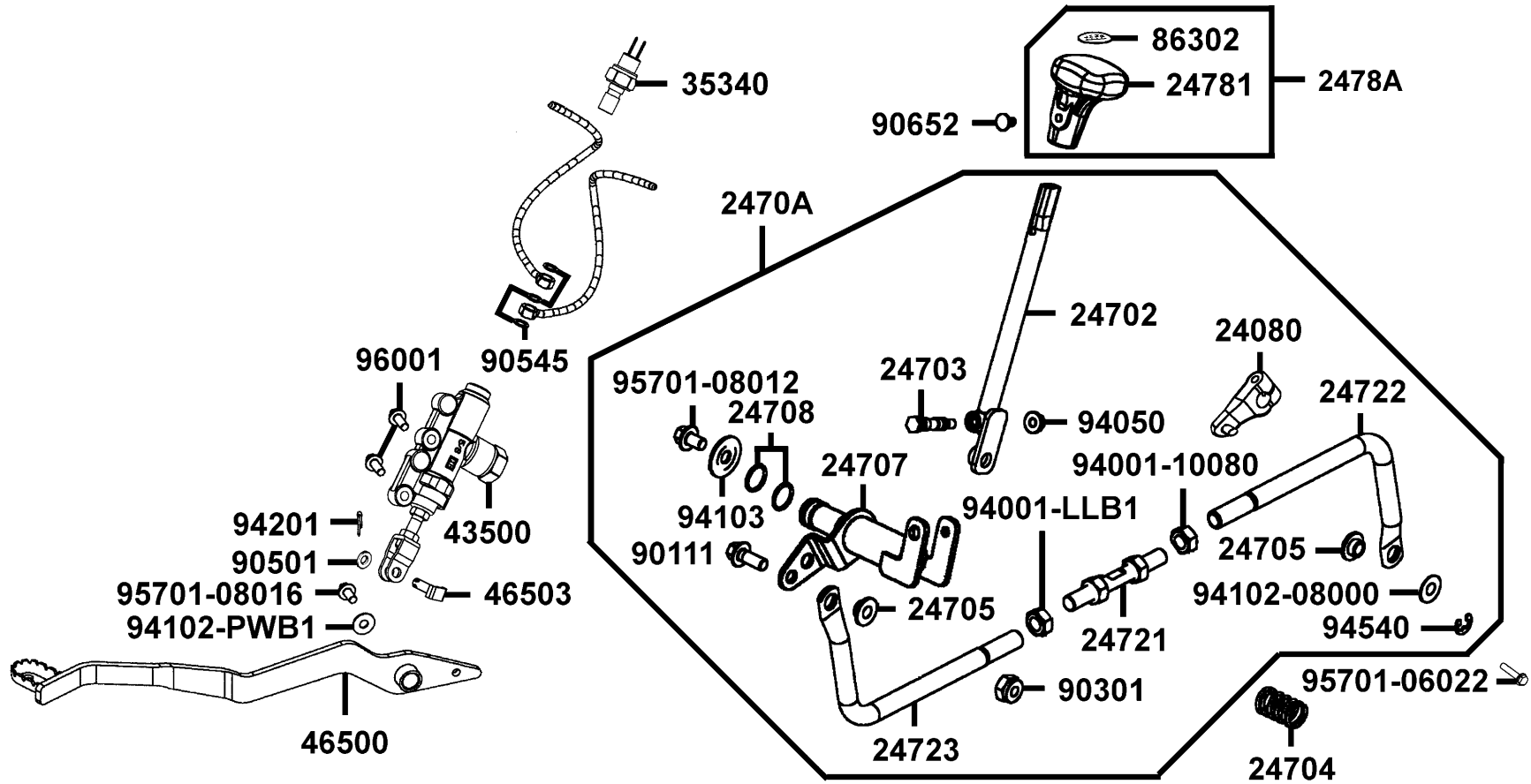
Exhaust Muffler



Sales mark	Ref no	Part no	Description	Reg description	Regd no	F14
	18291	18291-PWB1-900	SEAL EXHAUST PIPE	SEAL EXHAUST PIPE	1	
	18293	18293-PWB1-900	GROMMENT MUFFLER	GROMMENT MUFFLER	3	
	18305	18305-PWB1-900	SPRING EXTENSION	SPRING EXTENSION	2	
	1830A	1830A-LFA5-E00	EXHAUST ASSY	EXHAUST ASSY	1	
	18310	18310-LFA5-E01	MUFFLER BODY WELDMENT	MUFFLER BODY WELDMENT	1	
	18317	18317-PWB1-900	SHIELD EXHAUST PIPE	SHIELD EXHAUST PIPE	1	
	18318	18318-PWB1-900	COVER MUFFLER	COVER MUFFLER	1	
	18320	18320-PWB1-E00	PIPE EXHAUST -BLACK	PIPE EXHAUST -BLACK	1	
	18328	18328-LFA5-910	SPARK ARRESTER WELDMENT	SPARK ARRESTER WELDMENT	1	
	18329	18329-PWB1-700	GASKET,SPARK ARRESTER	GASKET,SPARK ARRESTER	1	
	18339	18339-PWB1-900	BAND EXHAUST PIPE SHIELD	BAND EXHAUST PIPE SHIELD	2	
	18391	18391-PWB1-900	GASKET EXH-TAILPIPE	GASKET EXH-TAILPIPE	1	
	93403	93403-PWB1-900	BOLT-WASHER 6X12	BOLT-WASHER 6X12	3	
	94101	94101-06700	WASHER PLAIN 6MM	WASHER PLAIN 6MM	1	
	95701	95701-08020-06	BOLT FLANGE 8*20	BOLT FLANGE 8*20	2	
	96001-06008	96001-06008-07	BOLT FLANGE SH 6*8	BOLT FLANGE SH 6*8	1	
	96001-08016	96001-08016-08	BOLT FLANGE SH 8*16 (C)	BOLT FLANGE SH 8*16 (C)	3	

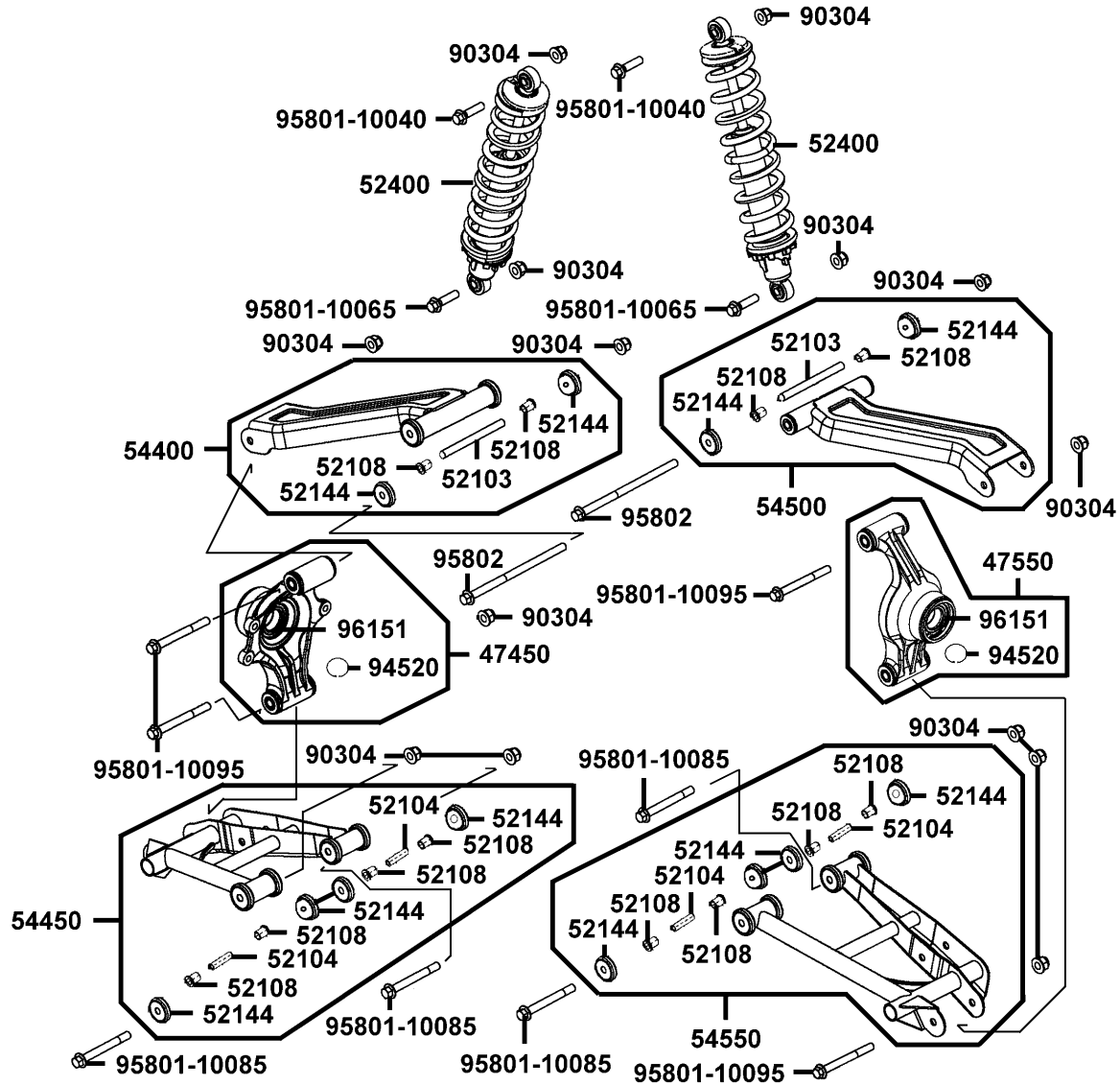


Sales mark	Ref no	Part no	Description	Reg description	Regd no	F15
	24080	24080-PWB1-900	ARM GEAR SELECT ASSY	ARM GEAR SELECT ASSY	1	
	24702	24702-LFA5-E00	LEVER SHIFT WELDMENT	LEVER SHIFT WELDMENT	1	
	24703	24703-PWB1-900	AXLE PIVOT	AXLE PIVOT	1	
	24704	24704-PWB1-900	SPRING SHIFT	SPRING SHIFT	1	
	24705	24705-PWB1-900	BUSHING SHIFT	BUSHING SHIFT	2	
	24707	24707-LFA5-E00	AXLE WELDMENT	AXLE WELDMENT	1	
	24708	24708-PWB1-900	O RING 016	O RING 016	2	
	2470A	2470A-LFA5-E00	FWD / REV SHIFT ASSY	FWD / REV SHIFT ASSY	1	
	24721	24721-PWB1-900	ADJUSTER SHIFT LINKAGE	ADJUSTER SHIFT LINKAGE	1	
	24722	24722-PWB1-900	ROD SHIFTER ADJUSTABLE RH	ROD SHIFTER ADJUSTABLE RH	1	
	24723	24723-PWB1-900	ROD SHIFTER ADJUSTABLE LH	ROD SHIFTER ADJUSTABLE LH	1	
	24781	24781-LFA5-E00	KNOB SHIFTER	KNOB SHIFTER	1	
	2478A	2478A-LFA5-E00	SHIFTER KNOB ASSY	SHIFTER KNOB ASSY	1	
	35340	35340-PWB1-E00	SWITCH BRAKE PRESSURE-DOUBLE	SWITCH BRAKE PRESSURE-DOUBLE BANJO	1	
	43500	43500-LFA5-E00	CYLINDER MASTER 350 EURO	CYLINDER MASTER 350 EURO	1	
**	46500	46500-PWB1-900	LEVER COMP BRAKE	LEVER COMP BRAKE	1	
	46503	46503-LFA5-E00	PIN CLEVIS	PIN CLEVIS	1	
**	86302	86302-LFA5-E00	EMB GEAR REVERAL CHANGE	EMB GEAR REVERAL CHANGE	1	
	90111	90111-PWB1-900	BOLT FLANGE 6MM	BOLT FLANGE 6MM	1	
	90301	90301-6D34-671	NUT FLANGE 6MM	NUT FLANGE 6MM	1	



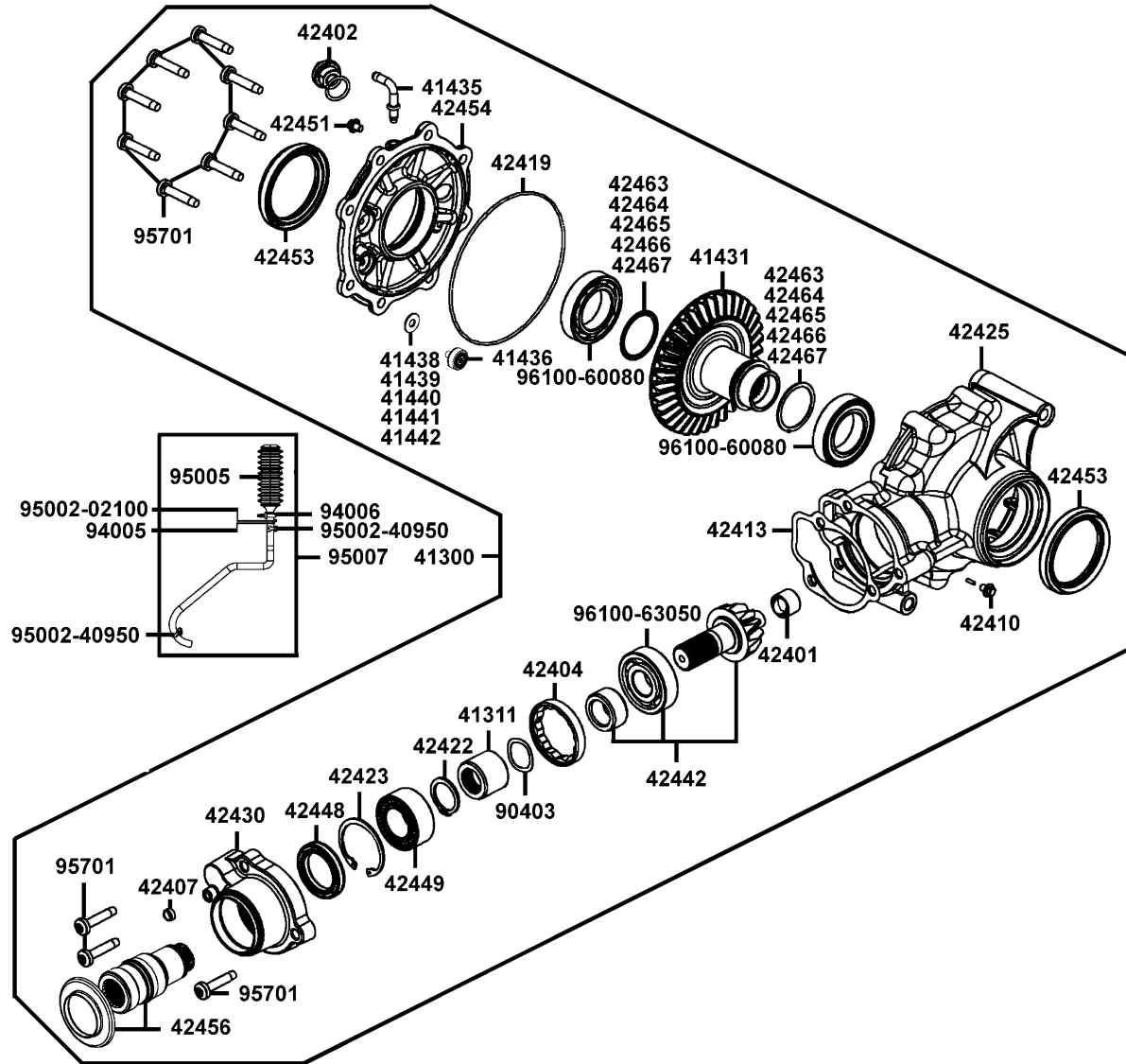
Sales mark	Ref no	Part no	Description	Reg description	Regd no	F15
	90501	90501-3L10-001	WASHER 7*12	WASHER 7*12	1	
	90545	90545-3L00-001	WASHER OIL BOLT	WASHER OIL BOLT	3	
	90652	90652-PWB1-900	X'MAS TREE CLIP	X'MAS TREE CLIP	1	
	94001-10080	94001-10080-0S	NUT CASTLE 10MM	NUT CASTLE 10MM	1	
	94001-LLB1	94001-LLB1-900	NUT HEX 6 MM	NUT HEX 6 MM	1	
	94050	94050-06060	NUT FLANGE 6MM	NUT FLANGE 6MM	1	
	94102-08000	94102-08000	WASHER PLAIN 8MM	WASHER PLAIN 8MM	1	
	94102-PWB1	94102-PWB1-900	WASHER FLAT	WASHER FLAT	1	
	94103	94103-08800	WASHER PLAIN 8MM	WASHER PLAIN 8MM	1	
	94201	94201-20120	PIN SPLIT 2*12	PIN SPLIT 2*12	1	
	94540	94540-06012	E RING	E RING	1	
	95701-06022	95701-06022-06	BOLT FLANGE 6*22	BOLT FLANGE 6*22	1	
	95701-08012	95701-08012-06	BOLT FLANGE 8*12	BOLT FLANGE 8*12	1	
	95701-08016	95701-08016-08	BOLT FLANGE 8*16	BOLT FLANGE 8*16	1	
	96001	96001-06020-08	BOLT FLANGE SH 6*20	BOLT FLANGE SH 6*20	2	

Control Arm Assy



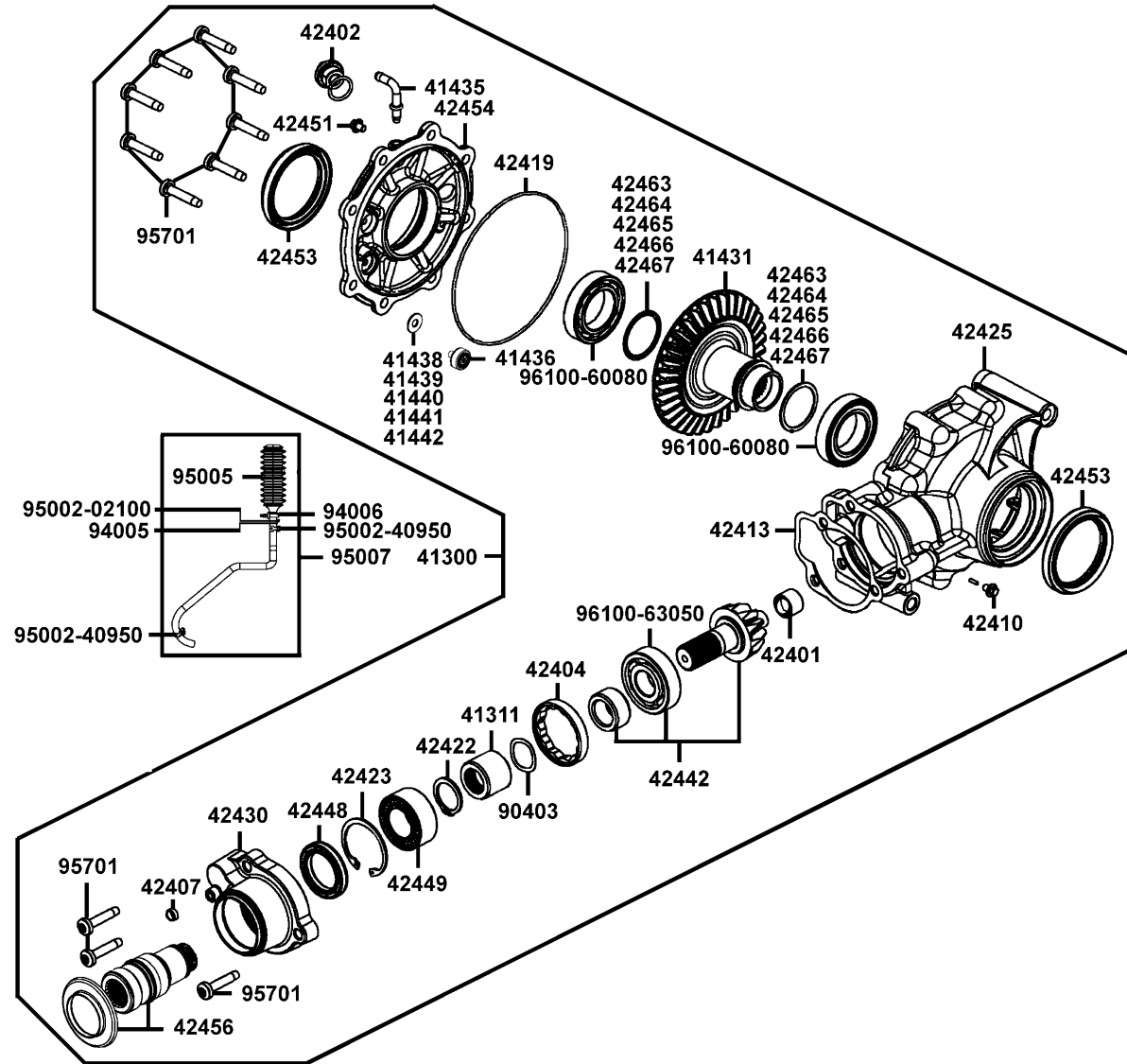
Sales mark	Ref no	Part no	Description	Reg description	Regd no	F16
	47450	47450-PWB1-900	KNUCKLE REAR ASSEMBLY RH	KNUCKLE REAR ASSEMBLY RH	1	
	47550	47550-PWB1-900	KNUCKLE REAR ASSEMBLY LH	KNUCKLE REAR ASSEMBLY LH	1	
	52103	52103-PWB1-900	SLEEVE SUSPENSION	SLEEVE SUSPENSION	2	
	52104	52104-PWB1-900	SLEEVE SUSPENSION	SLEEVE SUSPENSION	4	
	52108	52108-PWB1-900	BUSHING SUSPENSION	BUSHING SUSPENSION	12	
	52144	52144-PWB1-900	SEAL SUSPENSION	SEAL SUSPENSION	12	
**	52400	52400-PWB1-900	CUSHION ASSY RR	CUSHION ASSY RR	2	
**	54400	54400-PWB1-E00	CONTROL ARM RH/LH UPPER ASSY	CONTROL ARM RH/LH UPPER ASSY	1	
**	54450	54450-LFA5-E00	A-ARM RH LOWER ASSEM	A-ARM RH LOWER ASSEM	1	
**	54500	54500-PWB1-E00	CONTROL ARM RH/LH UPPER ASSY	CONTROL ARM RH/LH UPPER ASSY	1	
**	54550	54550-LFA5-E00	A-ARM LH LOWER ASSEM	A-ARM LH LOWER ASSEM	1	
	90304	90304-GLW0-90A	NUT U FLANGE 10MM	NUT U FLANGE 10MM	14	
	94520	94520-55000	CIR CLIP IN 55	CIR CLIP IN 55	2	
	95801-10040	95801-10040-08	BOLT FLANGE 10*40	BOLT FLANGE 10*40	2	
	95801-10065	95801-10065-08	BOLT FLANGE 10X65(C)	BOLT FLANGE 10X65(C)	2	
	95801-10085	95801-10085-06	BOLT FLANGE 10*85	BOLT FLANGE 10*85	4	
	95801-10095	95801-10095-06	BOLT FLANGE 10*95	BOLT FLANGE 10*95	4	
	95802	95802-PWB1-900	SCREW CAP-HFH M10x1.25	SCREW CAP-HFH M10x1.25	2	
	96151	96151-PWB1-900	BEARING WHEEL	BEARING WHEEL	2	

Control Arm Assy



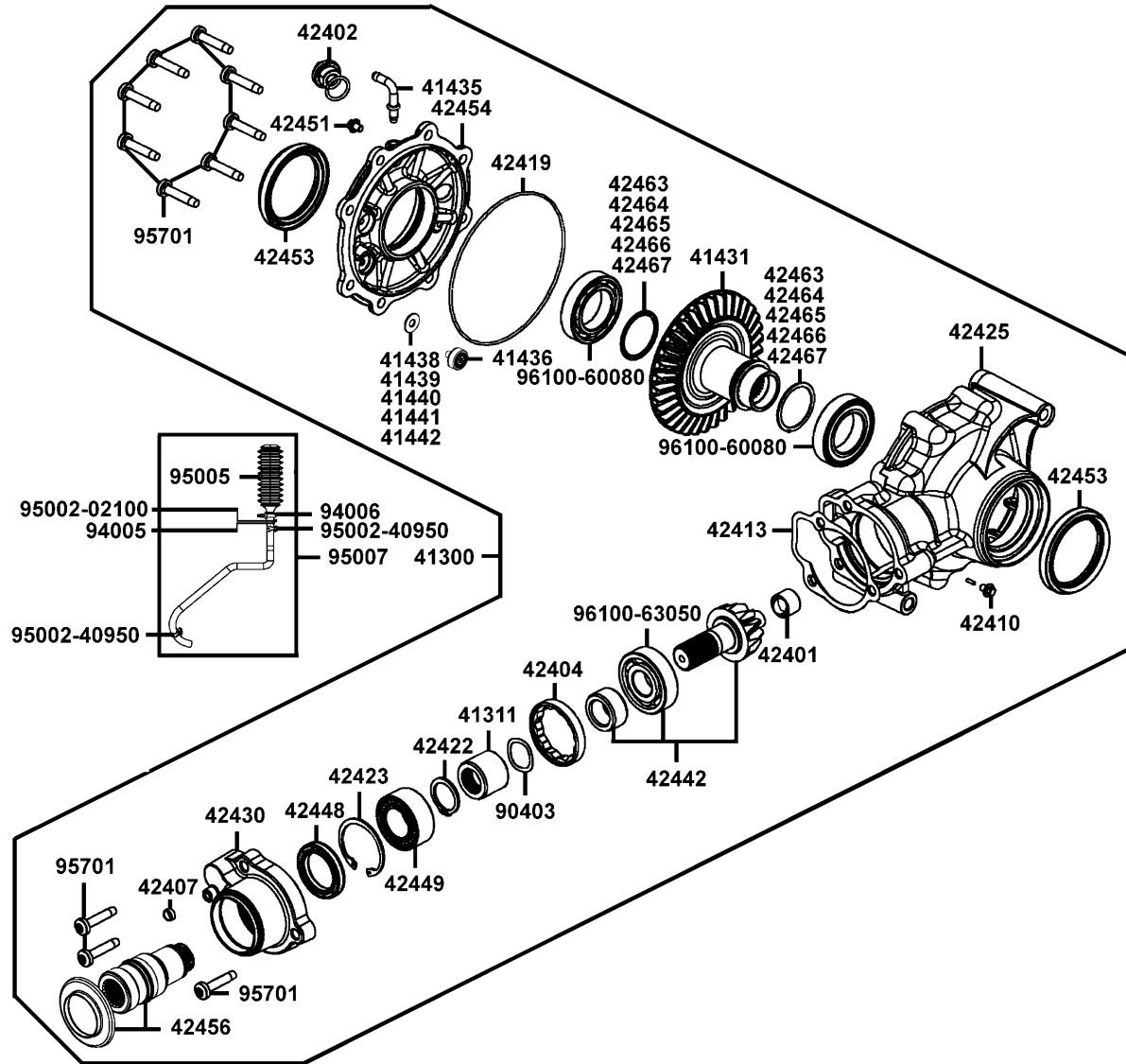
Sales mark	Ref no	Part no	Description	Reg description	Regd no	F17
41300		41300-PWB1-900	GEARCASE REAR(3.1)-ASSEMBLY	GEARCASE REAR(3.1)-ASSEMBLY	1	
41311		41311-PWB1-900	COLLAR SHAFT-SPLINED	COLLAR SHAFT-SPLINED	1	
41431		41431-PWB1-900	GEAR REAR(36 TOOTH)	GEAR REAR(36 TOOTH)	1	
41435		41435-PWB1-900	BARB 90	BARB 90	1	
41436		41436-PWB1-900	BUTTON THRUST	BUTTON THRUST	1	
41438		41438-PWB1-900	SHIM 6.3*18*1.3	SHIM 6.3*18*1.3	1	
41439		41439-PWB1-900	SHIM 6.3*18*1.4	SHIM 6.3*18*1.4	1	
41440		41440-PWB1-900	SHIM 6.3*18*1.5	SHIM 6.3*18*1.5	1	
41441		41441-PWB1-900	SHIM 6.3*18*1.6	SHIM 6.3*18*1.6	1	
41442		41442-PWB1-900	SHIM 6.3*18*1.7	SHIM 6.3*18*1.7	1	
42401		42401-PWB1-900	BEARING NEEDLE(16NQ2316)	BEARING NEEDLE(16NQ2316)	1	
42402		42402-PWB1-900	PLUG FULL	PLUG FULL	1	
42404		42404-PWB1-910	COLLAR LOCK-M64X1.5LH	COLLAR LOCK-M64X1.5LH	1	
42407		42407-PWB1-900	PIN DOWEL	PIN DOWEL	1	
42410		42410-PWB1-900	PLUG DRAIN-MAG	PLUG DRAIN-MAG	1	
42413		42413-PWB1-900	GASKET FLANGE	GASKET FLANGE	1	
42419		42419-PWB1-900	O-RING 150X2MM	O-RING 150X2MM	1	
42422		42422-PWB1-900	RING RETAINING ONE	RING RETAINING ONE	1	
42423		42423-PWB1-900	RING RETAINING	RING RETAINING	1	
42425		42425-PWB1-910	HOUSING GEARCASE-REAR MACH	HOUSING GEARCASE-REAR MACH	1	

Control Arm Assy

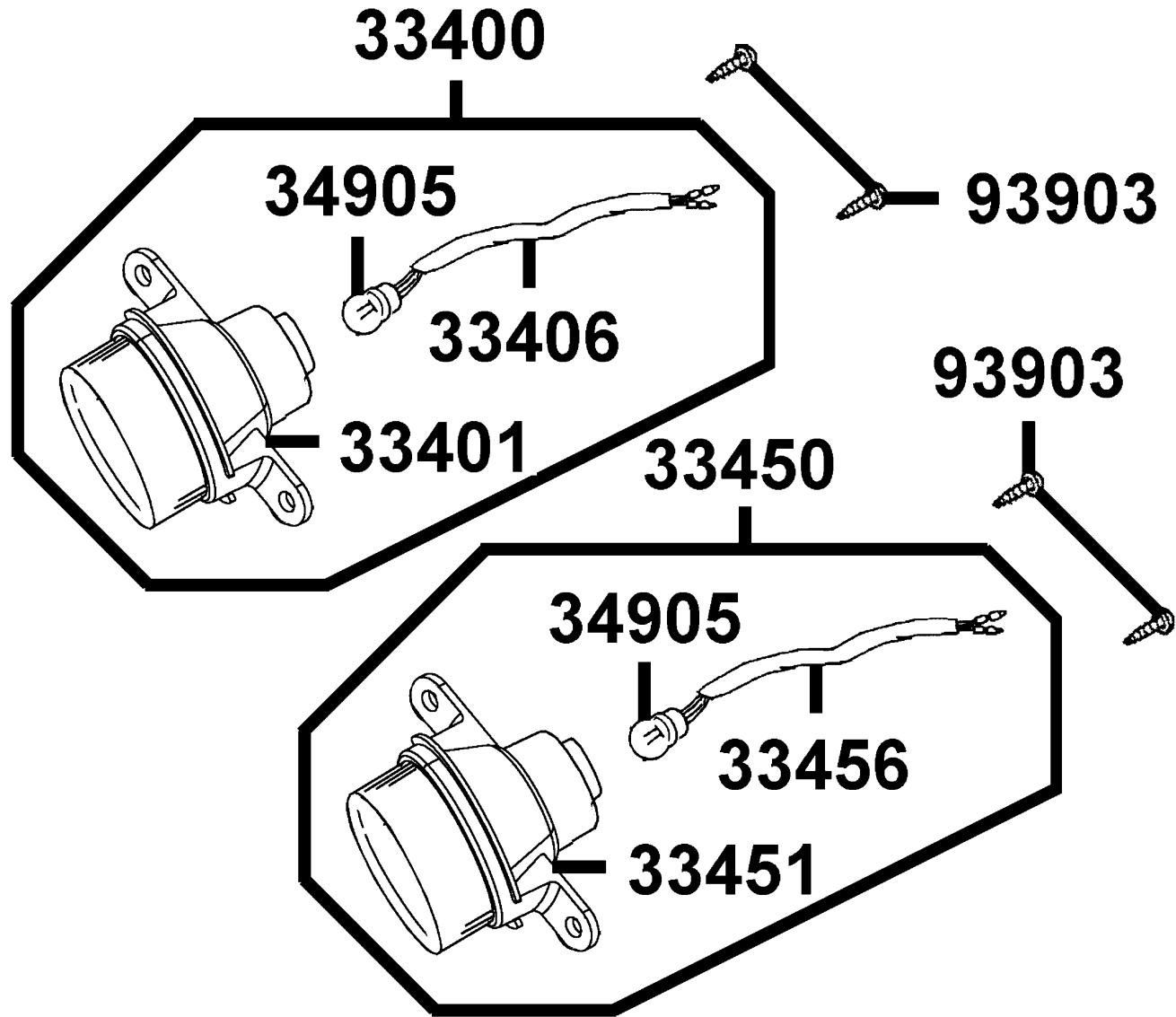


Sales mark	Ref no	Part no	Description	Reg description	Regd no	F17
	42430	42430-PWB1-910	HOUSING PINION-MACH	HOUSING PINION-MACH	1	
	42442	42442-PWB1-900	PINION(10 TOOTH)-ASSEMBLY	PINION(10 TOOTH)-ASSEMBLY	1	
	42448	42448-PWB1-900	SEAL	SEAL	1	
	42449	42449-PWB1-900	BEARING BALL-DOUBLE ROW	BEARING BALL-DOUBLE ROW	1	
	42451	42451-PWB1-900	PLUG OIL LEVEL	PLUG OIL LEVEL	1	
	42453	42453-PWB1-900	SEAL 67X84X9	SEAL 67X84X9	2	
	42454	42454-PWB1-910	COVER GEARCASE-REAR MACH	COVER GEARCASE-REAR MACH	1	
	42456	42456-PWB1-900	SHAFT INPUT-ASSEMBLY	SHAFT INPUT-ASSEMBLY	1	
	42463	42463-PWB1-900	SHIM 41*49*1.3	SHIM 41*49*1.3	2	
	42464	42464-PWB1-900	SHIM 41*49*1.4	SHIM 41*49*1.4	2	
	42465	42465-PWB1-900	SHIM 41*49*1.5	SHIM 41*49*1.5	2	
	42466	42466-PWB1-900	SHIM 41*49*1.6	SHIM 41*49*1.6	2	
	42467	42467-PWB1-900	SHIM 41*49*1.7	SHIM 41*49*1.7	2	
	90403	90403-PWB1-900	WASHER WAVE SPRING	WASHER WAVE SPRING	1	
	94005	94005-PWB1-900	HOSE BARB INTAKE MANIFOLD	HOSE BARB INTAKE MANIFOLD	1	
	94006	94006-PWB1-900	ROUTING CLIP SNAP-IN	ROUTING CLIP SNAP-IN	1	
	95002-02100	95002-02100	CLIP B15 TUBE	CLIP B15 TUBE	1	
	95002-40950	95002-40950-08	CLAMP D9.5 TUBE	CLAMP D9.5 TUBE	2	
	95005	95005-PWB1-900	BREATH TUBE RR GEAR ASSY	BREATH TUBE RR GEAR ASSY	1	
	95007	95007-LFA5-900	HOSE VENT-GEARCASE	HOSE VENT-GEARCASE	1	

Control Arm Assy



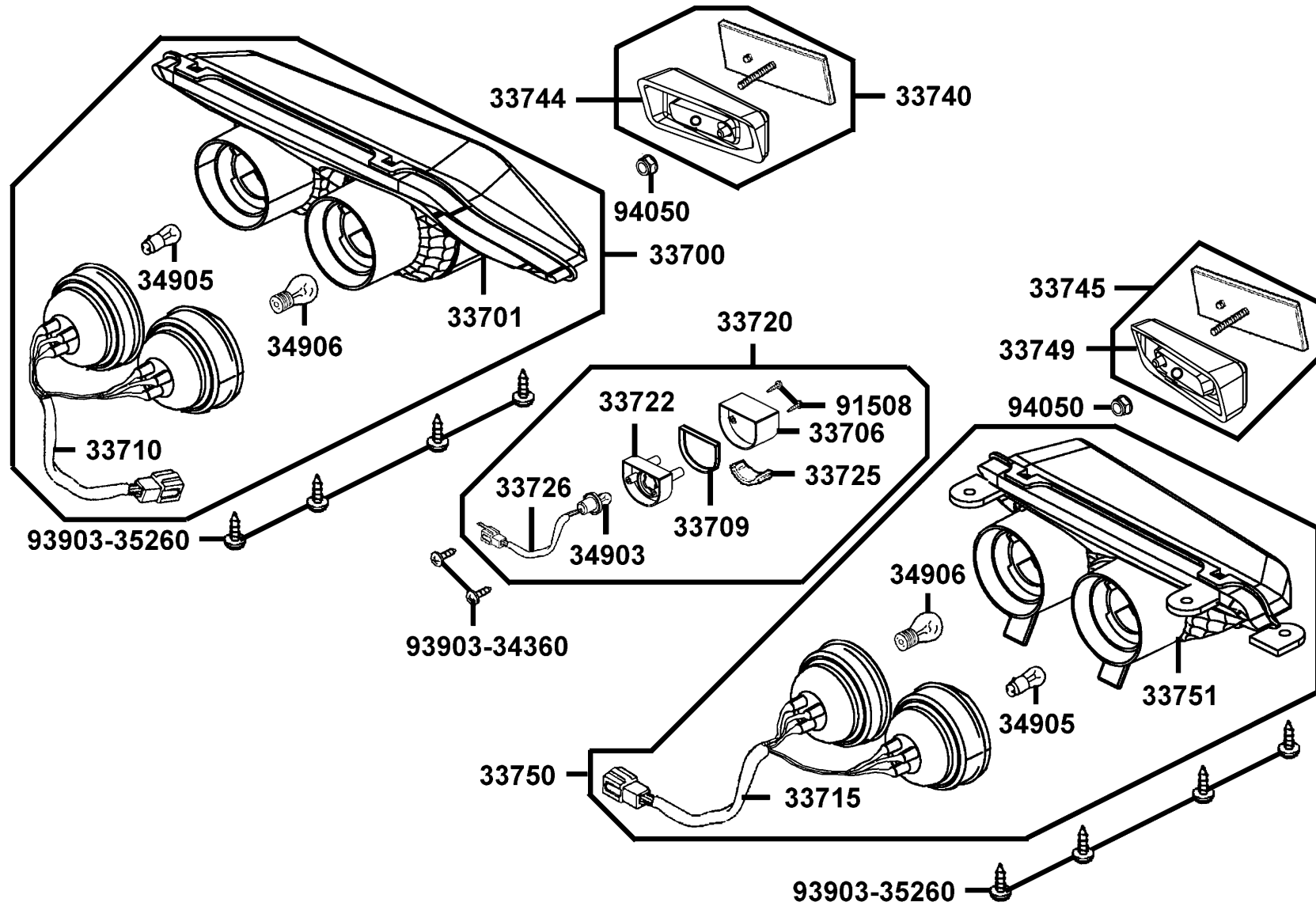
Sales mark	Ref no	Part no	Description	Reg description	Regd no	F17
	95701	95701-08040-08	BOLT FLANGE 8*40	BOLT FLANGE 8*40	11	
	96100-60080	96100-60080-00	BRG RADIAL BALL 6008	BRG RADIAL BALL 6008	2	
	96100-63050	96100-63050-00	BRG BALL RADIAL 6305	BRG BALL RADIAL 6305	1	



Sales mark	Ref no	Part no	Description	Reg description	Regd no	F18
	33400	33400-LFA5-E00	WINKER ASSY R FR	WINKER ASSY R FR	1	
	33401	33401-LFA5-E00	UNIT WINKER R FR	UNIT WINKER R FR	1	
	33406	33406-LFA5-E00	SOCKET COMP R FR	SOCKET COMP R FR	1	
	33450	33450-LFA5-E00	WINKER ASS'Y L FR	WINKER ASS'Y L FR	1	
	33451	33451-LFA5-E00	UNIT WINKER L FR	UNIT WINKER L FR	1	
	33456	33456-LFA5-E00	SOCKET COMP L FR	SOCKET COMP L FR	1	
	34905	34905-LBA7-E00	BULB WINKER 12V10W	BULB WINKER 12V10W	2	
	93903	93903-35260	SCREW TAPPING 5*12	SCREW TAPPING 5*12	4	

F19

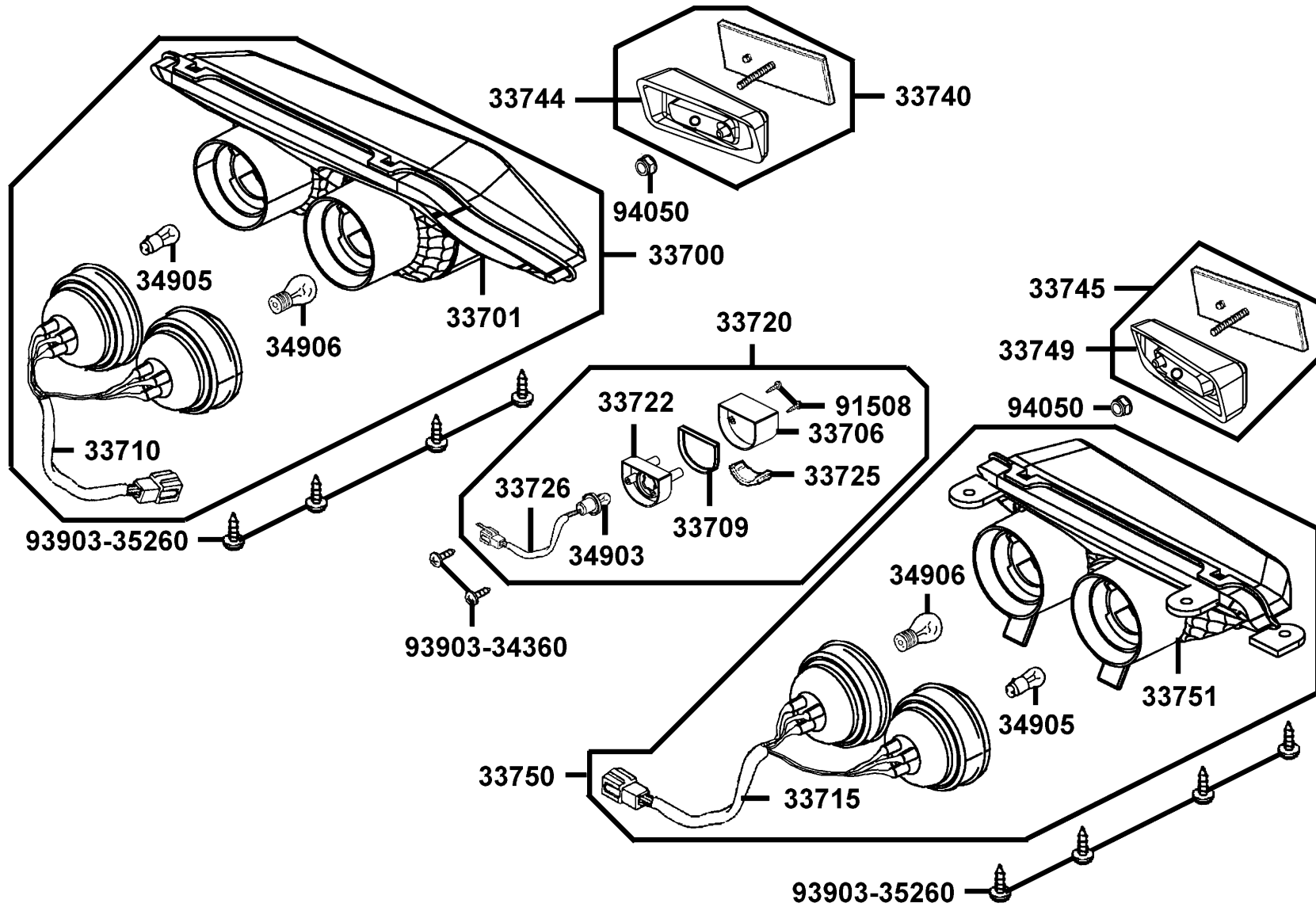
Light Tail



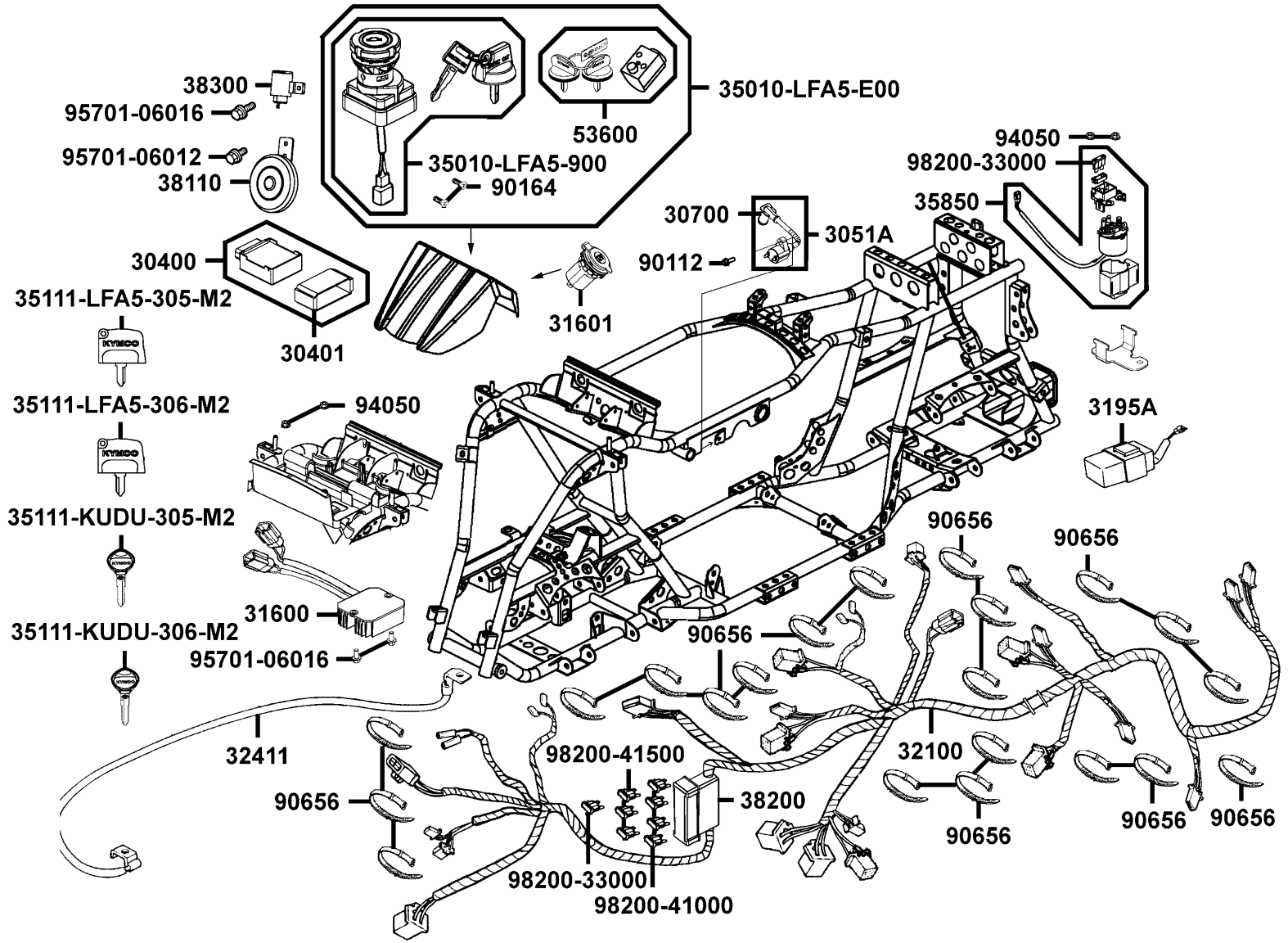
Sales mark	Ref no	Part no	Description	Reg description	Regd no	F19
33700		33700-LFA5-E00	LIGHT ASSY R RR COMB	LIGHT ASSY R RR COMB	1	
33701		33701-LFA5-E00	UNIT TAIL LIGHT R	UNIT TAIL LIGHT R	1	
33706		33706-GCN3-67A	COVER LICENSE	COVER LICENSE	1	
33709		33709-KBAB-003	PACKING LICENSE	PACKING LICENSE	1	
33710		33710-LFA5-E00	SOCKEY COMP R RR COMB	SOCKEY COMP R RR COMB	1	
33715		33715-LFA5-E00	SOCKEY COMP L RR COMB	SOCKEY COMP L RR COMB	1	
33720		33720-LCA5-E00	LIGHT ASSY LICENSE	LIGHT ASSY LICENSE	1	
33722		33722-KHB4-E00	BASE LICENSE	BASE LICENSE	1	
33725		33725-KHB4-E00	LENS LICENSE	LENS LICENSE	1	
33726		33726-LCA5-E00	SOCKET COMP	SOCKET COMP	1	
33740		33740-LFA5-E00	REFLECTOR ASSY R RR	REFLECTOR ASSY R RR	1	
33744		33744-LFA5-E00	PACKING R REFLECTOR RR	PACKING R REFLECTOR RR	1	
33745		33745-LFA5-E00	REFLECTOR ASSY L RR	REFLECTOR ASSY L RR	1	
33749		33749-LFA5-E00	PACKING L REFLECTOR RR	PACKING L REFLECTOR RR	1	
33750		33750-LFA5-E00	LIGHT ASSY L RR COMB	LIGHT ASSY L RR COMB	1	
33751		33751-LFA5-E00	UNIT TAIL LIGHT L	UNIT TAIL LIGHT L	1	
34903		34903-KPCP-900	BULB POSITION	BULB POSITION	1	
34905		34905-LBA7-E00	BULB WINKER 12V10W	BULB WINKER 12V10W	2	
34906		34906-KPCP-900	BULB TAIL & STOP 12V21W/5W	BULB TAIL & STOP 12V21W/5W	2	
91508		91508-KGV7-67A	SCREW TAPPING 4*14	SCREW TAPPING 4*14	2	

F19

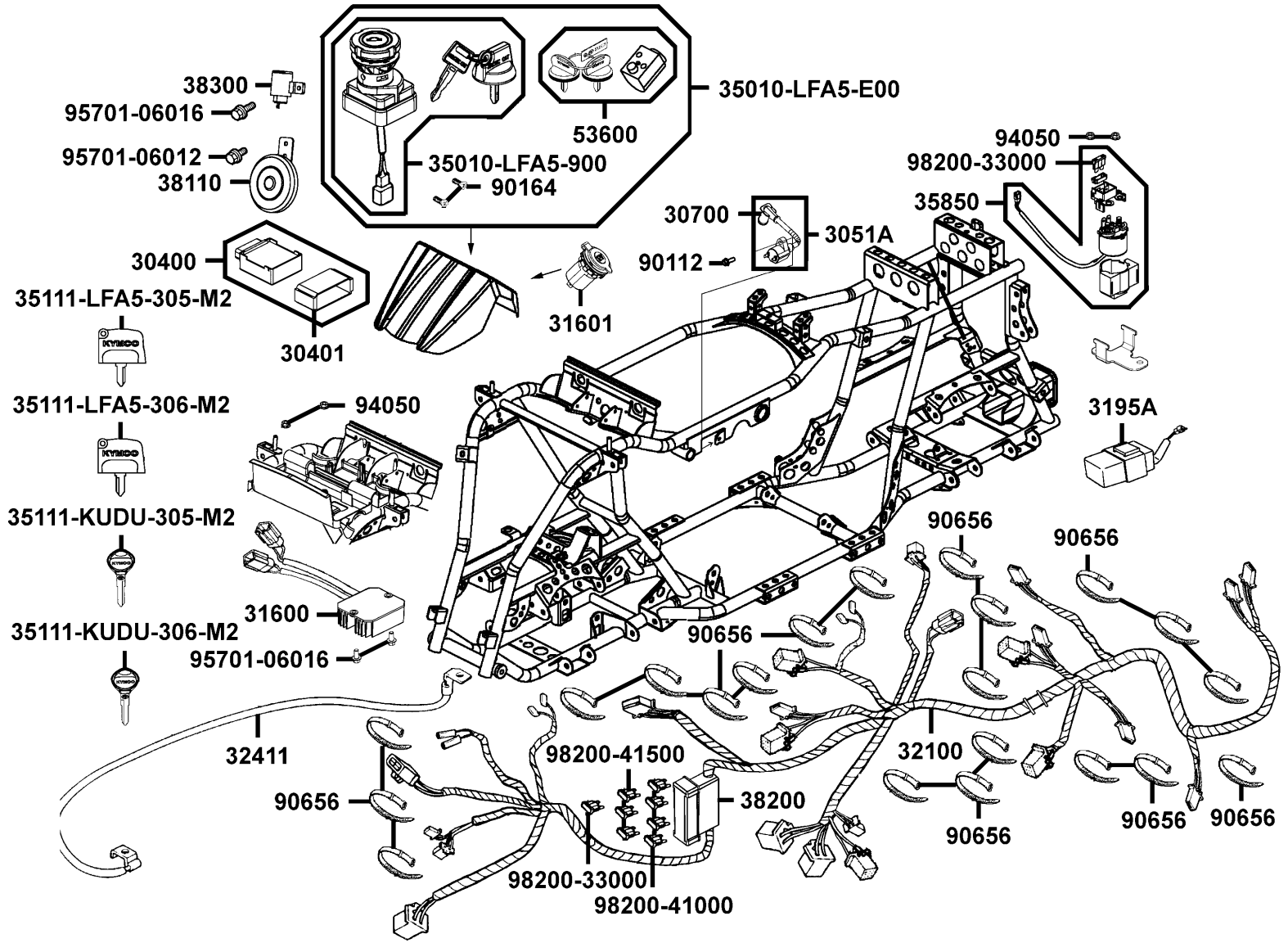
Light Tail



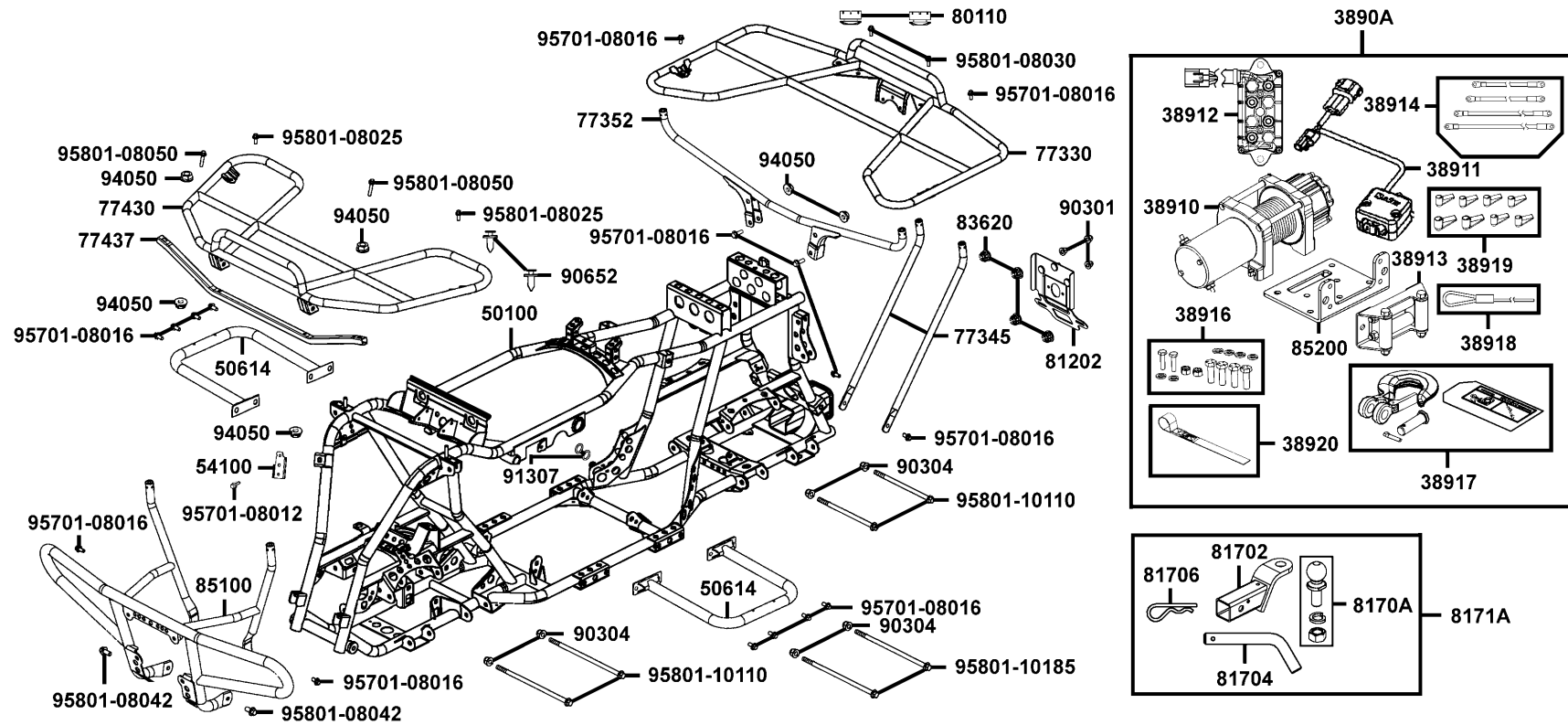
Sales mark	Ref no	Part no	Description	Reg description	Regd no	F19
	93903-34360	93903-34360	SCREW TAPPING 4*12	SCREW TAPPING 4*12	2	
	93903-35260	93903-35260	SCREW TAPPING 5*12	SCREW TAPPING 5*12	8	
	94050	94050-05060	NUT FLANGE 5MM	NUT FLANGE 5MM	2	



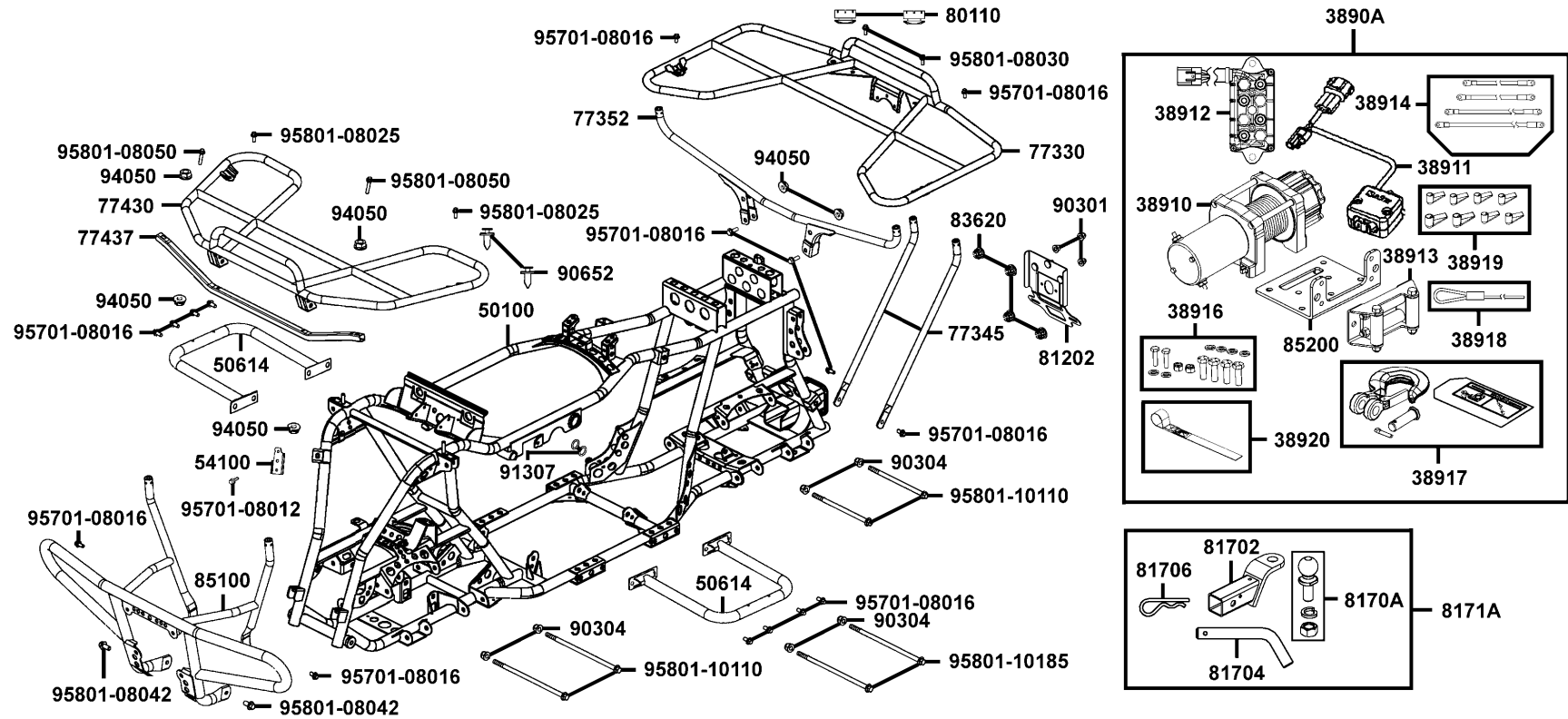
Sales mark	Ref no	Part no	Description	Reg description	Regd no	F20
	30400	30400-PWB1-E00	UNIT ASSY IGNITION	UNIT ASSY IGNITION	1	
	30401	30401-PWB1-900	CUSHION CDI UNIT	CUSHION CDI UNIT	1	
	3051A	3051A-PWB1-900	COIL ASSY IGNITION	COIL ASSY IGNITION	1	
	30700	30700-PWB1-900	CAP ASSY NOISE SUPPRESSO	CAP ASSY NOISE SUPPRESSO	1	
	31600	31600-PWB1-900	REG RECT COMP	REG RECT COMP	1	
	31601	31601-LDB5-E00	SOCKET COMP DC 12V	SOCKET COMP DC 12V	1	
	3195A	3195A-LBA7-E00	HAZARD CONTROL ASSY	HAZARD CONTROL ASSY	1	
	32100	32100-LFA5-E03	HARNES WIRE	HARNES WIRE	1	
	32411	32411-LFA5-E00	CABLE BAT	CABLE BAT	1	
	35010-LFA5-900	35010-LFA5-900	KEY SET	KEY SET	1	
	35010-LFA5-E00	35010-LFA5-E00	KEY SET	KEY SET	1	
	35111-KUDU-305-M2	35111-KUDU-305-M2	KEY COMP (R TANGENT PLANE TJ)	KEY COMP (R TANGENT PLANE TJ)	1	
	35111-KUDU-306-M2	35111-KUDU-306-M2	KEY COMP(L TANGENT PLANE TJ)	KEY COMP(L TANGENT PLANE TJ)	1	
	35111-LFA5-305-M2	35111-LFA5-305-M2	KEY COMP (R TANGENT PLANE/TJ)	KEY COMP (R TANGENT PLANE/TJ)	1	
	35111-LFA5-306-M2	35111-LFA5-306-M2	KEY COMP (L TANGENT PLANE/TJ)	KEY COMP (L TANGENT PLANE/TJ)	1	
	35850	35850-LDB5-E00	SET START MAG	SET START MAG	1	
	38110	38110-LDB5-E00	HORN COMP	HORN COMP	1	
	38200	38200-PWB1-900	BLADE FUSE 30A	BLADE FUSE 30A	1	
	38300	38300-LBC6-90A	RELAY COMP WINKER	RELAY COMP WINKER	1	
	53600	53600-KKAK-325	LOCK STEERING HANDLE ASSY	LOCK STEERING HANDLE ASSY	1	



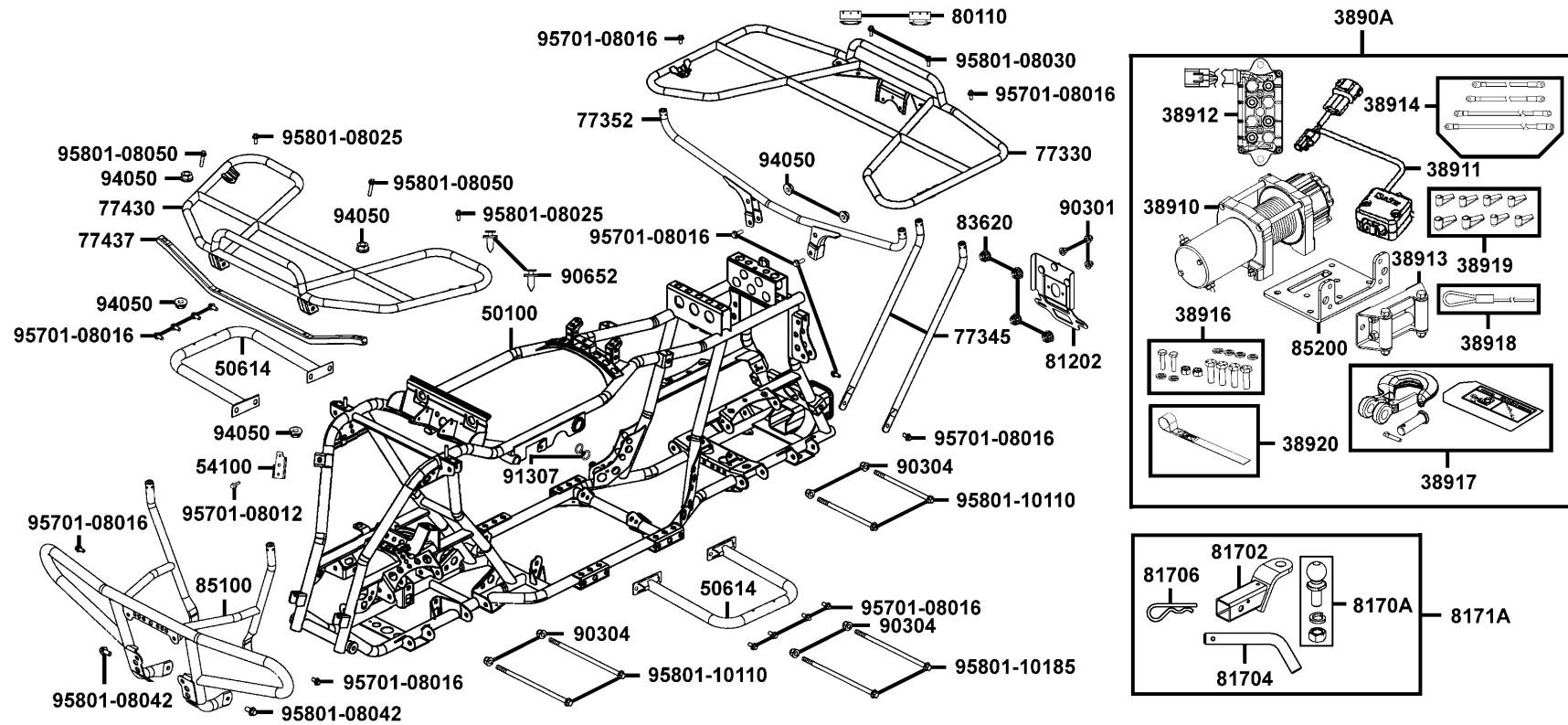
Sales mark	Ref no	Part no	Description	Reg description	Regd no	F20
	90112	90112-KRDR-900	BOLT FLANGE 5*22	BOLT FLANGE 5*22	1	
	90164	90164-0H28-900	SCREW FLAT U LOCK 6*12	SCREW FLAT U LOCK 6*12	2	
	90656	90656-KCBC-900	BAND OIL HOSE	BAND OIL HOSE	21	
	94050	94050-06080	NUT FLANGE 6MM	NUT FLANGE 6MM	4	
	95701-06012	95701-06012-06	BOLT FLANGE 6*12	BOLT FLANGE 6*12	1	
	95701-06016	95701-06016-06	BOLT FLANGE 6*16 (K)	BOLT FLANGE 6*16 (K)	3	
	98200-33000	98200-33000	BLADE FUSE 30A	BLADE FUSE 30A	2	
	98200-41000	98200-41000	FUSE 10A	FUSE 10A	4	
	98200-41500	98200-41500	FUSE 15A	FUSE 15A	3	



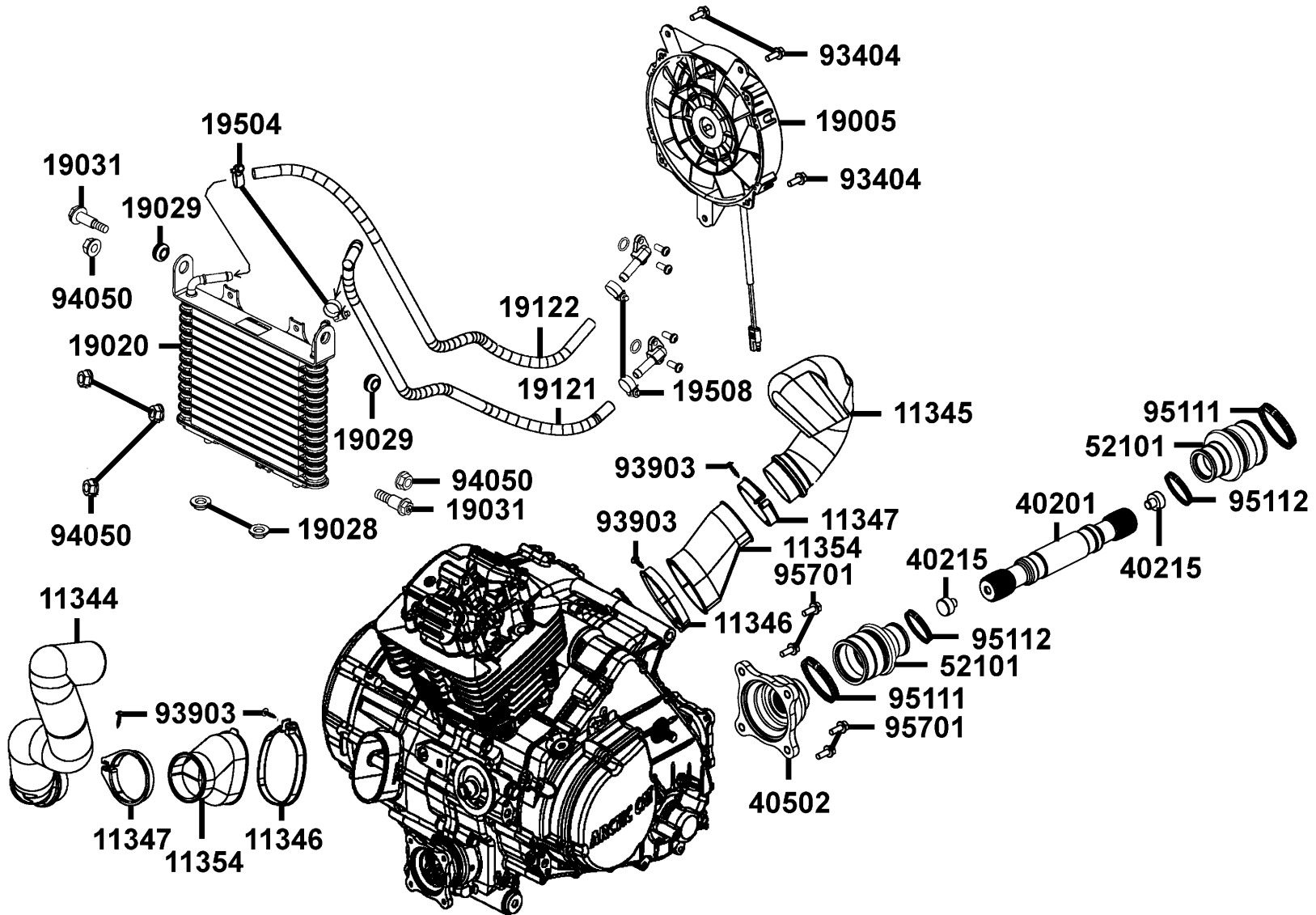
Sales mark	Ref no	Part no	Description	Reg description	Regd no	F21
	3890A	3890A-LFA5-600	WINCH ASSY	WINCH ASSY	1	
	38910	38910-PWB1-E03	WINCH COMP	WINCH COMP	1	
	38911	38911-PWB1-E03	ROCKER SWITCH CABLE	ROCKER SWITCH CABLE	1	
	38912	38912-PWB1-E03	SOLENOID	SOLENOID	1	
	38913	38913-PWB1-E03	ROLLER FAILEAD	ROLLER FAILEAD	1	
	38914	38914-LFA5-600	POWER CORD	POWER CORD	1	
	38916	38916-PWB1-E03	HARDWARE	HARDWARE	1	
	38917	38917-PWB1-E03	HOOK PART ACCESSORIES	HOOK PART ACCESSORIES	1	
	38918	38918-PWB1-E03	CABLE WIRE	CABLE WIRE	1	
	38919	38919-PWB1-E03	INSULATION CAP	INSULATION CAP	1	
	38920	38920-PWB1-E03	STRAP,HOOK	STRAP,HOOK	1	
	50100	50100-LFA5-E00	BODY COMP FRAME	BODY COMP FRAME	1	
	50614	50614-PWB1-900	FOOTREST WELDMENT	FOOTREST WELDMENT	2	
	54100	54100-LFA5-E00	STAY ELE SET	STAY ELE SET	1	
**	77330	77330-LFA5-E00	RACK REAR	RACK REAR	1	
	77345	77345-LFA5-E00	TUBE REAR MOUNT-REAR RACK	TUBE REAR MOUNT-REAR RACK	2	
	77352	77352-LFA5-E00	TUBE RACK MOUNT	TUBE RACK MOUNT	1	
**	77430	77430-LFA5-E00	RACK FRONT	RACK FRONT	1	
	77437	77437-LFA5-E00	TUBE REAR MOUNTING-FRONT RACK	TUBE REAR MOUNTING-FRONT RACK	1	
	80110	80110-LBA7-900	RUBBER REAR FENDER	RUBBER REAR FENDER	2	



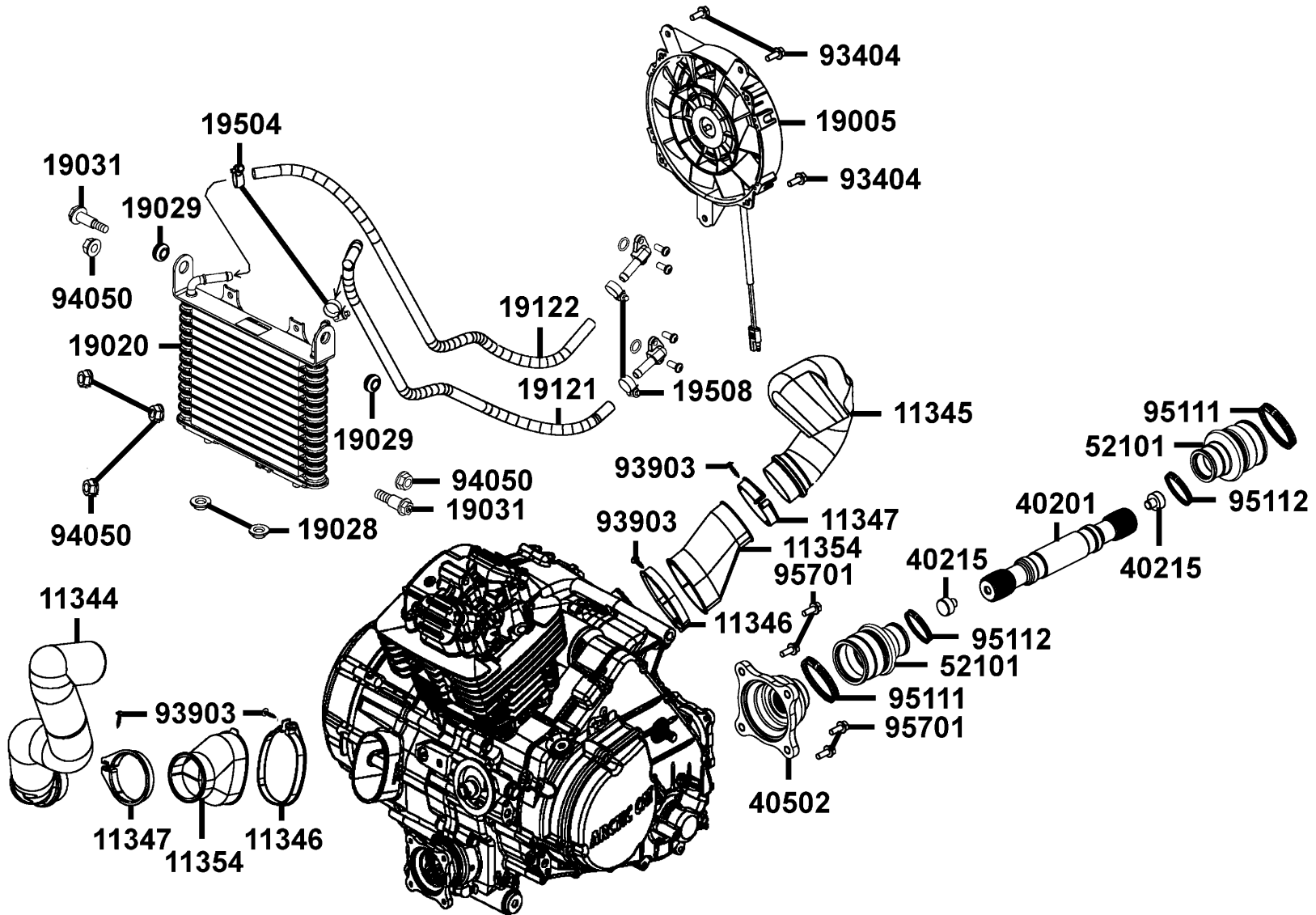
Sales mark	Ref no	Part no	Description	Reg description	Regd no	F21
	81202	81202-LDB5-E00	STAY NUMBER PLATE	STAY NUMBER PLATE	1	
	81702	81702-LEE8-E00	HITCH	HITCH	1	
	81704	81704-PWB1-900	HITCH PIN	HITCH PIN	1	
	81706	81706-PWB1-900	CLIP HITCH PIN	CLIP HITCH PIN	1	
	8170A	8170A-LEE8-E00	HITCH BALL ASSY	HITCH BALL ASSY	1	
	8171A	8171A-LEE8-E00	HITCH ASSY	HITCH ASSY	1	
	83620	83620-LFA5-E00	CAP PIPE	CAP PIPE	4	
**	85100	85100-LFA5-E00	BUMPER FRONT	BUMPER FRONT	1	
	85200	85200-LFA5-600	PLATE WINCH-WELDMENT	PLATE WINCH-WELDMENT	1	
	90301	90301-6C93-001	NUT 6MM OPENSTAY	NUT 6MM OPENSTAY	3	
	90304	90304-GLW0-90A	NUT U FLANGE 10MM	NUT U FLANGE 10MM	6	
	90652	90652-LDB5-900	CLIP MUDGUARD	CLIP MUDGUARD	2	
	91307	91307-PWB1-900	O-RING 10.82X1.778	O-RING 10.82X1.778	2	
	94050	94050-08060	NUT FLANGE 8MM	NUT FLANGE 8MM	6	
	95701-08012	95701-08012-06	BOLT FLANGE 8*12	BOLT FLANGE 8*12	1	
	95701-08016	95701-08016-06	BOLT FLANGE 8*16	BOLT FLANGE 8*16	16	
	95801-08025	95801-08025-06	BOLT FLANGE 8x25 (G)	BOLT FLANGE 8x25 (G)	2	
	95801-08030	95801-08030-06	BOLT FLANGE 8*30(G)	BOLT FLANGE 8*30(G)	2	
	95801-08042	95801-08042-06	BOLT FLANGE 8*42	BOLT FLANGE 8*42	2	
	95801-08050	95801-08050-06	BOLT FLANGE 8*50	BOLT FLANGE 8*50	2	



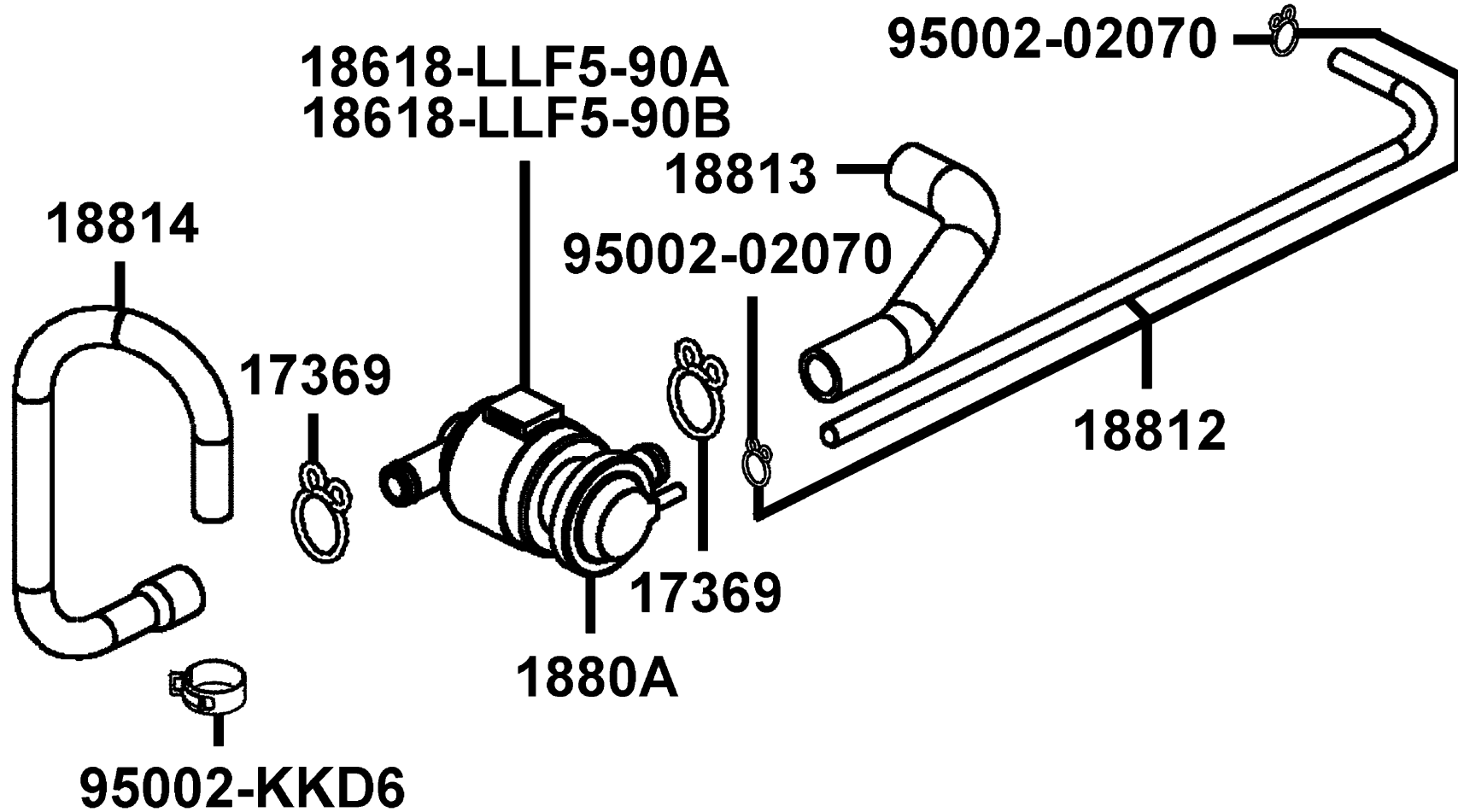
Sales mark	Ref no	Part no	Description	Reg description	Regd no	F21
	95801-10110	95801-10110-06	BOLT FLANGE 10*110	BOLT FLANGE 10*110	4	
	95801-10185	95801-10185-06	BOLT FLANGE 10*185 (G)	BOLT FLANGE 10*185 (G)	2	



Sales mark	Ref no	Part no	Description	Reg description	Regd no	F22
11344		11344-PWB1-900	DUCT BELT AIR OUT	DUCT BELT AIR OUT	1	
11345		11345-PWB1-900	DUCT BELT AIR IN	DUCT BELT AIR IN	1	
11346		11346-PWB1-900	CLAMP PLASTC-SCREW-OVAL	CLAMP PLASTC-SCREW-OVAL	2	
11347		11347-PWB1-900	CLAMP PLASTC-SCREW-OVAL	CLAMP PLASTC-SCREW-OVAL	2	
11354		11354-PWB1-900	BOOT AIR-IN	BOOT AIR-IN	2	
19005		19005-PWB1-900	FAN COOLUGN-SMALL-6	FAN COOLUGN-SMALL-6	1	
19020		19020-PWB1-900	COOLER OIL	COOLER OIL	1	
19028		19028-PWB1-900	BUSHING STEM	BUSHING STEM	2	
19029		19029-PWB1-900	GROMMET	GROMMET	2	
19031		19031-PWB1-900	BOLT SHOULDER	BOLT SHOULDER	2	
19121		19121-PWB1-900	HOSE OIL 30	HOSE OIL 30	1	
19122		19122-PWB1-900	HOSE OIL-OUT	HOSE OIL-OUT	1	
19504		19504-LBA2-E00	CLAMP D 16.8	CLAMP D 16.8	2	
19508		19508-LEE8-E00	CLAMP 20.0	CLAMP 20.0	2	
40201		40201-PWB1-900	SHAFT PROPELLER-REAR	SHAFT PROPELLER-REAR	1	
40215		40215-PWB1-900	BUMPER DRIVESHAFT	BUMPER DRIVESHAFT	2	
40502		40502-PWB1-900	FLANGE OUTPUT	FLANGE OUTPUT	1	
52101		52101-PWB1-900	BOOT COUPLER	BOOT COUPLER	2	
93404		93404-06016-06	BOLT WASHER 6*16	BOLT WASHER 6*16	3	
93903		93903-45360	SCREW TAPPING 5*16	SCREW TAPPING 5*16	4	



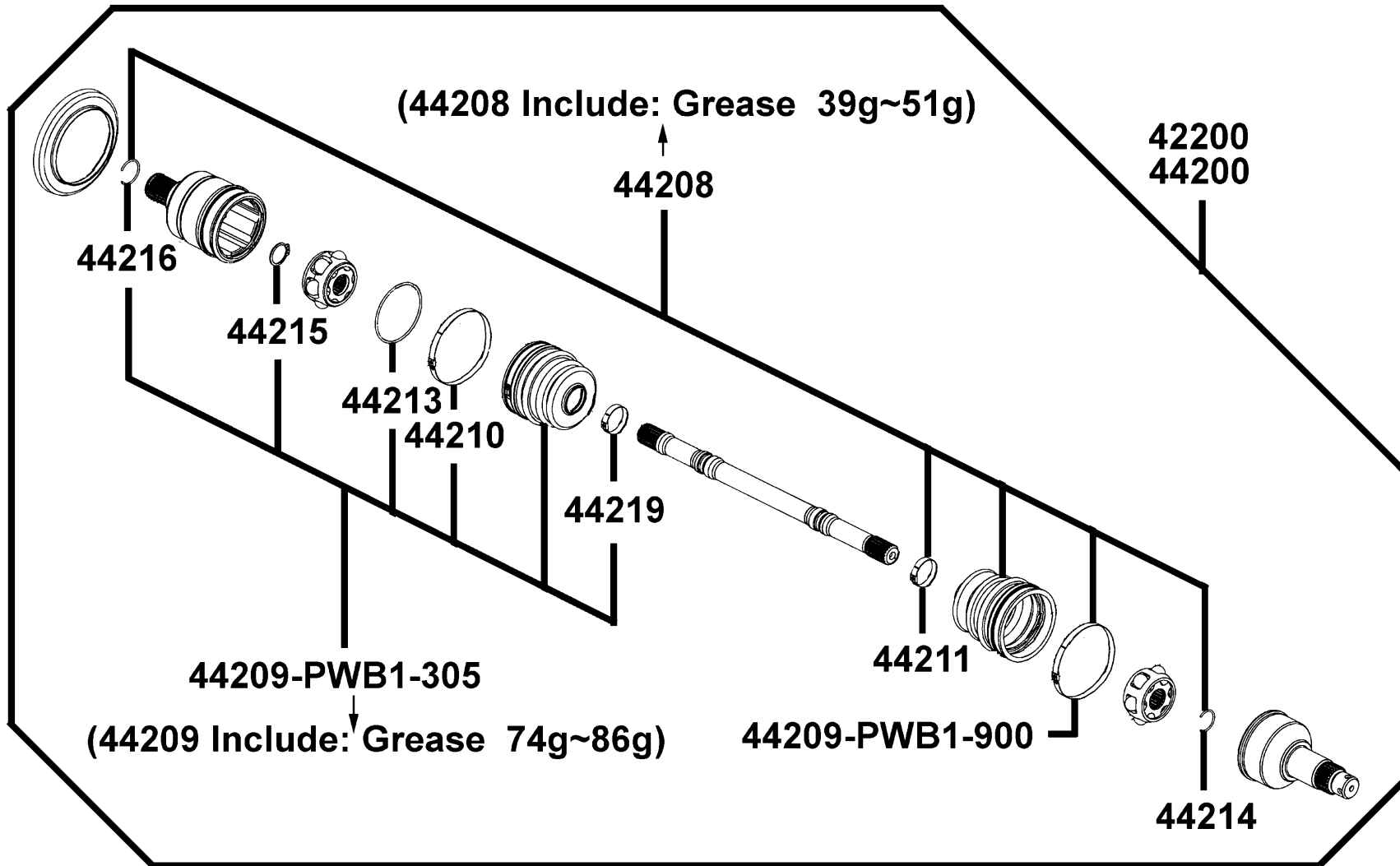
Sales mark	Ref no	Part no	Description	Reg description	Regd no	F22
	94050	94050-06060	NUT FLANGE 6MM	NUT FLANGE 6MM	5	
	95111	95111-PWB1-900	CLAMP BOOT	CLAMP BOOT	2	
	95112	95112-PWB1-900	CLAMP 30mm-BOOT	CLAMP 30mm-BOOT	2	
	95701	95701-08020-06	BOLT FLANGE 8*20	BOLT FLANGE 8*20	4	



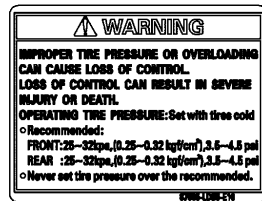
Sales mark	Ref no	Part no	Description	Reg description	Regd no	F23
	17369	17369-KDB4-671	CLIP BREATHER TUBE	CLIP BREATHER TUBE	2	
	18618-LLF5-90A	18618-LLF5-90A	RUBBER AICV MOUNT	RUBBER AICV MOUNT	1	
	18618-LLF5-90B	18618-LLF5-90B	RUBBER AICV MOUNT	RUBBER AICV MOUNT	1	
	1880A	1880A-LFA5-E0A	AI/C-AICV ASSY.	AI/C-AICV ASSY.	1	
	18812	18812-LFA5-E00	"TUBE ASSY.,VACUUM"	"TUBE ASSY.,VACUUM"	1	
	18813	18813-LFA5-E00	"DUCT,AICV-REED VALVE"	"DUCT,AICV-REED VALVE"	1	
	18814	18814-LFA5-E00	"DUCT,AIR-AICV"	"DUCT,AIR-AICV"	1	
	95002-02070	95002-02070	CLIP B7 TUBE	CLIP B7 TUBE	2	
	95002-KKD6	95002-KKD6-E05	CLAMP D18 TUBE	CLAMP D18 TUBE	1	

F24

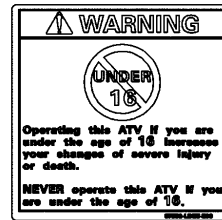
Separated Parts Of Halfshaft



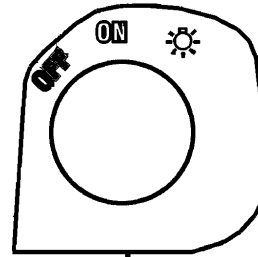
Sales mark	Ref no	Part no	Description	Reg description	Regd no	F24
	42200	42200-PWB1-800	HALFSHAFT REAR	HALFSHAFT REAR	1	
	44200	44200-PWB1-800	HALFSHAFT FRONT	HALFSHAFT FRONT	1	
	44208	44208-PWB1-305	WHEEL SIDE BOOT SERVICE KIT	WHEEL SIDE BOOT SERVICE KIT	2	
	44209-PWB1-305	44209-PWB1-305	DIFF SIDE BOOT SERVICE KIT	DIFF SIDE BOOT SERVICE KIT	2	
	44209-PWB1-900	44209-PWB1-900	BOOT-BAND (L)	BOOT-BAND (L)	2	
	44210	44210-PWB1-900	BOOT-BAND (L)	BOOT-BAND (L)	2	
	44211	44211-PWB1-900	BOOT-BAND (S)	BOOT-BAND (S)	2	
	44213	44213-PWB1-900	CIRCLIP (DOJ MONTH)	CIRCLIP (DOJ MONTH)	2	
	44214	44214-PWB1-900	CIRCLIP	CIRCLIP	2	
	44215	44215-PWB1-900	SNAP RING	SNAP RING	2	
	44216	44216-PWB1-900	CIRCLIP (DOJ STEM)	CIRCLIP (DOJ STEM)	2	
	44219	44219-PWB1-900	BOOT-BAND (S)	BOOT-BAND (S)	2	



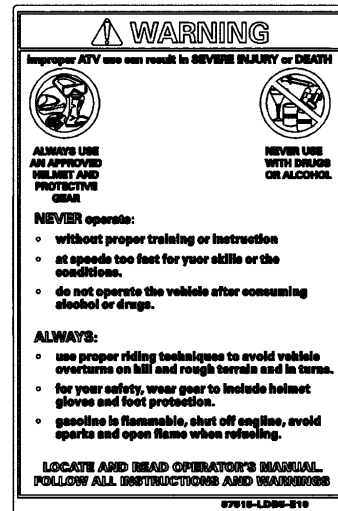
87505



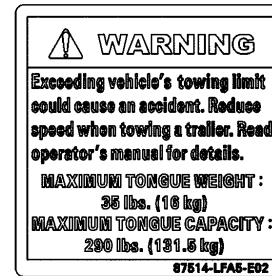
87517



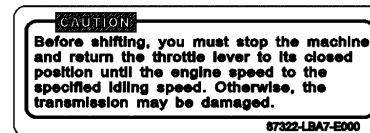
86182



87515



87514



87322



87556-LFA5-E00

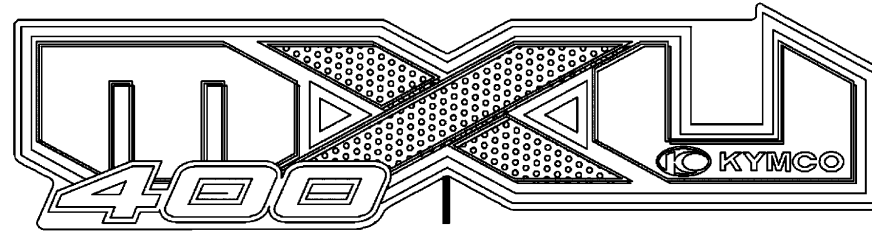


87556-LFA5-E01

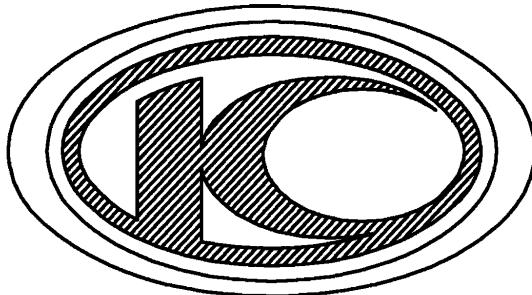
Sales mark	Ref no	Part no	Description	Reg description	Regd no	F25
**	86182	86182-LFA5-M30	SW LABEL	SW LABEL	1	
**	87322	87322-LBA7-E00	CAUTION SHIFIT GEARS	CAUTION SHIFIT GEARS	1	
**	87505	87505-LDB5-E01	LABEL TIRE ON ROAD	LABEL TIRE ON ROAD	1	
**	87514	87514-LFA5-E02	WARNING MAXIMUM CAPACITY	WARNING MAXIMUM CAPACITY	1	
**	87515	87515-LDB5-E01	DRIVE WARNING LIST-ON ROAD	DRIVE WARNING LIST-ON ROAD	1	
**	87517	87517-LDB5-E00	CAUTION DRIVE AGE 16	CAUTION DRIVE AGE 16	1	
**	87556-LFA5-E00	87556-LFA5-E00	WARNING CARRIER MAX LOAD (34 kg)	WARNING CARRIER MAX LOAD (34 kg)	1	
**	87556-LFA5-E01	87556-LFA5-E01	WARNING CARRIER MAX LOAD (68 kg)	WARNING CARRIER MAX LOAD (68 kg)	1	



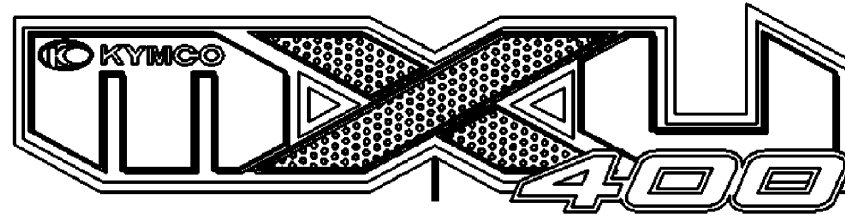
87532-LBE8



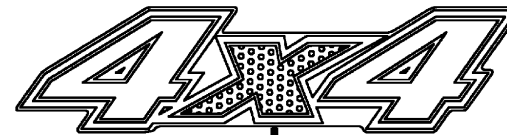
86223



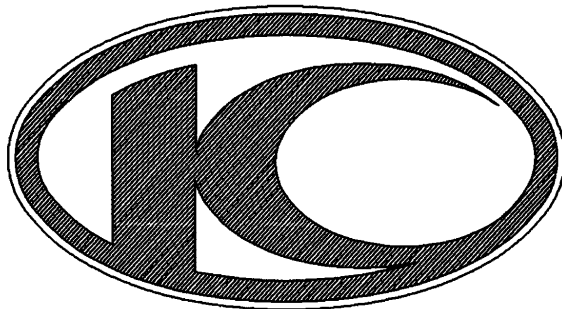
86102



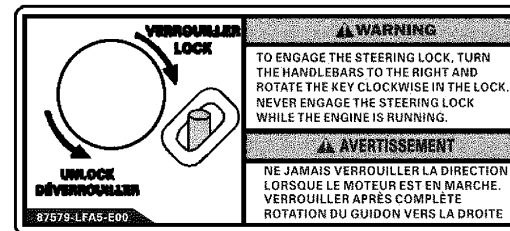
86233



86303



87532-LCA5



87579

Sales mark	Ref no	Part no	Description	Reg description	Regd no	F26
**	86102	86102-LDB5-900	STRIPE K-LOGO 28.5MM	STRIPE K-LOGO 28.5MM	1	
**	86223	86223-LFA5-E61	STRIPE R FUEL TANK	STRIPE R FUEL TANK	1	
**	86233	86233-LFA5-E61	STRIPE L FUEL TANK	STRIPE L FUEL TANK	1	
**	86303	86303-LFA5-M30	STRIPE 4*4	STRIPE 4*4	2	
**	87532-LBE8	87532-LBE8-900	STRIPE KYMCO	STRIPE KYMCO	1	
**	87532-LCA5	87532-LCA5-900	STRIPE K-LOGO 60MM	STRIPE K-LOGO 60MM	1	
**	87579	87579-LFA5-E00	WARNING DECAL HANDLEBAR LOCK	WARNING DECAL HANDLEBAR LOCK	1	

PART NO. INDEX

PART NO.	VERSION	PAGE	PART NO.	VERSION	PAGE	PART NO.	VERSION	PAGE	
13111-PWB1-900	3	E04	14721-PWB1-900	6	E03	16000			
13418-PWB1-900	4	E04	14751-PWB1-900	3	E03				
13421-PWB1-900	2	E04	14771-PWB1-900	3	E03				
14000			14777-PWB1-900	3	E03		16075-KG8-9010-M1	0	E11
			14781-MFA6-001	0	E03		1610K-LFA5-E00	0	E11
			15000				16215-LFA5-E00	1	E03
14100-PWB1-910	1	E03					16911-LFA5-E00	2	F10
14321-PWB1-900	5	E03					16950-PWB1-900	3	F10
14323-PWB1-900	1	E03		15051-PWB1-900	1		E01	16951-PWB1-900	1
14324-PWB1-900	2	E03	15052-PWB1-900	1	E05		16958-KHB4-900	1	E01
14401-PWB1-900	2	E04	15100-PWB1-900	4	E07	16958-KHB4-900	1	E05	
14431-PWB1-900	4	E03	15111-PWB1-900	1	E01	17000			
14432-PWB1-900	3	E03	15112-PWB1-900	1	E01				
14451-PWB1-900	4	E03	15131-PWB1-900	2	E04				
14510-PWB1-900	3	E04	15133-PWB1-900	3	E07		17104-LFA5-E00	3	E03
14531-PWB1-900	6	E04	15200-PWB1-900	2	E05		1711A-LFA5-E00	1	E03
14550-LBA2-E00	4	E04	1541A-PWB1-900	1	E01		17200-LFA5-E00	0	F13
14553-LBA2-E00	1	E04	15420-PWB1-900	2	E01		17206-PWB1-900	1	F13
14554-KAM1-004	0	E04	15436-PWB1-900	2	E01		17208-PWB1-900	0	F13
14555-LBA2-E00	1	E04	15438-PWB1-900	2	E01		17212-PWB1-900	0	F13
14557-LBA2-E00	2	E04	15438-PWB1-900	2	E03		17214-PWB1-900	1	F13
14558-LBA2-E00	2	E04	15439-PWB1-900	2	E01	17215-PWB1-900	6	F13	
14559-LBA2-E00	1	E04	1565A-PWB1-900	4	E05	1721A-PWB1-900	2	F13	
14560-LBA2-E00	1	E04	15711-PWB1-900	1	E04	17228-PWB1-900	2	F13	
14610-PWB1-900	2	E04				17230-PWB1-900	6	F13	
14711-PWB1-900	5	E03				17231-PWB1-900	5	F13	

PART NO. INDEX

PART NO.	VERSION	PAGE	PART NO.	VERSION	PAGE	PART NO.	VERSION	PAGE
17253-PWB1-900	4	F13	18318-PWB1-900	2	F14	19122-PWB1-900	0	F22
17254-PWB1-900	5	F13	18320-PWB1-E00	0	F14	19504-LBA2-E00	3	F22
17255-PWB1-900	1	F13	18328-LFA5-910	0	F14	19508-LEE8-E00	1	F22
17256-PWB1-900	1	F13	18329-PWB1-700	0	F14			
17257-PWB1-900	5	F13	18339-PWB1-900	1	F14	22000		
17291-PWB1-900	1	F13	18391-PWB1-900	1	F14			
17292-PWB1-900	1	F13	18601-KBE2-900	4	E03	22102-PWB1-900	3	E06
17369-KDB4-671	1	F23	18612-KFB5-900	1	E03	22105-PWB1-900	4	E06
17500-LFA5-E00	3	F10	18618-LLF5-90A	2	F23	22110-PWB1-900	4	E06
17505-PWB1-900	0	F13	18618-LLF5-90B	2	F23	22121-PWB1-900	2	E06
17507-PWB1-900	3	F13	18645-LBA2-E00	1	E03	22127-LDB5-E00	0	E06
17508-PWB1-900	0	E03	18646-GFY6-941	0	E03	22128-PWB1-900	3	E06
17522-PWB1-900	1	F10	18647-LFA5-E00	3	E03	22131-PWB1-900	3	E06
17560-LGC7-E00	1	F12	1880A-LFA5-E0A	1	F23	22132-PWB1-900	4	E06
1763A-LFA5-E00	3	F10	18812-LFA5-E00	1	F23	22402-PWB1-900	0	E06
17700-LFA5-E00	1	F05	18813-LFA5-E00	1	F23	2261A-PWB1-900	5	E06
17910-LFA5-E00	2	F03	18814-LFA5-E00	2	F23	2262A-PWB1-900	3	E06
18000			19000			22630-PWB1-900	0	E06
18291-PWB1-900	1	F14	19005-PWB1-900	1	F22	22641-PWB1-900	2	E06
18293-PWB1-900	4	F14	19020-PWB1-900	1	F22	2266A-PWB1-900	5	E06
18305-PWB1-900	1	F14	19028-PWB1-900	1	F22	23000		
1830A-LFA5-E00	4	F14	19029-PWB1-900	0	F22	2301A-PWB1-900	9	E06
18310-LFA5-E01	0	F14	19031-PWB1-900	1	F22	23100-PWB1-900	1	E06
18317-PWB1-900	1	F14	19121-PWB1-900	2	F22	23201-PWB1-900	4	E06

PART NO. INDEX

PART NO.	VERSION	PAGE	PART NO.	VERSION	PAGE	PART NO.	VERSION	PAGE	
23210-PWB1-900	2	E08	23519-PWB1-900	1	E10	2470A-LFA5-E00	4	F15	
23220-PWB1-900	6	E06	23521-PWB1-900	2	E08	24721-PWB1-900	2	F15	
23222-PWB1-800	1	E06	24000			24722-PWB1-900	3	F15	
23223-PWB1-900	2	E06				24723-PWB1-900	3	F15	
23230-PWB1-900	2	E08				24781-LFA5-E00	0	F15	
23233-PWB1-900	2	E06		24080-PWB1-900	3	F15	2478A-LFA5-E00	2	F15
23237-PWB1-900	2	E06		24221-PWB1-900	3	E08			
23240-PWB1-900	5	E06	24241-PWB1-900	3	E08	28000			
23250-PWB1-900	6	E06	24242-PWB1-900	4	E08				
23252-PWB1-900	4	E06	24301-PWB1-900	3	E08	28101-PWB1-900	3	E07	
23256-PWB1-900	1	E06	24302-PWB1-900	3	E08	28102-PWB1-900	2	E07	
23411-PWB1-900	9	E08	24305-PWB1-900	1	E08	28110-PWB1-900	4	E07	
23421-PWB1-900	4	E08	24310-PWB1-900	3	E08	28112-PWB1-900	1	E07	
23425-PWB1-900	2	E08	24411-PWB1-900	5	E08	28113-PWB1-900	2	E07	
23430-PWB1-900	2	E10	24421-PWB1-900	1	E01	28120-PWB1-900	2	E07	
23431-PWB1-900	4	E10	24430-PWB1-900	2	E08				
23441-PWB1-900	6	E10	24435-PWB1-900	1	E08	30000			
23451-PWB1-900	3	E08	24610-PWB1-900	2	E08				
23471-PWB1-900	1	E08	2461A-PWB1-900	2	E08	30300-KED9-900	0	E07	
23472-PWB1-900	2	E08	24702-LFA5-E00	2	F15	30400-PWB1-E00	1	F20	
23473-PWB1-900	1	E08	24703-PWB1-900	3	F15	30401-PWB1-900	2	F20	
23481-PWB1-900	2	E08	24704-PWB1-900	2	F13	3051A-PWB1-900	5	F20	
23510-PWB1-900	2	E08	24704-PWB1-900	2	F15	30700-PWB1-900	3	F20	
23511-PWB1-900	3	E08	24705-PWB1-900	3	F15				
23512-PWB1-900	3	E08	24707-LFA5-E00	2	F15				
23518-PWB1-900	3	E08	24708-PWB1-900	1	F15				

PART NO. INDEX

PART NO.	VERSION	PAGE	PART NO.	VERSION	PAGE	PART NO.	VERSION	PAGE
31000			33120-LFA5-E00	1	F01	34000		
			33130-LFA5-E00	0	F01			
			33150-LFA5-E00	2	F01			
31110-PWB1-900	5	E07	33400-LFA5-E00	1	F18	34901-KFA6-900	0	F01
31120-LFA5-E00	2	E07	33401-LFA5-E00	0	F18	34903-KPCP-900	0	F01
31210-PWB1-900	5	E07	33406-LFA5-E00	0	F18	34903-KPCP-900	0	F19
31350-LDB5-E0A	1	E05	33450-LFA5-E00	1	F18	34905-LBA7-E00	0	F18
31500-LFA5-E00	1	F11	33451-LFA5-E00	0	F18	34905-LBA7-E00	0	F19
31600-PWB1-900	1	F20	33456-LFA5-E00	0	F18	34906-KPCP-900	0	F19
31601-LDB5-E00	4	F20	33700-LFA5-E00	2	F19	35000		
31605-PWB1-900	3	F05	33701-LFA5-E00	0	F19			
3195A-LBA7-E00	1	F20	33706-GCN3-67A	0	F19			
32000			33709-KBAB-003	0	F19	35010-LFA5-900	1	F20
			33710-LFA5-E00	0	F19	35010-LFA5-E00	1	F20
			33715-LFA5-E00	0	F19	35107-PWB1-900	1	E07
32100-LFA5-E03	0	F20	33720-LCA5-E00	2	F19	35108-PWB1-900	1	E05
32161-4D04-001	2	F03	33722-KHB4-E00	0	F19	35111-KUDU-305-M2	0	F20
32410-LFA5-E00	3	E07	33725-KHB4-E00	0	F19	35111-KUDU-306-M2	0	F20
32411-2C53-001	3	E07	33726-LCA5-E00	0	F19	35111-LFA5-305-M2	0	F20
32411-LFA5-E00	2	F20	33740-LFA5-E00	1	F19	35111-LFA5-306-M2	0	F20
32412-LFA5-E00	3	E07	33744-LFA5-E00	0	F19	3515A-LDB5-E00	3	F03
33000			33745-LFA5-E00	1	F19	3520A-LDB5-E00	1	F03
			33749-LFA5-E00	0	F19	35340-LDB5-900	0	F04
			33750-LFA5-E00	2	F19	35340-PWB1-E00	1	F15
33100-LFA5-E00	2	F01	33751-LFA5-E00	0	F19	35759-PWB1-900	5	E01
33110-LFA5-E00	1	F01				35850-LDB5-E00	1	F20

PART NO. INDEX

PART NO.	VERSION	PAGE	PART NO.	VERSION	PAGE	PART NO.	VERSION	PAGE
37000			39000			41440-PWB1-900	2	F17
37119-LFA5-E00	0	F02	39300-PWB1-900	1	E09	41441-PWB1-900	2	F17
37200-PWB1-E00	2	F02				41442-PWB1-900	2	F17
37750-PWB1-900	6	E01	40000			42000		
37760-PWB1-900	6	E01				42200-PWB1-800	1	F08
3780A-PWB1-900	5	F10	40201-PWB1-900	3	F22	42200-PWB1-800	1	F24
38000			40215-PWB1-900	1	E10	42400-PWB1-900	6	E09
			40215-PWB1-900	1	F22	42400-PWB1-900	6	F07
			40401-PWB1-900	2	E10	42401-PWB1-900	1	E09
38110-LDB5-E00	1	F20	4040A-PWB1-900	3	E10	42401-PWB1-900	1	F17
38200-PWB1-900	0	F20	40502-PWB1-900	1	E10	42402-PWB1-900	1	E09
38300-LBC6-90A	2	F20	40502-PWB1-900	1	F22	42402-PWB1-900	1	F17
3890A-LFA5-600	3	F21	41000			42404-PWB1-900	1	E09
38910-PWB1-E03	2	F21				42404-PWB1-910	1	F17
38911-PWB1-E03	1	F21				42407-PWB1-900	1	E09
38912-PWB1-E03	1	F21	41300-PWB1-900	5	F08	42407-PWB1-900	1	F17
38913-PWB1-E03	1	F21	41300-PWB1-900	5	F17	42408-PWB1-900	1	E09
38914-LFA5-600	1	F21	41311-PWB1-900	1	F17	42409-PWB1-900	1	E09
38916-PWB1-E03	1	F21	41431-PWB1-900	3	F17	42410-PWB1-900	1	E09
38917-PWB1-E03	2	F21	41435-PWB1-900	1	E09	42410-PWB1-900	1	F17
38918-PWB1-E03	0	F21	41435-PWB1-900	1	F17	42413-PWB1-900	1	E09
38919-PWB1-E03	0	F21	41436-PWB1-900	1	F17	42413-PWB1-900	1	F17
38920-PWB1-E03	0	F21	41438-PWB1-900	2	F17	42414-PWB1-900	1	E09
			41439-PWB1-900	2	F17	42415-PWB1-900	1	E09

PART NO. INDEX

PART NO.	VERSION	PAGE	PART NO.	VERSION	PAGE	PART NO.	VERSION	PAGE
42416-PWB1-900	1	E09	42454-PWB1-900	1	E09	43146-LEC1-E00	0	F08
42418-PWB1-900	1	E09	42454-PWB1-910	1	F17	43147-LEC1-E00	0	F08
42419-PWB1-900	1	E09	42456-PWB1-900	1	E09	43450-LFA5-E00	3	F04
42419-PWB1-900	1	F17	42456-PWB1-900	1	F17	43500-LFA5-E00	2	F15
42421-PWB1-900	1	E09	42463-PWB1-900	0	E09	43525-PWA1-900	0	F04
42422-PWB1-900	1	E09	42463-PWB1-900	0	F17	43526-PWA1-900	0	F04
42422-PWB1-900	1	F17	42464-PWB1-900	0	E09	43527-PWA1-900	0	F04
42423-PWB1-900	1	E09	42464-PWB1-900	0	F17	43528-PWA1-900	0	F04
42423-PWB1-900	1	F17	42465-PWB1-900	0	E09	43530-LFA5-305	0	F04
42424-PWB1-900	2	E09	42465-PWB1-900	0	F17	43600-LDB5-E00	3	F04
42425-PWB1-900	2	E09	42466-PWB1-900	0	E09			
42425-PWB1-910	3	F17	42466-PWB1-900	0	F17	44000		
42428-PWB1-900	1	E09	42467-PWB1-900	0	E09			
42430-PWB1-900	1	E09	42467-PWB1-900	0	F17	44200-PWB1-800	1	F07
42430-PWB1-910	1	F17	4270A-LFA5-E00	2	F08	44200-PWB1-800	1	F24
42432-PWB1-900	4	E09	42710-LFA5-E00	3	F08	44208-PWB1-305	0	F24
42442-PWB1-900	3	E09	42753-KNBN-90B	1	F07	44209-PWB1-305	0	F24
42442-PWB1-900	3	F17	42753-KNBN-90B	1	F08	44209-PWB1-900	0	F24
42448-PWB1-900	1	E09				44210-PWB1-900	0	F24
42448-PWB1-900	1	F17	43000			44211-PWB1-900	0	F24
42449-PWB1-900	1	E09				44213-PWB1-900	0	F24
42449-PWB1-900	1	F17	43100-LFA5-E00	2	F08	44214-PWB1-900	0	F24
42451-PWB1-900	1	E09	43110-LFA5-E00	0	F08	44215-PWB1-900	0	F24
42451-PWB1-900	1	F17	43127-LFA5-E00	2	F04	44216-PWB1-900	0	F24
42453-PWB1-900	2	E09	43140-LEC1-E00	0	F08	44219-PWB1-900	0	F24
42453-PWB1-900	2	F17	43143-LEC1-E00	0	F08	44705-LFA5-900	4	F07

PART NO. INDEX

PART NO.	VERSION	PAGE	PART NO.	VERSION	PAGE	PART NO.	VERSION	PAGE
44705-LFA5-900	4	F08	45132-LBA7-900	1	F04			
4470A-LFA5-E00	2	F07	45133-LEC1-E00	0	F08	47000		
4470A-LFA5-E00	2	F08	45200-PWB1-900	4	F07			
44710-LFA5-E00	2	F07	45200-PWB1-900	4	F08	47400-PWB1-900	4	F06
45000			45203-LEC1-E00	0	F08	47410-LDB5-E00	2	F07
			45230-PWB1-305	0	F07	47410-LDB5-E00	2	F08
			45230-PWB1-305	0	F08	47450-PWB1-900	4	F16
45100-PWB1-900	3	F07	45232-LEC1-E00	0	F08	47500-PWB1-900	4	F06
45105-LFA5-305	0	F08	45352-PWB1-305	0	F07	47550-PWB1-900	4	F16
45105-PWB1-305	0	F07	45352-PWB1-305	0	F08	50000		
45105-PWB1-305	0	F08	45513-KKC4-900	0	F04			
45107-LEC1-E00	0	F08	45513-LEA7-E00	1	F04			
45107-PWB1-305	0	F07	45517-KFAF-910	0	F04	50100-LFA5-E00	2	F21
45107-PWB1-305	0	F08	45517-LDE9-E00	0	F04	50266-PWB1-900	3	F12
45109-LEC1-E00	0	F08	45520-KKA8-900	0	F04	50326-LFA5-E00	2	F11
45110-PWB1-305	0	F07	45520-KKC4-900	0	F04	50612-PWB1-900	2	F12
45110-PWB1-305	0	F08	45525-LBA7-900	0	F04	50614-PWB1-900	4	F21
45116-LEC1-E00	0	F08	45526-LBA7-900	0	F04	51000		
45117-LEC1-E00	0	F08	45527-LBA7-900	0	F04			
45121-PWB1-900	2	F07	45530-LDB5-305	0	F04			
45121-PWB1-900	2	F08	45531-LEC1-E00	0	F08	51400-PWB1-900	6	F06
45124-PWB1-E00	2	F04	46000			52000		
45125-LFA5-E00	6	F04						
45126-LFA5-E00	5	F04						
45127-LFA5-E00	4	F04	46500-PWB1-900	3	F15	52101-PWB1-900	1	F22
45128-LFA5-E01	1	F04	46503-LFA5-E00	2	F15	52102-PWB1-900	1	E10

PART NO. INDEX

PART NO.	VERSION	PAGE	PART NO.	VERSION	PAGE	PART NO.	VERSION	PAGE	
52103-PWB1-900	2	F06	53250-PWB1-900	1	F06	60000			
52103-PWB1-900	2	F16	53251-PWB1-900	1	F06				
52104-PWB1-900	2	F06	53252-PWB1-900	1	F06				
52104-PWB1-900	2	F16	53253-PWB1-900	1	F06		60100-LFA5-E00	1	F05
52108-PWB1-900	3	F06	53261-PWB1-900	3	F06		60102-PWB1-900	1	F05
52108-PWB1-900	3	F16	53400-PWB1-900	5	F06		60112-PWB1-900	1	F05
52144-PWB1-900	2	F06	53400-PWB1-900	10	F06		60112-PWB1-900	1	F12
52144-PWB1-900	2	F16	53410-PWB1-900	2	F06		60113-PWB1-900	1	F05
52400-PWB1-900	6	F16	53450-PWB1-900	4	F06		60113-PWB1-900	1	F12
53000			53450-PWB1-900	10	F06	60130-PWB1-910	1	F05	
			53500-PWB1-900	5	F06	60140-PWB1-E01	1	F05	
			53500-PWB1-900	10	F06	60150-LFA5-E01	1	F05	
			53550-PWB1-900	4	F06	60200-LFA5-E00	1	F05	
53100-LFA5-E00	6	F03	53550-PWB1-900	10	F06	64000			
53102-LFA5-E00	3	F03	53600-KKAK-325	0	F20				
53104-PWB1-900	2	F03	53700-PWB1-900	6	F06				
53105-PWB1-900	2	F03	53702-PWB1-900	4	F06		64300-PWB1-910	1	F05
53131-PWB1-900	1	F03	53703-PWB1-900	4	F06	64301-LFA5-E00	2	F05	
53166-PWB1-900	3	F03	54000			64302-LFA5-E01	1	F05	
53175-LFA5-E00	0	F04							
53178-PWA1-900	0	F04							
53190-LDE9-E00	0	F04							
53192-LDE9-E00	0	F04	54100-LFA5-E00	1	F21	77000			
53193-LDE9-E00	0	F04	54400-PWB1-E00	2	F16		77200-LFA5-E00	2	F09
53194-LDE9-E00	0	F04	54450-LFA5-E00	1	F16		77205-PWB1-900	1	F09
53200-LFA5-E00	8	F06	54500-PWB1-E00	2	F16		77206-LBA7-900	1	F09
53205-LFA5-E00	3	F03	54550-LFA5-E00	1	F16		77330-LFA5-E00	3	F21

PART NO. INDEX

PART NO.	VERSION	PAGE	PART NO.	VERSION	PAGE	PART NO.	VERSION	PAGE
77345-LFA5-E00	3	F21				87514-LFA5-E02	0	F25
77352-LFA5-E00	4	F21	83000			87514-LFA5-E02	1	F25
77430-LFA5-E00	1	F21				87515-LDB5-E01	2	F25
77437-LFA5-E00	3	F21	83500-LFA5-E01	1	F12	87517-LDB5-E00	2	F25
			83600-LFA5-E01	1	F12	87532-LBE8-900	2	F26
80000			83620-LFA5-E00	0	F21	87532-LCA5-900	1	F26
						87556-LFA5-E00	1	F25
80100-LFA5-E00	2	F12	85000			87556-LFA5-E01	1	F25
80102-LFA5-E00	1	F12				87579-LFA5-E00	1	F26
80103-LFA5-E00	1	F12	85100-LFA5-E00	4	F21			
80110-LBA7-900	1	F21	85200-LFA5-600	2	F21	88000		
80121-LFA5-E01	1	F12						
80122-LFA5-E01	1	F12	86000			88110-LBA7-E00	1	F03
80125-LFA5-E01	1	F12				88120-LBA7-E00	1	F03
80130-PWB1-E00	2	F12	86102-LDB5-900	1	F26			
			86102-LDB5-900	3	F26	89000		
81000			86182-LFA5-M30	1	F25			
			86223-LFA5-E61	1	F26	89010-PWB1-900	3	F09
81202-LDB5-E00	1	F21	86233-LFA5-E61	1	F26	89020-KKC4-900	1	F09
81702-LEE8-E00	0	F21	86302-LFA5-E00	2	F15			
81704-PWB1-900	0	F21	86303-LFA5-M30	1	F26	90000		
81706-PWB1-900	0	F21						
8170A-LEE8-E00	1	F21	87000			90012-3C33-001	0	E03
8171A-LEE8-E00	0	F21				90031-PWB1-900	5	E03
			87322-LBA7-E00	3	F25	90032-PWB1-900	5	E03
			87505-LDB5-E01	1	F25	90036-PWB1-900	4	E01

PART NO. INDEX

PART NO.	VERSION	PAGE	PART NO.	VERSION	PAGE	PART NO.	VERSION	PAGE
90071-MLB0-001	0	E07	90301-PWB1-900	1	F07	90474-1G47-001	0	E07
90081-PWB1-900	1	E01	90301-PWB1-900	1	F08	90474-3C33-001	1	E02
90084-KKE5-E00	3	E03	90302-LLB1-E00	2	F13	90474-3C33-001	1	E05
90084-PWB1-900	3	E05	90302-PWA1-900	2	F01	90474-7D04-000	0	E08
90106-PWB1-900	1	F07	90302-SDA4-004	2	F12	90481-0E35-001	0	E04
90106-PWB1-900	1	F08	90304-GLW0-90A	1	F06	90501-3L10-001	0	F15
90110-PWB1-900	1	F05	90304-GLW0-90A	1	F16	90501-KNBN-901	0	E10
90110-PWB1-900	1	F12	90304-GLW0-90A	1	F21	90505-4E25-001	0	F13
90111-PWB1-900	3	F15	90304-PWB1-900	2	F06	90545-3L00-001	2	F04
90112-KRDR-900	0	E01	90309-GLW0-90A	1	F13	90545-3L00-001	2	F15
90112-KRDR-900	0	F20	90322-PWB1-900	3	E08	90561-PWB1-900	3	E03
90113-KKA8-900	0	F04	90342-PWB1-900	3	E10	90562-PWB1-900	1	E05
90114-1F66-007	2	F04	90403-PWB1-900	1	F17	90605-0210	0	E06
90131-LDB5-E00	1	F07	90421-LBA2-E00	1	E04	90652-LCA4-E00	1	F03
90131-LDB5-E00	1	F08	90431-PWB1-900	2	E05	90652-LCA4-E00	1	F05
90131-LFA5-E00	0	F08	90435-HCB3-001	0	E08	90652-LCA4-E00	1	F12
90145-MKS9-61A	1	F04	90441-LBA2-E00	1	E10	90652-LDB5-900	2	F12
90164-0H28-900	2	F20	90446-PWB1-900	2	E08	90652-LDB5-900	2	F21
90185-PWB1-900	2	F03	90451-LBA7-900	1	E08	90652-PWB1-900	1	F05
90202-PWB1-900	2	E08	90452-LBA7-900	1	E08	90652-PWB1-900	1	F15
90203-PWB1-900	2	E10	90453-1G07-001	0	E08	90656-KCBC-900	0	F20
90204-PWB1-900	3	E10	90454-KED9-900	1	E08	90677-GAR1-004	1	F05
90205-LDB5-E00	3	E04	90455-LBA7-900	1	E08	90701-LDB5-E00	4	E04
90206-0A01-001	1	E03	90459-PWB1-900	3	E08	90912-KFLF-00A	0	E02
90301-6C93-001	1	F21	90461-PWB1-900	2	E03			
90301-6D34-671	1	F15	90461-PWB1-900	2	E05			

PART NO. INDEX

PART NO.	VERSION	PAGE	PART NO.	VERSION	PAGE	PART NO.	VERSION	PAGE
91000			92000			93500-PWB1-900	2	E02
91002-KGBG-90B	0	E01	92101-05012-0H	0	E05	93600-04012-1G	0	F04
91002-PWB1-90A	1	E01	92101-05012-0H	0	E07	93600-LDE9-E00	0	F04
91003-PWB1-900	0	E01	92101-06012-0HN	0	E03	93600-LEC1-E00	0	F08
91004-PWB1-90D	1	E02	92101-PWB1-900	1	F10	93600-PWB1-900	2	E01
91021-LDB5-E00	2	E06	92712-06028-0B	0	E03	93600-PWB1-900	2	E05
91021-PWB1-90B	1	E08	92900-06040-0E	2	E01	93892-04008-18	0	E11
91104-PWB1-90A	1	E07	92900-08046-0B	0	E03	93903-34360	0	F12
91201-PWB1-90C	2	E02				93903-34360	0	F19
91202-PWB1-900	1	E01	93000			93903-35260	0	F01
91206-PWB1-900	4	E04				93903-35260	0	F05
91209-PWB1-900	2	E05	93403-05012-08	0	E01	93903-35260	0	F18
91251-PWB1-900	2	E01	93403-PWB1-900	1	F14	93903-35260	0	F19
91256-PWB1-900	3	E10	93404-06012-06	0	F05	93903-35360	0	F02
91257-PWB1-900	2	E05	93404-06012-06	0	F12	93903-45360	0	F22
91302-PWB1-900	1	E04	93404-06016-06	0	F05	93903-GFY6-900	1	F11
91303-PWB1-900	1	E03	93404-06016-06	0	F22	93903-PWB1-900	1	F05
91304-PWB1-900	1	E06	93404-06020-06	1	F12	93903-PWB1-900	1	F12
91306-PWB1-900	1	E03	93406-08016-06	0	F12	94000		
91307-0E35-001	0	E05	93500-04008-1H-3	0	E11	94001-10080-0S	0	F15
91307-PWB1-900	1	F21	93500-04010-0G	0	F10	94001-LLB1-900	2	F15
91309-4E25-004	0	E07	93500-04014-1H-3	0	E11	94001-PWB1-800	0	F06
91313-KED9-900	3	E05	93500-06025-0HN	1	E07	94001-PWB1-900	4	E06
91508-KGV7-67A	0	F19	93500-PWB1-900	2	E01	94001-PWB1-900	4	F06

PART NO. INDEX

PART NO.	VERSION	PAGE	PART NO.	VERSION	PAGE	PART NO.	VERSION	PAGE
94002-PWB1-900	3	E06	94103-06800	0	F12	94520-32180	0	E02
94005-PWB1-900	2	E09	94103-08800	0	F15	94520-55000	0	F06
94005-PWB1-900	2	F17	94201-20120	0	F15	94520-55000	0	F16
94006-PWB1-900	2	F17	94201-25200	0	F06	94540-06012	0	F15
94011-PWB1-900	1	F07	94201-30400	0	F07	94591-27000	0	F12
94011-PWB1-900	1	F08	94201-30400	0	F08	94601-PWB1-900	1	E04
94050-05060	0	F19	94301-08060	0	F08	94611-PWB1-900	1	E08
94050-06060	0	F04	94301-08100	1	E01	94621-PWB1-900	1	E10
94050-06060	0	F15	94301-08140	0	E03			
94050-06060	0	F22	94301-12200	1	E01	95000		
94050-06080	0	E03	94301-12200	1	E02			
94050-06080	0	E04	94301-12200	1	E05	95002-02070	0	E03
94050-06080	0	E08	94301-13220	0	E04	95002-02070	0	F23
94050-06080	0	F20	94302-06025	0	E06	95002-02090	0	E09
94050-08060	0	F21	94302-KKE5-E00	0	E01	95002-02100	0	F17
94050-08080	0	E04	94303-04065	0	E04	95002-40950-08	0	E09
94050-10080	0	E04	94303-04160	0	E07	95002-40950-08	0	F10
94050-LDE9-E00	1	F05	94305-03161	0	E06	95002-40950-08	0	F17
94050-LDE9-E00	1	F12	94401-16150	0	E04	95002-41250-00	0	F13
94050-PWA2-900	1	F10	94402-PWB1-900	1	E06	95002-KED9-M30	1	F13
94052-PWB1-900	5	E06	94510-10000	0	E07	95002-KKD6-E05	0	E01
94101-06700	0	F14	94510-12000	0	E08	95002-KKD6-E05	0	F23
94101-08600	0	F03	94510-25000	0	E08	95005-PWB1-900	1	E09
94101-PWB1-900	1	F06	94510-35150	0	E06	95005-PWB1-900	1	F17
94102-08000	5	F15	94510-PWB1-900	0	F06	95007-LFA5-900	2	F17
94102-PWB1-900	1	F15	94520-12100	0	E05	95008-PWB1-900	5	E09

PART NO. INDEX

PART NO.	VERSION	PAGE	PART NO.	VERSION	PAGE	PART NO.	VERSION	PAGE
95111-PWB1-900	1	E10	95701-08050-08	0	E01	96000		
95111-PWB1-900	1	F22	95701-08060-08	0	E01			
95112-PWB1-900	1	F22	95701-08085-08	0	E01			
95601-PWB1-900	2	E08	95701-08140-08	2	E05	96001-06008-07	0	F14
95701-06012-06	1	F04	95701-10020-06	0	F06	96001-06016-08	0	E05
95701-06012-06	1	F20	95701-LEC1-E00	0	F08	96001-06018-08	0	E01
95701-06015-08	0	E09	95701-PWB1-900	3	E04	96001-06018-08	0	E05
95701-06016-06	1	F20	95801-08025-06	0	F21	96001-06020-06	0	E03
95701-06022-06	1	F15	95801-08030-06	0	F21	96001-06020-08	0	E03
95701-06025-06	2	E08	95801-08042-06	0	F21	96001-06020-08	0	F15
95701-06025-08	0	E04	95801-08050-06	1	F21	96001-06022-06	1	F04
95701-06035-08	0	E03	95801-08055-08	0	F03	96001-06025-08	0	E01
95701-06040-06	0	F04	95801-10030-06	0	F06	96001-06025-08	0	E03
95701-06050-08	0	E03	95801-10040-08	0	F06	96001-06028-08N	0	E07
95701-08012-06	0	F15	95801-10040-08	0	F16	96001-06030-08	0	E03
95701-08012-06	0	F21	95801-10065-08	0	F16	96001-06032-08N	0	E07
95701-08012-08	0	E02	95801-10085-06	1	F06	96001-06035-08	0	E02
95701-08012-08	0	E05	95801-10085-06	1	F16	96001-06035-08	0	E03
95701-08016-06	0	F21	95801-10095-06	0	F16	96001-06040-08	0	E02
95701-08016-08	0	F15	95801-10110-06	0	F21	96001-06040-08	0	E03
95701-08020-06	1	E10	95801-10185-06	0	F21	96001-06040-08	0	E05
95701-08020-06	1	F06	95801-PWB1-900	1	F06	96001-06045-08	0	E01
95701-08020-06	1	F14	95802-PWB1-900	2	F06	96001-06045-08	0	E05
95701-08020-06	1	F22	95802-PWB1-900	2	F16	96001-06050-08	0	E05
95701-08040-08	0	E09				96001-06055-08	0	E03
95701-08040-08	0	F17				96001-06070-08	0	E01

PART NO. INDEX

PART NO.	VERSION	PAGE	PART NO.	VERSION	PAGE	PART NO.	VERSION	PAGE
96001-06080-08	0	E02				N425-AZG00	0	E11
96001-06110-08	0	E03	98000			N426-01A40	0	E11
96001-08016-08	0	F14				N446-02C00	0	E11
96001-08050-08	0	F13	98059-58916-00	2	E03			
96100-60080-00	0	E09	98200-33000	0	F20	W		
96100-60080-00	0	F17	98200-41000	0	F20			
96100-62040-00	0	E01	98200-41500	0	F20	W9353-36000	0	E11
96100-62050-00	2	E01				W9451-03212	0	E11
96100-62070-00	0	E01	99000			W9525-25250	0	E11
96100-63040-00	1	E01						
96100-63040-00	1	E05	99101-393-0750	0	E11	Z		
96100-63050-00	0	E09	99101-393-1200	0	E11			
96100-63050-00	0	F17				Z050-588-0001	0	E11
96110-PWB1-900	1	E10	E					
96120-PWB1-900	1	E01						
96130-PWB1-900	1	E10	E040-3106	0	E04			
96140-PWB1-900	1	E10						
96150-PWB1-900	1	E05	K					
96151-PWB1-900	2	F06						
96151-PWB1-900	2	F16	K362-186-0100	0	E11			
96220-40080	0	E08						
96220-60100	0	E05	N					
96600-LDB5-E00	1	E07						
			N114-04103	0	E11			
			N413-03C00	0	E11			
			N424-25B38	0	E11			