

PARTS CATALOGUE



ATV

LAA0CF(FR)

MXU 500(4*4 / IRS)



Date : 2009/10/16

ABOUT THIS PARTS LIST

- This parts list is compiled all service parts for model LAA0CF(FR).
- Any difference between color chart and motorcycle will be revised according to motorcycle.
- The sales mark:
 1. marking "***" must add color code in the end before ordering parts.
- When modification or additions to this parts list are made a revised edition at an appropriate time.

CONTENTS

| | |
|-----------------------------------|-----|
| ● ABOUT THIS PARTS LIST | 1 |
| ● COLOR CHART OF LAA0CF(FR) | 3 |
| ● CONTENTS-ENGINE GROUP | 9 |
| ● CONTENTS-FRAME GROUP | 10 |
| ● ENGINE PARTS LIST | 14 |
| ● FRAME PARTS LIST | 62 |
| ● PART NO. INDEX | 154 |

| NO | MODEL | | | LAA0CF(FR) COLOR CHART | | | |
|------------------------|---------------------|----------------|---------|------------------------|---------|------------|---------|
| | PHOTO NO | | | NO. 1 | NO. 2 | NO. 3 | NO. 4 |
| | BASIC COLOR | | | Deep Blue | Red | Deep Green | White |
| | CODE | | | Deep Blue | Red | Deep Green | White |
| | PARTS NAME | PARTS NO. | VERSION | PB246SA | RR338SA | GG345SA | NH195SA |
| 1 | COVER TANK | 17700-LDB5-E00 | 2 | CHR | E4R | GWR | HGR |
| 2 | COVER HANDLE | 53205-LDB5-E00 | 3 | | | | |
| 3 | FENDER FRONT | 60100-LDB5-E00 | 5 | | | | |
| 4 | LID ASSY TOOL BOX | 6010C-LDB5-E00 | 3 | | | | |
| 5 | FENDER REAR | 80100-LDB5-E00 | 5 | | | | |
| 6 | RIM COMP RR WHEEL | 42705-LFE9-E00 | 2 | MAS | | | |
| 7 | RIM COMP FR WHEEL | 44705-LFE9-E00 | 1 | | | | |
| 8 | REAR CARRIER | 77330-LDB5-E00 | 4 | | | | |
| 9 | FRONT CARRIER | 77430-LDB5-E60 | 1 | | | | |
| 10 | PIPE COMP FR BUMPER | 85100-LFE9-E00 | 1 | | | | |
| 11 | CUSHION ASSY FR | 51400-LFE9-E00 | 2 | MBS | | MAS | |
| 12 | CUSHION ASSY RR | 52400-LFE9-E00 | 3 | | | | |
| 13 | A-ARM ASSY FR UPPER | 53400-LFE9-E00 | 1 | | | | |
| 14 | A-ARM ASSY FR LOWER | 53450-LFE9-E00 | 1 | | | | |
| 15 | A-ARM ASSY FR UPPER | 53500-LFE9-E00 | 1 | | | | |
| 16 | A-ARM ASSY FR LOWER | 53550-LFE9-E00 | 1 | | | | |
| 17 | CONTROL ARM ASSY | 54400-LFE9-E00 | 0 | | | | |
| 18 | CONTROL ARM ASSY | 54450-LFE9-E00 | 2 | | | | |
| 19 | CONTROL ARM ASSY | 54500-LFE9-E00 | 0 | | | | |
| 20 | CONTROL ARM ASSY | 54550-LFE9-E00 | 2 | | | | |
| 21 | "COVER, WIRE STAY" | 16059-LDB5-E00 | 3 | N1R | | | |
| 22 | GUARD FUEL TANK | 17550-LDB5-E00 | 1 | | | | |
| 23 | PLATE HEAT | 17560-LDB5-600 | 1 | | | | |
| 24 | GUIDE COVER CHANGE | 60120-LDB5-E00 | 3 | | | | |
| 25 | PROTECTOR R | 60130-LFE9-E00 | 0 | | | | |
| DATE OF STARTING-SALES | | | | | | | |
| DATE OF END-SALES | | | | | | | |

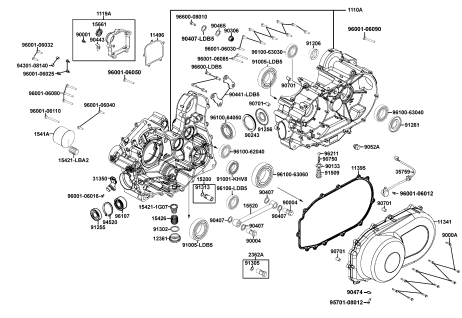
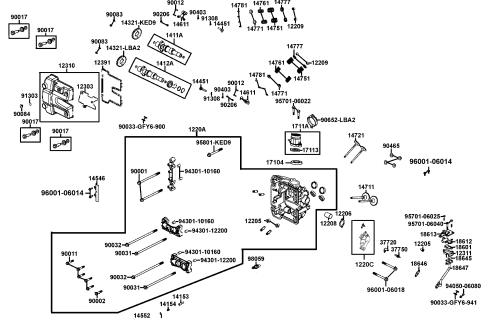
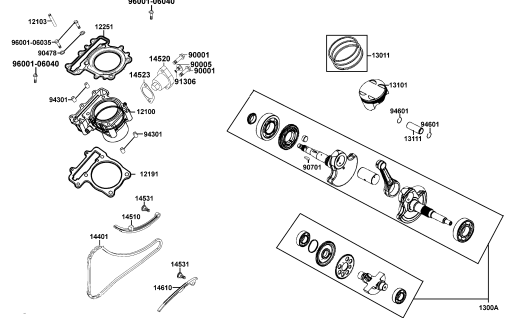
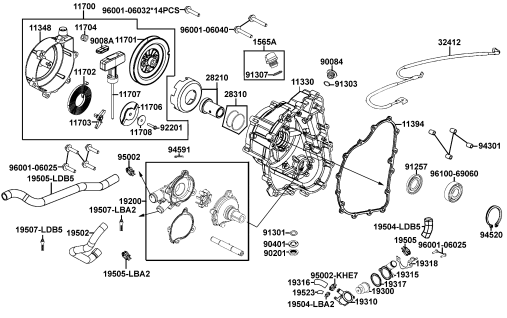
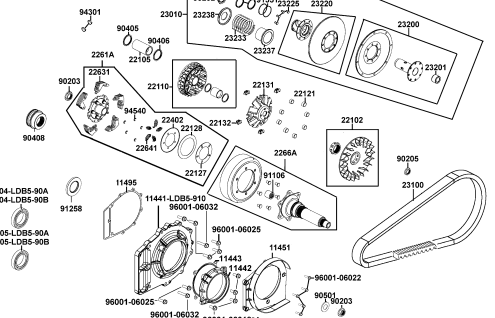
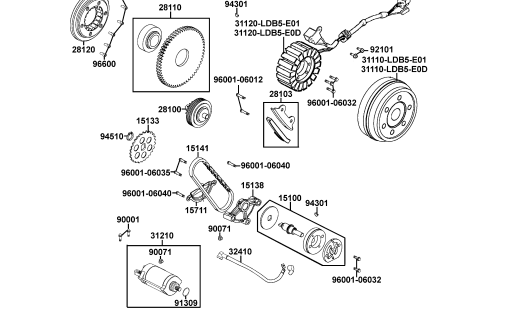
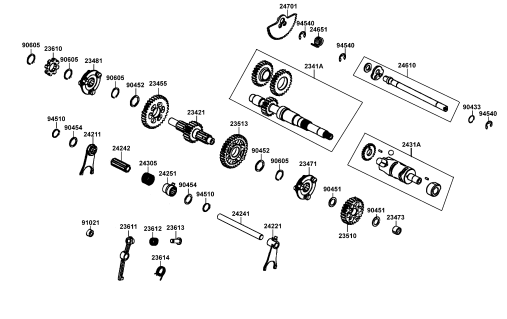
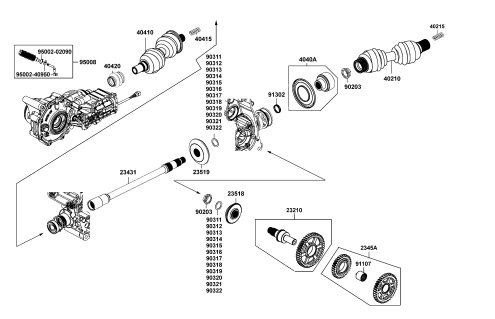
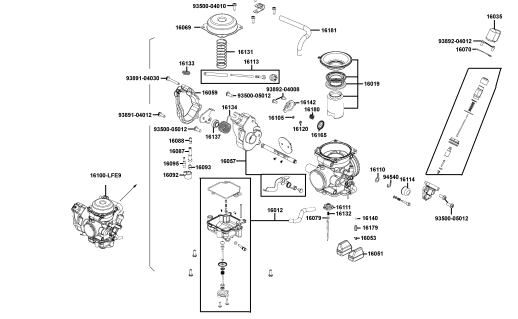
| NO | MODEL | | | LAA0CF(FR) COLOR CHART | | | |
|------------------------|---------------------|----------------|---------|------------------------|---------|--------------|--|
| | PHOTO NO | | | NO. 5 | NO. 6 | NO. 7 | |
| | BASIC COLOR | | | Grayish | Black | Yellow Ochre | |
| | CODE | | | Grayish | Black | Yellow Ochre | |
| | PARTS NAME | PARTS NO. | VERSION | NH251SA | NH001SA | YR160SA | |
| 1 | COVER TANK | 17700-LDB5-E00 | 2 | HYR | N1R | YSR | |
| 2 | COVER HANDLE | 53205-LDB5-E00 | 3 | | | | |
| 3 | FENDER FRONT | 60100-LDB5-E00 | 5 | | | | |
| 4 | LID ASSY TOOL BOX | 6010C-LDB5-E00 | 3 | | | | |
| 5 | FENDER REAR | 80100-LDB5-E00 | 5 | | | | |
| 6 | RIM COMP RR WHEEL | 42705-LFE9-E00 | 2 | MAS | | | |
| 7 | RIM COMP FR WHEEL | 44705-LFE9-E00 | 1 | | | | |
| 8 | REAR CARRIER | 77330-LDB5-E00 | 4 | | | | |
| 9 | FRONT CARRIER | 77430-LDB5-E60 | 1 | | | | |
| 10 | PIPE COMP FR BUMPER | 85100-LFE9-E00 | 1 | | | | |
| 11 | CUSHION ASSY FR | 51400-LFE9-E00 | 2 | | | | |
| 12 | CUSHION ASSY RR | 52400-LFE9-E00 | 3 | | | | |
| 13 | A-ARM ASSY FR UPPER | 53400-LFE9-E00 | 1 | | | | |
| 14 | A-ARM ASSY FR LOWER | 53450-LFE9-E00 | 1 | | | | |
| 15 | A-ARM ASSY FR UPPER | 53500-LFE9-E00 | 1 | | | | |
| 16 | A-ARM ASSY FR LOWER | 53550-LFE9-E00 | 1 | | | | |
| 17 | CONTROL ARM ASSY | 54400-LFE9-E00 | 0 | | | | |
| 18 | CONTROL ARM ASSY | 54450-LFE9-E00 | 2 | | | | |
| 19 | CONTROL ARM ASSY | 54500-LFE9-E00 | 0 | | | | |
| 20 | CONTROL ARM ASSY | 54550-LFE9-E00 | 2 | | | | |
| 21 | "COVER, WIRE STAY" | 16059-LDB5-E00 | 3 | N1R | | | |
| 22 | GUARD FUEL TANK | 17550-LDB5-E00 | 1 | | | | |
| 23 | PLATE HEAT | 17560-LDB5-600 | 1 | | | | |
| 24 | GUIDE COVER CHANGE | 60120-LDB5-E00 | 3 | | | | |
| 25 | PROTECTOR R | 60130-LFE9-E00 | 0 | | | | |
| DATE OF STARTING-SALES | | | | | | | |
| DATE OF END-SALES | | | | | | | |

| NO | MODEL | | | LAA0CF(FR) COLOR CHART | | | | | | | |
|------------------------|----------------------|----------------|---------|------------------------|---------|------------|---------|-----|--|--|--|
| | PHOTO NO | | | NO. 1 | NO. 2 | NO. 3 | NO. 4 | | | | |
| | BASIC COLOR | | | Deep Blue | Red | Deep Green | White | | | | |
| | CODE | | | Deep Blue | Red | Deep Green | White | | | | |
| | PARTS NAME | PARTS NO. | VERSION | PB246SA | RR338SA | GG345SA | NH195SA | | | | |
| 26 | PROTECTOR L | 60140-LFE9-E00 | 0 | N1R | | | | | | | |
| 27 | MUDGUARD FRONT | 60200-LDB5-E00 | 2 | | | | | | | | |
| 28 | MUDGUARD R FR SIDE | 61200-LDB5-E00 | 3 | | | | | | | | |
| 29 | MUDGUARD L FR SIDE | 61300-LDB5-E00 | 3 | | | | | | | | |
| 30 | PLATE SKID | 64300-LFE9-E00 | 3 | | | | | | | | |
| 31 | BUMPER FRONT | 64302-LDB5-E00 | 3 | | | | | | | | |
| 32 | COVER ASSY FRONT | 6430A-LDB5-E00 | 1 | | | | | | | | |
| 33 | GUARD R BOOT | 64330-LFE9-E00 | 0 | | | | | | | | |
| 34 | GUARD L BOOT | 64340-LFE9-E00 | 0 | | | | | | | | |
| 35 | COVER ASSY CARRIER | 7734A-LDB5-E61 | 1 | | | | | | | | |
| 36 | MUDGUARD R FLOOR | 80121-LDB5-E00 | 5 | | | | | | | | |
| 37 | MUDGUARD L FLOOR | 80122-LDB5-E00 | 5 | | | | | | | | |
| 38 | MUDGUARD REAR | 80200-LDB5-E00 | 2 | | | | | | | | |
| 39 | MUDGUARD R RR SIDE | 81200-LDB5-E00 | 2 | | | | | | | | |
| 40 | MUDGUARD L RR SIDE | 81300-LDB5-E00 | 2 | | | | | | | | |
| 41 | COVER FUEL COCK | 16951-LDB5-E00 | 2 | | | | | N1R | | | |
| 42 | COVER COMP HEAD | 12310-LDB5-E00 | 1 | | | | | N8A | | | |
| 43 | COVER LEFT | 11341-LDB5-E00 | 5 | | | | | NEA | | | |
| 44 | COVER STARTING | 11348-LDB5-E00 | 2 | | | | | NEA | | | |
| 45 | CALIPER ASSY RR BRK | 43100-LFE9-E00 | 3 | | | | | NJA | | | |
| 46 | CALIPER ASSY RR BRK | 43200-LFE9-E00 | 3 | | | | | | | | |
| 47 | CALIPER ASSY FR BRK- | 45100-LFE9-E00 | 2 | | | | | | | | |
| 48 | CALIPER ASSY FR BRK- | 45200-LFE9-E00 | 2 | T01 | | | | | | | |
| 49 | SEAT ASSY | 77200-LFE9-E00 | 0 | | | | | | | | |
| 50 | EMB K-LOGO '28.5mm- | 86102-LDB5-900 | 3 | | | | | | | | |
| DATE OF STARTING-SALES | | | | | | | | | | | |
| DATE OF END-SALES | | | | | | | | | | | |

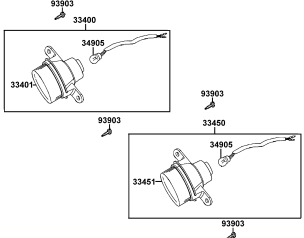
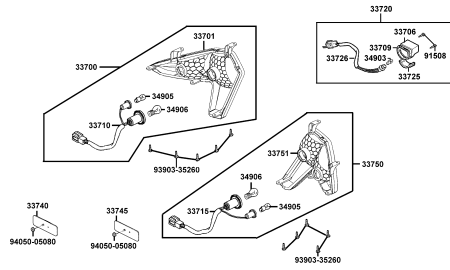
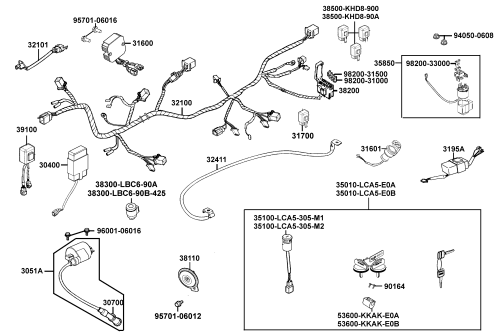
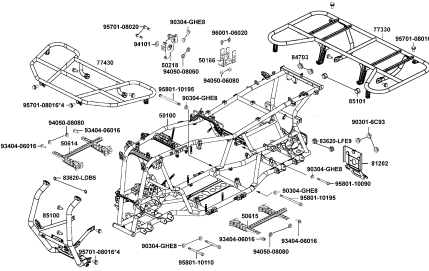
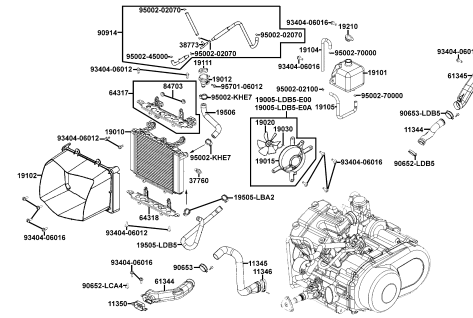
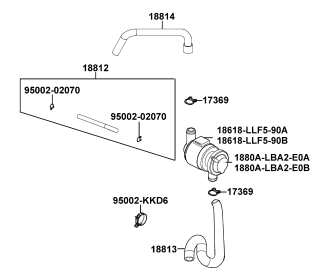
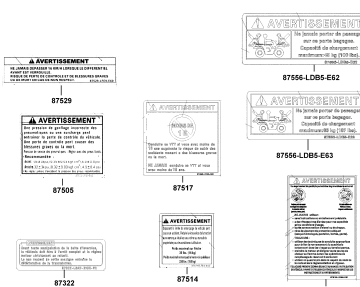
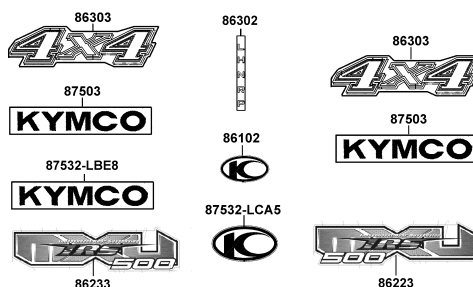
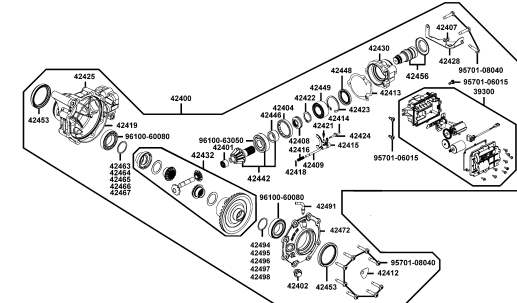
| NO | MODEL | | | LAA0CF(FR) COLOR CHART | | | | | | | |
|------------------------|----------------------|----------------|---------|------------------------|---------|--------------|--|-----|--|--|--|
| | PHOTO NO | | | NO. 5 | NO. 6 | NO. 7 | | | | | |
| | BASIC COLOR | | | Grayish | Black | Yellow Ochre | | | | | |
| | CODE | | | Grayish | Black | Yellow Ochre | | | | | |
| | PARTS NAME | PARTS NO. | VERSION | NH251SA | NH001SA | YR160SA | | | | | |
| 26 | PROTECTOR L | 60140-LFE9-E00 | 0 | | | | | | | | |
| 27 | MUDGUARD FRONT | 60200-LDB5-E00 | 2 | | | | | | | | |
| 28 | MUDGUARD R FR SIDE | 61200-LDB5-E00 | 3 | | | | | | | | |
| 29 | MUDGUARD L FR SIDE | 61300-LDB5-E00 | 3 | | | | | | | | |
| 30 | PLATE SKID | 64300-LFE9-E00 | 3 | | | | | | | | |
| 31 | BUMPER FRONT | 64302-LDB5-E00 | 3 | | | | | | | | |
| 32 | COVER ASSY FRONT | 6430A-LDB5-E00 | 1 | | | | | | | | |
| 33 | GUARD R BOOT | 64330-LFE9-E00 | 0 | | | | | | | | |
| 34 | GUARD L BOOT | 64340-LFE9-E00 | 0 | | | | | | | | |
| 35 | COVER ASSY CARRIER | 7734A-LDB5-E61 | 1 | | | | | | | | |
| 36 | MUDGUARD R FLOOR | 80121-LDB5-E00 | 5 | | | | | | | | |
| 37 | MUDGUARD L FLOOR | 80122-LDB5-E00 | 5 | | | | | | | | |
| 38 | MUDGUARD REAR | 80200-LDB5-E00 | 2 | | | | | | | | |
| 39 | MUDGUARD R RR SIDE | 81200-LDB5-E00 | 2 | | | | | | | | |
| 40 | MUDGUARD L RR SIDE | 81300-LDB5-E00 | 2 | | | | | | | | |
| 41 | COVER FUEL COCK | 16951-LDB5-E00 | 2 | | | | | | | | |
| 42 | COVER COMP HEAD | 12310-LDB5-E00 | 1 | | | | | N8A | | | |
| 43 | COVER LEFT | 11341-LDB5-E00 | 5 | | | | | NEA | | | |
| 44 | COVER STARTING | 11348-LDB5-E00 | 2 | | | | | NEA | | | |
| 45 | CALIPER ASSY RR BRK | 43100-LFE9-E00 | 3 | | | | | NJA | | | |
| 46 | CALIPER ASSY RR BRK | 43200-LFE9-E00 | 3 | | | | | | | | |
| 47 | CALIPER ASSY FR BRK- | 45100-LFE9-E00 | 2 | | | | | | | | |
| 48 | CALIPER ASSY FR BRK- | 45200-LFE9-E00 | 2 | | | | | | | | |
| 49 | SEAT ASSY | 77200-LFE9-E00 | 0 | T01 | | | | | | | |
| 50 | EMB K-LOGO '28.5mm- | 86102-LDB5-900 | 3 | | | | | | | | |
| DATE OF STARTING-SALES | | | | | | | | | | | |
| DATE OF END-SALES | | | | | | | | | | | |

| NO | MODEL | | | LAA0CF(FR) COLOR CHART | | | |
|------------------------|---------------------|----------------|---------|------------------------|---------|--------------|--|
| | PHOTO NO | | | NO. 5 | NO. 6 | NO. 7 | |
| | BASIC COLOR | | | Grayish | Black | Yellow Ochre | |
| | CODE | | | Grayish | Black | Yellow Ochre | |
| | PARTS NAME | PARTS NO. | VERSION | NH251SA | NH001SA | YR160SA | |
| 51 | EMB GEAR REVEAL | 86302-LDB5-E00 | 1 | T01 | | | |
| 52 | CAUTION SHIFT GEARS | 87322-LBA7-E61 | 1 | | | | |
| 53 | LABEL TIRE ON ROAD | 87505-LFE9-E63 | 1 | | | | |
| 54 | CAUTION MAXIMUM | 87514-LFE9-E63 | 2 | | | | |
| 55 | DRIVE WARNING LIST- | 87515-LDB5-E61 | 1 | | | | |
| 56 | WARNING DRIVE AGE- | 87517-LDB5-E60 | 2 | | | | |
| 57 | WARNING DECAL DIFF | 87529-LFE9-E60 | 1 | | | | |
| 58 | WARNING CARRIER | 87556-LDB5-E62 | 1 | | | | |
| 59 | WARNING CARRIER | 87556-LDB5-E63 | 1 | | | | |
| 60 | STRIPE 4*4 | 86303-LDB5-E00 | 2 | | | | |
| 61 | STRIPE R FUEL TANK | 86223-LFE9-E61 | 0 | T02 | | | |
| 62 | STRIPE L FUEL TANK | 86233-LFE9-E61 | 1 | | | | |
| 63 | STRIPE KYMCO 120MM | 87503-LDB5-900 | 2 | T02 | T03 | T02 | |
| 64 | STRIPE KYMCO | 87532-LBE8-900 | 2 | T03 | | | |
| 65 | STRIPE K-LOGO 60MM | 87532-LCA5-900 | 1 | | | | |
| | | | | | | | |
| | | | | | | | |
| | | | | | | | |
| | | | | | | | |
| | | | | | | | |
| | | | | | | | |
| | | | | | | | |
| | | | | | | | |
| | | | | | | | |
| | | | | | | | |
| | | | | | | | |
| | | | | | | | |
| | | | | | | | |
| | | | | | | | |
| DATE OF STARTING-SALES | | | | | | | |
| DATE OF END-SALES | | | | | | | |

CONTENTS - ENGINE GROUP

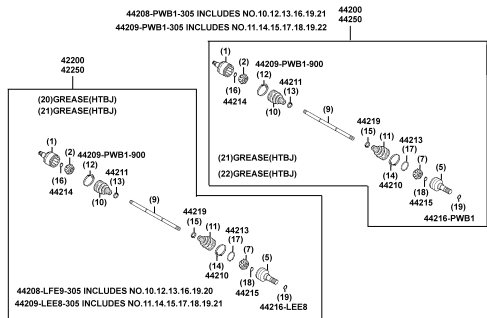
| | | |
|--|---|--|
| <p>E01 Crank Case</p>  | <p>E02 Cylinder Head Cover Cylinder</p>  | <p>E03 Cylinder Piston Crankshaft</p>  |
| <p>E04 Right Crankcase Cover Water</p>  | <p>E05 Drive Pulley</p>  | <p>E06 Starting Motor Generator</p>  |
| <p>E07 Clutch Assy Primary</p>  | <p>E08 Shaft Reduction</p>  | <p>E09 Carburetor</p>  |

CONTENTS - FRAME GROUP

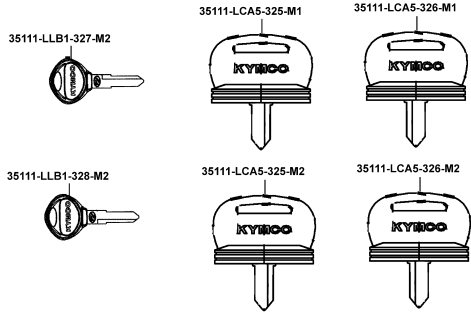
| | | |
|---|---|---|
| <p>F19 Winker</p>  | <p>F20 Light Tail</p>  | <p>F21 Harness Wire</p>  |
| <p>F22 Frame Body</p>  | <p>F23 Radiator</p>  | <p>F24 Aicv</p>  |
| <p>F25 Caution Label</p>  | <p>F26 EmblemStripe</p>  | <p>F27 Separated Parts Of Fr Final</p>  |

CONTENTS - FRAME GROUP

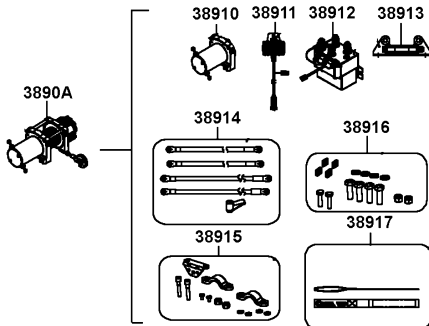
F28 Separated Parts Of CVJ



F29 Key Comp

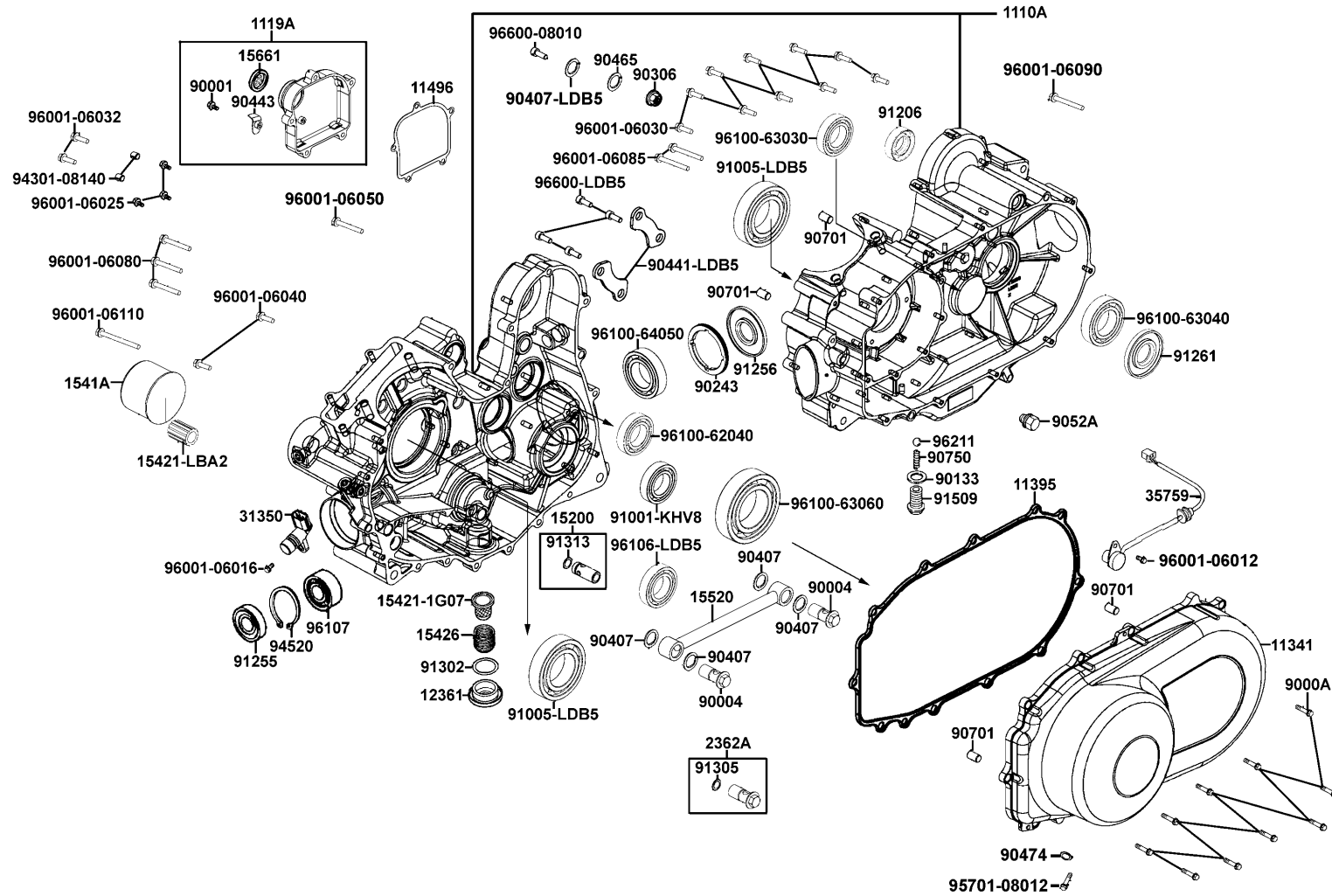


F30 Assy Winch



E01

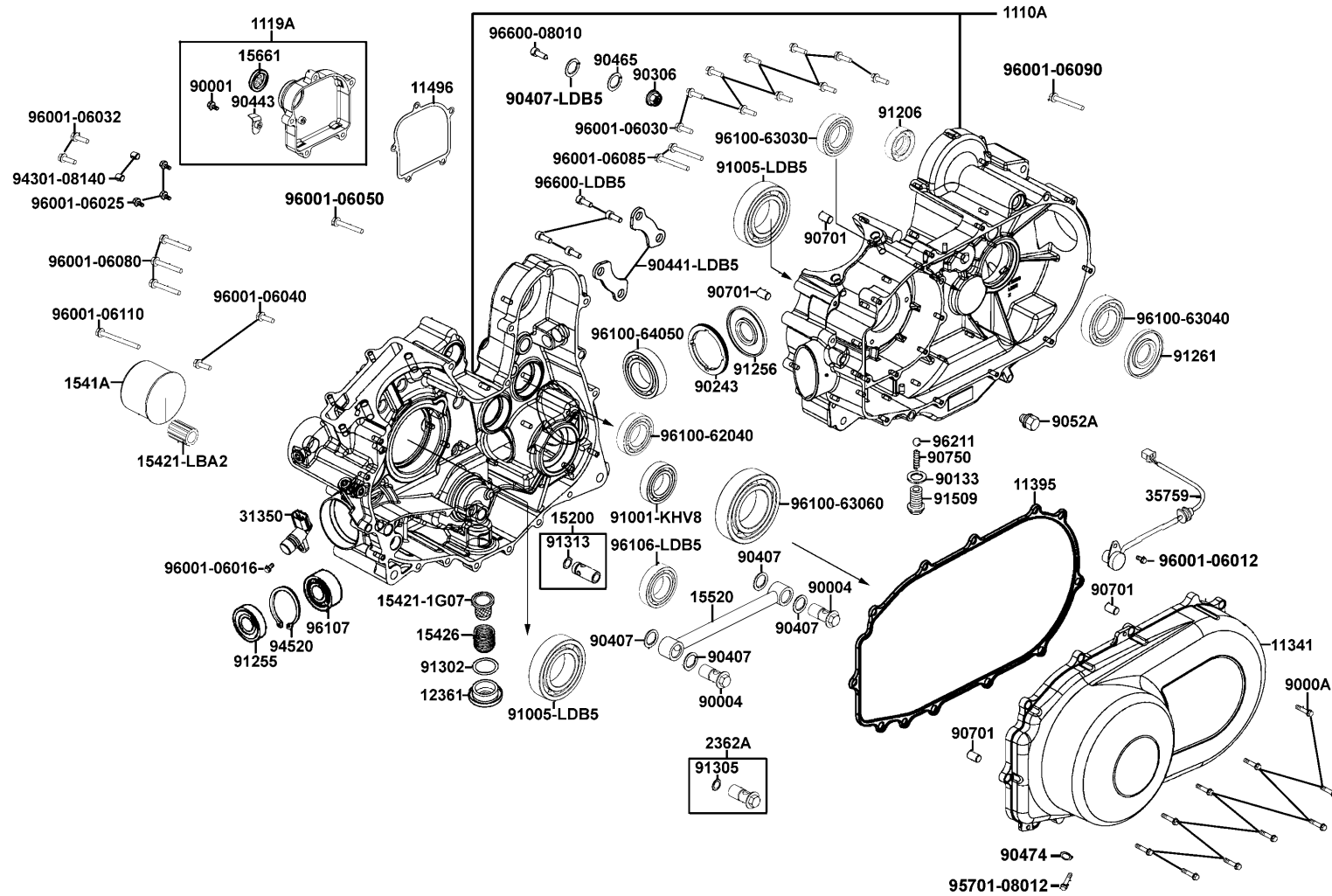
Crank Case



| Sales mark | Ref no | Part no | Description | Reg description | Regd no | E01 |
|------------|------------|----------------|---------------------------|---------------------------|---------|------------|
| | 1110A | 1110A-LDB5-E00 | CASE ASSY R/L | CRANK ASSY R/L | 1 | |
| | 1119A | 1119A-LDB5-E00 | CAP ASSY R CASE | CAP ASSY R CASE | 1 | |
| ** | 11341 | 11341-LDB5-E00 | COVER LEFT | COVER LEFT | 1 | |
| | 11395 | 11395-LDB5-E00 | GASKET L COVER | GASKET L COVER | 1 | |
| | 11496 | 11496-LDB5-E00 | GASKET R CASE CAP | GASKET R CASE CAP | 1 | |
| | 12361 | 12361-GFY6-901 | HOLE CAP TAPPET ADJUSTING | HOLE CAP TAPPET ADJUSTING | 1 | |
| | 15200 | 15200-KED9-900 | OIL RELIEF VALVE ASSY | OIL RELIEF VALVE ASSY | 1 | |
| | 1541A | 1541A-LBA2-E00 | ELEMENT COMP OIL FILTER | ELEMENT COMP OIL FILTER | 1 | |
| | 15421-1G07 | 15421-1G07-001 | SCREEN OIL FILTER | SCREEN OIL FILTER | 1 | |
| | 15421-LBA2 | 15421-LBA2-E00 | BOLT OIL FILTER | BOLT OIL FILTER | 1 | |
| | 15426 | 15426-GAE1-921 | SPG OIL FILTER SCREEN | SPG OIL FILTER SCREEN | 1 | |
| | 15520 | 15520-LDB5-E00 | PIPE COMP OIL | PIPE COMP OIL | 1 | |
| | 15661 | 15661-LBA7-900 | FINDER OIL LEVEL | FINDER OIL LEVEL | 1 | |
| | 2362A | 2362A-LDB5-E00 | BOLT ASSY PARK | BOLT ASSY PARK | 1 | |
| | 31350 | 31350-LDB5-E0A | SENSOR SPEED | SENSOR SPEED | 1 | |
| | 35759 | 35759-LDB5-E00 | SW ASSY GEAR CHANGE | SW ASSY GEAR CHANGE | 1 | |
| | 90001 | 90001-GFY6-901 | SOCKET BOLT 6*10 | SOCKET BOLT 6*10 | 1 | |
| | 90004 | 90004-LBA2-E00 | BOLT B OIL PASS | BOLT B OIL PASS | 2 | |
| | 9000A | 9000A-KTDT-900 | BOLT ASSY SPECIAL 6*29.5 | BOLT ASSY SPECIAL 6*29.5 | 10 | |
| | 90133 | 90133-LDB5-E00 | WASHER BOLT SEAT | WASHER BOLT SEAT | 1 | |

E01

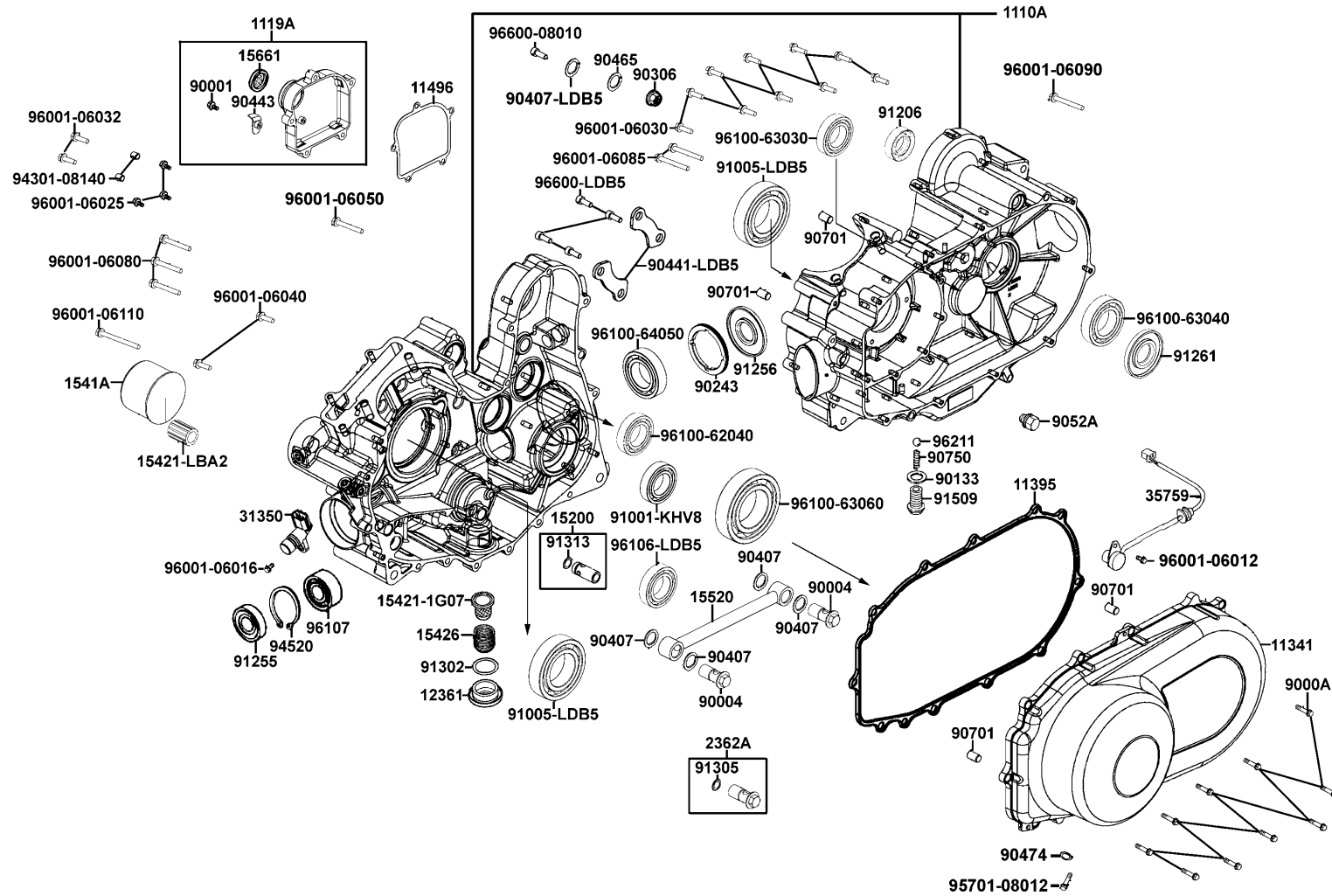
Crank Case



| Sales mark | Ref no | Part no | Description | Reg description | Regd no | E01 |
|------------|--------|-------------------|--------------------------|--------------------------|---------|-----|
| 90243 | | 90243-LDB5-E00 | NUT LOCK 85MM | NUT LOCK 85MM | 1 | |
| 90306 | | 90306-KLF0-004-SY | NUT FLANGE 12MM | NUT FLANGE 12MM | 1 | |
| 90407 | | 90407-LBA2-E00 | SEALING WASHER OIL PIPE | SEALING WASHER OIL PIPE | 4 | |
| 90407-LDB5 | | 90407-LDB5-E00 | WASHER THRUST 12*30*1 | WASHER THRUST 12*30*1 | 1 | |
| 90441-LDB5 | | 90441-LDB5-E00 | PLATE BRG HOLD | PLATE BRG HOLD | 2 | |
| 90443 | | 90443-LDB5-E00 | PLATE FINDER HOLD | PLATE FINDER HOLD | 1 | |
| 90465 | | 90465-MDC4-001 | WASHER 8MM | WASHER 8MM | 1 | |
| 90474-3C33 | | 90474-3C33-001 | WASHER 8MM | WASHER 8MM | 1 | |
| 9052A | | 9052A-LDB5-E00 | BOLT ASSY DRAIN PLUG | BOLT ASSY DRAIN PLUG | 1 | |
| 90701 | | 90701-9E65-001 | PIN DOWEL 10*16 | PIN DOWEL 10*16 | 4 | |
| 90750 | | 90750-LDB5-E00 | SPG STOPPER | SPG STOPPER | 1 | |
| 91001 | | 91001-KHV8-004 | BRG BALL RADIAL 6305 | BRG BALL RADIAL 6305 | 1 | |
| 91005 | | 91005-LDB5-E00 | BEARING BALL RADIAL 6205 | BEARING BALL RADIAL 6205 | 2 | |
| 91206 | | 91206-LDB5-E00 | OIL SEAL 14*24*7 | OIL SEAL 14*24*7 | 1 | |
| 91255 | | 91255-LDB5-E00 | OIL SEAL 35*67*7 | OIL SEAL 35*67*7 | 1 | |
| 91256 | | 91256-LDB5-E00 | OIL SEAL 35*90*7 | OIL SEAL 35*90*7 | 1 | |
| 91261 | | 91261-LDB5-E00 | OIL SEAL 30*72*8 | OIL SEAL 30*72*8 | 1 | |
| 91302 | | 91302-0A01-021 | O-RING 30.8M/M | O-RING 30.8MM | 1 | |
| 91305 | | 91305-GLE0-001 | O-RING 9*1.7 | O-RING 9*1.7 | 1 | |
| 91313 | | 91313-KED9-900 | O-RING 15.5*1.5 | O-RING 15.5*1.5 | 1 | |

E01

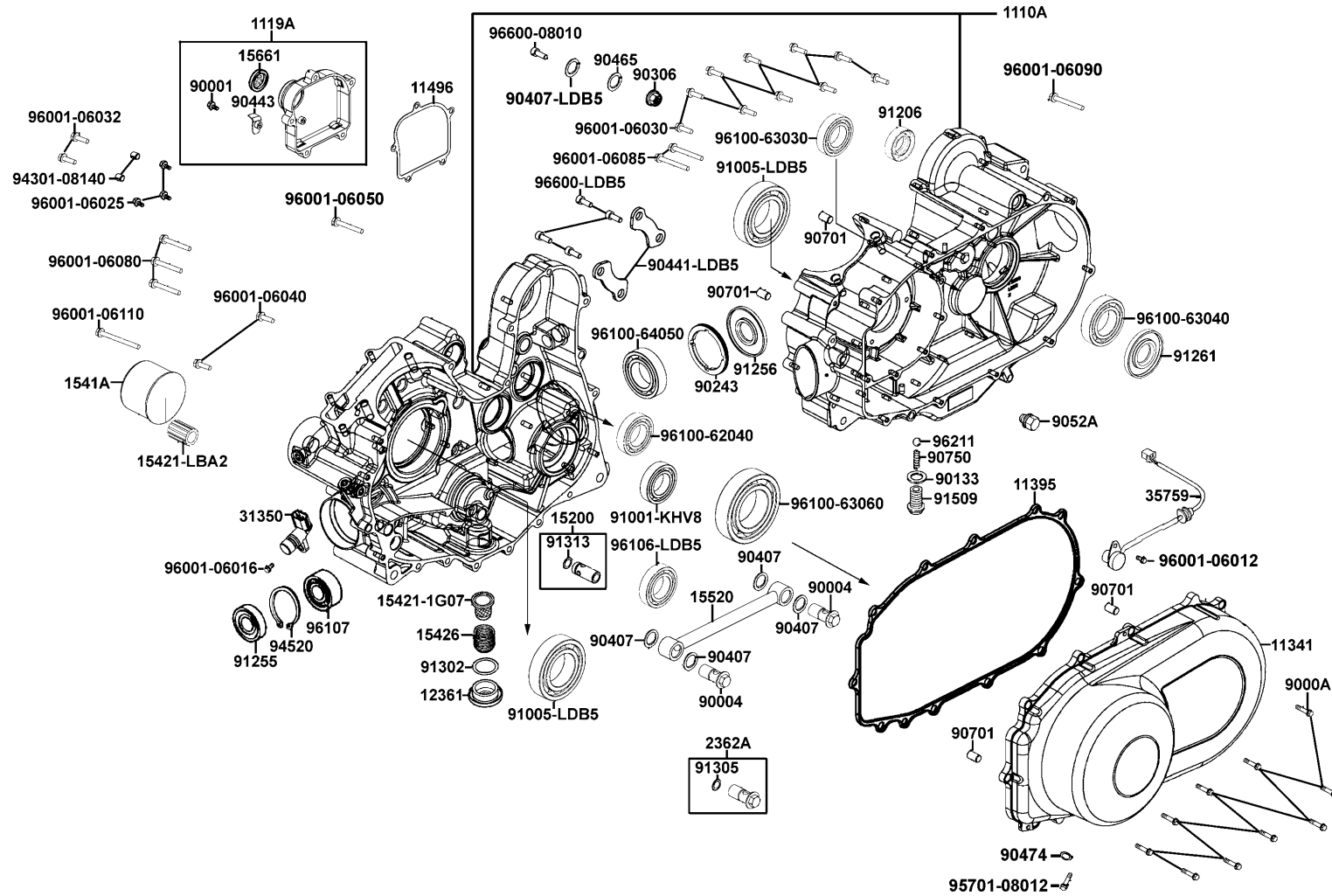
Crank Case



| Sales mark | Ref no | Part no | Description | Reg description | Regd no | E01 |
|-------------|--------|----------------|--------------------------|--------------------------|---------|-----|
| 91509 | | 91509-LDB5-E00 | BOLT STOPPER | BOLT STOPPER | 1 | |
| 94301 | | 94301-08140 | DOWEL PIN 8*14 | DOWEL PIN 8*14 | 2 | |
| 94520 | | 94520-65000 | CIR CLIP IN 65 | CIR CLIP IN 65 | 1 | |
| 95701-08012 | | 95701-08012-08 | BOLT FLANGE 8*12 | BOLT FLANGE 8*12 | 1 | |
| 96001-06012 | | 96001-06012-08 | BOLT FLANGE 6*12 | BOLT FLANGE SH 6*12 | 1 | |
| 96001-06016 | | 96001-06016-08 | BOLT FLANGE SH 6*16 | BOLT FLANGE SH 6*16 | 1 | |
| 96001-06025 | | 96001-06025-08 | BOLT FLANGE SH 6*25 | BOLT FLANGE SH 6*25 | 3 | |
| 96001-06030 | | 96001-06030-08 | BOLT FLANGE SH 6*30 | BOLT FLANGE SH 6*30 | 10 | |
| 96001-06032 | | 96001-06032-08 | BOLT FLANGE SH 6*32 | BOLT FLANGE SH 6*32 | 2 | |
| 96001-06040 | | 96001-06040-08 | BOLT FLANGE 6*40 | BOLT FLANGE SH 6*40 | 2 | |
| 96001-06050 | | 96001-06050-08 | BOLT FLANGE 6*50 | BOLT FLANGE 6*50 | 1 | |
| 96001-06080 | | 96001-06080-08 | BOLT FLANGE SH 6*80 | BOLT FLANGE SH 6*80 | 3 | |
| 96001-06085 | | 96001-06085-08 | BOLT FLANGE SH 6*85 | BOLT FLANGE SH 6*85 (C) | 2 | |
| 96001-06090 | | 96001-06090-08 | BOLT FLANGE SH 6*90 | BOLT FLANGE SH 6*90 | 1 | |
| 96001-06110 | | 96001-06110-08 | BOLT FLANGE SH 6*110 | BOLT FLANGE SH 6*110 | 1 | |
| 96100-62040 | | 96100-62040-00 | BRG BALL RADIAL 6204 | BRG BALL RADIAL 6204 | 1 | |
| 96100-63030 | | 96100-63030-00 | BEARING BALL RADIAL 6303 | BEARING BALL RADIAL 6303 | 1 | |
| 96100-63040 | | 96100-63040-00 | BRG BALL RADIAL 6304 | BRG BALL RADIAL 6304 | 1 | |
| 96100-63060 | | 96100-63060-00 | BRG BALL RADIAL 6306 | BRG BALL RADIAL 6306 | 1 | |
| 96100-64050 | | 96100-64050-00 | BRG BALL RADIAL 6405 | BRG BALL RADIAL 6405 | 1 | |

E01

Crank Case

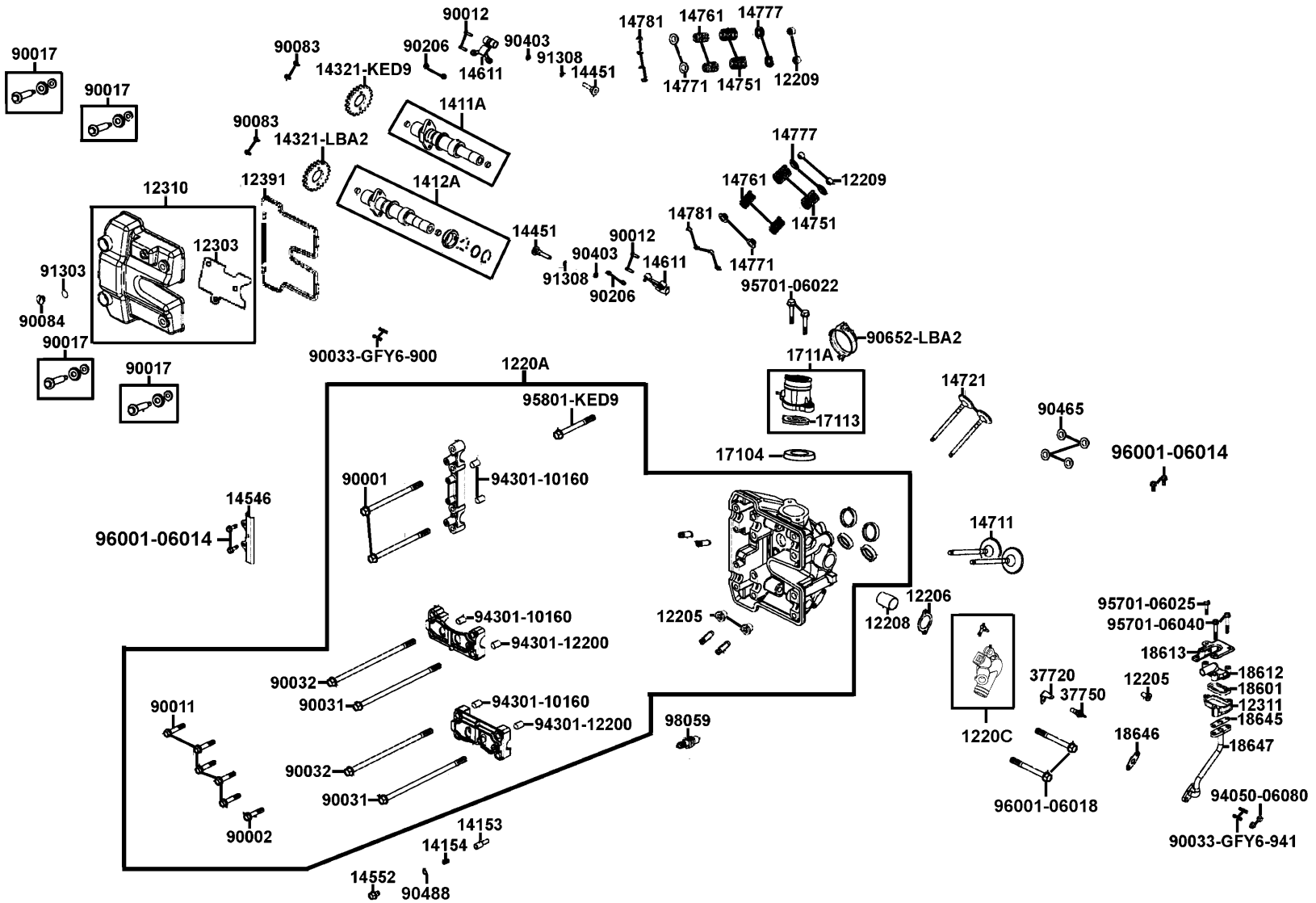


| Sales mark | Ref no | Part no | Description | Reg description | Regd no | E01 |
|------------|-------------|----------------|---------------------|---------------------|---------|------------|
| | 96106 | 96106-LDB5-E00 | BEARING BALL RADIAL | BEARING BALL RADIAL | 1 | |
| | 96107 | 96107-LDB5-E00 | BEARING BALL RADIAL | BEARING BALL RADIAL | 1 | |
| | 96211 | 96211-16000 | SAE 1015 | SAE 1015 | 1 | |
| | 96600-08010 | 96600-08010-10 | SOCKET BOLT 8*10 | SOCKET BOLT 8*10 | 1 | |
| | 96600-LDB5 | 96600-LDB5-E00 | SOCKET BOLT 8*20 | SOCKET BOLT 8*20 | 4 | |

| Sales mark | Ref no | Part no | Description | Reg description | Regd no | E02 |
|------------|------------|----------------|-----------------------|-----------------------|---------|-----|
| | 12205 | 12205-KHE8-301 | BOLT SEALING 12MM | BOLT SEALING 12MM | 3 | |
| | 12206 | 12206-LBA2-E00 | GASKET WATER COVER | GASKET WATER COVER | 1 | |
| | 12208 | 12208-LBA2-E00 | STOPPER HEAD WATER | STOPPER HEAD WATER | 1 | |
| | 12209 | 12209-GDB4-68A | SEAL VALVE STEM | SEAL VALVE STEM | 4 | |
| | 1220A | 1220A-LDG7-900 | HEAD ASSY CYLNDER | HEAD ASSY CYLNDER | 1 | |
| | 1220C | 1220C-LEE8-E00 | WATER COVER HEAD | WATER COVER HEAD | 1 | |
| | 12303 | 12303-LBA2-E00 | GASKET PLATE | GASKET PLATE | 1 | |
| ** | 12310 | 12310-LDB5-E00 | COVER COMP HEAD | COVER COMP HEAD | 1 | |
| | 12311 | 12311-KBE2-900 | BODY REED VALVE | BODY REED VALVE | 1 | |
| | 12391 | 12391-LBA2-E00 | SEAL HEAD COVER | SEAL HEAD COVER | 1 | |
| | 1411A | 1411A-LBA2-E00 | CAMSHAFT INLET COMP | CAMSHAFT INLET COMP | 1 | |
| | 1412A | 1412A-LDG7-E00 | CAMSHAFT EXH COMP | CAMSHAFT EXH COMP | 1 | |
| | 14153 | 14153-LBA2-E00 | STOPPER | STOPPER | 1 | |
| | 14154 | 14154-LBA2-E00 | SPRING STOPPER | SPRING STOPPER | 1 | |
| | 14321-KED9 | 14321-KED9-900 | SPROCKET CAMSHAFT | SPROCKET CAMSHAFT | 1 | |
| | 14321-LBA2 | 14321-LBA2-E00 | SPROCKET CAMSHAFT | SPROCKET CAMSHAFT | 1 | |
| | 14451 | 14451-LBA2-E00 | SHAFT ROCKER ARM | SHAFT ROCKER ARM | 2 | |
| | 14546 | 14546-LBA2-E00 | GUIDE UPPER TENSIONER | GUIDE UPPER TENSIONER | 1 | |
| | 14552 | 14552-KGBG-900 | STOPPER BOLT | PLUG ADJUSTER | 1 | |
| | 14611 | 14611-LBA2-E00 | ARM VALVE ROCKER | ARM VALVE ROCKER | 2 | |

E02

Cylinder Head Cover Cylinder Head

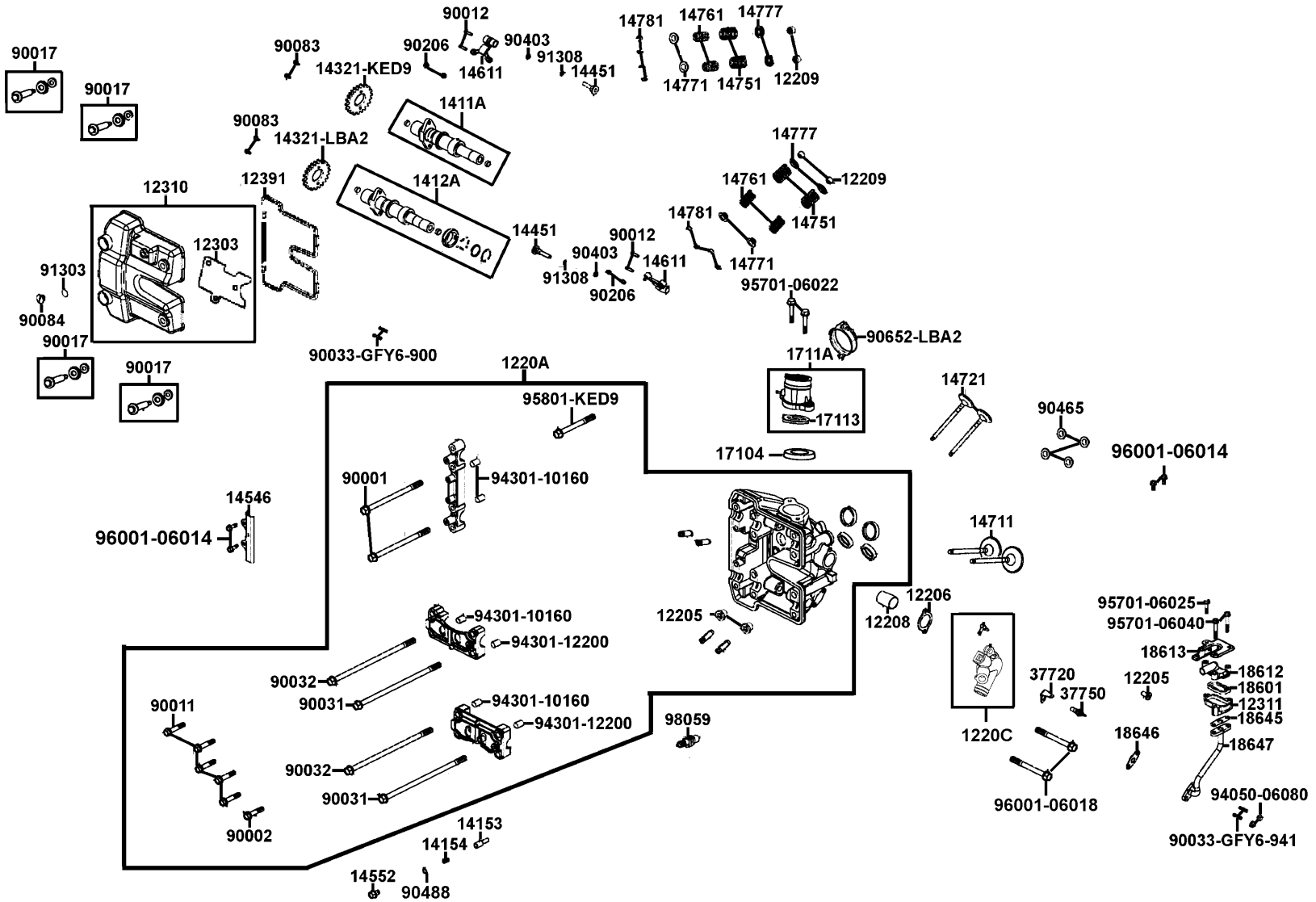


| Sales mark | Ref no | Part no | Description | Reg description | Regd no | E02 |
|------------|--------|----------------|-------------------------------|------------------------|---------|-----|
| | 14711 | 14711-LDG7-900 | VALVE INLET | VALVE INLET | 2 | |
| | 14721 | 14721-LBA2-E00 | VALVE EXHAUST | VALVE EXHAUST | 2 | |
| | 14751 | 14751-LBA2-E00 | SPG VALVE OUTER | SPG VALVE OUTER | 4 | |
| | 14761 | 14761-LDG7-900 | SPG VALVE INNER | SPG VALVE INNER | 4 | |
| | 14771 | 14771-KED9-900 | RETAINER VALVE SPRING | RETAINER VALVE SPRING | 4 | |
| | 14777 | 14777-LBA2-E00 | SEAT VALVE SPG | SEAT VALVE SPG | 4 | |
| | 14781 | 14781-MFA6-001 | COTTER VALVE | COTTER VALVE | 8 | |
| | 17104 | 17104-LFE9-E00 | SOCKET INLET PIPE | SOCKET INLET PIPE | 1 | |
| | 17113 | 17113-LBA2-E00 | O-RING INLET PIPE | O-RING INLET PIPE | 1 | |
| | 1711A | 1711A-LFE9-E00 | PIPE ASSY INLET | PIPE ASSY INLET | 1 | |
| | 18601 | 18601-KBE2-900 | REED VALVE COMP LDV 52*27*6.0 | REED VALVE COMP LDV 52 | 1 | |
| | 18612 | 18612-KFB5-900 | COVER REED VALVE | COVER REED VALVE | 1 | |
| | 18613 | 18613-LDB5-E00 | STAY REED VALVE ASSY | STAY REED VALVE ASSY | 1 | |
| | 18645 | 18645-LBA2-E00 | GASKET A/I PIPE | GASKET A/I PIPE | 1 | |
| | 18646 | 18646-GFY6-941 | GAKT A/I PIPE | GSKT A/I PIPE | 1 | |
| | 18647 | 18647-LBA2-E00 | PIPE COMP AIR | PIPE COMP AIR | 1 | |
| | 37720 | 37720-KGB5-900 | EARTH TERMINAL THERMO | EARTH TERMINAL THERMO | 1 | |
| | 37750 | 37750-PAC1-005 | THERMO UNIT ASSY | THERMO UNIT ASSY | 1 | |
| | 90001 | 90001-LBA2-E00 | BOLT UBS 8*137 | BOLT UBS 8*137 | 2 | |
| | 90002 | 90002-LBA2-E00 | BOLT UBS 8*201 | BOLT UBS 8*201 | 1 | |

| Sales mark | Ref no | Part no | Description | Reg description | Regd no | E02 |
|------------|----------------|----------------|------------------------|------------------------|---------|------------|
| | 90011 | 90011-KED9-900 | BOLT UBS 8*48 | BOLT UBS 8*48 | 5 | |
| | 90012 | 90012-3C33-001 | SCREW TAPPET ADJUSTING | SCREW TAPPET ADJUSTING | 4 | |
| | 90017 | 90017-KED9-900 | BOLT ASSY HEAD COVER | BOLT ASSY HEAD COVER | 4 | |
| | 90031 | 90031-LBA2-E00 | BOLT UBS 10*220 | BOLT UBS 10*220 | 2 | |
| | 90032 | 90032-LBA2-E00 | BOLT UBS 10*210 | BOLT UBS 10*210 | 2 | |
| | 90033-GFY6-900 | 90033-GFY6-900 | BOLT STUD 8*32 | BOLT STUD 8*32 | 2 | |
| # | 90033-GFY6-941 | 90033-GFY6-941 | BOLT STUD 6*16 | BOLT STUD 6*16 | 2 | |
| | 90083 | 90083-KED9-900 | BOLT KNOCK 6MM | BOLT KNOCK 6MM | 4 | |
| | 90206 | 90206-0A01-001 | NUT TAPPET ADJG | NUT TAPPET ADJUSTING | 4 | |
| | 90403 | 90403-KED9-900 | WASHER WAVE 10MM | WASHER WAVE 10MM | 2 | |
| | 90465 | 90465-LBA2-E00 | WASHER 10.2 MM | WASHER 10.2 MM | 4 | |
| | 90488 | 90488-7L00-001 | WASHER 8MM | 8M/M WASHER A | 1 | |
| | 90652-LBA2 | 90652-LBA2-E00 | C-HOPE 40-59 | C-HOPE 40-59 | 1 | |
| | 91303 | 91303-3G77-001 | O-RING 13.8*2.5 | O-RING 13.8*2.5 | 1 | |
| | 91308 | 91308-KED9-900 | O-RING 17.5*1.5 | O-RING 17.5*1.5 | 2 | |
| | 94050-06080 | 94050-06080 | NUT FLANGE 6MM | NUT FLANGE 6MM | 2 | |
| | 94301-10160 | 94301-10160 | DOWEL PIN 10*16 | DOWEL PIN 10*16 | 4 | |
| | 94301-12200 | 94301-12200 | DOWEL PIN 12*20 | DOWEL PIN 12*20 | 2 | |
| | 95701-06022 | 95701-06022-08 | BOLT FLANGE 6*22 | BOLT FLANGE 6*22 | 2 | |
| | 95701-06025 | 95701-06025-08 | BOLT FLANGE 6*25 | BOLT FLANGE 6*25 | 1 | |

E02

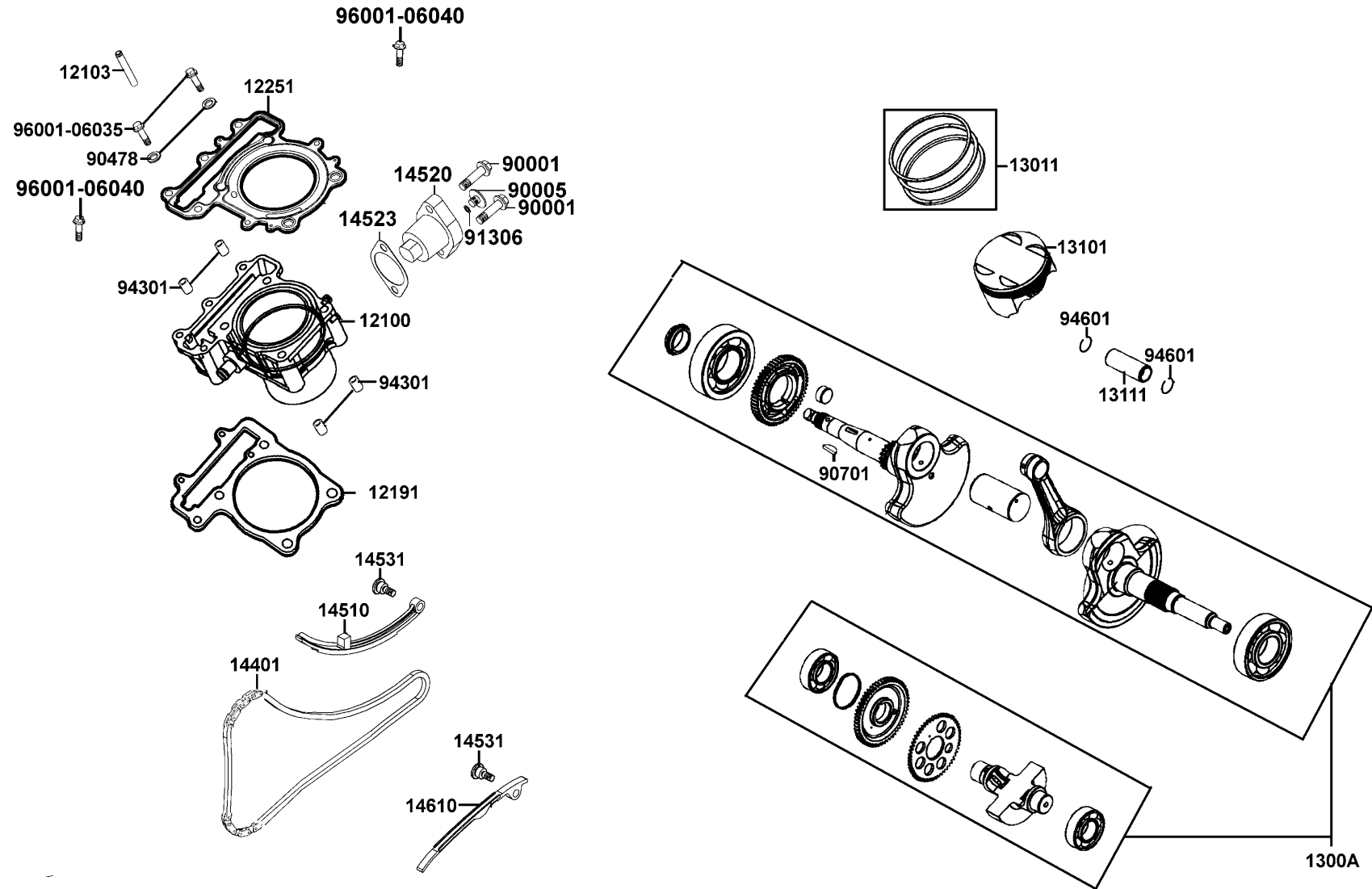
Cylinder Head Cover Cylinder Head



| Sales mark | Ref no | Part no | Description | Reg description | Regd no | E02 |
|------------|-------------|----------------|---------------------|---------------------|---------|------------|
| | 95701-06040 | 95701-06040-08 | BOLT FLANGE 6*40 | BOLT FLANGE 6*40 | 2 | |
| | 95801-KED9 | 95801-KED9-900 | BOLT UBS 8*71 | BOLT UBS 8*71 | 1 | |
| | 96001-06014 | 96001-06014-08 | BOLT FLANGE 6*14 | BOLT FLANGE SH 6*14 | 4 | |
| # | 96001-06018 | 96001-06018-08 | BOLT FLANGE SH 6*18 | BOLT FLANGE SH 6*18 | 2 | |
| | 98059 | 98059-57916-00 | SPARK PLUG CR7E | SPARK PLUG CR7E | 1 | |

E03

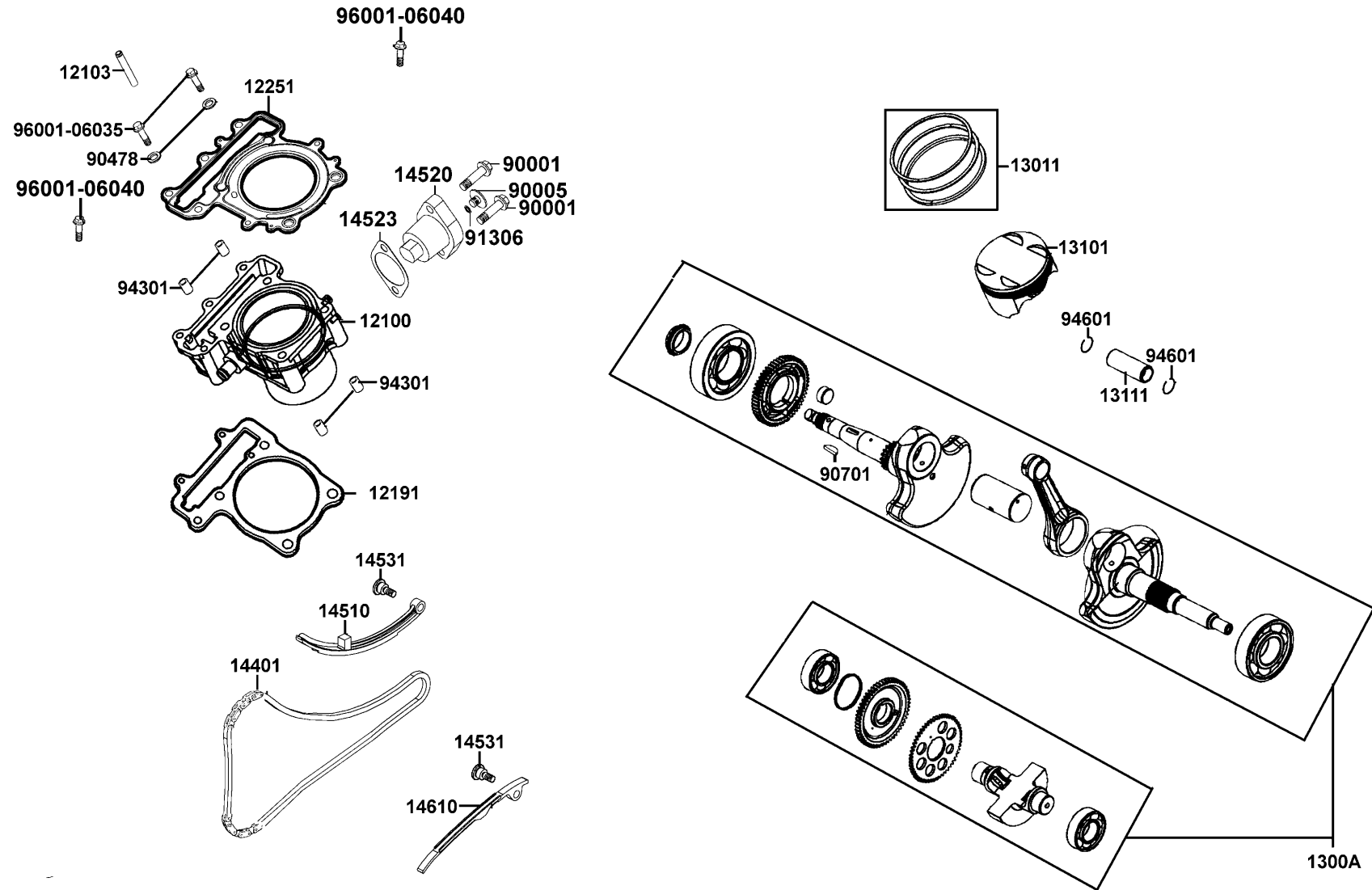
Cylinder Piston Crankshaft



| Sales mark | Ref no | Part no | Description | Reg description | Regd no | E03 |
|------------|--------|----------------|----------------------------|----------------------------|---------|------------|
| 12100 | | 12100-LDB5-E00 | CYLINDER COMP | CYLINDER COMP | 1 | |
| 12103 | | 12103-LBA2-E00 | STOPPER CYLN WATER | STOPPER CYLN WATER | 1 | |
| 12191 | | 12191-LDB5-E00 | GASKET CYLINDER | GASKET CYLINDER | 1 | |
| 12251 | | 12251-LBA2-E00 | GASKET CYLINDER HEAD | GASKET CYLINDER HEAD | 1 | |
| 1300A | | 1300A-LDB5-309 | CRANK BLANCER COMP | CRANK BLANCER COMP | 1 | |
| 13011 | | 13011-LBA2-E0A | RING SET PISTON | RING SET PISTON | 1 | |
| 13101 | | 13101-LDG7-E00 | PISTON | PISTON | 1 | |
| 13111 | | 13111-LBA2-E00 | PIN PISTON | PIN PISTON | 1 | |
| 14401 | | 14401-LBA2-E00 | CHAIN CAM | CHAIN CAM | 1 | |
| 14510 | | 14510-LDB5-E00 | TENSIONER CAM CHAIN | TENSIONER CAM CHAIN | 1 | |
| 14520 | | 14520-LDB5-E00 | LIFTER ASSY TENSIONER | LIFTER ASSY TENSIONER | 1 | |
| 14523 | | 14523-KED9-900 | GASKET TENSIONER LIFTER @A | GASKET TENSIONER LIFTER @A | 1 | |
| 14531 | | 14531-KED9-900 | PIVOT TENSION GUIDE | PIVOT TENSION GUIDE | 2 | |
| 14610 | | 14610-LBA2-E00 | GUIDE COMP CAM CHAIN | GUIDE COMP CAM CHAIN | 1 | |
| 90001 | | 90001-GBHB-661 | BOLT FLANGE SH 6*22 | BOLT FLANGE SHF 6*22 | 2 | |
| 90005 | | 90005-KEC8-900 | BOLT SPECIAL 6*6 | BOLT SPECIAL 6*6 | 1 | |
| 90478 | | 90478-7L00-001 | WASHER 6MM | WASHER A 6MM | 2 | |
| 90701 | | 90701-LDB5-E00 | KEY WOODRUFF 25*17*5 | KEY WOODRUFF 25*17*5 | 1 | |
| 91306 | | 91306-1E05-691 | O-RING 1.5*9.5 | O-RING 1.5*9.5 | 1 | |
| 94301 | | 94301-12200 | DOWEL PIN 12*20 | DOWEL PIN 12*20 | 4 | |

E03

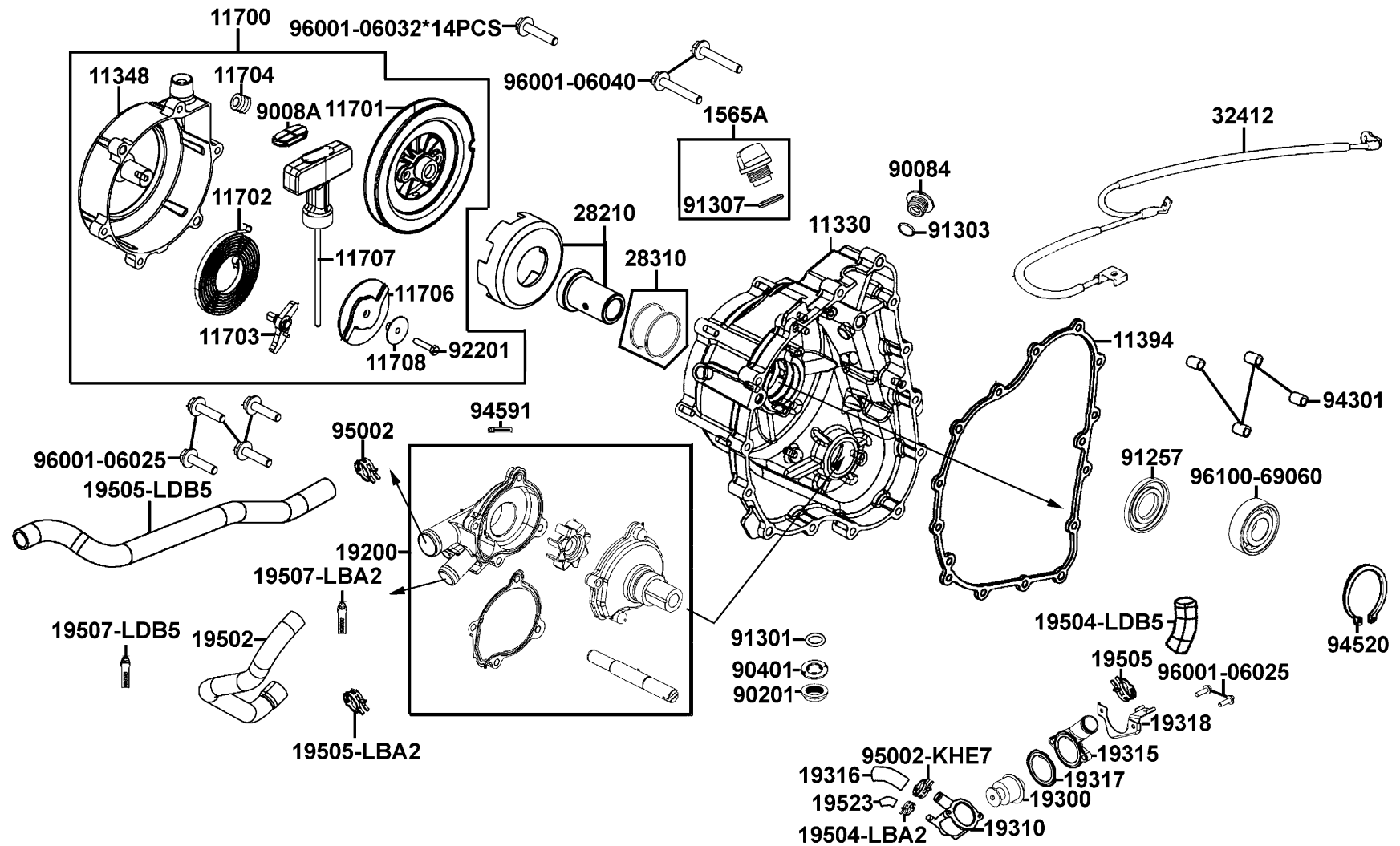
Cylinder Piston Crankshaft



| Sales mark | Ref no | Part no | Description | Reg description | Regd no | E03 |
|------------|--------|----------------|----------------------|----------------------|---------|------------|
| | 94601 | 94601-22000 | CLIP PISTON PIN 22MM | CLIP PISTON PIN 22MM | 2 | |
| | 96001 | 96001-06040-08 | BOLT FLANGE 6*40 | BOLT FLANGE SH 6*40 | 2 | |

E04

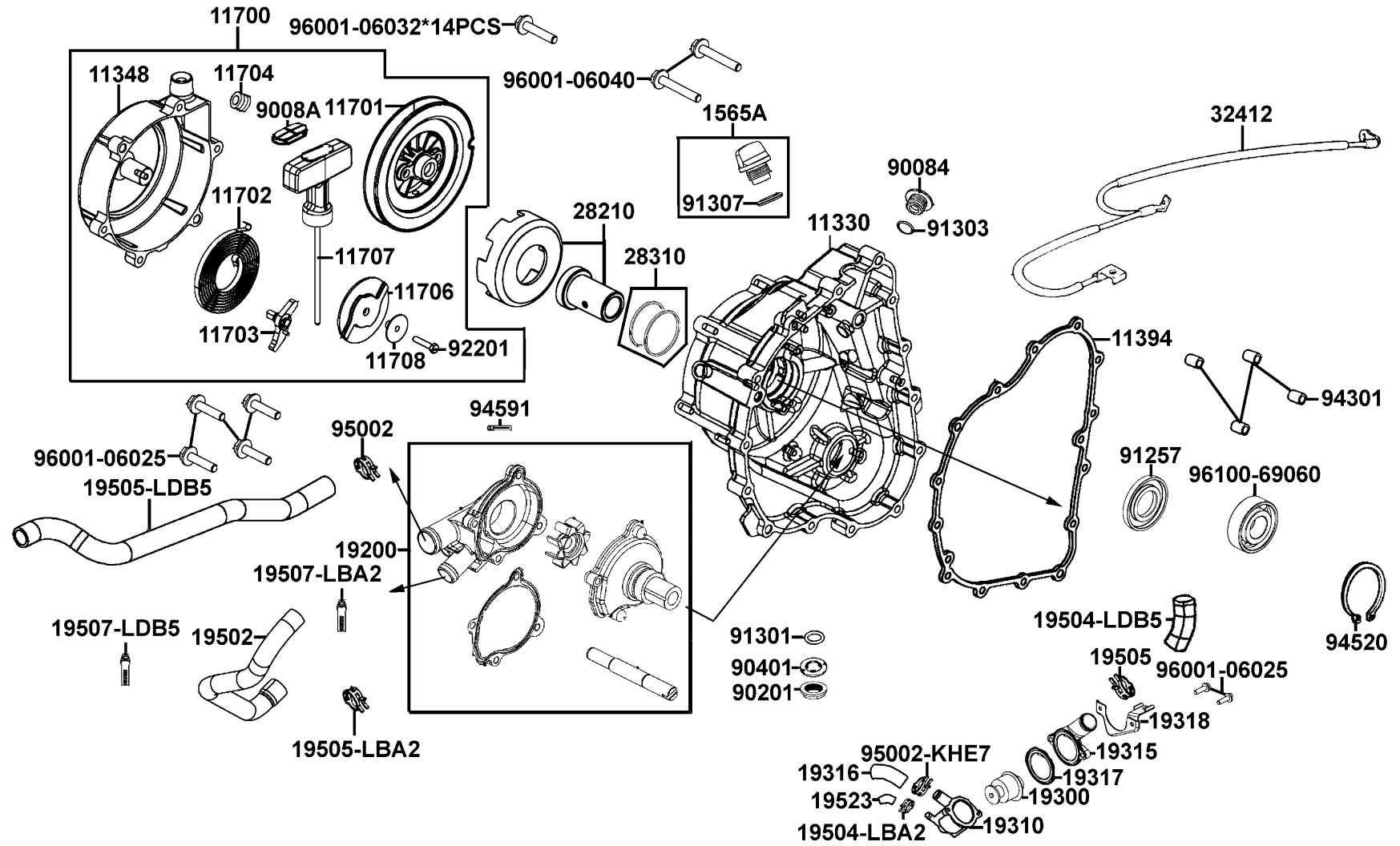
Right Crankcase Cover Water Pump



| Sales mark | Ref no | Part no | Description | Reg description | Regd no | E04 |
|------------|------------|----------------|-------------------------|-------------------------|---------|------------|
| | 11330 | 11330-LEE8-E00 | COVER ASSY R CRANK CASE | COVER ASSY R CRANK CASE | 1 | |
| ** | 11348 | 11348-LDB5-E00 | COVER STARTING | COVER STARTING | 1 | |
| | 11394 | 11394-LDB5-E00 | GASKET COVER | GASKET COVER | 1 | |
| | 11700 | 11700-LDB5-E00 | RECOIL STARTING | RECOIL STARTING | 1 | |
| | 11701 | 11701-LDB5-E00 | REEL STARTING | REEL STARTING | 1 | |
| | 11702 | 11702-LDB5-E00 | SPIRAL SPG STARTING | SPIRAL SPG STARTING | 1 | |
| | 11703 | 11703-LDB5-E00 | RACHET STARTING | RACHET STARTING | 1 | |
| | 11704 | 11704-LCA5-E00 | SPG RACHET GUIDE | SPG RACHET GUIDE | 1 | |
| | 11706 | 11706-LDB5-E00 | RACHET GUIDE STARTING | RACHET GUIDE STARTING | 1 | |
| | 11707 | 11707-LDB5-E00 | ROPE STARTING | ROPE STARTING | 1 | |
| | 11708 | 11708-LCA5-E00 | COLLAR | COLLAR | 1 | |
| | 19200 | 19200-LEE8-E00 | WATER PUMP ASSY | WATER PUMP ASSY | 1 | |
| | 19300 | 19300-LBA2-E00 | THERMOSTAT ASSY | THERMOSTAT ASSY | 1 | |
| | 19310 | 19310-LDB5-E00 | CASE COMP THERMOSTAT | CASE COMP THERMOSTAT | 1 | |
| | 19315 | 19315-LBA2-E00 | COVER THERMOSTAT | COVER THERMOSTAT | 1 | |
| | 19316 | 19316-LFE9-E00 | HOSE THERMOSTAT | HOSE THERMOSTAT | 1 | |
| | 19317 | 19317-LBA2-E00 | RING 48.3*2 | RING 48.3*2 | 1 | |
| | 19318 | 19318-LDB5-E00 | BRKT THERMOSTAT | BRKT THERMOSTAT | 1 | |
| | 19502 | 19502-LEE8-E00 | HOSE B WATER | HOSE B WATER | 1 | |
| | 19504-LBA2 | 19504-LBA2-E00 | CLAMP D 16.8 | CLAMP D 16.8 | 1 | |

E04

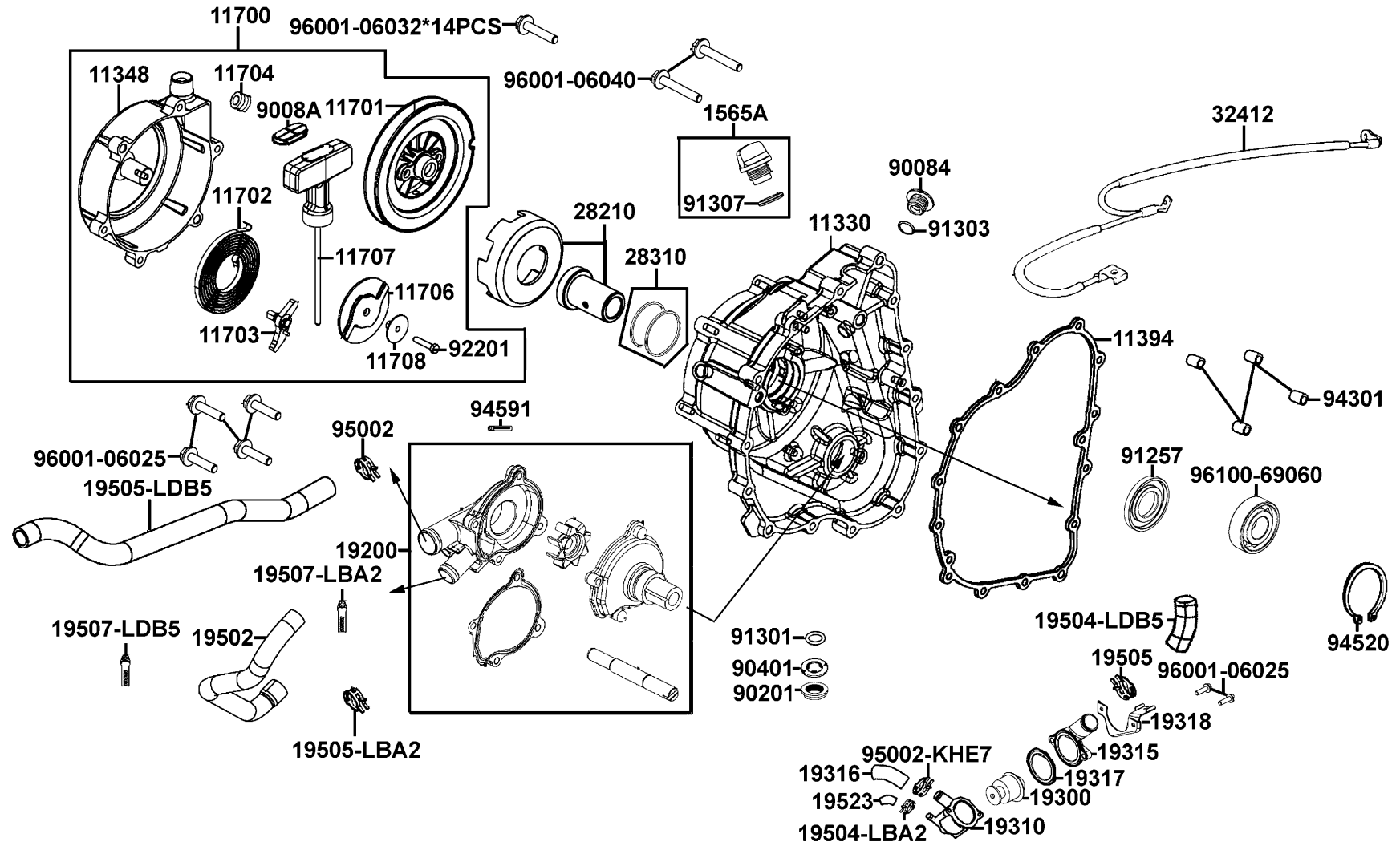
Right Crankcase Cover Water Pump



| Sales mark | Ref no | Part no | Description | Reg description | Regd no | E04 |
|------------|------------|----------------|---------------------------|---------------------------|---------|------------|
| | 19504-LDB5 | 19504-LDB5-E00 | HOSE WATER D RADIATOR-ENG | HOSE WATER D RADIATOR-ENG | 1 | |
| | 19505-LBA2 | 19505-LBA2-E00 | CLAMP WATER HOSE | CLAMP WATER HOSE | 2 | |
| | 19505-LDB5 | 19505-LDB5-E00 | HOSE WATER F ENG-RADIATOR | HOSE WATER F ENG-RADIATOR | 1 | |
| | 19507-LBA2 | 19507-LBA2-E00 | CLAMP D 27.5 | CLAMP D 27.5 | 1 | |
| | 19507-LDB5 | 19507-LDB5-E00 | CLAMP D 28 | CLAMP D28 | 1 | |
| | 19523 | 19523-LDB5-E00 | WATER HOSE A | WATER HOSE A | 1 | |
| | 28210 | 28210-LDB5-E00 | PLATE RACHET | PLATE RACHET | 1 | |
| | 28310 | 28310-LDB5-E00 | RING OIL PATH | RING OIL PATH | 2 | |
| | 32412 | 32412-LDB5-E00 | CABLE EARTH | CABLE EARTH | 1 | |
| | 9008A | 9008A-LDB5-E00 | COVER HOLDER | COVER HOLDER | 1 | |
| | 90201 | 90201-KHR8-75A | NUT FLANGE 14MM | NUT FLANGE 14MM | 1 | |
| | 90401 | 90401-KKJ9-001 | WASHER THRUST 14*28*2 | WASHER THRUST 14*28*2 | 1 | |
| | 91257 | 91257-LDB5-E00 | OIL SEAL 30*60*7 | OIL SEAL 30*60*7 | 1 | |
| | 91301 | 91301-LDB5-E00 | O-RING 16MM | O-RING 16MM | 1 | |
| | 91303 | 91303-3G77-001 | O-RING 13.8*2.5 | O-RING 13.8*2.5 | 1 | |
| | 91307 | 91307-0E35-001 | O RING 18*3 | O-RING 18*3 | 1 | |
| | 92201 | 92201-05025-0H | BOLT HEX 5*25 | BOLT HEX 5*25 | 1 | |
| | 94301 | 94301-08140 | DOWEL PIN 8*14 | DOWEL PIN 8*14 | 4 | |
| | 94520 | 94520-47000 | CIR CLIP IN 47 | CIR CLIP IN 47 | 1 | |
| | 94591 | 94591-KFBF-900 | CLIP 2*70 | CLIP 2*71 | 1 | |

E04

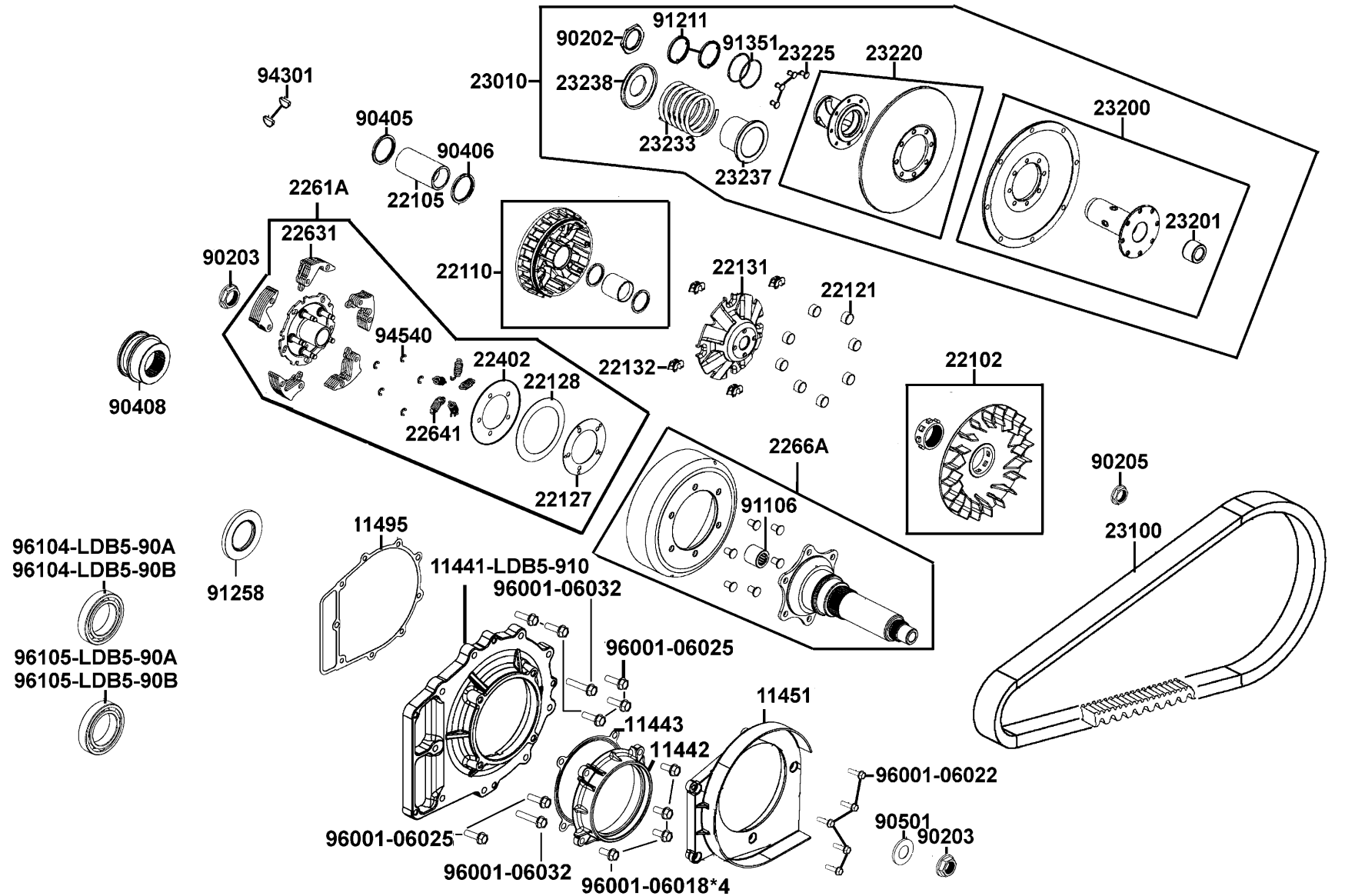
Right Crankcase Cover Water Pump



| Sales mark | Ref no | Part no | Description | Reg description | Regd no | E04 |
|------------|-------------|----------------|--------------------------|--------------------------|---------|------------|
| | 95002 | 95002-KHE7-900 | CLIP WATER HOSE | CLIP WATER HOSE | 2 | |
| | 96001-06025 | 96001-06025-08 | BOLT FLANGE SH 6*25 | BOLT FLANGE SH 6*25 | 6 | |
| | 96001-06032 | 96001-06032-08 | BOLT FLANGE SH 6*32 | BOLT FLANGE SH 6*32 | 14 | |
| | 96001-06040 | 96001-06040-08 | BOLT FLANGE 6*40 | BOLT FLANGE SH 6*40 | 2 | |
| | 96100 | 96100-69060-00 | BEARING BALL RADIAL 6906 | BEARING BALL RADIAL 6906 | 1 | |

E05

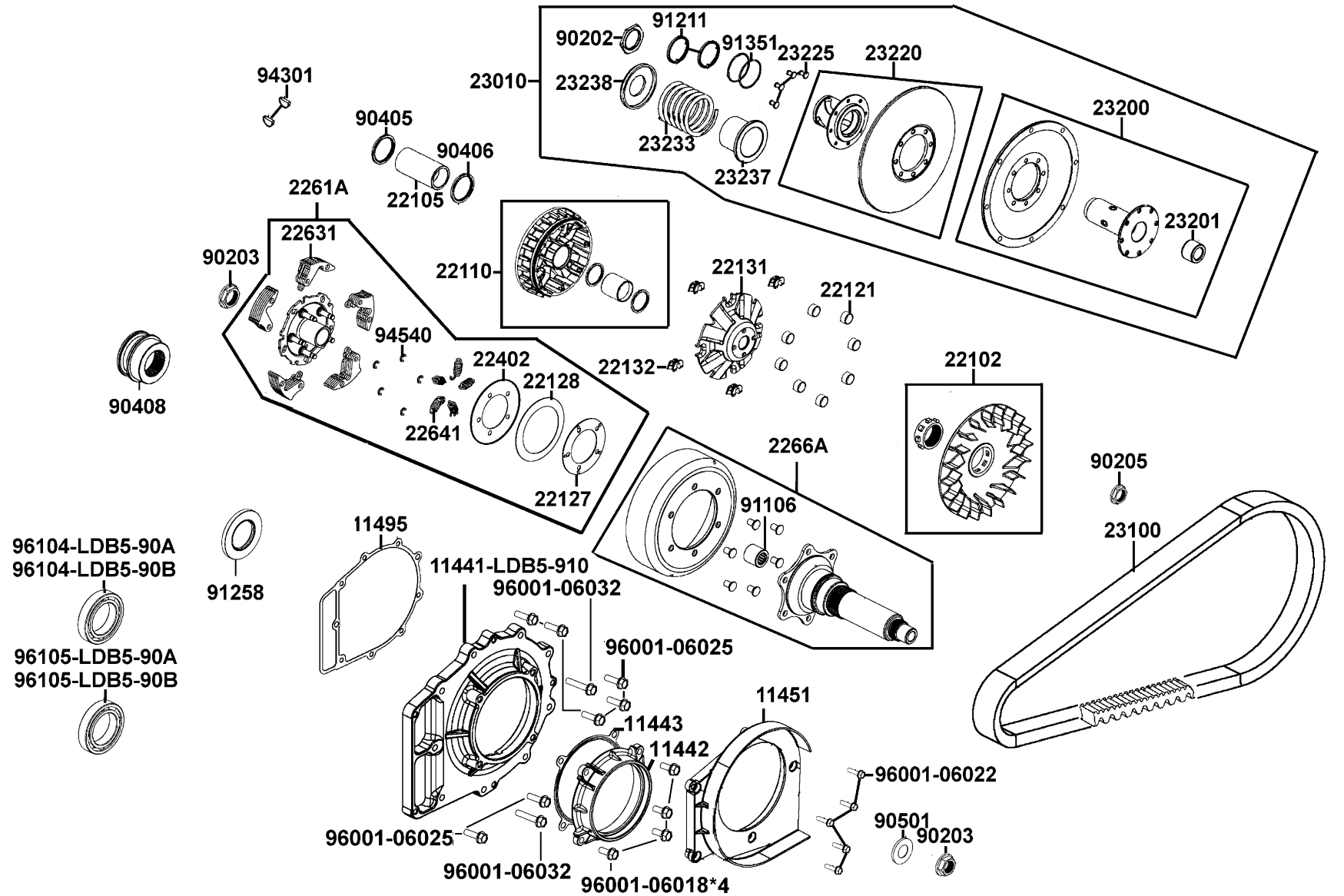
Drive Pulley



| Sales mark | Ref no | Part no | Description | Reg description | Regd no | E05 |
|------------|--------|----------------|----------------------------|----------------------------|---------|------------|
| 11441 | | 11441-LDB5-910 | COVER CLUTCH | COVER CLUTCH | 1 | |
| 11442 | | 11442-LDB5-900 | COVER PRIMARY SHAFT | COVER PRIMARY SHAFT | 1 | |
| 11443 | | 11443-LDB5-900 | GASKET PRIMARY SHAFT COVER | GASKET PRIMARY SHAFT COVER | 1 | |
| 11451 | | 11451-LDB5-E00 | COVER CVT FAN | COVER CVT FAN | 1 | |
| 11495 | | 11495-LDB5-E00 | GASKET CLUTCH COVER | GASKET CLUTCH COVER | 1 | |
| 22102 | | 22102-LDB5-E00 | FACE DRIVE | FACE DRIVE | 1 | |
| 22105 | | 22105-LDB5-E00 | BOSS DRIVE FACE | BOSS DRIVE FACE | 1 | |
| 22110 | | 22110-LDB5-E00 | FACE COMP MOVABLE DRIVE | FACE COMP MOVABLE DRIVE | 1 | |
| 22121 | | 22121-LFE9-E00 | ROLLER COMP WEIGHT | ROLLER COMP WEIGHT | 8 | |
| 22127 | | 22127-LDB5-E00 | SEAT ADJUSTER SPG | SEAT ADJUSTER SPG | 1 | |
| 22128 | | 22128-LDB5-E00 | PLATE ADJUSTER SPG | PLATE ADJUSTER SPG | 1 | |
| 22131 | | 22131-LDB5-E00 | PLATE RAMP | PLATE RAMP | 1 | |
| 22132 | | 22132-LDB5-E00 | PLATE SLIDE | PLATE SLIDE | 4 | |
| 22402 | | 22402-LDB5-E00 | SPR ADJUSTER | SPR ADJUSTER | 1 | |
| 2261A | | 2261A-LDB5-900 | PLATE ASSY PRIMARY DRIVE | PLATE ASSY PRIMARY DRIVE | 1 | |
| 22631 | | 22631-LDB5-E00 | PRIMARY CLUTCH WEIGHT | PRIMARY CLUTCH WEIGHT | 5 | |
| 22641 | | 22641-LDB5-E00 | PRIMARY CLUTH SPG | PRIMARY CLUTH SPG | 5 | |
| 2266A | | 2266A-LDB5-910 | PRIMARY DRIVE GEAR COMP | PRIMARY DRIVE GEAR COMP | 1 | |
| 23010 | | 23010-LFE9-E00 | PULLEY ASSY DRIVEN | PULLEY ASSY DRIVEN | 1 | |
| 23100 | | 23100-LDB5-E00 | BELT DRIVE | BELT DRIVE | 1 | |

E05

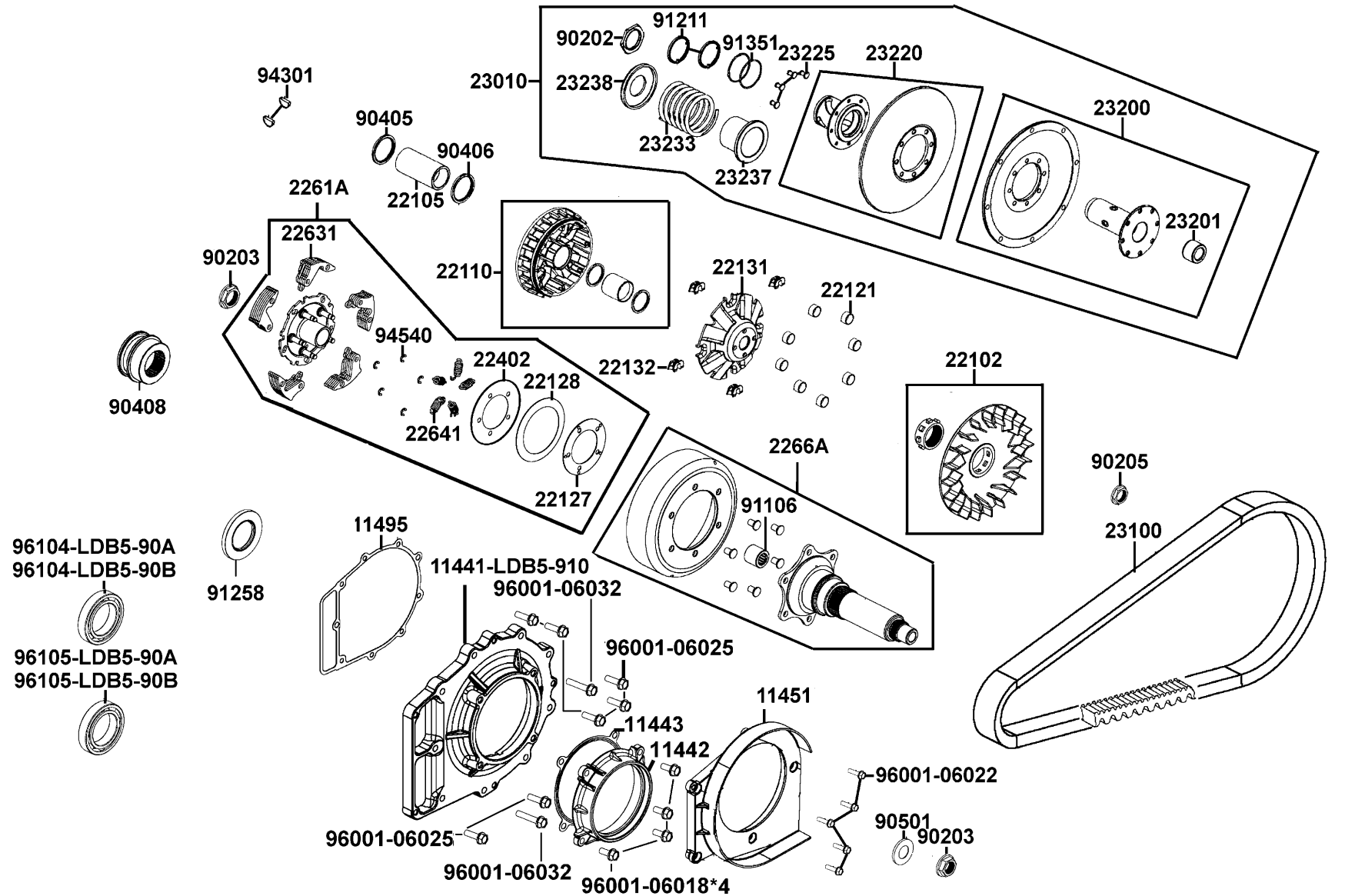
Drive Pulley



| Sales mark | Ref no | Part no | Description | Reg description | Regd no | E05 |
|------------|--------|----------------|----------------------------|----------------------------|---------|-----|
| | 23200 | 23200-LDB5-E00 | FACE ASSY DRIVEN | FACE ASSY DRIVEN | 1 | |
| | 23201 | 23201-LDB5-E00 | BUSH MOVABLE FACE | BUSH MOVABLE FACE | 1 | |
| | 23220 | 23220-LDB5-E00 | FACE COMP MOVABLE DRIVE | FACE COMP MOVABLE DRIVE | 1 | |
| | 23225 | 23225-LDB5-E00 | PIN ROLLER GUIDE | PIN ROLLER GUIDE | 4 | |
| | 23233 | 23233-LFE9-E00 | SPG DRIVEN FACE | SPG DRIVEN FACE | 1 | |
| | 23237 | 23237-LDB5-E00 | COLLAR SEAL | COLLAR SEAL | 1 | |
| | 23238 | 23238-LDB5-E00 | COLLAR SPG | COLLAR SPG | 1 | |
| | 90202 | 90202-LDB5-E00 | NUT SPECIAL 36MM | NUT SPECIAL 36MM | 1 | |
| | 90203 | 90203-LDB5-E00 | NUT FLANGE 20MM | NUT FLANGE 20MM | 2 | |
| | 90205 | 90205-LDB5-E00 | NUT FLANGE 16MM | NUT FLANGE 16MM | 1 | |
| | 90405 | 90405-LDB5-E00 | WASHER 30.2*45*5 | WASHER 30.2*45*5 | 1 | |
| | 90406 | 90406-LDB5-E00 | WASHER 25*33*4 | WASHER 25*33*4 | 1 | |
| | 90408 | 90408-LDB5-900 | COLLAR PRIMARY DRIVE SHAFT | COLLAR PRIMARY DRIVE SHAFT | 1 | |
| | 90501 | 90501-LDB5-E00 | WASHER THRUST 20MM | WASHER THRUST 20MM | 1 | |
| | 91106 | 91106-LDB5-E00 | BRG NEEDLE 14*22*20 | BRG NEEDLE 14*22*20 | 1 | |
| | 91211 | 91211-LDB5-E00 | SEAL DRIVEN FACE 40.2*47*4 | SEAL DRIVEN FACE 40.2*47*4 | 1 | |
| | 91258 | 91258-LDB5-900 | OIL SEAL 56.5*80*7 | OIL SEAL 56.5*80*7 | 1 | |
| | 91351 | 91351-LDB5-E00 | O-RING PINION CAP | O-RING PINION CAP | 2 | |
| | 94301 | 94301-08140 | DOWEL PIN 8*14 | DOWEL PIN 8*14 | 2 | |
| | 94540 | 94540-07017 | E RING 7MM | E RING 7MM | 5 | |

E05

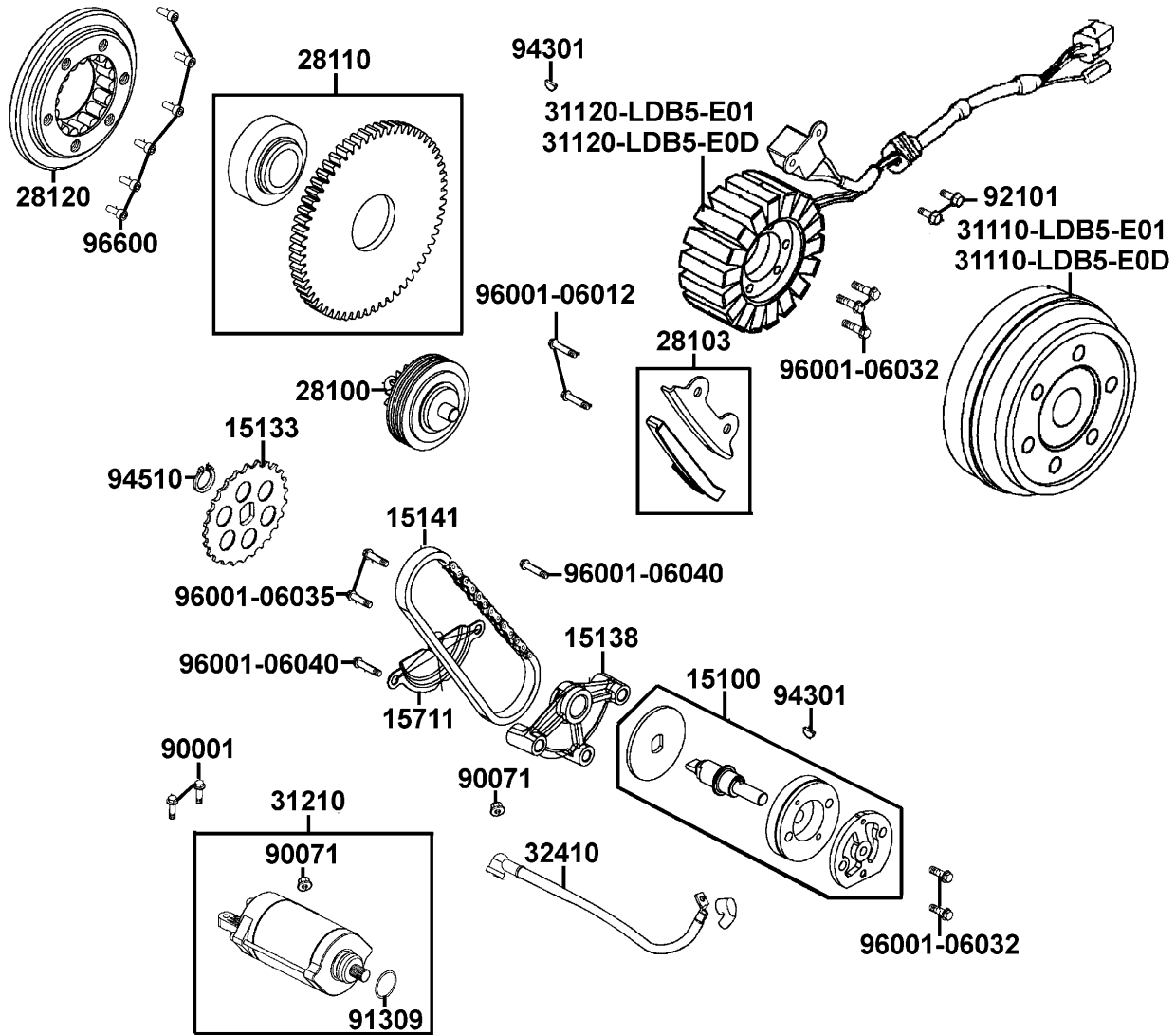
Drive Pulley



| Sales mark | Ref no | Part no | Description | Reg description | Regd no | E05 |
|------------|----------------|----------------|---------------------------|---------------------------|---------|------------|
| # | 96001-06018 | 96001-06018-08 | BOLT FLANGE SH 6*18 | BOLT FLANGE SH 6*18 | 4 | |
| | 96001-06022 | 96001-06022-08 | BOLT FLANGE SH 6*22 | BOLT FLANGE SH 6*22 | 5 | |
| | 96001-06025 | 96001-06025-08 | BOLT FLANGE SH 6*25 | BOLT FLANGE SH 6*25 | 7 | |
| | 96001-06032 | 96001-06032-08 | BOLT FLANGE SH 6*32 | BOLT FLANGE SH 6*32 | 2 | |
| | 96104-LDB5-90A | 96104-LDB5-90A | BEARING BALL RADIAL 16008 | BEARING BALL RADIAL 16008 | 1 | |
| | 96104-LDB5-90B | 96104-LDB5-90B | BEARING BALL RADIAL 16008 | BEARING BALL RADIAL 16008 | 1 | |
| | 96105-LDB5-90A | 96105-LDB5-90A | BEARING BALL RADIAL 68150 | BEARING BALL RADIAL 68150 | 1 | |
| | 96105-LDB5-90B | 96105-LDB5-90B | BEARING BALL RADIAL 68150 | BEARING BALL RADIAL 68150 | 1 | |

E06

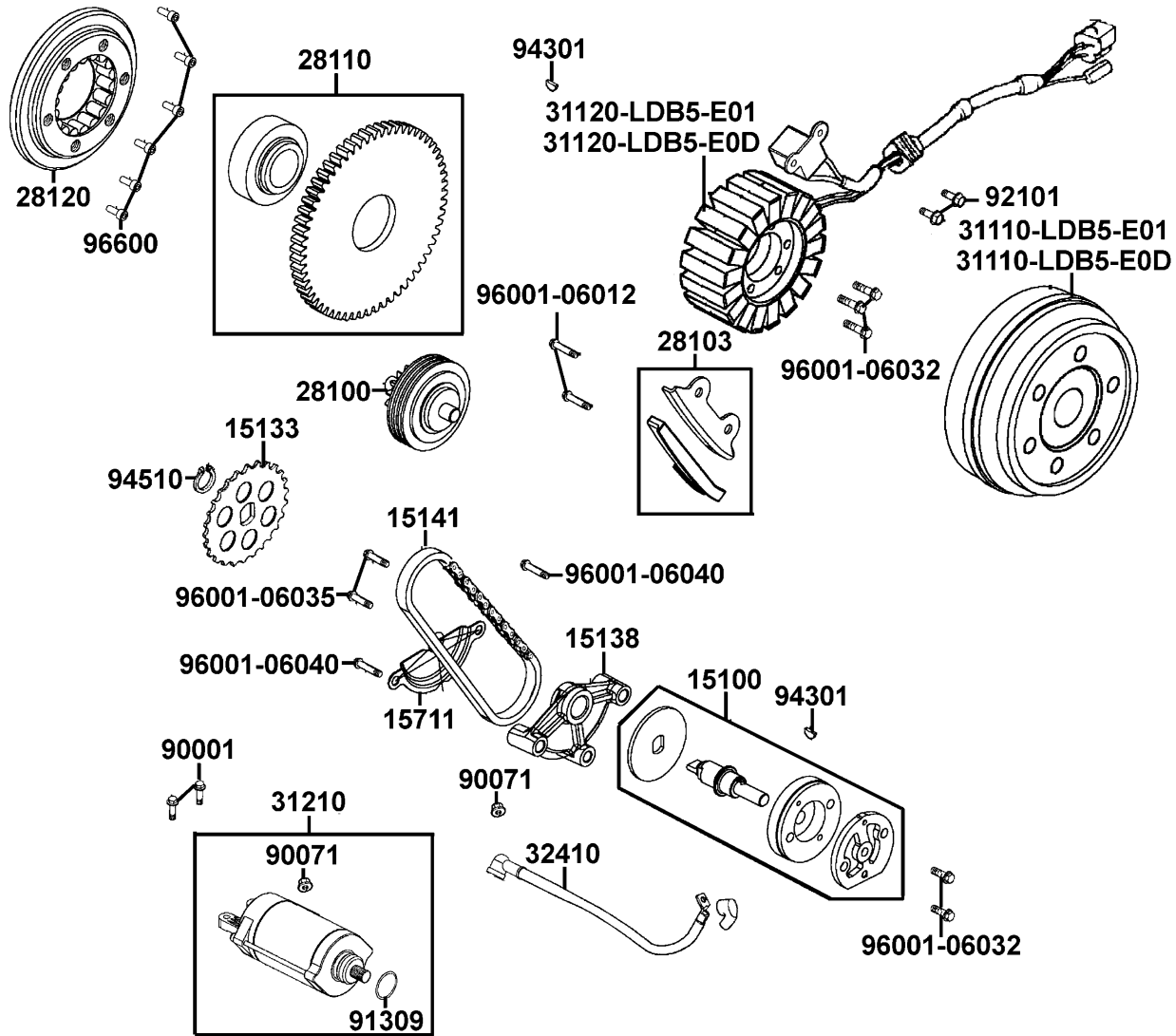
Starting Motor Generator



| Sales mark | Ref no | Part no | Description | Reg description | Regd no | E06 |
|----------------|--------|----------------|---------------------------|---------------------------|---------|------------|
| 15100 | | 15100-LDB5-E00 | PUMP ASSY OIL | PUMP ASSY OIL | 1 | |
| 15133 | | 15133-LBA2-E00 | SPROCKET OIL PUMP DRIVE | SPROCKET OIL PUMP DRIVE | 1 | |
| 15138 | | 15138-LDB5-E00 | HOLDER OIL PUMP SHAFT | HOLDER OIL PUMP SHAFT | 1 | |
| 15141 | | 15141-LDB5-E00 | CHAIN OIL PUMP | CHAIN OIL PUMP | 1 | |
| 15711 | | 15711-LDB5-E00 | SEPARATER OIL | SEPARATER OIL | 1 | |
| 28100 | | 28100-LDB5-E00 | SHAFT COMP REDUCTION | SHAFT COMP REDUCTION | 1 | |
| 28103 | | 28103-LDB5-E00 | GUIDE OIL PUMP CHAIN | GUIDE OIL PUMP CHAIN | 1 | |
| 28110 | | 28110-LDB5-E00 | GEAR COMP STARTING CLUTCH | GEAR COMP STARTING CLUTCH | 1 | |
| 28120 | | 28120-KKE5-E00 | ONE WAY CLUTCH | ONE WAY CLUTCH | 1 | |
| 31110-LDB5-E01 | | 31110-LDB5-E01 | FLYWHEEL COMP | FLYWHEEL COMP | 1 | |
| 31110-LDB5-E0D | | 31110-LDB5-E0D | FLYWHEEL COMP | FLYWHEEL COMP | 1 | |
| 31120-LDB5-E01 | | 31120-LDB5-E01 | STASOR COMP | STASOR COMP | 1 | |
| 31120-LDB5-E0D | | 31120-LDB5-E0D | STASOR COMP | STASOR COMP | 1 | |
| 31210 | | 31210-LBA2-E00 | MOTOR UNIT STARTER | MOTOR UNIT STARTER | 1 | |
| 32410 | | 32410-LDB5-E00 | CABLE STARTER MOTOR | CABLE STARTER MOTOR | 1 | |
| 90001 | | 90001-GBHB-661 | BOLT FLANGE SH 6*22 | BOLT FLANGE SHF 6*22 | 2 | |
| 90071 | | 90071-MLB0-001 | NUT WASH 6MM | NUT WASH 6MM | 2 | |
| 91309 | | 91309-4E25-004 | O-RING 24.4*3.1 | O-RING 24.4*3.1 | 1 | |
| 92101 | | 92101-05012-0H | BOLT HEX 5*12 | BOLT HEX 5*12 | 2 | |
| 94301 | | 94301-08140 | DOWEL PIN 8*14 | DOWEL PIN 8*14 | 2 | |

E06

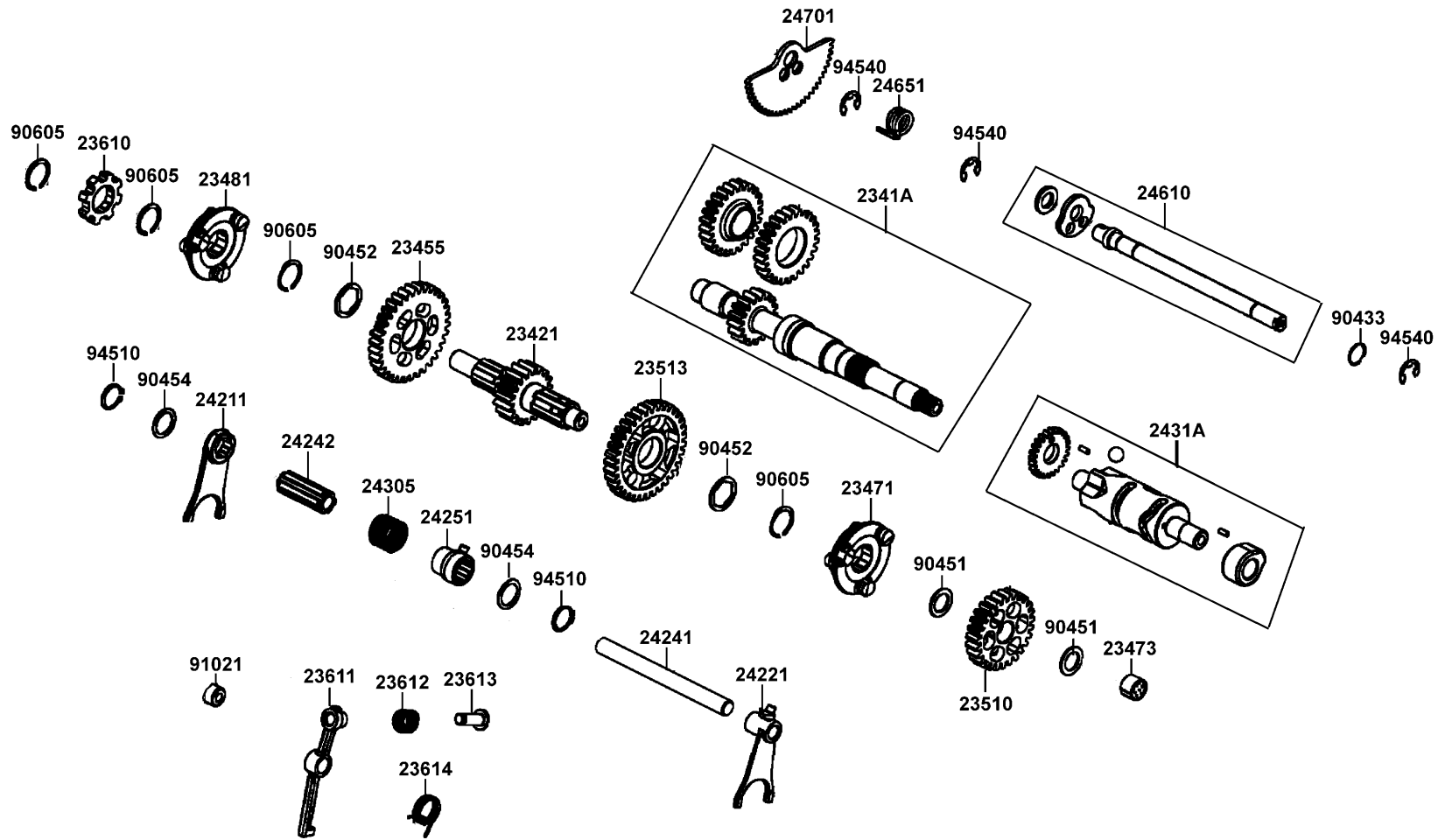
Starting Motor Generator



| Sales mark | Ref no | Part no | Description | Reg description | Regd no | E06 |
|------------|-------------|----------------|---------------------|---------------------|---------|------------|
| | 94510 | 94510-10000 | CIR CLIP EX 10MM | CIR CLIP EX 10MM | 1 | |
| | 96001-06012 | 96001-06012-08 | BOLT FLANGE 6*12 | BOLT FLANGE SH 6*12 | 2 | |
| | 96001-06032 | 96001-06032-08 | BOLT FLANGE SH 6*32 | BOLT FLANGE SH 6*32 | 5 | |
| | 96001-06035 | 96001-06035-08 | BOLT FLANGE 6*35 | BOLT FLANGE SH 6*35 | 2 | |
| | 96001-06040 | 96001-06040-08 | BOLT FLANGE 6*40 | BOLT FLANGE SH 6*40 | 2 | |
| | 96600 | 96600-08015-10 | SOCKET BOLT 8*15 | SOCKET BOLT 8*15 | 6 | |

E07

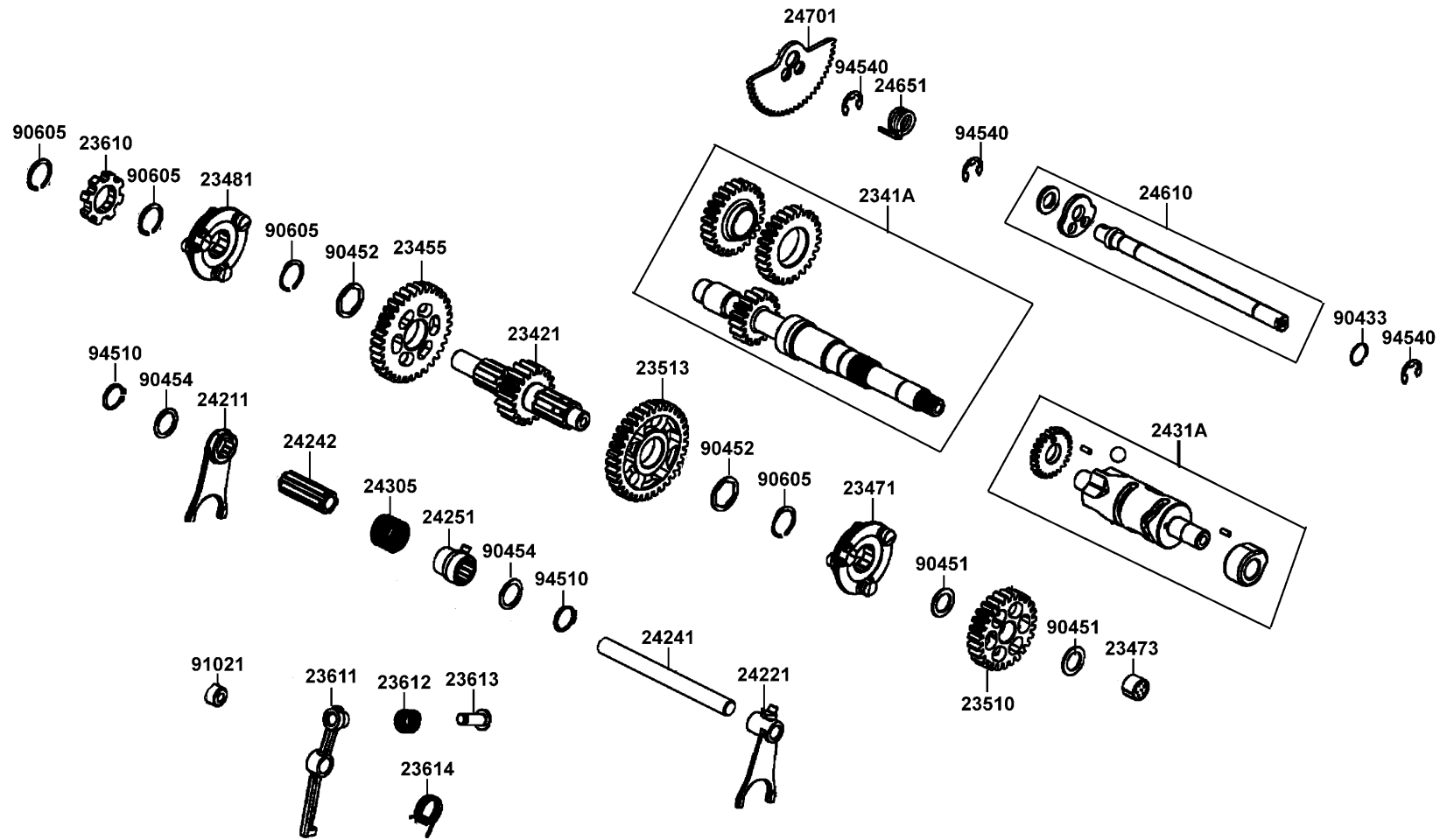
Clutch Assy Primary



| Sales mark | Ref no | Part no | Description | Reg description | Regd no | E07 |
|------------|--------|----------------|-------------------------------|-------------------------------|---------|------------|
| | 2341A | 2341A-LDB5-900 | SHAFT ASSY DRIVE | SHAFT ASSY DRIVE | 1 | |
| | 23421 | 23421-LDB5-E00 | SHAFT COUNTER 19T | SHAFT COUNTER 19T | 1 | |
| | 23455 | 23455-LDB5-E00 | GEAR COMP BACKWARD 2ST DRIVEN | GEAR COMP BACKWARD 2ST DRIVEN | 1 | |
| | 23471 | 23471-LDB5-E00 | SHIFT FORWARD & LOWER | SHIFT FORWARD & LOWER | 1 | |
| | 23473 | 23473-LDB5-E00 | COLLAR 20*17*14 | COLLAR 20*17*14 | 1 | |
| | 23481 | 23481-LDB5-E00 | SHIFT BACKWARD | SHIFT BACKWARD | 1 | |
| | 23510 | 23510-LDB5-900 | GEAR FORWARD DRIVEN | GEAR FORWARD DRIVEN | 1 | |
| | 23513 | 23513-LDB5-E00 | GEAR COMP LOWER DRIVE | GEAR COMP LOWER DRIVE | 1 | |
| | 23610 | 23610-LDB5-E00 | STOPPER PARK | STOPPER PARK | 1 | |
| | 23611 | 23611-LDB5-E00 | ARM PARK | ARM PARK | 1 | |
| | 23612 | 23612-LDB5-E00 | SPRING A PARK | SPRING A PARK | 1 | |
| | 23613 | 23613-LDB5-E00 | GUIDE PARK | GUIDE PARK | 1 | |
| | 23614 | 23614-LDB5-E00 | SPRING B PARK | SPRING B PARK | 1 | |
| | 24211 | 24211-LDB5-E00 | FORK RIGHT GEAR SHIFT | FORK RIGHT GEAR SHIFT | 1 | |
| | 24221 | 24221-LDB5-E00 | FORK LEFT GEAR SHIFT | FORK LEFT GEAR SHIFT | 1 | |
| | 24241 | 24241-LDB5-E00 | SHAFT GEAR SHIFT FORK | SHAFT GEAR SHIFT FORK | 1 | |
| | 24242 | 24242-LDB5-E00 | COLLAR RIGHT FORK | COLLAR RIGHT FORK | 1 | |
| | 24251 | 24251-LDB5-E00 | GUIDE RIGHT FORK | GUIDE RIGHT FORK | 1 | |
| | 24305 | 24305-LDB5-E00 | SPRING RIGHT FORK | SPRING RIGHT FORK | 1 | |
| | 2431A | 2431A-LDB5-E00 | DRUM ASSY GEAR SHIFT | DRUM ASSY GEAR SHIFT | 1 | |

E07

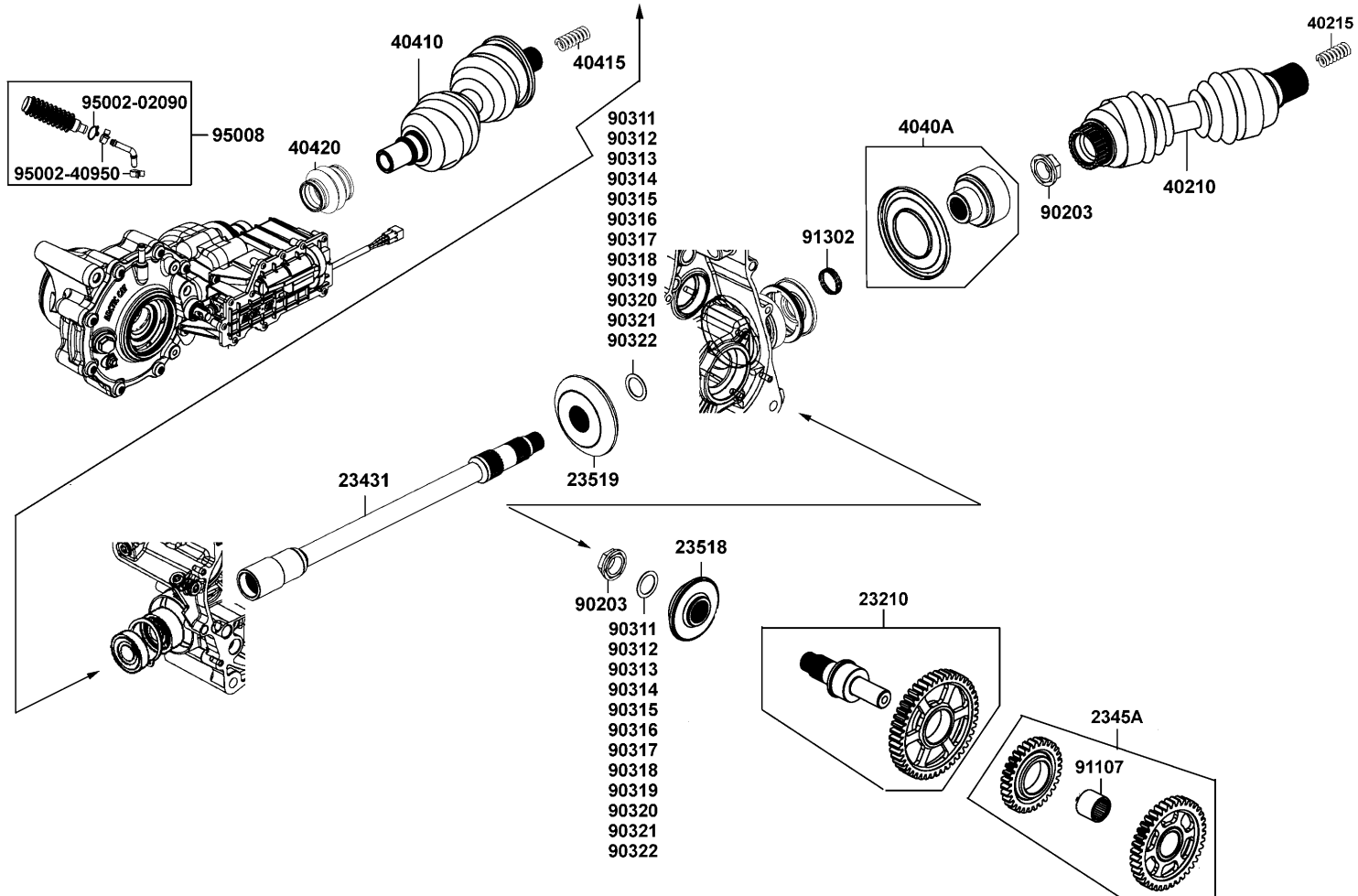
Clutch Assy Primary



| Sales mark | Ref no | Part no | Description | Reg description | Regd no | E07 |
|------------|--------|----------------|--------------------------|--------------------------|---------|------------|
| | 24610 | 24610-LDB5-E00 | SPINDLE COMP DRUM SHIFT | SPINDLE COMP DRUM SHIFT | 1 | |
| | 24651 | 24651-LDB5-E00 | SPRING GEAR SHIFT RETURN | SPRING GEAR SHIFT RETURN | 1 | |
| | 24701 | 24701-LDB5-E00 | GEAR CHANGE HNDL | GEAR CHANGE HNDL | 1 | |
| | 90433 | 90433-KAE1-001 | WASHER 14MM | WASHER 14MM | 1 | |
| | 90451 | 90451-LDB5-E00 | WASHER THRUST 17MM | WASHER THRUST 17MM | 2 | |
| | 90452 | 90452-KED9-900 | WASHER 25*31*1.5 | WASHER 25*31*1.5 | 2 | |
| | 90454 | 90454-1G07-001 | WASHER THRUST 20MM B | WASHER THRUST 20MM | 2 | |
| | 90605 | 90605-KED9-900 | SET RING 28MM | SET RING 28MM | 4 | |
| | 91021 | 91021-LDB5-E00 | BEARING ONE WAY | BEARING ONE WAY | 1 | |
| | 94510 | 94510-25000 | CIR CLIP EXTERNAL 25 | CIR CLIP EXTERNAL 25MM | 2 | |
| | 94540 | 94540-12028 | E RING 12 | E RING 12 | 3 | |

E08

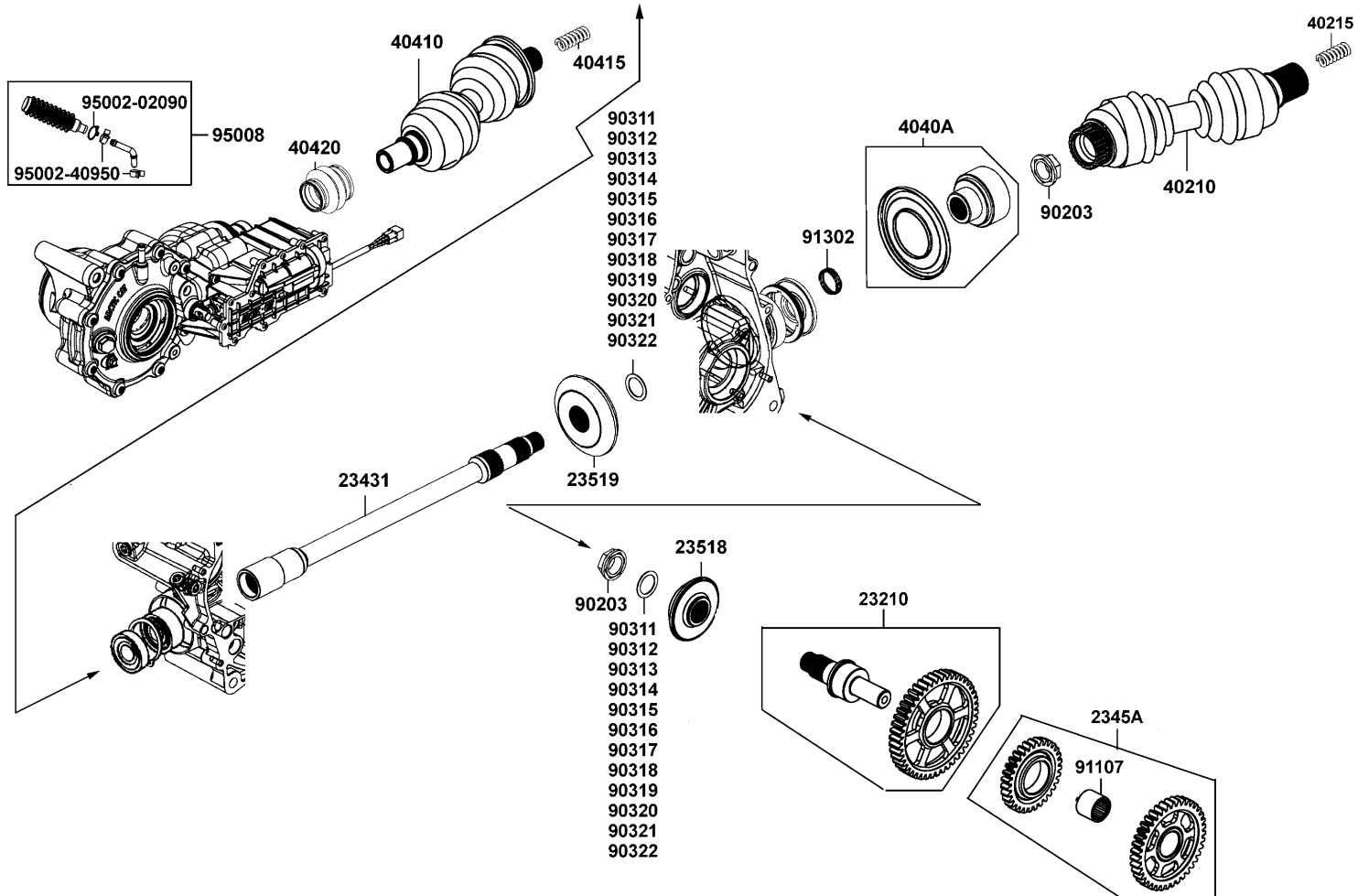
Shaft Reduction



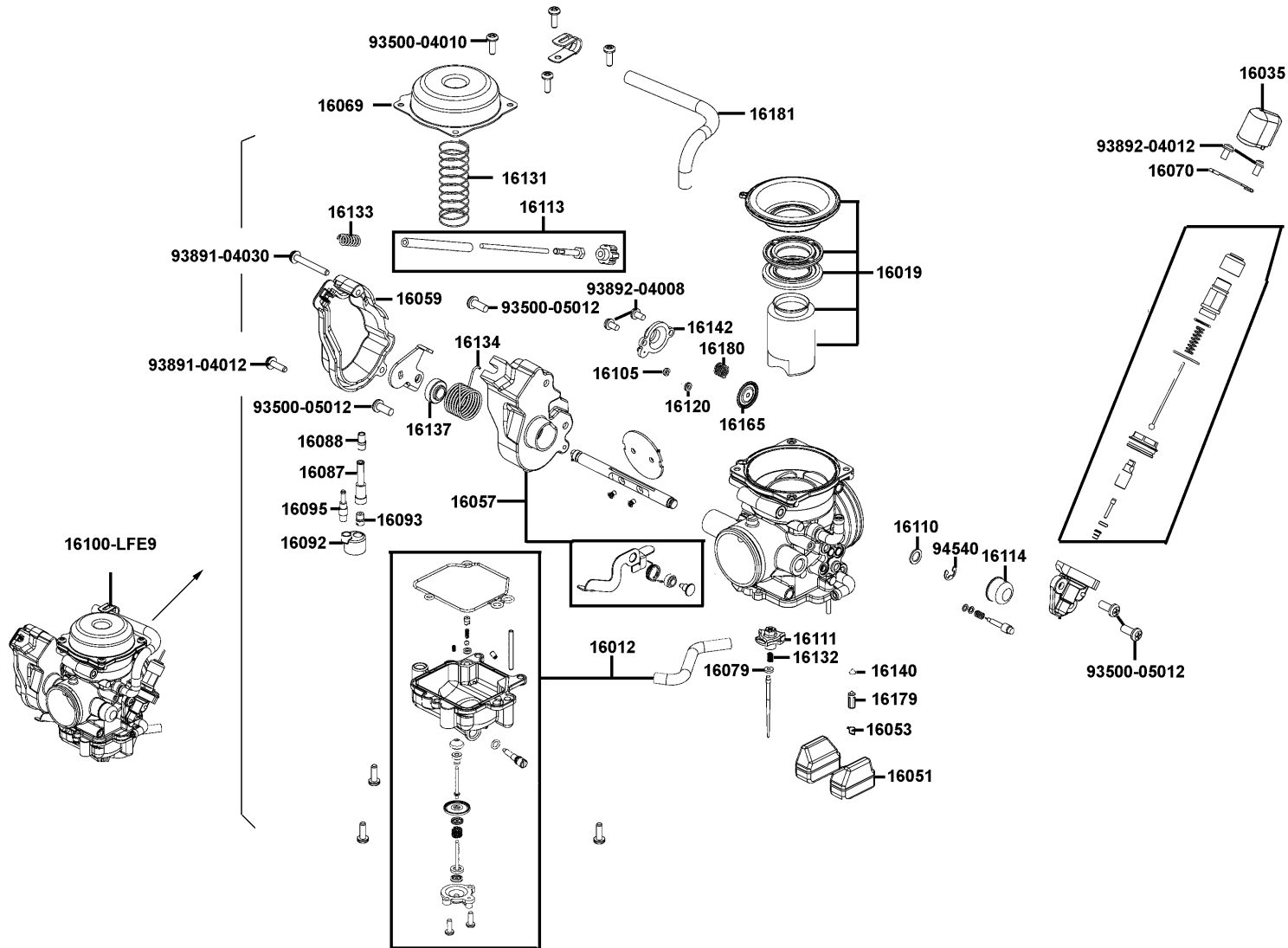
| Sales mark | Ref no | Part no | Description | Reg description | Regd no | E08 |
|------------|--------|----------------|--------------------------------|--------------------------------|---------|------------|
| 23210 | | 23210-LDB5-E00 | SHAFT COMP MAIN | SHAFT COMP MAIN | 1 | |
| 23431 | | 23431-LDB5-E00 | SHAFT FINAL | SHAFT FINAL | 1 | |
| 2345A | | 2345A-LDB5-E00 | GEAR COMP BACKWARD | GEAR COMP BACKWARD | 1 | |
| 23518 | | 23518-LDB5-E00 | BEVEL GEAR DRIVE | BEVEL GEAR DRIVE | 1 | |
| 23519 | | 23519-LDB5-E00 | BEVEL GEAR DRIVE | BEVEL GEAR DRIVE | 1 | |
| 40210 | | 40210-LFE9-E00 | CVJ REAR PROPELLER SHAFT | CVJ REAR PROPELLER SHAFT | 1 | |
| 40215 | | 40215-LFE9-E00 | SPRING REAR PROPELLER SHAFT | SPRING REAR PROPELLER SHAFT | 1 | |
| 4040A | | 4040A-LDB5-E00 | COUPLING RR PROPELLER | COUPLING RR PROPELLER | 1 | |
| 40410 | | 40410-LFE9-E00 | CVJ FRONT PROPELLER SHAFT | CVJ FRONT PROPELLER SHAFT | 1 | |
| 40415 | | 40415-LDB5-E00 | SPRING FR PROPELLER SHAFT | SPRING FR PROPELLER SHAFT | 2 | |
| 40420 | | 40420-LFE9-E00 | BOOT REAR PROPELLER SHAFT | BOOT REAR PROPELLER SHAFT | 1 | |
| 90203 | | 90203-LDB5-E00 | NUT FLANGE 20MM | NUT FLANGE 20MM | 2 | |
| 90311 | | 90311-LDB5-E00 | SHIM FLNAL BEVEL GEAR A (0.6) | SHIM FLNAL BEVEL GEAR A (0.6) | 2 | |
| 90312 | | 90312-LDB5-E00 | SHIM FLNAL BEVEL GEAR B (0.65) | SHIM FLNAL BEVEL GEAR B (0.65) | 2 | |
| 90313 | | 90313-LDB5-E00 | SHIM FLNAL BEVEL GEAR C (0.7) | SHIM FLNAL BEVEL GEAR C (0.7) | 2 | |
| 90314 | | 90314-LDB5-E00 | SHIM FLNAL BEVEL GEAR D (0.75) | SHIM FLNAL BEVEL GEAR D (0.75) | 2 | |
| 90315 | | 90315-LDB5-E00 | SHIM FLNAL BEVEL GEAR E (0.8) | SHIM FLNAL BEVEL GEAR E (0.8) | 2 | |
| 90316 | | 90316-LDB5-E00 | SHIM FLNAL BEVEL GEAR F (0.85) | SHIM FLNAL BEVEL GEAR F (0.85) | 2 | |
| 90317 | | 90317-LDB5-E00 | SHIM FLNAL BEVEL GEAR G (0.9) | SHIM FLNAL BEVEL GEAR G (0.9) | 2 | |
| 90318 | | 90318-LDB5-E00 | SHIM FLNAL BEVEL GEAR H (0.95) | SHIM FLNAL BEVEL GEAR H (0.95) | 2 | |

E08

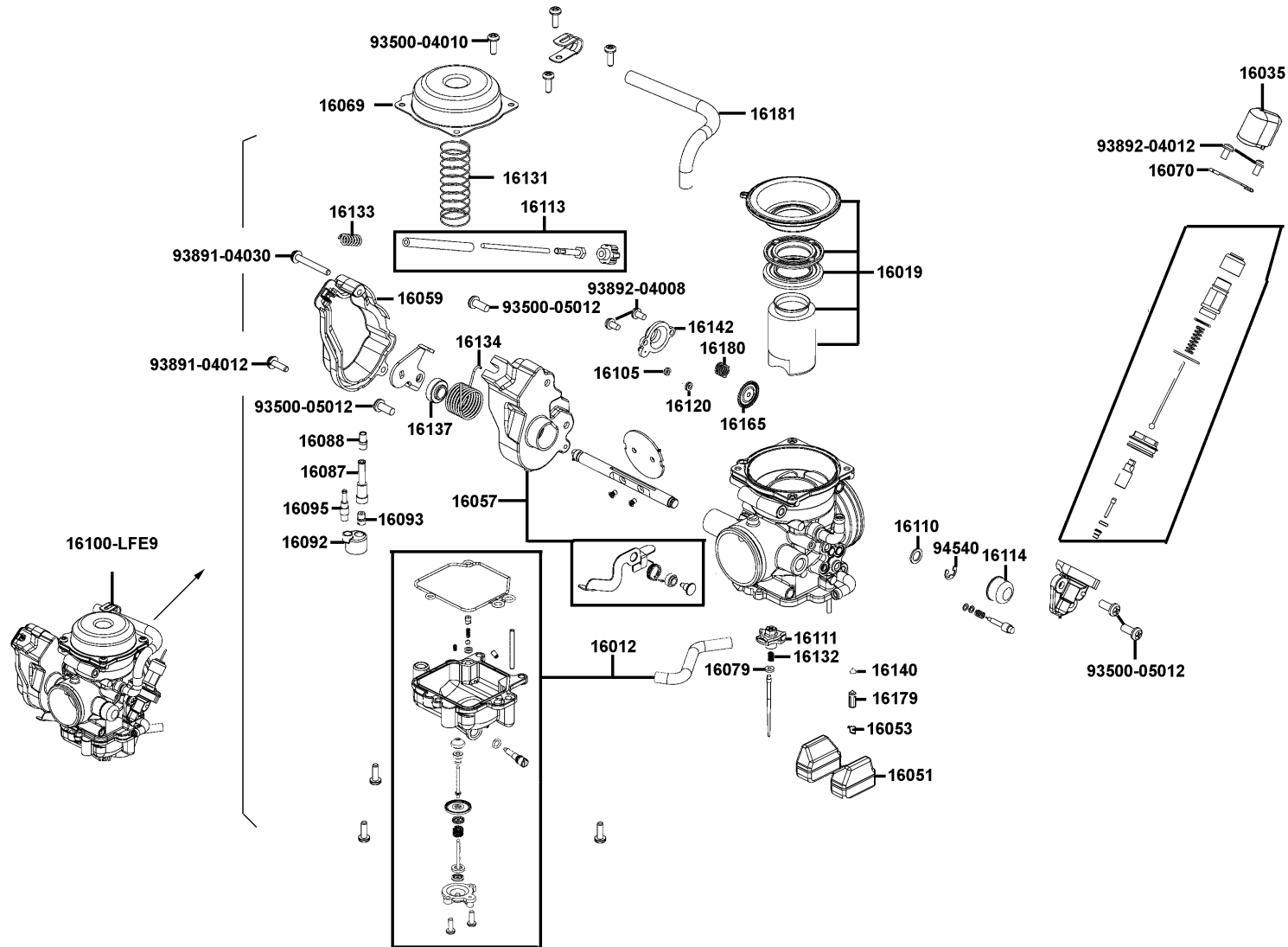
Shaft Reduction



| Sales mark | Ref no | Part no | Description | Reg description | Regd no | E08 |
|------------|-------------|----------------|--------------------------------|--------------------------------|---------|------------|
| | 90319 | 90319-LDB5-E00 | SHIM FLNAL BEVEL GEAR I (1.0) | SHIM FLNAL BEVEL GEAR I (1.0) | 2 | |
| | 90320 | 90320-LDB5-E00 | SHIM FLNAL BEVEL GEAR J (1.05) | SHIM FLNAL BEVEL GEAR J (1.05) | 2 | |
| | 90321 | 90321-LDB5-E00 | SHIM FLNAL BEVEL GEAR K (1.1) | SHIM FLNAL BEVEL GEAR K (1.1) | 2 | |
| | 90322 | 90322-LDB5-E00 | SHIM FLNAL BEVEL GEAR L (1.15) | SHIM FLNAL BEVEL GEAR L (1.15) | 2 | |
| | 91107 | 91107-LDB5-E00 | BRG NEEDLE 20*28*23 | BRG NEEDLE 20*28*23 | 1 | |
| | 91302 | 91302-LDB5-E00 | O-RING 22MM | O-RING 22MM | 1 | |
| | 95002-02090 | 95002-02090 | CLIP B9 TUBE | CLIP B9 TUBE | 1 | |
| | 95002-40950 | 95002-40950-08 | CLAMP D9.5 TUBE | CLAMP D9.5 TUBE | 2 | |
| | 95008 | 95008-PWB1-900 | HOSE VENT-GEARCASE (64mm) | HOSE VENT-GEARCASE (64mm) | 1 | |



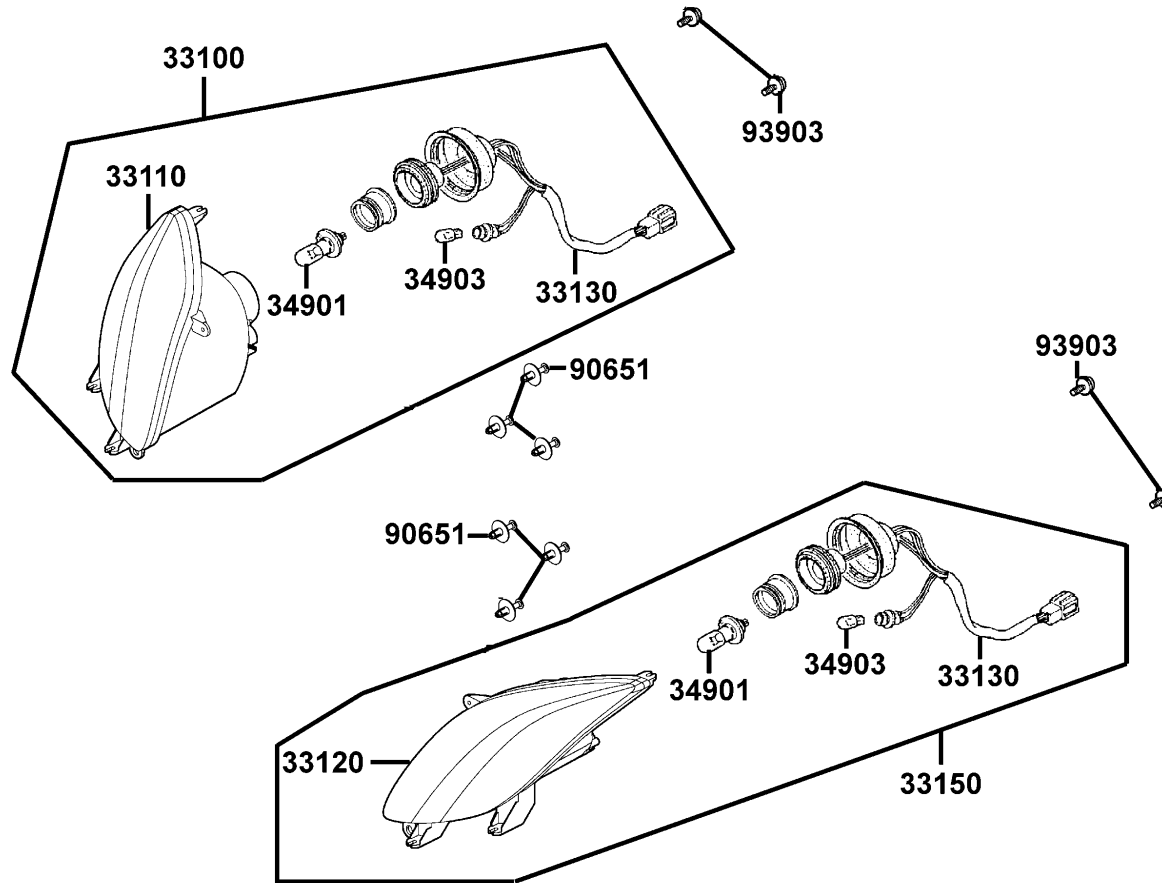
| Sales mark | Ref no | Part no | Description | Reg description | Regd no | E09 |
|------------|------------|----------------|---------------------------------|---------------------------------|---------|------------|
| | 16012 | 16012-LDB5-E00 | CHAMBER COMPL FLOAT | CHAMBER COMPL FLOAT | 1 | |
| | 16019 | 16019-LDB5-E00 | "VALVE ASSY, PISTON" | "VALVE ASSY, PISTON" | 1 | |
| | 16035 | 16035-LFE9-900 | UNIT BY-ST | UNIT BY-ST | 1 | |
| | 16051 | 16051-KGC5-90A | BODY FLOAT | BODY FLOAT | 1 | |
| | 16053 | 16053-KEC3-900 | PIN FLOAT | PIN FLOAT | 1 | |
| | 16057 | 16057-LDB5-E00 | "BODY, LEVER ASSY" | "BODY, LEVER ASSY" | 1 | |
| ** | 16059 | 16059-LDB5-E00 | "COVER, WIRE STAY" | "COVER, WIRE STAY" | 1 | |
| | 16069 | 16069-LDB5-E00 | "COVER, PISTON VALVE DIAPHRAGM" | "COVER, PISTON VALVE DIAPHRAGM" | 1 | |
| | 16070 | 16070-LDB5-E00 | STOPPER BY-ST | STOPPER BY-ST | 1 | |
| | 16079 | 16079-LDB5-E00 | NEEDLE ASSY JET | NEEDLE ASSY JET | 1 | |
| | 16087 | 16087-LFE9-E00 | TUBE EMUSSION | TUBE EMUSSION | 1 | |
| | 16088 | 16088-KEC3-900 | JET NEEDLE | JET NEEDLE | 1 | |
| | 16092 | 16092-LDB5-E00 | "FILTER, JET MAIN" | "FILTER, JET MAIN" | 1 | |
| | 16093 | 16093-KEC3-900 | JET MAIN | JET MAIN | 1 | |
| | 16095 | 16095-KEC3-900 | JET SLOW | JET SLOW | 1 | |
| | 16100-LFE9 | 16100-LFE9-E00 | CARBURETOR ASSY | CARBURETOR ASSY | 1 | |
| | 16105 | 16105-LDB5-E00 | COLLAR | COLLAR | 1 | |
| | 16110 | 16110-KGC5-900 | WASHER THROTTLE ASSY | WASHER THROTTLE ASSY | 1 | |
| | 16111 | 16111-KHE7-900 | STOPPER JET NEEDLE SPG | STOPPER JN SPG | 1 | |
| | 16113 | 16113-LDB5-E00 | CABLE PILOT SCREW | CABLE PILOT SCREW | 1 | |



| Sales mark | Ref no | Part no | Description | Reg description | Regd no | E09 |
|-------------|--------|----------------|---------------------------|---------------------------|---------|------------|
| 16114 | | 16114-KEC3-900 | SHAFT COVER | SHAFT COVER | 1 | |
| 16120 | | 16120-KEC3-900 | O-RING ACCP | O-RING ACCP | 1 | |
| 16131 | | 16131-LDB5-E00 | "SPRING, VACCUM PISTON" | "SPRING, VACCUM PISTON" | 1 | |
| 16132 | | 16132-KEC3-900 | SPG JET NEEDLE | SPG JET NEEDLE | 1 | |
| 16133 | | 16133-LDB5-E00 | "SPG, THROTTLE ADJ SCREW" | "SPG, THROTTLE ADJ SCREW" | 1 | |
| 16134 | | 16134-LDB5-E00 | "SPG, THROTTLE SHAFT" | "SPG, THROTTLE SHAFT" | 1 | |
| 16137 | | 16137-LDB5-E00 | COLLAR LEVER | COLLAR LEVER | 1 | |
| 16140 | | 16140-KEC3-900 | CLIP FLOAT VALVE | CLIP FLOAT VALVE | 1 | |
| 16142 | | 16142-KGC5-900 | COVER ACV | COVER ACV | 1 | |
| 16165 | | 16165-KGC5-900 | DIAPHRAGM | DIAPHRAGM | 1 | |
| 16179 | | 16179-LDB5-E00 | VALVE ASSY FLOAT | VALVE ASSY FLOAT | 1 | |
| 16180 | | 16180-KGC5-900 | SPG ACV | SPG ACV | 1 | |
| 16181 | | 16181-LDB5-E00 | "TUBE , AIR VENT" | "TUBE , AIR VENT" | 1 | |
| 93500-04010 | | 93500-04010-1A | SCREW 4*10 | SCREW PAN 3*10 | 4 | |
| 93500-05012 | | 93500-05012-1A | SCREW 5*12 | SCREW 5*12 | 4 | |
| 93891-04012 | | 93891-04012-07 | SCREW WASH 4X12 | SCREW WASH 4X12 | 1 | |
| 93891-04030 | | 93891-04030-08 | "SCREW-WASH., 4x30" | "SCREW-WASH., 4x30" | 1 | |
| 93892-04008 | | 93892-04008-18 | SCREW WASHER | SCREW WASHER | 1 | |
| 93892-04012 | | 93892-04012-08 | SCREW WASHER 4*12 | SCREW WASHER 4*12 | 2 | |
| 94540 | | 94540-50029 | E CLIP SHAFT | E CLIP SHAFT | 1 | |

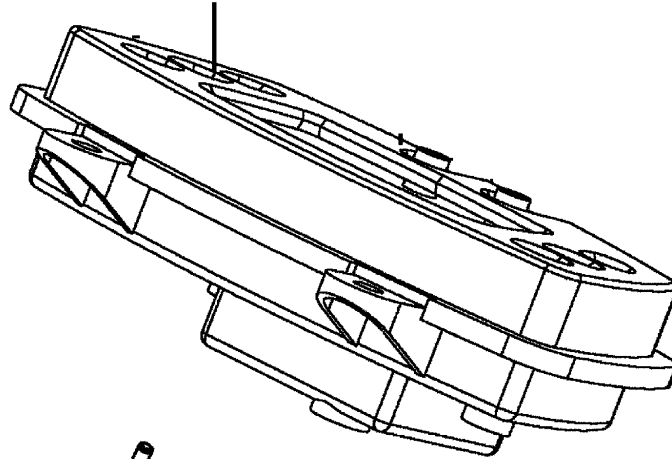
F01

Head Light

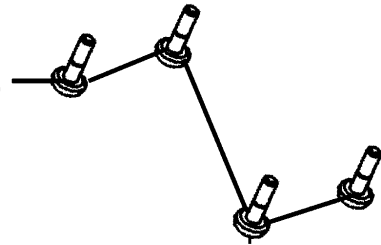


| Sales mark | Ref no | Part no | Description | Reg description | Regd no | F01 |
|------------|--------|----------------|--------------------|--------------------|---------|------------|
| | 33100 | 33100-LDB5-E00 | LIGHT ASSY R HEAD | LIGHT ASSY R HEAD | 1 | |
| | 33110 | 33110-LDB5-E00 | UNIT HEAD LIGHT R | UNIT HEAD LIGHT R | 1 | |
| | 33120 | 33120-LDB5-E00 | UNIT HEAD LIGHT L | UNIT HEAD LIGHT L | 1 | |
| | 33130 | 33130-LDB5-E00 | SOCKET COMP | SOCKET COMP | 2 | |
| | 33150 | 33150-LDB5-E00 | LIGHT ASSY L HEAD | LIGHT ASSY L HEAD | 1 | |
| | 34901 | 34901-KFA6-900 | BULB HEAD LIGHT | BULB HEAD LIGHT | 2 | |
| | 34903 | 34903-KPCP-900 | BULB POSITION | BULB POSITION | 2 | |
| | 90651 | 90651-LCA5-E00 | CLIP FENDER | CLIP FENDER | 6 | |
| | 93903 | 93903-35360 | SCREW TAPPING 5*16 | SCREW TAPPING 5*16 | 4 | |

37200-LFE9-90A
37200-LFE9-90B



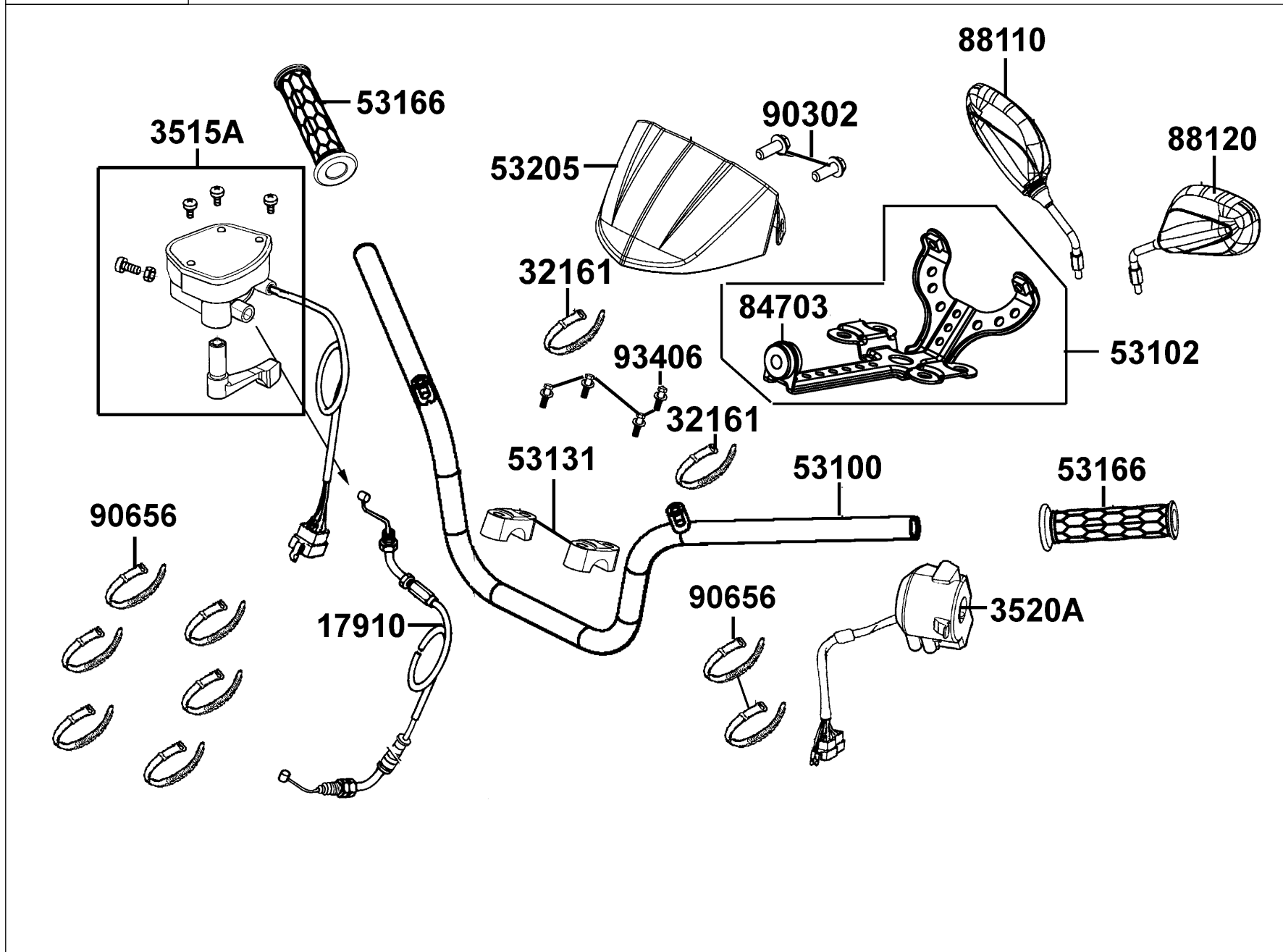
93903



| Sales mark | Ref no | Part no | Description | Reg description | Regd no | F02 |
|------------|----------------|----------------|--------------------|--------------------|---------|------------|
| | 37200-LFE9-E0A | 37200-LFE9-E0A | METER ASSY SPEED | METER ASSY SPEED | 1 | |
| | 37200-LFE9-E0B | 37200-LFE9-E0B | METER ASSY SPEED | METER ASSY SPEED | 1 | |
| | 93903 | 93903-35360 | SCREW TAPPING 5*16 | SCREW TAPPING 5*16 | 4 | |

F03

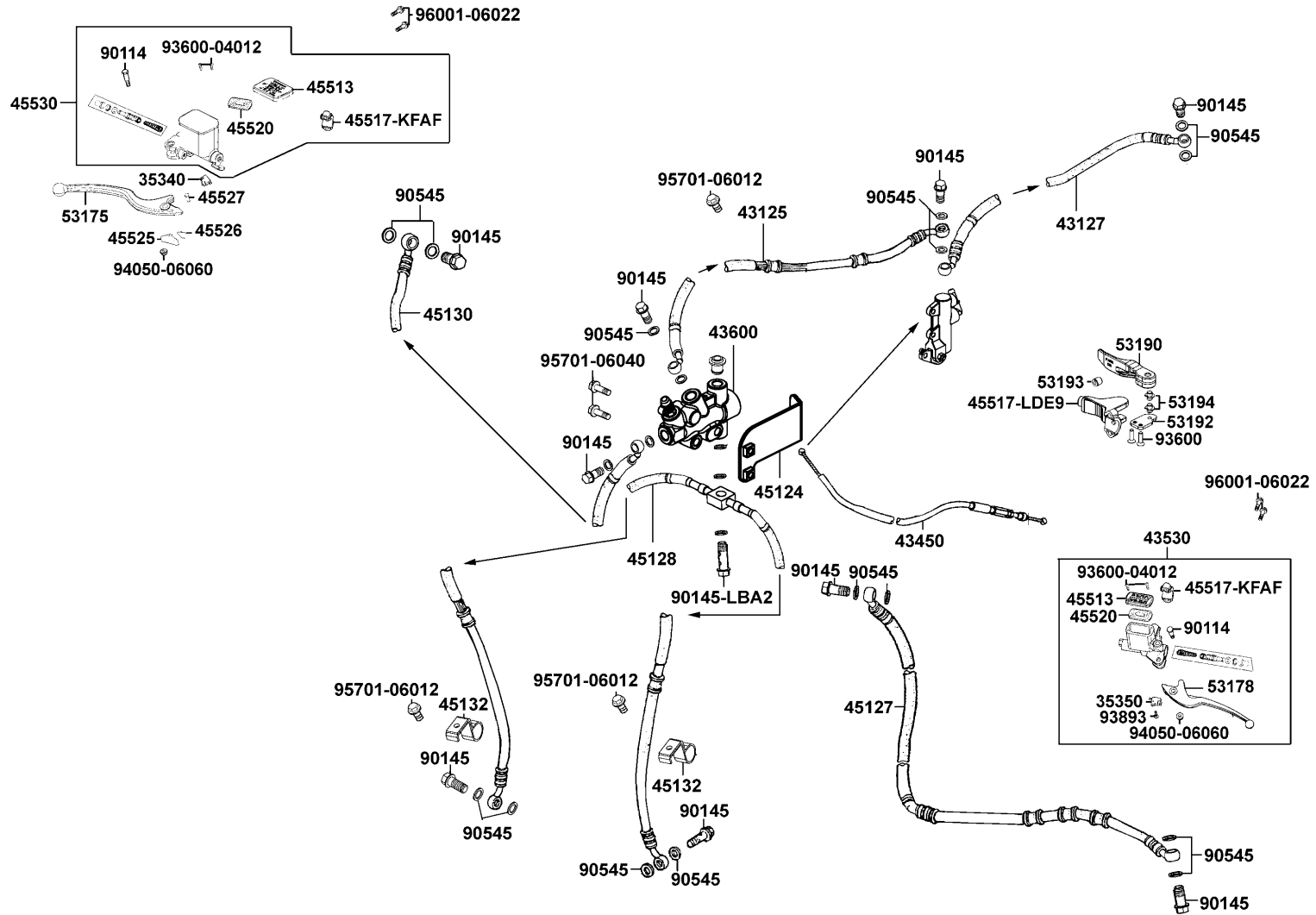
Handle Steering



| Sales mark | Ref no | Part no | Description | Reg description | Regd no | F03 |
|------------|--------|----------------|-------------------------|-------------------------|---------|------------|
| | 17910 | 17910-LDB5-E00 | CABLE COMP THROT | CABLE COMP THROT | 1 | |
| | 32161 | 32161-4D04-001 | BAND BI WIRE | BAND BI WIRE | 2 | |
| | 3515A | 3515A-LFE9-E00 | SW & THROT ASSY RH HNDL | SW & THROT ASSY RH HNDL | 1 | |
| | 3520A | 3520A-LDB5-E00 | SW ASSY HANDLE COMP | SW ASSY HANDLE COMP | 1 | |
| | 53100 | 53100-LFE9-E00 | HANDLEBAR | HANDLEBAR | 1 | |
| | 53102 | 53102-LFE9-E00 | STAY HANDLE COVER | STAY HANDLE COVER | 1 | |
| | 53131 | 53131-4K39-001 | HOLDER HANDLE PIPE | HOLDER HANDLE PIPE | 2 | |
| | 53166 | 53166-LDB5-E00 | GRIP HANDLE | GRIP HANDLE | 2 | |
| ** | 53205 | 53205-LDB5-E00 | COVER HANDLE | COVER HANDLE | 1 | |
| | 84703 | 84703-LLB1-900 | RUBBER TAIL LIGHT | RUBBER TAIL LIGHT | 1 | |
| | 88110 | 88110-LBA7-E00 | MIRROR ASSY R BACK | MIRROR ASSY R BACK | 1 | |
| | 88120 | 88120-LBA7-E00 | MIRROR ASSY L BACK | MIRROR ASSY L BACK | 1 | |
| | 90302 | 90302-GFY6-940 | BOLT-WASH 5*16 | BOLT- WASH 5*16 | 2 | |
| | 90656 | 90656-KCBC-900 | BAND OIL HOSE | BAND OIL HANDLE | 8 | |
| | 93406 | 93406-LLB1-900 | BOLT-WASHER 8*35 | BOLT-WASHER 8*35 | 4 | |

F04

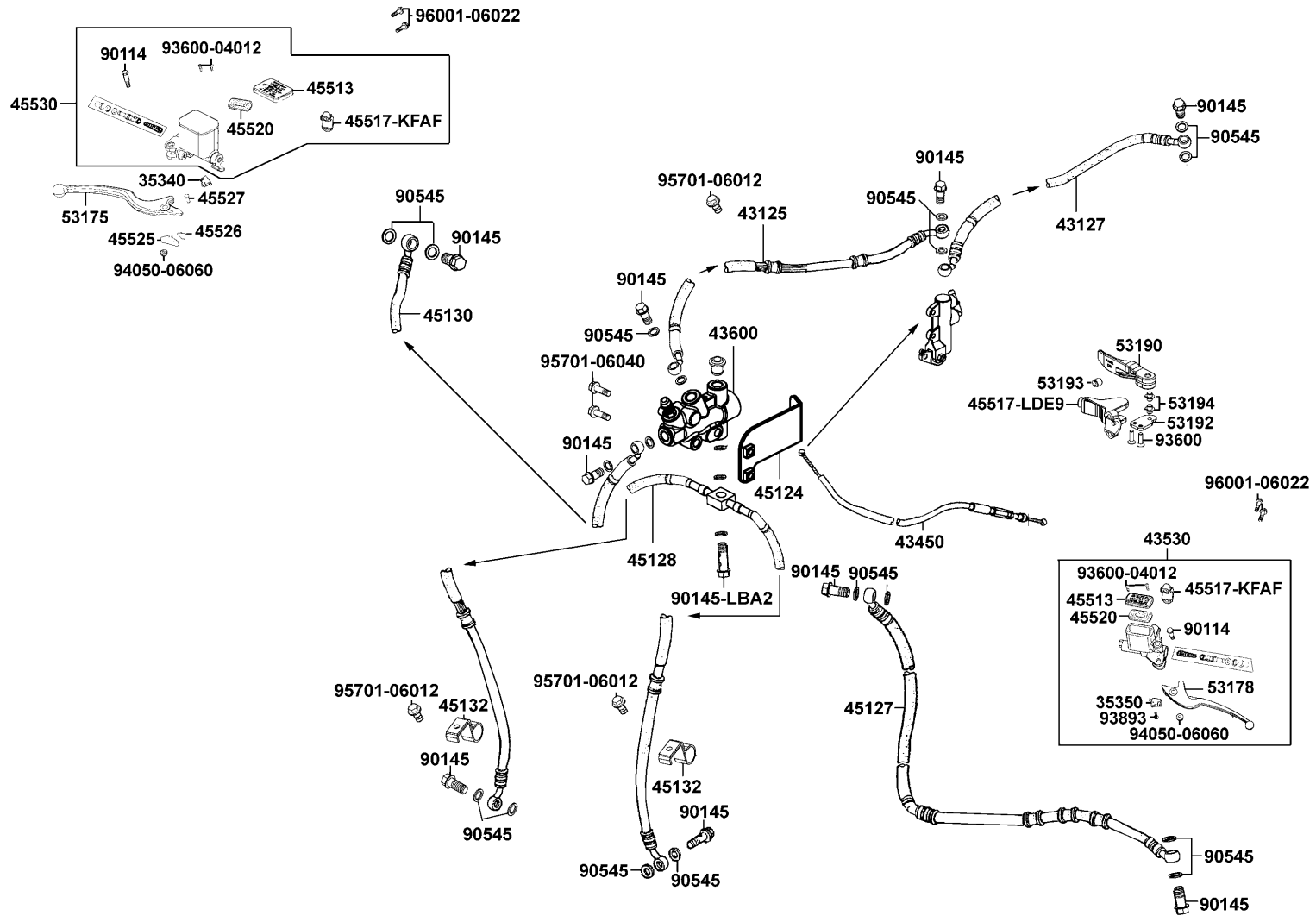
Master Cylinder



| Sales mark | Ref no | Part no | Description | Reg description | Regd no | F04 |
|------------|------------|----------------|------------------------|------------------------|---------|------------|
| | 35340 | 35340-LDB5-900 | SW ASSY FR STOP | SW ASSY FR STOP | 1 | |
| | 35350 | 35350-KNBN-901 | SW ASSY RR STOP | SW ASSY RR STOP | 1 | |
| | 43125 | 43125-LFE9-E00 | HOSE ASSY BRAKE | HOSE ASSY BRAKE | 1 | |
| | 43127 | 43127-LFE9-E00 | HOSE ASSY RR BRAKE | HOSE ASSY RR BRAKE | 1 | |
| | 43450 | 43450-LFE9-E00 | CABLE PARKING BRAKE | CABLE PARKING BRAKE | 1 | |
| | 43530 | 43530-LFE9-305 | CYLINDER SET RR NASTER | CYLINDER SET RR NASTER | 1 | |
| | 43600 | 43600-LDB5-E00 | PGV ASSY | PGV ASSY | 1 | |
| | 45124 | 45124-LFE9-E00 | STAY PGV | STAY PGV | 1 | |
| | 45127 | 45127-LFE9-E00 | HOSE ASSY RR BRAKE | HOSE ASSY RR BRAKE | 1 | |
| | 45128 | 45128-LFE9-E00 | HOSE ASSY FR BRAKE | HOSE ASSY FR BRAKE | 1 | |
| | 45130 | 45130-LFE9-E00 | HOSE ASSY FR BRAKE-RH | HOSE ASSY FR BRAKE-RH | 1 | |
| | 45132 | 45132-LBA7-900 | CLAMPER FR BRAKE HOSE | CLAMPER FR BRAKE HOSE | 2 | |
| | 45513 | 45513-KKC4-900 | CAP M/C | CAP M/C | 2 | |
| | 45517-KFAF | 45517-KFAF-910 | HOLDER M/C | HOLDER M/C | 2 | |
| | 45517-LDE9 | 45517-LDE9-E00 | HOLDER | HOLDER | 1 | |
| | 45520 | 45520-KKC4-900 | DIAPHRAGM | DIAPHRAGM | 2 | |
| | 45525 | 45525-LBA7-900 | STOPPER | STOPPER | 1 | |
| | 45526 | 45526-LBA7-900 | SPRING | SPRING | 1 | |
| | 45527 | 45527-LBA7-900 | PIN PARK | PIN PARK | 1 | |
| | 45530 | 45530-LDB5-305 | CYLINDER SET FR | CYLINDER SET FR | 1 | |

F04

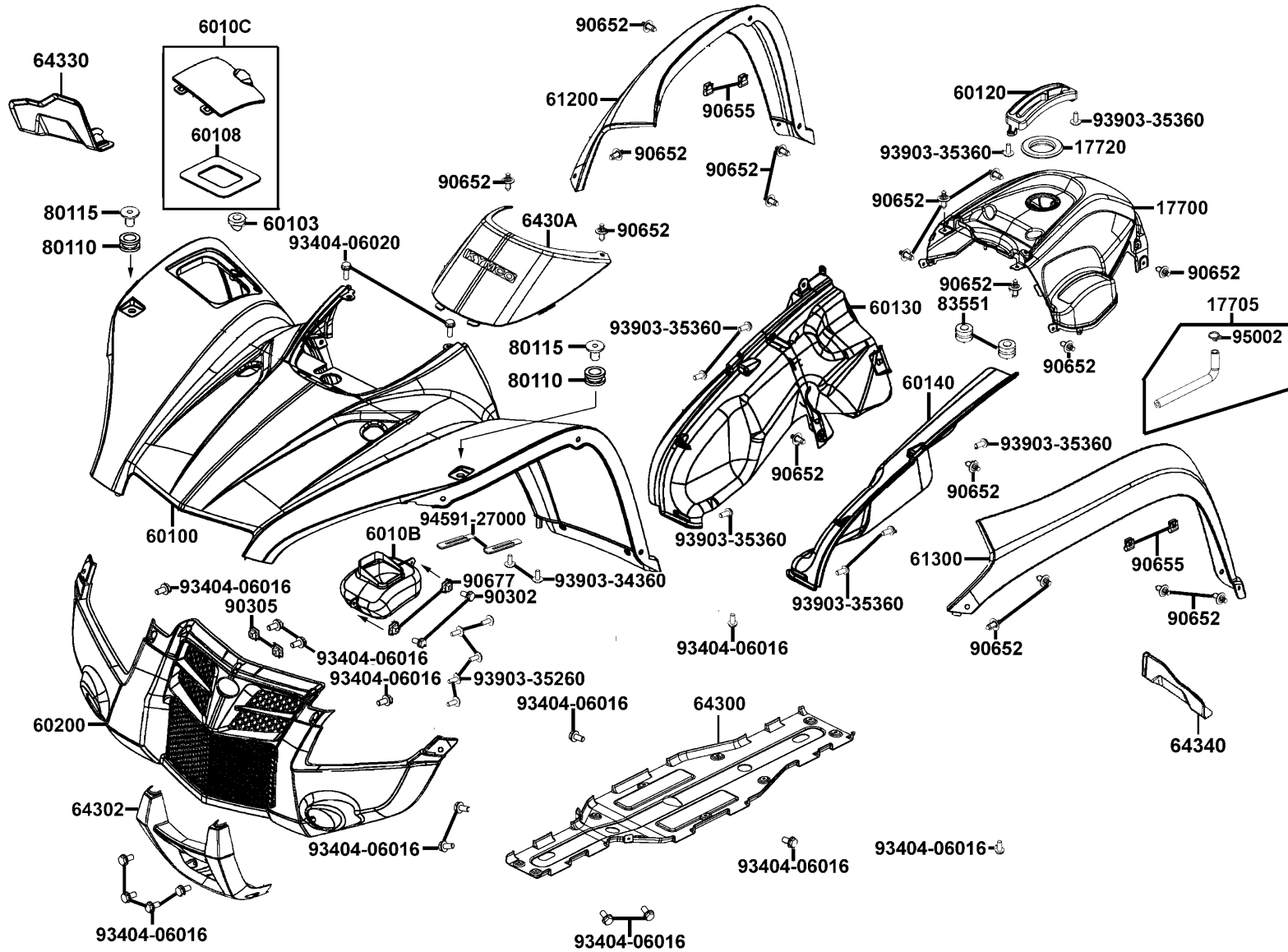
Master Cylinder



| Sales mark | Ref no | Part no | Description | Reg description | Regd no | F04 |
|-------------|--------|-------------------|-------------------|---------------------|---------|------------|
| 53175 | | 53175-LDB5-900 | LEVER R STRG HNDL | LEVER R STRG HNDL | 1 | |
| 53190 | | 53190-LDE9-E00 | LEVER | LEVER | 1 | |
| 53192 | | 53192-LDE9-E00 | BRACKET | BRACKET | 1 | |
| 53193 | | 53193-LDE9-E00 | STOPPER | STOPPER | 1 | |
| 53194 | | 53194-LDE9-E00 | PIVOT | PIVOT | 2 | |
| 90114 | | 90114-1F66-007 | BOLT HANDLE LEVER | BOLT HANDLE LEVER | 2 | |
| 90145-LBA2 | | 90145-LBA2-E00 | OIL BOLT 10*33 | OIL BOLT 10*33 | 1 | |
| 90145-MKS9 | | 90145-MKS9-61A-06 | OIL BOLT 10*22 | OIL BOLT 10*22 | 9 | |
| 90545 | | 90545-3L00-001 | WASHER OIL BOLT | WASHER OIL BOLT | 21 | |
| 93600-04012 | | 93600-04012-1G | SCREW FLAT 4*12 | SCREW FLAT 4*12 | 4 | |
| 93600 | | 93600-LDE9-E00 | SCREW FLAT M6 | SCREW FLAT M6 | 2 | |
| 93893 | | 93893-04012-18 | SCREW WASHER 4*12 | SCREW WASHER 4*12 | 1 | |
| 94050-06060 | | 94050-06060 | NUT FLANGE 6MM | NUT FLANGE 6MM | 2 | |
| 95701-06012 | | 95701-06012-06 | BOLT FLANGE 6*12 | BOLT FLANGE 6*12 | 2 | |
| 95701-06040 | | 95701-06040-06 | BOLT FLANGE 6*40 | BOLT FLANGE 6*40 | 2 | |
| 96001-06022 | | 96001-06022-06 | BOLT FLANGE 6*20 | BOLT FLANGE SH 6*22 | 4 | |

F05

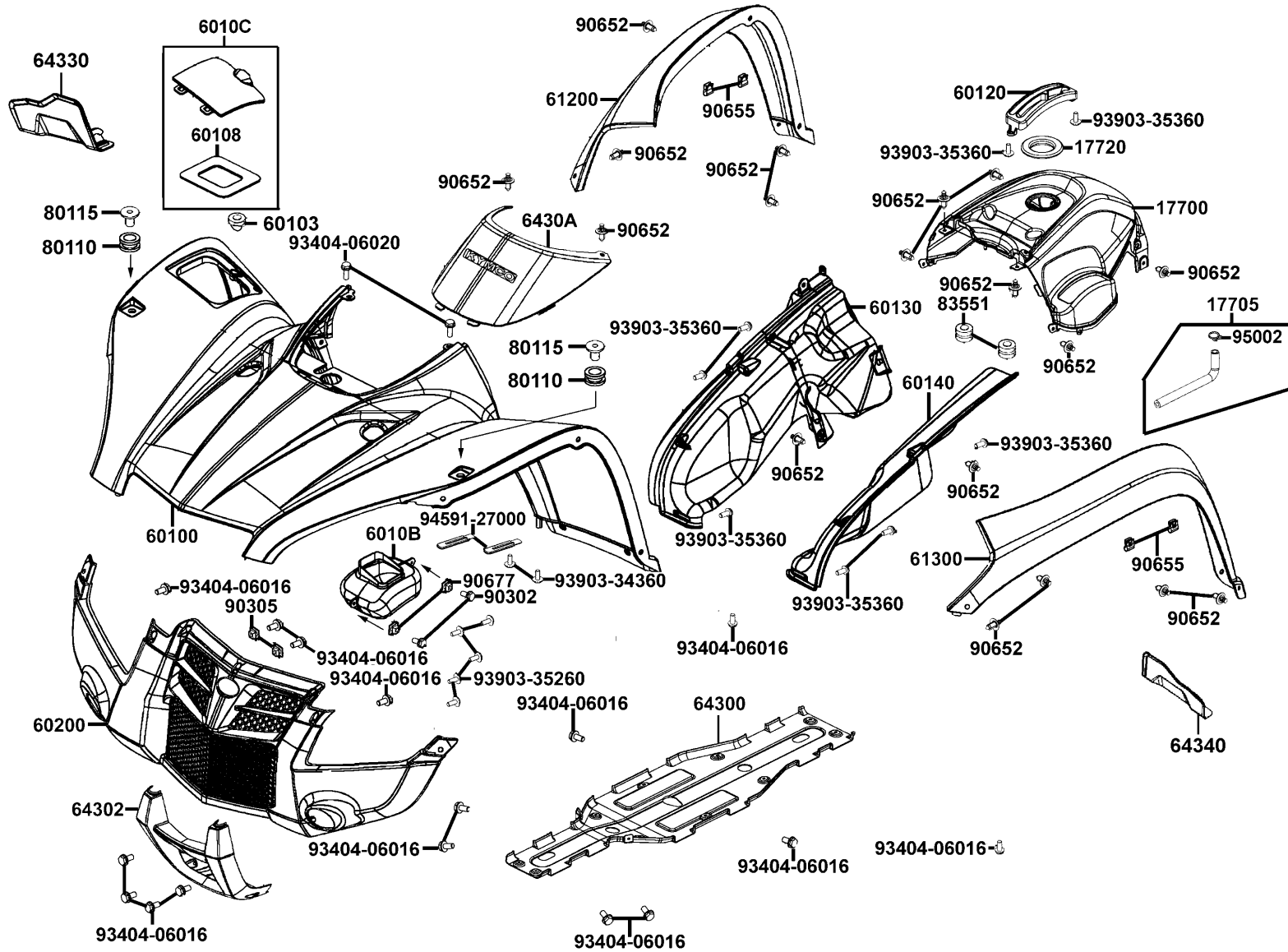
Fender Front



| Sales mark | Ref no | Part no | Description | Reg description | Regd no | F05 |
|------------|--------|----------------|---------------------------|---------------------------|---------|-----|
| ** | 17700 | 17700-LDB5-E00 | COVER TANK | COVER TANK | 1 | |
| | 17705 | 17705-LDB5-E00 | TUBE ASSY FUEL DRAIN | TUBE ASSY FUEL DRAIN | 1 | |
| | 17720 | 17720-LBA7-900 | TRAY TANK COVER | TRAY TANK COVER | 1 | |
| ** | 60100 | 60100-LDB5-E00 | FENDER FRONT | FENDER FRONT | 1 | |
| | 60103 | 60103-LFE9-E00 | CATCH LID | CATCH LID | 1 | |
| | 60108 | 60108-LDB5-E00 | SEAL LID | SEAL LID | 1 | |
| | 6010B | 6010B-LDB5-E00 | BOX ASSY TOOL | BOX ASSY TOOL | 1 | |
| ** | 6010C | 6010C-LDB5-E00 | LID ASSY TOOL BOX | LID ASSY TOOL BOX | 1 | |
| ** | 60120 | 60120-LDB5-E00 | GUIDE COVER CHANGE HANDLE | GUIDE COVER CHANGE HANDLE | 1 | |
| ** | 60130 | 60130-LFE9-E00 | PROTECTOR R | PROTECTOR R | 1 | |
| ** | 60140 | 60140-LFE9-E00 | PROTECTOR L | PROTECTOR L | 1 | |
| ** | 60200 | 60200-LDB5-E00 | MUDGUARD FRONT | MUDGUARD FRONT | 1 | |
| ** | 61200 | 61200-LDB5-E00 | MUDGUARD R FR SIDE | MUDGUARD R FR SIDE | 1 | |
| ** | 61300 | 61300-LDB5-E00 | MUDGUARD L FR SIDE | MUDGUARD L FR SIDE | 1 | |
| ** | 64300 | 64300-LFE9-E00 | PLATE SKID | PLATE SKID | 1 | |
| ** | 64302 | 64302-LDB5-E00 | BUMPER FRONT | BUMPER FRONT | 1 | |
| ** | 6430A | 6430A-LDB5-E00 | COVER ASSY FRONT | COVER ASSY FRONT | 1 | |
| ** | 64330 | 64330-LFE9-E00 | GUARD R BOOT | GUARD R BOOT | 1 | |
| ** | 64340 | 64340-LFE9-E00 | GUARD L BOOT | GUARD L BOOT | 1 | |
| | 80110 | 80110-LDB5-900 | RUBBER FENDER | RUBBER FENDER | 2 | |

F05

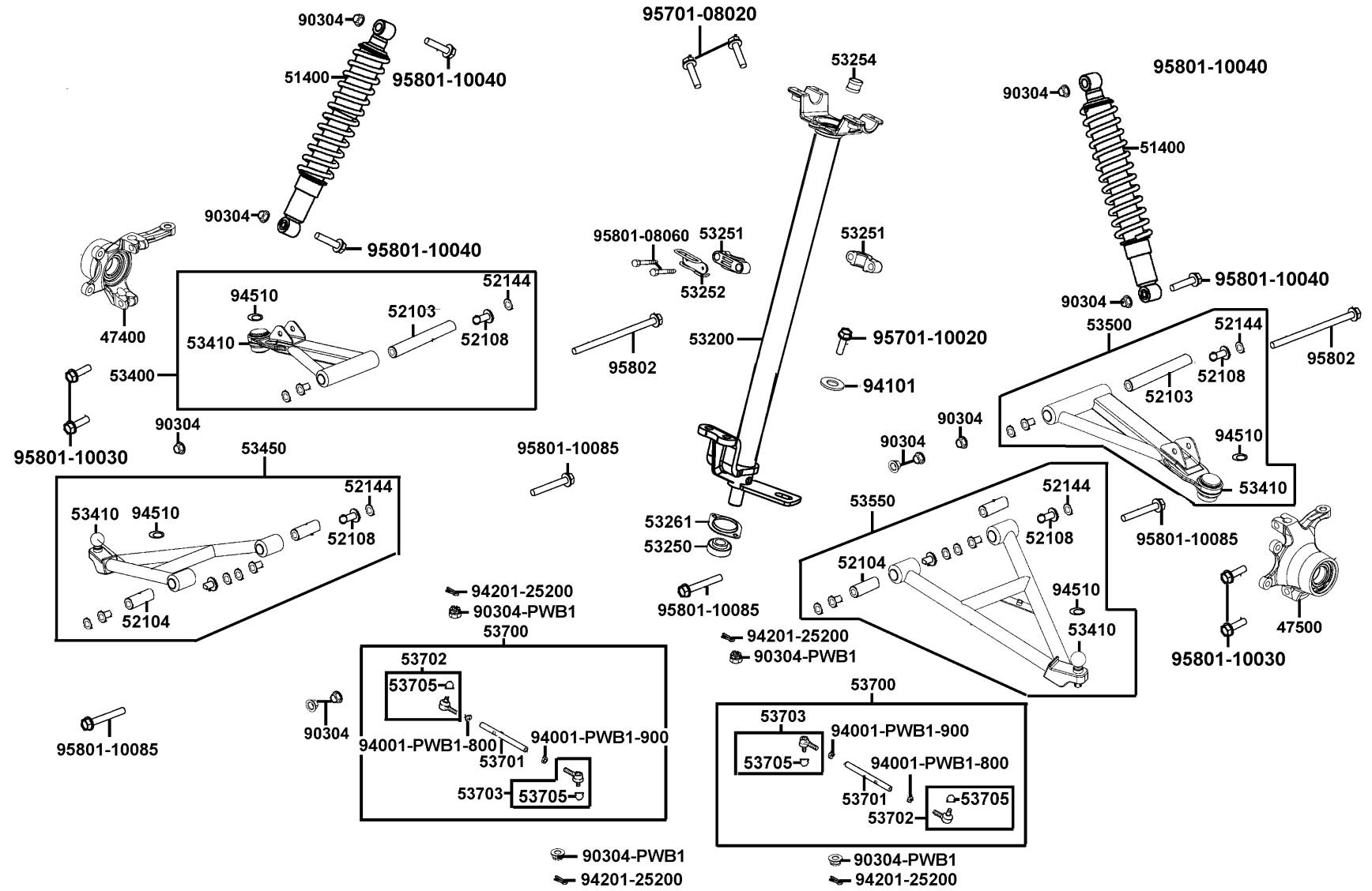
Fender Front



| Sales mark | Ref no | Part no | Description | Reg description | Regd no | F05 |
|-------------|--------|----------------|----------------------|----------------------|---------|------------|
| 80115 | | 80115-LDB5-900 | COLLAR FENDER | COLLAR FENDER | 2 | |
| 83551 | | 83551-LDB5-E00 | GROMMET COVER | GROMMET COVER | 3 | |
| 90302 | | 90302-PWA1-900 | BOLT-WASH 5*16 | BOLT-WASH 5*16 | 2 | |
| 90305 | | 90305-GHK8-001 | NUT CLIP 6MM | NUT CLIP 6MM | 2 | |
| 90652 | | 90652-LCA4-E00 | CLIP MUDGUARD | CLIP MUDGUARD | 18 | |
| 90655 | | 90655-PWA2-900 | CLIP FENDER MOUNTING | CLIP FENDER MOUNTING | 4 | |
| 90677 | | 90677-GAR1-004 | NUT CLIP 5MM | NUT CLIP 5MM | 2 | |
| 93404-06016 | | 93404-06016-06 | BOLT WASHER 6*16 | BOLT WASHER 6*16 | 18 | |
| 93404-06020 | | 93404-06020-06 | BOLT WASH 6*20 | BOLT WASHER 6*20 | 2 | |
| 93903-34360 | | 93903-34360 | SCREW TAPPING 4*12 | SCREW TAPPING 4*12 | 2 | |
| 93903-35260 | | 93903-35260 | SCREW TAPPING 5*12 | SCREW TAPPING 5*12 | 5 | |
| 93903-35360 | | 93903-35360 | SCREW TAPPING 5*16 | SCREW TAPPING 5*16 | 8 | |
| 94591-27000 | | 94591-27000 | CLIP 2*70 | CLIP 2*70 | 2 | |
| 95002 | | 95002-02100 | CLIP B15 TUBE | CLIP B10 TUBE | 1 | |

F06

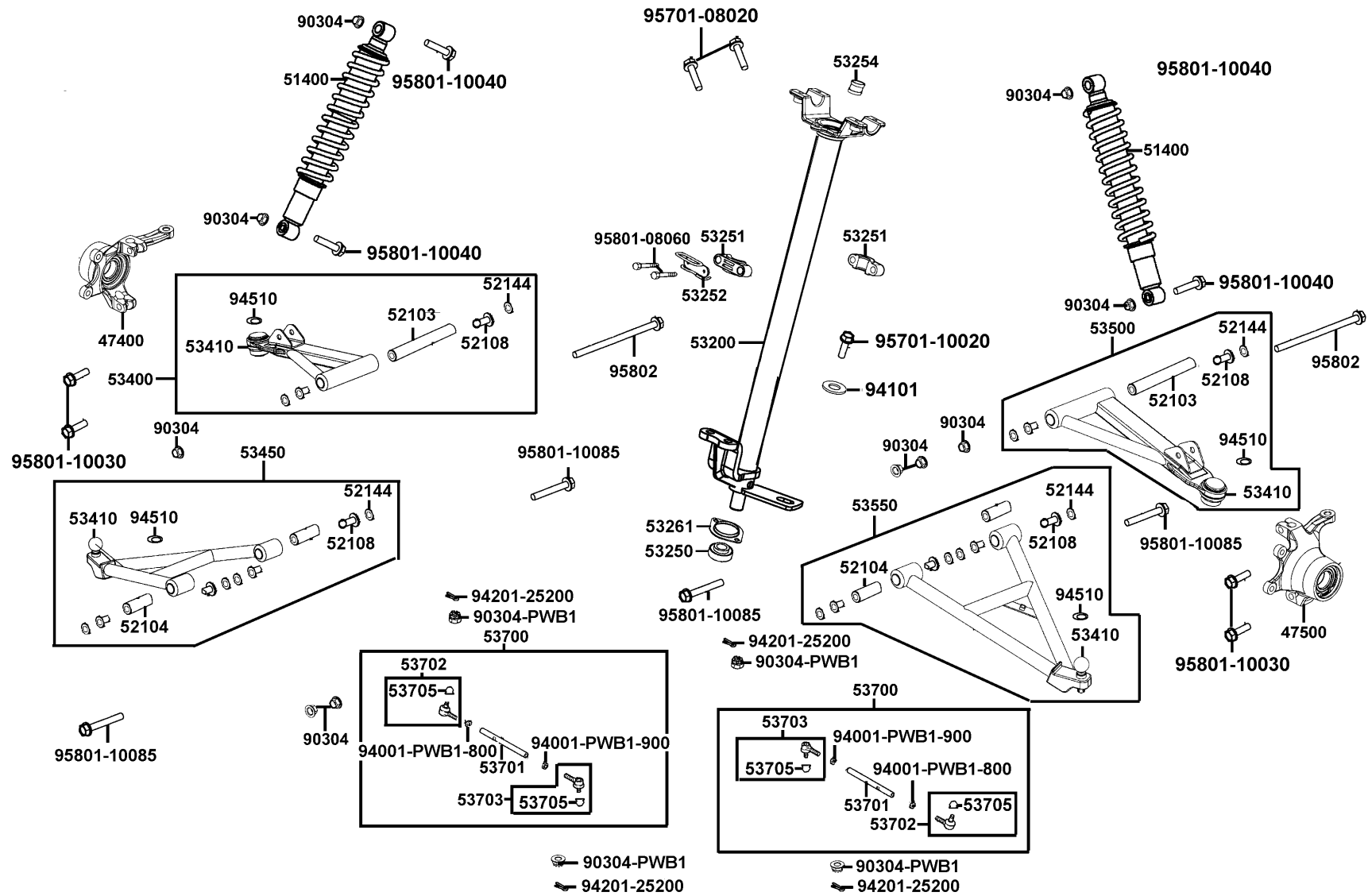
Stem Steering



| Sales mark | Ref no | Part no | Description | Reg description | Regd no | F06 |
|------------|--------|----------------|-------------------------------|-------------------------------|---------|------------|
| | 47400 | 47400-PWB1-900 | KNUCKLE STEERING ASSEMBLY | KNUCKLE STEERING ASSEMBLY | 1 | |
| | 47500 | 47500-PWB1-900 | KNUCKLE STEERING ASSEMBLY | KNUCKLE STEERING ASSEMBLY | 1 | |
| ** | 51400 | 51400-LFE9-E00 | CUSHION ASSY FR | CUSHION ASSY FR | 2 | |
| | 52103 | 52103-PWB1-900 | SLEEVE SUSPENSION | SLEEVE SUSPENSION | 2 | |
| | 52104 | 52104-PWB1-900 | SLEEVE SUSPENSION | SLEEVE SUSPENSION | 4 | |
| | 52108 | 52108-PWB1-900 | BUSHING SUSPENSION | BUSHING SUSPENSION | 12 | |
| | 52144 | 52144-PWB1-900 | SEAL SUSPENSION | SEAL SUSPENSION | 12 | |
| | 53200 | 53200-LFE9-E00 | POST STEERING | POST STEERING | 1 | |
| | 53250 | 53250-PWB1-900 | BEARING STEERING - LOW SPEED | BEARING STEERING - LOW SPEED | 1 | |
| | 53251 | 53251-LCA5-E00 | HOLDER STEM STEERING | HOLDER STEM STEERING | 2 | |
| | 53252 | 53252-LBA7-900 | CLAMPER STEM HOLDER | CLAMPER STEM HOLDER | 1 | |
| | 53254 | 53254-LBA7-900 | SLEEVE STEM | SLEEVE STEM | 1 | |
| | 53261 | 53261-PWB1-900 | FLANGE BEARING - TWO MTG HOLE | FLANGE BEARING - TWO MTG HOLE | 1 | |
| ** | 53400 | 53400-LFE9-E00 | A-ARM ASSY FR UPPER R/H | A-ARM ASSY FR UPPER R/H | 1 | |
| | 53410 | 53410-PWB1-900 | BALL JOINT ASSY | BALL JOINT ASSY | 4 | |
| ** | 53450 | 53450-LFE9-E00 | A-ARM ASSY FR LOWER RH | A-ARM ASSY FR LOWER RH | 1 | |
| ** | 53500 | 53500-LFE9-E00 | A-ARM ASSY FR UPPER LH | A-ARM ASSY FR UPPER LH | 1 | |
| ** | 53550 | 53550-LFE9-E00 | A-ARM ASSY FR LOWER LH | A-ARM ASSY FR LOWER LH | 1 | |
| | 53700 | 53700-LFE9-E00 | TIE ROD-ASSY | TIE ROD-ASSY | 2 | |
| | 53701 | 53701-LFE9-E00 | TIE ROD | TIE ROD | 2 | |

F06

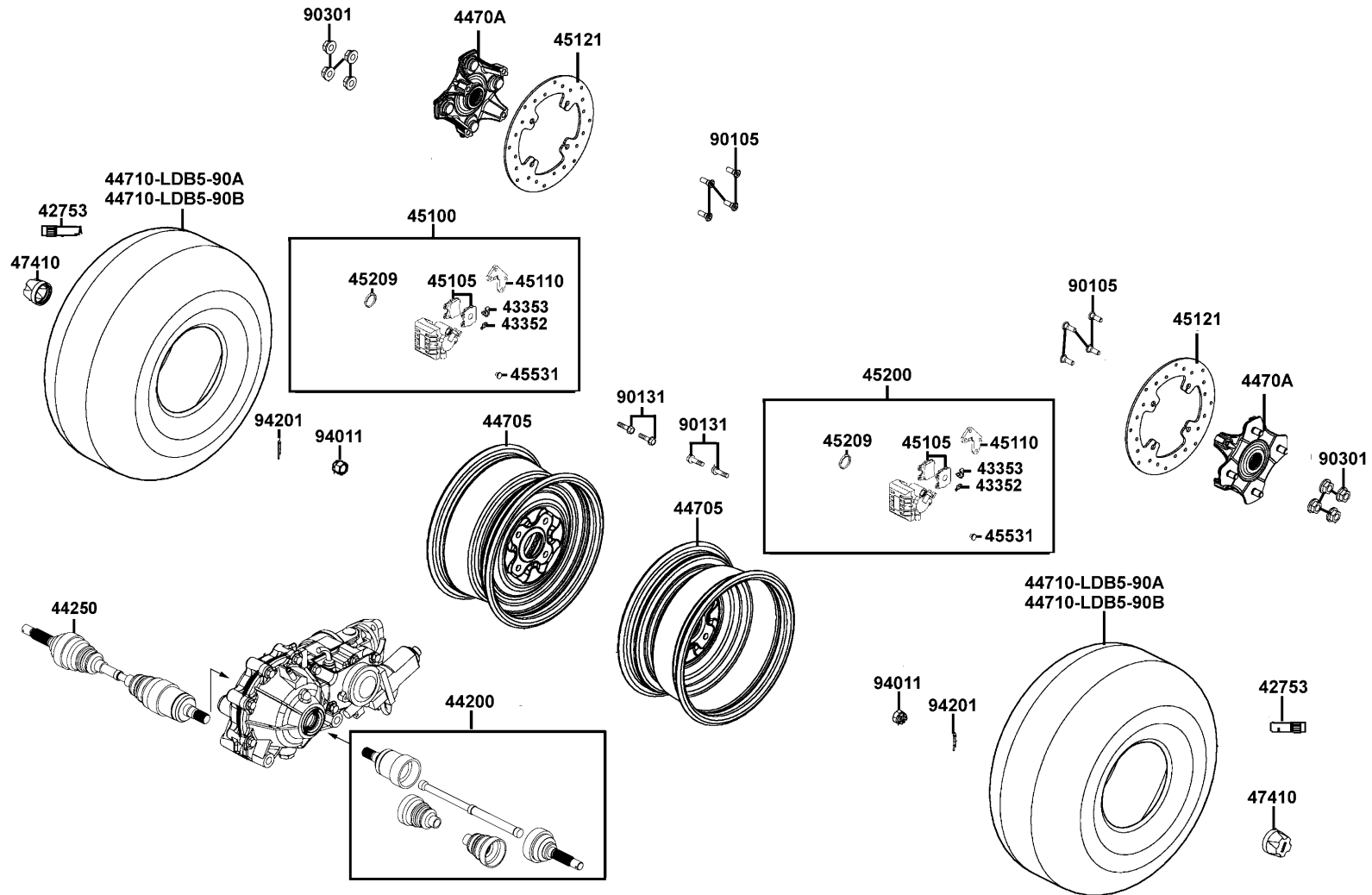
Stem Steering



| Sales mark | Ref no | Part no | Description | Reg description | Regd no | F06 |
|------------|----------------|----------------|------------------------|------------------------|---------|------------|
| | 53702 | 53702-LFE9-E00 | JOINT R BALL | JOINT R BALL | 2 | |
| | 53703 | 53703-LFE9-E00 | JOINT L BALL | JOINT L BALL | 2 | |
| | 53705 | 53705-PWB1-900 | BOLT BALL JOINT | BOLT BALL JOINT | 4 | |
| | 90304 | 90304-GHE8-004 | NUT U 10MM | NUT U 10MM | 10 | |
| | 90304 | 90304-PWB1-900 | NUT TOP LOCK | NUT TOP LOCK | 4 | |
| | 94001-PWB1-800 | 94001-PWB1-800 | NUT FLANGR 16mm | NUT FLANGR 16mm | 2 | |
| | 94001-PWB1-900 | 94001-PWB1-900 | NUT FLANGR 16mm | NUT FLANGR 16mm | 2 | |
| | 94101 | 94101-PWB1-900 | WASHER FLAT | WASHER FLAT | 1 | |
| | 94201-25200 | 94201-25200 | PIN SPLIT 2.5*20 | PIN SPLIT 2.5*20 | 4 | |
| | 94510 | 94510-PWB1-900 | "CIRCLIP EX, 29" | "CIRCLIP EX, 29" | 4 | |
| | 95701-08020 | 95701-08020-06 | BOLT FLANGE 8*20 | BOLT FLANGE 8*20 | 2 | |
| | 95701-10020 | 95701-10020-06 | BOLT FLANGE 10*20 | BOLT FLANGE 10*20 | 1 | |
| | 95801-08060 | 95801-08060-06 | BOLT FLANGE 8*60 | BOLT FLANGE 8*60 | 2 | |
| | 95801-10030 | 95801-10030-06 | BOLT FLANGE 10*30(G) | BOLT FLANGE 10*30(G) | 4 | |
| | 95801-10040 | 95801-10040-08 | BOLT FLANGE 10*40 | BOLT FLANGE 10*40 | 4 | |
| | 95801-10085 | 95801-10085-06 | BOLT FLANGE 10*85 | BOLT FLANGE 10*85 | 4 | |
| | 95802 | 95802-PWB1-900 | SCREW CAP-HFH M10x1.25 | SCREW CAP-HFH M10x1.25 | 2 | |

F07

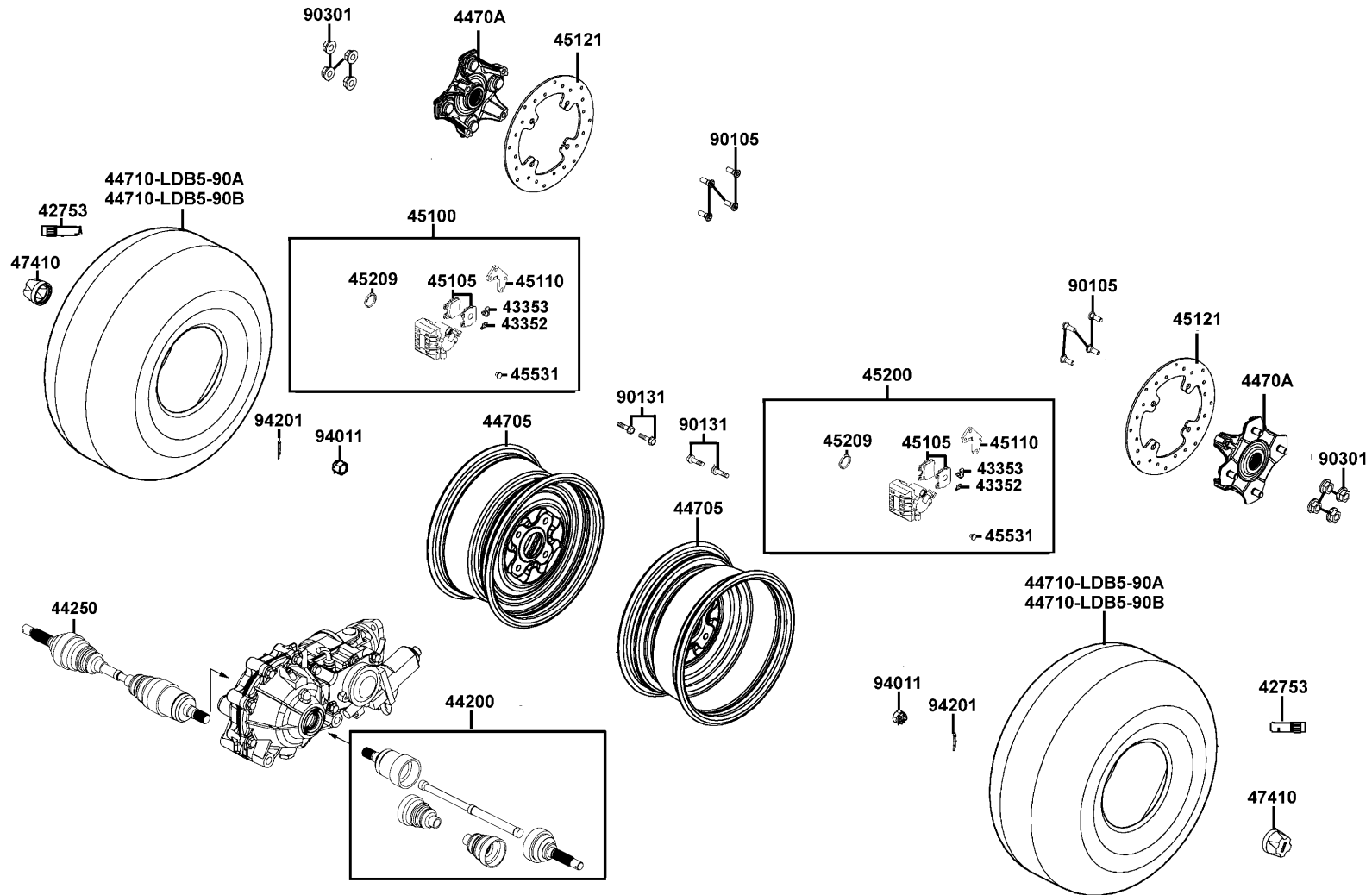
Front Wheel



| Sales mark | Ref no | Part no | Description | Reg description | Regd no | F07 |
|------------|----------------|----------------|---------------------------|---------------------------|---------|-----|
| | 42753 | 42753-KNBN-90B | VALVE (TR 412) & CAP (E) | VALVE RIM (TIR 412) | 2 | |
| | 43352 | 43352-KKD6-E90 | SCREW BLEEDER | SCREW BLEEDER | 2 | |
| | 43353 | 43353-4A61-77A | CAP BLEEDER | CAP BLEEDER | 2 | |
| | 44200 | 44200-LFE9-E00 | HALF SHAFT FRONT-RH | HALF SHAFT FRONT-RH | 1 | |
| | 44250 | 44250-LFE9-E00 | HALF SHAFT FRONT-LH | HALF SHAFT FRONT-LH | 1 | |
| ** | 44705 | 44705-LFE9-E00 | RIM COMP FR WHEEL | RIM COMP FR WHEEL | 2 | |
| | 4470A | 4470A-LFA5-E00 | HUB ASSEMBLY | HUB ASSEMBLY | 2 | |
| | 44710-LDB5-90A | 44710-LDB5-90A | TIRE ASSY FR | TIRE ASSY FR | 2 | |
| | 44710-LDB5-90B | 44710-LDB5-90B | TIRE ASSY FR | TIRE ASSY FR | 2 | |
| ** | 45100 | 45100-LFE9-E00 | CALIPER ASSY FR BRK-RH | CALIPER ASSY FR BRK-RH | 1 | |
| | 45105 | 45105-LFE9-305 | PAD SET | PAD SET | 2 | |
| | 45110 | 45110-LFE9-E00 | BRACKET | BRACKET | 2 | |
| | 45121 | 45121-PWB1-900 | DISK BRAKE | DISK BRAKE | 2 | |
| ** | 45200 | 45200-LFE9-E00 | CALIPER ASSY FR BRK-LH | CALIPER ASSY FR BRK-LH | 1 | |
| | 45209 | 45209-LFE9-E00 | SEAL PISTON | SEAL PISTON | 4 | |
| | 47410 | 47410-LDB5-E00 | CAP WHEEL SHAFT | CAP WHEEL SHAFT | 2 | |
| | 90105 | 90105-PWB1-900 | STUD WHEEL MOUNTING | STUD WHEEL MOUNTING | 8 | |
| | 90131 | 90131-LDB5-E00 | BOLT FLANGE 8*20 | BOLT FLANGE 8*20 | 4 | |
| | 90301 | 90301-PWB1-900 | NUT LUG-M10 (60 DEG) | NUT LUG-M10 (60 DEG) | 8 | |
| | 94011 | 94011-PWB1-900 | NUT CASTLE FLANGE M22x1.5 | NUT CASTLE FLANGE M22x1.5 | 2 | |

F07

Front Wheel

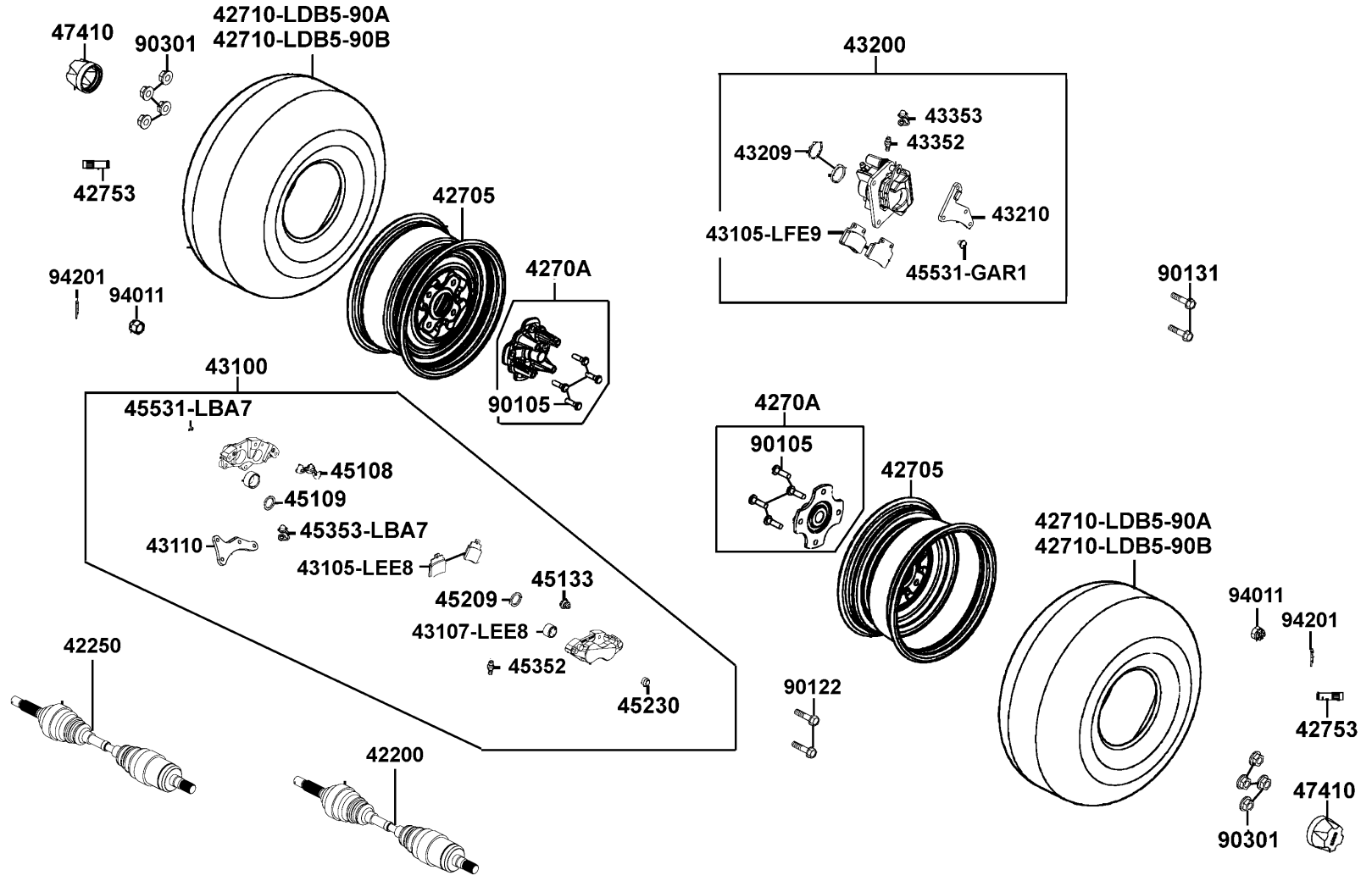


| Sales mark | Ref no | Part no | Description | Reg description | Regd no | F07 |
|------------|--------|---------|-------------|-----------------|---------|------------|
|------------|--------|---------|-------------|-----------------|---------|------------|

| | | | | | | |
|--|-------------|-------------|----------------|----------------|---|--|
| | 94201-30400 | 94201-30400 | PIN SPLIT 3*40 | PIN SPLIT 3*40 | 2 | |
|--|-------------|-------------|----------------|----------------|---|--|

F08

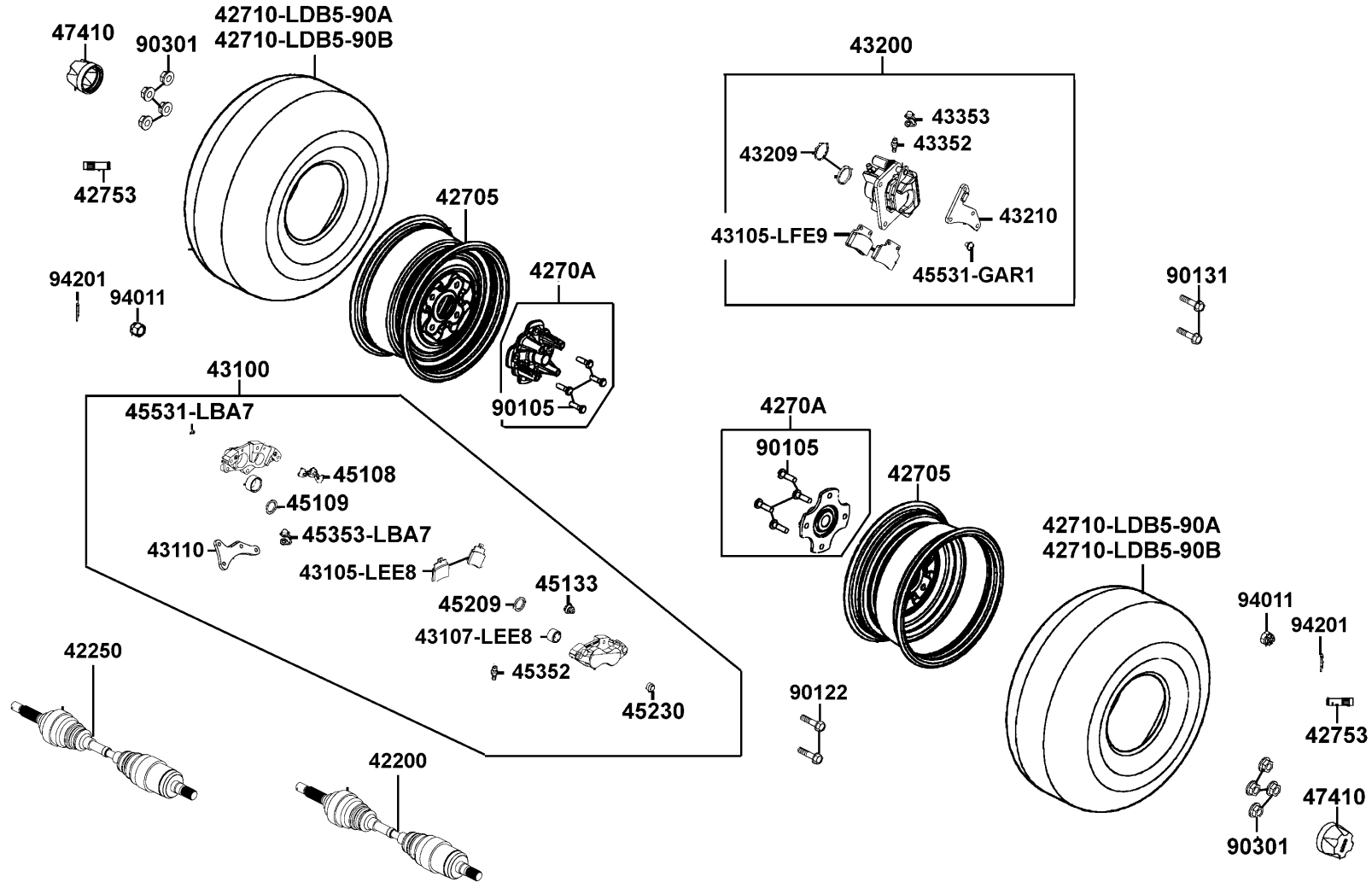
Rear Wheel



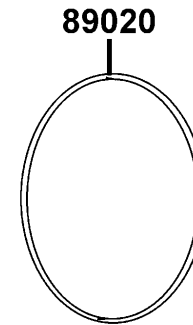
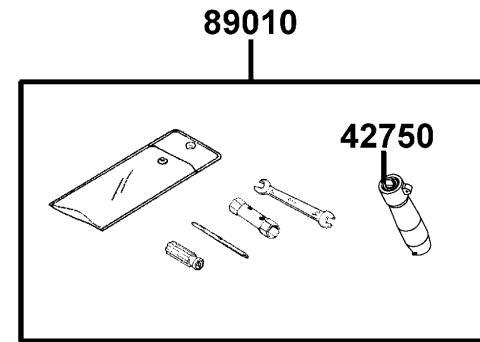
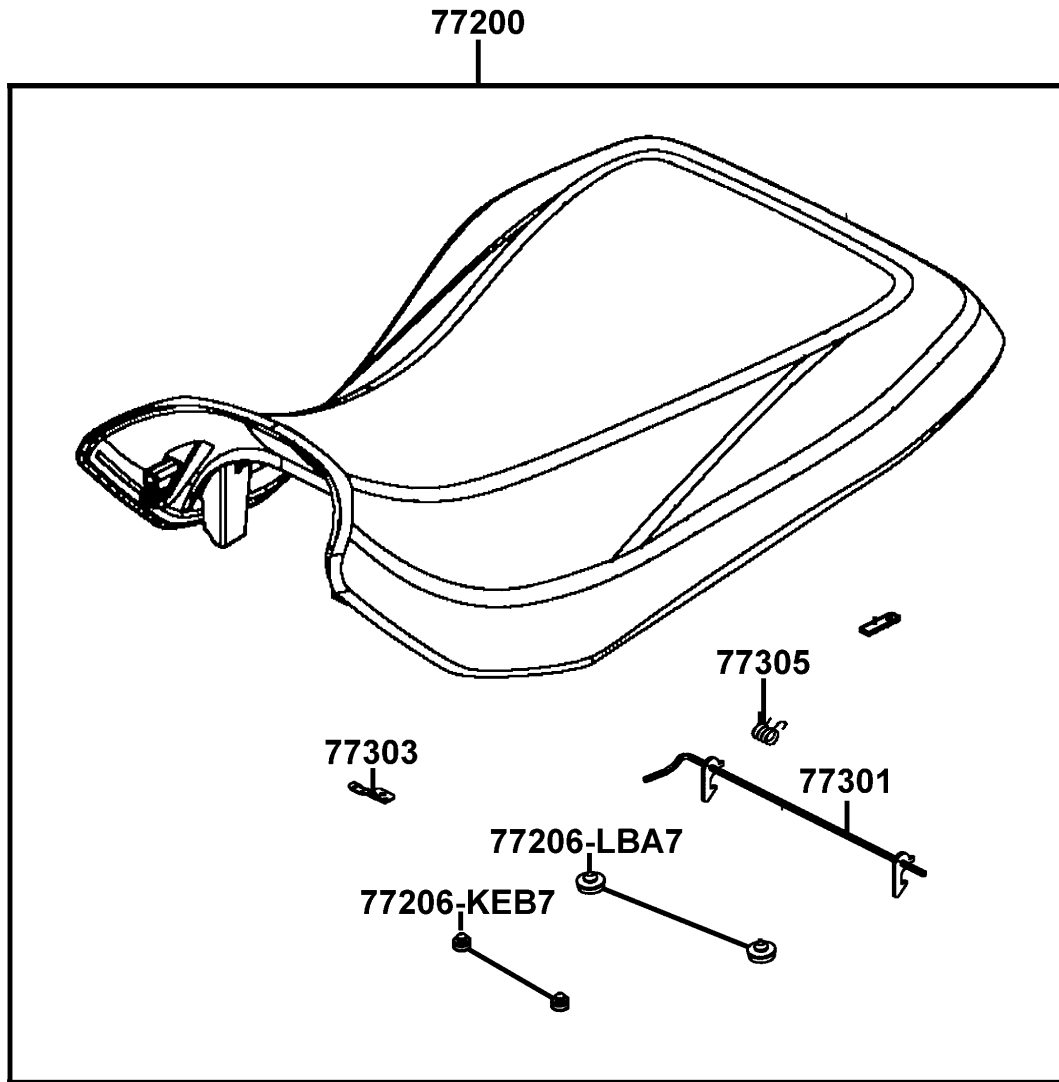
| Sales mark | Ref no | Part no | Description | Reg description | Regd no | F08 |
|------------|----------------|----------------|--------------------------|---------------------|---------|-----|
| | 42200 | 42200-LFE9-E00 | HALF SHAFT REAR-RH | HALF SHAFT REAR-RH | 1 | |
| | 42250 | 42250-LFE9-E00 | HALF SHAFT REAR-LH | HALF SHAFT REAR-LH | 1 | |
| ** | 42705 | 42705-LFE9-E00 | RIM COMP RR WHEEL | RIM COMP RR WHEEL | 2 | |
| | 4270A | 4270A-LFA5-E00 | HUB ASSEMBLY | HUB ASSEMBLY | 2 | |
| | 42710-LDB5-90A | 42710-LDB5-90A | TIRE ASSY RR | TIRE ASSY RR | 2 | |
| | 42710-LDB5-90B | 42710-LDB5-90B | TIRE ASSY RR | TIRE ASSY RR | 2 | |
| | 42753 | 42753-KNBN-90B | VALVE (TR 412) & CAP (E) | VALVE RIM (TIR 412) | 2 | |
| ** | 43100 | 43100-LFE9-E00 | CALIPER ASSY RR BRK | CALIPER ASSY RR BRK | 1 | |
| | 43105-LEE8 | 43105-LEE8-305 | PAD ASSY | PAD ASSY | 1 | |
| | 43105-LFE9 | 43105-LFE9-305 | PAD SET | PAD SET | 1 | |
| | 43107-LEE8 | 43107-LEE8-E00 | PISTON | PISTON | 1 | |
| | 43110 | 43110-LFE9-305 | BRACKET ASSY | BRACKET ASSY | 1 | |
| ** | 43200 | 43200-LFE9-E00 | CALIPER ASSY RR BRK | CALIPER ASSY RR BRK | 1 | |
| | 43209 | 43209-KKC4-900 | SEAL PISTON | SEAL PISTON | 2 | |
| | 43210 | 43210-LFE9-305 | BRACKET ASSY | BRACKET ASSY | 1 | |
| | 43352 | 43352-KKD6-E90 | SCREW BLEEDER | SCREW BLEEDER | 1 | |
| | 43353 | 43353-4A61-77A | CAP BLEEDER | CAP BLEEDER | 1 | |
| | 45108 | 45108-LBA7-900 | SPRING PAD | SPRING PAD | 2 | |
| | 45109 | 45109-PWA1-900 | DUST SEAL | DUST SEAL | 1 | |
| | 45133 | 45133-LBA7-900 | BOOT A | BOOT A | 2 | |

F08

Rear Wheel



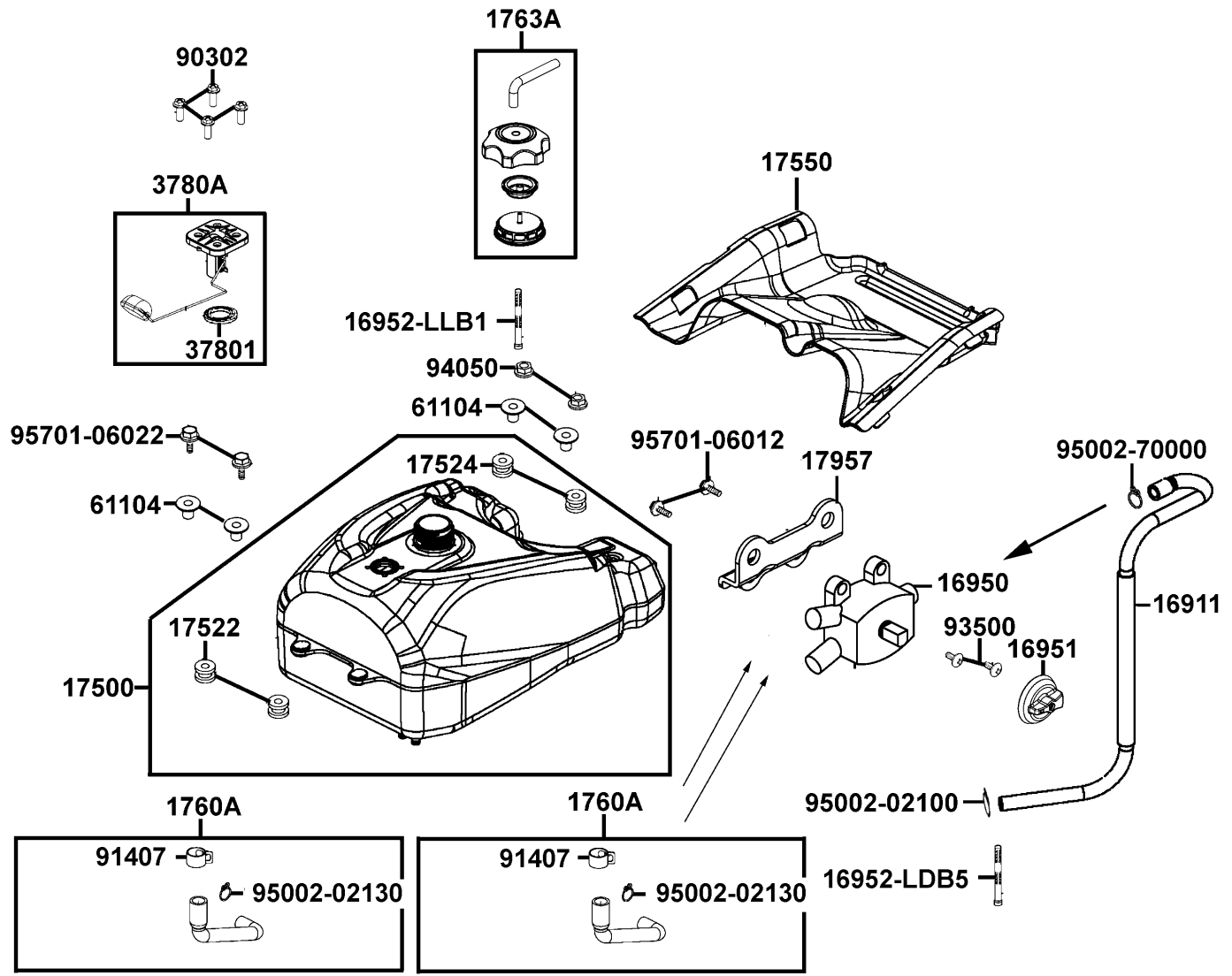
| Sales mark | Ref no | Part no | Description | Reg description | Regd no | F08 |
|------------|------------|----------------|---------------------------|---------------------------|---------|------------|
| | 45209 | 45209-PWA1-900 | SEAL PISTON | SEAL PISTON | 1 | |
| | 45230 | 45230-LBA7-900 | BUSH PIN | BUSH PIN | 1 | |
| | 45352 | 45352-LBA7-900 | BLEEDER | BLEEDER | 1 | |
| | 45353-LBA7 | 45353-LBA7-900 | CAP BLEEDER | CAP BLEEDER | 2 | |
| | 45531-LBA7 | 45531-LBA7-900 | PLUG | PLUG | 2 | |
| | 47410 | 47410-LDB5-E00 | CAP WHEEL SHAFT | CAP WHEEL SHAFT | 2 | |
| | 90105 | 90105-PWB1-900 | STUD WHEEL MOUNTING | STUD WHEEL MOUNTING | 8 | |
| | 90122 | 90122-KEBE-900 | BOLT FLANGE 8*32 | BOLT FLANGE 8X32 | 2 | |
| | 90131 | 90131-KEBE-900 | BOLT FLANGE 8*24 | BOLT FLANGE 8*24 | 2 | |
| | 90301 | 90301-PWB1-900 | NUT LUG-M10 (60 DEG) | NUT LUG-M10 (60 DEG) | 8 | |
| | 94011 | 94011-PWB1-900 | NUT CASTLE FLANGE M22x1.5 | NUT CASTLE FLANGE M22x1.5 | 2 | |
| | 94201 | 94201-30400 | PIN SPLIT 3*40 | PIN SPLIT 3*40 | 2 | |



| Sales mark | Ref no | Part no | Description | Reg description | Regd no | F09 |
|------------|------------|----------------|-------------------|-------------------|---------|------------|
| | 42750 | 42750-LDB1-700 | GEAR AIR PRESSURE | GEAR AIR PRESSURE | 1 | |
| ** | 77200 | 77200-LFE9-E00 | SEAT ASSY | SEAT ASSY | 1 | |
| | 77206-KEB7 | 77206-KEB7-900 | RUBBER SEAT CUSH | RUBBER SEAT CUSH | 2 | |
| | 77206-LBA7 | 77206-LBA7-900 | RUBBER SEAT CUSH | RUBBER SEAT CUSH | 2 | |
| | 77301 | 77301-LDB5-E00 | LOCK COMP SEAT | LOCK COMP SEAT | 1 | |
| | 77303 | 77303-LDB5-E00 | STAY SEAT | STAY SEAT | 1 | |
| | 77305 | 77305-LDB5-E00 | SPRING HOOK BAR | SPRING HOOK BAR | 1 | |
| | 89010 | 89010-LFE9-E00 | TOOL SET | TOOL SET | 1 | |
| | 89020 | 89020-KKC4-900 | BAND TOOL SET | BAND TOOL SET | 1 | |

F10

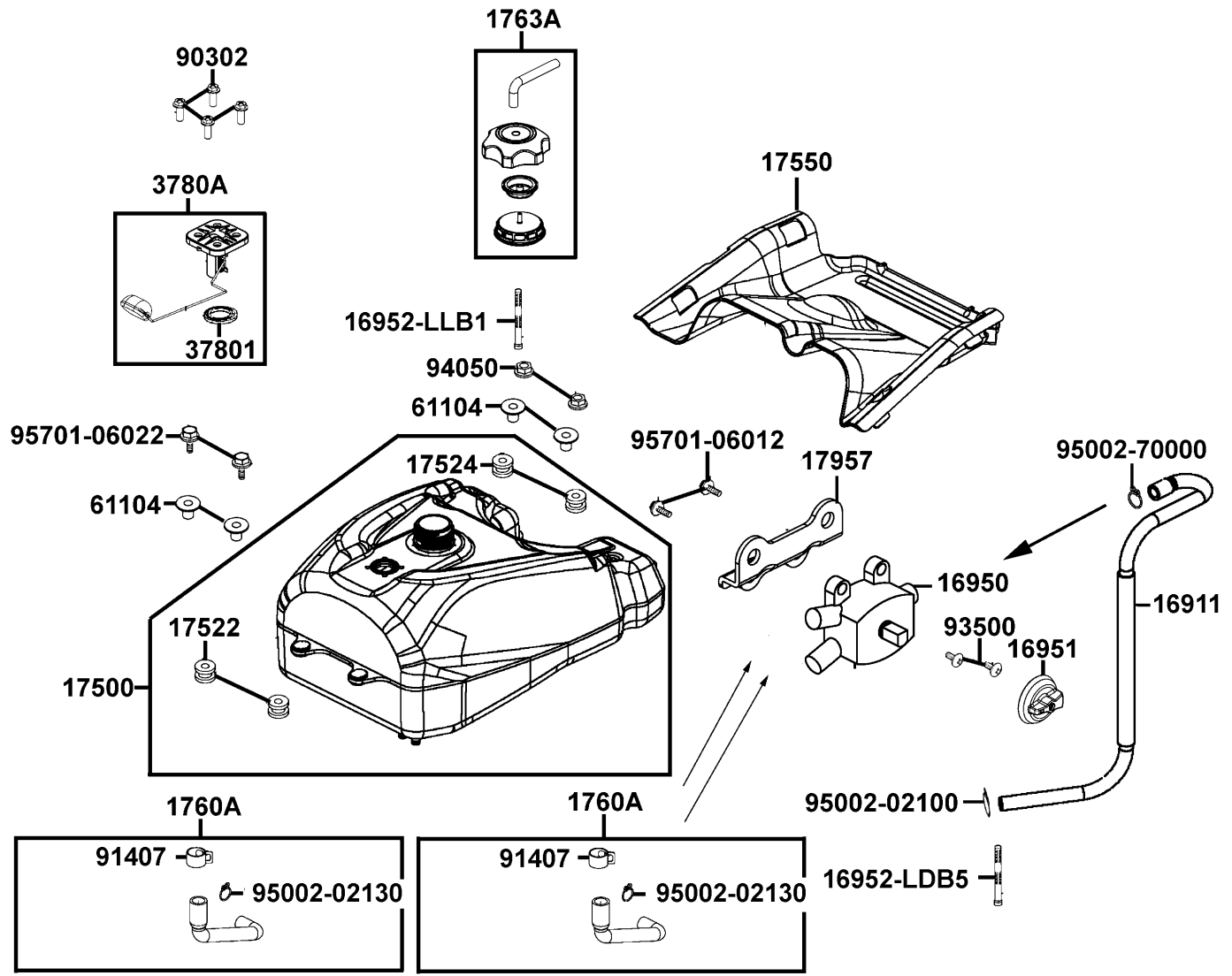
Fuel Tank



| Sales mark | Ref no | Part no | Description | Reg description | Regd no | F10 |
|------------|-------------|----------------|----------------------|----------------------|---------|------------|
| | 16911 | 16911-LDB5-600 | TUBE ASSY FUEL | TUBE ASSY FUEL | 1 | |
| | 16950 | 16950-LDB5-600 | COCK FUEL | COCK FUEL | 1 | |
| ** | 16951 | 16951-LDB5-E00 | COVER FUEL COCK | COVER FUEL COCK | 1 | |
| | 16952-LDB5 | 16952-LDB5-600 | SCREW FUEL STRAINER | SCREW FUEL STRAINER | 1 | |
| | 16952-LLB1 | 16952-LLB1-900 | SCREEN FUEL STRAINER | SCREEN FUEL STRAINER | 1 | |
| | 17500 | 17500-LDB5-E00 | TANK COMP FUEL | TANK COMP FUEL | 1 | |
| | 17522 | 17522-LLB1-900 | RUBBER FUEL TANK | RUBBER FUEL TANK | 2 | |
| | 17524 | 17524-LLB1-900 | RR RUBBER FUEL TANK | RR RUBBER FUEL TANK | 2 | |
| ** | 17550 | 17550-LDB5-E00 | GUARD FUEL TANK | GUARD FUEL TANK | 1 | |
| | 1760A | 1760A-LDB5-600 | TUBE ASSY FUEL TANK | TUBE ASSY FUEL TANK | 2 | |
| # | 1763A | 1763A-LDB5-E00 | CAP ASSY FUEL FILLER | CAP ASSY FUEL FILLER | 1 | |
| | 17957 | 17957-LDB5-600 | STAY FUEL COCK | STAY FUEL COCK | 1 | |
| | 37801 | 37801-LAB4-910 | PACKING BASE | PACKING BASE | 1 | |
| | 3780A | 3780A-LDB5-E00 | FUEL UNIT ASSY | FUEL UNIT ASSY | 1 | |
| | 61104 | 61104-3G57-001 | COLLAR FR FENDER | COLLAR FR FENDER | 4 | |
| | 90302 | 90302-GBR2-001 | BOLT WASH 5*16 | BOLT WASHER 5*16 | 4 | |
| | 91407 | 91407-SGA7-004 | CLAMP 17 FUSE HOSE | CLAMP 17 FUSE HOSE | 2 | |
| | 93500 | 93500-05016-0H | SCREW PAN 5*16 | SCREW PAN 5*16 | 2 | |
| | 94050 | 94050-06080 | NUT FLANGE 6MM | NUT FLANGE 6MM | 2 | |
| | 95002-02100 | 95002-02100 | CLIP B15 TUBE | CLIP B10 TUBE | 1 | |

F10

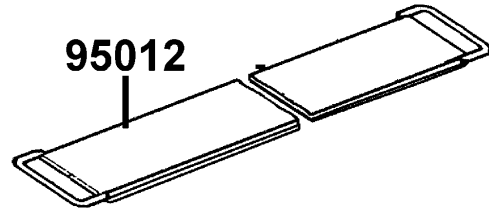
Fuel Tank



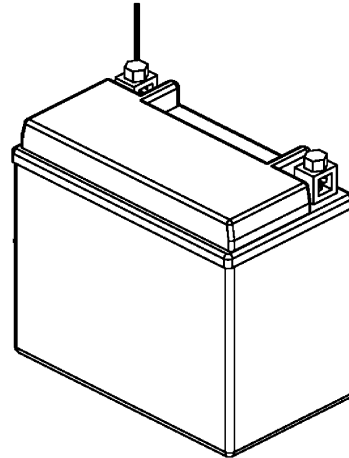
| Sales mark | Ref no | Part no | Description | Reg description | Regd no | F10 |
|------------|-------------|----------------|------------------|------------------|---------|------------|
| | 95002-02130 | 95002-02130 | CLIP B 12.5 TURE | CLIP B 12.5 TUBE | 2 | |
| | 95002-70000 | 95002-70000 | CLIP C11 TUBE | CLIP C11 TUBE | 1 | |
| | 95701-06012 | 95701-06012-06 | BOLT FLANGE 6*12 | BOLT FLANGE 6*12 | 2 | |
| | 95701-06022 | 95701-06022-06 | BOLT FLANGE 6*22 | BOLT FLANGE 6*22 | 2 | |

F11

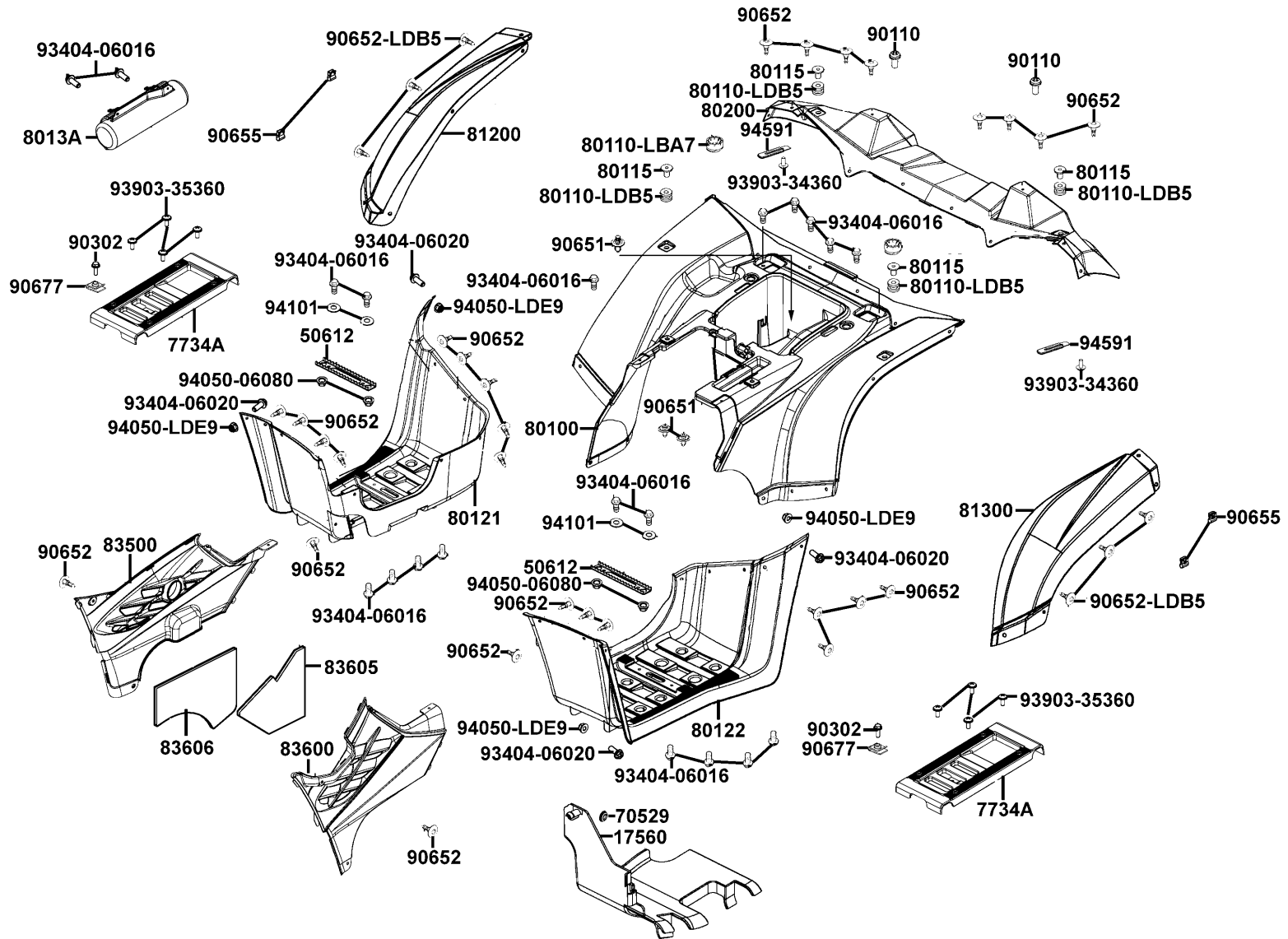
Battery



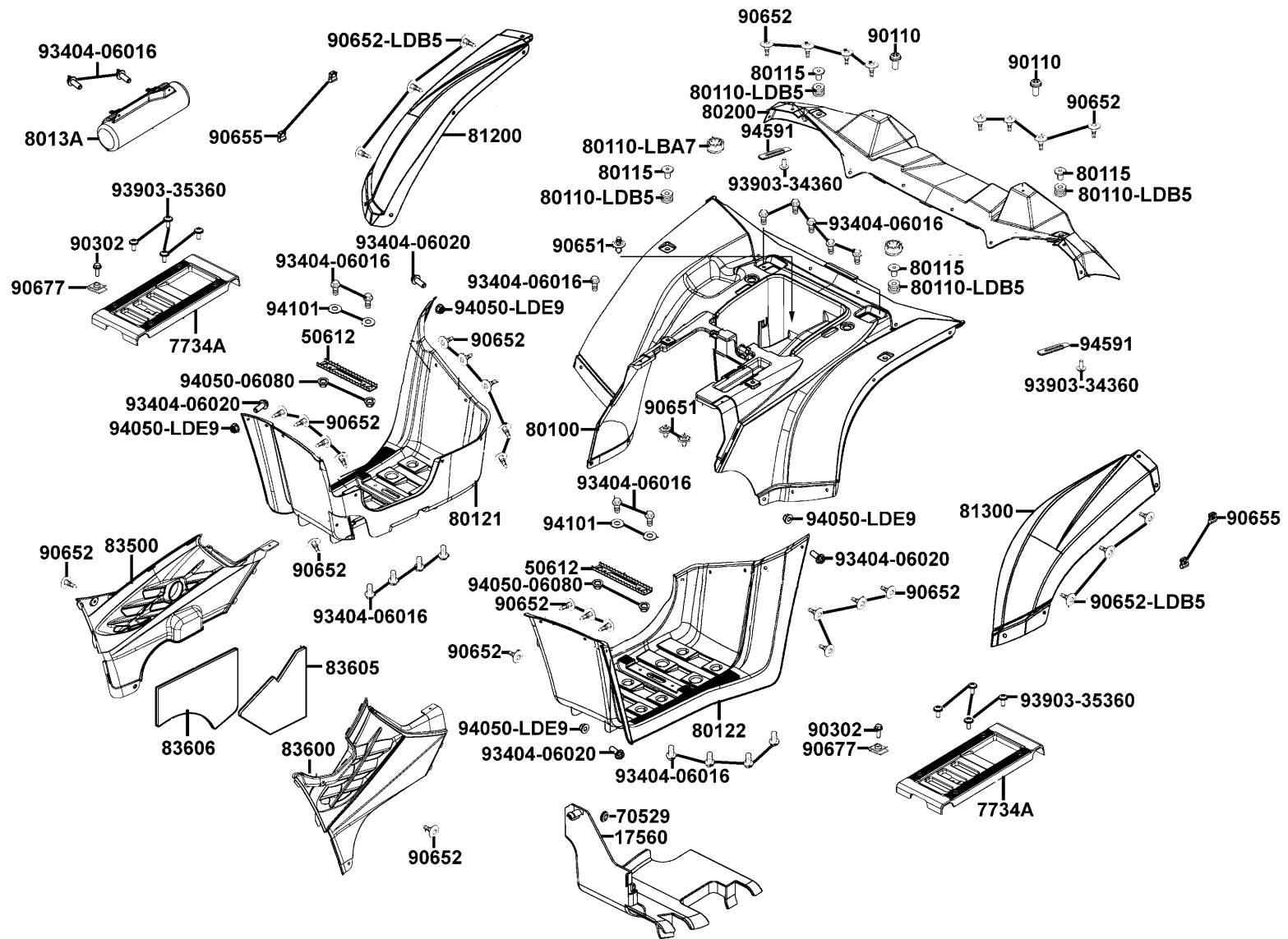
31500-LDB5-E0A
31500-LDB5-E0B



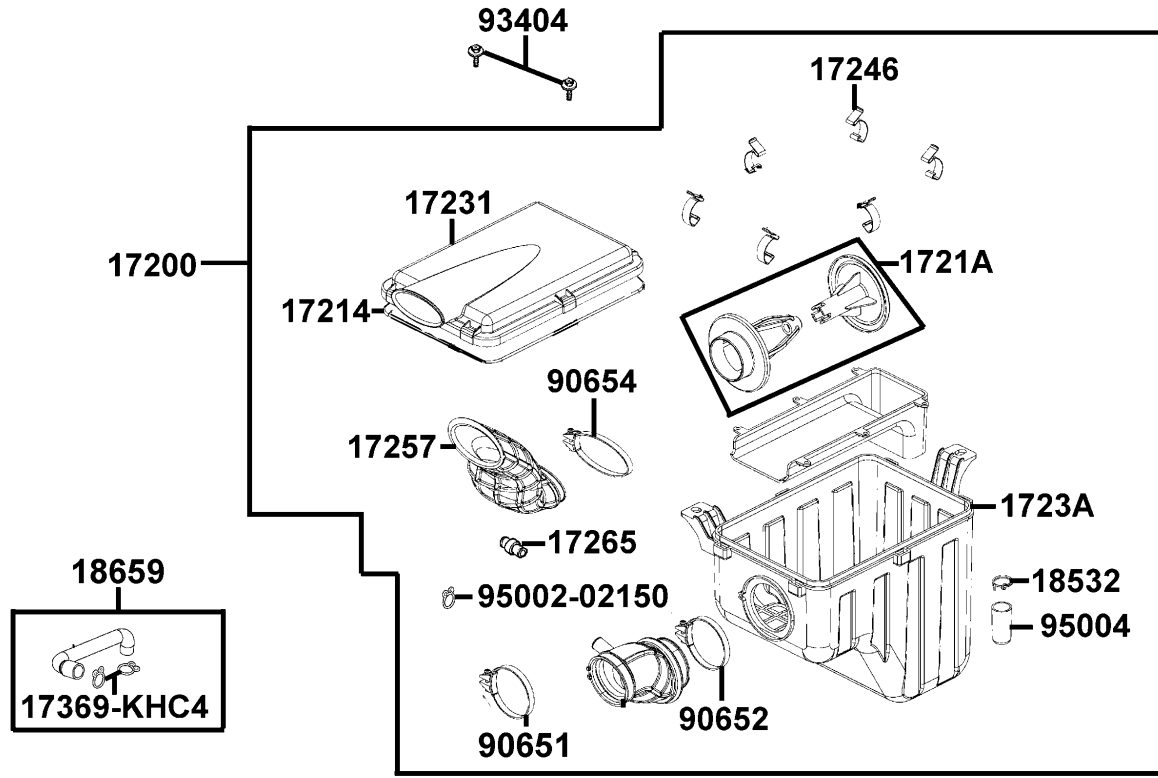
| Sales mark | Ref no | Part no | Description | Reg description | Regd no | F11 |
|------------|----------------|----------------|-------------------|-------------------|---------|------------|
| | 31500-LDB5-E0A | 31500-LDB5-E0A | BATTERY YTX20L-BS | BATTERY YTX20L-BS | 1 | |
| | 31500-LDB5-E0B | 31500-LDB5-E0B | BATTERY GTX20L-BS | BATTERY GTX20L-BS | 1 | |
| | 95012 | 95012-KKA7-900 | TOOL BAND | TOOL BAND | 1 | |



| Sales mark | Ref no | Part no | Description | Reg description | Regd no | F12 |
|------------|------------|----------------|-------------------------|-------------------------|---------|------------|
| ** | 17560 | 17560-LDB5-600 | PLATE HEAT INSULATION | PLATE HEAT INSULATION | 1 | |
| | 50612 | 50612-LDB5-E00 | RNFCT FLOOR | RNFCT FLOOR | 2 | |
| | 70529 | 70529-6G57-671 | GROM B SIDE PNL | GROM B SIDE PNL | 1 | |
| ** | 7734A | 7734A-LDB5-E61 | COVER ASSY CARRIER | COVER ASSY CARRIER | 2 | |
| ** | 80100 | 80100-LDB5-E00 | FENDER REAR | FENDER REAR | 1 | |
| | 80110-LBA7 | 80110-LBA7-900 | RUBBER REAR FENDER | RUBBER REAR FENDER | 2 | |
| | 80110-LDB5 | 80110-LDB5-900 | RUBBER FENDER | RUBBER FENDER | 4 | |
| | 80115 | 80115-LDB5-900 | COLLAR FENDER | COLLAR FENDER | 4 | |
| ** | 80121 | 80121-LDB5-E00 | MUDGUARD R FLOOR | MUDGUARD R FLOOR | 1 | |
| ** | 80122 | 80122-LDB5-E00 | MUDGUARD L FLOOR | MUDGUARD L FLOOR | 1 | |
| | 8013A | 8013A-LFE9-E00 | BOX ASSY TOOL | BOX ASSY TOOL | 1 | |
| ** | 80200 | 80200-LDB5-E00 | MUDGUARD REAR | MUDGUARD REAR | 1 | |
| ** | 81200 | 81200-LDB5-E00 | MUDGUARD R RR SIDE | MUDGUARD R RR SIDE | 1 | |
| ** | 81300 | 81300-LDB5-E00 | MUDGUARD L RR SIDE | MUDGUARD L RR SIDE | 1 | |
| | 83605 | 83605-LDB5-E00 | HEAT GUARD R SIDE COVER | HEAT GUARD L SIDE COVER | 1 | |
| | 83606 | 83606-LDB5-E00 | HEAT GUARD L SIDE COVER | HEAT GUARD L SIDE COVER | 1 | |
| | 90110 | 90110-PWB1-900 | SCREW SPECIAL 6X20 | SCREW SPECIAL 6X20 | 2 | |
| | 90302 | 90302-PWA1-900 | BOLT-WASH 5*16 | BOLT-WASH 5*16 | 2 | |
| | 90651 | 90651-LCA5-E00 | CLIP FENDER | CLIP FENDER | 3 | |
| | 90652 | 90652-LCA4-E00 | CLIP MUDGUARD | CLIP MUDGUARD | 16 | |



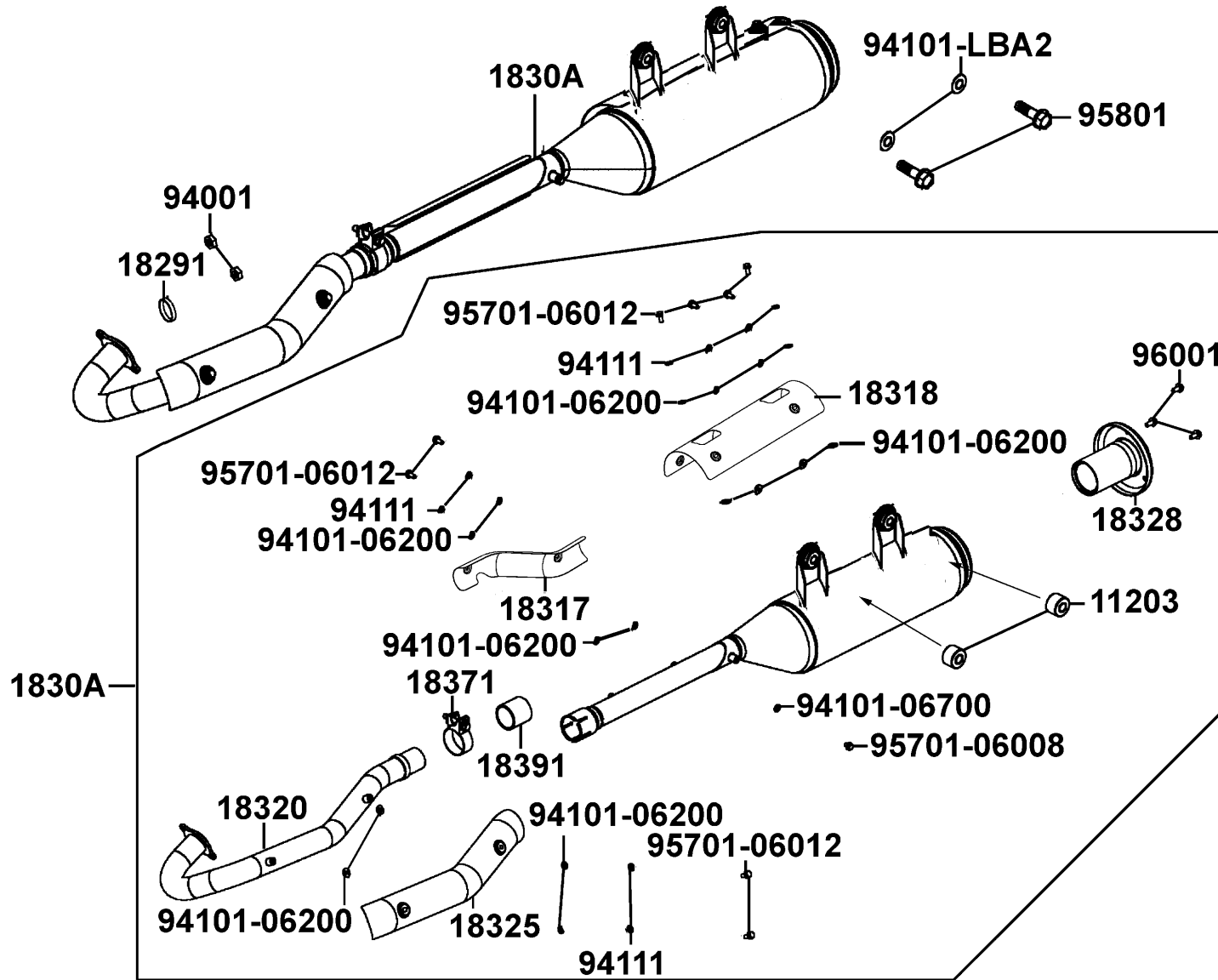
| Sales mark | Ref no | Part no | Description | Reg description | Regd no | F12 |
|------------|-------------|----------------|----------------------|----------------------|---------|------------|
| | 90652-LDB5 | 90652-LDB5-900 | CLIP MUDGUARD | CLIP MUDGUARD | 6 | |
| | 90655 | 90655-PWA2-900 | CLIP FENDER MOUNTING | CLIP FENDER MOUNTING | 4 | |
| | 90677 | 90677-GAR1-004 | NUT CLIP 5MM | NUT CLIP 5MM | 2 | |
| | 93404-06016 | 93404-06016-06 | BOLT WASHER 6*16 | BOLT WASHER 6*16 | 19 | |
| | 93404-06020 | 93404-06020-06 | BOLT WASH 6*20 | BOLT WASHER 6*20 | 4 | |
| | 93903-34360 | 93903-34360 | SCREW TAPPING 4*12 | SCREW TAPPING 4*12 | 2 | |
| | 93903-35360 | 93903-35360 | SCREW TAPPING 5*16 | SCREW TAPPING 5*16 | 8 | |
| | 94050-06080 | 94050-06080 | NUT FLANGE 6MM | NUT FLANGE 6MM | 4 | |
| | 94050-LDE9 | 94050-LDE9-E00 | NUT LOCK | NUT LOCK | 4 | |
| | 94101 | 94101-06800 | WASHER PLAIN 6MM | WASHER PLAIN 6MM | 4 | |
| | 94591 | 94591-27000 | CLIP 2*70 | CLIP 2*70 | 2 | |



| Sales mark | Ref no | Part no | Description | Reg description | Regd no | F13 |
|------------|--------|----------------|-----------------------|-----------------------|---------|------------|
| 17200 | | 17200-LFE9-E00 | AIR/C ASSY | AIR/C ASSY | 1 | |
| 17214 | | 17214-LDB5-E00 | SEAL AIR/C CASE | SEAL AIR/C CASE | 1 | |
| 1721A | | 1721A-LDB5-E00 | ELEMENT COMP AIR/C | ELEMENT COMP AIR/C | 1 | |
| 17231 | | 17231-LDB5-E00 | COVER ASSY AIR/C | COVER ASSY AIR/C | 1 | |
| 1723A | | 1723A-LFE9-E00 | CASE ASSY AIR/C | CASE ASSY AIR/C | 1 | |
| 17246 | | 17246-LBA7-900 | CLAMP AIR/C | CLAMP AIR/C | 6 | |
| 17257 | | 17257-LDB5-E00 | DUCT A AIR/C CASE | DUCT A AIR/C CASE | 1 | |
| 17265 | | 17265-LBA7-900 | JOINT BLOW BY | JOINT BLOW BY | 1 | |
| 17369 | | 17369-KHC4-900 | CLIP BREATHER TUBE | CLIP BREATHER TUBE | 4 | |
| 18532 | | 18532-6D34-671 | CLIP AIR HOSE 21.5 | CLIP AIR HOSE 21.5 | 1 | |
| 18659 | | 18659-LDB5-E00 | TUBE A OIL CATCH | TUBE A OIL CATCH | 1 | |
| 90651 | | 90651-LFE9-E00 | BAND 66 | BAND 66 | 1 | |
| 90652 | | 90652-LLJ3-E00 | BAND CONNECTING TUBE | BAND CONNECTING TUBE | 1 | |
| 90654 | | 90654-LDB5-E00 | BAND 81 REAR CVT DUCT | BAND 81 REAR CVT DUCT | 1 | |
| 93404 | | 93404-06012-06 | BOLT WASH 6*12 | BOLT WASHER 6*12 | 2 | |
| 95002 | | 95002-02150 | CLIP B14.5 TUBE | CLIP B14.5 TUBE | 1 | |
| 95004 | | 95004-LBA7-900 | TUBE DRAIN | TUBE DRAIN | 1 | |

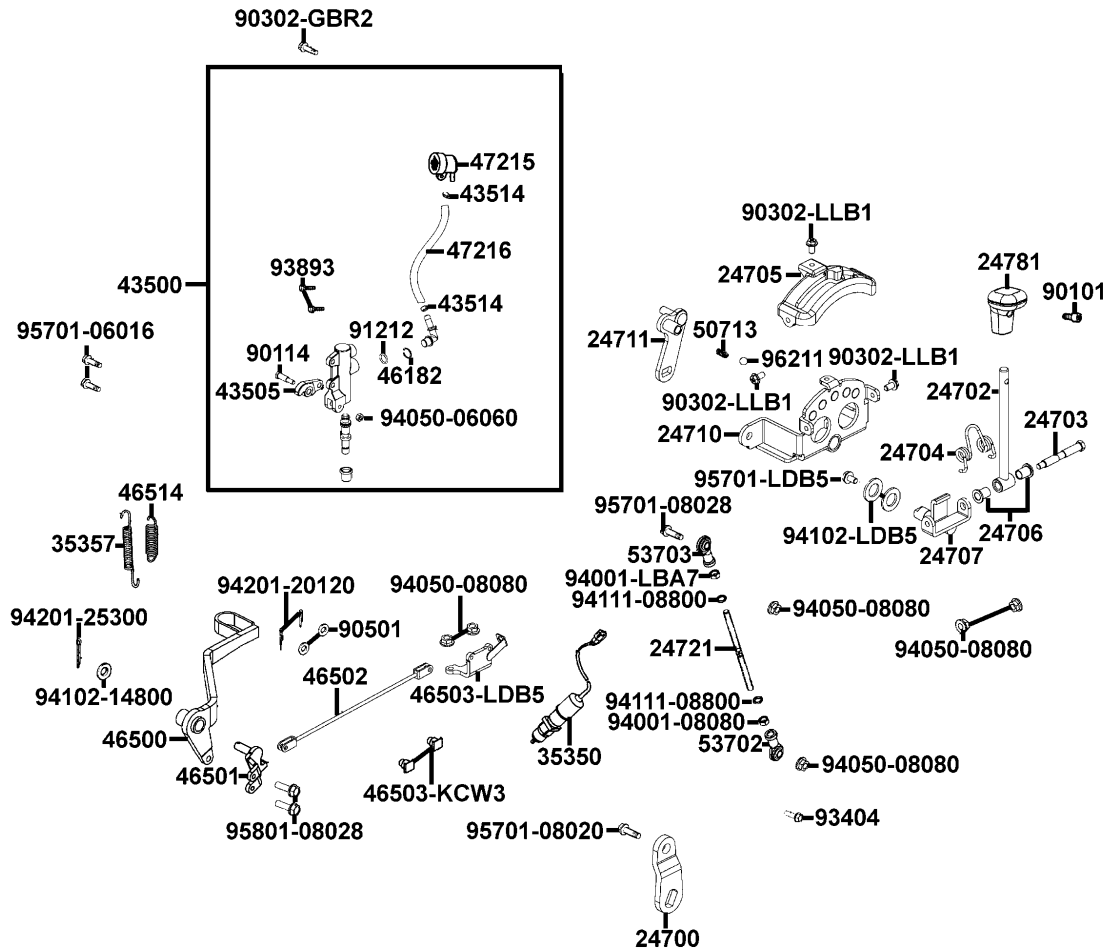
F14

Exhaust Muffler

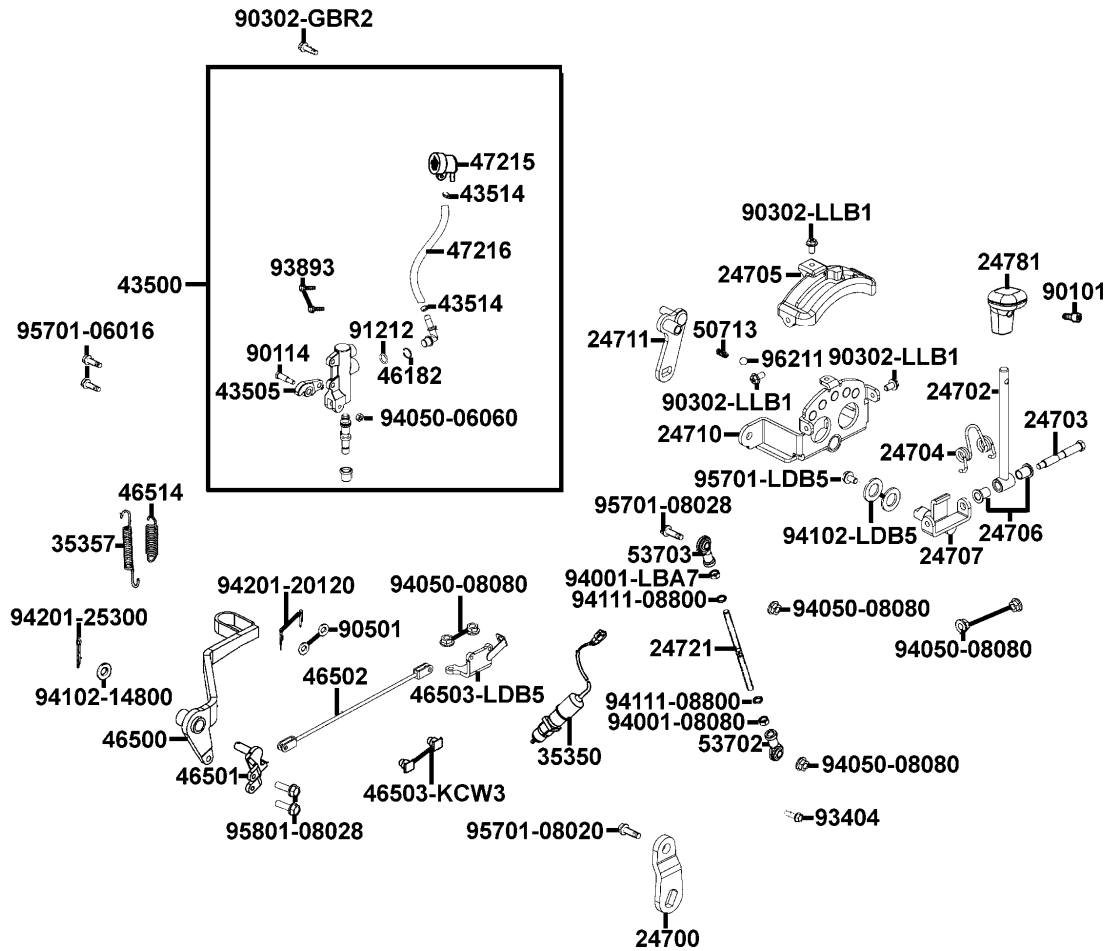


| Sales mark | Ref no | Part no | Description | Reg description | Regd no | F14 |
|-------------|--------|----------------|--------------------------|--------------------------|---------|------------|
| 11203 | | 11203-LDB5-E00 | BUSH MUFFLER STAY | BUSH MUFFLER STAY | 2 | |
| 18291 | | 18291-LBA2-E00 | GASKET EXH PIPE | GASKET EXH PIPE | 1 | |
| 1830A | | 1830A-LFE9-E00 | MUFFLER ASSY EXH | MUFFLER ASSY EXH | 1 | |
| 18317 | | 18317-LFE9-E00 | PROTECTOR A COMP MUFFLER | PROTECTOR A COMP MUFFLER | 1 | |
| 18318 | | 18318-LFE9-E00 | PROTECTOR B COMP MUFFLER | PROTECTOR B COMP MUFFLER | 1 | |
| 18320 | | 18320-LDB5-E00 | PIPE EXHAUST | PIPE EXHAUST | 1 | |
| 18325 | | 18325-LDB5-E00 | PROTECTOR PIPE EXHAUST | PROTECTOR PIPE EXHAUST | 1 | |
| 18328 | | 18328-LDB5-E00 | SPARK ARRESTOR | SPARK ARRESTOR | 1 | |
| 18371 | | 18371-LBA2-E00 | BAND MUFFLER | BAND MUFFLER | 1 | |
| 18391 | | 18391-LBA2-E00 | GASKET | GASKET | 1 | |
| 94001 | | 94001-08080-0S | NUT HEX 8MM | NUT HEX 8MM | 2 | |
| 94101-06200 | | 94101-06200 | WASHER PLAIN 6MM | WASHER PLAIN 6MM | 16 | |
| 94101-06700 | | 94101-06700 | WASHER PLAIN 6MM | WASHER PLAIN 6MM | 1 | |
| 94101-LBA2 | | 94101-LBA2-E00 | WASHER PLATE 10.5*38*3.0 | WASHER PLATE 10.5*38*3.0 | 2 | |
| 94111 | | 94111-06800 | WASHER SPG 6MM | WASHER SPRING 6MM | 8 | |
| 95701-06008 | | 95701-06008-08 | BOLT FLANGE 6*8 | BOLT FLANGE 6*8 | 1 | |
| 95701-06012 | | 95701-06012-00 | BOLT FLANGE 6*12 | BOLT FLANGE 6*12 | 8 | |
| 95801 | | 95801-10040-08 | BOLT FLANGE 10*40 | BOLT FLANGE 10*40 | 2 | |
| 96001 | | 96001-06012-00 | BOLT FLANGE SH 6*12 | BOLT FLANGE SH 6*12 | 3 | |

Master Cylinder Rear

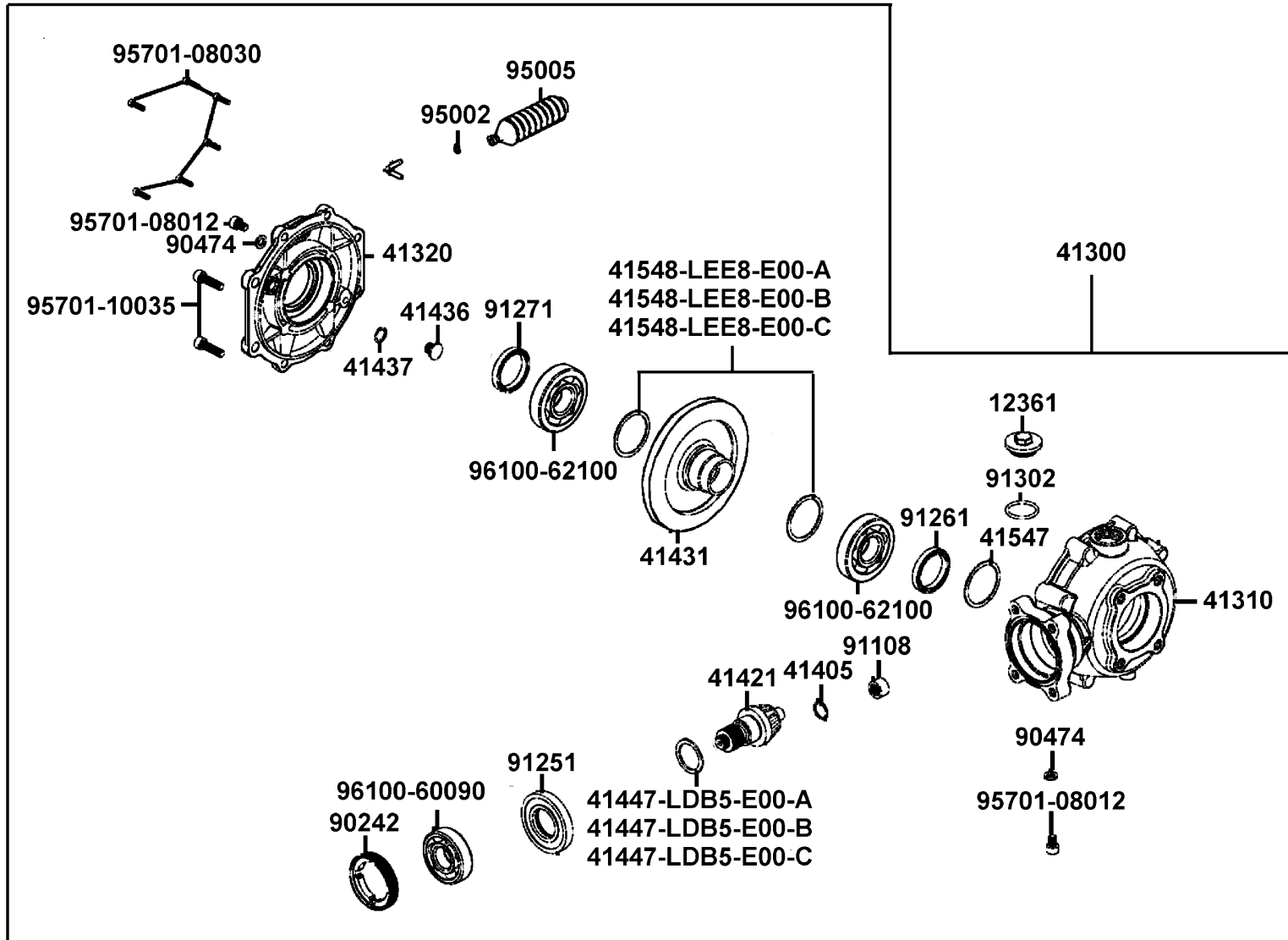


| Sales mark | Ref no | Part no | Description | Reg description | Regd no | F15 |
|------------|--------|----------------|---------------------------|---------------------------|---------|------------|
| | 24700 | 24700-LDB5-E00 | GEAR CHANGE HNDL LINK | GEAR CHANGE HNDL LINK | 1 | |
| | 24702 | 24702-LDB5-E00 | BAR SHIFT LEVER | BAR SHIFT LEVER | 1 | |
| | 24703 | 24703-LDB5-E00 | BOLT SHIFT LEVER | BOLT SHIFT LEVER | 1 | |
| | 24704 | 24704-LBA7-900 | SPRING CHANGE HANDLE | SPRING CHANGE HNDL | 1 | |
| | 24705 | 24705-LDB5-E00 | STAY SHIFT LEVER GUIDE | STAY SHIFT LEVER GUIDE | 1 | |
| | 24706 | 24706-LDB5-E00 | COLLAR SHIFT LEVER | COLLAR SHIFT LEVER | 2 | |
| | 24707 | 24707-LDB5-E00 | BRKT SHIFT LEVER | BRKT SHIFT LEVER | 1 | |
| | 24710 | 24710-LDB5-E00 | STAY SHIFTER | STAY SHIFTER | 1 | |
| | 24711 | 24711-LDB5-E00 | SHAFT UPPER SHIFT GUIDE | SHAFT UPPER SHIFT GUIDE | 1 | |
| | 24721 | 24721-LDB5-E00 | ROD SHIFT | ROD SHIFT | 1 | |
| | 24781 | 24781-LCA5-E00 | COVER CHANGE HNDL | COVER CHANGE HNDL | 1 | |
| | 35350 | 35350-PWA2-900 | REAR STOP SW | REAR STOP SW | 1 | |
| | 35357 | 35357-LDB5-E00 | SPG STOP SW | SPG STOP SW | 1 | |
| | 43500 | 43500-LFE9-E01 | MASTER CYLINDER ASSY FOOT | MASTER CYLINDER ASSY FOOT | 1 | |
| | 43505 | 43505-LDB5-E00 | PUSH ROD COMP | PUSH ROD COMP | 1 | |
| | 43514 | 43514-4E45-77A | CLAMP M/C OIL HOSE | CLAMP M/C OIL HOSE | 2 | |
| | 46182 | 46182-5L00-014 | CIR CLIP | CIR CLIP | 1 | |
| | 46500 | 46500-LFE9-E00 | PEDAL COMP RR BRAKE | PEDAL COMP RR BRAKE | 1 | |
| | 46501 | 46501-LFE9-E00 | BRKT BRAKE PEDAL | BRKT BRAKE PEDAL | 1 | |
| | 46502 | 46502-LDB5-E00 | ROD RR BRK | ROD RR BRK | 1 | |

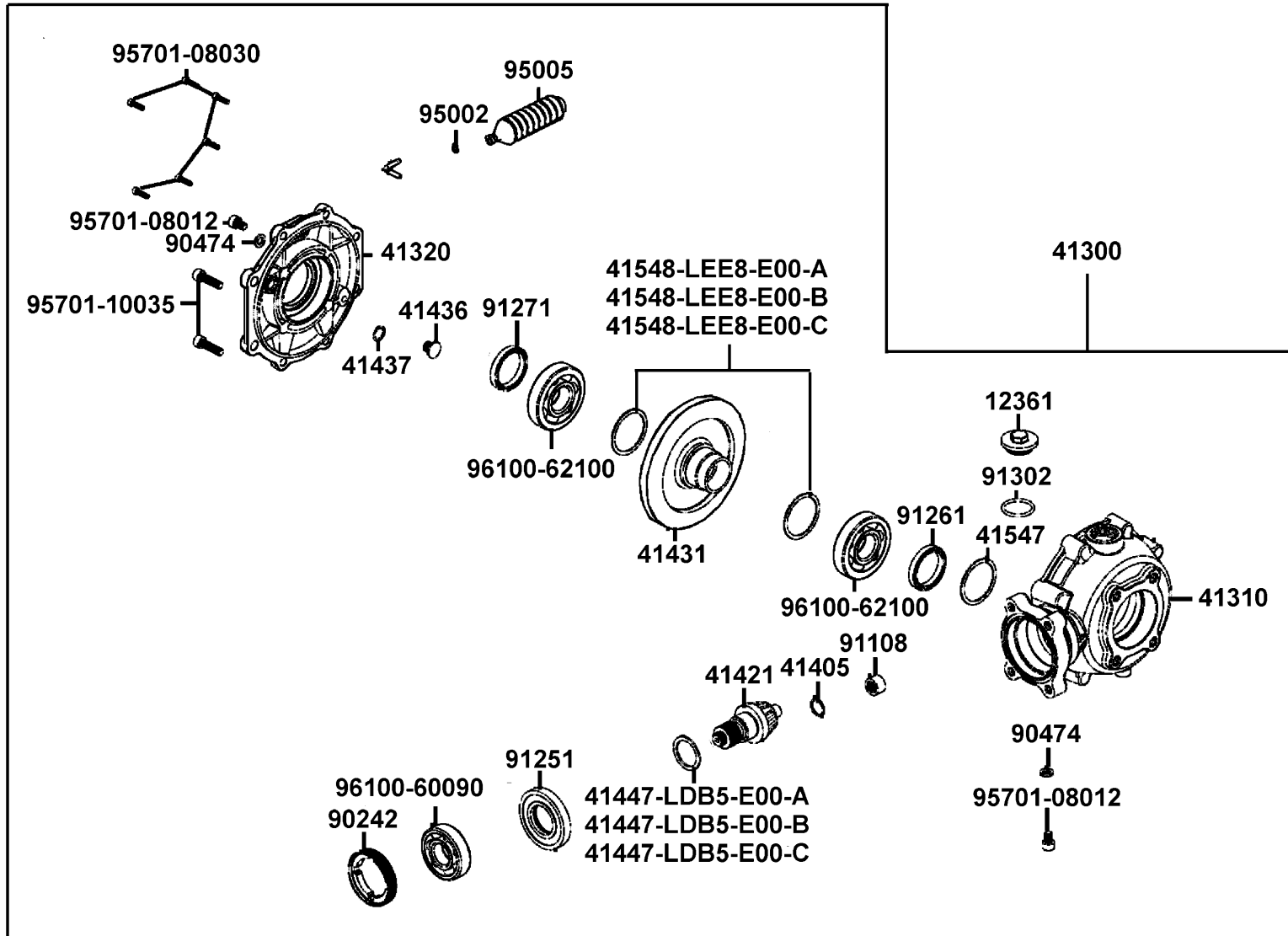


| Sales mark | Ref no | Part no | Description | Reg description | Regd no | F15 |
|------------|----------------|-------------------|-------------------|-------------------|---------|------------|
| | 46503-KCW3 | 46503-KCW3-001 | PIN COMP BRK ROD | PIN COMP BRK ROD | 2 | |
| | 46503-LDB5 | 46503-LDB5-E00 | BRKT RR M/C | BRKT RR M/C | 1 | |
| | 46514 | 46514-LDB5-E00 | SPG BRK ARM | SPG BRK ARM | 1 | |
| | 47215 | 47215-KHD6-900 | OIL CUP | OIL CUP | 1 | |
| | 47216 | 47216-LFE9-900 | HOSE | HOSE | 1 | |
| | 50713 | 50713-LDB5-E00 | SPRING | SPRING | 1 | |
| | 53702 | 53702-LBA7-900 | JOINT R BALL | JOINT R BALL | 1 | |
| | 53703 | 53703-LBA7-900 | JOINT L BALL | JOINT L BALL | 1 | |
| | 90101 | 90101-LCA5-E00-06 | SOCKET BOLT 5*12 | SOCKET BOLT 5*12 | 1 | |
| | 90114 | 90114-1F66-007 | BOLT HANDLE LEVER | BOLT HANDLE LEVER | 1 | |
| | 90302-GBR2 | 90302-GBR2-001 | BOLT WASH 5*16 | BOLT WASHER 5*16 | 1 | |
| | 90302-LLB1-E00 | 90302-LLB1-E00-06 | BOLT-WASH 5*12 | BOLT-WASHER 5*12 | 3 | |
| | 90501 | 90501-3L10-001 | WASHER 7*12 | WASHER 7*12 | 2 | |
| | 91212 | 91212-4B22-007 | O-RING 14.8*2.4 | O-RING 14.8*2.4 | 1 | |
| | 93404 | 93404-06012-06 | BOLT WASH 6*12 | BOLT WASHER 6*12 | 1 | |
| | 93893 | 93893-04012-18 | SCREW WASHER 4*12 | SCREW WASHER 4*12 | 2 | |
| | 94001-08080 | 94001-08080-0S | NUT HEX 8MM | NUT HEX 8MM | 1 | |
| | 94001-LBA7 | 94001-LBA7-900 | NUT HEX LH 8MM | NUT HEX LH 8MM | 1 | |
| | 94050-06060 | 94050-06060 | NUT FLANGE 6MM | NUT FLANGE 6MM | 1 | |
| | 94050-08080 | 94050-08080 | NUT FLANGE 8MM | NUT FLANGE 8MM | 6 | |

| Sales mark | Ref no | Part no | Description | Reg description | Regd no | F15 |
|------------|-------------|----------------|------------------------|-------------------|---------|------------|
| | 94102 | 94102-14800 | WASHER PLAIN 14*26*2.3 | WASHER PLAIN 14MM | 1 | |
| | 94102-LDB5 | 94102-LDB5-E00 | WASHER PLAIN 14MM | WASHER PLAIN 14MM | 2 | |
| | 94111 | 94111-08800 | WASHER SPG 8MM | WASHER SPRING 8MM | 2 | |
| | 94201-20120 | 94201-20120 | PIN SPLIT 2*12 | PIN SPLIT 2*12 | 2 | |
| | 94201-25300 | 94201-25300 | PIN SPLIT 2.5*30 | PIN SPLIT 2.5*30 | 1 | |
| | 95701-06016 | 95701-06016-06 | BOLT FLANGE 6*16 | BOLT FLANGE 6*16 | 2 | |
| | 95701-08020 | 95701-08020-06 | BOLT FLANGE 8*20 | BOLT FLANGE 8*20 | 1 | |
| | 95701-08028 | 95701-08028-06 | BOLT FLANGE 8*28 | BOLT FLANGE 8*28 | 1 | |
| | 95701-LDB5 | 95701-LDB5-E00 | BOLT FLANGE 6*16 | BOLT FLANGE 6*16 | 1 | |
| | 95801 | 95801-08028-06 | BOLT FLANGE 8*28 | BOLT FLANGE 8*28 | 2 | |
| | 96211 | 96211-08000 | BALL STEEL 8MM | BALL STEEL 8 | 1 | |



| Sales mark | Ref no | Part no | Description | Reg description | Regd no | F16 |
|------------------|--------|------------------|------------------------------|------------------------------|---------|------------|
| 12361 | | 12361-GFY6-901 | HOLE CAP TAPPET ADJUSTING | HOLE CAP TAPPET ADJUSTING | 1 | |
| 41300 | | 41300-LFE9-E00 | GEAR ASSY RR FINAL | GEAR ASSY RR FINAL | 1 | |
| 41310 | | 41310-LFE9-E00 | L SIDE CASE RR FINAL | L SIDE CASE RR FINAL | 1 | |
| 41320 | | 41320-LFE9-E00 | R SIDE CASE RR FINAL | R SIDE CASE RR FINAL | 1 | |
| 41405 | | 41405-LEE8-E00 | RING STOPPER | RING STOPPER | 1 | |
| 41421 | | 41421-LEE8-E00 | GEAR PINION | GEAR PINION | 1 | |
| 41431 | | 41431-LEE8-E00 | GEAR RING | GEAR RING | 1 | |
| 41436 | | 41436-LCD9-E00 | PIN RING GEAR STOPPER | PIN RING GEAR STOPPER | 1 | |
| 41437 | | 41437-LCD9-E00 | SHIM STOPPER PIN | SHIM STOPPER PIN | 1 | |
| 41447-LDB5-E00-A | | 41447-LDB5-E00-A | SHIM PINION GEAR A | SHIM PINION GEAR A | 1 | |
| 41447-LDB5-E00-B | | 41447-LDB5-E00-B | SHIM PINION GEAR B | SHIM PINION GEAR B | 1 | |
| 41447-LDB5-E00-C | | 41447-LDB5-E00-C | SHIM PINION GEAR C | SHIM PINION GEAR C | 1 | |
| 41547 | | 41547-LEE8-E00 | C-RING-R90 | C-RING-R90 | 1 | |
| 41548-LEE8-E00-A | | 41548-LEE8-E00-A | SHIM B RING GEAR | SHIM B RING GEAR | 2 | |
| 41548-LEE8-E00-B | | 41548-LEE8-E00-B | SHIM B RING GEAR | SHIM B RING GEAR | 2 | |
| 41548-LEE8-E00-C | | 41548-LEE8-E00-C | SHIM B RING GEAR | SHIM B RING GEAR | 2 | |
| 90242 | | 90242-LDB5-E00 | NUT LOCK 74MM | NUT LOCK 74MM | 1 | |
| 90474 | | 90474-3C33-001 | WASHER 8MM | WASHER 8MM | 2 | |
| 91108 | | 91108-LEE8-E00 | BRG NEEDLE 20*22*28 (HK2220) | BRG NEEDLE 20*22*28 (HK2220) | 1 | |
| 91251 | | 91251-LEE8-E00 | OIL SEAL 38.5*80*10 | OIL SEAL 38.5*80*10 | 1 | |



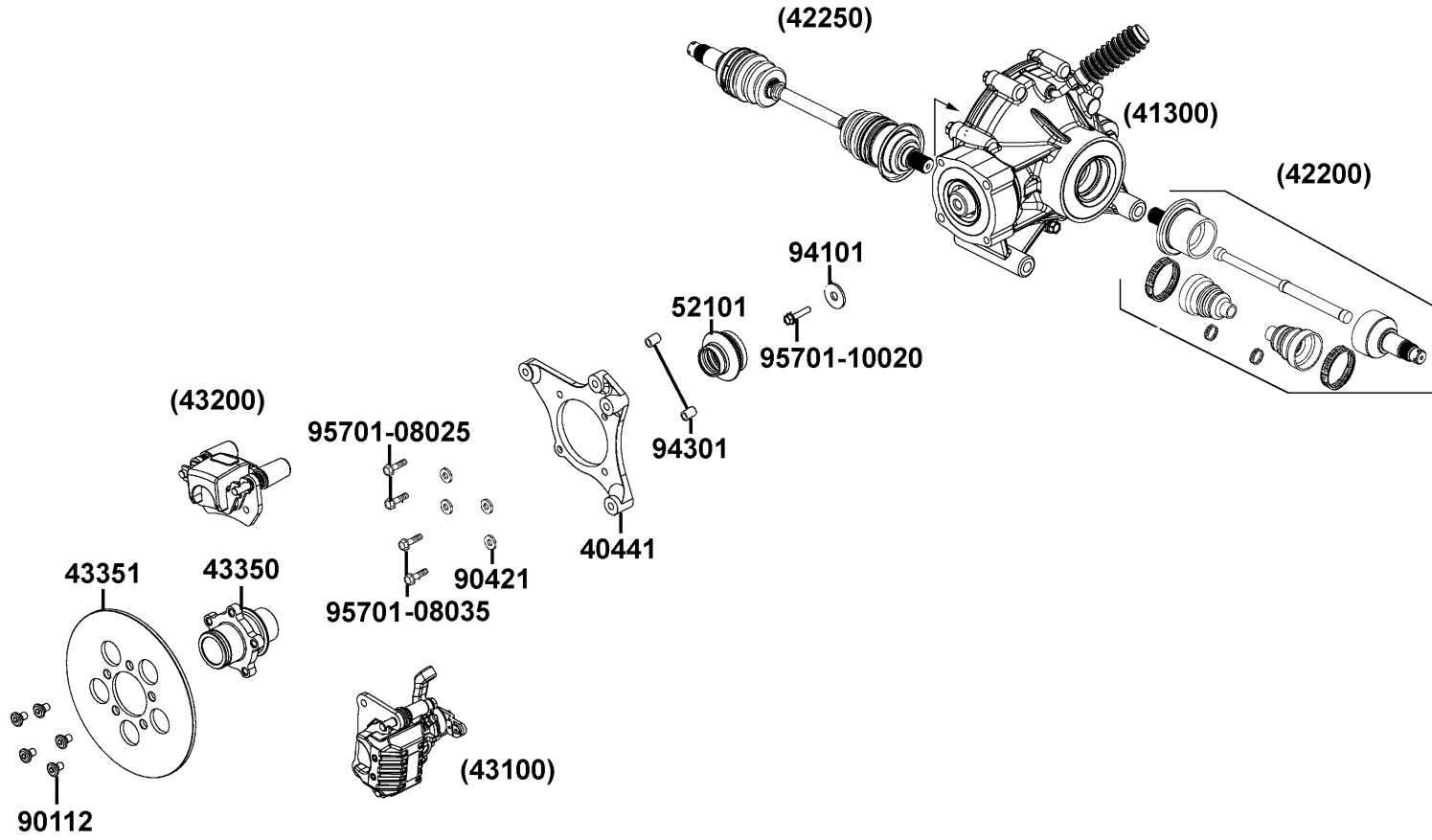
| Sales mark | Ref no | Part no | Description | Reg description | Regd no | F16 |
|------------|-------------|----------------|--------------------------|--------------------------|---------|------------|
| | 91261 | 91261-LEE8-E00 | OIL SEAL 48*92*10 | OIL SEAL 48*92*10 | 1 | |
| | 91271 | 91271-LEE8-E00 | OIL SEAL 47*68*10 | OIL SEAL 47*68*10 | 1 | |
| | 91302 | 91302-0A01-021 | O-RING 30.8M/M | O-RING 30.8MM | 1 | |
| | 95002 | 95002-41050-00 | CLIP D10.5 TUBE | CLIP D10.5 TUBE | 1 | |
| | 95005 | 95005-PWB1-900 | BREATH TUBE RR GEAR ASSY | BREATH TUBE RR GEAR ASSY | 1 | |
| | 95701-08012 | 95701-08012-08 | BOLT FLANGE 8*12 | BOLT FLANGE 8*12 | 2 | |
| | 95701-08030 | 95701-08030-08 | BOLT FLANGE 8*30 | BOLT FLANGE 8*30 | 6 | |
| | 95701-10035 | 95701-10035-08 | BOLT FLANGE 10*35 | BOLT FLANGE 10*35 | 2 | |
| | 96100-60090 | 96100-60090-00 | BRG RADIAL BALL 6009 | BRG RADIAL BALL 6009 | 1 | |
| | 96100-62100 | 96100-62100-00 | BEARING BALL RADIAL 6210 | BEARING BALL RADIAL 6210 | 2 | |

| Sales mark | Ref no | Part no | Description | Reg description | Regd no | F17 |
|------------|--------|----------------|---------------------------|---------------------------|---------|------------|
| | 47452 | 47452-PWB1-900 | BUSHING RR SUSPENSION | BUSHING RR SUSPENSION | 8 | |
| | 47453 | 47453-PWB1-900 | COLLAR SUSPENSION | COLLAR SUSPENSION | 4 | |
| | 47550 | 47550-PWB1-900 | KNUCKLE REAR ASSEMBLY LH | KNUCKLE REAR ASSEMBLY LH | 2 | |
| | 52103 | 52103-PWB1-900 | SLEEVE SUSPENSION | SLEEVE SUSPENSION | 2 | |
| | 52104 | 52104-PWB1-900 | SLEEVE SUSPENSION | SLEEVE SUSPENSION | 2 | |
| | 52108 | 52108-PWB1-900 | BUSHING SUSPENSION | BUSHING SUSPENSION | 12 | |
| | 52144 | 52144-PWB1-900 | SEAL SUSPENSION | SEAL SUSPENSION | 12 | |
| ** | 52400 | 52400-LFE9-E00 | CUSHION ASSY RR | CUSHION ASSY RR | 2 | |
| ** | 54400 | 54400-LFE9-E00 | CONTROL ARM ASSY LOWER RH | CONTROL ARM ASSY LOWER RH | 1 | |
| ** | 54450 | 54450-LFE9-E00 | CONTROL ARM ASSY LOWER RH | CONTROL ARM ASSY LOWER RH | 1 | |
| ** | 54500 | 54500-LFE9-E00 | CONTROL ARM ASSY UPPER LH | CONTROL ARM ASSY UPPER LH | 1 | |
| ** | 54550 | 54550-LFE9-E00 | CONTROL ARM ASSY LOWER LH | CONTROL ARM ASSY LOWER LH | 1 | |
| | 54600 | 54600-LFE9-E00 | BAR STABILIZER | BAR STABILIZER | 1 | |
| | 54601 | 54601-LFE9-E00 | BUSH STABILIZER | BUSH STABILIZER | 2 | |
| | 54602 | 54602-LFE9-E00 | HOLDER STABILIZER | HOLDER STABILIZER | 2 | |
| | 54610 | 54610-LFE9-E00 | JOINT STABILIZER RH | JOINT STABILIZER RH | 1 | |
| | 54620 | 54620-LFE9-E00 | STABILIZER JOINT LH | STABILIZER JOINT LH | 1 | |
| | 90304 | 90304-GHE8-004 | NUT U 10MM | NUT U 10MM | 18 | |
| | 94520 | 94520-55000 | CIR CLIP IN 55 | CIR CLIP IN 55 | 2 | |
| | 95701 | 95701-08016-06 | BOLT FLANGE 8*16 | BOLT FLANGE 8*16 | 4 | |

| Sales mark | Ref no | Part no | Description | Reg description | Regd no | F17 |
|------------|-------------|----------------|------------------------|------------------------|---------|------------|
| | 95801-10040 | 95801-10040-08 | BOLT FLANGE 10*40 | BOLT FLANGE 10*40 | 2 | |
| | 95801-10065 | 95801-10065-08 | BOLT FLANGE 10X65(C) | BOLT FLANGE 10X65(C) | 2 | |
| | 95801-10085 | 95801-10085-06 | BOLT FLANGE 10*85 | BOLT FLANGE 10*85 | 4 | |
| | 95801-10095 | 95801-10095-06 | BOLT FLANGE 10*95 | BOLT FLANGE 10*95 | 4 | |
| | 95802 | 95802-PWB1-900 | SCREW CAP-HFH M10x1.25 | SCREW CAP-HFH M10x1.25 | 2 | |
| | 96151 | 96151-PWB1-900 | BEARING WHEEL | BEARING WHEEL | 2 | |

F18

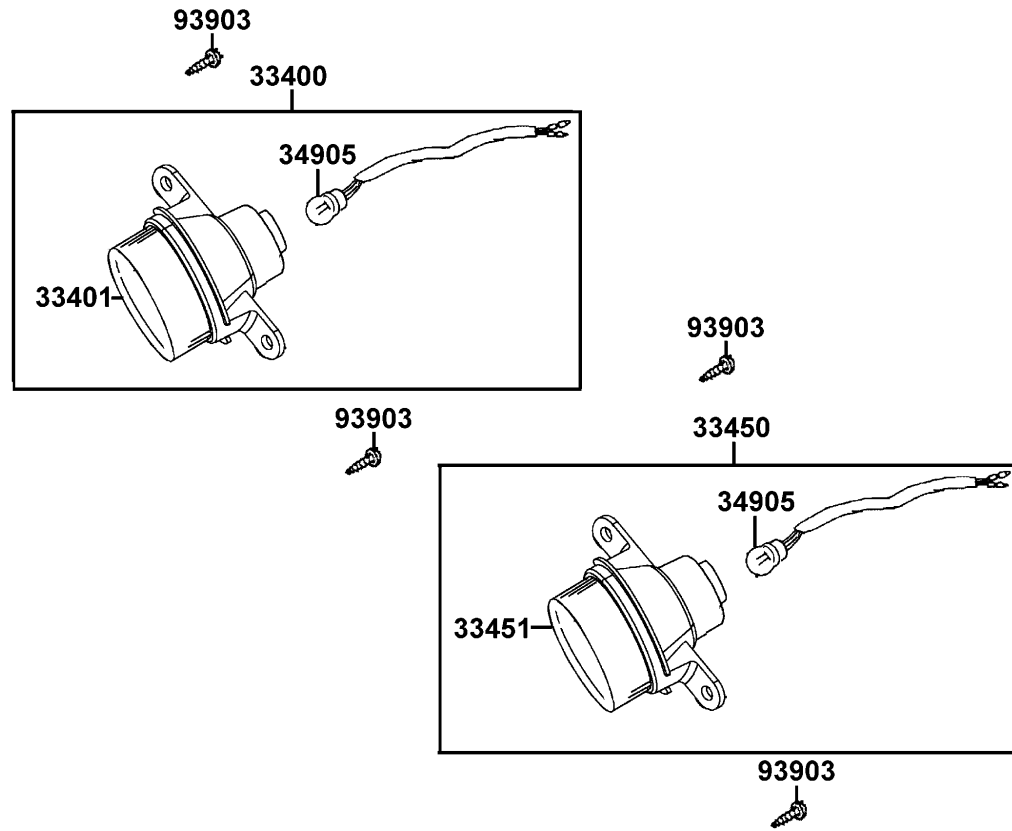
Disk Assy Rr Brk



| Sales mark | Ref no | Part no | Description | Reg description | Regd no | F18 |
|-------------|--------|----------------|-------------------------|-------------------------|---------|------------|
| 40441 | | 40441-LFE9-E00 | BRACKET CALIPER | BRACKET CALIPER | 1 | |
| 43350 | | 43350-LFE9-E00 | HOLDER DISK RR BRK | HOLDER DISK RR BRK | 1 | |
| 43351 | | 43351-LEE8-E00 | DISK RR BRK | DISK RR BRK | 1 | |
| 52101 | | 52101-LFE9-E00 | BOOT RR PROPELLER SHAFT | BOOT RR PROPELLER SHAFT | 1 | |
| 90112 | | 90112-LBD4-800 | BOLT DISK | BOLT DISK | 5 | |
| 90421 | | 90421-KAM1-004 | WASHER SEALING 8*16*1.6 | WASHER SEALING 8*16*1.6 | 4 | |
| 94101 | | 94101-10800 | WASHER PLAIN 10MM | WASHER PLAIN 10MM | 1 | |
| 94301 | | 94301-10120 | DOWEL PIN 10*12 | DOWEL PIN 10*12 | 2 | |
| 95701-08025 | | 95701-08025-06 | BOLT FLANGE 8*25 | BOLT FLANGE 8*25 | 2 | |
| 95701-08035 | | 95701-08035-06 | BOLT FLANGE 8*28 | BOLT FLANGE 8*35 | 2 | |
| 95701-10020 | | 95701-10020-06 | BOLT FLANGE 10*20 | BOLT FLANGE 10*20 | 1 | |

F19

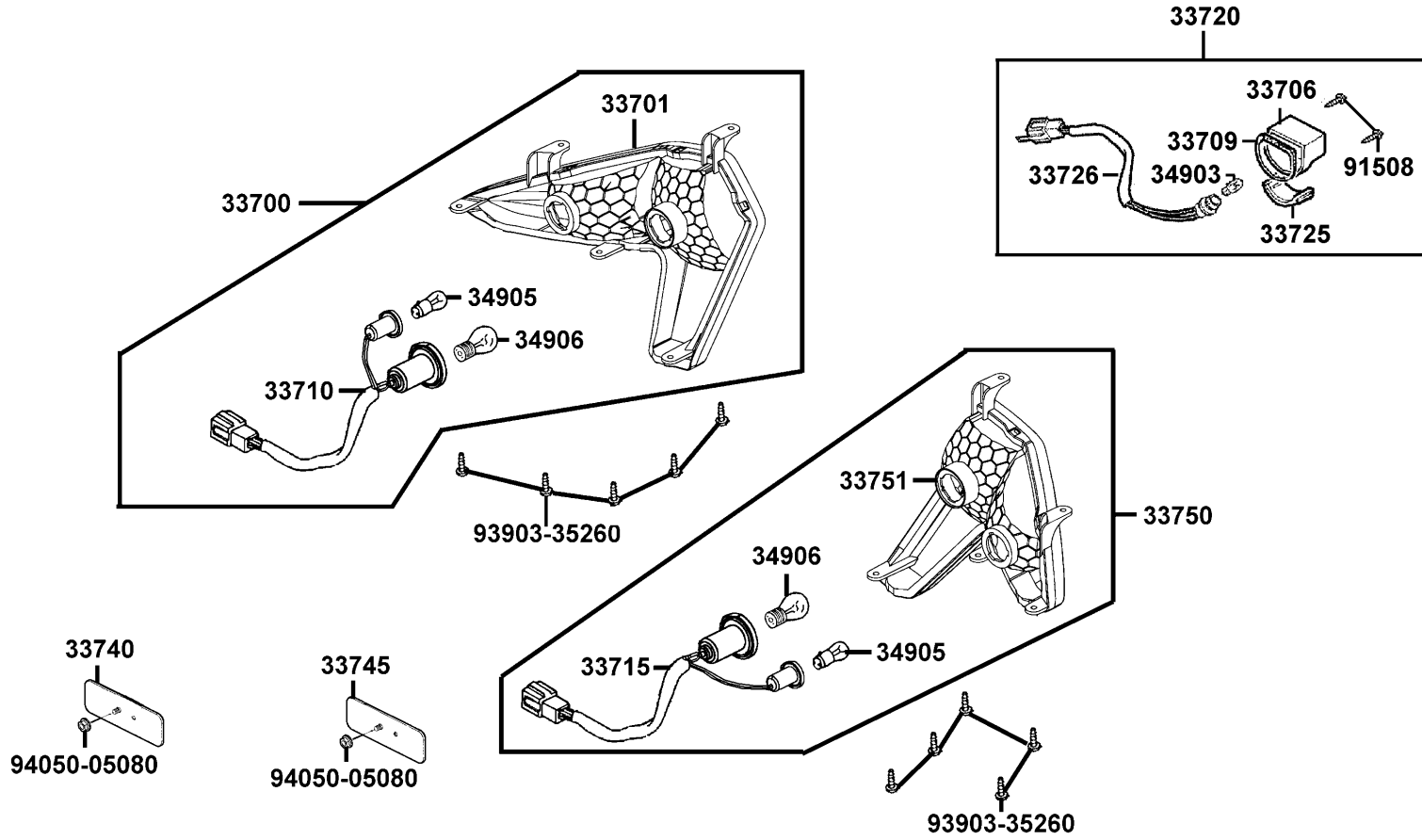
Winker



| Sales mark | Ref no | Part no | Description | Reg description | Regd no | F19 |
|------------|--------|----------------|--------------------|--------------------|---------|------------|
| | 33400 | 33400-LCA5-E00 | WINKER ASSY R FR | WINKER ASSY R FR | 1 | |
| | 33401 | 33401-LCA5-E00 | UNIT WINKER R FR | UNIT WINKER R FR | 1 | |
| | 33450 | 33450-LCA5-E00 | WINKER ASSY L FR | WINKER ASSY L FR | 1 | |
| | 33451 | 33451-LCA5-E00 | UNIT WINKER L FR | UNIT WINKER L FR | 1 | |
| | 34905 | 34905-LBA7-E00 | BULB WINKER 12V10W | BULB WINKER 12V10W | 2 | |
| | 93903 | 93903-35360 | SCREW TAPPING 5*16 | SCREW TAPPING 5*16 | 4 | |

F20

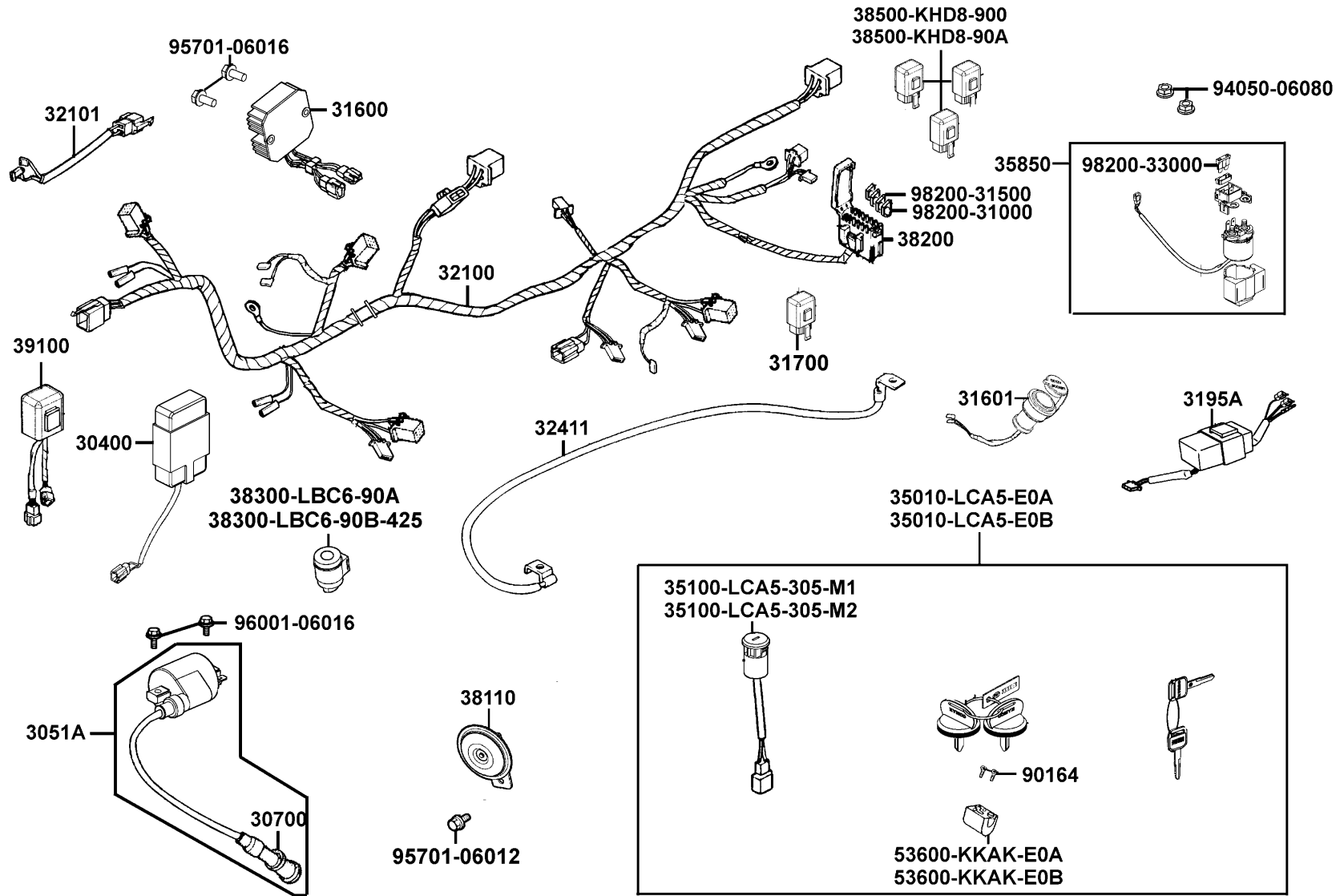
Light Tail



| Sales mark | Ref no | Part no | Description | Reg description | Regd no | F20 |
|------------|--------|----------------|----------------------------|-----------------------|---------|------------|
| | 33700 | 33700-LCA5-E00 | LIGHT ASSY R RR COMB | LIGHT ASSY R RR COMB | 1 | |
| | 33701 | 33701-LCA5-E00 | UNIT TAIL LIGHT R | UNIT TAIL LIGHT R | 1 | |
| | 33706 | 33706-GCN3-67A | COVER LICENSE | COVER LICENSE | 1 | |
| | 33709 | 33709-KBAB-003 | PACKING LICENSE | PACKING LICENSE | 1 | |
| | 33710 | 33710-LCA5-E00 | SOCKET COMP R RR COMB | SOCKET COMP R RR COMB | 1 | |
| | 33715 | 33715-LCA5-E00 | SOCKET COMP L RR COMB | SOCKET COMP L RR COMB | 1 | |
| | 33720 | 33720-LCA5-E00 | LIGHT ASSY LICENSE | LIGHT ASSY LICENSE | 1 | |
| | 33725 | 33725-KHB4-E00 | LENS LICENSE | LENS LICENSE | 1 | |
| | 33726 | 33726-LCA5-E00 | SOCKET COMP | SOCKET COMP | 1 | |
| | 33740 | 33740-LCA5-E00 | REFLECTOR ASSY R RR | REFLECTOR ASSY R RR | 1 | |
| | 33745 | 33745-LCA5-E00 | REFLECTOR ASSY L RR | REFLECTOR ASSY L RR | 1 | |
| | 33750 | 33750-LCA5-E00 | LIGHT ASSY L RR COMB | LIGHT ASSY L RR COMB | 1 | |
| | 33751 | 33751-LCA5-E00 | UNIT TAIL LIGHT L | UNIT TAIL LIGHT L | 1 | |
| | 34903 | 34903-KPCP-900 | BULB POSITION | BULB POSITION | 1 | |
| | 34905 | 34905-LCA5-E00 | BULB WINKER 12C5W | BULB POSITION 12V5W | 2 | |
| | 34906 | 34906-KPCP-900 | BULB TAIL & STOP 12V21W/5W | BULB TAIL & STOP | 2 | |
| | 91508 | 91508-KGV7-67A | SCREW TAPPING 4*14 | SCREW TAPPING 4*14 | 2 | |
| | 93903 | 93903-35260 | SCREW TAPPING 5*12 | SCREW TAPPING 5*12 | 10 | |
| | 94050 | 94050-05080 | NUT FLANGE 5MM | NUT FLANGE 5MM | 2 | |

F21

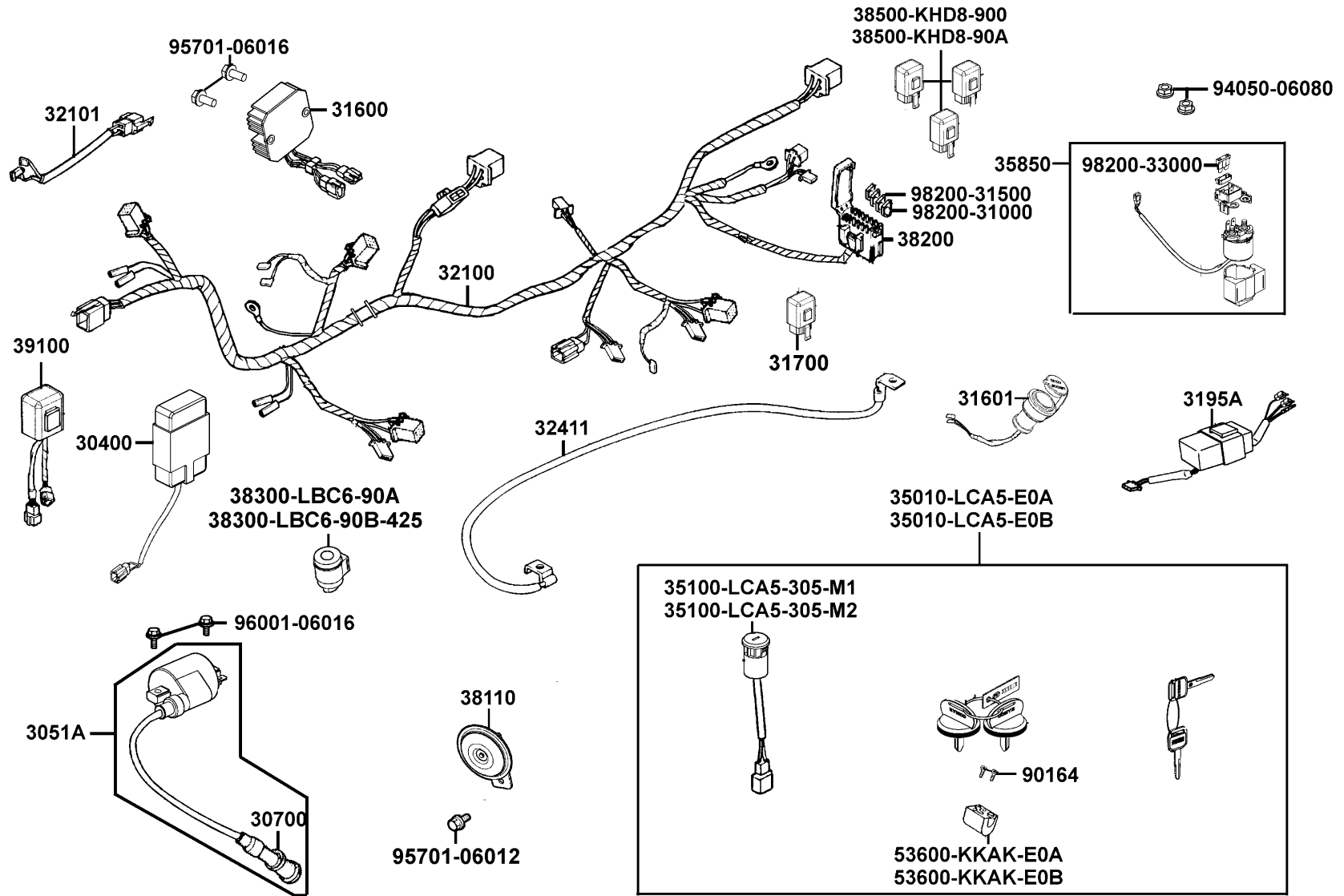
Harness Wire



| Sales mark | Ref no | Part no | Description | Reg description | Regd no | F21 |
|------------|-------------------|-------------------|--------------------------|--------------------------|---------|------------|
| | 30400 | 30400-LFE9-E00 | UNIT ASSY IGNITION | UNIT ASSY IGNITION | 1 | |
| | 3051A | 3051A-LDB5-E00 | COIL ASSY IGNITION | COIL ASSY IGNITION | 1 | |
| | 30700 | 30700-LDB5-E00 | CAP ASSY NOISE SUPPRESOR | CAP ASSY NOISE SUPPRESOR | 1 | |
| | 31600 | 31600-LDB5-E00 | REG REC COMP | REG REC COMP | 1 | |
| | 31601 | 31601-LDB5-E00 | SOCKET COMP DC 12V | SOCKET COMP DC 12V | 1 | |
| | 31700 | 31700-KEC8-E00 | RECTIFIER COMP DIODE | RECTIFIER COMP DIODE | 1 | |
| | 3195A | 3195A-LBA7-E00 | HAZARD CONTROL ASSY | HAZARD CONTROL ASSY | 1 | |
| | 32100 | 32100-LFE9-E00 | HARNES WIRE | HARNES WIRE | 1 | |
| | 32101 | 32101-LLB1-800 | SUB CORD | SUB CORD | 0 | |
| | 32411 | 32411-LDB5-E00 | CABLE BAT | CABLE BAT | 1 | |
| | 35010-LCA5-E0A | 35010-LCA5-E0A | KEY SET | KEY SET | 1 | |
| | 35010-LCA5-E0B | 35010-LCA5-E0B | KEY SET | KEY SET | 1 | |
| | 35100-LCA5-305-M1 | 35100-LCA5-305-M1 | SW ASSY COMB | SW ASSY COMB | 1 | |
| | 35100-LCA5-305-M2 | 35100-LCA5-305-M2 | SW ASSY COMB | SW ASSY COMB | 1 | |
| | 35850 | 35850-LDB5-E00 | SET START MAG | SET START MAG | 1 | |
| | 38110 | 38110-LDB5-E00 | HORN COMP | HORN COMP | 1 | |
| | 38200 | 38200-KEBE-900 | BOX COMP FUSE | BOX COMP FUSE | 1 | |
| | 38300-LBC6-90A | 38300-LBC6-90A | RELAY COMP WINKER | RELAY COMP WINKER | 1 | |
| | 38500-KHD8-900 | 38500-KHD8-900 | RELAY ASSY LIGHT | RELAY ASSY LIGHT | 3 | |
| | 38500-KHD8-90A | 38500-KHD8-90A | RELAY ASSY LIGHT | RELAY ASSY LIGHT | 1 | |

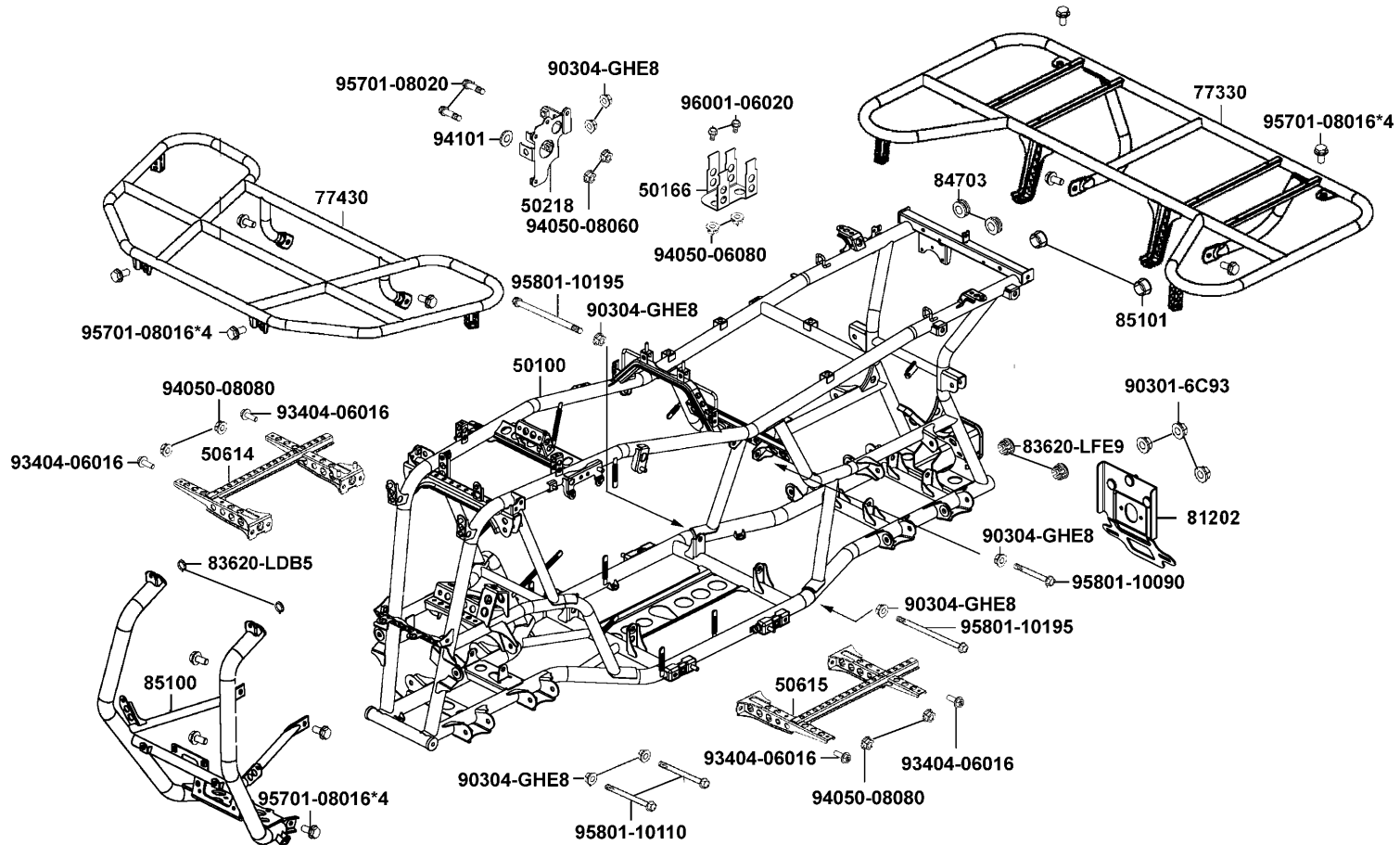
F21

Harness Wire



| Sales mark | Ref no | Part no | Description | Reg description | Regd no | F21 |
|------------|----------------|----------------|------------------------|------------------------|---------|------------|
| | 39100 | 39100-LBA7-E00 | EMI FILTER FAN MOTOR | EMI FILTER FAN MOTOR | 1 | |
| | 53600-KKAK-E0A | 53600-KKAK-E0A | LOCK STEERING HNDL | LOCK STEERING HNDL | 1 | |
| | 53600-KKAK-E0B | 53600-KKAK-E0B | LOCK SET STRG HANDLE | LOCK STEERING HNDL | 1 | |
| | 90164 | 90164-0H28-900 | SCREW FLAT U LOCK 6*12 | SCREW FLAT U LOCK 6*12 | 2 | |
| | 94050 | 94050-06080 | NUT FLANGE 6MM | NUT FLANGE 6MM | 2 | |
| | 95701-06012 | 95701-06012-06 | BOLT FLANGE 6*12 | BOLT FLANGE 6*12 | 1 | |
| | 95701-06016 | 95701-06016-06 | BOLT FLANGE 6*16 | BOLT FLANGE 6*16 | 3 | |
| | 96001-06016 | 96001-06016-08 | BOLT FLANGE SH 6*16 | BOLT FLANGE SH 6*16 | 2 | |
| | 98200-31000 | 98200-31000 | BLADE FUSE 10A | BLADE FUSE 10A | 1 | |
| | 98200-31500 | 98200-31500 | BLADE FUSE 15A | BLADE FUSE 15A | 3 | |
| | 98200-33000 | 98200-33000 | BLADE FUSE 30A | BLADE FUSE 30A | 2 | |

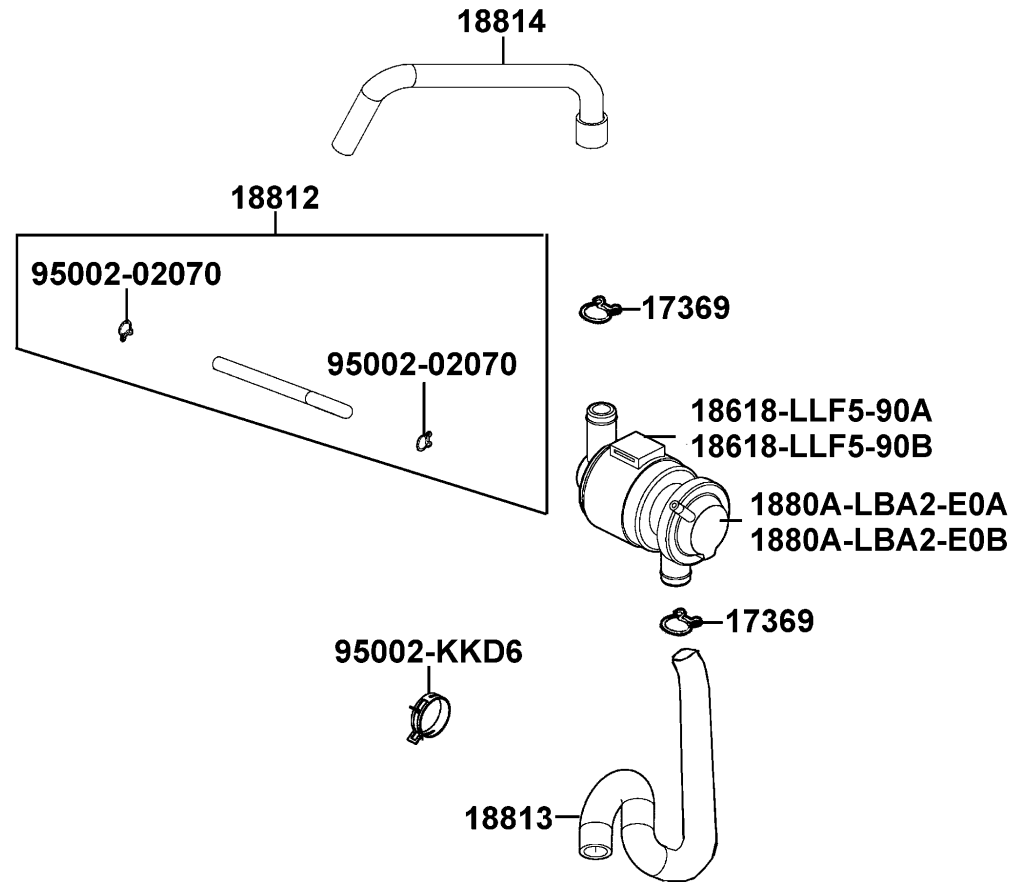
| Sales mark | Ref no | Part no | Description | Reg description | Regd no | F22 |
|------------|-------------|----------------|-----------------------|-----------------------|---------|------------|
| | 50100 | 50100-LFE9-E00 | BODY COMP FRAME | BODY COMP FRAME | 1 | |
| | 50166 | 50166-LDB5-E00 | STAY START MAG SW | STAY START MAG SW | 1 | |
| | 50218 | 50218-LDB5-E00 | STAY ELE SET | STAY ELE SET | 1 | |
| | 50614 | 50614-LDB5-E00 | STAY R FLOOR PANEL | STAY R FLOOR PANEL | 1 | |
| | 50615 | 50615-LDB5-E00 | STAY L FLOOR PANEL | STAY L FLOOR PANEL | 1 | |
| ** | 77330 | 77330-LDB5-E00 | REAR CARRIER LUGGAGE | REAR CARRIER LUGGAGE | 1 | |
| ** | 77430 | 77430-LDB5-E60 | FRONT CARRIER LUGGAGE | FRONT CARRIER LUGGAGE | 1 | |
| | 81202 | 81202-LDB5-E00 | STAY NUMBER PLATE | STAY NUMBER PLATE | 1 | |
| | 83620-LDB5 | 83620-LDB5-E00 | CAP PIPE | CAP PIPE | 2 | |
| | 83620-LFE9 | 83620-LFE9-E00 | CAP PIPE | CAP PIPE | 2 | |
| | 84703 | 84703-LLB1-900 | RUBBER TAIL LIGHT | RUBBER TAIL LIGHT | 2 | |
| ** | 85100 | 85100-LFE9-E00 | PIPE COMP FR BUMPER | PIPE COMP FR BUMPER | 1 | |
| | 85101 | 85101-LCA5-E00 | CAP PIPE | CAP PIPE | 2 | |
| | 90301 | 90301-6C93-001 | NUT 6MM OPENSTAY | NUT FLANGE 6MM | 3 | |
| | 90304 | 90304-GHE8-004 | NUT U 10MM | NUT U 10MM | 7 | |
| | 93404-06016 | 93404-06016-06 | BOLT WASHER 6*16 | BOLT WASHER 6*16 | 4 | |
| | 94050-06080 | 94050-06080 | NUT FLANGE 6MM | NUT FLANGE 6MM | 2 | |
| | 94050-08060 | 94050-08060 | NUT FLANGE 8MM | NUT FLANGE 8MM | 2 | |
| | 94050-08080 | 94050-08080 | NUT FLANGE 8MM | NUT FLANGE 8MM | 4 | |
| | 94101 | 94101-08600 | WASHER PLAIN 8MM | WASHER PLAIN 8MM | 1 | |



| Sales mark | Ref no | Part no | Description | Reg description | Regd no | F22 |
|------------|-------------|----------------|--------------------|--------------------|---------|------------|
| | 95701-08016 | 95701-08016-06 | BOLT FLANGE 8*16 | BOLT FLANGE 8*16 | 12 | |
| | 95701-08020 | 95701-08020-06 | BOLT FLANGE 8*20 | BOLT FLANGE 8*20 | 2 | |
| | 95801-10090 | 95801-10090-06 | BOLT FLANGE 10*90 | BOLT FLANGE 10*90 | 1 | |
| | 95801-10110 | 95801-10110-06 | BOLT FLANGE 10*110 | BOLT FLANGE 10*110 | 2 | |
| | 95801-10195 | 95801-10195-06 | BOLT FLANGE 10*195 | BOLT FLANGE 10*195 | 2 | |
| | 96001-06020 | 96001-06020-06 | BOLT FLANGE 6*20 | BOLT FLANGE 6*20 | 2 | |

| Sales mark | Ref no | Part no | Description | Reg description | Regd no | F23 |
|------------|----------------|----------------|---------------------------------|---------------------------------|---------|------------|
| | 11344 | 11344-LFE9-E00 | DUCT B L CASE | DUCT B L CASE | 1 | |
| | 11345 | 11345-LFE9-E00 | DUCT A L CASE | DUCT A L CASE | 1 | |
| | 11346 | 11346-LDB5-E00 | BAND 56*96 FRONT CVT | BAND 56*96 FRONT CVT | 1 | |
| | 11350 | 11350-LDB5-E00 | ELEMENT DUCT A L COVER | ELEMENT DUCT A L COVER | 1 | |
| | 19005-LDB5-E00 | 19005-LDB5-E00 | SHROUD ASSY | SHROUD ASSY | 1 | |
| | 19005-LDB5-E0A | 19005-LDB5-E0A | SHROUD ASSY | SHROUD ASSY | 1 | |
| | 19010 | 19010-LDB5-E00 | RADIATOR COMP | RADIATOR COMP | 1 | |
| | 19012 | 19012-KHD8-900 | UNIT RADIATOR | UNIT RADIATOR | 1 | |
| | 19015 | 19015-LBA2-E00 | SHROUD COMP | SHROUD COMP | 1 | |
| | 19020 | 19020-LBA2-E00 | FAN COOLING | FAN COOLING | 1 | |
| | 19030 | 19030-LDB5-E00 | MOTOR ASSY FAN | MOTOR ASSY FAN | 1 | |
| | 19101 | 19101-LFE9-E00 | TANK RESERVE | TANK RESERVE | 1 | |
| | 19104 | 19104-LDB5-E00 | HOSE ASSY DRAIN | HOSE ASSY DRAIN | 1 | |
| | 19105 | 19105-LDB5-E00 | HOSE ASSY RESERVE TANK-PRESSURE | HOSE ASSY RESERVE TANK-PRESSURE | 1 | |
| | 19111 | 19111-GBE2-004 | CAP COMP | CAP COMP | 1 | |
| | 19210 | 19210-KKC4-900 | CAP RESERVE TANK | CAP RESERVE TANK | 1 | |
| | 19505-LBA2 | 19505-LBA2-E00 | CLAMP WATER HOSE | CLAMP WATER HOSE | 2 | |
| | 19505-LDB5 | 19505-LDB5-E00 | HOSE WATER F ENG-RADIATOR | HOSE WATER F ENG-RADIATOR | 1 | |
| | 19506 | 19506-LDB5-E00 | HOSE WATER G RADIATOR-PRESSURE | HOSE WATER G RADIATOR-PRESSURE | 1 | |
| | 37760 | 37760-KHD8-900 | SW ASSY THERMO | SW ASSY THERMO | 1 | |

| Sales mark | Ref no | Part no | Description | Reg description | Regd no | F23 |
|-------------|--------|----------------|------------------------|------------------------|---------|------------|
| 38773 | | 38773-PKB9-001 | JOINT 3 WAY 3.5 | JOINT 3 WAY 3.5 | 1 | |
| 61344 | | 61344-LDB5-E00 | CHAMBER LC COVER DUCT | CHAMBER LC COVER DUCT | 1 | |
| 61345 | | 61345-LFE9-E00 | CHAMBER L COVER DUCT B | CHAMBER L COVER DUCT B | 1 | |
| 64317 | | 64317-LDB5-E00 | STAY RADIATOR UPPER | STAY RADIATOR UPPER | 1 | |
| 64318 | | 64318-LDB5-E00 | STAY RADIATOR LOWER | STAY RADIATOR LOWER | 1 | |
| 84703 | | 84703-LLB1-900 | RUBBER TAIL LIGHT | RUBBER TAIL LIGHT | 2 | |
| 90652-LCA4 | | 90652-LCA4-E00 | CLIP MUDGUARD | CLIP MUDGUARD | 1 | |
| 90652-LDB5 | | 90652-LDB5-E00 | BAND 67 FRONT CVT DUCT | BAND 67 FRONT CVT DUCT | 1 | |
| 90653 | | 90653-LDB5-E00 | BAND 81 REAR CVT DUCT | BAND 81 REAR CVT DUCT | 1 | |
| 90914 | | 90914-LFE9-E00 | TUBE ASSY WATER | TUBE ASSY WATER | 1 | |
| 93404-06012 | | 93404-06012-06 | BOLT WASH 6*12 | BOLT WASHER 6*12 | 8 | |
| 93404-06016 | | 93404-06016-06 | BOLT WASHER 6*16 | BOLT WASHER 6*16 | 12 | |
| 95002-02070 | | 95002-02070 | CLIP B7 TUBE | CLAMP D6.8 TUBE | 5 | |
| 95002-02100 | | 95002-02100 | CLIP B15 TUBE | CLIP B10 TUBE | 1 | |
| 95002-45000 | | 95002-45000 | CLIP C8 TUBE | CLIP C8 TUBE | 1 | |
| 95002-70000 | | 95002-70000 | CLIP C11 TUBE | CLIP C11 TUBE | 2 | |
| 95002-KHE7 | | 95002-KHE7-900 | CLIP WATER HOSE | CLIP WATER HOSE | 2 | |
| 95701-06012 | | 95701-06012-06 | BOLT FLANGE 6*12 | BOLT FLANGE 6*12 | 1 | |



| Sales mark | Ref no | Part no | Description | Reg description | Regd no | F24 |
|------------|----------------|----------------|----------------------|----------------------|---------|------------|
| | 17369 | 17369-KDB4-671 | CLIP BREATHER TUBE | CLIP BREATHER TUBE | 2 | |
| | 18618-LLF5-90A | 18618-LLF5-90A | RUBBER AICV MOUNT | RUBBER AICV MOUNT | 1 | |
| | 18618-LLF5-90B | 18618-LLF5-90B | RUBBER AICV MOUNT | RUBBER AICV MOUNT | 1 | |
| | 1880A-LBA2-E0A | 1880A-LBA2-E0A | AI/C-AICV ASSY | AI/C-AICV ASSY | 1 | |
| | 1880A-LBA2-E0B | 1880A-LBA2-E0B | AI/C AICV ASSY | AI/C-AICV ASSY | 1 | |
| | 18812 | 18812-LDB5-E00 | TUBE ASSY VACUUM | TUBE ASSY VACUUM | 1 | |
| | 18813 | 18813-LDB5-E00 | DUCT AICV-REED VALVE | DUCT AICV-REED VALVE | 1 | |
| | 18814 | 18814-LDB5-E00 | DUCT AIR-AICV | DUCT AIR-AICV | 1 | |
| | 95002-02070 | 95002-02070 | CLIP B7 TUBE | CLAMP D6.8 TUBE | 2 | |
| | 95002-KKD6 | 95002-KKD6-E05 | CLAMP D18 TUBE | CLAMP D18 TUBE | 1 | |

AVERTISSEMENT
 NE JAMAIS DÉPASSER 16 KM/H LORSQUE LE DIFFÉRENTIEL AVANT EST VERROUILLÉ. RISQUE DE PERTE DE CONTRÔLE ET DE BLESSURES GRAVES OU DE MORT EN CAS DE NON RESPECT. 87529-LFE9-E60

87529

AVERTISSEMENT
 Une pression de gonflage incorrecte des pneumatiques ou une surcharge peut entraîner la perte de contrôle du véhicule. Une perte de contrôle peut causer des blessures graves ou la mort.
 Pression de service des pneumatiques : Réglez avec des pneus froids.
Recommandée :
 Avant : $35 \pm 3 \text{ kPa}$, $0.35 \pm 0.03 \text{ kgf/cm}^2$, $0.5 \pm 0.4 \text{ psi}$
 Arrière : $32 \pm 3 \text{ kPa}$, $0.32 \pm 0.03 \text{ kgf/cm}^2$, $4.5 \pm 0.4 \text{ psi}$
 • Ne réglez jamais d'exceder la pression des pneus recommandée. 87505-LFE9-E63

87505

AVERTISSEMENT
 Avant toute manipulation de la boîte d'inversion, le véhicule doit être à l'arrêt complet et le régime moteur suffisamment au ralenti. Le non respect de cette consigne entraîne la détérioration de la transmission. 87322-LBA7-E100-FR

87322

AVERTISSEMENT
 MOINS DE 16
 Conduire ce VTT si vous avez moins de 16 ans augmente le risque de subir des accidents menant à des blessures graves ou la mort.
 NE JAMAIS conduire ce VTT si vous avez moins de 16 ans. 87517-LDB5-L62

87517

AVERTISSEMENT
 Dépassez le limite de remorquage de véhicule peut causer un accident. Retenez la vitesse lors de la traction par remorque. Veuillez vous référer au manuel du propriétaire pour les conditions d'utilisation.
 Poids maximal sur fiche : 35 lbs. (16 kg)
 Poids maximal remorquable hors voie publique : 330 lbs. (150 kg) 87514-LFE9-E63

87514

AVERTISSEMENT
 Ne jamais porter de passager sur ce porte bagages. Capacité de chargement maximum: 45 kg (100 lbs). 87556-LDB5-E62

87556-LDB5-E62

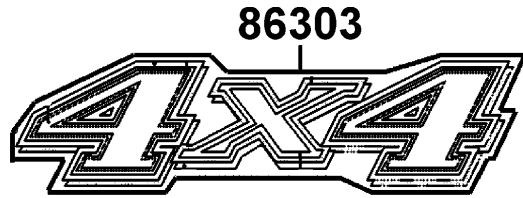
AVERTISSEMENT
 Ne jamais porter de passager sur ce porte bagages. Capacité de chargement maximum: 85 kg (187 lbs). 87556-LDB5-E63

87556-LDB5-E63

AVERTISSEMENT
 Un usage incorrect de cet étiquette peut entraîner de graves blessures ou la mort.
 Ne jamais utiliser :
 • sans les instructions ou entraînement préalable.
 • des vitesses trop élevées pour vos capacités et/ou conditions d'usage.
 • après consommation d'alcool ou de drogue.
 • sans équipement de protection adéquat (casque, lunettes, gants, etc.).
 TOUJOURS :
 • utiliser des techniques de conduite appropriées pour éviter le ramassage de graviers, pierres, etc.
 • maintenir une bonne posture et éviter les postures de chaise ou de lit.
 • utiliser ce quadricycle dans le respect du code de la route et de la réglementation en vigueur.
 TOUJOURS PRENDRE CONNAISSANCE DU MANUEL D'UTILISATION DU VÉHICULE, EN PARTICULIER DES INSTRUCTIONS ET AVERTISSEMENTS. 87515-LDB5-E61

87515

| Sales mark | Ref no | Part no | Description | Reg description | Regd no | F25 |
|------------|----------------|----------------|--------------------------------|----------------------------------|---------|------------|
| ** | 87322 | 87322-LBA7-E61 | CAUTION SHIFT GEARS | CAUTION SHIFT GEARS | 1 | |
| ** | 87505 | 87505-LFE9-E63 | LABEL TIRE ON ROAD | LABEL TIRE ON ROAD | 1 | |
| ** | 87514 | 87514-LFE9-E63 | CAUTION MAXIMUM CAPACITY-ON | CAUTION MAXIMUM CAPACITY-ON ROAD | 1 | |
| ** | 87515 | 87515-LDB5-E61 | DRIVE WARNING LIST-ON ROAD | DRIVE WARNING LIST-ON ROAD | 1 | |
| ** | 87517 | 87517-LDB5-E60 | WARNING DRIVE AGE-16 | CAUTION DRIVE AGE 16 | 1 | |
| ** | 87529 | 87529-LFE9-E60 | WARNING DECAL DIFF LOCK | WARNING DECAL DIFF LOCK | 1 | |
| ** | 87556-LDB5-E62 | 87556-LDB5-E62 | WARNING CARRIER MAX LOAD(45KG) | WARNING CARRIER MAX LOAD(45KG) | 1 | |
| ** | 87556-LDB5-E63 | 87556-LDB5-E63 | WARNING CARRIER MAX LOAD(85KG) | WARNING CARRIER MAX LOAD(85KG) | 1 | |



86302



86303



87503



87503



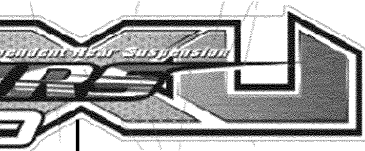
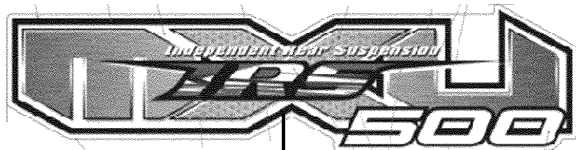
87532-LBE8



86102



87532-LCA5



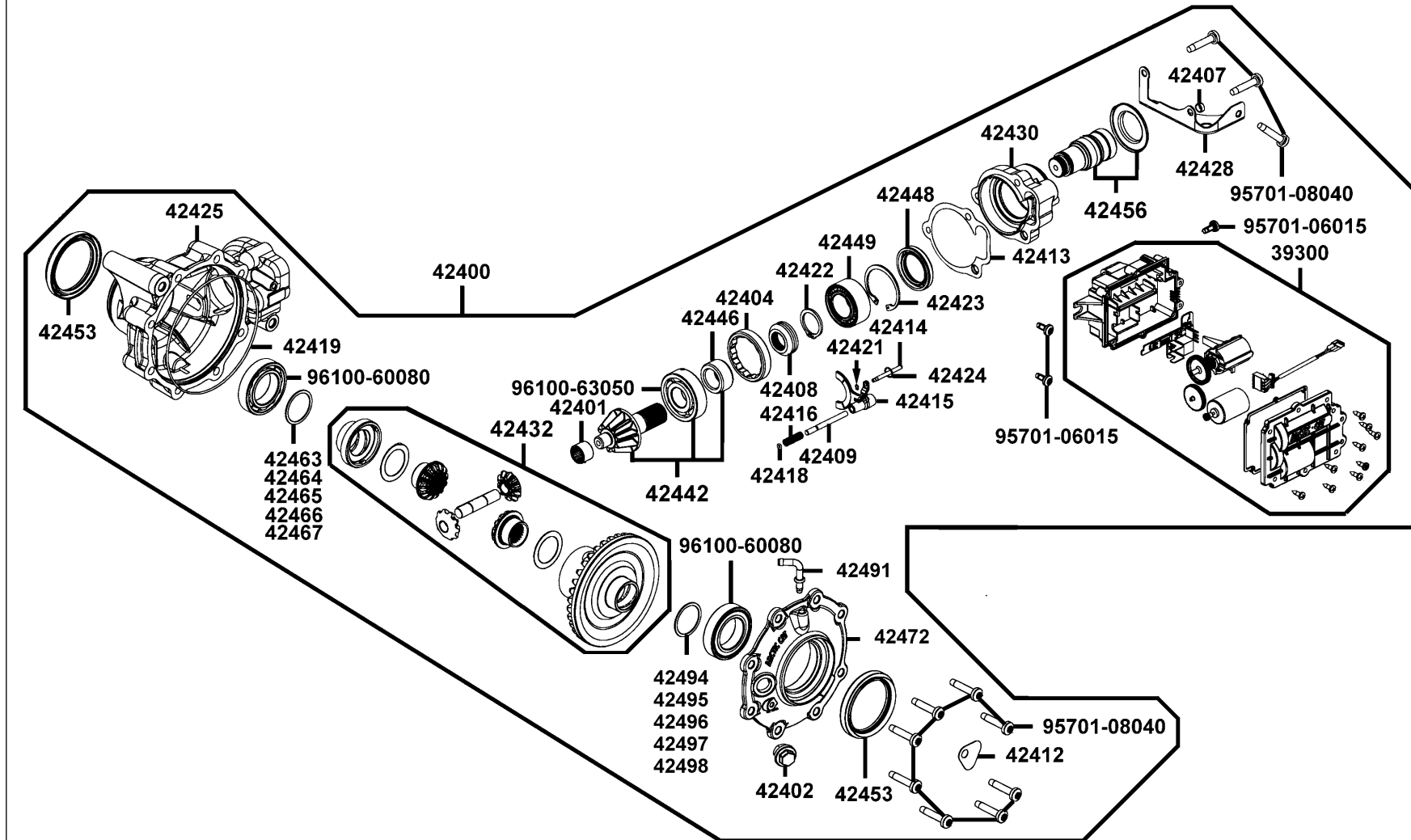
86233

86223

| Sales mark | Ref no | Part no | Description | Reg description | Regd no | F26 |
|------------|------------|----------------|------------------------|------------------------|---------|------------|
| ** | 86102 | 86102-LDB5-900 | STRIPE K-LOGO 28.5MM | STRIPE K-LOGO 28.5MM | 1 | |
| ** | 86223 | 86223-LFE9-E61 | STRIPE R FUEL TANK | STRIPE R FUEL TANK | 1 | |
| ** | 86233 | 86233-LFE9-E61 | STRIPE L FUEL TANK | STRIPE L FUEL TANK | 1 | |
| ** | 86302 | 86302-LDB5-E00 | EMB GEAR REVEAL CHANGE | EMB GEAR REVEAL CHANGE | 1 | |
| ** | 86303 | 86303-LDB5-E00 | STRIPE 4*4 | STRIPE 4*4 | 2 | |
| ** | 87503 | 87503-LDB5-900 | STRIPE KYMCO 120MM | STRIPE KYMCO 120MM | 2 | |
| ** | 87532-LBE8 | 87532-LBE8-900 | STRIPE KYMCO | STRIPE KYMCO | 1 | |
| ** | 87532-LCA5 | 87532-LCA5-900 | STRIPE K-LOGO 60MM | STRIPE K-LOGO 60MM | 1 | |

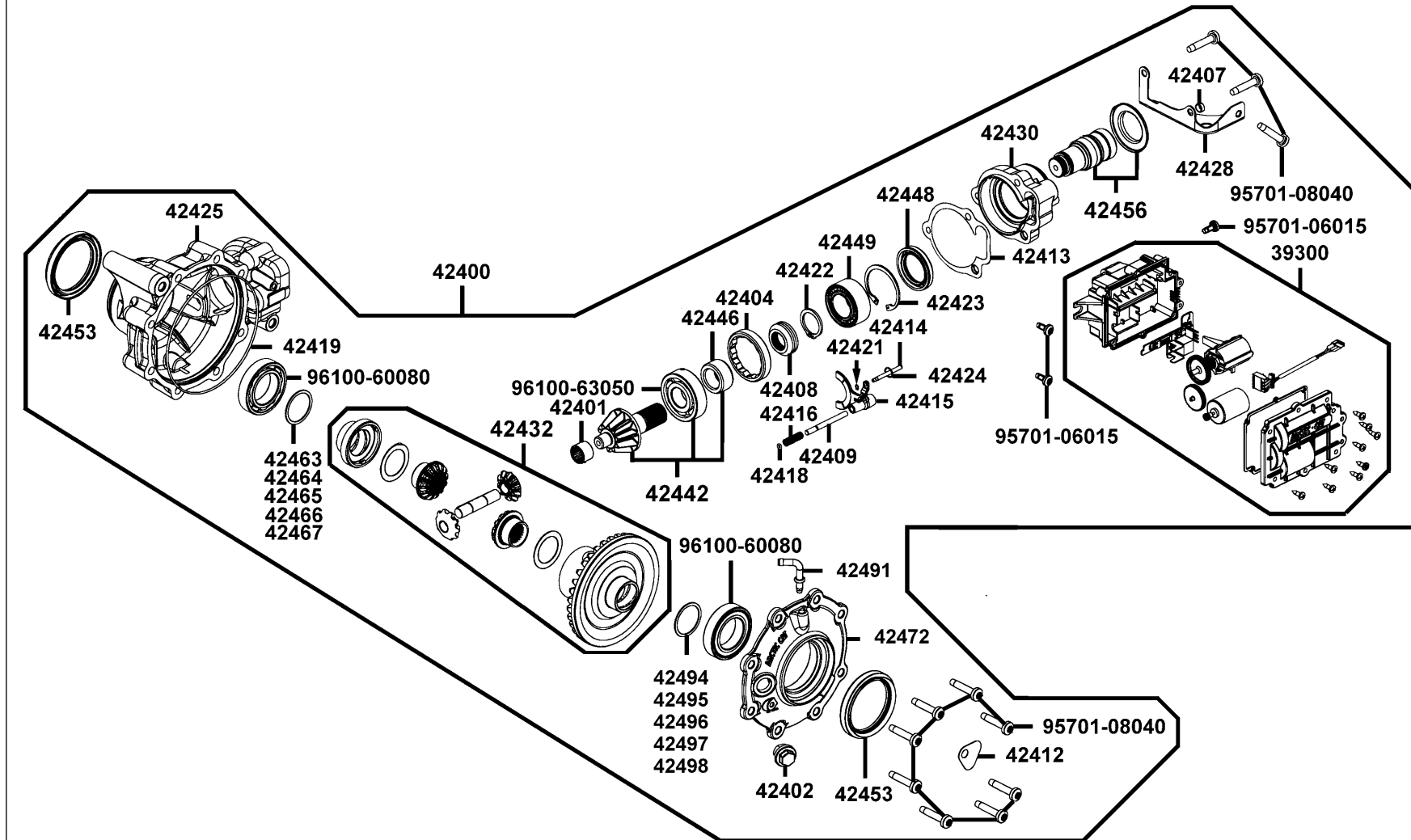
F27

Separated Parts Of Fr Final Differential



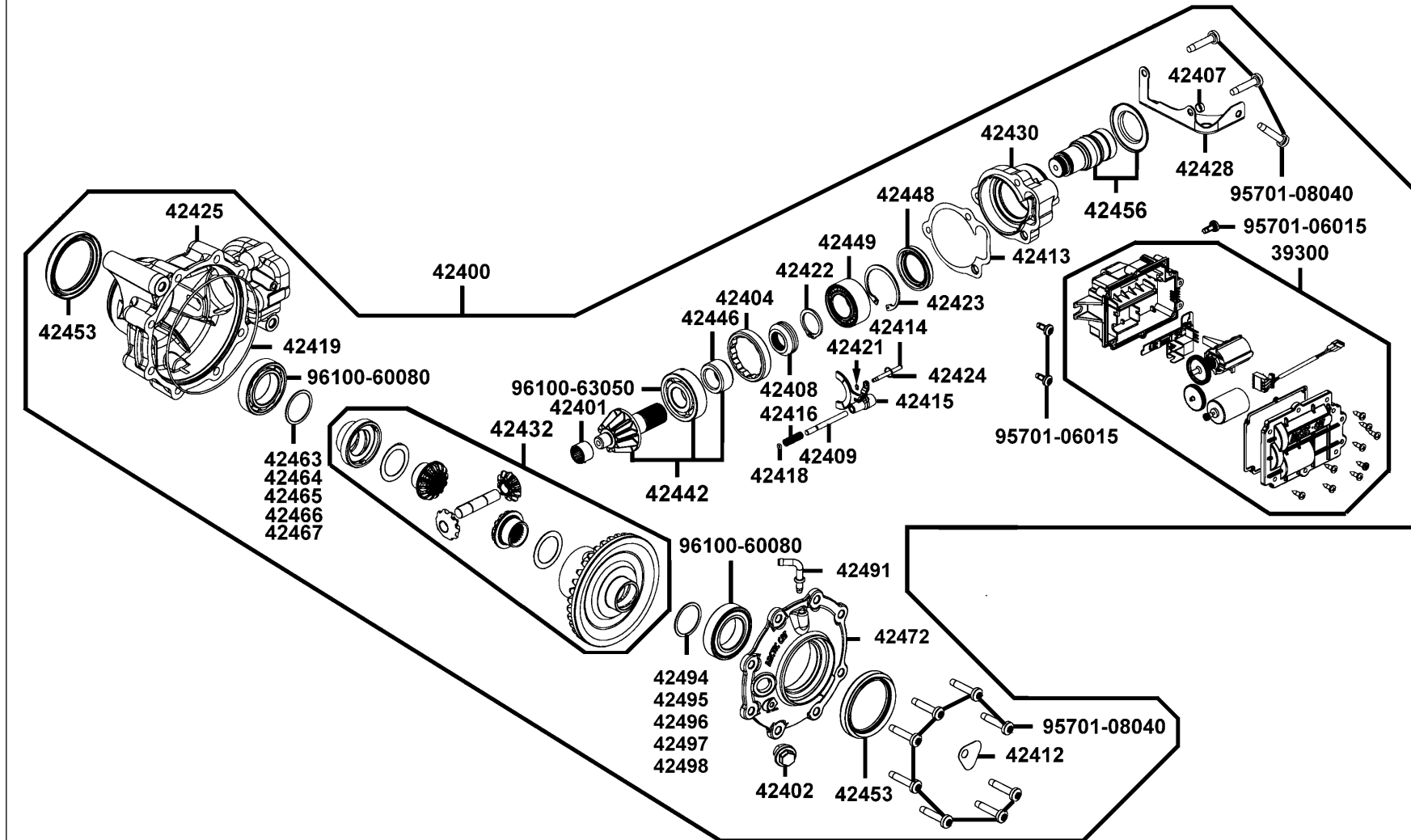
| Sales mark | Ref no | Part no | Description | Reg description | Regd no | F27 |
|------------|--------|----------------|-----------------------------|-----------------------------|---------|------------|
| | 39300 | 39300-LFE9-E00 | ACTUATOR | ACTUATOR | 1 | |
| | 42400 | 42400-LFE9-900 | GEARCASE FRONT(3.6) ASSY | GEARCASE FRONT(3.6) ASSY | 1 | |
| | 42401 | 42401-PWB1-900 | BEARING NEEDLE(16NQ2316) | BEARING NEEDLE(16NQ2316) | 1 | |
| | 42402 | 42402-PWB1-900 | PLUG FULL | PLUG FULL | 1 | |
| | 42404 | 42404-PWB1-900 | COLLAR LOCK M64X1.5RH | COLLAR LOCK M64X1.5RH | 1 | |
| | 42407 | 42407-PWB1-900 | PIN DOWEL | PIN DOWEL | 1 | |
| | 42408 | 42408-PWB1-900 | COUPLE DRIVE | COUPLE DRIVE | 1 | |
| | 42409 | 42409-PWB1-900 | SHAFT SHUTTLE | SHAFT SHUTTLE | 1 | |
| | 42412 | 42412-PWB1-900 | TAG ID-GEARCASE | TAG ID-GEARCASE | 1 | |
| | 42413 | 42413-PWB1-900 | GASKET FLANGE | GASKET FLANGE | 1 | |
| | 42414 | 42414-PWB1-900 | SHAFT SELECTOR | SHAFT SELECTOR | 1 | |
| | 42415 | 42415-PWB1-900 | FORK SELECTOR | FORK SELECTOR | 1 | |
| | 42416 | 42416-PWB1-900 | SPRING RETURN-4WD | SPRING RETURN-4WD | 1 | |
| | 42418 | 42418-PWB1-900 | O-RING 3X2MM | O-RING 3X2MM | 1 | |
| | 42419 | 42419-PWB1-900 | O-RING 150X2MM | O-RING 150X2MM | 1 | |
| | 42421 | 42421-PWB1-900 | RING RETAINING-EXT 4 | RING RETAINING-EXT 4 | 1 | |
| | 42422 | 42422-PWB1-900 | RING RETAINING ONE | RING RETAINING ONE | 1 | |
| | 42423 | 42423-PWB1-900 | RING RETAINING | RING RETAINING | 1 | |
| | 42424 | 42424-PWB1-900 | O-RING ACTUATOR | O-RING ACTUATOR | 1 | |
| | 42425 | 42425-LEE8-900 | HOUSING GEARCASE-FRONT MACH | HOUSING GEARCASE-FRONT MACH | 1 | |

Separated Parts Of Fr Final Differential



| Sales mark | Ref no | Part no | Description | Reg description | Regd no | F27 |
|------------|--------|----------------|----------------------------|----------------------------|---------|-----|
| | 42428 | 42428-LFE9-E00 | BRACKET ACTUATOR WELDMENT | BRACKET ACTUATOR WELDMENT | 1 | |
| | 42430 | 42430-PWB1-900 | HOUSING PINION-MACH | HOUSING PINION-MACH | 1 | |
| | 42432 | 42432-LFE9-E00 | GEAR FR (36TOOTH) WELDMENT | GEAR FR (36TOOTH) WELDMENT | 1 | |
| | 42442 | 42442-LEE8-900 | PINION (10 TOOTH) ASSEMBLY | PINION (10 TOOTH) ASSEMBLY | 1 | |
| | 42446 | 42446-PWB1-900 | COLLAR RETAINING | COLLAR RETAINING | 1 | |
| | 42448 | 42448-PWB1-900 | SEAL | SEAL | 1 | |
| | 42449 | 42449-PWB1-900 | BEARING BALL-DOUBLE ROW | BEARING BALL-DOUBLE ROW | 1 | |
| | 42453 | 42453-PWB1-900 | SEAL 67X84X9 | SEAL 67X84X9 | 2 | |
| | 42456 | 42456-PWB1-900 | SHAFT INPUT-ASSEMBLY | SHAFT INPUT-ASSEMBLY | 1 | |
| | 42463 | 42463-PWB1-900 | SHIM 41*49*1.3 | SHIM 41*49*1.3 | 1 | |
| | 42464 | 42464-PWB1-900 | SHIM 41*49*1.4 | SHIM 41*49*1.4 | 1 | |
| | 42465 | 42465-PWB1-900 | SHIM 41*49*1.5 | SHIM 41*49*1.5 | 1 | |
| | 42466 | 42466-PWB1-900 | SHIM 41*49*1.6 | SHIM 41*49*1.6 | 1 | |
| | 42467 | 42467-PWB1-900 | SHIM 41*49*1.7 | SHIM 41*49*1.7 | 1 | |
| | 42472 | 42472-LFE9-E00 | COVER E-LOCKER ASSEMBLY | COVER E-LOCKER ASSEMBLY | 1 | |
| | 42491 | 42491-LEE8-900 | BARB 90 DEG | BARB 90 DEG | 1 | |
| | 42494 | 42494-LEE8-900 | SHIM 61*69*1.3mm | SHIM 61*69*1.3mm | 1 | |
| | 42495 | 42495-LEE8-900 | SHIM 61*69*1.4mm | SHIM 61*69*1.4mm | 1 | |
| | 42496 | 42496-LEE8-900 | SHIM 61*69*1.5mm | SHIM 61*69*1.5mm | 1 | |
| | 42497 | 42497-LEE8-900 | SHIM 61*69*1.6mm | SHIM 61*69*1.6mm | 1 | |

Separated Parts Of Fr Final Differential



| Sales mark | Ref no | Part no | Description | Reg description | Regd no | F27 |
|------------|-------------|----------------|----------------------|----------------------|---------|------------|
| | 42498 | 42498-LEE8-900 | SHIM 61*69*1.7 mm | SHIM 61*69*1.7 mm | 1 | |
| | 95701-06015 | 95701-06015-08 | BOLT FLANGE 6*15 (C) | BOLT FLANGE 6*15 (C) | 3 | |
| | 95701-08040 | 95701-08040-08 | BOLT FLANGE 8*40 | BOLT FLANGE 8*40 | 11 | |
| | 96100-60080 | 96100-60080-00 | BRG RADIAL BALL 6008 | BRG RADIAL BALL 6008 | 1 | |
| | 96100-63050 | 96100-63050-00 | BRG BALL RADIAL 6305 | BRG BALL RADIAL 6305 | 1 | |

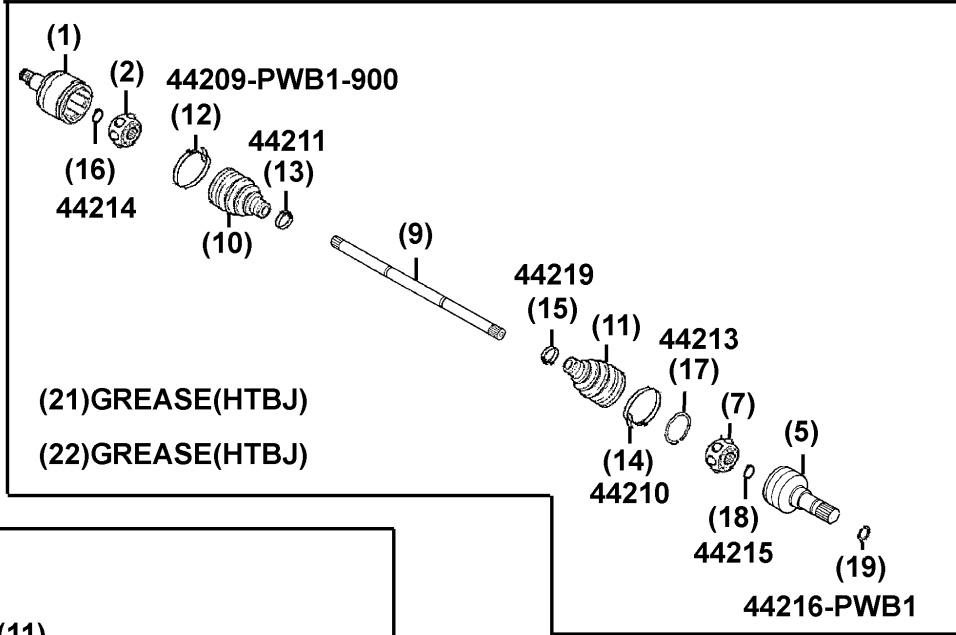
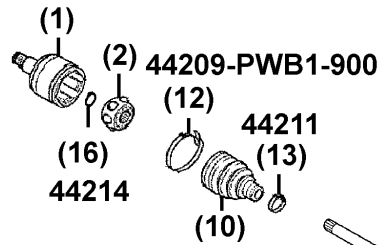
Separated Parts Of CVJ

44208-PWB1-305 INCLUDES NO.10.12.13.16.19.21
44209-PWB1-305 INCLUDES NO.11.14.15.17.18.19.22

44200
44250

42200
42250

(20)GREASE(HTBJ)
(21)GREASE(HTBJ)



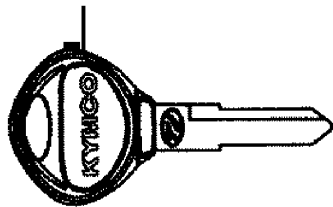
(21)GREASE(HTBJ)
(22)GREASE(HTBJ)

44208-LFE9-305 INCLUDES NO.10.12.13.16.19.20
44209-LEE8-305 INCLUDES NO.11.14.15.17.18.19.21

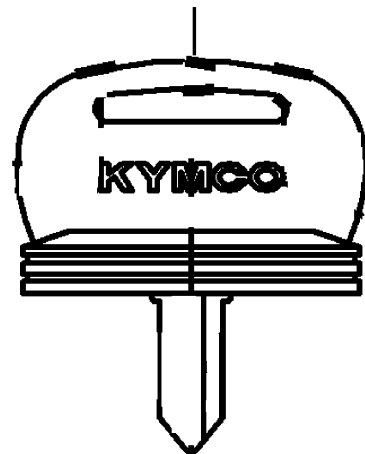
44216-LEE8

| Sales mark | Ref no | Part no | Description | Reg description | Regd no | F28 |
|----------------|--------|----------------|-----------------------------|-----------------------------|---------|------------|
| 42200 | | 42200-LFE9-E00 | HALF SHAFT REAR-RH | HALF SHAFT REAR-RH | 1 | |
| 42250 | | 42250-LFE9-E00 | HALF SHAFT REAR-LH | HALF SHAFT REAR-LH | 1 | |
| 44200 | | 44200-LFE9-E00 | HALF SHAFT FRONT-RH | HALF SHAFT FRONT-RH | 1 | |
| 44208-LFE9-305 | | 44208-LFE9-305 | WHEEL SIDE BOOT SERVICE KIT | WHEEL SIDE BOOT SERVICE KIT | 1 | |
| 44208-PWB1-305 | | 44208-PWB1-305 | WHEEL SIDE BOOT SERVICE KIT | WHEEL SIDE BOOT SERVICE KIT | 1 | |
| 44209-LEE8-305 | | 44209-LEE8-305 | DIFF SIDE BOOT SERVICE KIT | DIFF SIDE BOOT SERVICE KIT | 1 | |
| 44209-PWB1-305 | | 44209-PWB1-305 | DIFF SIDE BOOT SERVICE KIT | DIFF SIDE BOOT SERVICE KIT | 1 | |
| 44209-PWB1-900 | | 44209-PWB1-900 | BOOT-BAND (L) | BOOT-BAND (L) | 2 | |
| 44210 | | 44210-PWB1-900 | BOOT-BAND (L) | BOOT-BAND (L) | 2 | |
| 44211 | | 44211-PWB1-900 | BOOT-BAND (S) | BOOT-BAND (S) | 2 | |
| 44213 | | 44213-PWB1-900 | CIRCLIP (DOJ MONTH) | CIRCLIP (DOJ MONTH) | 2 | |
| 44214 | | 44214-PWB1-900 | CIRCLIP | CIRCLIP | 2 | |
| 44215 | | 44215-PWB1-900 | SNAP RING | SNAP RING | 2 | |
| 44216-LEE8 | | 44216-LEE8-E00 | CIRCLIP DOJ STEM | CIRCLIP DOJ STEM | 1 | |
| 44216-PWB1 | | 44216-PWB1-900 | CIRCLIP (DOJ STEM) | CIRCLIP (DOJ STEM) | 1 | |
| 44219 | | 44219-PWB1-900 | BOOT-BAND (S) | BOOT-BAND (S) | 2 | |
| 44250 | | 44250-LFE9-E00 | HALF SHAFT FRONT-LH | HALF SHAFT FRONT-LH | 1 | |

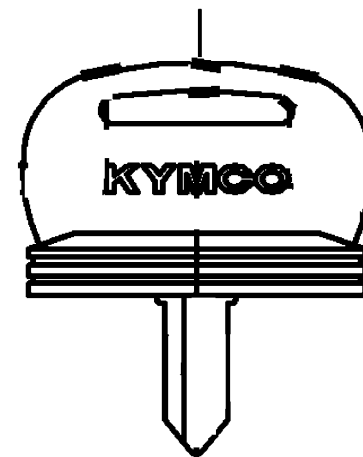
35111-LLB1-327-M2



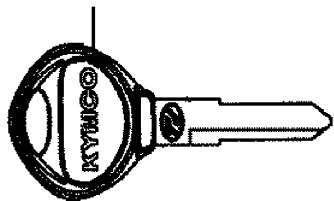
35111-LCA5-325-M1



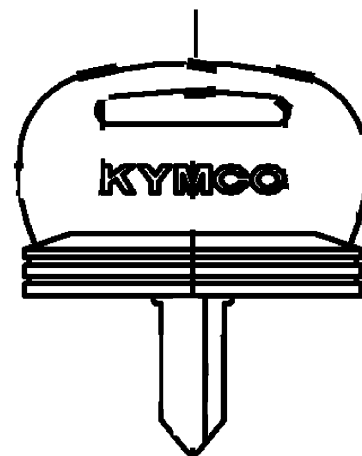
35111-LCA5-326-M1



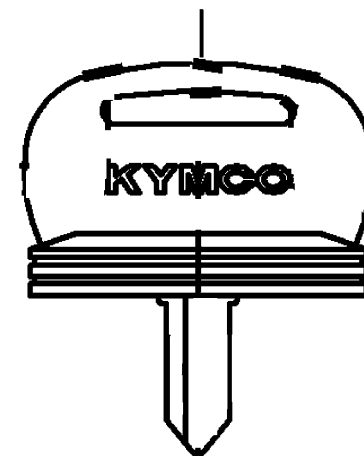
35111-LLB1-328-M2



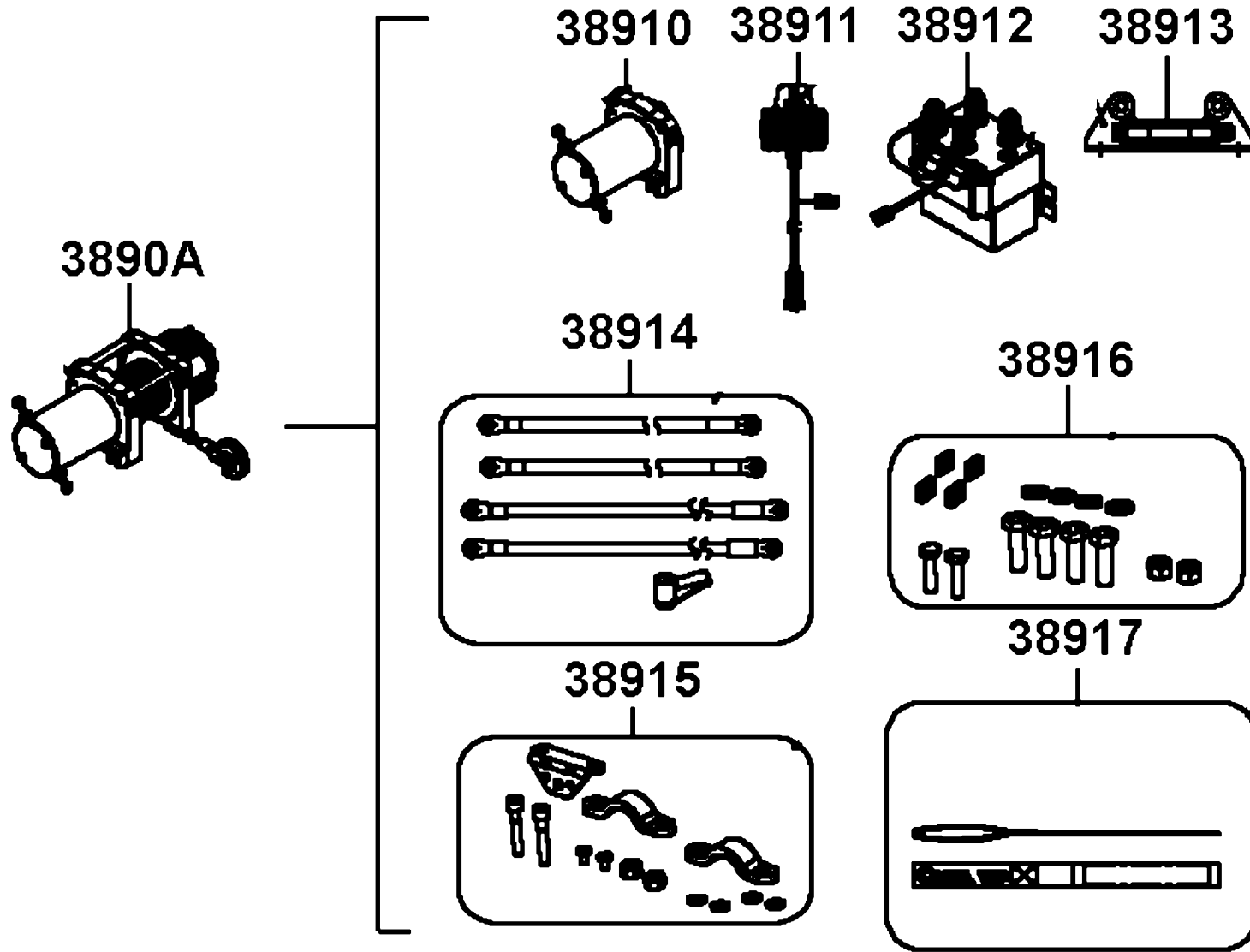
35111-LCA5-325-M2



35111-LCA5-326-M2



| Sales mark | Ref no | Part no | Description | Reg description | Regd no | F29 |
|------------|-------------------|-------------------|-----------------------|-----------------------|---------|------------|
| | 35111-LCA5-325-M1 | 35111-LCA5-325-M1 | KEY COMP(FOR SERVICE) | KEY COMP(FOR SERVICE) | 1 | |
| | 35111-LCA5-325-M2 | 35111-LCA5-325-M2 | KEY COMP(FOR SERVICE) | KEY COMP(FOR SERVICE) | 1 | |
| | 35111-LCA5-326-M1 | 35111-LCA5-326-M1 | KEY COMP(FOR SERVICE) | KEY COMP(FOR SERVICE) | 1 | |
| | 35111-LCA5-326-M2 | 35111-LCA5-326-M2 | KEY COMP(FOR SERVICE) | KEY COMP(FOR SERVICE) | 1 | |
| | 35111-LLB1-327 | 35111-LLB1-327-M2 | KEY COMP(FOR SERVICE) | KEY COMP(FOR SERVICE) | 1 | |
| | 35111-LLB1-328 | 35111-LLB1-328-M2 | KEY COMP(FOR SERVICE) | KEY COMP(FOR SERVICE) | 1 | |



| Sales mark | Ref no | Part no | Description | Reg description | Regd no | F30 |
|------------|--------|----------------|---------------------------|---------------------------|---------|------------|
| | 3890A | 3890A-LFE9-E02 | ASSY WINCH | ASSY WINCH | 1 | |
| | 38910 | 38910-LFE9-E02 | WINCH COMP | WINCH COMP | 1 | |
| | 38911 | 38911-LFE9-E02 | ROCKER SWITCH CABLE | ROCKER SWITCH CABLE | 1 | |
| | 38912 | 38912-LFE9-E02 | RELAY ASSY WINCH | RELAY ASSY WINCH | 1 | |
| | 38913 | 38913-LFE9-E02 | ROLLER FAIRLEAD | ROLLER FAIRLEAD | 1 | |
| | 38914 | 38914-LFE9-E02 | POWER WIRE | POWER WIRE | 1 | |
| | 38915 | 38915-LFE9-E02 | SWITCH MOUNTING COMPONENT | SWITCH MOUNTING COMPONENT | 1 | |
| | 38916 | 38916-LFE9-E02 | HARDWARE | HARDWARE | 1 | |
| | 38917 | 38917-LFE9-E02 | HOOK PART ACCESSORIES | HOOK PART ACCESSORIES | 1 | |

PART NO. INDEX

| PART NO. | VERSION | PAGE | PART NO. | VERSION | PAGE | PART NO. | VERSION | PAGE |
|----------------|---------|------|----------------|---------|------|----------------|---------|------|
| 11000 | | | 11704-LCA5-E00 | 1 | E04 | 13000 | | |
| 1110A-LDB5-E00 | 0 | E01 | 11706-LDB5-E00 | 1 | E04 | 1300A-LDB5-309 | 1 | E03 |
| 1119A-LDB5-E00 | 4 | E01 | 11707-LDB5-E00 | 1 | E04 | 13011-LBA2-E0A | 1 | E03 |
| 11203-LDB5-E00 | 3 | F14 | 11708-LCA5-E00 | 1 | E04 | 13101-LDG7-E00 | 2 | E03 |
| 11330-LEE8-E00 | 1 | E04 | 12000 | | | 13111-LBA2-E00 | 4 | E03 |
| 11341-LDB5-E00 | 4 | E01 | 12100-LDB5-E00 | 4 | E03 | 14000 | | |
| 11341-LDB5-E00 | 5 | E01 | 12103-LBA2-E00 | 1 | E03 | 1411A-LBA2-E00 | 11 | E02 |
| 11344-LFE9-E00 | 2 | F23 | 12191-LDB5-E00 | 2 | E03 | 1412A-LDG7-E00 | 4 | E02 |
| 11345-LFE9-E00 | 0 | F23 | 12205-KHE8-301 | 1 | E02 | 14153-LBA2-E00 | 3 | E02 |
| 11346-LDB5-E00 | 2 | F23 | 12206-LBA2-E00 | 2 | E02 | 14154-LBA2-E00 | 1 | E02 |
| 11348-LDB5-E00 | 2 | E04 | 12208-LBA2-E00 | 3 | E02 | 14321-KED9-900 | 5 | E02 |
| 11350-LDB5-E00 | 3 | F23 | 12209-GDB4-68A | 0 | E02 | 14321-LBA2-E00 | 2 | E02 |
| 11394-LDB5-E00 | 2 | E04 | 1220A-LDG7-900 | 5 | E02 | 14401-LBA2-E00 | 1 | E03 |
| 11395-LDB5-E00 | 1 | E01 | 1220C-LEE8-E00 | 0 | E02 | 14451-LBA2-E00 | 2 | E02 |
| 11441-LDB5-910 | 1 | E05 | 12251-LBA2-E00 | 4 | E03 | 14510-LDB5-E00 | 5 | E03 |
| 11442-LDB5-900 | 3 | E05 | 12303-LBA2-E00 | 3 | E02 | 14520-LDB5-E00 | 2 | E03 |
| 11443-LDB5-900 | 2 | E05 | 12310-LDB5-E00 | 1 | E02 | 14523-KED9-900 | 0 | E03 |
| 11451-LDB5-E00 | 4 | E05 | 12311-KBE2-900 | 4 | E02 | 14531-KED9-900 | 4 | E03 |
| 11495-LDB5-E00 | 2 | E05 | 12361-GFY6-901 | 1 | E01 | 14546-LBA2-E00 | 4 | E02 |
| 11496-LDB5-E00 | 3 | E01 | 12361-GFY6-901 | 1 | F16 | 14552-KGBG-900 | 0 | E02 |
| 11700-LDB5-E00 | 2 | E04 | 12391-LBA2-E00 | 1 | E02 | 14610-LBA2-E00 | 5 | E03 |
| 11701-LDB5-E00 | 1 | E04 | | | | 14611-LBA2-E00 | 3 | E02 |
| 11702-LDB5-E00 | 2 | E04 | | | | | | |
| 11703-LDB5-E00 | 2 | E04 | | | | | | |

PART NO. INDEX

| PART NO. | VERSION | PAGE | PART NO. | VERSION | PAGE | PART NO. | VERSION | PAGE | |
|----------------|---------|------|----------------|----------------|------|----------------|----------------|------|-----|
| 14711-LDG7-900 | 1 | E02 | 16000 | | | 16132-KEC3-900 | 1 | E09 | |
| 14721-LBA2-E00 | 1 | E02 | | | | 16133-LDB5-E00 | 3 | E09 | |
| 14751-LBA2-E00 | 1 | E02 | | | | 16134-LDB5-E00 | 3 | E09 | |
| 14761-LDG7-900 | 1 | E02 | | 16012-LDB5-E00 | 6 | E09 | 16137-LDB5-E00 | 2 | E09 |
| 14771-KED9-900 | 2 | E02 | | 16019-LDB5-E00 | 3 | E09 | 16140-KEC3-900 | 1 | E09 |
| 14777-LBA2-E00 | 2 | E02 | | 16035-LFE9-900 | 1 | E09 | 16142-KGC5-900 | 1 | E09 |
| 14781-MFA6-001 | 0 | E02 | | 16051-KGC5-90A | 4 | E09 | 16165-KGC5-900 | 1 | E09 |
| 15000 | | | | 16053-KEC3-900 | 0 | E09 | 16179-LDB5-E00 | 1 | E09 |
| | | | | 16057-LDB5-E00 | 6 | E09 | 16180-KGC5-900 | 2 | E09 |
| | | | | 16059-LDB5-E00 | 3 | E09 | 16181-LDB5-E00 | 2 | E09 |
| | | | 16069-LDB5-E00 | 3 | E09 | 16911-LDB5-600 | 1 | F10 | |
| 15100-LDB5-E00 | 3 | E06 | 16070-LDB5-E00 | 2 | E09 | 16950-LDB5-600 | 3 | F10 | |
| 15133-LBA2-E00 | 1 | E06 | 16079-LDB5-E00 | 1 | E09 | 16951-LDB5-E00 | 2 | F10 | |
| 15138-LDB5-E00 | 4 | E06 | 16087-LFE9-E00 | 0 | E09 | 16952-LDB5-600 | 0 | F10 | |
| 15141-LDB5-E00 | 1 | E06 | 16088-KEC3-900 | 1 | E09 | 16952-LLB1-900 | 1 | F10 | |
| 15200-KED9-900 | 7 | E01 | 16092-LDB5-E00 | 3 | E09 | 17000 | | | |
| 1541A-LBA2-E00 | 2 | E01 | 16093-KEC3-900 | 1 | E09 | | | | |
| 15421-1G07-001 | 1 | E01 | 16095-KEC3-900 | 2 | E09 | | | | |
| 15421-LBA2-E00 | 2 | E01 | 16100-LFE9-E00 | 2 | E09 | | 17104-LFE9-E00 | 1 | E02 |
| 15426-GAE1-921 | 0 | E01 | 16105-LDB5-E00 | 2 | E09 | | 17113-LBA2-E00 | 1 | E02 |
| 15520-LDB5-E00 | 1 | E01 | 16110-KGC5-900 | 1 | E09 | | 1711A-LFE9-E00 | 1 | E02 |
| 1565A-PWA1-900 | 1 | E04 | 16111-KHE7-900 | 1 | E09 | | 17200-LFE9-E00 | 1 | F13 |
| 15661-LBA7-900 | 1 | E01 | 16113-LDB5-E00 | 4 | E09 | | 17214-LDB5-E00 | 2 | F13 |
| 15711-LDB5-E00 | 1 | E06 | 16114-KEC3-900 | 0 | E09 | | 1721A-LDB5-E00 | 2 | F13 |
| | | | 16120-KEC3-900 | 0 | E09 | | 17231-LDB5-E00 | 0 | F13 |
| | | | 16131-LDB5-E00 | 5 | E09 | 1723A-LFE9-E00 | 0 | F13 | |

PART NO. INDEX

| PART NO. | VERSION | PAGE | PART NO. | VERSION | PAGE | PART NO. | VERSION | PAGE |
|----------------|---------|------|----------------|---------|------|----------------|---------|------|
| 17246-LBA7-900 | 2 | F13 | 18328-LDB5-E00 | 2 | F14 | 19020-LBA2-E00 | 0 | F23 |
| 17257-LDB5-E00 | 3 | F13 | 18371-LBA2-E00 | 2 | F14 | 19030-LDB5-E00 | 2 | F23 |
| 17265-LBA7-900 | 1 | F13 | 18391-LBA2-E00 | 1 | F14 | 19101-LFE9-E00 | 0 | F23 |
| 17369-KDB4-671 | 1 | F24 | 18532-6D34-671 | 0 | F13 | 19102-LDB5-E00 | 1 | F23 |
| 17369-KHC4-900 | 0 | F13 | 18601-KBE2-900 | 4 | E02 | 19104-LDB5-E00 | 1 | F23 |
| 17500-LDB5-E00 | 8 | F10 | 18612-KFB5-900 | 1 | E02 | 19105-LDB5-E00 | 2 | F23 |
| 17522-LLB1-900 | 1 | F10 | 18613-LDB5-E00 | 2 | E02 | 19111-GBE2-004 | 1 | F23 |
| 17524-LLB1-900 | 1 | F10 | 18618-LLF5-90A | 2 | F24 | 19200-LEE8-E00 | 2 | E04 |
| 17550-LDB5-E00 | 1 | F10 | 18618-LLF5-90B | 1 | F24 | 19210-KKC4-900 | 0 | F23 |
| 17560-LDB5-600 | 1 | F12 | 18645-LBA2-E00 | 1 | E02 | 19300-LBA2-E00 | 1 | E04 |
| 1760A-LDB5-600 | 2 | F10 | 18646-GFY6-941 | 0 | E02 | 19310-LDB5-E00 | 1 | E04 |
| 1763A-LDB5-E00 | 1 | F10 | 18647-LBA2-E00 | 4 | E02 | 19315-LBA2-E00 | 2 | E04 |
| 17700-LDB5-E00 | 2 | F05 | 18659-LDB5-E00 | 0 | F13 | 19316-LFE9-E00 | 0 | E04 |
| 17705-LDB5-E00 | 2 | F05 | 1880A-LBA2-E0A | 2 | F24 | 19317-LBA2-E00 | 1 | E04 |
| 17720-LBA7-900 | 1 | F05 | 1880A-LBA2-E0B | 2 | F24 | 19318-LDB5-E00 | 2 | E04 |
| 17910-LDB5-E00 | 3 | F03 | 18812-LDB5-E00 | 1 | F24 | 19502-LEE8-E00 | 1 | E04 |
| 17957-LDB5-600 | 0 | F10 | 18813-LDB5-E00 | 1 | F24 | 19504-LBA2-E00 | 3 | E04 |
| | | | 18814-LDB5-E00 | 1 | F24 | 19504-LDB5-E00 | 3 | E04 |
| 18000 | | | 19000 | | | 19505-LBA2-E00 | 4 | E04 |
| 18291-LBA2-E00 | 3 | F14 | | | | 19505-LBA2-E00 | 4 | F23 |
| 1830A-LFE9-E00 | 6 | F14 | 19005-LDB5-E00 | 2 | F23 | 19505-LDB5-E00 | 4 | F23 |
| 18317-LFE9-E00 | 1 | F14 | 19005-LDB5-E0A | 0 | F23 | 19506-LDB5-E00 | 1 | F23 |
| 18318-LFE9-E00 | 2 | F14 | 19010-LDB5-E00 | 2 | F23 | 19507-LBA2-E00 | 0 | E04 |
| 18320-LDB5-E00 | 1 | F14 | 19012-KHD8-900 | 4 | F23 | 19507-LDB5-E00 | 1 | E04 |
| 18325-LDB5-E00 | 3 | F14 | 19015-LBA2-E00 | 0 | F23 | 19523-LDB5-E00 | 2 | E04 |

PART NO. INDEX

| PART NO. | VERSION | PAGE | PART NO. | VERSION | PAGE | PART NO. | VERSION | PAGE | |
|----------------|----------------|------|----------------|----------------|------|----------------|----------------|------|-----|
| 22000 | | | 23233-LFE9-E00 | 1 | E05 | 24241-LDB5-E00 | 1 | E07 | |
| | | | 23237-LDB5-E00 | 1 | E05 | 24242-LDB5-E00 | 4 | E07 | |
| | | | 23238-LDB5-E00 | 1 | E05 | 24251-LDB5-E00 | 4 | E07 | |
| | 22102-LDB5-E00 | 3 | E05 | 2341A-LDB5-900 | 2 | E07 | 24305-LDB5-E00 | 2 | E07 |
| | 22105-LDB5-E00 | 3 | E05 | 23421-LDB5-E00 | 4 | E07 | 2431A-LDB5-E00 | 4 | E07 |
| | 22110-LDB5-E00 | 5 | E05 | 23431-LDB5-E00 | 4 | E08 | 24610-LDB5-E00 | 4 | E07 |
| | 22121-LFE9-E00 | 1 | E05 | 23455-LDB5-E00 | 2 | E07 | 24651-LDB5-E00 | 4 | E07 |
| | 22127-LDB5-E00 | 0 | E05 | 2345A-LDB5-E00 | 4 | E08 | 24700-LDB5-E00 | 1 | F15 |
| | 22128-LDB5-E00 | 0 | E05 | 23471-LDB5-E00 | 3 | E07 | 24701-LDB5-E00 | 2 | E07 |
| | 22131-LDB5-E00 | 3 | E05 | 23473-LDB5-E00 | 2 | E07 | 24702-LDB5-E00 | 4 | F15 |
| | 22132-LDB5-E00 | 2 | E05 | 23481-LDB5-E00 | 3 | E07 | 24703-LDB5-E00 | 5 | F15 |
| | 22402-LDB5-E00 | 0 | E05 | 23510-LDB5-900 | 2 | E07 | 24704-LBA7-900 | 4 | F15 |
| | 2261A-LDB5-900 | 2 | E05 | 23513-LDB5-E00 | 2 | E07 | 24705-LDB5-E00 | 3 | F15 |
| | 22631-LDB5-E00 | 0 | E05 | 23518-LDB5-E00 | 2 | E08 | 24706-LDB5-E00 | 1 | F15 |
| 22641-LDB5-E00 | 2 | E05 | 23519-LDB5-E00 | 2 | E08 | 24707-LDB5-E00 | 6 | F15 | |
| 2266A-LDB5-910 | 1 | E05 | 23610-LDB5-E00 | 1 | E07 | 24710-LDB5-E00 | 2 | F15 | |
| 23000 | | | 23611-LDB5-E00 | 8 | E07 | 24711-LDB5-E00 | 3 | F15 | |
| | | | 23612-LDB5-E00 | 3 | E07 | 24721-LDB5-E00 | 1 | F15 | |
| | | | 23613-LDB5-E00 | 7 | E07 | 24781-LCA5-E00 | 2 | F15 | |
| | 23010-LFE9-E00 | 1 | E05 | 23614-LDB5-E00 | 6 | E07 | | | |
| | 23100-LDB5-E00 | 2 | E05 | 2362A-LDB5-E00 | 1 | E01 | 28000 | | |
| | 23200-LDB5-E00 | 3 | E05 | | | | | | |
| | 23201-LDB5-E00 | 0 | E05 | 24000 | | | 28100-LDB5-E00 | 2 | E06 |
| | 23210-LDB5-E00 | 4 | E08 | | | | 28103-LDB5-E00 | 2 | E06 |
| | 23220-LDB5-E00 | 2 | E05 | 24211-LDB5-E00 | 4 | E07 | 28110-LDB5-E00 | 1 | E06 |
| | 23225-LDB5-E00 | 0 | E05 | 24221-LDB5-E00 | 2 | E07 | 28120-KKE5-E00 | 1 | E06 |

PART NO. INDEX

| PART NO. | VERSION | PAGE | PART NO. | VERSION | PAGE | PART NO. | VERSION | PAGE |
|----------------|---------|------|----------------|---------|------|-------------------|---------|------|
| 28210-LDB5-E00 | 4 | E04 | | | | 33710-LCA5-E00 | 0 | F20 |
| 28310-LDB5-E00 | 1 | E04 | 32000 | | | 33715-LCA5-E00 | 0 | F20 |
| 30000 | | | 32100-LFE9-900 | 3 | F21 | 33720-LCA5-E00 | 1 | F20 |
| | | | 32100-LFE9-E00 | 3 | F21 | 33725-KHB4-E00 | 0 | F20 |
| 30400-LFE9-E00 | 1 | F21 | 32101-LLB1-800 | 1 | F21 | 33726-LCA5-E00 | 0 | F20 |
| 3051A-LDB5-E00 | 3 | F21 | 32161-4D04-001 | 2 | F03 | 33740-LCA5-E00 | 1 | F20 |
| 30700-LDB5-E00 | 2 | F21 | 32410-LDB5-E00 | 1 | E06 | 33745-LCA5-E00 | 1 | F20 |
| 31000 | | | 32411-LDB5-E00 | 2 | F21 | 33750-LCA5-E00 | 4 | F20 |
| | | | 32412-LDB5-E00 | 5 | E04 | 33751-LCA5-E00 | 0 | F20 |
| | | | 33000 | | | 34000 | | |
| 31110-LDB5-E01 | 2 | E06 | | | | 34901-KFA6-900 | 0 | F01 |
| 31110-LDB5-E0D | 1 | E06 | | | | 34903-KPCP-900 | 0 | F01 |
| 31120-LDB5-E01 | 5 | E06 | 33100-LDB5-E00 | 2 | F01 | 34903-KPCP-900 | 0 | F20 |
| 31120-LDB5-E0D | 5 | E06 | 33110-LDB5-E00 | 0 | F01 | 34905-LBA7-E00 | 0 | F19 |
| 31210-LBA2-E00 | 4 | E06 | 33120-LDB5-E00 | 0 | F01 | 34905-LCA5-E00 | 0 | F20 |
| 31350-LDB5-E0A | 1 | E01 | 33130-LDB5-E00 | 0 | F01 | 34906-KPCP-900 | 0 | F20 |
| 31500-LDB5-E0A | 2 | F11 | 33150-LDB5-E00 | 2 | F01 | 35000 | | |
| 31500-LDB5-E0B | 2 | F11 | 33400-LCA5-E00 | 2 | F19 | | | |
| 31600-LDB5-E00 | 5 | F21 | 33401-LCA5-E00 | 0 | F19 | | | |
| 31601-LDB5-E00 | 4 | F21 | 33450-LCA5-E00 | 2 | F19 | | | |
| 31700-KEC8-E00 | 1 | F21 | 33451-LCA5-E00 | 0 | F19 | 35010-LCA5-90A | 0 | F21 |
| 3195A-LBA7-E00 | 1 | F21 | 33700-LCA5-E00 | 4 | F20 | 35010-LCA5-90B | 0 | F21 |
| | | | 33701-LCA5-E00 | 0 | F20 | 35010-LCA5-E0A | 0 | F21 |
| | | | 33706-GCN3-67A | 0 | F20 | 35010-LCA5-E0B | 0 | F21 |
| | | | 33709-KBAB-003 | 0 | F20 | 35100-LCA5-305-M1 | 0 | F21 |

PART NO. INDEX

| PART NO. | VERSION | PAGE | PART NO. | VERSION | PAGE | PART NO. | VERSION | PAGE |
|-------------------|---------|------|--------------------|---------|------|------------------|---------|------|
| 35100-LCA5-305-M2 | 0 | F21 | | | | | | |
| 35111-LCA5-325-M1 | 0 | F29 | 38000 | | | 40000 | | |
| 35111-LCA5-325-M2 | 0 | F29 | | | | | | |
| 35111-LCA5-326-M1 | 0 | F29 | 38110-LDB5-E00 | 1 | F21 | 40210-LFE9-E00 | 2 | E08 |
| 35111-LCA5-326-M2 | 0 | F29 | 38200-KEBE-900 | 0 | F21 | 40215-LFE9-E00 | 0 | E08 |
| 35111-LLB1-327-M2 | 0 | F29 | 38300-LBC6-90A | 2 | F21 | 4040A-LDB5-E00 | 6 | E08 |
| 35111-LLB1-328-M2 | 0 | F29 | 38300-LBC6-90B-425 | 2 | F21 | 40410-LFE9-E00 | 1 | E08 |
| 3515A-LFE9-E00 | 0 | F03 | 38500-KHD8-900 | 0 | F21 | 40415-LDB5-E00 | 1 | E08 |
| 3520A-LDB5-E00 | 1 | F03 | 38500-KHD8-90A | 0 | F21 | 40420-LFE9-E00 | 0 | E08 |
| 35340-LDB5-900 | 0 | F04 | 38773-PKB9-001 | 0 | F23 | 40441-LFE9-E00 | 3 | F18 |
| 35350-KNBN-901 | 0 | F04 | 3890A-LFE9-E02 | 1 | F30 | | | |
| 35350-PWA2-900 | 1 | F15 | 38910-LFE9-E02 | 0 | F30 | 41000 | | |
| 35357-LDB5-E00 | 3 | F15 | 38911-LFE9-E02 | 0 | F30 | | | |
| 35759-LDB5-E00 | 3 | E01 | 38912-LFE9-E02 | 0 | F30 | 41300-LFE9-E00 | 2 | F16 |
| 35850-LDB5-E00 | 1 | F21 | 38913-LFE9-E02 | 0 | F30 | 41310-LFE9-E00 | 0 | F16 |
| 37000 | | | 38914-LFE9-E02 | 0 | F30 | 41320-LFE9-E00 | 0 | F16 |
| | | | 38915-LFE9-E02 | 0 | F30 | 41405-LEE8-E00 | 2 | F16 |
| | | | 38916-LFE9-E02 | 0 | F30 | 41421-LEE8-E00 | 3 | F16 |
| | | | 38917-LFE9-E02 | 0 | F30 | 41431-LEE8-E00 | 3 | F16 |
| 37200-LFE9-E0A | 1 | F02 | | | | 41436-LCD9-E00 | 2 | F16 |
| 37200-LFE9-E0B | 1 | F02 | 39000 | | | 41437-LCD9-E00 | 2 | F16 |
| 37720-KGB5-900 | 0 | E02 | | | | 41447-LDB5-E00-A | 2 | F16 |
| 37750-PAC1-005 | 0 | E02 | | | | 41447-LDB5-E00-B | 2 | F16 |
| 37760-KHD8-900 | 0 | F23 | 39100-LBA7-E00 | 1 | F21 | 41447-LDB5-E00-C | 2 | F16 |
| 37801-LAB4-910 | 1 | F10 | 39300-LFE9-E00 | 0 | F27 | 41547-LEE8-E00 | 2 | F16 |
| 3780A-LDB5-E00 | 2 | F10 | | | | 41548-LEE8-E00-A | 2 | F16 |

PART NO. INDEX

| PART NO. | VERSION | PAGE | PART NO. | VERSION | PAGE | PART NO. | VERSION | PAGE | |
|------------------|----------------|------|----------------|----------------|------|----------------|----------------|------|-----|
| 41548-LEE8-E00-B | 2 | F16 | 42424-PWB1-900 | 2 | F27 | 42710-LDB5-90B | 1 | F08 | |
| 41548-LEE8-E00-C | 2 | F16 | 42425-LEE8-900 | 2 | F27 | 42750-LDB1-700 | 1 | F09 | |
| 42000 | | | 42428-LFE9-E00 | 0 | F27 | 42753-KNBN-90B | 1 | F07 | |
| | | | 42430-PWB1-900 | 1 | F27 | 42753-KNBN-90B | 1 | F08 | |
| | | | 42432-LFE9-E00 | 0 | F27 | 43000 | | | |
| | 42200-LFE9-E00 | 4 | F08 | 42442-LEE8-900 | 3 | | F27 | | |
| | 42200-LFE9-E00 | 4 | F28 | 42446-PWB1-900 | 1 | | F27 | | |
| 42250-LFE9-E00 | 4 | F08 | 42448-PWB1-900 | 1 | F27 | | 43100-LFE9-E00 | 3 | F08 |
| 42250-LFE9-E00 | 4 | F28 | 42449-PWB1-900 | 1 | F27 | | 43105-LEE8-305 | 0 | F08 |
| 42400-LFE9-900 | 1 | F27 | 42453-PWB1-900 | 2 | F27 | 43105-LFE9-305 | 0 | F08 | |
| 42401-PWB1-900 | 1 | F27 | 42456-PWB1-900 | 1 | F27 | 43107-LEE8-E00 | 0 | F08 | |
| 42402-PWB1-900 | 1 | F27 | 42463-PWB1-900 | 2 | F27 | 43110-LFE9-305 | 0 | F08 | |
| 42404-PWB1-900 | 1 | F27 | 42464-PWB1-900 | 2 | F27 | 43125-LFE9-E00 | 2 | F04 | |
| 42407-PWB1-900 | 1 | F27 | 42465-PWB1-900 | 2 | F27 | 43127-LFE9-E00 | 1 | F04 | |
| 42408-PWB1-900 | 1 | F27 | 42466-PWB1-900 | 2 | F27 | 43200-LFE9-E00 | 3 | F08 | |
| 42409-PWB1-900 | 1 | F27 | 42467-PWB1-900 | 2 | F27 | 43209-KKC4-900 | 0 | F08 | |
| 42412-PWB1-900 | 1 | F27 | 42472-LFE9-E00 | 0 | F27 | 43210-LFE9-305 | 0 | F08 | |
| 42413-PWB1-900 | 1 | F27 | 42491-LEE8-900 | 1 | F27 | 43350-LFE9-E00 | 1 | F18 | |
| 42414-PWB1-900 | 1 | F27 | 42494-LEE8-900 | 0 | F27 | 43351-LEE8-E00 | 4 | F18 | |
| 42415-PWB1-900 | 1 | F27 | 42495-LEE8-900 | 0 | F27 | 43352-KKD6-E90 | 1 | F07 | |
| 42416-PWB1-900 | 1 | F27 | 42496-LEE8-900 | 0 | F27 | 43352-KKD6-E90 | 1 | F08 | |
| 42418-PWB1-900 | 1 | F27 | 42497-LEE8-900 | 0 | F27 | 43353-4A61-77A | 0 | F07 | |
| 42419-PWB1-900 | 1 | F27 | 42498-LEE8-900 | 0 | F27 | 43353-4A61-77A | 0 | F08 | |
| 42421-PWB1-900 | 1 | F27 | 42705-LFE9-E00 | 2 | F08 | 43450-LFE9-E00 | 4 | F04 | |
| 42422-PWB1-900 | 1 | F27 | 4270A-LFA5-E00 | 2 | F08 | 43500-LFE9-E01 | 1 | F15 | |
| 42423-PWB1-900 | 1 | F27 | 42710-LDB5-90A | 1 | F08 | 43505-LDB5-E00 | 0 | F15 | |

PART NO. INDEX

| PART NO. | VERSION | PAGE | PART NO. | VERSION | PAGE | PART NO. | VERSION | PAGE |
|----------------|---------|------|----------------|---------|------|----------------|---------|------|
| 43514-4E45-77A | 0 | F15 | 44710-LDB5-90B | 1 | F07 | 45525-LBA7-900 | 0 | F04 |
| 43530-LFE9-305 | 0 | F04 | | | | 45526-LBA7-900 | 0 | F04 |
| 43600-LDB5-E00 | 2 | F04 | 45000 | | | 45527-LBA7-900 | 0 | F04 |
| 44000 | | | 45100-LFE9-E00 | 2 | F07 | 45530-LDB5-305 | 0 | F04 |
| | | | 45105-LFE9-305 | 0 | F07 | 45531-GAR1-951 | 0 | F07 |
| 44200-LFE9-E00 | 2 | F07 | 45108-LBA7-900 | 0 | F08 | 45531-GAR1-951 | 0 | F08 |
| 44200-LFE9-E00 | 2 | F28 | 45109-PWA1-900 | 0 | F08 | 45531-LBA7-900 | 0 | F08 |
| 44208-LFE9-305 | 0 | F28 | 45110-LFE9-E00 | 0 | F07 | 46000 | | |
| 44208-PWB1-305 | 0 | F28 | 45121-PWB1-900 | 2 | F07 | | | |
| 44209-LEE8-305 | 0 | F28 | 45124-LFE9-E00 | 2 | F04 | 46182-5L00-014 | 2 | F15 |
| 44209-PWB1-305 | 0 | F28 | 45127-LFE9-E00 | 2 | F04 | 46500-LFE9-E00 | 1 | F15 |
| 44209-PWB1-900 | 0 | F28 | 45128-LFE9-E00 | 2 | F04 | 46501-LFE9-E00 | 0 | F15 |
| 44210-PWB1-900 | 0 | F28 | 45130-LFE9-E00 | 2 | F04 | 46502-LDB5-E00 | 2 | F15 |
| 44211-PWB1-900 | 0 | F28 | 45132-LBA7-900 | 1 | F04 | 46503-KCW3-001 | 0 | F15 |
| 44213-PWB1-900 | 0 | F28 | 45133-LBA7-900 | 0 | F08 | 46503-LDB5-E00 | 2 | F15 |
| 44214-PWB1-900 | 0 | F28 | 45200-LFE9-E00 | 2 | F07 | 46514-LDB5-E00 | 2 | F15 |
| 44215-PWB1-900 | 0 | F28 | 45209-LFE9-E00 | 0 | F07 | 47000 | | |
| 44216-LEE8-E00 | 0 | F28 | 45209-PWA1-900 | 0 | F08 | | | |
| 44216-PWB1-900 | 0 | F28 | 45230-LBA7-900 | 0 | F08 | | | |
| 44219-PWB1-900 | 0 | F28 | 45352-LBA7-900 | 0 | F08 | 47215-KHD6-900 | 0 | F15 |
| 44250-LFE9-E00 | 2 | F07 | 45353-LBA7-900 | 0 | F08 | 47216-LFE9-900 | 0 | F15 |
| 44250-LFE9-E00 | 2 | F28 | 45513-KKC4-900 | 0 | F04 | 47400-PWB1-900 | 3 | F06 |
| 44705-LFE9-E00 | 1 | F07 | 45517-KFAF-910 | 0 | F04 | 47410-LDB5-E00 | 2 | F07 |
| 4470A-LFA5-E00 | 2 | F07 | 45517-LDE9-E00 | 0 | F04 | 47410-LDB5-E00 | 2 | F08 |
| 44710-LDB5-90A | 1 | F07 | 45520-KKC4-900 | 0 | F04 | 47452-PWB1-900 | 2 | F17 |

PART NO. INDEX

| PART NO. | VERSION | PAGE | PART NO. | VERSION | PAGE | PART NO. | VERSION | PAGE |
|----------------|---------|------|----------------|---------|------|----------------|---------|------|
| 47453-PWB1-900 | 2 | F17 | 52103-PWB1-900 | 2 | F17 | 53252-LBA7-900 | 4 | F06 |
| 47500-PWB1-900 | 3 | F06 | 52104-PWB1-900 | 2 | F06 | 53254-LBA7-900 | 3 | F06 |
| 47550-PWB1-900 | 4 | F17 | 52104-PWB1-900 | 2 | F17 | 53261-PWB1-900 | 3 | F06 |
| 50000 | | | 52108-PWB1-900 | 3 | F06 | 53261-PWB1-900 | 3 | F22 |
| | | | 52108-PWB1-900 | 3 | F17 | 53400-LFE9-E00 | 1 | F06 |
| | | | 52144-PWB1-900 | 2 | F06 | 53410-PWB1-900 | 2 | F06 |
| 50100-LFE9-900 | 1 | F22 | 52144-PWB1-900 | 2 | F17 | 53450-LFE9-E00 | 1 | F06 |
| 50100-LFE9-E00 | 5 | F22 | 52400-LFE9-E00 | 3 | F17 | 53500-LFE9-E00 | 1 | F06 |
| 50166-LDB5-E00 | 1 | F22 | | | | 53550-LFE9-E00 | 1 | F06 |
| 50218-LDB5-900 | 0 | F22 | 53000 | | | 53600-KKAK-E0A | 0 | F21 |
| 50218-LDB5-E00 | 7 | F22 | | | | 53600-KKAK-E0B | 1 | F21 |
| 50351-LDB5-E00 | 5 | F22 | 53100-LFE9-E00 | 2 | F03 | 53700-LFE9-E00 | 0 | F06 |
| 50352-LDB5-E00 | 5 | F22 | 53102-LFE9-E00 | 1 | F03 | 53701-LFE9-E00 | 0 | F06 |
| 50612-LDB5-E00 | 4 | F12 | 53131-4K39-001 | 0 | F03 | 53702-LBA7-900 | 1 | F15 |
| 50614-LDB5-E00 | 9 | F22 | 53166-LDB5-E00 | 0 | F03 | 53702-LFE9-E00 | 0 | F06 |
| 50615-LDB5-E00 | 9 | F22 | 53175-LDB5-900 | 0 | F04 | 53703-LBA7-900 | 1 | F15 |
| 50713-LDB5-E00 | 1 | F15 | 53178-KEBE-900 | 0 | F04 | 53703-LFE9-E00 | 0 | F06 |
| 51000 | | | 53190-LDE9-E00 | 0 | F04 | 53705-PWB1-900 | 1 | F06 |
| | | | 53192-LDE9-E00 | 0 | F04 | | | |
| | | | 53193-LDE9-E00 | 0 | F04 | 54000 | | |
| 51400-LFE9-E00 | 2 | F06 | 53194-LDE9-E00 | 0 | F04 | | | |
| 52000 | | | 53200-LFE9-E00 | 4 | F06 | 54400-LFE9-E00 | 0 | F17 |
| | | | 53205-LDB5-E00 | 3 | F03 | 54450-LFE9-E00 | 2 | F17 |
| | | | 53250-PWB1-900 | 1 | F06 | 54500-LFE9-E00 | 0 | F17 |
| 52101-LFE9-E00 | 0 | F18 | 53250-PWB1-900 | 1 | F22 | 54550-LFE9-E00 | 2 | F17 |
| 52103-PWB1-900 | 2 | F06 | 53251-LCA5-E00 | 1 | F06 | 54600-LFE9-E00 | 1 | F17 |

PART NO. INDEX

| PART NO. | VERSION | PAGE | PART NO. | VERSION | PAGE | PART NO. | VERSION | PAGE |
|----------------|---------|------|----------------|---------|------|----------------|---------|------|
| 54601-LFE9-E00 | 0 | F17 | | | | | | |
| 54602-LFE9-E00 | 0 | F17 | 64000 | | | 80000 | | |
| 54610-LFE9-E00 | 0 | F17 | | | | | | |
| 54620-LFE9-E00 | 0 | F17 | 64300-LFE9-E00 | 3 | F05 | 80100-LDB5-E00 | 5 | F12 |
| | | | 64302-LDB5-E00 | 3 | F05 | 80110-LBA7-900 | 1 | F12 |
| 60000 | | | 6430A-LDB5-E00 | 1 | F05 | 80110-LDB5-900 | 1 | F05 |
| | | | 64317-LDB5-E00 | 5 | F23 | 80110-LDB5-900 | 1 | F12 |
| 60100-LDB5-E00 | 5 | F05 | 64318-LDB5-E00 | 1 | F23 | 80115-LDB5-900 | 1 | F05 |
| 60103-LFE9-E00 | 2 | F05 | 64330-LFE9-E00 | 0 | F05 | 80115-LDB5-900 | 1 | F12 |
| 60108-LDB5-E00 | 2 | F05 | 64340-LFE9-E00 | 0 | F05 | 80121-LDB5-E00 | 5 | F12 |
| 6010B-LDB5-E00 | 2 | F05 | | | | 80122-LDB5-E00 | 5 | F12 |
| 6010C-LDB5-E00 | 3 | F05 | 70000 | | | 8013A-LFE9-E00 | 1 | F12 |
| 60120-LDB5-E00 | 3 | F05 | | | | 80200-LDB5-E00 | 2 | F12 |
| 60130-LFE9-E00 | 0 | F05 | 70529-6G57-671 | 0 | F12 | | | |
| 60140-LFE9-E00 | 0 | F05 | | | | 81000 | | |
| 60200-LDB5-E00 | 2 | F05 | 77000 | | | | | |
| | | | | | | 81200-LDB5-E00 | 2 | F12 |
| 61000 | | | 77200-LFE9-E00 | 0 | F09 | 81202-LDB5-E00 | 1 | F22 |
| | | | 77206-KEB7-900 | 0 | F09 | 81300-LDB5-E00 | 2 | F12 |
| 61104-3G57-001 | 0 | F10 | 77206-LBA7-900 | 1 | F09 | | | |
| 61200-LDB5-E00 | 2 | F05 | 77301-LDB5-E00 | 3 | F09 | 83000 | | |
| 61200-LDB5-E00 | 3 | F05 | 77303-LDB5-E00 | 1 | F09 | | | |
| 61300-LDB5-E00 | 2 | F05 | 77305-LDB5-E00 | 1 | F09 | 83500-LDB5-E00 | 2 | F12 |
| 61300-LDB5-E00 | 3 | F05 | 77330-LDB5-E00 | 4 | F22 | 83551-LDB5-E00 | 1 | F05 |
| 61344-LDB5-E00 | 1 | F23 | 7734A-LDB5-E61 | 1 | F12 | 83600-LDB5-E00 | 2 | F12 |
| 61345-LFE9-E00 | 2 | F23 | 77430-LDB5-E60 | 1 | F22 | 83605-LDB5-E00 | 1 | F12 |

PART NO. INDEX

| PART NO. | VERSION | PAGE | PART NO. | VERSION | PAGE | PART NO. | VERSION | PAGE |
|----------------|---------|------|----------------|---------|------|-------------------|---------|------|
| 83606-LDB5-E00 | 1 | F12 | | | | | | |
| 83620-LDB5-E00 | 1 | F22 | 87000 | | | 90000 | | |
| 83620-LFE9-E00 | 1 | F22 | | | | | | |
| 83630-LDB5-E00 | 1 | F22 | 87322-LBA7-E61 | 1 | F25 | 90001-GBHB-661 | 0 | E03 |
| 84000 | | | 87503-LDB5-900 | 2 | F26 | 90001-GBHB-661 | 0 | E06 |
| | | | 87505-LFE9-E63 | 1 | F25 | 90001-GFY6-901 | 1 | E01 |
| | | | 87514-LFE9-E63 | 2 | F25 | 90001-LBA2-E00 | 2 | E02 |
| 84703-LLB1-900 | 1 | F03 | 87515-LDB5-E61 | 1 | F25 | 90002-LBA2-E00 | 2 | E02 |
| 84703-LLB1-900 | 1 | F22 | 87517-LDB5-E60 | 2 | F25 | 90004-LBA2-E00 | 3 | E01 |
| 84703-LLB1-900 | 1 | F23 | 87529-LFE9-E60 | 1 | F25 | 90005-KEC8-900 | 1 | E03 |
| 85000 | | | 87532-LBE8-900 | 2 | F26 | 9000A-KTDT-900 | 1 | E01 |
| | | | 87532-LCA5-900 | 1 | F26 | 90011-KED9-900 | 1 | E02 |
| | | | 87556-LDB5-E62 | 1 | F25 | 90012-3C33-001 | 0 | E02 |
| 85100-LDB5-E00 | 4 | F22 | 87556-LDB5-E63 | 1 | F25 | 90017-KED9-900 | 3 | E02 |
| 85100-LFE9-E00 | 1 | F22 | | | | 90031-LBA2-E00 | 3 | E02 |
| 85101-LCA5-E00 | 2 | F22 | 88000 | | | 90032-LBA2-E00 | 3 | E02 |
| 86000 | | | | | | 90033-GFY6-900 | 0 | E02 |
| | | | 88110-LBA7-E00 | 1 | F03 | 90033-GFY6-941 | 0 | E02 |
| | | | 88120-LBA7-E00 | 1 | F03 | 90071-MLB0-001 | 0 | E06 |
| 86102-LDB5-900 | 1 | F26 | | | | 90083-KED9-900 | 2 | E02 |
| 86102-LDB5-900 | 3 | F26 | 89000 | | | 90084-4H28-001 | 0 | E02 |
| 86223-LFE9-E61 | 0 | F26 | | | | 90084-4H28-001 | 0 | E04 |
| 86233-LFE9-E61 | 1 | F26 | 89010-LFE9-E00 | 1 | F09 | 9008A-LDB5-E00 | 1 | E04 |
| 86302-LDB5-E00 | 1 | F26 | 89020-KKC4-900 | 1 | F09 | 90101-LCA5-E00-06 | 2 | F15 |
| 86303-LDB5-E00 | 2 | F26 | | | | 90105-PWB1-900 | 4 | F07 |
| | | | | | | 90105-PWB1-900 | 4 | F08 |

PART NO. INDEX

| PART NO. | VERSION | PAGE | PART NO. | VERSION | PAGE | PART NO. | VERSION | PAGE |
|-------------------|---------|------|-------------------|---------|------|----------------|---------|------|
| 90110-PWB1-900 | 1 | F12 | 90302-PWA1-900 | 2 | F05 | 90407-LDB5-E00 | 0 | E01 |
| 90112-LBD4-800 | 1 | F18 | 90302-PWA1-900 | 2 | F12 | 90408-LDB5-900 | 3 | E05 |
| 90114-1F66-007 | 2 | F04 | 90304-GHE8-004 | 0 | F06 | 90421-KAM1-004 | 0 | F18 |
| 90114-1F66-007 | 2 | F15 | 90304-GHE8-004 | 0 | F17 | 90433-KAE1-001 | 0 | E07 |
| 90122-KEBE-900 | 2 | F08 | 90304-GHE8-004 | 0 | F22 | 90441-LDB5-E00 | 3 | E01 |
| 90131-KEBE-900 | 2 | F08 | 90304-PWB1-900 | 2 | F06 | 90443-LDB5-E00 | 2 | E01 |
| 90131-LDB5-E00 | 1 | F07 | 90305-GHK8-001 | 1 | F05 | 90451-LDB5-E00 | 1 | E07 |
| 90133-LDB5-E00 | 1 | E01 | 90306-KLF0-004-SY | 1 | E01 | 90452-KED9-900 | 2 | E07 |
| 90145-LBA2-E00 | 2 | F04 | 90309-LBE8-900 | 1 | F22 | 90454-1G07-001 | 0 | E07 |
| 90145-MKS9-61A-06 | 1 | F04 | 90311-LDB5-E00 | 1 | E08 | 90465-LBA2-E00 | 1 | E02 |
| 90164-0H28-900 | 2 | F21 | 90312-LDB5-E00 | 1 | E08 | 90465-MDC4-001 | 0 | E01 |
| 90201-KHR8-75A | 0 | E04 | 90313-LDB5-E00 | 1 | E08 | 90474-3C33-001 | 1 | E01 |
| 90202-LDB5-E00 | 1 | E05 | 90314-LDB5-E00 | 1 | E08 | 90474-3C33-001 | 1 | F16 |
| 90203-LDB5-E00 | 4 | E05 | 90315-LDB5-E00 | 1 | E08 | 90478-7L00-001 | 0 | E03 |
| 90203-LDB5-E00 | 4 | E08 | 90316-LDB5-E00 | 1 | E08 | 90488-7L00-001 | 0 | E02 |
| 90205-LDB5-E00 | 2 | E05 | 90317-LDB5-E00 | 1 | E08 | 90501-3L10-001 | 0 | F15 |
| 90206-0A01-001 | 1 | E02 | 90318-LDB5-E00 | 1 | E08 | 90501-LDB5-E00 | 2 | E05 |
| 90242-LDB5-E00 | 2 | F16 | 90319-LDB5-E00 | 1 | E08 | 9052A-LDB5-E00 | 1 | E01 |
| 90243-LDB5-E00 | 1 | E01 | 90320-LDB5-E00 | 1 | E08 | 90545-3L00-001 | 2 | F04 |
| 90301-6C93-001 | 1 | F22 | 90321-LDB5-E00 | 1 | E08 | 90605-KED9-900 | 2 | E07 |
| 90301-PWB1-900 | 1 | F07 | 90322-LDB5-E00 | 1 | E08 | 90651-LCA5-E00 | 1 | F01 |
| 90301-PWB1-900 | 1 | F08 | 90401-KKJ9-001 | 0 | E04 | 90651-LCA5-E00 | 1 | F12 |
| 90302-GBR2-001 | 1 | F10 | 90403-KED9-900 | 2 | E02 | 90651-LFE9-E00 | 0 | F13 |
| 90302-GBR2-001 | 1 | F15 | 90405-LDB5-E00 | 6 | E05 | 90652-LBA2-E00 | 1 | E02 |
| 90302-GFY6-940 | 1 | F03 | 90406-LDB5-E00 | 1 | E05 | 90652-LCA4-E00 | 1 | F05 |
| 90302-LLB1-E00-06 | 2 | F15 | 90407-LBA2-E00 | 2 | E01 | 90652-LCA4-E00 | 1 | F12 |

PART NO. INDEX

| PART NO. | VERSION | PAGE | PART NO. | VERSION | PAGE | PART NO. | VERSION | PAGE |
|----------------|---------|------|----------------|---------|------|----------------|---------|------|
| 90652-LCA4-E00 | 1 | F23 | 91212-4B22-007 | 0 | F15 | | | |
| 90652-LDB5-900 | 2 | F12 | 91251-LEE8-E00 | 3 | F16 | 92000 | | |
| 90652-LDB5-E00 | 3 | F23 | 91255-LDB5-E00 | 1 | E01 | | | |
| 90652-LLJ3-E00 | 0 | F13 | 91256-LDB5-E00 | 1 | E01 | 92101-05012-0H | 0 | E06 |
| 90653-LDB5-E00 | 3 | F23 | 91257-LDB5-E00 | 2 | E04 | 92201-05025-0H | 0 | E04 |
| 90654-LDB5-E00 | 2 | F13 | 91258-LDB5-900 | 1 | E05 | | | |
| 90655-PWA2-900 | 1 | F05 | 91261-LDB5-E00 | 2 | E01 | 93000 | | |
| 90655-PWA2-900 | 1 | F12 | 91261-LEE8-E00 | 3 | F16 | | | |
| 90656-KCBC-900 | 0 | F03 | 91271-LEE8-E00 | 3 | F16 | 93404-06012-06 | 0 | F13 |
| 90677-GAR1-004 | 1 | F05 | 91301-LDB5-E00 | 1 | E04 | 93404-06012-06 | 0 | F15 |
| 90677-GAR1-004 | 1 | F12 | 91302-0A01-021 | 0 | E01 | 93404-06012-06 | 0 | F23 |
| 90701-9E65-001 | 0 | E01 | 91302-0A01-021 | 0 | F16 | 93404-06016-06 | 0 | F05 |
| 90701-LDB5-E00 | 4 | E03 | 91302-LDB5-E00 | 2 | E08 | 93404-06016-06 | 0 | F12 |
| 90750-LDB5-E00 | 3 | E01 | 91303-3G77-001 | 0 | E02 | 93404-06016-06 | 0 | F22 |
| 90914-LFE9-E00 | 0 | F23 | 91303-3G77-001 | 0 | E04 | 93404-06016-06 | 0 | F23 |
| | | | 91305-GLE0-001 | 0 | E01 | 93404-06020-06 | 1 | F05 |
| 91000 | | | 91306-1E05-691 | 0 | E03 | 93404-06020-06 | 1 | F12 |
| | | | 91307-0E35-001 | 0 | E04 | 93406-LLB1-900 | 0 | F03 |
| 91001-KHV8-004 | 0 | E01 | 91308-KED9-900 | 1 | E02 | 93500-04010-1A | 0 | E09 |
| 91005-LDB5-E00 | 1 | E01 | 91309-4E25-004 | 0 | E06 | 93500-05012-1A | 0 | E09 |
| 91021-LDB5-E00 | 2 | E07 | 91313-KED9-900 | 3 | E01 | 93500-05016-0H | 0 | F10 |
| 91106-LDB5-E00 | 1 | E05 | 91351-LDB5-E00 | 1 | E05 | 93600-04012-1G | 0 | F04 |
| 91107-LDB5-E00 | 0 | E08 | 91407-SGA7-004 | 0 | F10 | 93600-LDE9-E00 | 0 | F04 |
| 91108-LEE8-E00 | 1 | F16 | 91508-KGV7-67A | 0 | F20 | 93891-04012-07 | 0 | E09 |
| 91206-LDB5-E00 | 0 | E01 | 91509-LDB5-E00 | 5 | E01 | 93891-04030-08 | 0 | E09 |
| 91211-LDB5-E00 | 1 | E05 | | | | 93892-04008-18 | 0 | E09 |

PART NO. INDEX

| PART NO. | VERSION | PAGE | PART NO. | VERSION | PAGE | PART NO. | VERSION | PAGE |
|----------------|---------|------|----------------|---------|------|----------------|---------|------|
| 93892-04012-08 | 0 | E09 | 94050-06080 | 0 | F10 | 94301-08140 | 0 | E05 |
| 93893-04012-18 | 0 | F04 | 94050-06080 | 0 | F12 | 94301-08140 | 0 | E06 |
| 93893-04012-18 | 0 | F15 | 94050-06080 | 0 | F21 | 94301-10120 | 0 | F18 |
| 93903-34360 | 0 | F05 | 94050-06080 | 0 | F22 | 94301-10160 | 0 | E02 |
| 93903-34360 | 0 | F12 | 94050-08060 | 0 | F22 | 94301-12200 | 1 | E02 |
| 93903-35260 | 0 | F05 | 94050-08080 | 0 | F15 | 94301-12200 | 1 | E03 |
| 93903-35260 | 0 | F20 | 94050-08080 | 0 | F22 | 94510-10000 | 0 | E06 |
| 93903-35360 | 0 | F01 | 94050-LDE9-E00 | 1 | F12 | 94510-25000 | 0 | E07 |
| 93903-35360 | 0 | F02 | 94101-06200 | 0 | F14 | 94510-PWB1-900 | 0 | F06 |
| 93903-35360 | 0 | F05 | 94101-06700 | 0 | F14 | 94520-40000 | 0 | F22 |
| 93903-35360 | 0 | F12 | 94101-06800 | 0 | F12 | 94520-47000 | 0 | E04 |
| 93903-35360 | 0 | F19 | 94101-08600 | 0 | F22 | 94520-55000 | 0 | F17 |
| | | | 94101-10800 | 0 | F18 | 94520-65000 | 1 | E01 |
| 94000 | | | 94101-LBA2-E00 | 1 | F14 | 94540-07017 | 1 | E05 |
| | | | 94101-PWB1-900 | 1 | F06 | 94540-12028 | 0 | E07 |
| 94001-08080-0S | 0 | F14 | 94102-14800 | 0 | F15 | 94540-50029 | 0 | E09 |
| 94001-08080-0S | 0 | F15 | 94102-LDB5-E00 | 1 | F15 | 94591-27000 | 0 | F05 |
| 94001-LBA7-900 | 1 | F15 | 94111-06800 | 0 | F14 | 94591-27000 | 0 | F12 |
| 94001-PWB1-800 | 0 | F06 | 94111-08800 | 0 | F15 | 94591-KFBF-900 | 2 | E04 |
| 94001-PWB1-900 | 4 | F06 | 94201-20120 | 0 | F15 | 94601-22000 | 1 | E03 |
| 94011-PWB1-900 | 1 | F07 | 94201-25200 | 0 | F06 | | | |
| 94011-PWB1-900 | 1 | F08 | 94201-25300 | 0 | F15 | 95000 | | |
| 94050-05080 | 0 | F20 | 94201-30400 | 0 | F07 | | | |
| 94050-06060 | 0 | F04 | 94201-30400 | 0 | F08 | 95002-02070 | 0 | F23 |
| 94050-06060 | 0 | F15 | 94301-08140 | 0 | E01 | 95002-02070 | 0 | F24 |
| 94050-06080 | 0 | E02 | 94301-08140 | 0 | E04 | 95002-02090 | 0 | E08 |

PART NO. INDEX

| PART NO. | VERSION | PAGE | PART NO. | VERSION | PAGE | PART NO. | VERSION | PAGE |
|----------------|---------|------|----------------|---------|------|----------------|---------|------|
| 95002-02100 | 0 | F05 | 95701-06016-06 | 0 | F21 | 95801-10040-08 | 0 | F14 |
| 95002-02100 | 0 | F10 | 95701-06022-06 | 1 | F10 | 95801-10040-08 | 0 | F17 |
| 95002-02100 | 0 | F23 | 95701-06022-08 | 0 | E02 | 95801-10065-08 | 0 | F17 |
| 95002-02130 | 0 | F10 | 95701-06025-08 | 0 | E02 | 95801-10085-06 | 1 | F06 |
| 95002-02150 | 0 | F13 | 95701-06040-06 | 0 | F04 | 95801-10085-06 | 1 | F17 |
| 95002-40950-08 | 0 | E08 | 95701-06040-08 | 0 | E02 | 95801-10090-06 | 0 | F22 |
| 95002-41050-00 | 0 | F16 | 95701-08012-08 | 0 | E01 | 95801-10095-06 | 0 | F17 |
| 95002-45000 | 0 | F23 | 95701-08012-08 | 0 | F16 | 95801-10110-06 | 0 | F22 |
| 95002-70000 | 0 | F10 | 95701-08016-06 | 0 | F17 | 95801-10195-06 | 0 | F22 |
| 95002-70000 | 0 | F23 | 95701-08016-06 | 0 | F22 | 95801-KED9-900 | 2 | E02 |
| 95002-KHE7-900 | 0 | E04 | 95701-08020-06 | 1 | F06 | 95802-PWB1-900 | 2 | F06 |
| 95002-KHE7-900 | 0 | F23 | 95701-08020-06 | 1 | F15 | 95802-PWB1-900 | 2 | F17 |
| 95002-KKD6-E05 | 0 | F24 | 95701-08020-06 | 1 | F22 | | | |
| 95004-LBA7-900 | 0 | F13 | 95701-08025-06 | 0 | F18 | 96000 | | |
| 95005-PWB1-900 | 1 | F16 | 95701-08028-06 | 1 | F15 | | | |
| 95008-PWB1-900 | 5 | E08 | 95701-08030-08 | 0 | F16 | 96001-06012-00 | 0 | F14 |
| 95012-KKA7-900 | 1 | F11 | 95701-08035-06 | 1 | F18 | 96001-06012-08 | 0 | E01 |
| 95701-06008-08 | 0 | F14 | 95701-08040-08 | 0 | F27 | 96001-06012-08 | 0 | E06 |
| 95701-06012-00 | 0 | F14 | 95701-10020-06 | 0 | F06 | 96001-06014-08 | 0 | E02 |
| 95701-06012-06 | 1 | F04 | 95701-10020-06 | 0 | F18 | 96001-06016-08 | 0 | E01 |
| 95701-06012-06 | 1 | F10 | 95701-10035-08 | 0 | F16 | 96001-06016-08 | 0 | F21 |
| 95701-06012-06 | 1 | F21 | 95701-LDB5-E00 | 1 | F15 | 96001-06018-08 | 0 | E02 |
| 95701-06012-06 | 1 | F22 | 95801-08028-06 | 0 | F15 | 96001-06018-08 | 0 | E05 |
| 95701-06012-06 | 1 | F23 | 95801-08060-06 | 0 | F06 | 96001-06020-06 | 0 | F22 |
| 95701-06015-08 | 0 | F27 | 95801-10030-06 | 0 | F06 | 96001-06022-06 | 1 | F04 |
| 95701-06016-06 | 0 | F15 | 95801-10040-08 | 0 | F06 | 96001-06022-08 | 0 | E05 |

PART NO. INDEX

| PART NO. | VERSION | PAGE | PART NO. | VERSION | PAGE | PART NO. | VERSION | PAGE |
|----------------|---------|------|----------------|---------|------|----------|---------|------|
| 96001-06025-08 | 0 | E01 | 96100-64050-00 | 1 | E01 | | | |
| 96001-06025-08 | 0 | E04 | 96100-69060-00 | 1 | E04 | | | |
| 96001-06025-08 | 0 | E05 | 96104-LDB5-90A | 1 | E05 | | | |
| 96001-06030-08 | 0 | E01 | 96104-LDB5-90B | 1 | E05 | | | |
| 96001-06032-08 | 0 | E01 | 96105-LDB5-90A | 1 | E05 | | | |
| 96001-06032-08 | 0 | E04 | 96105-LDB5-90B | 1 | E05 | | | |
| 96001-06032-08 | 0 | E05 | 96106-LDB5-E00 | 1 | E01 | | | |
| 96001-06032-08 | 0 | E06 | 96107-LDB5-E00 | 1 | E01 | | | |
| 96001-06035-08 | 0 | E06 | 96151-PWB1-900 | 2 | F17 | | | |
| 96001-06040-08 | 0 | E01 | 96211-08000 | 0 | F15 | | | |
| 96001-06040-08 | 0 | E03 | 96211-16000 | 2 | E01 | | | |
| 96001-06040-08 | 0 | E04 | 96600-08010-10 | 1 | E01 | | | |
| 96001-06040-08 | 0 | E06 | 96600-08015-10 | 1 | E06 | | | |
| 96001-06050-08 | 0 | E01 | 96600-LDB5-E00 | 1 | E01 | | | |
| 96001-06080-08 | 0 | E01 | | | | | | |
| 96001-06085-08 | 0 | E01 | 98000 | | | | | |
| 96001-06090-08 | 0 | E01 | | | | | | |
| 96001-06110-08 | 0 | E01 | 98059-57916-00 | 2 | E02 | | | |
| 96100-60080-00 | 0 | F27 | 98200-31000 | 1 | F21 | | | |
| 96100-60090-00 | 2 | F16 | 98200-31500 | 0 | F21 | | | |
| 96100-62040-00 | 0 | E01 | 98200-33000 | 0 | F21 | | | |
| 96100-62100-00 | 0 | F16 | | | | | | |
| 96100-63030-00 | 0 | E01 | | | | | | |
| 96100-63040-00 | 1 | E01 | | | | | | |
| 96100-63050-00 | 0 | F27 | | | | | | |
| 96100-63060-00 | 0 | E01 | | | | | | |