

PARTS CATALOGUE



ATV

UAA0AD(FL)

UXV 500



Date : 2008/09/24

前言

- 本零件型錄適用於 UAA0AD(FL) 機種，訂購零件時，請參照本冊。
- 本冊之配色表僅供參考，若與實車不符之處，以實車為準。
- 配色記號(Color Mark)
註明 "***" 記號，表示訂購該零件時，請參照機種相片及配色表，並請在基本零件號碼最後加上色碼。
- 本冊若有錯誤或遺漏之處，敬請不吝賜教指正。

ABOUT THIS PARTS LIST

- This parts list is compiled all service parts for model UAA0AD(FL).
- Any difference between color chart and motorcycle will be revised according to motorcycle.
- The sales mark:
 - 1.marking "***" must add color code in the end before ordering parts.
- When modification or additions to this parts list are made a revised edition at an appropriate time.

目次

● 前言	1
● UAA0AD(FL) 配色表	3
● 引擎結構圖	11
● 車架結構圖	13
● 引擎號碼表	17
● 車架零件號碼表	73
● 零件號碼索引	163

CONTENTS

● ABOUT THIS PARTS LIST	1
● COLOR CHART OF UAA0AD(FL)	3
● CONTENTS-ENGINE GROUP	11
● CONTENTS-FRAME GROUP	13
● ENGINE PARTS LIST	17
● FRAME PARTS LIST	73
● PART NO. INDEX	163

NO	MODEL			UAA0AD(FL) COLOR CHART			
	PHOTO NO			NO. 1	NO. 2	NO. 3	NO. 4
	BASIC COLOR			深藍	紅	深綠	黑
	CODE			Deep Blue	Red	Deep Green	Black
	PARTS NAME	PARTS NO.	VERSION	PB246SA	RR338SA	GG345SA	NH001SA
1	RIM COMP RR WHEEL	42705-LEE8-E00	2	MAS			
2	RIM COMP FR WHEEL	44705-LEE8-E00	3				
3	ARM ASSY FR R SWING	53400-LEE8-E00	7				
4	ARM ASSY FR R SWING	53450-LEE8-E00	5				
5	ARM ASSY FR L SWING	53500-LEE8-E00	7				
6	ARM ASSY FR L SWING	53550-LEE8-E00	5				
7	ARM ASSY RR SWING	54400-LEE8-E00	4				
8	ARM ASSY RR R SWING	54450-LEE8-E00	6				
9	ARM ASSY RR L SWING	54500-LEE8-E00	2				
10	ARM ASSY RR L SWING	54550-LEE8-E00	6				
11	PIPE COMP FR BUMPER	85100-LEE8-E00	6				
12	CUSHION ASSY FR	51400-LEE8-E00	7				
13	CUSHION ASSY RR	52400-LEE8-E00	8				
14	"COVER, WIRE STAY"	16059-LDB5-E00	3	N1R			
15	GRILLE RADIATOR	19102-LEE8-E00	1				
16	COVER BATTERY	50326-LEE8-E00	2				
17	SIDE PANEL R FRONT	60320-LEE8-E00	2				
18	SIDE PANEL L FRONT	60330-LEE8-E00	2				
19	GUARD R BOOT	60350-LEE8-E00	3				
20	GUARD L BOOT	60360-LEE8-E00	3				
21	PANEL FRONT	60400-LEE8-E00	2				
22	LID GLOVE BOX	60410-LEE8-E00	4				
23	CAP FRONT PANEL	60420-LEE8-E00	6				
24	BOX LUGGAGE	60500-LEE8-E00	2				
25	BOX ASSY LUGGAGE	6050A-LEE8-E00	3				
DATE OF STARTING-SALES							
DATE OF END-SALES							

NO	MODEL			UAA0AD(FL) COLOR CHART			
	PHOTO NO			NO. 5	NO. 6		
	BASIC COLOR			萊姆綠	土黃		
	CODE			Lime Green	Yellow Ochre		
	PARTS NAME	PARTS NO.	VERSION	GG144SA	YR160SA		
1	RIM COMP RR WHEEL	42705-LEE8-E00	2	MAS			
2	RIM COMP FR WHEEL	44705-LEE8-E00	3				
3	ARM ASSY FR R SWING	53400-LEE8-E00	7				
4	ARM ASSY FR R SWING	53450-LEE8-E00	5				
5	ARM ASSY FR L SWING	53500-LEE8-E00	7				
6	ARM ASSY FR L SWING	53550-LEE8-E00	5				
7	ARM ASSY RR SWING	54400-LEE8-E00	4				
8	ARM ASSY RR R SWING	54450-LEE8-E00	6				
9	ARM ASSY RR L SWING	54500-LEE8-E00	2				
10	ARM ASSY RR L SWING	54550-LEE8-E00	6				
11	PIPE COMP FR BUMPER	85100-LEE8-E00	6				
12	CUSHION ASSY FR	51400-LEE8-E00	7	N1A			
13	CUSHION ASSY RR	52400-LEE8-E00	8				
14	"COVER, WIRE STAY"	16059-LDB5-E00	3	N1R			
15	GRILLE RADIATOR	19102-LEE8-E00	1				
16	COVER BATTERY	50326-LEE8-E00	2				
17	SIDE PANEL R FRONT	60320-LEE8-E00	2				
18	SIDE PANEL L FRONT	60330-LEE8-E00	2				
19	GUARD R BOOT	60350-LEE8-E00	3				
20	GUARD L BOOT	60360-LEE8-E00	3				
21	PANEL FRONT	60400-LEE8-E00	2				
22	LID GLOVE BOX	60410-LEE8-E00	4				
23	CAP FRONT PANEL	60420-LEE8-E00	6				
24	BOX LUGGAGE	60500-LEE8-E00	2				
25	BOX ASSY LUGGAGE	6050A-LEE8-E00	3				
DATE OF STARTING-SALES							
DATE OF END-SALES							

NO	MODEL			UAA0AD(FL) COLOR CHART						
	PHOTO NO			NO. 1	NO. 2	NO. 3	NO. 4			
	BASIC COLOR			深藍	紅	深綠	黑			
	CODE			Deep Blue	Red	Deep Green	Black			
	PARTS NAME	PARTS NO.	VERSION	PB246SA	RR338SA	GG345SA	NH001SA			
26	SEAL LUGGAGE BOX	60520-LEE8-E00	1	N1R						
27	CHAMBER L COVER	61345-LEE8-E00	3							
28	COVER UNDER	64300-LEE8-E00	3							
29	COVER FRONT BUMPER	64302-LEE8-E00	3							
30	GRILLE FRONT	64303-LEE8-E00	4							
31	COVER R WINKER	64307-LEE8-800	1							
32	COVER L WINKER	64308-LEE8-800	1							
33	SIDE PANEL R	64315-LEE8-E00	1							
34	PANEL ASSY R	6431A-LEE8-E00	2							
35	SIDE PANEL L	64325-LEE8-E00	1							
36	PANEL ASSY L	6432A-LEE8-E00	2							
37	COVER TUNNEL	64330-LEE8-E00	4							
38	COVER ASSY CENTER	6434A-LEE8-E00	7							
39	PANEL R SIDE	64350-LEE8-E00	2							
40	SUPPORT R SIDE	64355-LEE8-E00	1							
41	PANEL L SIDE	64360-LEE8-E00	2							
42	SUPPORT L SIDE PANEL	64365-LEE8-E00	1							
43	PROTECTOR FUEL	64370-LEE8-E00	3							
44	PROTECTOR SIDE	64380-LEE8-E00	3							
45	BOX LUGGAGE	64390-LEE8-E00	3							
46	BOX ASSY LUGGAGE	6439A-LEE8-E00	4							
47	GUARD ENGINE	64400-LEE8-E00	6							
48	GUARD BOOT	64500-LEE8-E00	3							
49	LID REAR STORAGE	80100-LEE8-E00	3							
50	GUARD MUD	83620-LEE8-E00	2							
DATE OF STARTING-SALES										
DATE OF END-SALES										

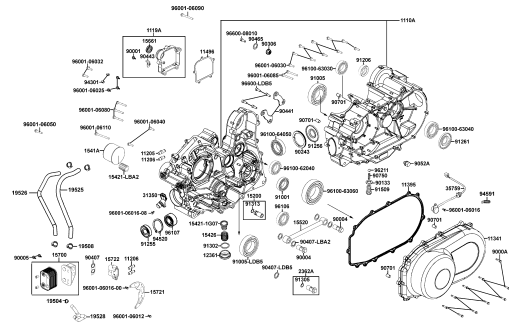
NO	MODEL			UAA0AD(FL) COLOR CHART			
	PHOTO NO			NO. 5	NO. 6		
	BASIC COLOR			萊姆綠	土黃		
	CODE			Lime Green	Yellow Ochre		
	PARTS NAME	PARTS NO.	VERSION	GG144SA	YR160SA		
26	SEAL LUGGAGE BOX	60520-LEE8-E00	1	N1R			
27	CHAMBER L COVER	61345-LEE8-E00	3				
28	COVER UNDER	64300-LEE8-E00	3				
29	COVER FRONT BUMPER	64302-LEE8-E00	3				
30	GRILLE FRONT	64303-LEE8-E00	4				
31	COVER R WINKER	64307-LEE8-800	1				
32	COVER L WINKER	64308-LEE8-800	1				
33	SIDE PANEL R	64315-LEE8-E00	1				
34	PANEL ASSY R	6431A-LEE8-E00	2				
35	SIDE PANEL L	64325-LEE8-E00	1				
36	PANEL ASSY L	6432A-LEE8-E00	2				
37	COVER TUNNEL	64330-LEE8-E00	4				
38	COVER ASSY CENTER	6434A-LEE8-E00	7				
39	PANEL R SIDE	64350-LEE8-E00	2				
40	SUPPORT R SIDE	64355-LEE8-E00	1				
41	PANEL L SIDE	64360-LEE8-E00	2				
42	SUPPORT L SIDE PANEL	64365-LEE8-E00	1				
43	PROTECTOR FUEL	64370-LEE8-E00	3				
44	PROTECTOR SIDE	64380-LEE8-E00	3				
45	BOX LUGGAGE	64390-LEE8-E00	3				
46	BOX ASSY LUGGAGE	6439A-LEE8-E00	4				
47	GUARD ENGINE	64400-LEE8-E00	6				
48	GUARD BOOT	64500-LEE8-E00	3				
49	LID REAR STORAGE	80100-LEE8-E00	3				
50	GUARD MUD	83620-LEE8-E00	2				
DATE OF STARTING-SALES							
DATE OF END-SALES							

NO	MODEL			UAA0AD(FL) COLOR CHART			
	PHOTO NO			NO. 1	NO. 2	NO. 3	NO. 4
	BASIC COLOR			深藍	紅	深綠	黑
	CODE			Deep Blue	Red	Deep Green	Black
	PARTS NAME	PARTS NO.	VERSION	PB246SA	RR338SA	GG345SA	NH001SA
51	BAND HARNESS WIRE	90656-KUDU-900	0	N1R			
52	COVER COMP HEAD	12310-LDB5-E00	1	N8A			
53	COVER LEFT	11341-LDB5-E00	5	NEA			
54	COVER STARTING	11348-LDB5-E00	2				
55	CALIPER ASSY REAR	43100-LEE8-E00	3	NJA			
56	CALIPER ASSY FR R	45100-LEE8-E00	1				
57	CALIPER ASSY FR L	45200-LEE8-E00	1				
58	FENDER FRONT	60100-LEE8-E00	3	CHR	E4R	GWR	N1R
59	TOP COVER FRONT	60300-LEE8-E00	2				
60	PANEL R REAR FENDER	83500-LEE8-E00	4				
61	PANEL L REAR FENDER	83600-LEE8-E00	4				
62	SEAT ASSY R	77200-LEE8-E00	2	T01			
63	HEADREST	77210-LEE8-E00	1				
64	SINGLE SEAT ASSY	77220-LEE8-E00	2				
65	SEAT ASSY L	77400-LEE8-E00	2				
66	STRIPE K-LOGO 28.5MM	86102-LDB5-900	3				
67	EMB K-LOGO 38MM-PP	86102-LEE8-900	3				
68	WARNING CARGO-	87033-LEE8-E00	1				
69	WARNING TOWING-ON	87040-LEE8-E01	2				
70	WARNING CANOPY	87321-LEE8-E00	1				
71	WARNING CARGO-ON	87323-LEE8-E01	2				
72	LABEL TIRE	87505-LEE8-E00	1				
73	WARNING ENGAGE	87512-LEE8-E00	1				
74	DRIVE WARNING LIST	87515-LEE8-E01	1				
75	DRIVE WARNING LIST	87517-LEE8-E01	1				
DATE OF STARTING-SALES							
DATE OF END-SALES							

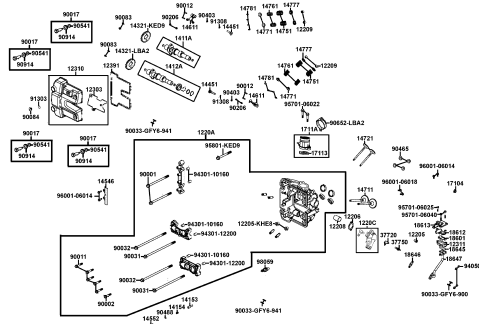
NO	MODEL			UAA0AD(FL) COLOR CHART			
	PHOTO NO			NO. 5	NO. 6		
	BASIC COLOR			萊姆綠	土黃		
	CODE			Lime Green	Yellow Ochre		
	PARTS NAME	PARTS NO.	VERSION	GG144SA	YR160SA		
51	BAND HARNESS WIRE	90656-KUDU-900	0	N1R			
52	COVER COMP HEAD	12310-LDB5-E00	1	N8A			
53	COVER LEFT	11341-LDB5-E00	5	NEA			
54	COVER STARTING	11348-LDB5-E00	2				
55	CALIPER ASSY REAR	43100-LEE8-E00	3	NJA			
56	CALIPER ASSY FR R	45100-LEE8-E00	1				
57	CALIPER ASSY FR L	45200-LEE8-E00	1				
58	FENDER FRONT	60100-LEE8-E00	3	Q2R			
59	TOP COVER FRONT	60300-LEE8-E00	2				
60	PANEL R REAR FENDER	83500-LEE8-E00	4				
61	PANEL L REAR FENDER	83600-LEE8-E00	4				
62	SEAT ASSY R	77200-LEE8-E00	2	T01			
63	HEADREST	77210-LEE8-E00	1				
64	SINGLE SEAT ASSY	77220-LEE8-E00	2				
65	SEAT ASSY L	77400-LEE8-E00	2				
66	STRIPE K-LOGO 28.5MM	86102-LDB5-900	3				
67	EMB K-LOGO 38MM-PP	86102-LEE8-900	3				
68	WARNING CARGO-	87033-LEE8-E00	1				
69	WARNING TOWING-ON	87040-LEE8-E01	2				
70	WARNING CANOPY	87321-LEE8-E00	1				
71	WARNING CARGO-ON	87323-LEE8-E01	2				
72	LABEL TIRE	87505-LEE8-E00	1				
73	WARNING ENGAGE	87512-LEE8-E00	1				
74	DRIVE WARNING LIST	87515-LEE8-E01	1				
75	DRIVE WARNING LIST	87517-LEE8-E01	1				
DATE OF STARTING-SALES							
DATE OF END-SALES							

CONTENTS - ENGINE GROUP

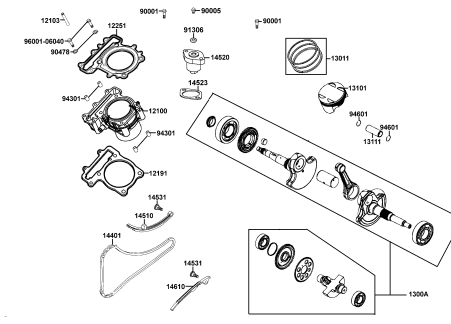
E01 曲軸箱



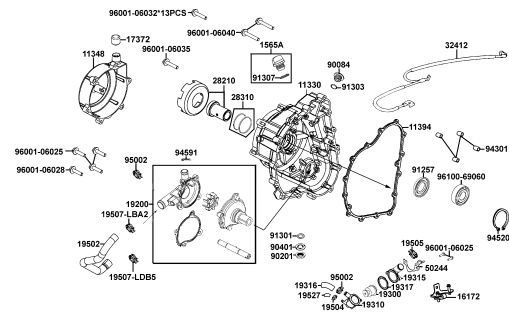
E02 汽缸頭蓋 汽缸頭



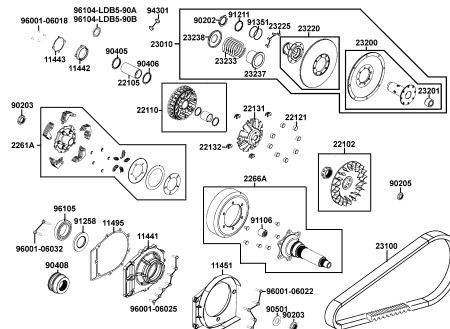
E03 汽缸 活塞 曲軸



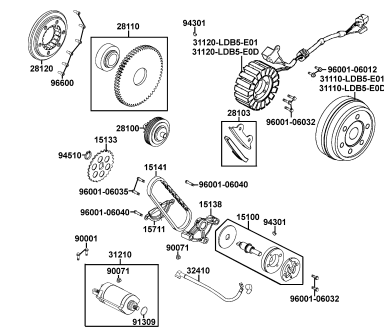
E04 右曲軸箱 水泵浦



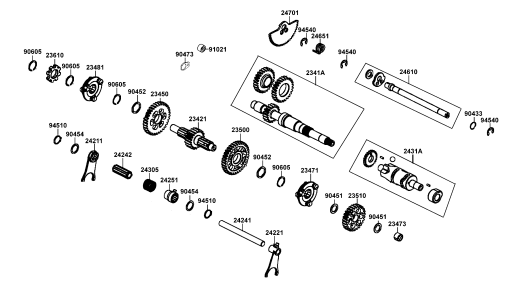
E05 傳動皮帶組



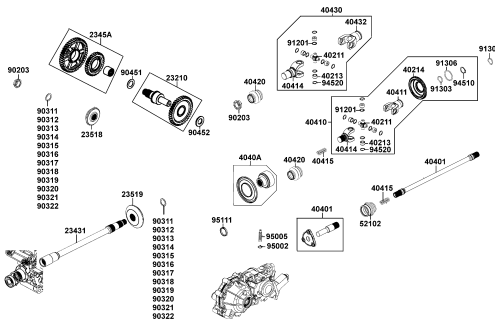
E06 起動馬達 發電機



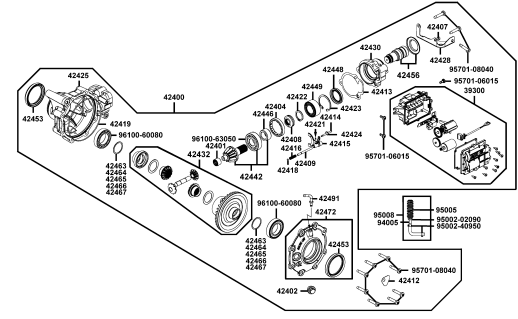
E07 傳動軸組



E08 萬向接頭組

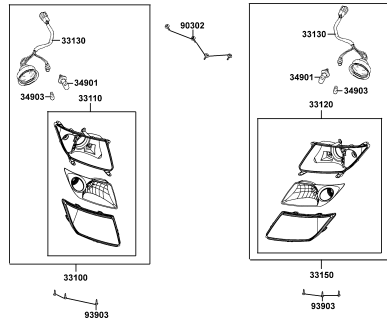


E09 前差速器組

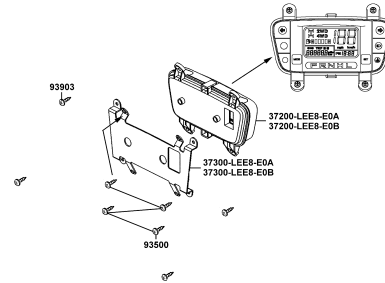


CONTENTS - FRAME GROUP

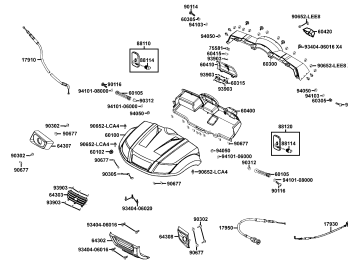
F01 前燈



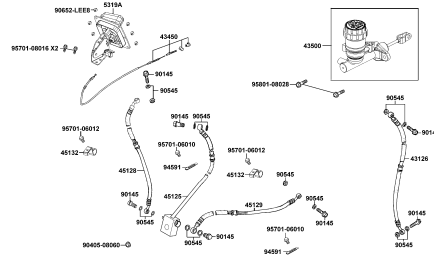
F02 儀表



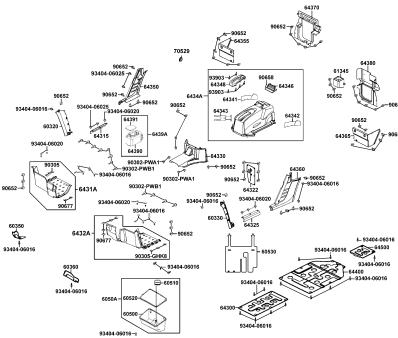
F03 前土除



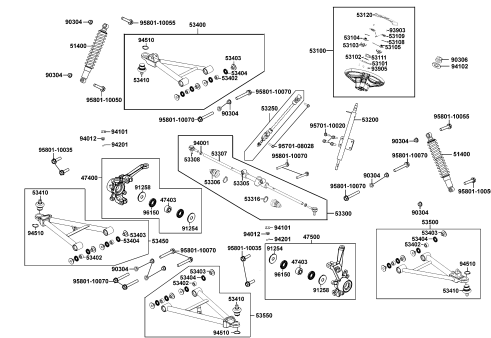
F04 後煞車油管



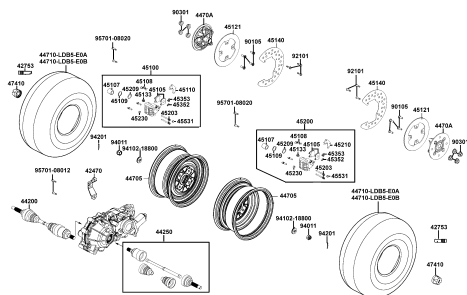
F05 置物箱 腳踏板



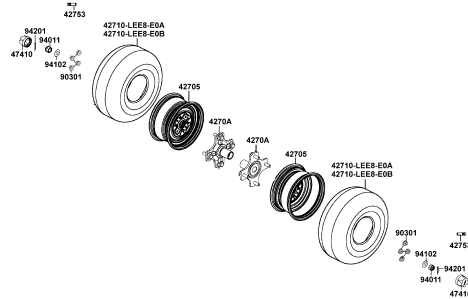
F06 前避震器 方向盤組



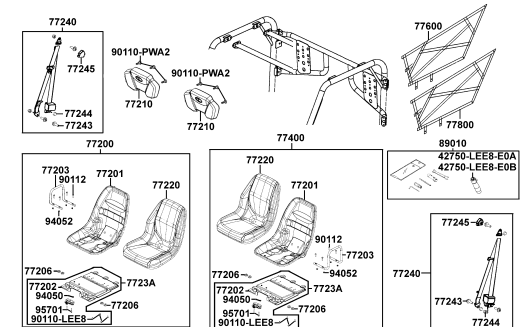
F07 前輪



F08 後輪

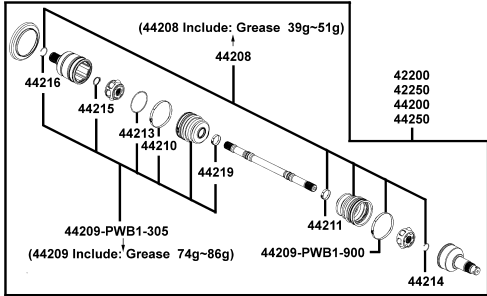


F09 座墊



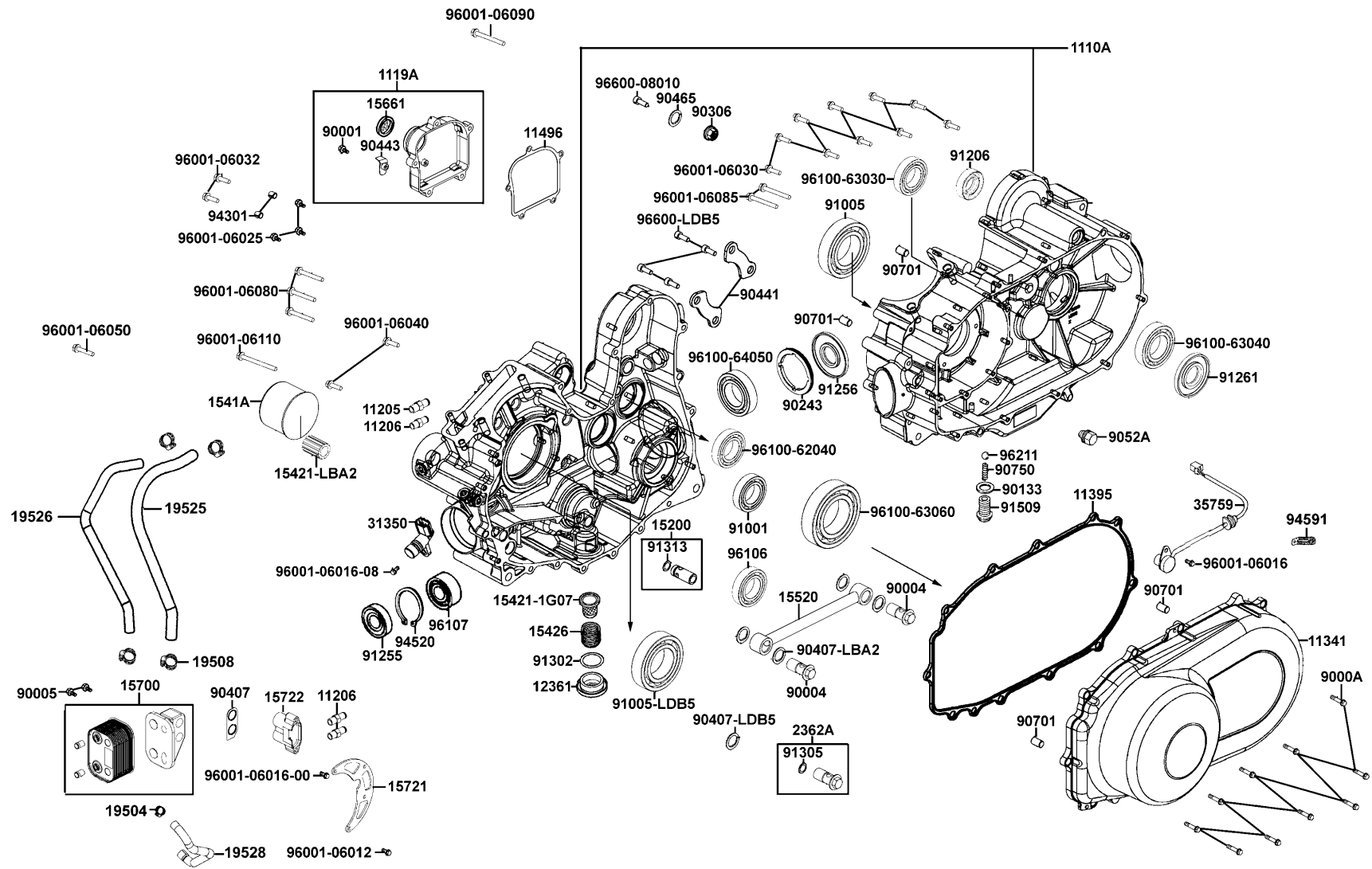
CONTENTS - FRAME GROUP

F28 傳動軸附件



E01

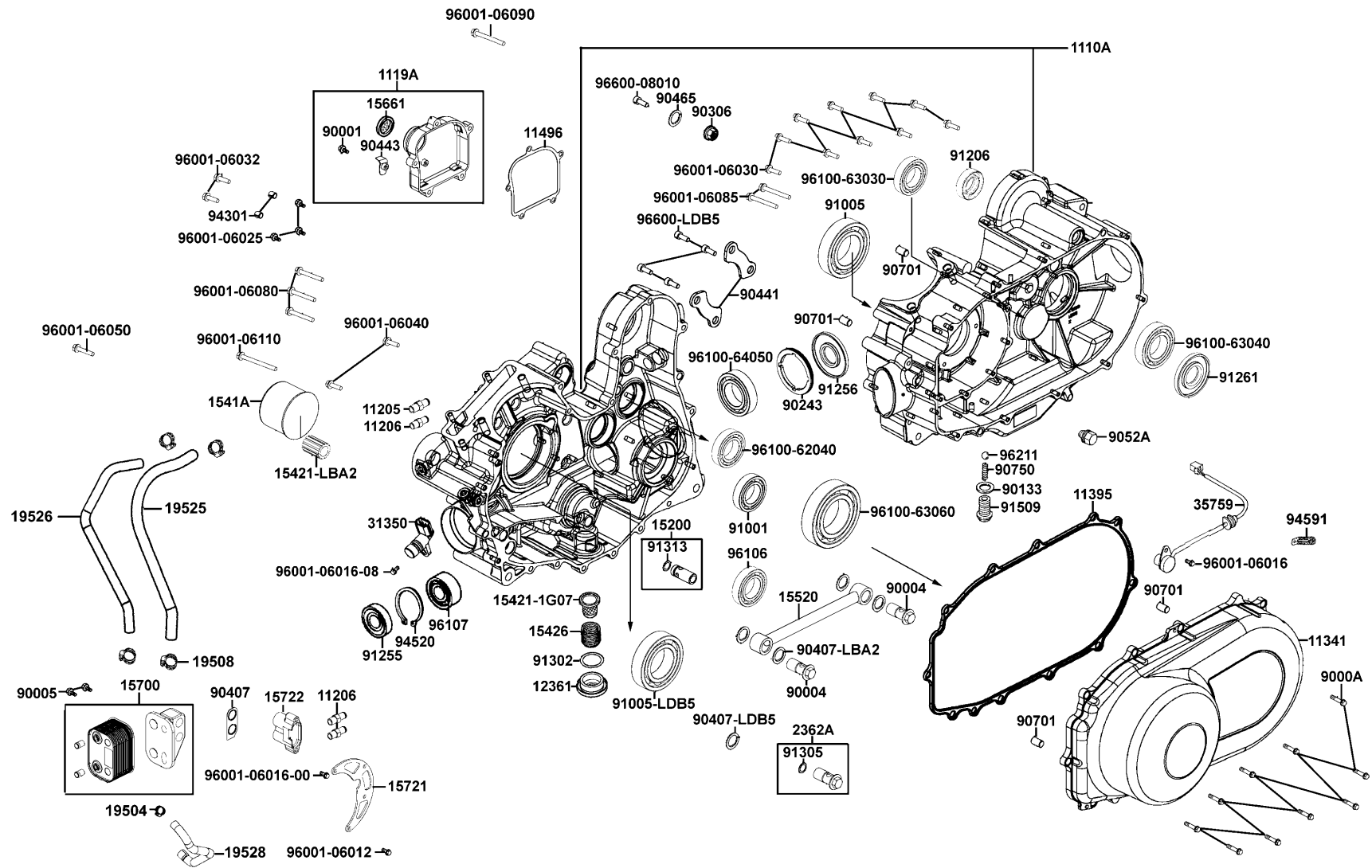
Crank Case 曲軸箱



Sales mark	Ref no	Part no	Ver	Description	Reg description	Regd no	E01
	1110A	1110A-LEE8-E00	0	CRANK ASSY R/L	曲軸箱總成	1	
	1119A	1119A-LDB5-E00	4	CAP ASSY R CASE	右曲軸箱蓋	1	
	11205	11205-LEE8-E00	2	OIL COOLER BOLTx23	冷卻器螺栓	1	
	11206	11206-LEE8-E00	2	OIL COOLER BOLT * 12	螺絲	2	
**	11341	11341-LDB5-E00	5	COVER LEFT	左曲軸箱蓋	1	
	11395	11395-LDB5-E00	1	GASKET L COVER	左曲軸箱蓋墊片	1	
	11496	11496-LDB5-E00	3	GASKET R CASE CAP	墊片	1	
	12361	12361-GFY6-901	1	HOLE CAP TAPPET ADJUSTING	調節螺帽	1	
	15200	15200-KED9-900	7	OIL RELIEF VALVE ASSY	油門閥組	1	
	1541A	1541A-LBA2-E00	2	ELEMENT COMP OIL FILTER	海綿濾清器	1	
	15421-1G07	15421-1G07-001	1	SCREEN OIL FILTER	濾油網	1	
	15421-LBA2	15421-LBA2-E00	2	BOLT OIL FILTER	螺絲	1	
	15426	15426-GAE1-921	0	SPG OIL FILTER SCREEN	濾油網彈簧	1	
	15520	15520-LDB5-E00	1	PIPE COMP OIL	機油承軸	1	
	15661	15661-LBA7-900	1	FINDER OIL LEVEL	機油檢視窗	1	
	15700	15700-LBA2-E00	2	OIL WATER HEAT EXCHANGER	油水溫度交換座	1	
	15721	15721-LEE8-E00	7	STAY OIL COOLER	支架	1	
	15722	15722-LEE8-E00	3	COUPLE OIL COOLER	機油冷卻栓	1	
	19504	19504-LBA2-E00	3	CLAMP D 16.8	管夾	1	
	19508	19508-LEE8-E00	1	CLAMP 20.0	管夾	4	

E01

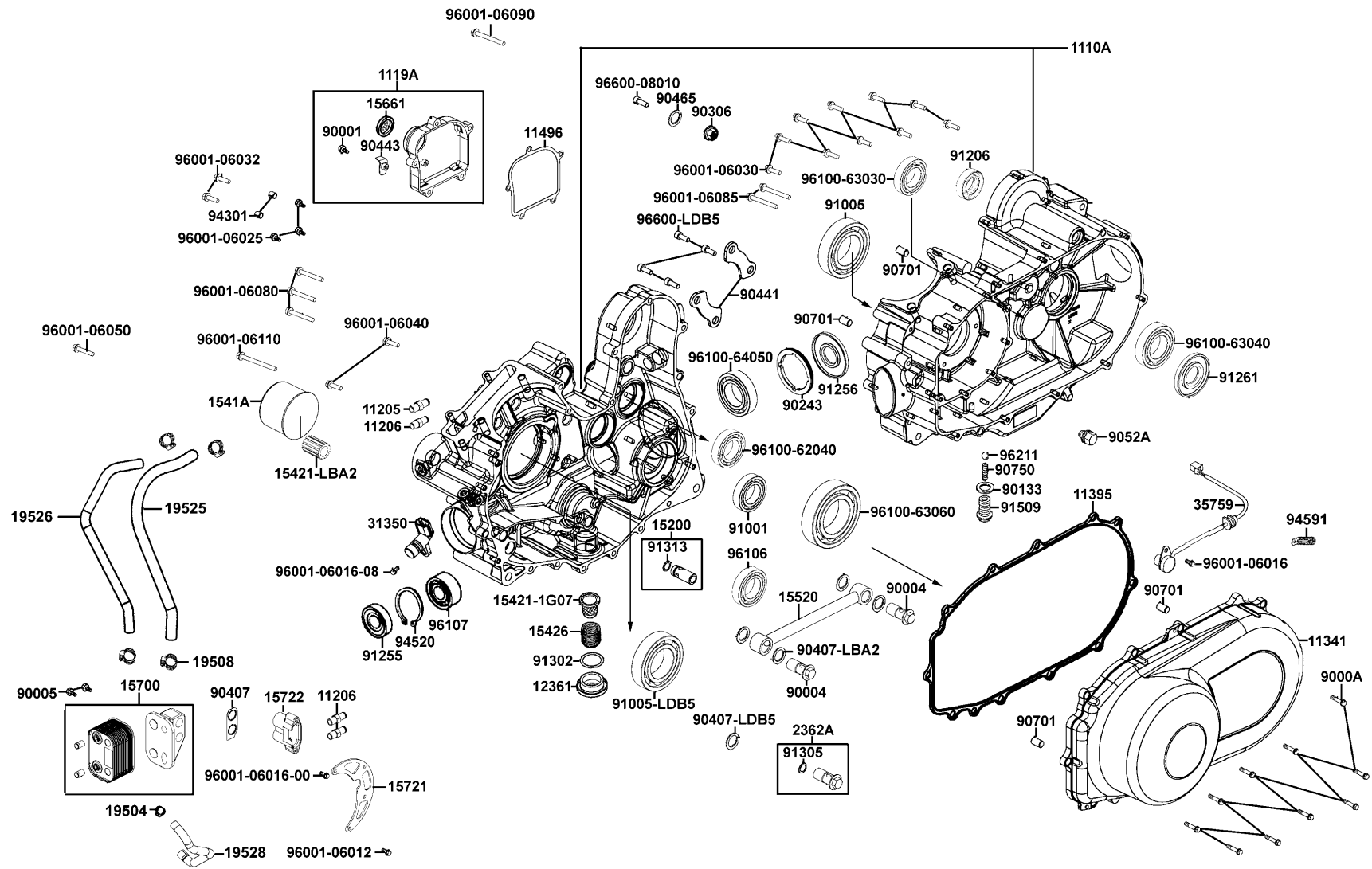
Crank Case 曲軸箱



Sales mark	Ref no	Part no	Ver	Description	Reg description	Regd no	E01
	19525	19525-LEE8-E00	4	OIL COOLER HOSE OIL IN	油管	1	
	19526	19526-LEE8-E00	3	OIL COOLER HOSE OIL EX	油管	1	
	19528	19528-LEE8-E00	2	OIL COOLER HOSE WATER EX	油管	1	
	2362A	2362A-LDB5-E00	1	BOLT ASSY PARK	螺絲	1	
	31350	31350-LDB5-E0A	1	SENSOR SPEED	感測器	1	
	35759	35759-LDB5-E00	3	SW ASSY GEAR CHANGE	檔位燈變換開關組	1	
	90001	90001-GFY6-901	1	SOCKET BOLT 6*10	螺絲 6X10	1	
	90004	90004-LBA2-E00	3	BOLT B OIL PASS	螺栓	2	
	90005	90005-LBA2-E00	3	BOLT C OIL PASS	C型流通螺栓	2	
	9000A	9000A-KTDT-900	1	BOLT ASSY SPECIAL 6*29.5	特殊螺絲6*29.5	10	
	90133	90133-LDB5-E00	1	WASHER BOLT SEAT	華司	1	
	90243	90243-LDB5-E00	1	NUT LOCK 85MM	螺帽 85MM	1	
	90306	90306-KLF0-004-SY	1	NUT FLANGE 12MM	螺帽 12MM	1	
	90407-LBA2	90407-LBA2-E00	2	SEALING WASHER OIL PIPE	墊片	4	
	90407-LDB5	90407-LDB5-E00	0	WASHER THRUST 12*30*1	華司 12*30*1	1	
	90441	90441-LDB5-E00	3	PLATE BRG HOLD	華司	2	
	90443	90443-LDB5-E00	2	PLATE FINDER HOLD	華司	1	
	90465	90465-MDC4-001	0	WASHER 8MM	華司 8MM	1	
	9052A	9052A-LDB5-E00	1	BOLT ASSY DRAIN PLUG	洩油螺絲	1	
	90701	90701-9E65-001	0	PIN DOWEL 10*16	插銷	4	

E01

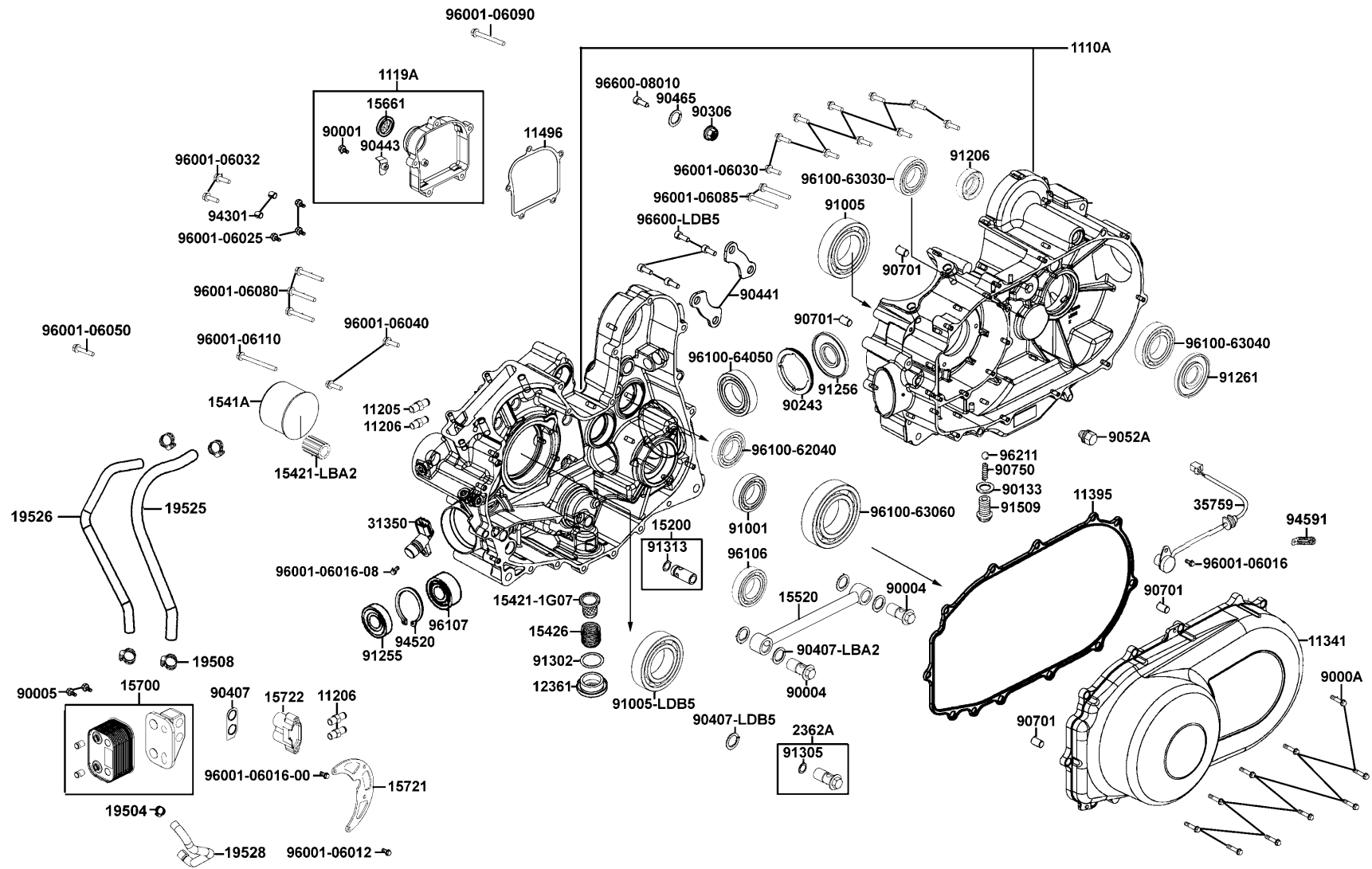
Crank Case 曲軸箱



Sales mark	Ref no	Part no	Ver	Description	Reg description	Regd no	E01
	90750	90750-LDB5-E00	3	SPG STOPPER	彈簧	1	
	91001	91001-KHV8-004	0	BRG BALL RADIAL 6305	軸承 6305	1	
	91005	91005-LDB5-E00	1	BEARING BALL RADIAL 6205	軸承 6205	2	
	91206	91206-LDB5-E00	0	OIL SEAL 14*24*7	油封 14*24*7	1	
	91255	91255-LDB5-E00	1	OIL SEAL 35*67*7	油封 35*67*7	1	
	91256	91256-LDB5-E00	1	OIL SEAL 35*90*7	油封 35*90*7	1	
	91261	91261-LDB5-E00	2	OIL SEAL 30*72*8	油封 30*72*8	1	
	91302	91302-0A01-021	0	O-RING 30.8M/M	O環 30.8MM	1	
	91305	91305-GLE0-001	0	O-RING 9*1.7	O環 9*1.7	1	
	91313	91313-KED9-900	3	O-RING 15.5*1.5	O環 15.5*1.5	1	
	91509	91509-LDB5-E00	5	BOLT STOPPER	螺絲	1	
	94301	94301-08140	0	DOWEL PIN 8*14	定位銷 8X14	2	
	94520	94520-65000	1	CIR CLIP IN 65	夾子	1	
	94591	94591-LEE8-E00	1	CLIP 2*100	夾子	1	
#	96001-06012	96001-06012-08	0	BOLT FLANGE 6*12	螺絲 6*12	1	
	96001-06016-00	96001-06016-00	0	BOLT FLANGE SH 6*16	螺絲 6*16	1	
#	96001-06016-08	96001-06016-08	0	BOLT FLANGE SH 6*16	凸緣螺栓	1	
	96001-06025	96001-06025-08	0	BOLT FLANGE SH 6*25	螺絲 6*25	3	
	96001-06030	96001-06030-08	0	BOLT FLANGE SH 6*30	螺絲 6*30	10	
	96001-06032	96001-06032-08	0	BOLT FLANGE SH 6*32	螺栓 6*32	2	

E01

Crank Case 曲軸箱



Sales mark	Ref no	Part no	Ver	Description	Reg description	Regd no	E01
	96001-06040	96001-06040-08	0	BOLT FLANGE 6*40	螺絲 6*40	2	
	96001-06050	96001-06050-08	0	BOLT FLANGE 6*50	螺絲 6X50	1	
	96001-06080	96001-06080-08	0	BOLT FLANGE SH 6*80	螺絲 6*80	3	
	96001-06085	96001-06085-06	0	BOLT FLANGE 6*85	螺絲 6*85	2	
	96001-06090	96001-06090-08	0	BOLT FLANGE SH 6*90	螺絲 6*90	1	
	96001-06110	96001-06110-08	0	BOLT FLANGE SH 6*110	螺絲 6X110	1	
	96100-62040	96100-62040-00	0	BRG BALL RADIAL 6204	軸承 6204	1	
	96100-63030	96100-63030-00	0	BEARING BALL RADIAL 6303	軸承 6303	1	
	96100-63040	96100-63040-00	1	BRG BALL RADIAL 6304	軸承 6304	1	
	96100-63060	96100-63060-00	0	BRG BALL RADIAL 6306	軸承 6306	1	
	96100-64050	96100-64050-00	1	BRG BALL RADIAL 6405	軸承 6405	1	
	96106	96106-LDB5-E00	1	BEARING BALL RADIAL	軸承	1	
	96107	96107-LDB5-E00	1	BEARING BALL RADIAL	軸承	1	
	96211	96211-16000	2	SAE 1015	鋼珠	1	
	96600-08010	96600-08010-10	1	SOCKET BOLT 8*10	內六角螺絲 8X10	1	
	96600-LDB5	96600-LDB5-E00	1	SOCKET BOLT 8*20	螺絲 8*20	4	

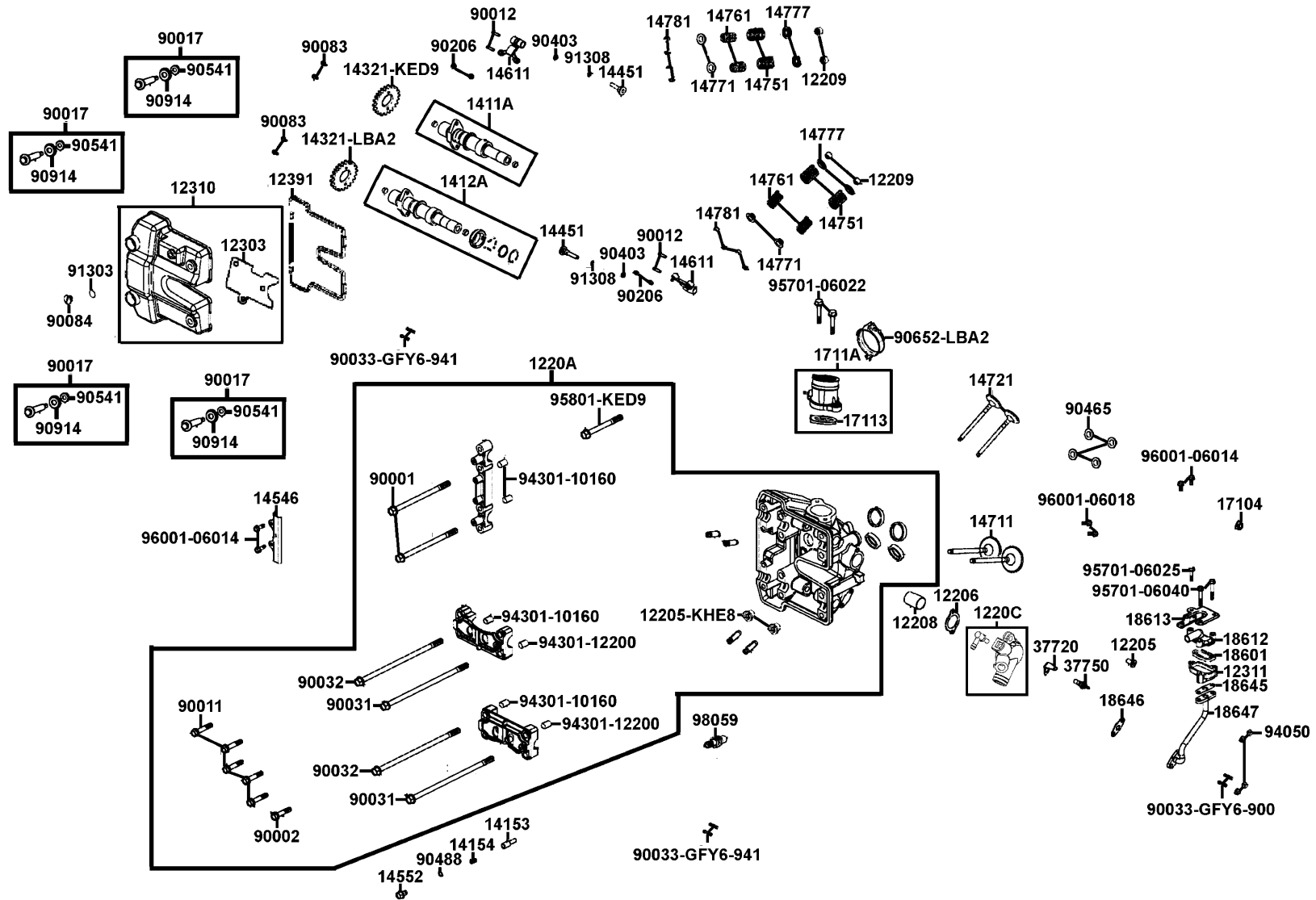
E02

Cylinder Head Cover

Cylinder Head

汽缸頭蓋

汽缸頭



Sales mark	Ref no	Part no	Ver	Description	Reg description	Regd no	E02
	12205	12205-KHE8-301	1	BOLT SEALING 12MM	封閉螺栓	1	
	12206	12206-LBA2-E00	2	GASKET WATER COVER	墊片	1	
	12208	12208-LBA2-E00	3	STOPPER HEAD WATER	止動閥	1	
	12209	12209-GDB4-68A	0	SEAL VALVE STEM	門閥徑封	4	
	1220A	1220A-LDG7-900	3	HEAD ASSY CYLINDER	汽缸頭	1	
	1220C	1220C-LEE8-900	0	WATER COVER HEAD	水頭蓋	1	
	12303	12303-LBA2-E00	3	GASKET PLATE	薄板墊片	1	
**	12310	12310-LDB5-E00	1	COVER COMP HEAD	汽缸頭蓋	1	
	12311	12311-KBE2-900	4	BODY REED VALVE	單向閥蓋	1	
	12391	12391-LBA2-E00	1	SEAL HEAD COVER	汽缸頭蓋墊片	1	
	1411A	1411A-LBA2-E00	10	CAMSHAFT INLET COMP	輪軸	1	
#	1412A	1412A-LDG7-E00	3	CAMSHAFT EXH COMP	排汽門凸輪軸	1	
	14153	14153-LBA2-E00	3	STOPPER	止動閥	1	
	14154	14154-LBA2-E00	1	SPRING STOPPER	彈簧	1	
	14321-KED9	14321-KED9-900	5	SPROCKET CAMSHAFT	齒輪	1	
	14321-LBA2	14321-LBA2-E00	2	SPROCKET CAMSHAFT	齒輪	1	
	14451	14451-LBA2-E00	2	SHAFT ROCKER ARM	臂軸	2	
	14546	14546-LBA2-E00	4	GUIDE UPPER TENSIONER	導管	1	
	14552	14552-KGBG-900	0	STOPPER BOLT	制止螺絲	1	
	14611	14611-LBA2-E00	3	ARM VALVE ROCKER	搖桿臂門閥	2	

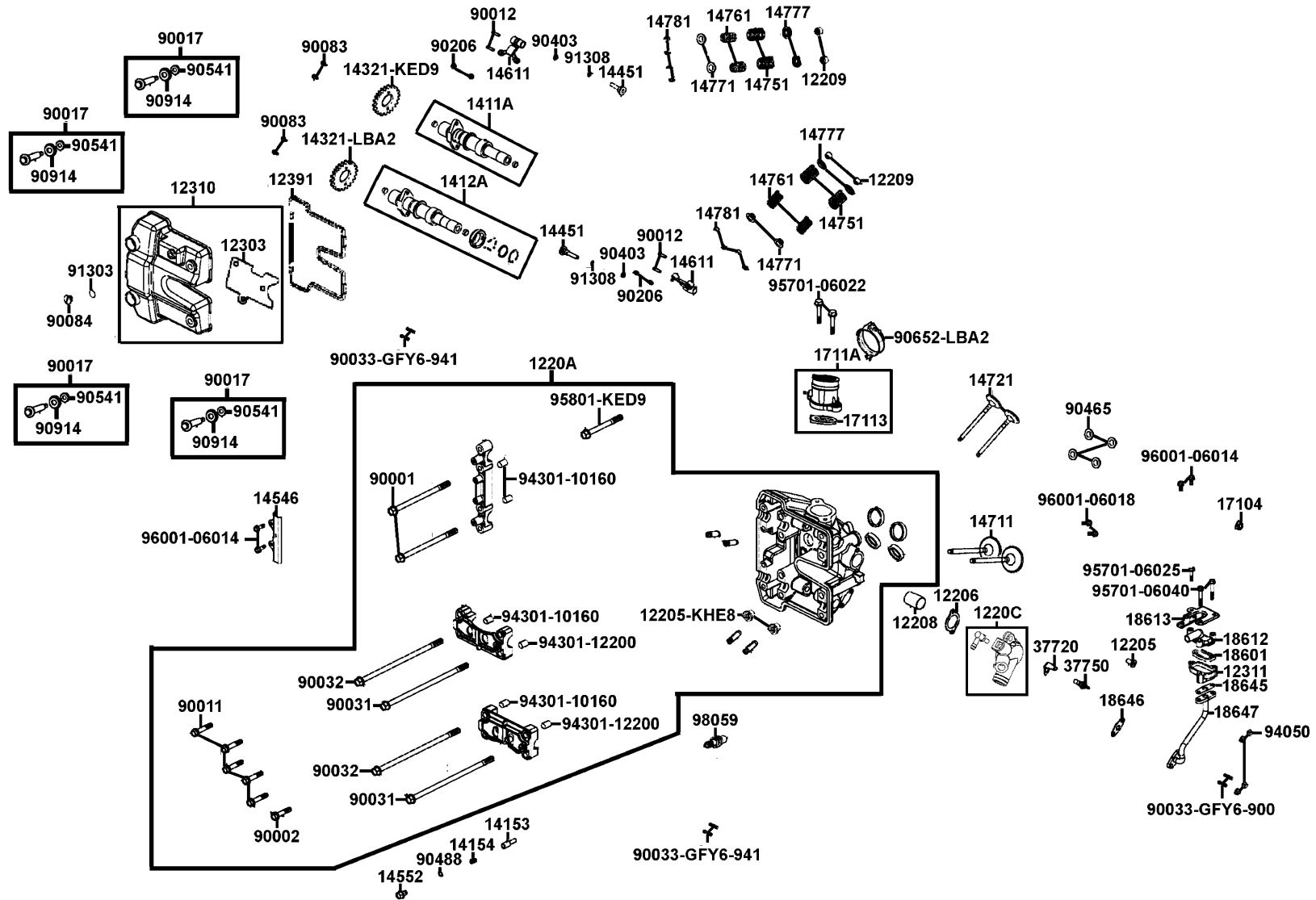
E02

Cylinder Head Cover

Cylinder Head

汽缸頭蓋

汽缸頭



Sales mark	Ref no	Part no	Ver	Description	Reg description	Regd no	E02
	14711	14711-LDG7-900	1	VALVE INLET	進氣門閥	2	
	14721	14721-LBA2-E00	1	VALVE EXHAUST	排氣門閥	2	
	14751	14751-LBA2-E00	1	SPG VALVE OUTER	門閥外彈簧	4	
	14761	14761-LDG7-900	1	SPG VALVE INNER	門閥內彈簧	4	
	14771	14771-KED9-900	2	RETAINER VALVE SPRING	閥門彈簧定位器	4	
	14777	14777-LBA2-E00	2	SEAT VALVE SPG	彈簧門閥	4	
	14781	14781-MFA6-001	0	COTTER VALVE	閥門鎖扣	8	
	17104	17104-LEE8-E00	2	SOCKET INLET PIPE	承口	1	
	17113	17113-LBA2-E00	1	O-RING INLET PIPE	O環	1	
	1711A	1711A-LFE9-E00	1	PIPE ASSY INLET	通氣管	1	
	18601	18601-KBE2-900	4	REED VALVE COMP LDV 52*27*6.0	簧片單向閥	1	
	18612	18612-KFB5-900	1	COVER REED VALVE	簧片單向閥蓋	1	
	18613	18613-LDB5-E00	2	STAY REED VALVE ASSY	支架組	1	
	18645	18645-LBA2-E00	1	GASKET A/I PIPE	進器鐵管墊片	1	
	18646	18646-GFY6-941	0	GAKT A/I PIPE	通氣管墊片	1	
	18647	18647-LBA2-E00	4	PIPE COMP AIR	通氣鐵管	1	
	37720	37720-KGB5-900	0	EARTH TERMINAL THERMO	恆溫器座	1	
	37750	37750-PAC1-005	0	THERMO UNIT ASSY	自動控溫器	1	
	90001	90001-LBA2-E00	2	BOLT UBS 8*137	螺絲 8*137	2	
	90002	90002-LBA2-E00	2	BOLT UBS 8*201	螺絲 8*201	1	

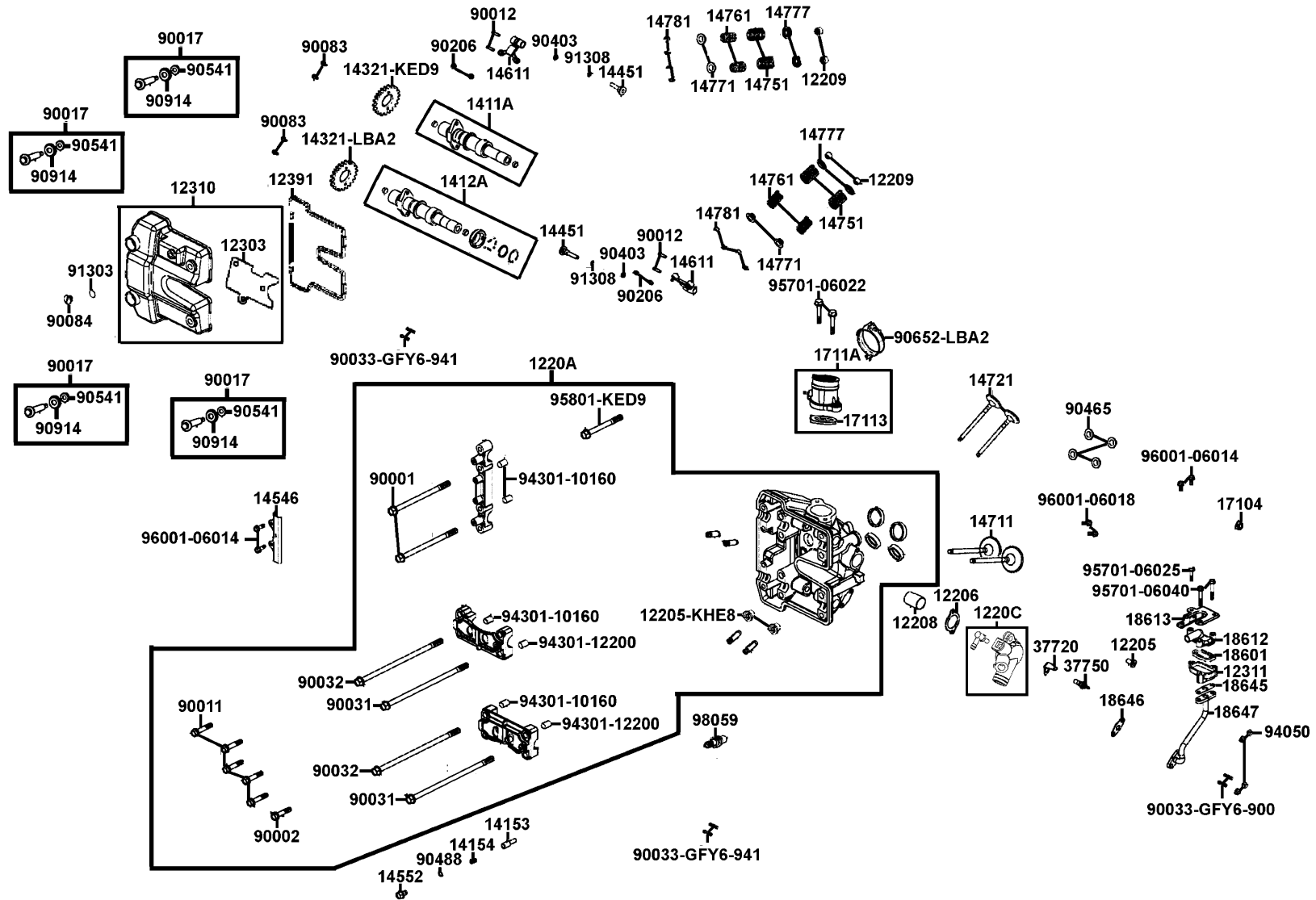
E02

Cylinder Head Cover

Cylinder Head

汽缸頭蓋

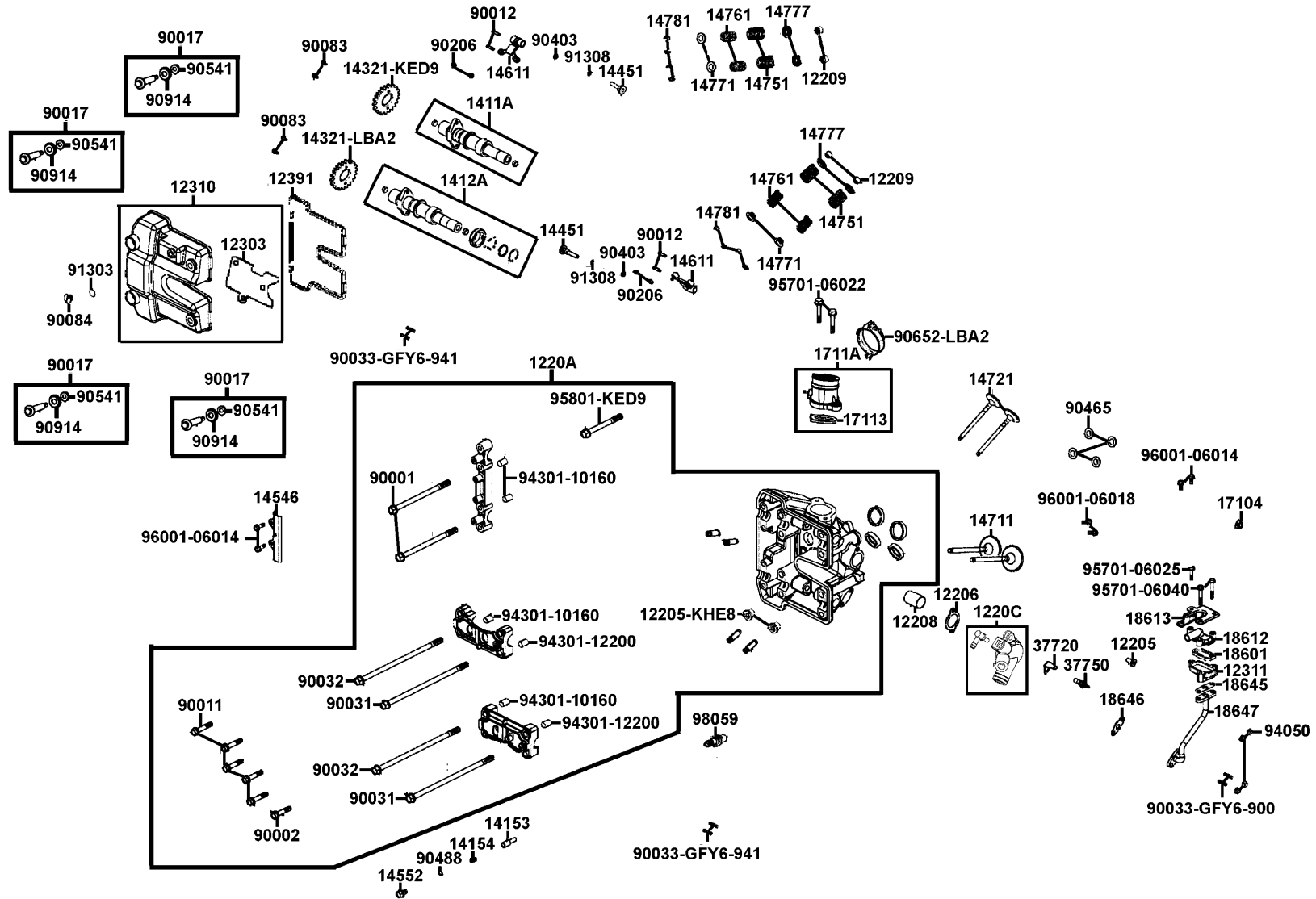
汽缸頭



Sales mark	Ref no	Part no	Ver	Description	Reg description	Regd no	E02
	90011	90011-KED9-900	1	BOLT UBS 8*48	螺絲 8*48	5	
	90012	90012-3C33-001	0	SCREW TAPPET ADJUSTING	樞軸調整螺絲	4	
	90017	90017-KED9-900	3	BOLT ASSY HEAD COVER	螺絲組	4	
	90031	90031-LBA2-E00	3	BOLT UBS 10*220	螺絲 10*220	2	
	90032	90032-LBA2-E00	3	BOLT UBS 10*210	螺絲 10*210	2	
	90033-GFY6-900	90033-GFY6-900	0	BOLT STUD 8*32	螺絲 8X32	2	
	90033-GFY6-941	90033-GFY6-941	0	BOLT STUD 6*16	特殊螺絲 6*16	4	
	90083	90083-KED9-900	2	BOLT KNOCK 6MM	螺絲 6MM	4	
**	90084	90084-4H28-001	0	CAP ACG	A.C.G 蓋	1	
	90206	90206-0A01-001	1	NUT TAPPET ADJG	挺桿調整螺帽	4	
	90403	90403-KED9-900	2	WASHER WAVE 10MM	墊片 10MM	2	
	90465	90465-LBA2-E00	1	WASHER 10.2 MM	墊片 10.2MM	4	
	90488	90488-7L00-001	0	WASHER 8MM	華司 8MM	1	
	90541	90541-KED9-900	1	RUBBER MOUNTING	螺絲橡皮	4	
	90652	90652-LBA2-E00	1	C-HOPE 40-59	夾子	1	
	90914	90914-KED9-900	3	WASHER HEAD COVER BOLT	汽缸頭華司	4	
	91303	91303-3G77-001	0	O-RING 13.8*2.5	O環 13.8X2.5	1	
	91308	91308-KED9-900	1	O-RING 17.5*1.5	O環 17.5*1.5	2	
#	94050	94050-06080	0	NUT FLANGE 6MM	螺帽 6MM	4	
	94301-10160	94301-10160	0	DOWEL PIN 10*16	定位銷 10X16	4	

E02

Cylinder Head Cover Cylinder Head 汽缸頭蓋 汽缸頭



Sales mark	Ref no	Part no	Ver	Description	Reg description	Regd no	E02
	94301-12200	94301-12200	1	DOWEL PIN 12*20	定位銷 12*20	2	
	95701-06022	95701-06022-08	0	BOLT FLANGE 6*22	螺絲 6*22	2	
	95701-06025	95701-06025-08	0	BOLT FLANGE 6*25	螺絲 6*25	1	
	95701-06040	95701-06040-08	0	BOLT FLANGE 6*40	螺絲 6*40	2	
	95801	95801-KED9-900	2	BOLT UBS 8*71	螺絲 8*71	1	
#	96001-06014	96001-06014-08	0	BOLT FLANGE 6*14	螺絲 6X14	2	
#	96001-06018	96001-06018-08	0	BOLT FLANGE SH 6*18	螺絲 6X18	2	
	98059	98059-57916-00	2	SPARK PLUG CR7E	火星塞	1	

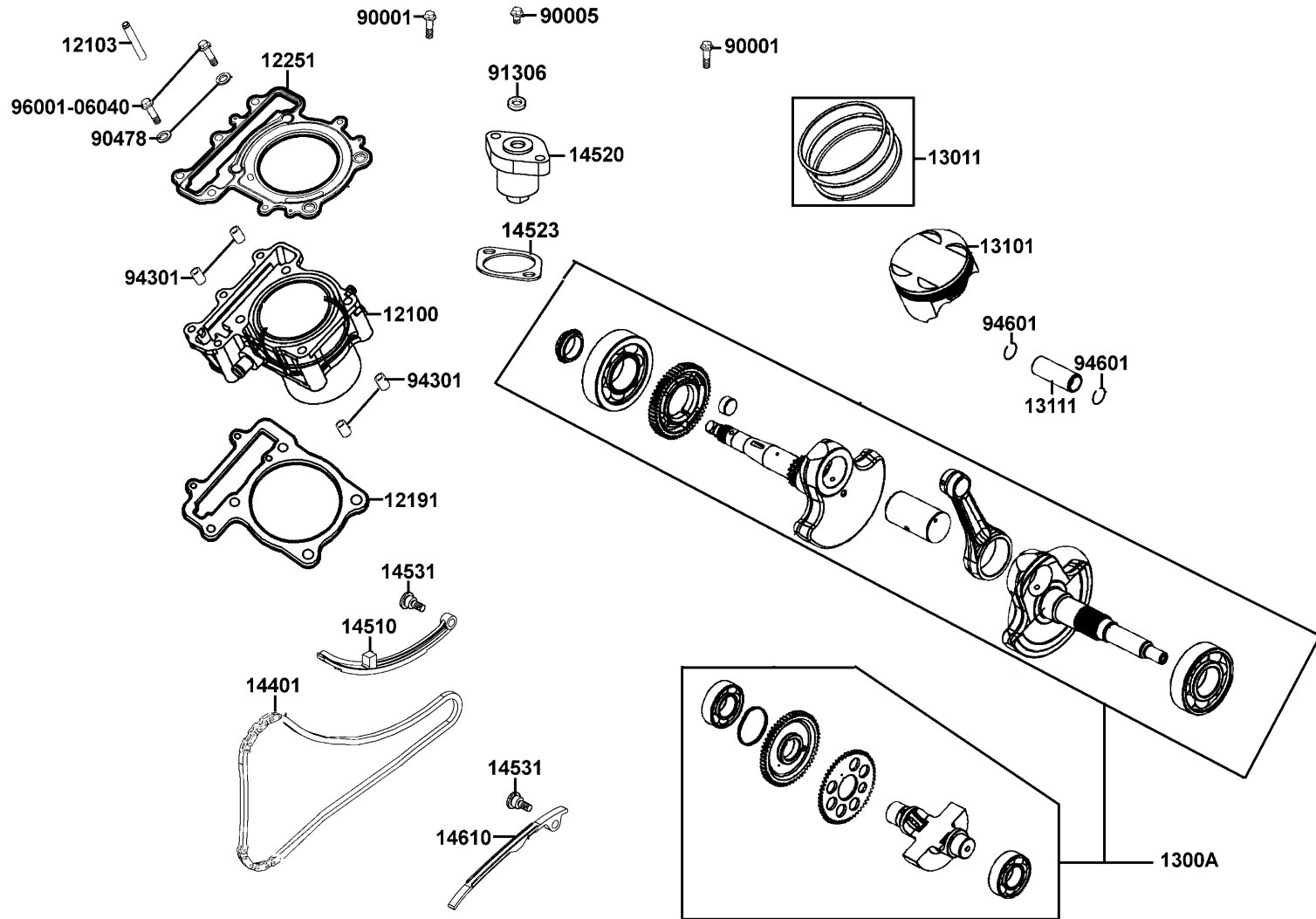
E03

Cylinder

Piston

Crankshaft

汽缸 活塞 曲軸



Sales mark	Ref no	Part no	Ver	Description	Reg description	Regd no	E03
	12100	12100-LDB5-E00	4	CYLINDER COMP	汽缸	1	
	12103	12103-LBA2-E00	1	STOPPER CYLN WATER	汽缸止動閥	1	
	12191	12191-LDB5-E00	2	GASKET CYLINDER	汽缸墊片	1	
	12251	12251-LBA2-E00	4	GASKET CYLINDER HEAD	汽缸頭墊片	1	
	1300A	1300A-LDB5-309	1	CRANK BLANCER COMP	曲軸/平衡軸組/藍	1	
	13011	13011-LBA2-E0A	1	RING SET PISTON	活塞環組	1	
	13101	13101-LBA2-E00	13	PISTON	活塞	1	
	13111	13111-LBA2-E00	4	PIN PISTON	活塞銷	1	
	14401	14401-LBA2-E00	1	CHAIN CAM	凸輪軸驅動鍊條	1	
	14510	14510-LDB5-E00	5	TENSIONER CAM CHAIN	內鍊條拉力桿	1	
	14520	14520-LDB5-E00	2	LIFTER ASSY TENSIONER	內鍊條調整器	1	
	14523	14523-KED9-900	0	GASKET TENSIONER LIFTER @A	內鍊條調整器墊片	1	
	14531	14531-KED9-900	4	PIVOT TENSION GUIDE	拉力桿螺絲	2	
	14610	14610-LBA2-E00	5	GUIDE COMP CAM CHAIN	鍊條導件	1	
	90001	90001-GBHB-661	0	BOLT FLANGE SH 6*22	螺絲 6*22	2	
	90005	90005-KEC8-900	1	BOLT SPECIAL 6*6	特殊螺絲 6*6	1	
	90478	90478-7L00-001	0	WASHER 6MM	華司 6MM	2	
	91306	91306-1E05-691	0	O-RING 1.5*9.5	O環 1.5*9.5	1	
	94301	94301-12200	1	DOWEL PIN 12*20	定位銷 12*20	4	
	94601	94601-22000	1	CLIP PISTON PIN 22MM	活塞銷環夾 22MM	2	

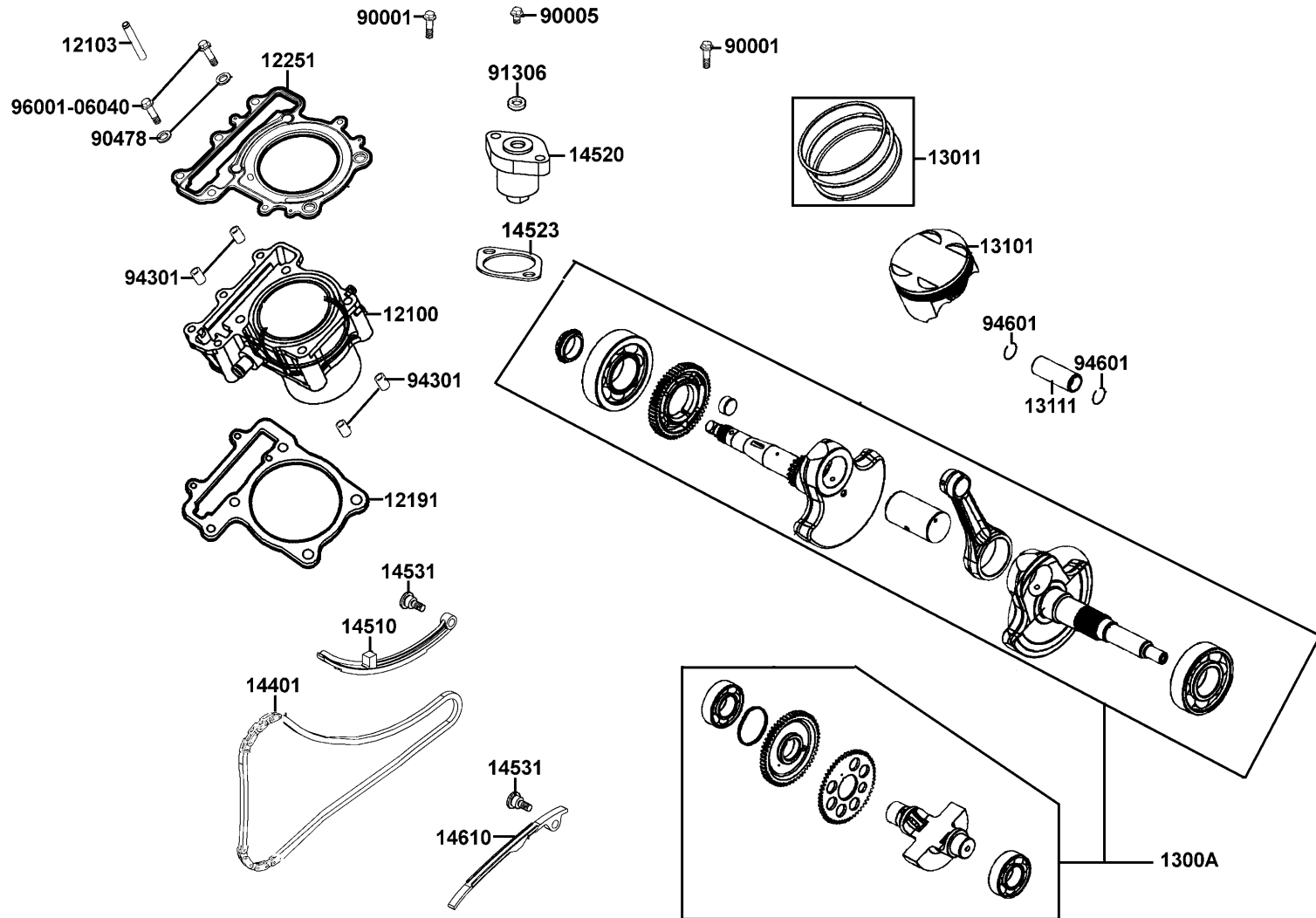
E03

Cylinder

Piston

Crankshaft

汽缸 活塞 曲軸

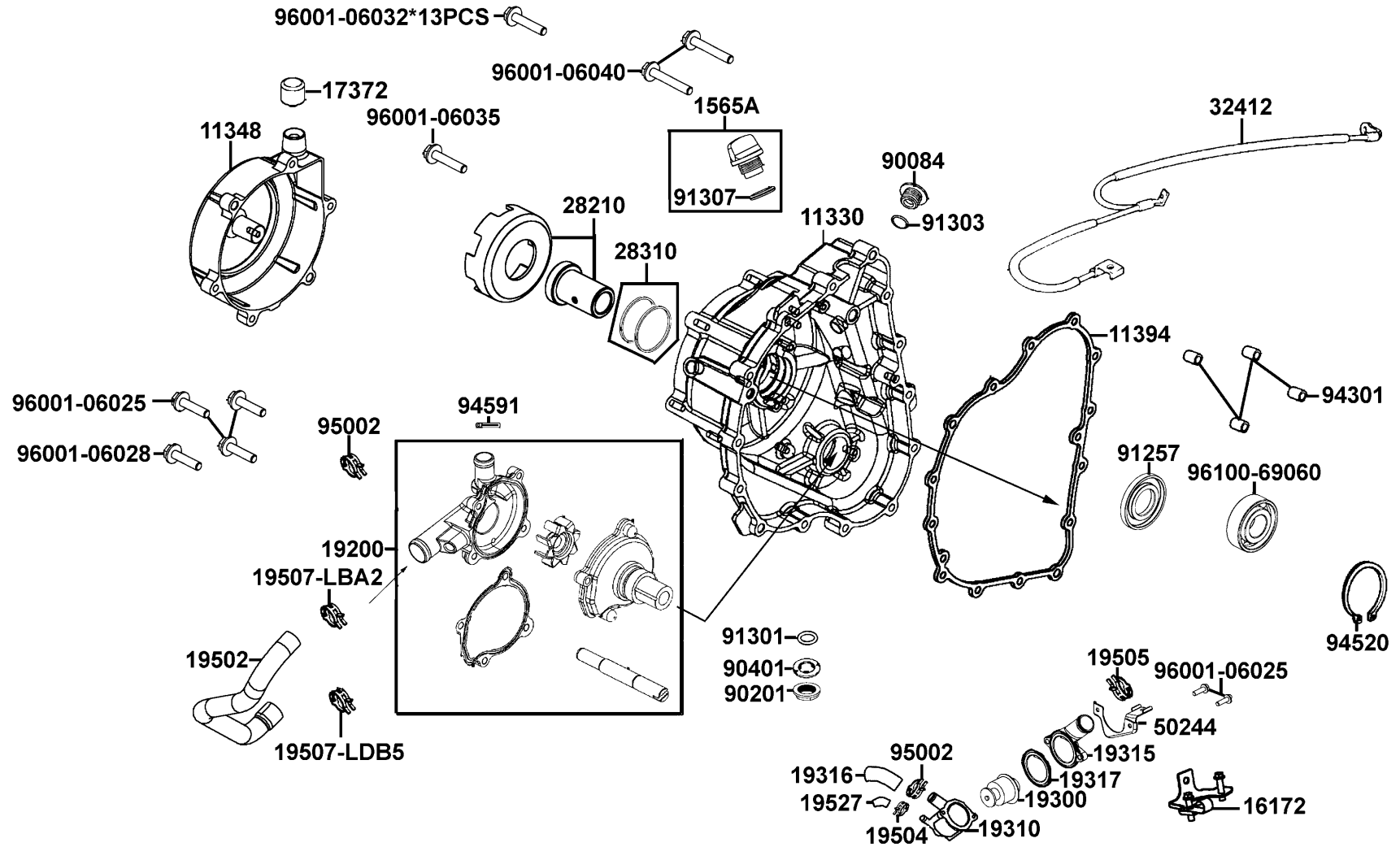


Sales mark	Ref no	Part no	Ver	Description	Reg description	Regd no	E03
------------	--------	---------	-----	-------------	-----------------	---------	------------

96001	96001-06040-08	0	BOLT FLANGE 6*40	螺絲 6*40	2		
-------	----------------	---	------------------	---------	---	--	--

E04

Right Crankcase Cover Water Pump 右曲軸箱 水泵浦

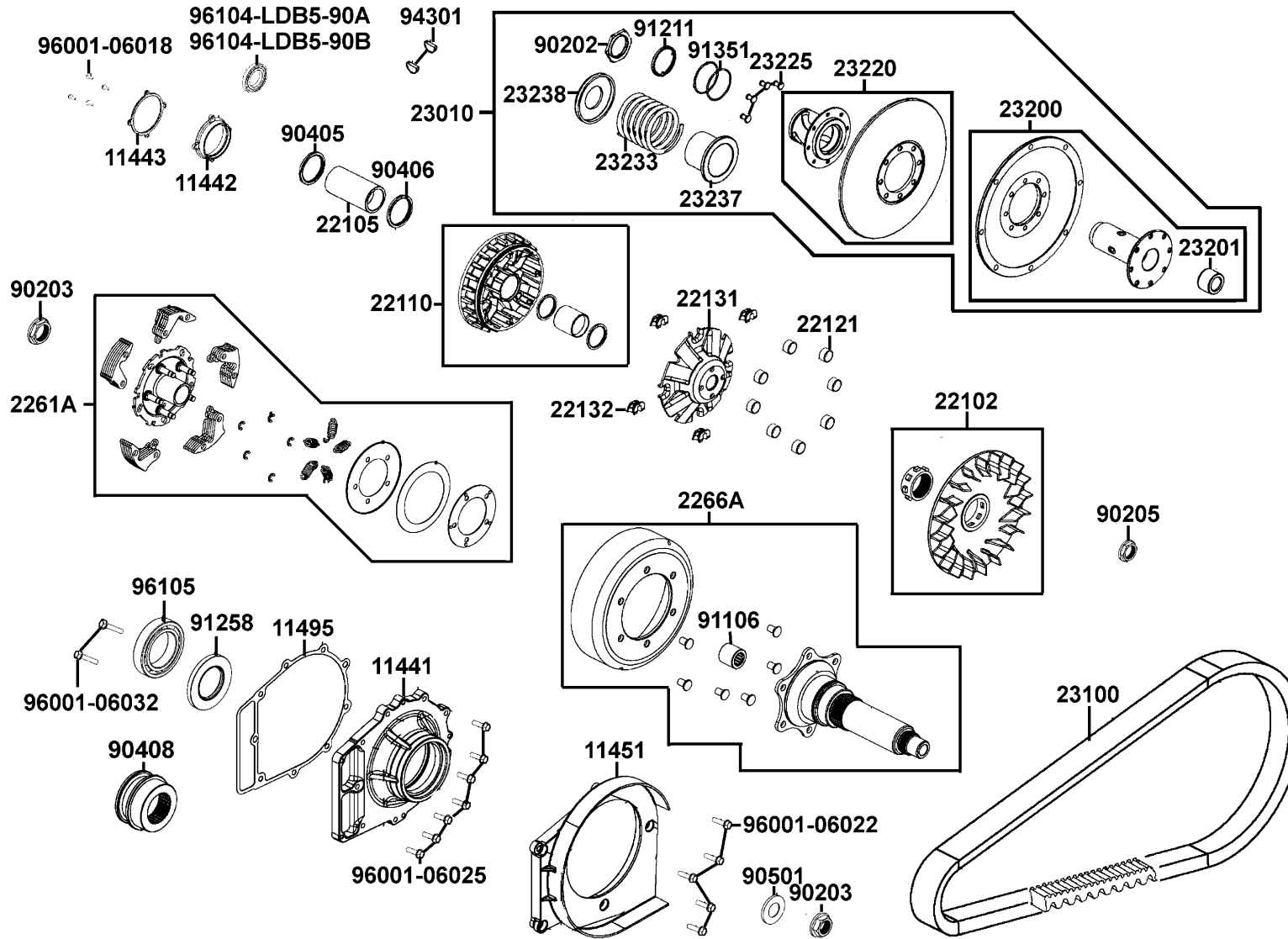


Sales mark	Ref no	Part no	Ver	Description	Reg description	Regd no	E04
	11330	11330-LEE8-E00	1	COVER ASSY R CRANK CASE	右曲軸箱蓋	1	
**	11348	11348-LDB5-E00	2	COVER STARTING	外蓋	1	
	11394	11394-LDB5-E00	2	GASKET COVER	曲軸箱蓋墊片	1	
**	1565A	1565A-PWA1-900	1	GAUGE OIL LEVEL ASSY	量油尺	1	
	16172	16172-LEE8-E00	1	CLIP CABLE	線夾	1	
	17372	17372-LEE8-E00	3	RUBBER PLUG STARTING COVER	外蓋橡皮套	1	
	19200	19200-LEE8-E00	2	WATER PUMP ASSY	水泵組	1	
	19300	19300-LBA2-E00	1	THERMOSTAT ASSY	恆溫器	1	
	19310	19310-LDB5-E00	1	CASE COMP THERMOSTAT	恆溫器底座	1	
	19315	19315-LBA2-E00	2	COVER THERMOSTAT	恆溫器蓋	1	
	19316	19316-LEE8-E00	4	HOSE THERMOSTAT	恆溫器管	1	
	19317	19317-LBA2-E00	1	RING 48.3*2	油封	1	
	19502	19502-LEE8-E00	1	HOSE B WATER	水管 B	1	
	19504	19504-LBA2-E00	3	CLAMP D 16.8	管夾	1	
	19505	19505-LBA2-E00	4	CLAMP WATER HOSE	水管夾	1	
	19507-LBA2	19507-LBA2-E00	0	CLAMP D 27.5	水管夾	1	
	19507-LDB5	19507-LDB5-E00	1	CLAMP D 28	水管夾	1	
	19527	19527-LEE8-E00	2	OIL COOLER HOSE WATER IN	冷卻油管	1	
	28210	28210-LDB5-E00	4	PLATE RACHET	軸承	1	
	28310	28310-LDB5-E00	1	RING OIL PATH	套筒	2	

Sales mark	Ref no	Part no	Ver	Description	Reg description	Regd no	E04
	32412	32412-LEE8-E00	4	CABLE EARTH	接地線	1	
	50244	50244-LEE8-E00	1	BRKT THERMOSTAT	恆溫器支架	1	
**	90084	90084-4H28-001	0	CAP ACG	A.C.G 蓋	1	
	90201	90201-KHR8-75A	0	NUT FLANGE 14MM	螺帽14MM	1	
	90401	90401-KKJ9-001	0	WASHER THRUST 14*28*2	華司 14X28X2	1	
	91257	91257-LDB5-E00	2	OIL SEAL 30*60*7	油封30*60*7	1	
	91301	91301-LDB5-E00	1	O-RING 16MM	O環 16MM	1	
	91303	91303-3G77-001	0	O-RING 13.8*2.5	O環 13.8X2.5	1	
	91307	91307-0E35-001	0	O RING 18*3	O環 18X3	1	
	94301	94301-08140	0	DOWEL PIN 8*14	定位銷 8X14	4	
	94520	94520-47000	0	CIR CLIP IN 47	內夾環	1	
	94591	94591-KFBF-900	2	CLIP 2*70	環夾	1	
	95002	95002-KHE7-900	0	CLIP WATER HOSE	水管夾	2	
	96001-06025	96001-06025-08	0	BOLT FLANGE SH 6*25	螺絲 6*25	5	
	96001-06028	96001-06028-06	0	BOLT FLANGE 6*28	螺絲 6*28	1	
	96001-06032	96001-06032-08	0	BOLT FLANGE SH 6*32	螺栓 6*32	13	
#	96001-06035	96001-06035-08	0	BOLT FLANGE 6*35	螺絲 6*35	1	
	96001-06040	96001-06040-08	0	BOLT FLANGE 6*40	螺絲 6*40	2	
	96100	96100-69060-00	1	BEARING BALL RADIAL 6906	軸承 6906	1	

E05

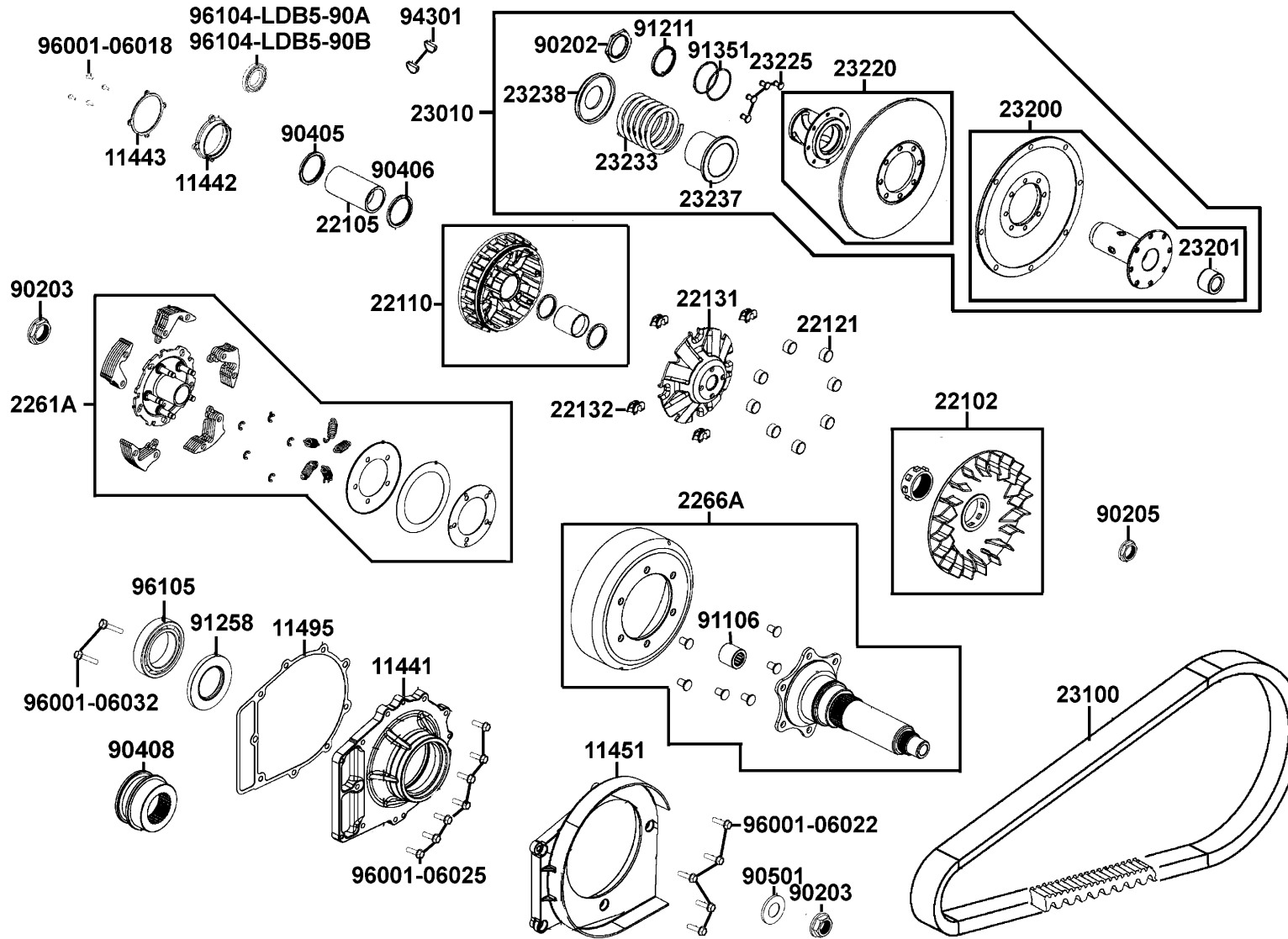
Drive Pulley 傳動皮帶組



Sales mark	Ref no	Part no	Ver	Description	Reg description	Regd no	E05
#	11441	11441-LDB5-910	1	COVER CLUTCH	離合器蓋	1	
#	11442	11442-LDB5-900	3	COVER PRIMARY SHAFT	驅動軸蓋	1	
#	11443	11443-LDB5-900	2	GASKET PRIMARY SHAFT COVER	驅動軸蓋墊片	1	
	11451	11451-LDB5-E00	4	COVER CVT FAN	風扇外蓋	1	
	11495	11495-LDB5-E00	2	GASKET CLUTCH COVER	墊片	1	
	22102	22102-LDB5-E00	3	FACE DRIVE	風扇	1	
	22105	22105-LDB5-E00	3	BOSS DRIVE FACE	襯套	1	
	22110	22110-LDB5-E00	5	FACE COMP MOVABLE DRIVE	滑動式驅動盤	1	
	22121	22121-LDB5-E0A	3	COLLAR COMP WEIGHT	配重滾子	8	
	22131	22131-LDB5-E00	3	PLATE RAMP	斜坡板	1	
#	22132	22132-LDB5-E00	2	PLATE SLIDE	斜板邊件	4	
	2261A	2261A-LDB5-900	2	PLATE ASSY PRIMARY DRIVE	離合器	1	
#	2266A	2266A-LDB5-910	1	PRIMARY DRIVE GEAR COMP	驅動軸組	1	
	23010	23010-LDB5-E00	4	PULLEY ASSY DRIVEN	傳動組	1	
	23100	23100-LDB5-E00	2	BELT DRIVE	傳動皮帶	1	
	23200	23200-LDB5-E00	3	FACE ASSY DRIVEN	皮帶扇葉盤	1	
	23201	23201-LDB5-E00	0	BUSH MOVABLE FACE	軸承	1	
	23220	23220-LDB5-E00	2	FACE COMP MOVABLE DRIVE	扇葉盤組	1	
	23225	23225-LDB5-E00	0	PIN ROLLER GUIDE	插銷	4	
	23233	23233-LDB5-E00	1	SPG DRIVEN FACE	彈簧	1	

E05

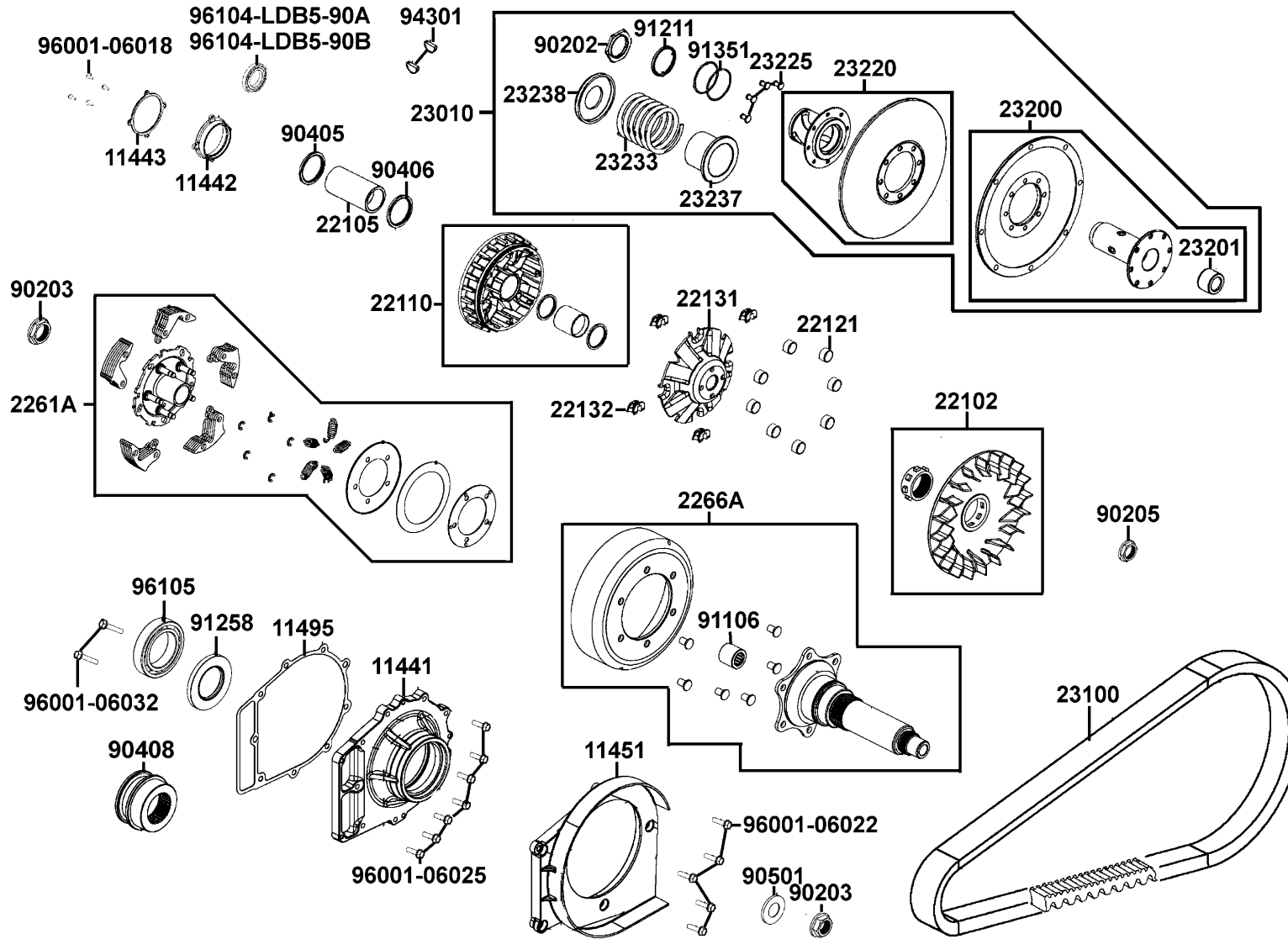
Drive Pulley 傳動皮帶組



Sales mark	Ref no	Part no	Ver	Description	Reg description	Regd no	E05
	23237	23237-LDB5-E00	1	COLLAR SEAL	套筒	1	
	23238	23238-LDB5-E00	1	COLLAR SPG	套筒	1	
	90202	90202-LDB5-E00	1	NUT SPECIAL 36MM	螺帽 36MM	1	
	90203	90203-LDB5-E00	4	NUT FLANGE 20MM	螺帽 20MM	2	
	90205	90205-LDB5-E00	2	NUT FLANGE 16MM	螺帽 16MM	1	
	90405	90405-LDB5-E00	6	WASHER 30.2*45*5	墊片 30.2*45*5	1	
	90406	90406-LDB5-E00	1	WASHER 25*33*4	墊片 25*33*4	1	
	90408	90408-LDB5-900	3	COLLAR PRIMARY DRIVE SHAFT	套筒	1	
	90501	90501-LDB5-E00	2	WASHER THRUST 20MM	墊片 20MM	1	
	91106	91106-LDB5-E00	1	BRG NEEDLE 14*22*20	滾針軸承	1	
	91211	91211-LDB5-E00	1	SEAL DRIVEN FACE 40.2*47*4	墊片 40.2*47*4	2	
#	91258	91258-LDB5-900	1	OIL SEAL 56.5*80*7	油封	1	
	91351	91351-LDB5-E00	1	O-RING PINION CAP	O環	2	
	94301	94301-08140	0	DOWEL PIN 8*14	定位銷 8X14	2	
#	96001-06018	96001-06018-08	0	BOLT FLANGE SH 6*18	螺絲 6X18	4	
	96001-06022	96001-06022-08	0	BOLT FLANGE SH 6*22	螺柱	5	
	96001-06025	96001-06025-08	0	BOLT FLANGE SH 6*25	螺絲 6*25	7	
	96001-06032	96001-06032-08	0	BOLT FLANGE SH 6*32	螺柱 6*32	2	
	96104-LDB5-90A	96104-LDB5-90A	1	BEARING BALL RADIAL 16008	軸承 16008	1	
	96104-LDB5-90B	96104-LDB5-90B	1	BEARING BALL RADIAL 16008	軸承 16008	1	

E05

Drive Pulley 傳動皮帶組



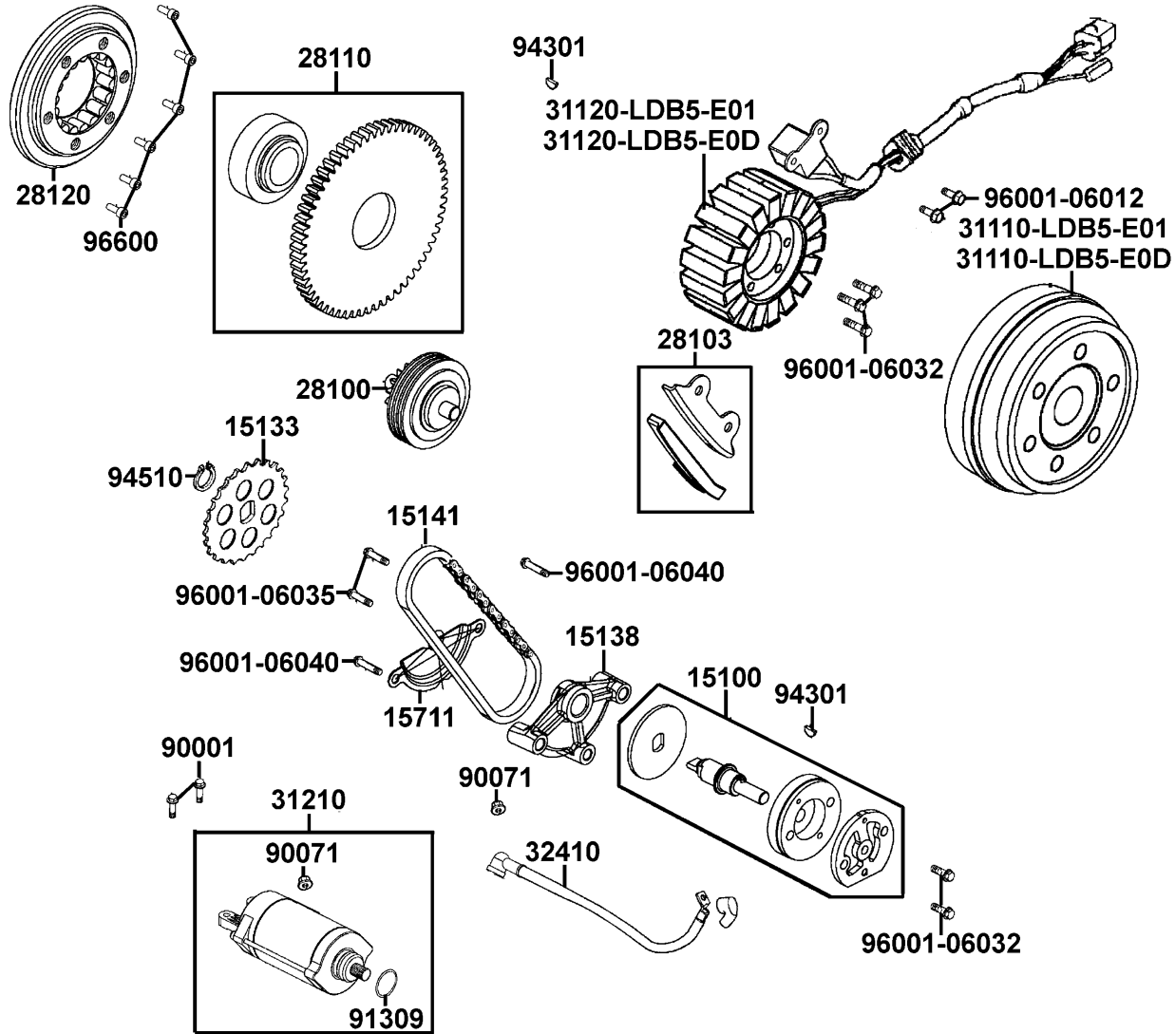
Sales mark	Ref no	Part no	Ver	Description	Reg description	Regd no	E05
	96105	96105-LDB5-90C	0	BRG BALL RADIAL 68150	軸承	1	

E06

Starting Motor

Generator

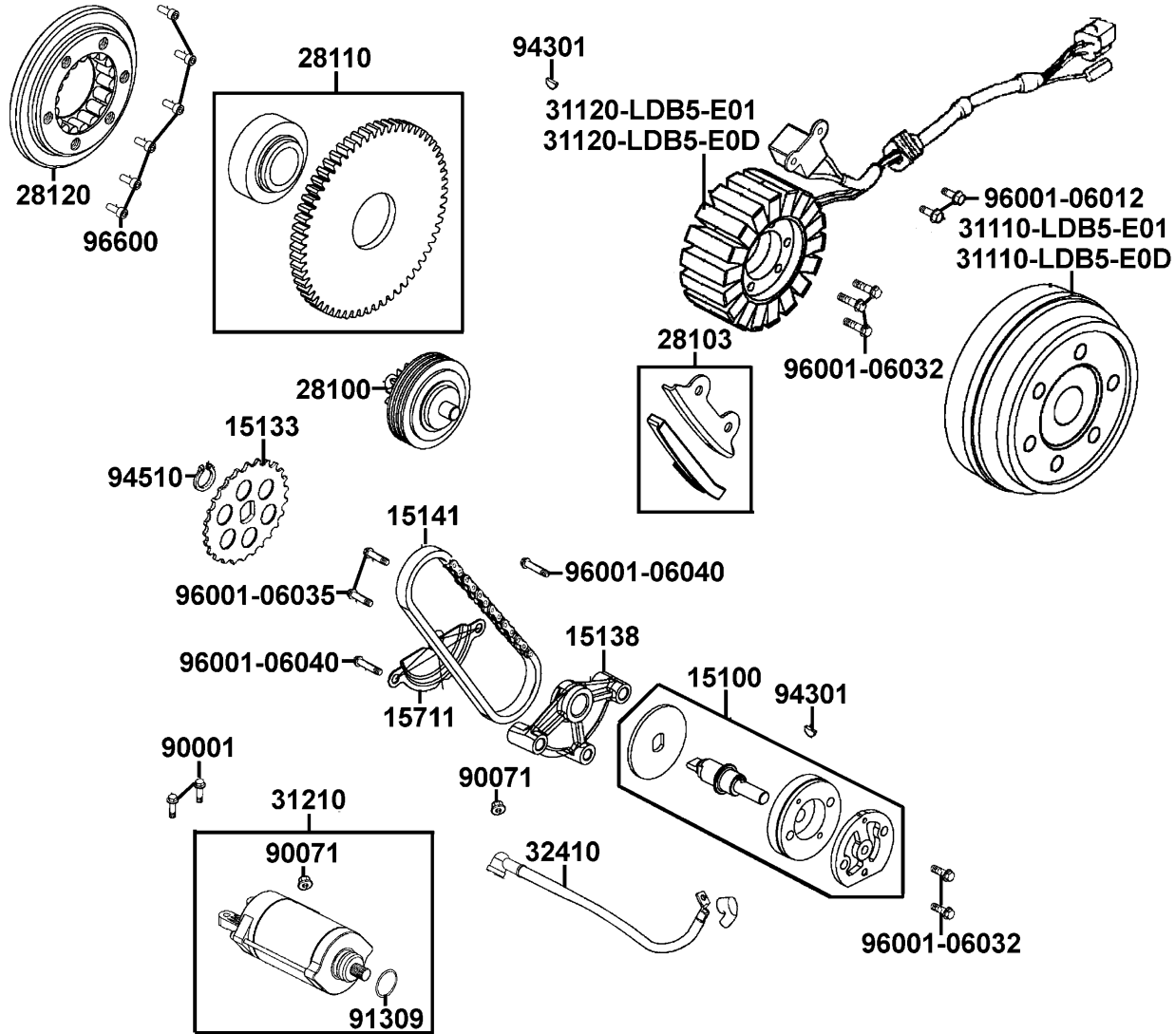
起動馬達 發電機



Sales mark	Ref no	Part no	Ver	Description	Reg description	Regd no	E06
	15100	15100-LDB5-E00	3	PUMP ASSY OIL	油泵	1	
	15133	15133-LBA2-E00	1	SPROCKET OIL PUMP DRIVE	油泵驅動齒輪	1	
	15138	15138-LDB5-E00	4	HOLDER OIL PUMP SHAFT	油泵軸	1	
	15141	15141-LDB5-E00	1	CHAIN OIL PUMP	油泵驅動鏈條	1	
	15711	15711-LDB5-E00	1	SEPARATER OIL	機油分隔板	1	
	28100	28100-LDB5-E00	2	SHAFT COMP REDUCTION	起動減速齒輪軸	1	
	28103	28103-LDB5-E00	2	GUIDE OIL PUMP CHAIN	護條	1	
	28110	28110-LDB5-E00	1	GEAR COMP STARTING CLUTCH	起動齒輪	1	
	28120	28120-KKE5-E00	1	ONE WAY CLUTCH	離合器外套	1	
	31110-LDB5-E01	31110-LDB5-E01	2	FLYWHEEL COMP	飛輪	1	
	31110-LDB5-E0D	31110-LDB5-E0D	1	FLYWHEEL COMP	飛輪	1	
	31120-LDB5-E01	31120-LDB5-E01	5	STASOR COMP	轉子線圈	1	
	31120-LDB5-E0D	31120-LDB5-E0D	5	STASOR COMP	轉子線圈	1	
	31210	31210-LEE8-E00	1	MOTOR UNIT STARTER	起動馬達	1	
	32410	32410-LEE8-E00	3	CABLE STARTER MOTOR	起動馬達配線	1	
	90001	90001-GBHB-661	0	BOLT FLANGE SH 6*22	螺絲 6*22	2	
	90071	90071-MLB0-001	0	NUT WASH 6MM	螺帽 6MM	2	
	91309	91309-4E25-004	0	O-RING 24.4*3.1	O環 24.4X3.1	1	
	92101	92101-05012-0H	0	BOLT HEX 5*12	螺絲 5*12	2	
	94301	94301-08140	0	DOWEL PIN 8*14	定位銷 8X14	2	

E06

Starting Motor Generator 起動馬達 發電機



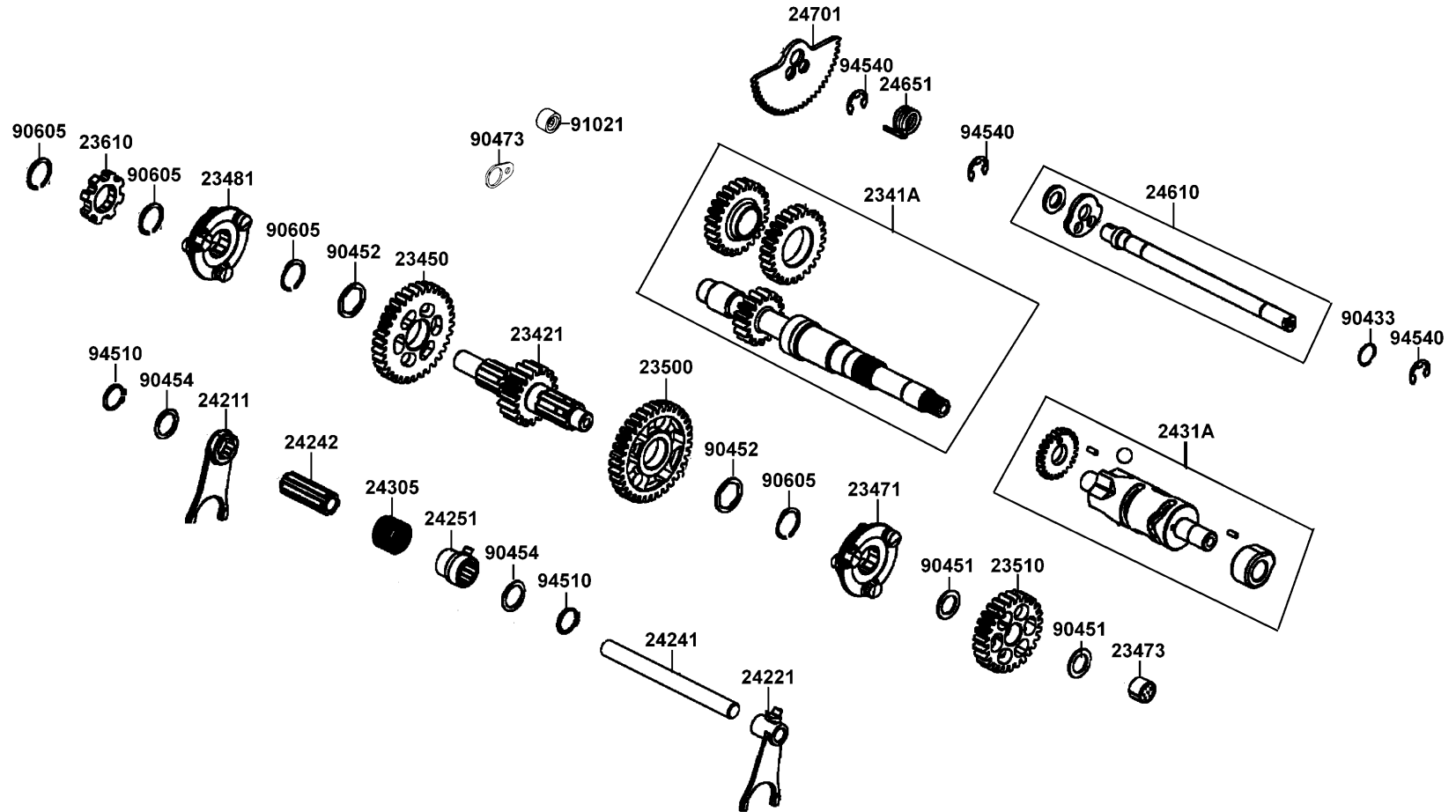
Sales mark	Ref no	Part no	Ver	Description	Reg description	Regd no	E06
	94510	94510-10000	0	CIR CLIP EX 10MM	外環夾 10MM	1	
#	96001-06012	96001-06012-08	0	BOLT FLANGE 6*12	螺絲 6*12	2	
	96001-06032	96001-06032-08	0	BOLT FLANGE SH 6*32	螺柱 6*32	5	
#	96001-06035	96001-06035-08	0	BOLT FLANGE 6*35	螺絲 6*35	2	
	96001-06040	96001-06040-08	0	BOLT FLANGE 6*40	螺絲 6*40	2	
	96600	96600-08015-10	1	SOCKET BOLT 8*15	螺絲 8X15	6	

E07

Shaft Assy Drive

Spindle Assy Drum Shift

傳動軸組



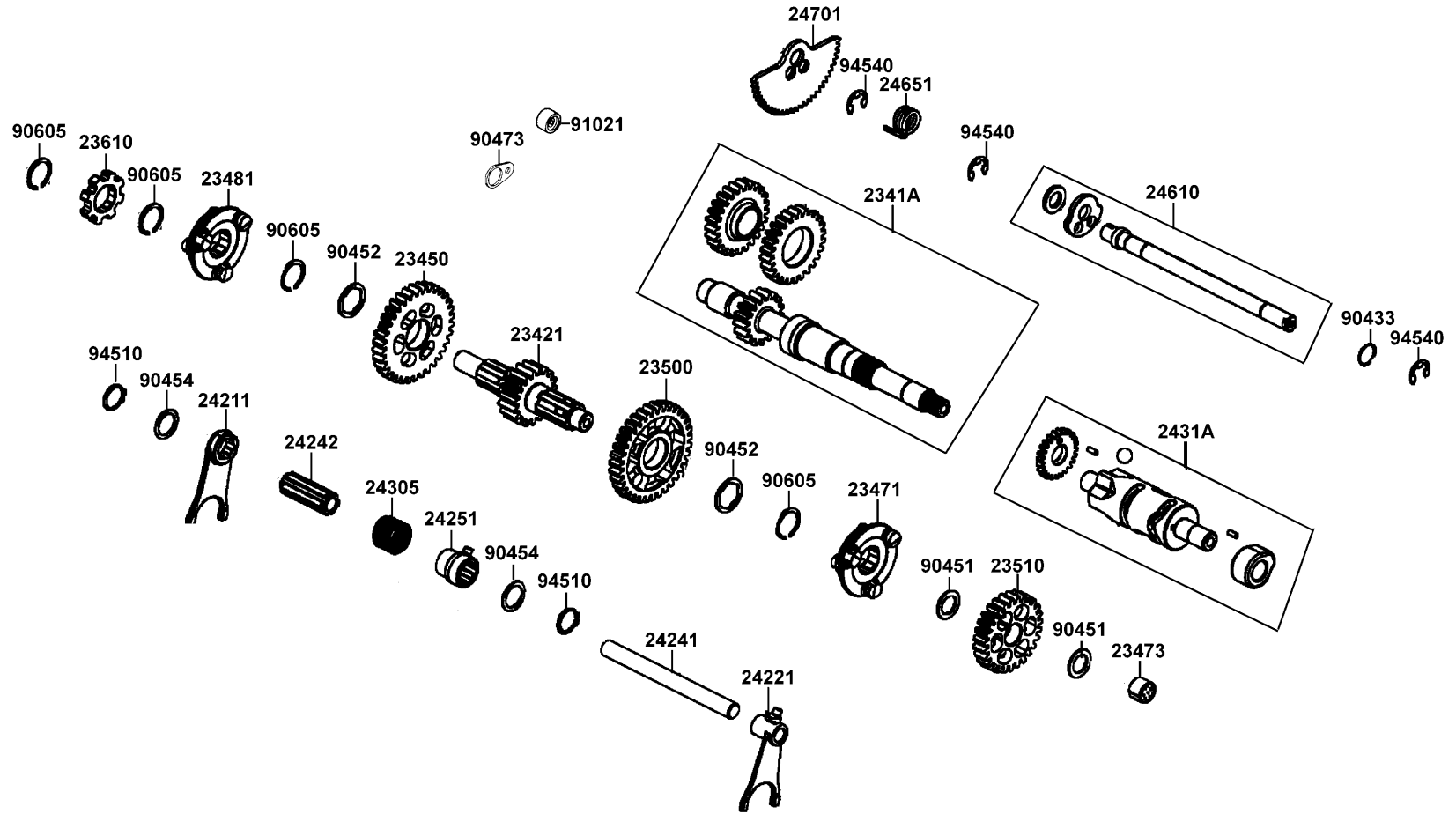
Sales mark	Ref no	Part no	Ver	Description	Reg description	Regd no	E07
	2341A	2341A-LDB5-E00	6	SHAFT ASSY DRIVE	驅動軸組	1	
	23421	23421-LEE8-E00	1	SHAFT COUNTER 19T	驅動軸	1	
	23450	23450-LDB5-E00	2	GEAR COMP BACKWARD 2ND	齒輪	1	
	23471	23471-LDB5-E00	3	SHIFT FORWARD & LOWER	驅動軸	1	
	23473	23473-LDB5-E00	2	COLLAR 20*17*14	套筒 20*17*14	1	
	23481	23481-LDB5-E00	3	SHIFT BACKWARD	倒檔軸	1	
	23500	23500-LDB5-E00	2	GEAR COMP LOWER DRIVEN 35T	齒輪	1	
	23510	23510-LDB5-E00	4	GEAR FORWARD DRIVEN	齒輪	1	
	23610	23610-LDB5-E00	1	STOPPER PARK	齒輪	1	
	24211	24211-LDB5-E00	4	FORK RIGHT GEAR SHIFT	右驅動軸叉	1	
	24221	24221-LDB5-E00	2	FORK LEFT GEAR SHIFT	左驅動軸	1	
	24241	24241-LDB5-E00	1	SHAFT GEAR SHIFT FORK	驅動軸	1	
	24242	24242-LDB5-E00	4	COLLAR RIGHT FORK	套筒	1	
	24251	24251-LDB5-E00	4	GUIDE RIGHT FORK	右驅動軸套筒	1	
	24305	24305-LDB5-E00	2	SPRING RIGHT FORK	彈簧	1	
	2431A	2431A-LDB5-E00	4	DRUM ASSY GEAR SHIFT	轉動鼓輪	1	
	24610	24610-LDB5-E00	4	SPINDLE COMP DRUM SHIFT	驅動軸	1	
	24651	24651-LDB5-E00	4	SPRING GEAR SHIFT RETURN	彈簧	1	
	24701	24701-LDB5-E00	2	GEAR CHANGE HNDL	齒輪	1	
	90433	90433-KAE1-001	0	WASHER 14MM	華司 14MM	1	

E07

Shaft Assy Drive

Spindle Assy Drum Shift

傳動軸組

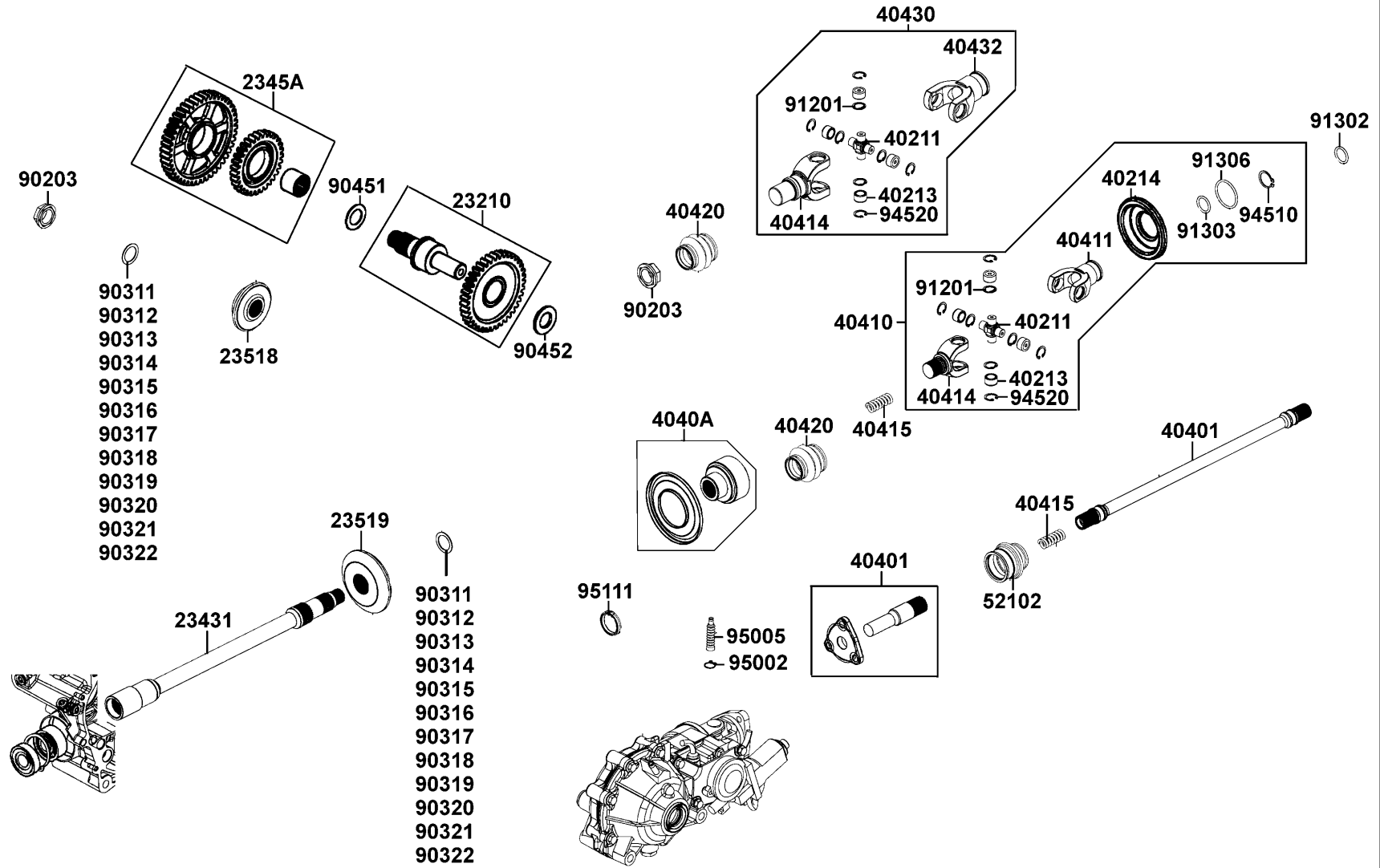


Sales mark	Ref no	Part no	Ver	Description	Reg description	Regd no	E07
	90451	90451-LDB5-E00	1	WASHER THRUST 17MM	華司 17MM	2	
	90452	90452-KED9-900	2	WASHER 25*31*1.5	墊圈 25*31*1.5	2	
	90454	90454-1G07-001	0	WASHER THRUST 20MM B	華司 20MM	2	
	90473	90473-LEE8-E00	1	WASHER SPEED SENSOR	墊圈	1	
	90605	90605-KED9-900	2	SET RING 28MM	環組 28MM	4	
	91021	91021-LDB5-E00	2	BEARING ONE WAY	單向軸承	1	
	94510	94510-25000	0	CIR CLIP EXTERNAL 25	外環夾 25MM	2	
	94540	94540-12028	0	E RING 12	E型環	3	

E08

Universal Joint Assy Eng

萬向接頭組

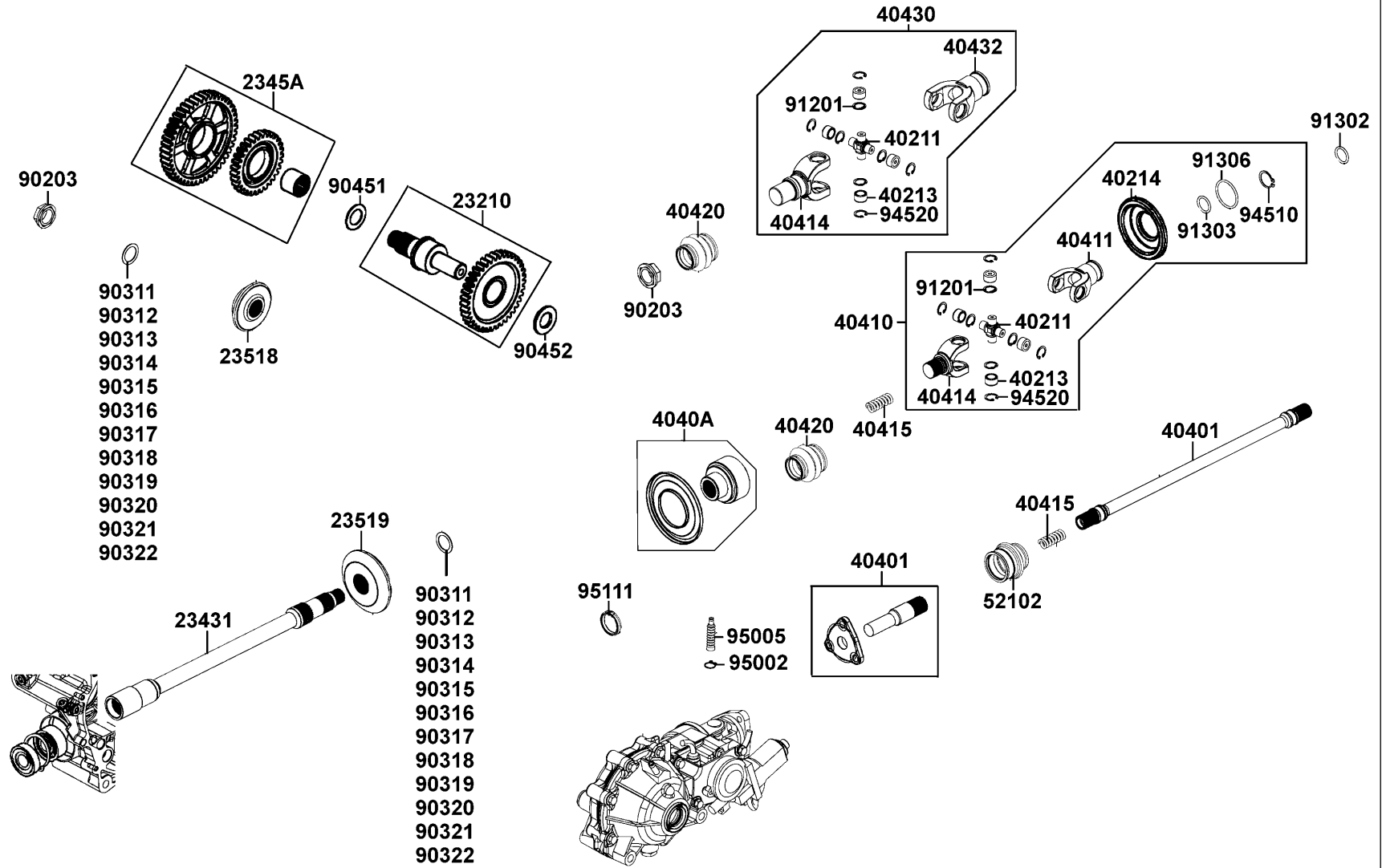


Sales mark	Ref no	Part no	Ver	Description	Reg description	Regd no	E08
	23210	23210-LEE8-E00	2	SHAFT COMP MAIN	主傳動軸	1	
	23431	23431-LDB5-E00	4	SHAFT FINAL	傳動軸	1	
	2345A	2345A-LDB5-E00	4	GEAR COMP BACKWARD	齒輪	1	
	23518	23518-LDB5-E00	2	BEVEL GEAR DRIVE	斜齒輪	1	
	23519	23519-LDB5-E00	2	BEVEL GEAR DRIVE	斜齒輪	1	
	40211	40211-LCD9-E00	3	SPIDER YORK	十字管	2	
	40213	40213-LCD9-E00	2	BRG YORK 12*18*16	軸承 12*18*16	8	
	40214	40214-LEE8-E00	2	COUPLER UNIVERSAL JOINT	保護套	1	
	40401	40401-LEE8-E00	3	SHAFT FRONT PROPELLER	傳動軸	1	
	4040A	4040A-LDB5-E00	6	COUPLING RR PROPELLER	傳動軸套	1	
	40410	40410-LEE8-E00	3	UNIVERSAL JOINT ASSY ENG	約克萬向接頭	1	
	40411	40411-LDB5-E00	1	YORK A FR U JOINT	前約克萬向接頭A	1	
	40414	40414-LDB5-E00	3	YORK B FR U JOINT	前約克萬向接頭B	2	
	40415	40415-LDB5-E00	1	SPRING FR PROPELLER SHAFT	彈簧	2	
	40420	40420-LDB5-E00	1	BOOT FRONT PROPELLER	前保護套	2	
	40430	40430-LEE8-E00	1	UNIVERSAL JOINT ASSY DIFF	約克萬向接頭	1	
	40432	40432-LEE8-E00	2	YORK A DIFF U JOINT	約克萬向差速接頭A	1	
	52102	52102-LEE8-E00	1	BOOT COUPLER	保護套	1	
	90203	90203-LDB5-E00	4	NUT FLANGE 20MM	螺帽 20MM	2	
	90311	90311-LDB5-E00	1	SHIM FLNAL BEVEL GEAR A (0.6)	墊片A	2	

E08

Universal Joint Assy Eng

萬向接頭組

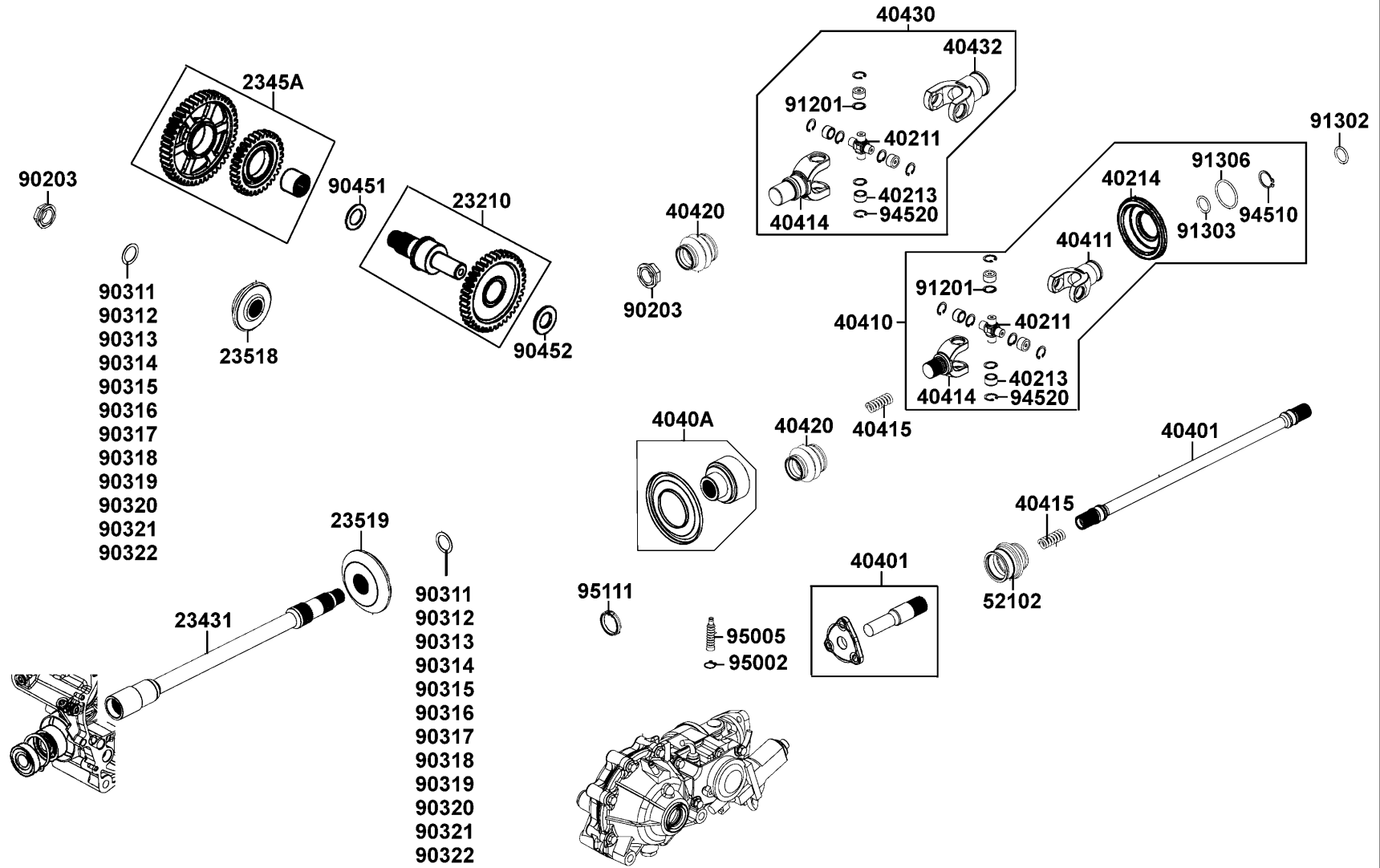


Sales mark	Ref no	Part no	Ver	Description	Reg description	Regd no	E08
	90312	90312-LDB5-E00	1	SHIM FLNAL BEVEL GEAR B (0.65)	墊片B	2	
	90313	90313-LDB5-E00	1	SHIM FLNAL BEVEL GEAR C (0.7)	墊片C	2	
	90314	90314-LDB5-E00	1	SHIM FLNAL BEVEL GEAR D (0.75)	墊片D	2	
	90315	90315-LDB5-E00	1	SHIM FLNAL BEVEL GEAR E (0.8)	墊片E	2	
	90316	90316-LDB5-E00	1	SHIM FLNAL BEVEL GEAR F (0.85)	墊片F	2	
	90317	90317-LDB5-E00	1	SHIM FLNAL BEVEL GEAR G (0.9)	墊片G	2	
	90318	90318-LDB5-E00	1	SHIM FLNAL BEVEL GEAR H (0.95)	墊片H	2	
	90319	90319-LDB5-E00	1	SHIM FLNAL BEVEL GEAR I (1.0)	墊片I	2	
	90320	90320-LDB5-E00	1	SHIM FLNAL BEVEL GEAR J (1.05)	墊片J	2	
	90321	90321-LDB5-E00	1	SHIM FLNAL BEVEL GEAR K (1.1)	墊片K	2	
	90322	90322-LDB5-E00	1	SHIM FLNAL BEVEL GEAR L (1.15)	墊片L	2	
	90451	90451-LBA7-900	1	WASHER THRUST 20MM	華司 20MM	1	
	90452	90452-LDB5-E00	1	WASHER THRUST 20*36*3	墊片 20*36*3	1	
	91201	91201-LCD9-E00	2	OIL SEAL 13*17.5*4.5	油封 13*17.5*4.5	8	
	91302	91302-LDB5-E00	2	O-RING 22MM	O環 22MM	1	
	91303	91303-LDB5-E00	1	O-RING 22MM	O環 22MM	1	
	91306	91306-LDB5-E00	1	O-RING 41MM	O環 41MM	1	
	94510	94510-25000	0	CIR CLIP EXTERNAL 25	外環夾 25MM	1	
	94520	94520-19000	2	CIR CLIP IN 19	夾環	8	
	95002	95002-41050-00	0	CLIP D10.5 TUBE	管夾	1	

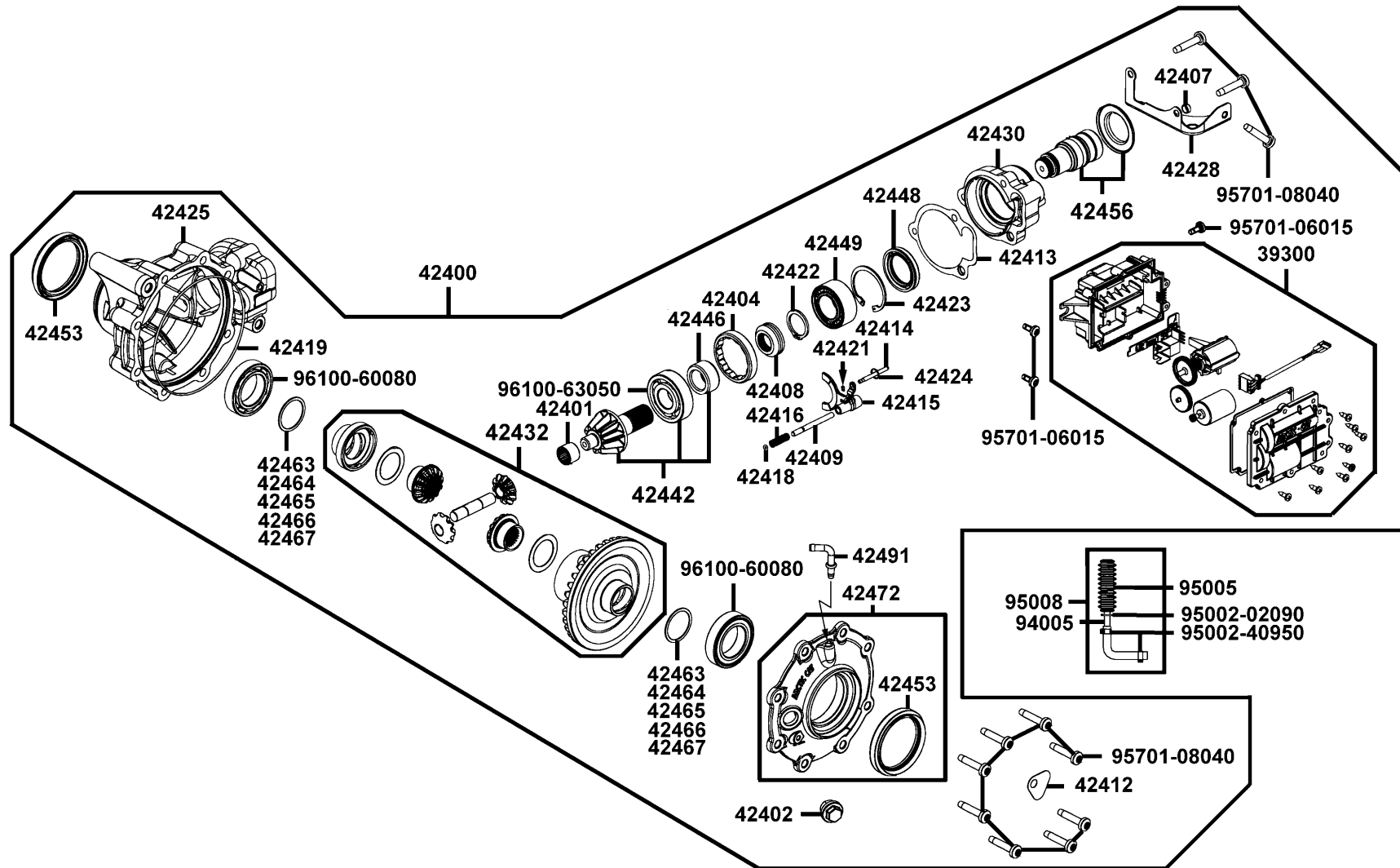
E08

Universal Joint Assy Eng

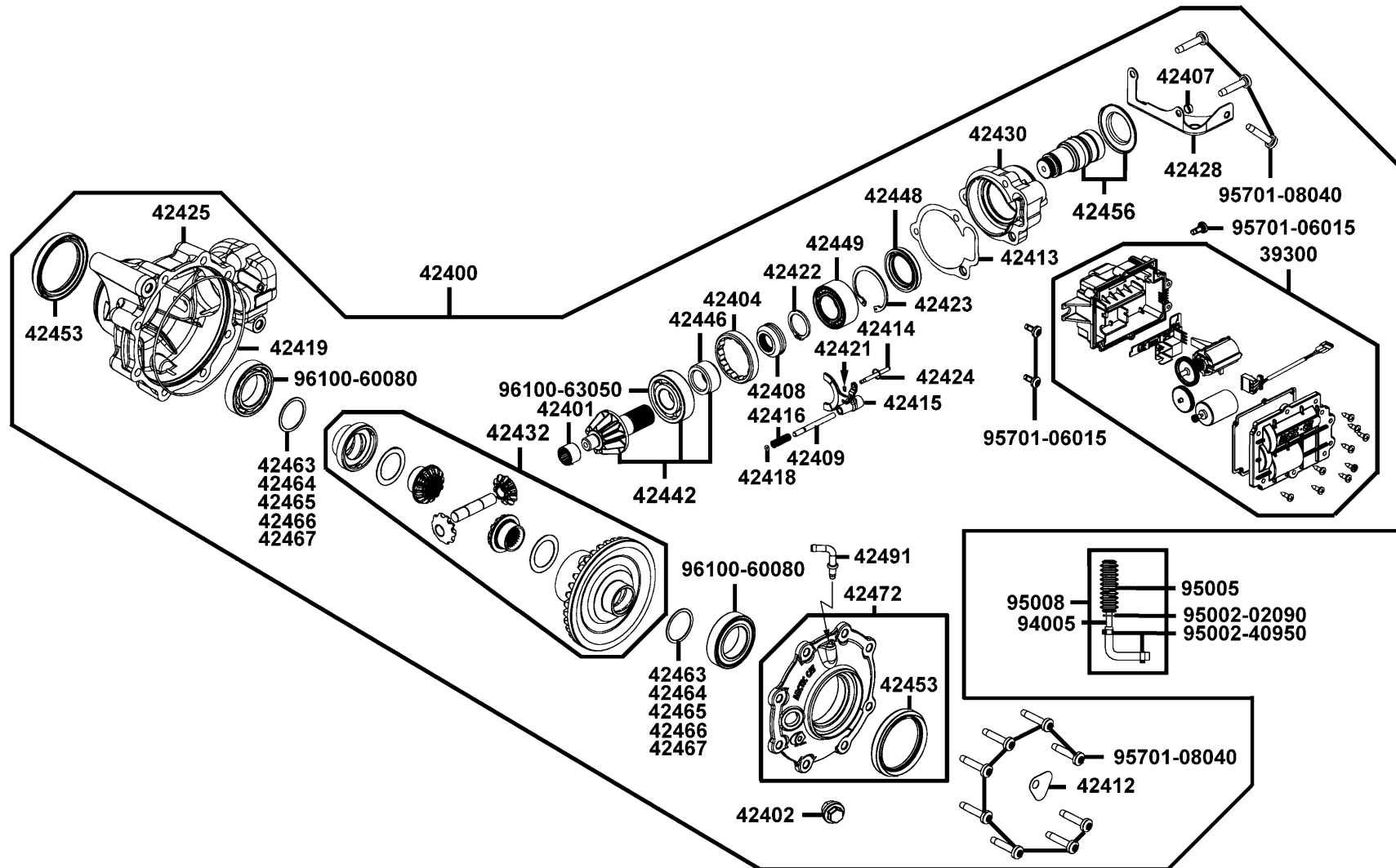
萬向接頭組



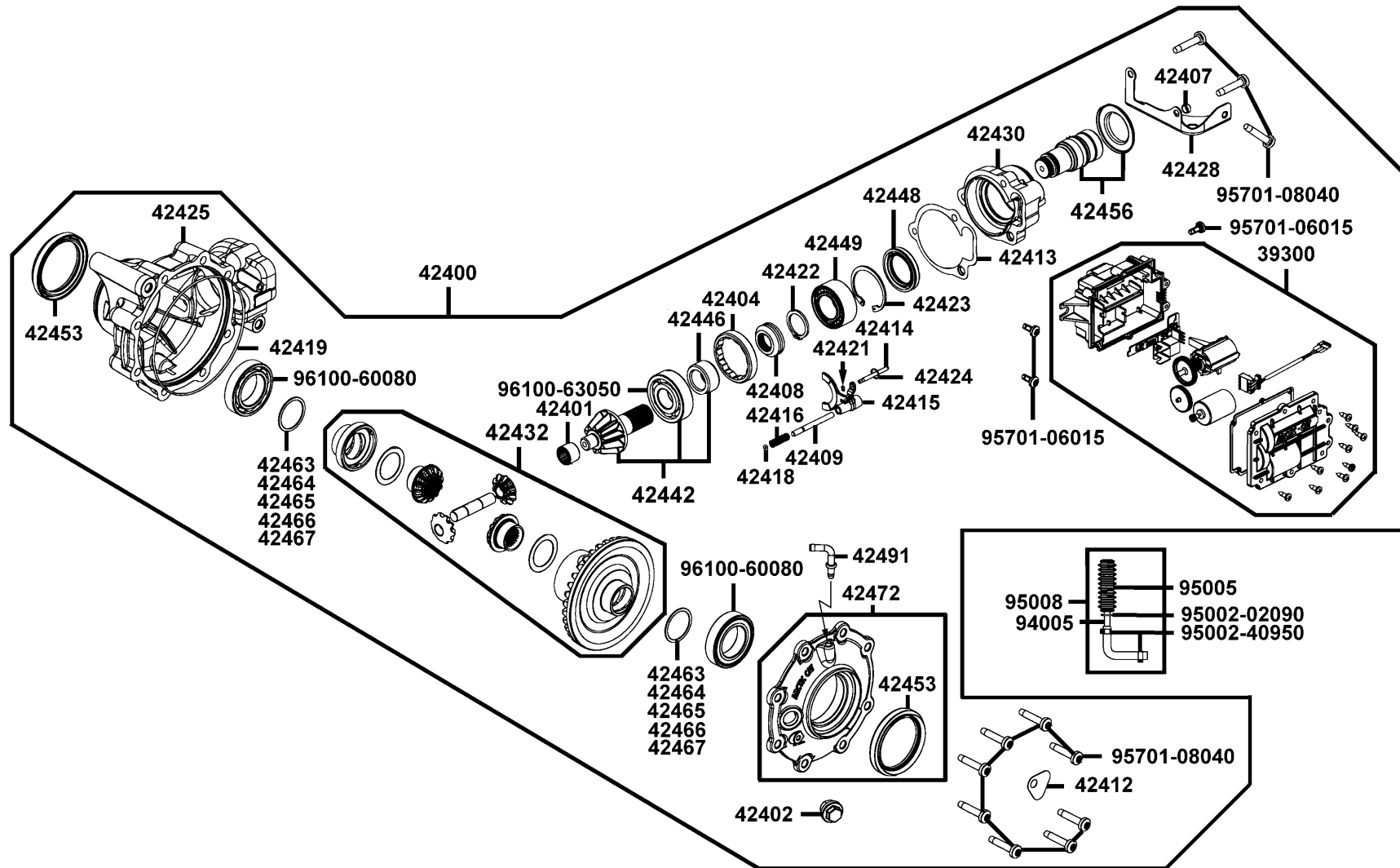
Sales mark	Ref no	Part no	Ver	Description	Reg description	Regd no	E08
	95005	95005-PWB1-900	1	BREATH TUBE RR GEAR ASSY	後齒輪組通氣管	1	
	95111	95111-PWB1-900	1	CLAMP BOOT	管夾	1	



Sales mark	Ref no	Part no	Ver	Description	Reg description	Regd no	E09
	39300	39300-LEE8-900	0	2X 4X ACTUATOR ASM	促動器	1	
	42400	42400-LEE8-900	4	GEARCASE FRONT ASSEMBLY	前齒輪箱組	1	
	42401	42401-PWB1-900	1	BEARING NEEDLE(16NQ2316)	滾針軸承	1	
	42402	42402-PWB1-900	1	PLUG FULL	栓塞	1	
	42404	42404-PWB1-900	1	COLLAR LOCK M64X1.5RH	右套筒鎖 M64*1.5	1	
	42407	42407-PWB1-900	1	PIN DOWEL	定位銷	1	
	42408	42408-PWB1-900	1	COUPLE DRIVE	驅動連接器	1	
	42409	42409-PWB1-900	1	SHAFT SHUTTLE	梭子柄	1	
	42412	42412-PWB1-900	1	TAG ID-GEARCASE	ID固定板	1	
	42413	42413-PWB1-900	1	GASKET FLANGE	墊片	1	
	42414	42414-PWB1-900	1	SHAFT SELECTOR	撥叉軸	1	
	42415	42415-PWB1-900	1	FORK SELECTOR	撥叉	1	
	42416	42416-PWB1-900	1	SPRING RETURN-4WD	彈簧	1	
	42418	42418-PWB1-900	1	O-RING 3X2MM	O環 3*2MM	1	
	42419	42419-PWB1-900	1	O-RING 150X2MM	O環 150*2MM	1	
	42421	42421-PWB1-900	1	RING RETAINING-EXT 4	環夾	1	
	42422	42422-PWB1-900	1	RING RETAINING ONE	環夾	1	
	42423	42423-PWB1-900	1	RING RETAINING	環夾	1	
	42424	42424-PWB1-900	1	O-RING ACTUATOR	O環	1	
	42425	42425-LEE8-900	2	HOUSING GEARCASE-FRONT MACH	前齒輪箱蓋	1	



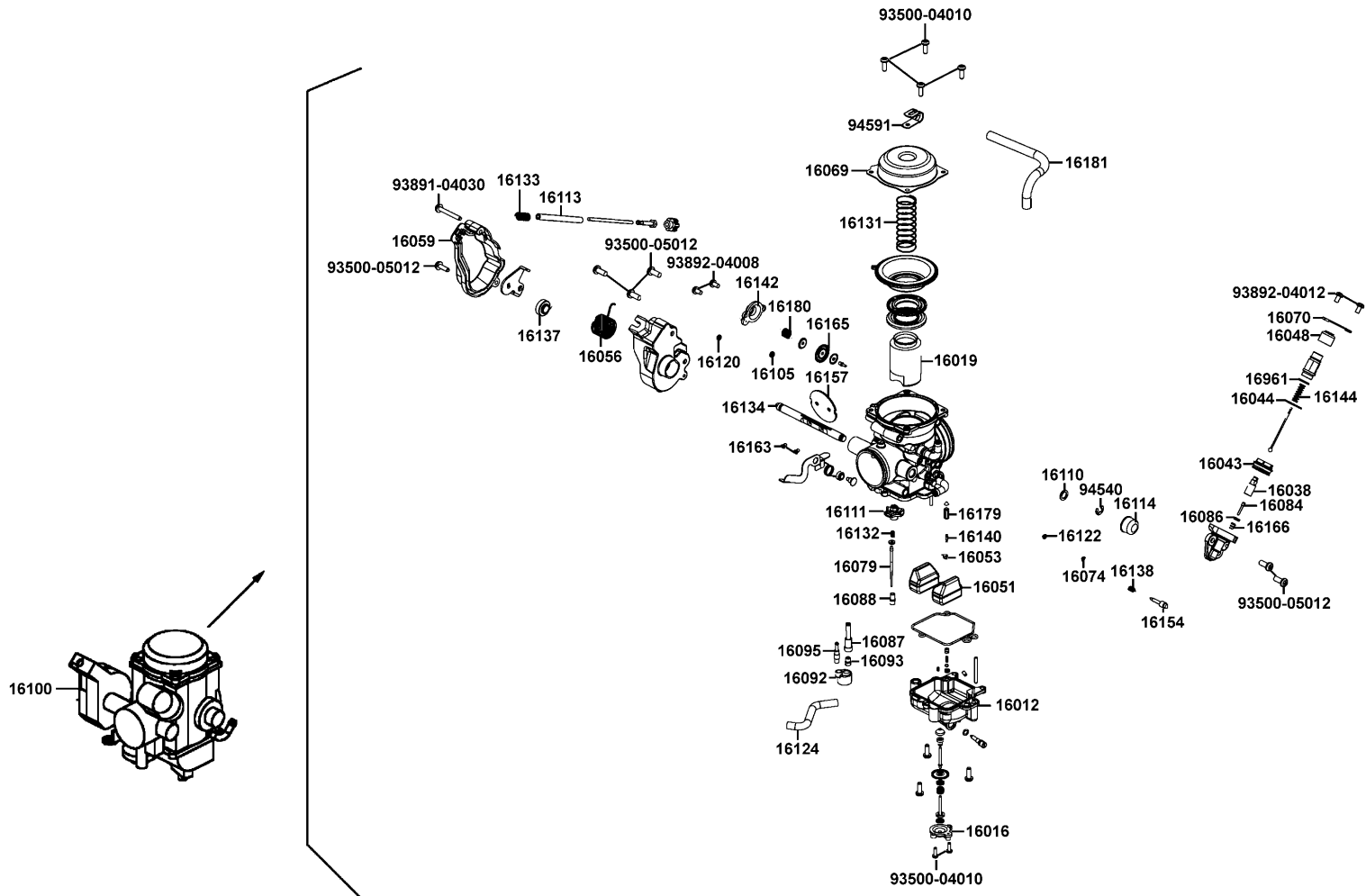
Sales mark	Ref no	Part no	Ver	Description	Reg description	Regd no	E09
	42428	42428-PWB1-900	1	BRACKET ACTUATOR-WELDMENT	托架	1	
	42430	42430-PWB1-900	1	HOUSING PINION-MACH	小齒輪蓋	1	
	42432	42432-LEE8-900	1	GEAR (34 TOOTH 3.1)-WELDMENT	差速齒輪總成	1	
	42442	42442-LEE8-900	3	PINION (10 TOOTH) ASSEMBLY	扇面斜齒輪	1	
	42446	42446-PWB1-900	1	COLLAR RETAINING	套筒	1	
	42448	42448-PWB1-900	1	SEAL	油封	1	
	42449	42449-PWB1-900	1	BEARING BALL-DOUBLE ROW	軸承	1	
	42453	42453-PWB1-900	2	SEAL 67X84X9	油封 67*84*9	2	
	42456	42456-PWB1-900	1	SHAFT INPUT-ASSEMBLY	動力輸入軸	1	
	42463	42463-PWB1-900	2	SHIM 41*49*1.3	填隙片 41*49*1.3	2	
	42464	42464-PWB1-900	2	SHIM 41*49*1.4	填隙片 41*49*1.4	2	
	42465	42465-PWB1-900	2	SHIM 41*49*1.5	填隙片 41*49*1.5	2	
	42466	42466-PWB1-900	2	SHIM 41*49*1.6	填隙片 41*49*1.6	2	
	42467	42467-PWB1-900	2	SHIM 41*49*1.7	填隙片 41*49*1.7	2	
	42472	42472-LEE8-900	1	COVER LOCKER ASSEMBLY	前齒輪箱蓋組	1	
	42491	42491-LEE8-900	1	BARB 90 DEG	通氣管	1	
	94005	94005-PWB1-900	2	HOSE BARB INTAKE MANIFOLD	通氣管接頭	1	
	95002-02090	95002-02090	0	CLIP B9 TUBE	管夾	1	
	95002-40950	95002-40950-08	0	CLAMP D9.5 TUBE	管夾 D9.5	2	
	95005	95005-PWB1-900	1	BREATH TUBE RR GEAR ASSY	後齒輪組通氣管	1	



Sales mark	Ref no	Part no	Ver	Description	Reg description	Regd no	E09
	95008	95008-PWB1-900	4	HOSE VENT-GEARCASE (64mm)	變速箱集氣室	1	
	95701-06015	95701-06015-08	0		[not define]	3	
	95701-08040	95701-08040-08	0	BOLT FLANGE 8*40	螺絲 8*40	11	
	96100-60080	96100-60080-00	0	BRG RADIAL BALL 6008	軸承 6008	2	
	96100-63050	96100-63050-00	0	BRG BALL RADIAL 6305	軸承 6305	1	

E10

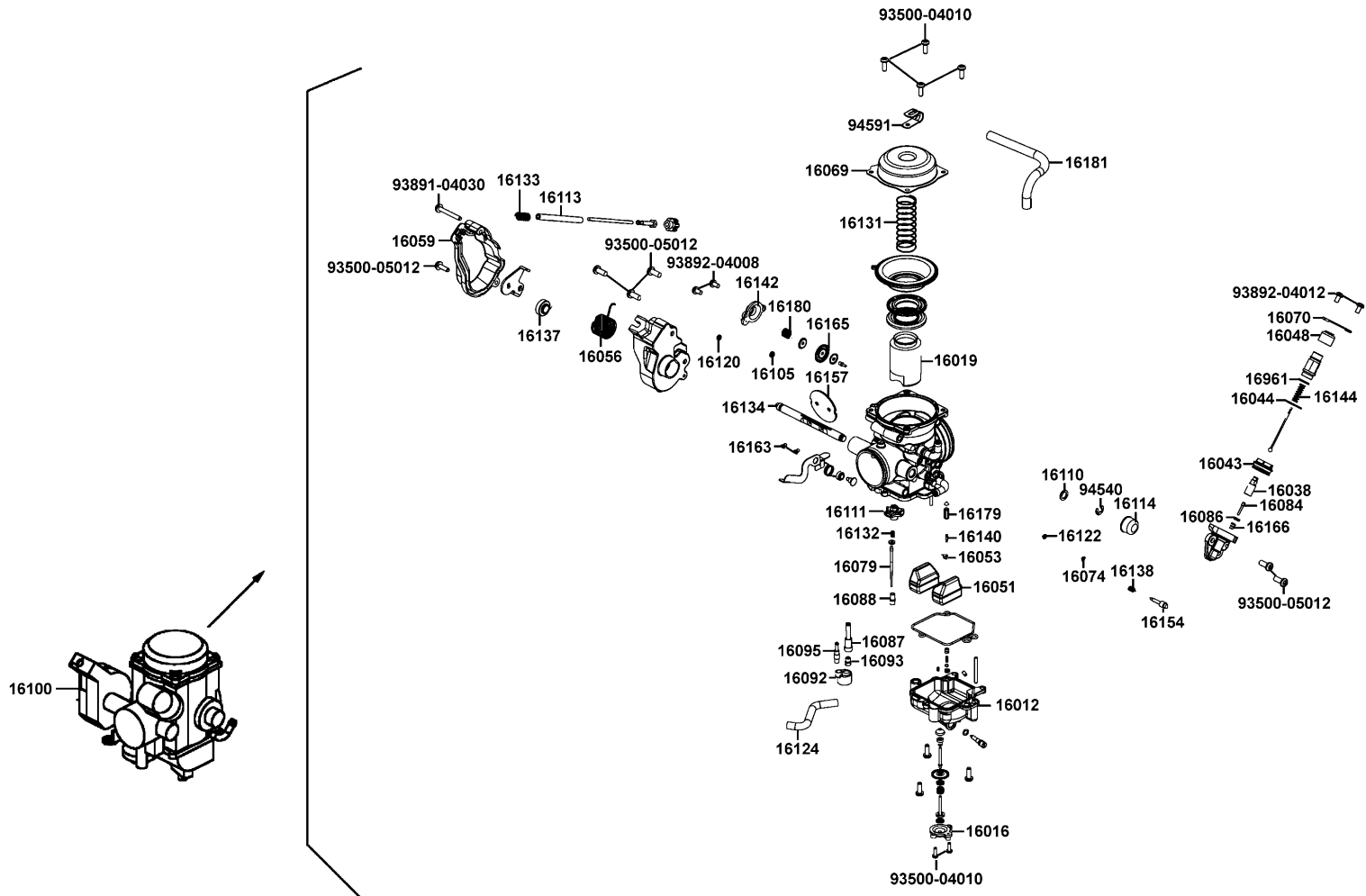
Carburetor 化油器



Sales mark	Ref no	Part no	Ver	Description	Reg description	Regd no	E10
	16012	16012-LDB5-E00	6	CHAMBER COMPL FLOAT	浮筒室座	1	
	16016	16016-KGC5-900	1	COVER ACCP	泵浦閥蓋	1	
	16019	16019-LDB5-E00	3	"VALVE ASSY, PISTON"	活塞門閥組	1	
	16038	16038-LDB5-700	2	"NUT ,CHOKE"	螺帽	1	
	16043	16043-LDB5-700	3	"STAY NUT ,CHOKE"	支架	1	
	16044	16044-KEC3-900	1	SEAL A BY-ST	油封	1	
	16048	16048-LDB5-700	1	"RUBBER ,CHOKE"	橡皮	1	
	16051	16051-KGC5-90A	4	BODY FLOAT	浮筒組	1	
	16053	16053-KEC3-900	0	PIN FLOAT	浮筒閥臂銷	1	
	16056	16056-LDB5-E00	3	SHAFT ASSY THROTTLE	節流閥軸	1	
	16057	16057-LDB5-E00	6	"BODY, LEVER ASSY"	拉桿本體座	1	
**	16059	16059-LDB5-E00	3	"COVER, WIRE STAY"	金屬線抑制座蓋	1	
	16069	16069-LDB5-E00	3	"COVER, PISTON VALVE"	活塞閥蓋	1	
	16070	16070-LDB5-E00	2	STOPPER BY-ST	止動板	1	
	16074	16074-KEC3-900	4	WASHER IDLE SCREW	華司	1	
	16079	16079-LEE8-E00	1	NEEDLE ASSY JET	噴嘴針組	1	
	16084	16084-LDB5-700	0	NEEDLE CHOKE	阻風門活塞油針	1	
	16086	16086-LDB5-700	0	WASHER CHOKE	阻風門活塞華司	1	
	16087	16087-LEE8-E00	1	"TUBE,EMUSSION"	油管	1	
	16088	16088-KEC3-900	1	JET NEEDLE	噴嘴	1	

E10

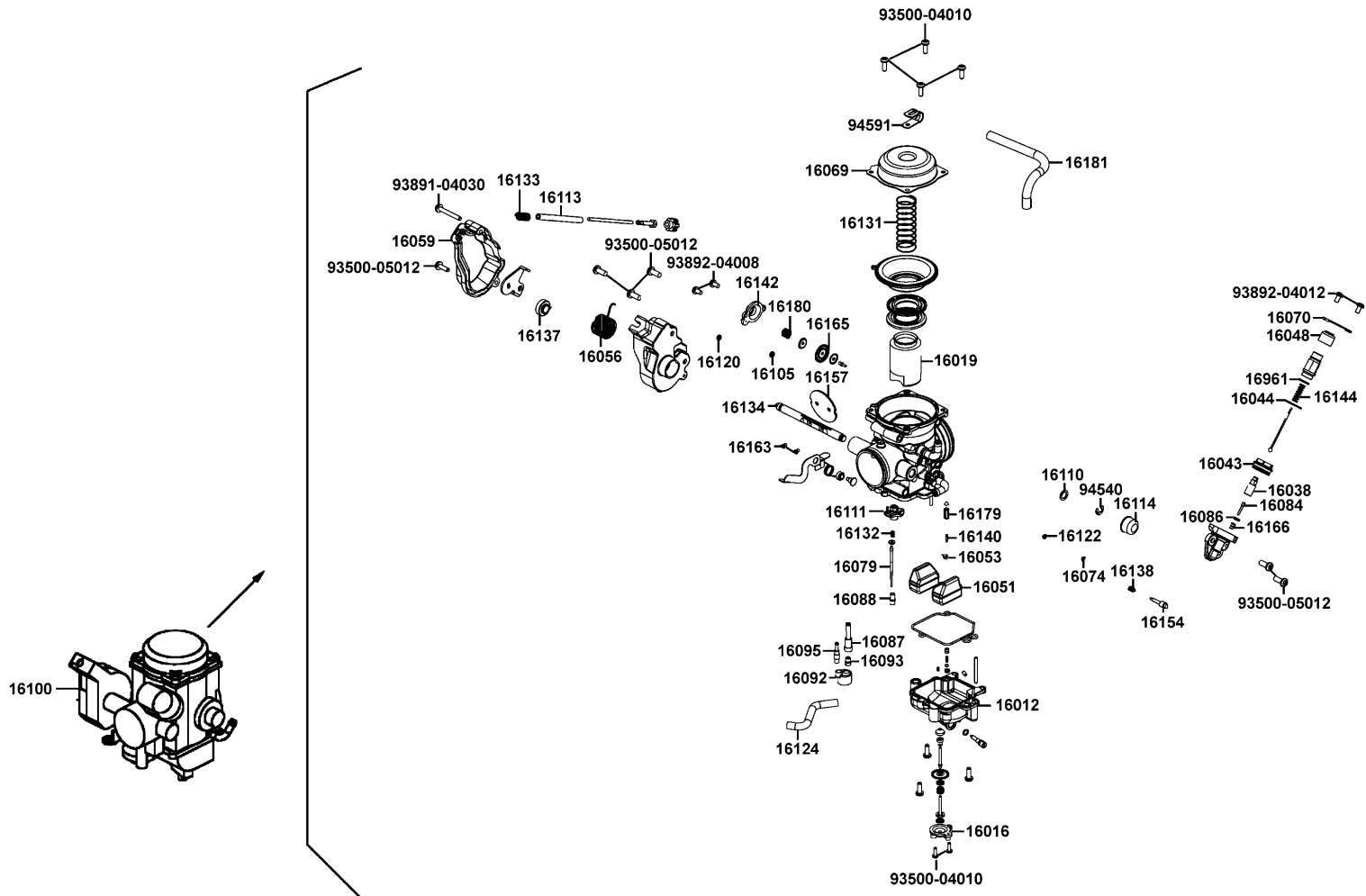
Carburetor 化油器



Sales mark	Ref no	Part no	Ver	Description	Reg description	Regd no	E10
	16092	16092-LDB5-E00	3	"FILTER, JET MAIN"	主噴油嘴過濾器	1	
	16093	16093-KEC3-100	0	JET MAIN #100	主噴油嘴	1	
	16095	16095-KEC3-900	2	JET SLOW	慢速噴油嘴	1	
	16100	16100-LEE8-E00	9	CARBURETOR ASSY	化油器組	1	
	16105	16105-LDB5-E00	2	COLLAR	套筒	1	
	16110	16110-KGC5-900	1	WASHER THROTTLE ASSY	華司	1	
	16111	16111-KHE7-900	1	STOPPER JET NEEDLE SPG	阻板	1	
	16113	16113-LEE8-E00	0	"CABLE,PILOT SCREW"	導管	1	
	16114	16114-KEC3-900	0	SHAFT COVER	軸蓋	1	
	16120	16120-KEC3-900	0	O-RING ACCP	O環	1	
	16122	16122-KEC3-900	0	O-RING IDLE SCREW	O型環	1	
	16124	16124-LEE8-E00	1	TUBE COMPL. 3.5x600	通氣管	1	
	16131	16131-LDB5-E00	5	"SPRING, VACCUM PISTON"	活塞真空彈簧	1	
	16132	16132-KEC3-900	1	SPG JET NEEDLE	油針彈簧	1	
	16133	16133-LDB5-E00	3	"SPG, THROTTLE ADJ SCREW"	調整螺絲彈簧	1	
	16134	16134-LDB5-E00	3	"SPG, THROTTLE SHAFT"	彈簧	1	
	16137	16137-LDB5-E00	2	COLLAR LEVER	軸環	1	
	16138	16138-KEC3-900	1	SPG IDLE ADJ SCREW	彈簧	1	
	16140	16140-KEC3-900	1	CLIP FLOAT VALVE	浮筒閘夾	1	
	16142	16142-KGC5-900	1	COVER ACV	阻風閘蓋	1	

E10

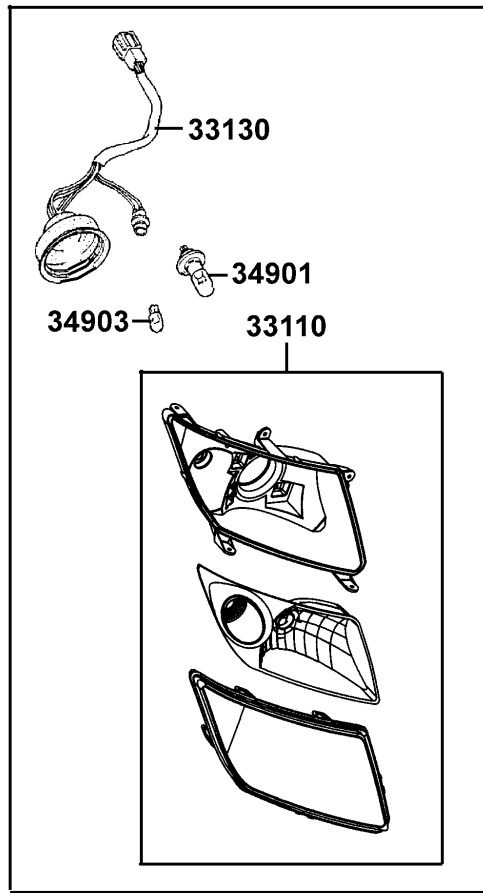
Carburetor 化油器



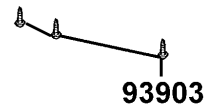
Sales mark	Ref no	Part no	Ver	Description	Reg description	Regd no	E10
	16144	16144-LDB5-700	2	"SPRING ,CHOKE"	彈簧	1	
	16154	16154-LDB5-E00	2	SCREW IDLE ADJUST	調整空轉螺絲	1	
	16157	16157-LDB5-E00	3	THROTTLE VALVE	節流閥	1	
	16163	16163-LEE8-E00	2	"SCREW,THROTTLE VALVE"	螺絲	2	
	16165	16165-KGC5-900	1	DIAPHRAGM	阻風閥組	1	
	16166	16166-LDB5-700	2	DISTON CHOKE	阻風門活塞	1	
	16179	16179-LDB5-E00	1	VALVE ASSY FLOAT	浮筒門閥	1	
	16180	16180-KGC5-900	2	SPG ACV	阻風閥彈簧	1	
	16181	16181-LDB5-E00	2	"TUBE , AIR VENT"	通氣管	1	
	16961	16961-LDB5-700	1	O-RING 10X1	O環	1	
	93500-04010	93500-04010-1A	0	SCREW 4*10	螺絲 4*10	6	
	93500-05012	93500-05012-1A	0	SCREW 5*12	螺絲 5*12	4	
	93891-04012	93891-04012-08	0	SCREW WASH 4*12	螺絲 4X12	1	
	93891-04030	93891-04030-08	0	"SCREW-WASH., 4x30"	螺絲 4*30	1	
	93892-04008	93892-04008-18	0	SCREW WASHER	螺絲 4*8	1	
	93892-04012	93892-04012-08	0	SCREW WASHER 4*12	螺絲 4*12	2	
	94540	94540-50029	0	E CLIP SHAFT	E 型夾子	1	
	94591	94591-25000	0	CLIP BIND	環夾	1	

F01

Head Light 前燈



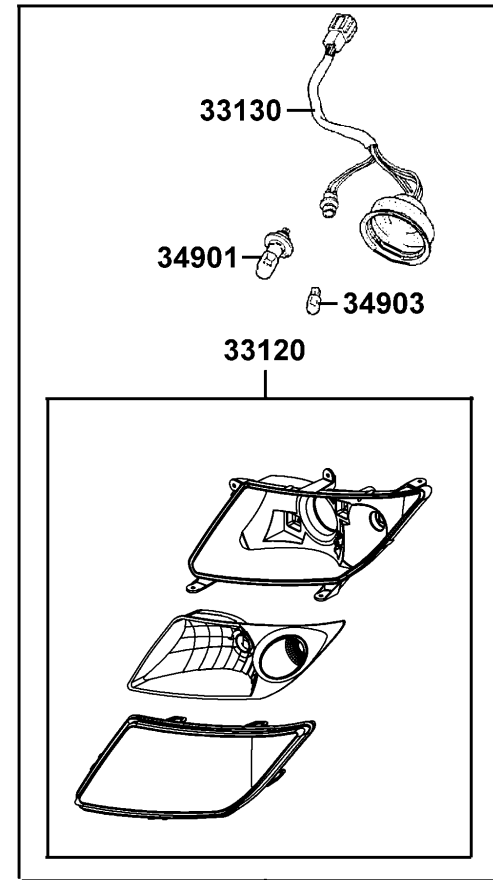
33100



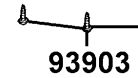
93903



90302

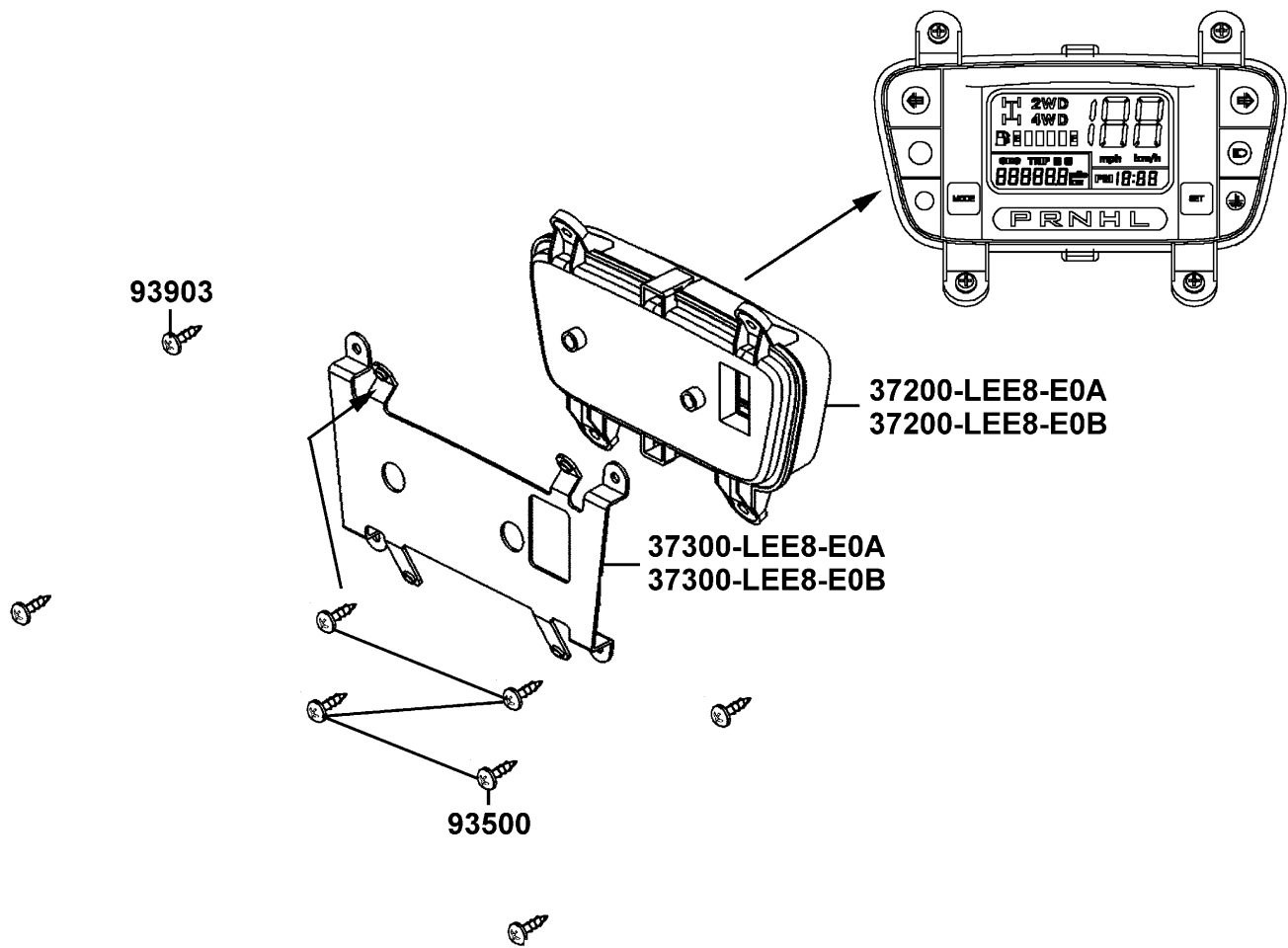


33150



93903

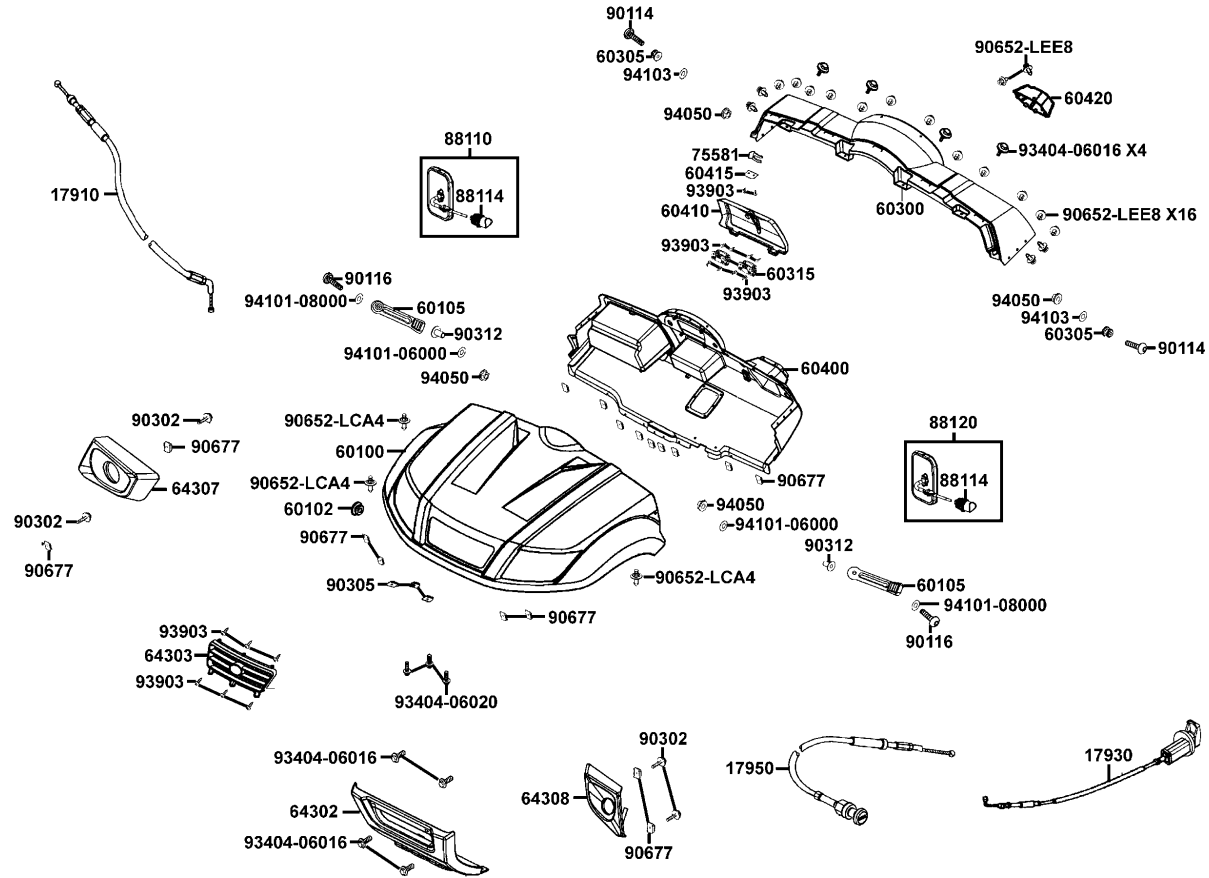
Sales mark	Ref no	Part no	Ver	Description	Reg description	Regd no	F01
	33100	33100-LEE8-E00	1	LIGHT ASSY R HEAD	右前燈	1	
	33110	33110-LEE8-E00	0	UNIT HEAD LIGHT R	右前燈殼組	1	
	33120	33120-LEE8-E00	0	UNIT HEAD LIGHT L	左前燈殼組	1	
	33130	33130-LEE8-E00	0	SOCKET COMP	前燈配線	2	
	33150	33150-LEE8-E00	1	LIGHT ASSY L HEAD	左前燈	1	
	34901	34901-KFA6-900	0	BULB HEAD LIGHT	前燈泡	2	
	34903	34903-KPCP-900	0	BULB POSITION	位置燈燈泡	2	
#	90302	90302-GFY6-940	1	BOLT-WASH 5*16	螺絲 5*16	4	
	93903	93903-35360	0	SCREW TAPPING 5*16	螺釘 5*16	6	



Sales mark	Ref no	Part no	Ver	Description	Reg description	Regd no	F02
	37200-LEE8-E0A	37200-LEE8-E0A	2	METER ASSY SPDMT	儀表	1	
	37200-LEE8-E0B	37200-LEE8-E0B	2	METER ASSY SPDMT	儀表	1	
	37300-LEE8-E0A	37300-LEE8-E0A	0	STAY METER	支架	1	
	37300-LEE8-E0B	37300-LEE8-E0B	0	STAY METER	支架	1	
#	93500	93500-05010-0G	0	SCREW PAN 5*10	螺絲 5*10	4	
#	93903	93903-35260	0	SCREW TAPPING 5*12	螺釘 5*12	4	

F03

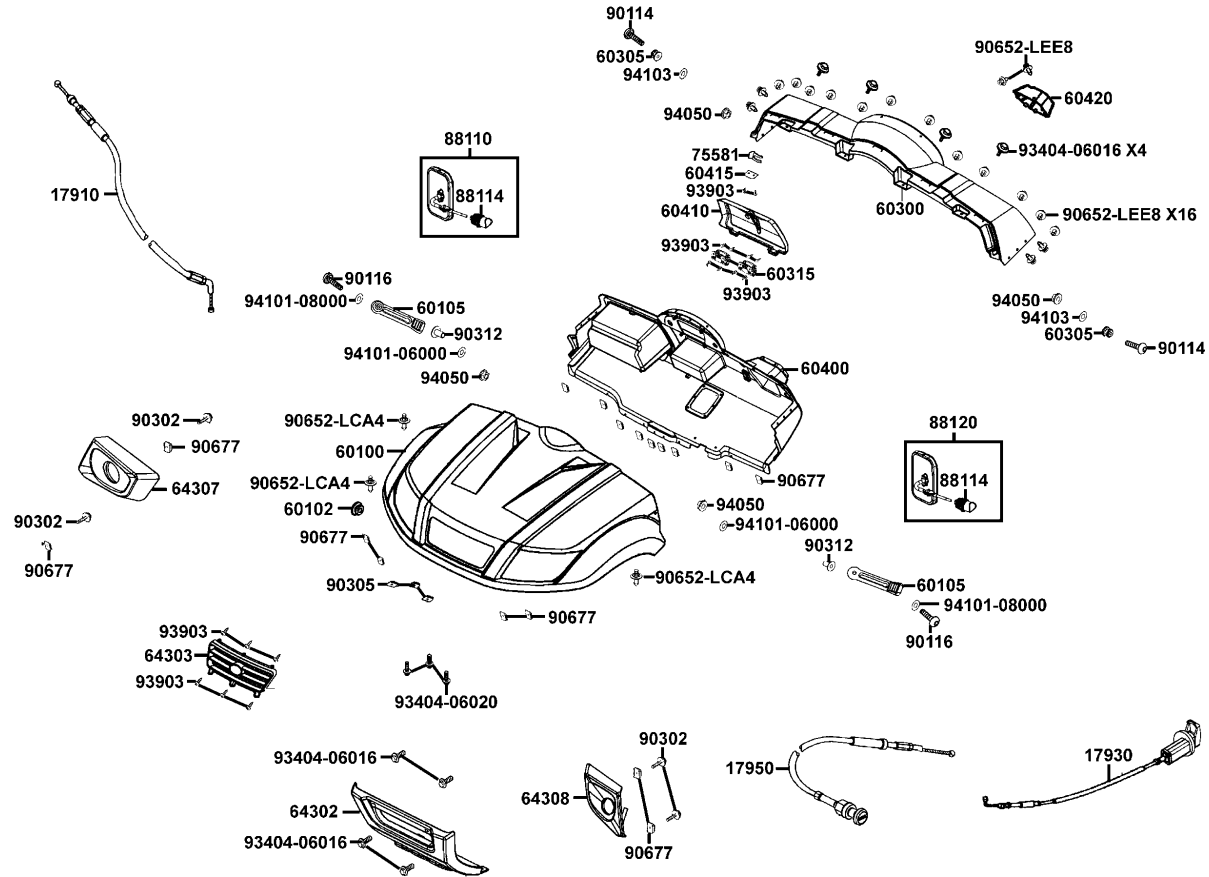
Fender Fr 前土除



Sales mark	Ref no	Part no	Ver	Description	Reg description	Regd no	F03
	17910	17910-LEE8-E00	6	CABLE COMP THROT	節流導線	1	
	17930	17930-LEE8-E00	5	CABLE COMP LOCK	鎖頭導線	1	
	17950	17950-LEE8-E00	4	CABLE COMP CHOKE	阻風門導線	1	
**	60100	60100-LEE8-E00	3	FENDER FRONT	前土除	1	
	60102	60102-PWB1-900	1	GROMMET PANEL-SIDE	索環	1	
	60105	60105-LEE8-E00	2	LATCH FR FENDER	前土除門門	2	
**	60300	60300-LEE8-E00	2	TOP COVER FRONT PANEL	前儀表板上蓋	1	
	60305	60305-LEE8-E00	2	LATCH HOLDER	門門支架	2	
	60315	60315-LEE8-E00	2	HINGE LID	鉸鏈	2	
**	60400	60400-LEE8-E00	2	PANEL FRONT	儀表板	1	
**	60410	60410-LEE8-E00	4	LID GLOVE BOX	置物箱蓋	1	
	60415	60415-LEE8-E00	7	BRACKET COVER	外蓋托架	1	
**	60420	60420-LEE8-E00	6	CAP FRONT PANEL	儀表板蓋	1	
**	64302	64302-LEE8-E00	3	COVER FRONT BUMPER	前保險桿蓋	1	
**	64303	64303-LEE8-E00	4	GRILLE FRONT	前護網	1	
**	64307	64307-LEE8-800	1	COVER R WINKER	右方向燈蓋	1	
**	64308	64308-LEE8-800	1	COVER L WINKER	左方向燈蓋	1	
	75581	75581-KBCB-900	0	SET SPG LOCK KEY	漏斗彈簧夾	1	
	88110	88110-LEE8-E00	5	MIRROR ASSY R BACK	右後視鏡組	1	
	88114	88114-LEE8-E00	0	BOOTS MIRROR	後視鏡支架罩	2	

F03

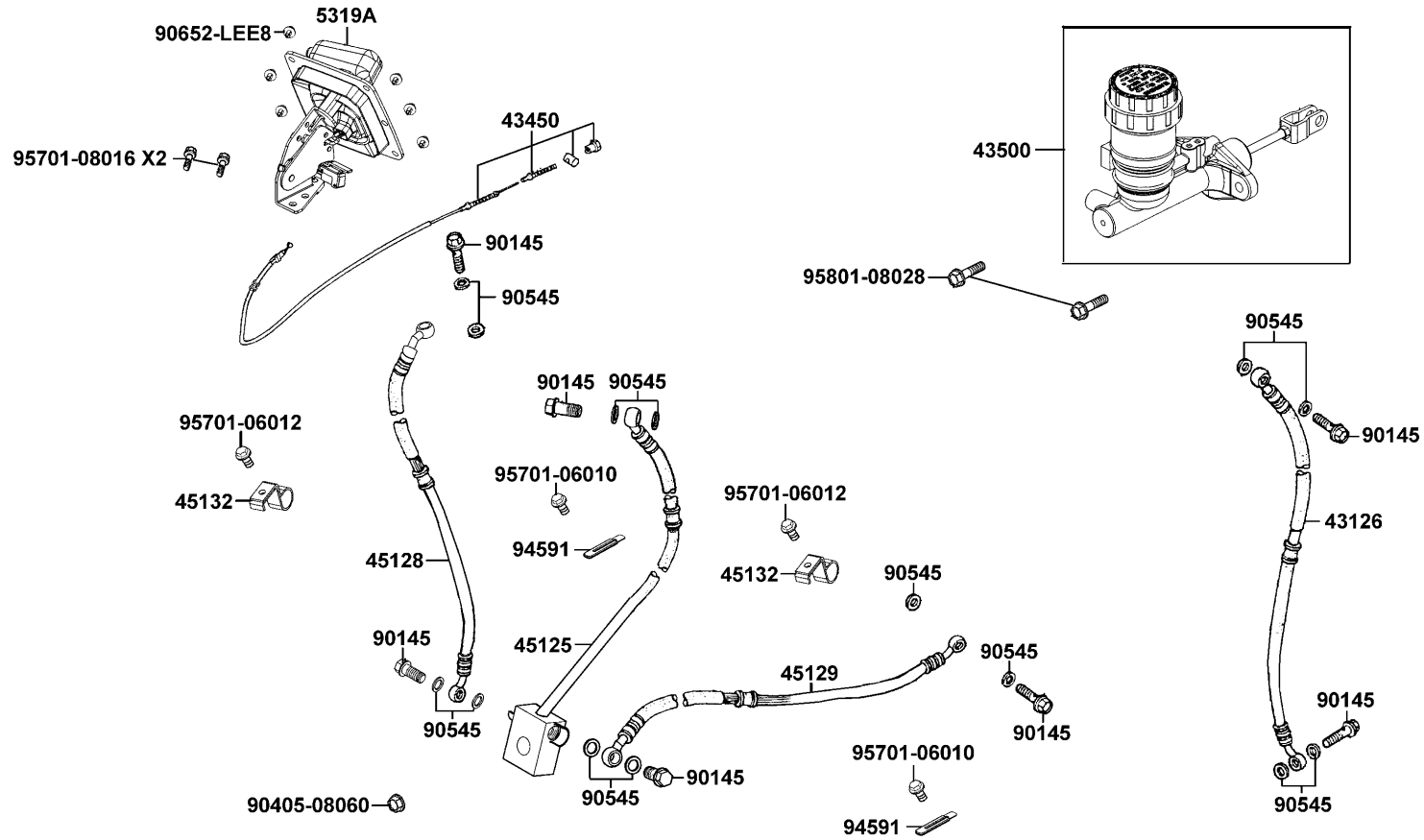
Fender Fr 前土除



Sales mark	Ref no	Part no	Ver	Description	Reg description	Regd no	F03
	88120	88120-LEE8-E00	4	MIRROR ASSY L BACK	左後視鏡組	1	
	90114	90114-LBA2-E00	1	SCREW PAN 6*30	螺絲 6*30	2	
	90116	90116-KED9-900	2	SCREW PAN 6*24	螺絲 6*24	2	
	90302	90302-PWA1-900	2	BOLT-WASH 5*16	螺絲 5*16	4	
	90305	90305-GHK8-001	1	NUT CLIP 6MM	夾螺帽	3	
	90312	90312-LEE8-E00	2	COLLAR LATCH	門門軸環	2	
	90652-LCA4	90652-LCA4-E00	1	CLIP MUDGUARD	踏板架	3	
	90652-LEE8	90652-LEE8-E00	1	RIVET	螺絲	18	
#	90677	90677-GAR1-004	1	NUT CLIP 5MM	彈簧螺帽 5MM	17	
#	93404-06016	93404-06016-06	0	BOLT WASHER 6*16	螺絲 6*16	8	
	93404-06020	93404-06020-06	1	BOLT WASH 6*20	螺絲 6*20	3	
	93903	93903-34360	0	SCREW TAPPING 4*12	螺絲 4*12	16	
	94050	94050-PWA2-900	1	NUT LOCK	螺帽	4	
	94101-06000	94101-06000	0	WASHER PLAIN 6MM	華司 6MM	2	
	94101-08000	94101-08000	0	WASHER PLAIN 8MM	華司 8MM	2	
	94103	94103-06800	0	WASH PLAIN 6MM	華司 6MM	2	

F04

Hose Assy Rr Brk 後煞車油管



Sales mark	Ref no	Part no	Ver	Description	Reg description	Regd no	F04
	43126	43126-LEE8-E00	4	HOSE ASSY RR BRK	後煞車油管組	1	
	43450	43450-LEE8-E00	5	CABLE PARKING BRAKE	駐車煞車線	1	
	43500	43500-LEE8-E00	4	MASTER CYLINDER ASSY	煞車主缸	1	
	45125	45125-LEE8-E00	3	HOSE ASSY M/C FR BRK	前煞車主缸	1	
	45128	45128-LEE8-E00	7	HOSE COMP FR BRK R (C/P)	前右煞車油管	1	
	45129	45129-LEE8-E00	7	HOSE COMP FR BRK L (C/P)	前左煞車油管	1	
	45132	45132-LBA7-900	1	CLAMPER FR BRAKE HOSE	前煞車油管夾	2	
	5319A	5319A-LEE8-E00	4	BRAKE ASSY PARKING	駐車煞車組	1	
	90145	90145-MKS9-61A	1	OIL BOLT 10*22	油管螺絲 10*22	7	
	90545	90545-3L00-001	2	WASHER OIL BOLT	華司	14	
	90652	90652-LEE8-E00	1	RIVET	螺絲	6	
	94050	94050-08060	0	NUT FLANGE 8MM	螺帽8MM	1	
	94591	94591-KFBF-900	2	CLIP 2*70	環夾	2	
	95701-06010	95701-06010-06	1	BOLT FLANGE 6*10	螺絲 6*10	2	
#	95701-06012	95701-06012-06	1	BOLT FLANGE 6*12	螺絲 6*12	2	
	95701-08016	95701-08016-06	0	BOLT FLANGE 8*16	螺絲 6X16	2	
	95801	95801-08028-06	0	BOLT FLANGE 8*28	螺絲 8X28	2	

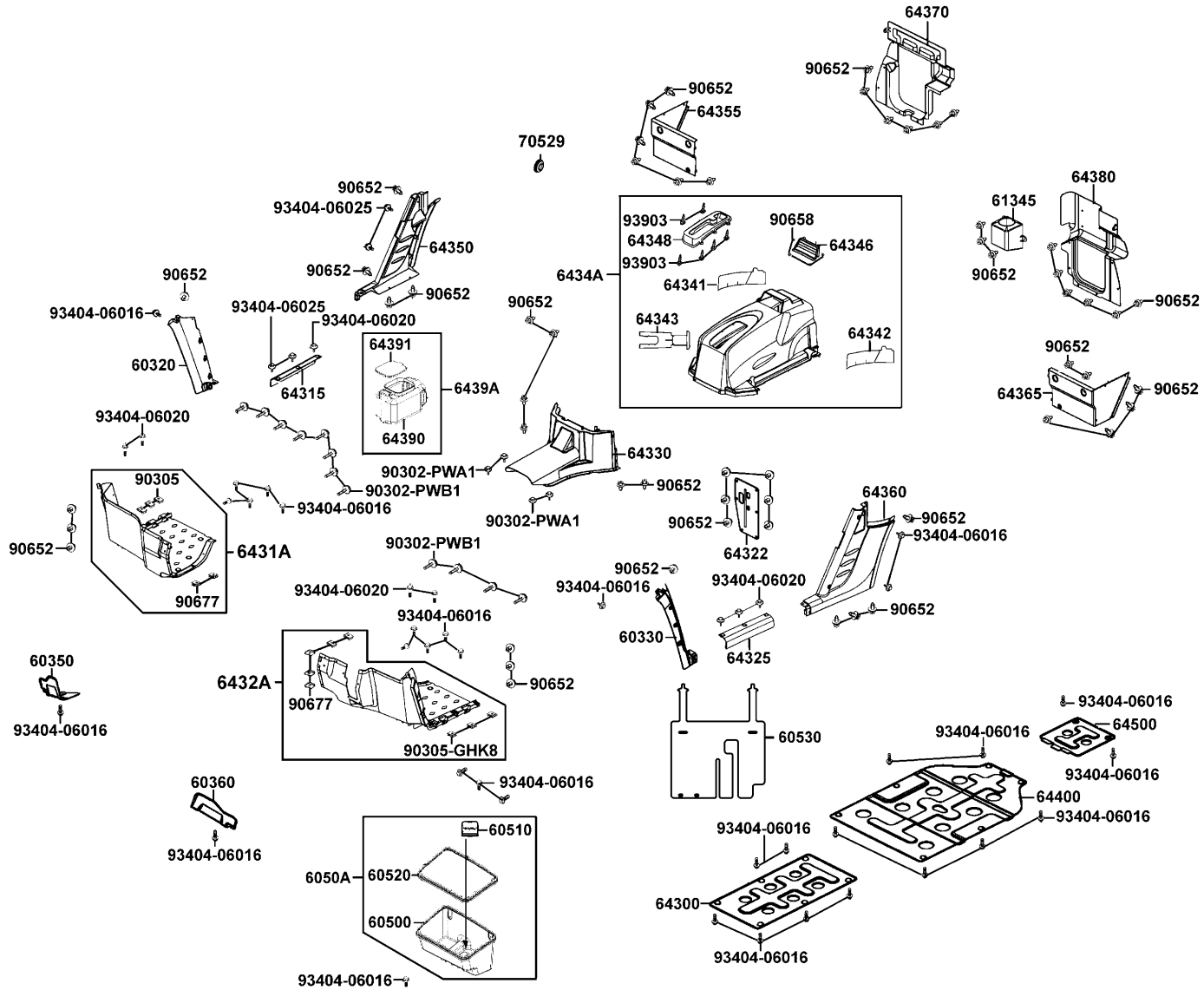
Sales mark	Ref no	Part no	Ver	Description	Reg description	Regd no	F05
**	60320	60320-LEE8-E00	2	SIDE PANEL R FRONT	前右側邊蓋	1	
**	60330	60330-LEE8-E00	2	SIDE PANEL L FRONT	前左側邊蓋	1	
**	60350	60350-LEE8-E00	3	GUARD R BOOT	右側護蓋	1	
**	60360	60360-LEE8-E00	3	GUARD L BOOT	左側護蓋	1	
**	60500	60500-LEE8-E00	2	BOX LUGGAGE	置物箱	1	
**	6050A	6050A-LEE8-E00	3	BOX ASSY LUGGAGE	置物箱組	1	
	60510	60510-LEE8-E00	3	COVER MASTER CYLINDER	煞車油杯外蓋	1	
**	60520	60520-LEE8-E00	1	SEAL LUGGAGE BOX	置物箱油封	1	
	60530	60530-LEE8-E00	1	"PLATE,SPLASH GUARD"	防塵皮	1	
**	61345	61345-LEE8-E00	3	CHAMBER L COVER DUCT B	出口室	1	
**	64300	64300-LEE8-E00	3	COVER UNDER	下蓋	1	
**	64315	64315-LEE8-E00	1	SIDE PANEL R FOOTREST	腳踏板右側邊蓋	1	
**	6431A	6431A-LEE8-E00	2	PANEL ASSY R FOOTREST	右踏板組	1	
	64322	64322-LEE8-E00	2	PLATE PEDAL	腳踏橡皮	1	
**	64325	64325-LEE8-E00	1	SIDE PANEL L FOOTREST	腳踏板左側邊蓋	1	
**	6432A	6432A-LEE8-E00	2	PANEL ASSY L FOOTREST	左踏板組	1	
**	64330	64330-LEE8-E00	4	COVER TUNNEL	隧道蓋	1	
	64341	64341-LEE8-E00	2	SHIELD R HEAT	右隔熱鋁箔	1	
	64342	64342-LEE8-E00	2	SHIELD L HAET	左隔熱鋁箔	1	
	64343	64343-LEE8-E00	2	SHIELD HAET	隔熱鋁箔	1	

F05

Box Assy Luggage

Panel Assy R/L Footrest

置物箱 脚踏板



Sales mark	Ref no	Part no	Ver	Description	Reg description	Regd no	F05
	64346	64346-LEE8-E00	2	GRILLE CENTER COVER	中心蓋護蓋	1	
	64348	64348-LEE8-E00	5	COVER PLUG MAINT	火星塞蓋	1	
**	6434A	6434A-LEE8-E00	7	COVER ASSY CENTER	中心蓋組	1	
**	64350	64350-LEE8-E00	2	PANEL R SIDE	右側邊蓋	1	
**	64355	64355-LEE8-E00	1	SUPPORT R SIDE PANEL	右側支撐蓋	1	
**	64360	64360-LEE8-E00	2	PANEL L SIDE	左側邊蓋	1	
**	64365	64365-LEE8-E00	1	SUPPORT L SIDE PANEL	左側支撐蓋	1	
**	64370	64370-LEE8-E00	3	PROTECTOR FUEL TANK	油箱保護蓋	1	
**	64380	64380-LEE8-E00	3	PROTECTOR SIDE	側邊保護蓋	1	
**	64390	64390-LEE8-E00	3	BOX LUGGAGE	置物箱	1	
	64391	64391-LEE8-E00	2	CAP LUGGAGE BOX	置物箱蓋	1	
**	6439A	6439A-LEE8-E00	4	BOX ASSY LUGGAGE	置物箱組	1	
**	64400	64400-LEE8-E00	6	GUARD ENGINE	引擎護蓋	1	
**	64500	64500-LEE8-E00	3	GUARD BOOT	護蓋	1	
	70529	70529-6G57-671	0	GROM B SIDE PNL	橡皮塞	1	
	90302-PWA1	90302-PWA1-900	2	BOLT-WASH 5*16	螺絲 5*16	4	
	90302-PWB1	90302-PWB1-900	2	BOLT-WASH 5*22	螺絲 5*22	12	
	90305	90305-GHK8-001	1	NUT CLIP 6MM	夾螺帽	6	
	90652	90652-LEE8-E00	1	RIVET	螺絲	55	
	90658	90658-PWA2-900	1	NUT STAMPED	螺帽	4	

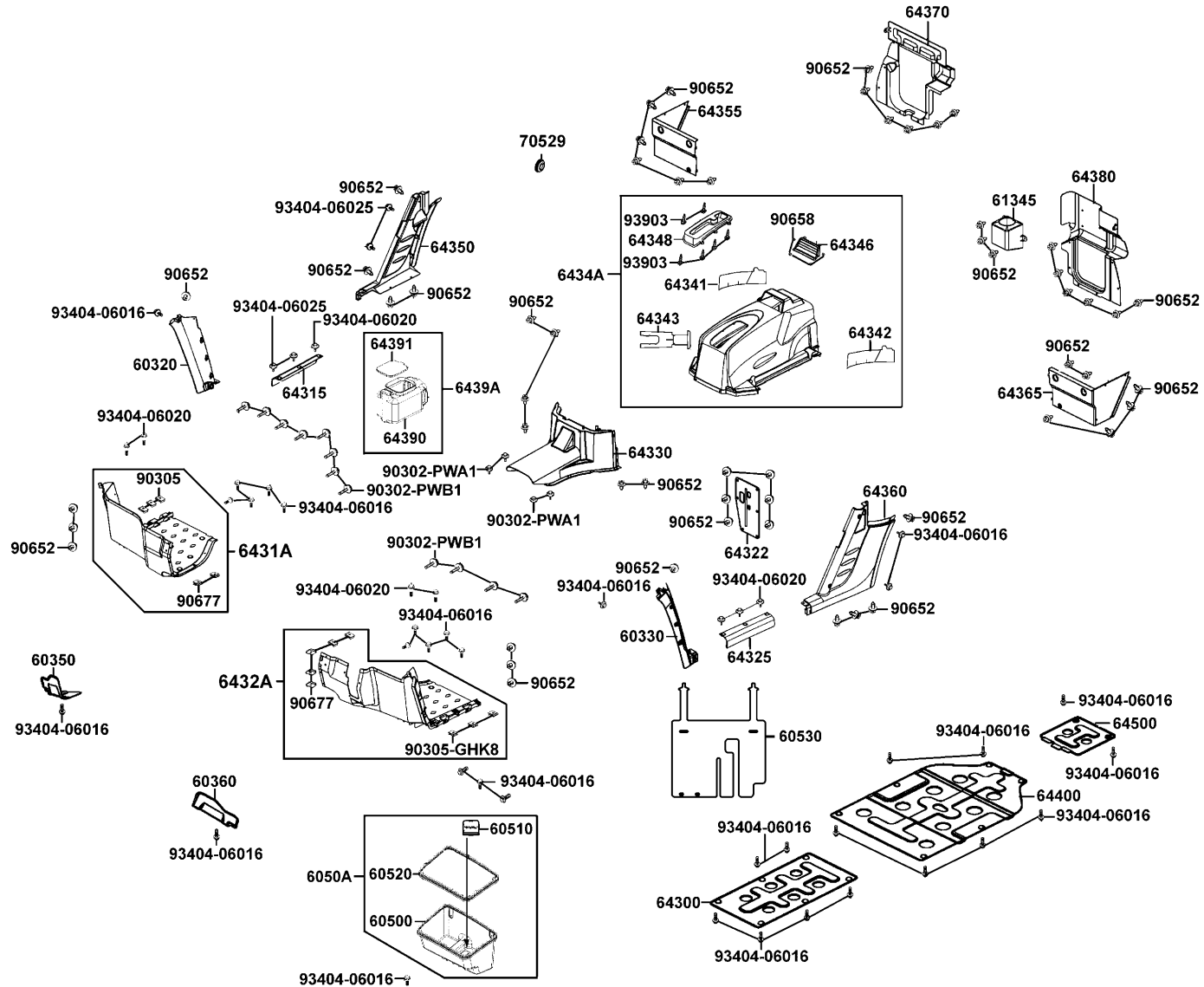
F05

Box Assy Luggage

Panel Assy R/L Footrest

置物箱

腳踏板

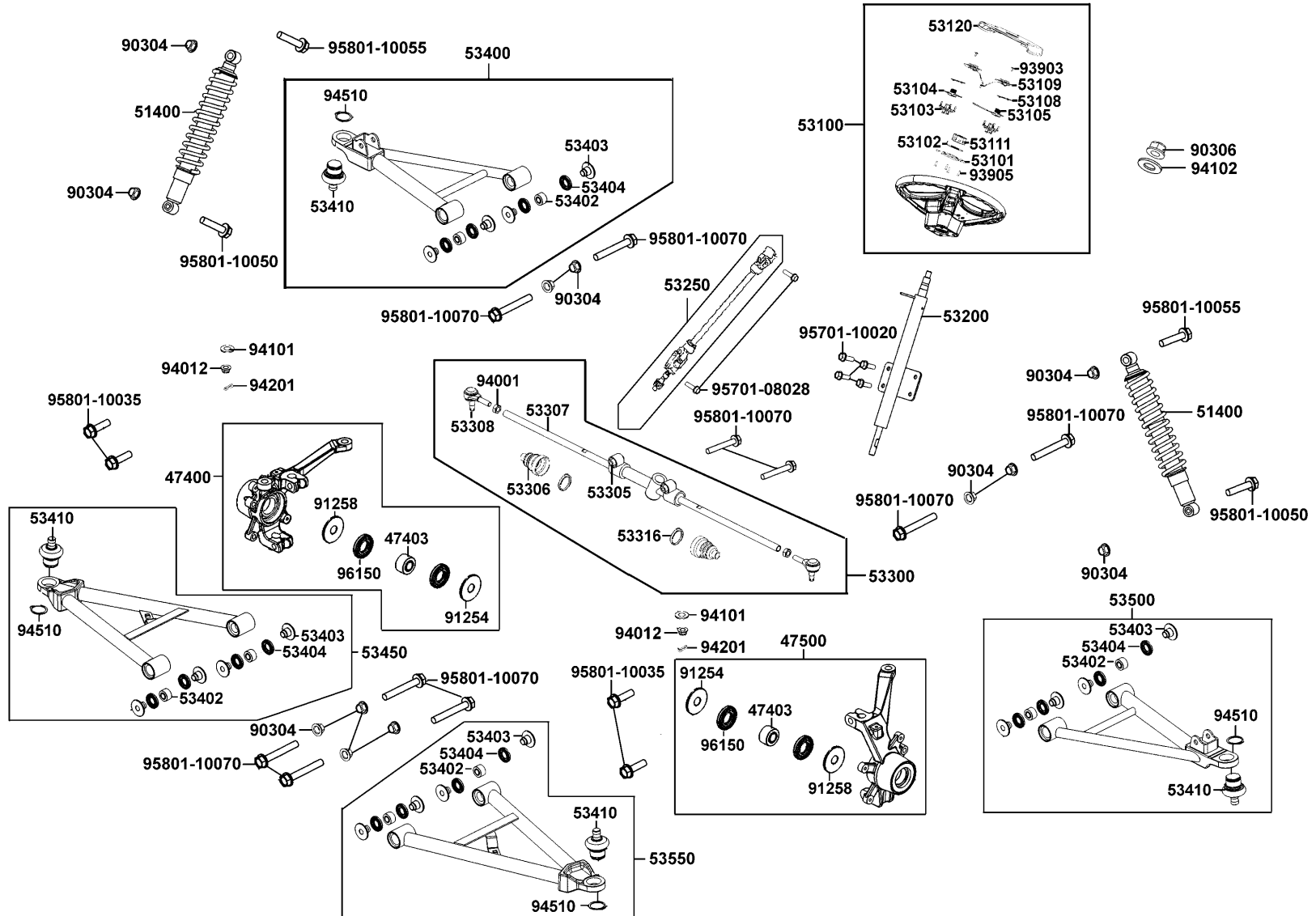


Sales mark	Ref no	Part no	Ver	Description	Reg description	Regd no	F05
#	90677	90677-GAR1-004	1	NUT CLIP 5MM	彈簧螺帽 5MM	7	
#	93404-06016	93404-06016-06	0	BOLT WASHER 6*16	螺絲 6*16	36	
	93404-06020	93404-06020-06	1	BOLT WASH 6*20	螺絲 6*20	10	
	93404-06025	93404-06025-06	0	BOLT WASHER 6*25	螺絲 6*25	8	
#	93903	93903-35260	0	SCREW TAPPING 5*12	螺釘 5*12	6	

F06

Cushion Assy Fr Wheel Assy Steering

前避震器 方向盤組

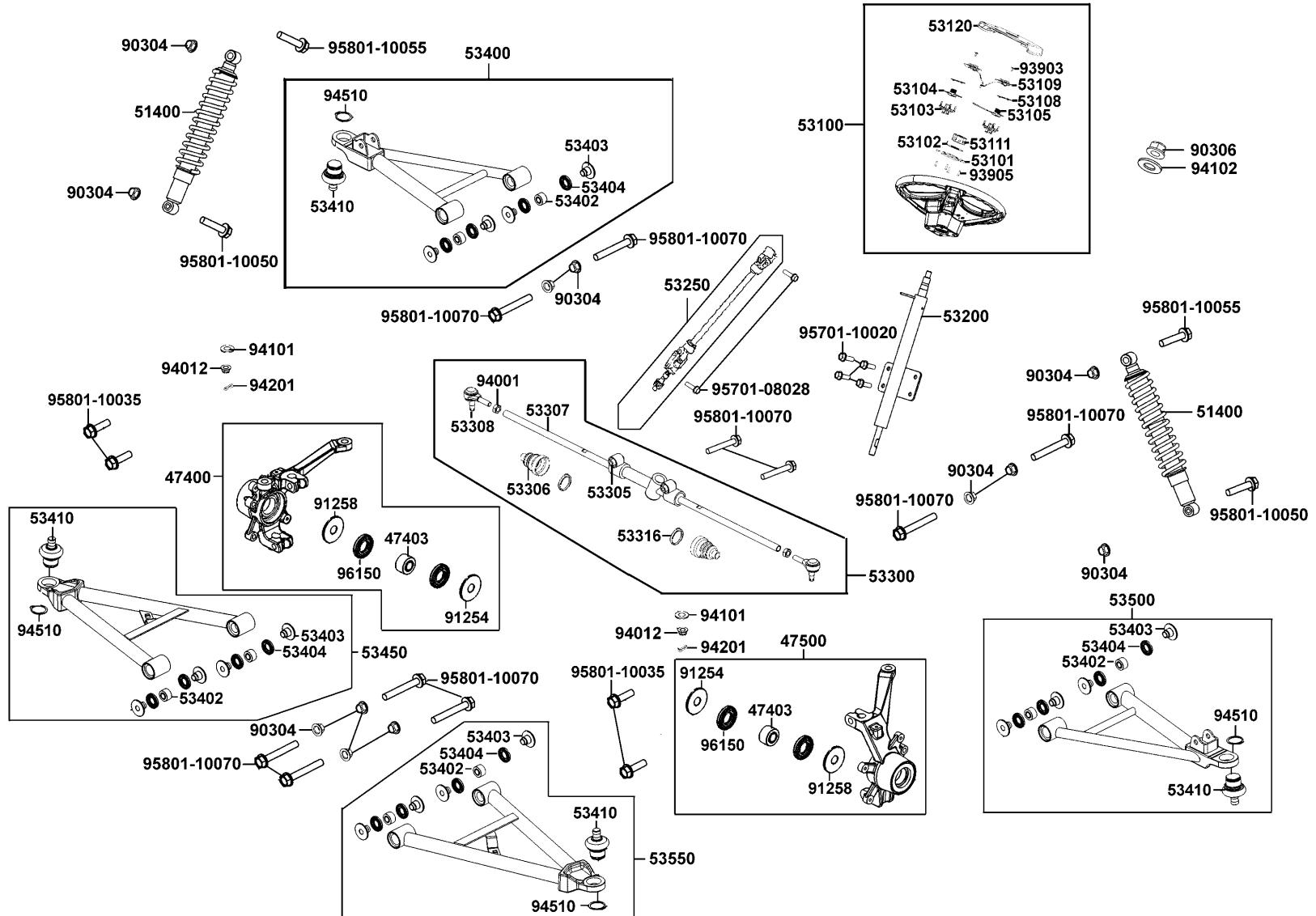


Sales mark	Ref no	Part no	Ver	Description	Reg description	Regd no	F06
	47400	47400-LEE8-E00	7	KNUCKLE ASSY FR R	前右大王銷組	1	
	47403	47403-LDB5-E00	2	COLLAR DISTANCE	轉向軸套	2	
	47500	47500-LEE8-E00	7	KNUCKLE ASSY FR L	前左大王銷組	1	
**	51400	51400-LEE8-E00	7	CUSHION ASSY FR	前避震器組	2	
	53100	53100-LEE8-E00	2	WHEEL ASSY STEERING	方向盤組	1	
	53101	53101-LEE8-E00	0	STAY LOCK	固定架	1	
	53102	53102-LEE8-E00	0	PLATE ELECTRIC	墊片	1	
	53103	53103-LEE8-E00	0	FIXTURE DOWN CU	下固定座	2	
	53104	53104-LEE8-E00	0	CU DOWN	下壓板	2	
	53105	53105-LEE8-E00	0	SPRING	彈簧	2	
	53108	53108-LEE8-E00	0	CU UP	上壓板	2	
	53109	53109-LEE8-E00	0	FIXTURE UP CU	上固定座	2	
	53111	53111-LEE8-E00	0	"COUPLING,STEERING"	連結器	1	
	53120	53120-LEE8-E00	2	COVER WHEEL	方向盤外蓋	1	
	53200	53200-LEE8-E00	6	COLUMN STEERING	方向盤傳向軸	1	
	53250	53250-LEE8-E00	5	STEERING SHAFT ASSY	轉向軸	1	
	53300	53300-LEE8-E00	8	STEERING ASSY	轉向機構組	1	
	53305	53305-LEE8-E00	2	BUSH	軸承	2	
	53306	53306-LEE8-E00	1	BOOT	橡皮套	2	
	53307	53307-LEE8-E00	3	TIE ROD	傳動桿	2	

F06

Cushion Assy Fr Wheel Assy Steering

前避震器 方向盤組

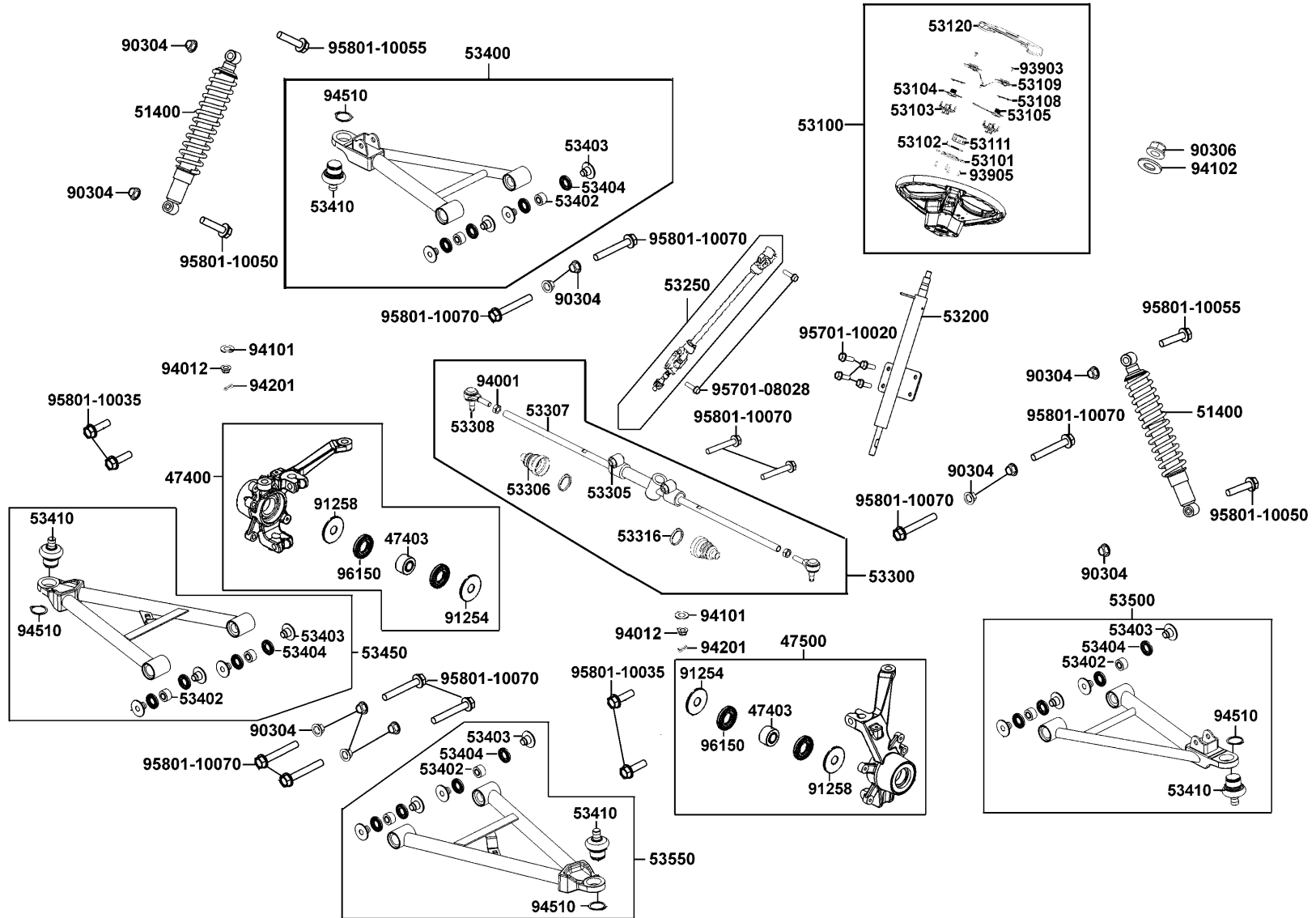


Sales mark	Ref no	Part no	Ver	Description	Reg description	Regd no	F06
	53308	53308-LEE8-E00	4	BALL JOINT TIE ROD	轉向連桿球接頭	2	
	53316	53316-LEE8-E00	0	BAND STRG ASSY	束夾	2	
**	53400	53400-LEE8-E00	7	ARM ASSY FR R SWING UP	前右上臂組	1	
	53402	53402-LEE8-E00	1	BEARING SPHERICAL PLAIN	球面軸承	8	
	53403	53403-LEE8-E00	2	COLLAR SWING ARM	軸套	16	
	53404	53404-LEE8-E00	1	DUST SEAL 16*30*4.5	油封	16	
	53410	53410-PWB1-900	2	BALL JOINT ASSY	搖臂接頭	4	
**	53450	53450-LEE8-E00	5	ARM ASSY FR R SWING LOW	前右下A臂組	1	
**	53500	53500-LEE8-E00	7	ARM ASSY FR L SWING UP	前左上A臂組	1	
**	53550	53550-LEE8-E00	5	ARM ASSY FR L SWING LOW	前左下A臂組	1	
	90304	90304-GHE8-004	0	NUT U 10MM	螺帽 10MM	12	
	90306	90306-KLF0-901	0	NUT FLANGE 12MM	螺帽 12MM	1	
	91254	91254-LDB5-E00	3	SEAL DUST CVJ 38*55*7	油封 38*55*7	2	
	91258	91258-LDB5-E00	2	SEAL DUST HUB 38*55*7	油封 38*55*7	2	
	93903	93903-LEE8-E00	0	SCREW TAPPING 4*11	螺絲	2	
	93905	93905-LEE8-E00	0	SCREW TAPPING 4*16	螺絲	4	
	94001	94001-12280-0S	0	NUT HEX 12MM	螺帽	2	
	94012	94012-LLB1-900	1	NUT CASTLE 10MM	螺帽 10MM	2	
	94101	94101-10800	0	WASHER PLAIN 10MM	華司 10MM	2	
	94102	94102-12800	0	WASHER PLAIN 12MM	華司 12MM	1	

F06

Cushion Assy Fr Wheel Assy Steering

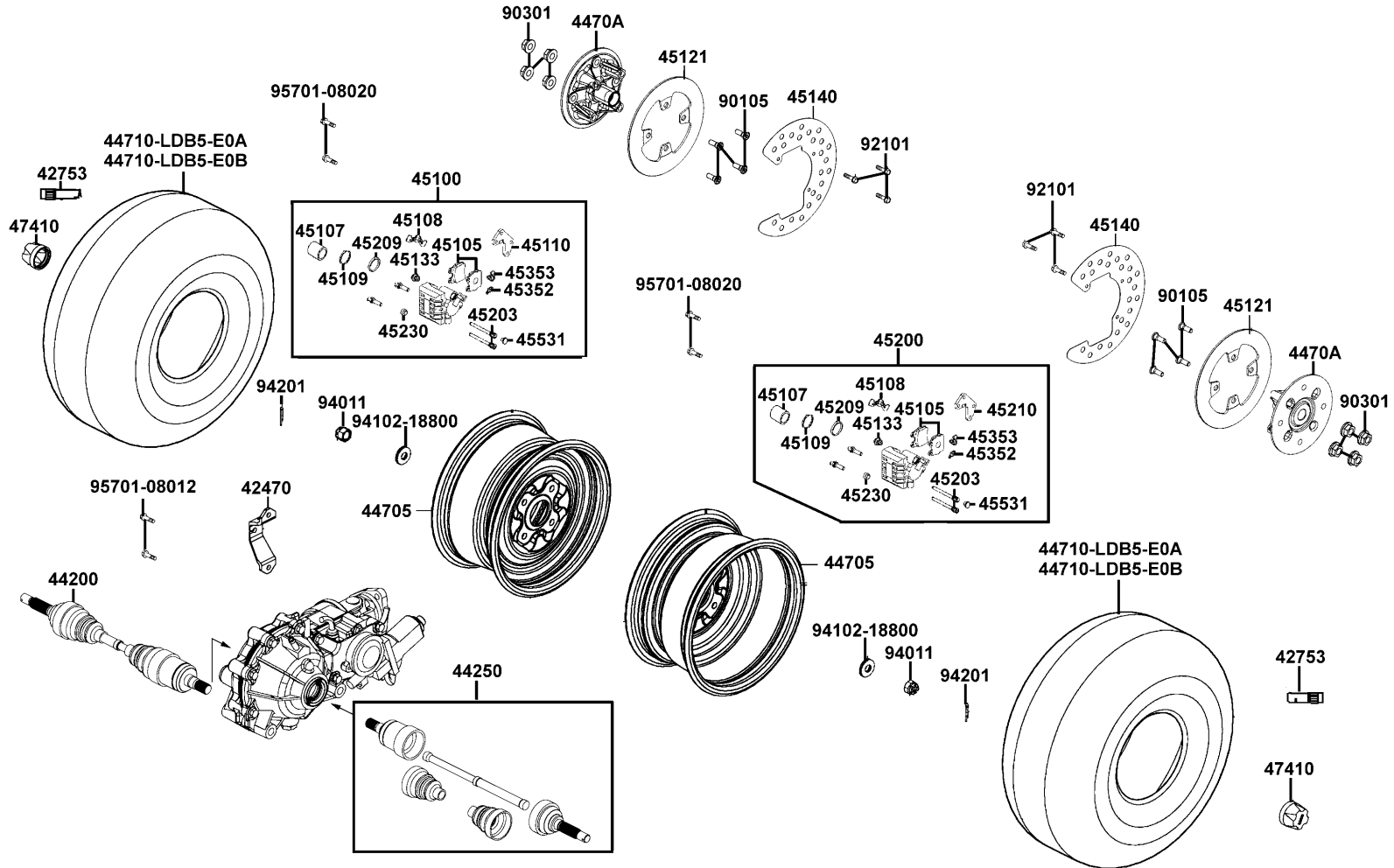
前避震器 方向盤組



Sales mark	Ref no	Part no	Ver	Description	Reg description	Regd no	F06
	94201	94201-25300	0	PIN SPLIT 2.5*30	插銷	2	
	94510	94510-PWB1-900	0	"CIRCLIP EX, 29"	環夾	4	
#	95701-08028	95701-08028-06	1	BOLT FLANGE 8*28	螺絲 8*28	2	
	95701-10020	95701-10020-06	0	BOLT FLANGE 10*20	螺絲 10*20	4	
	95801-10035	95801-10035-06	0	BOLT FLANGE 10*35	螺絲 10*35	4	
	95801-10050	95801-10050-06	1	BOLT FLANGE 10*50	特殊螺絲 10*50	2	
	95801-10055	95801-10055-06	0	BOLT FLANGE 10*55	螺絲 10*55	2	
	95801-10070	95801-10070-06	1	BOLT FLANGE 10*70	螺絲 10*70	10	
	96150	96150-60060-10	0	BEARING BALL RADIAL 6006	軸承	4	

F07

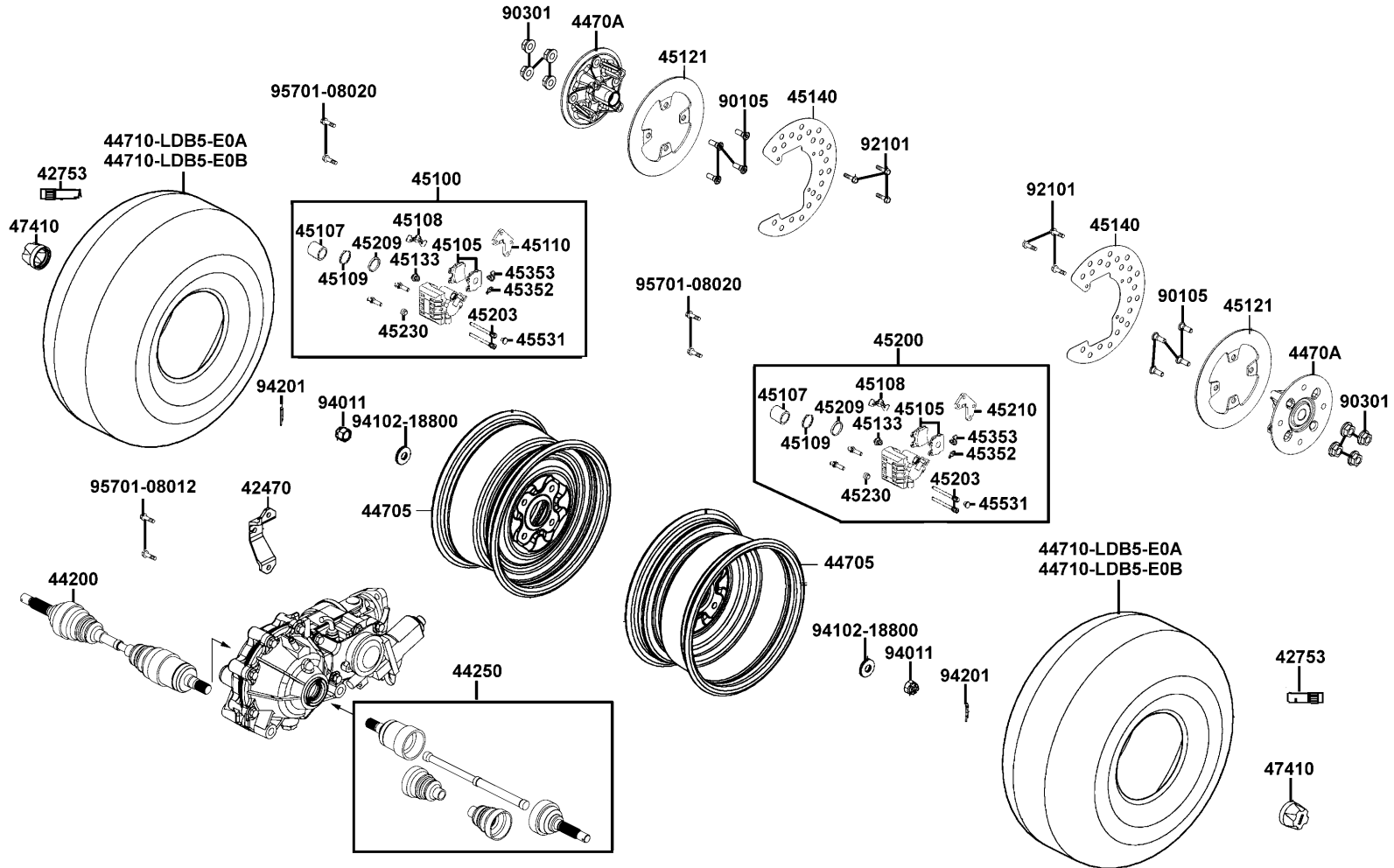
Front Wheel 前輪



Sales mark	Ref no	Part no	Ver	Description	Reg description	Regd no	F07
	42470	42470-LEE8-E00	2	PLATE CABLE	支架	1	
	42753	42753-KNBN-90B	1	VALVE RIM (TR 412)	打氣嘴	2	
	44200	44200-LEE8-E00	5	CVJ ASSY FR	前轉動軸組	1	
	44250	44250-LEE8-E00	3	CVJ ASSY FR L	左前轉動軸組	1	
**	44705	44705-LEE8-E00	3	RIM COMP FR WHEEL	前輪圈總成	2	
	4470A	4470A-LEE8-E00	3	HUB ASSY FR WHEEL	前輪轂組	2	
	44710-LEE8-E0A	44710-LEE8-E0A	2	TIRE ASSY FR	前輪胎	1	
	44710-LEE8-E0B	44710-LEE8-E0B	2	TIRE ASSY FR	前輪胎	1	
**	45100	45100-LEE8-E00	1	CALIPER ASSY FR R	右前煞車卡鉗組	1	
	45105	45105-LBA7-305	0	PAD SET	前煞車摩擦板組	2	
	45107	45107-LBA7-900	0	PISTON	卡鉗活塞	2	
	45108	45108-LBA7-900	0	SPRING PAD	摩擦板彈簧	2	
	45109	45109-LBA7-900	0	DUST SEAL	防塵封	2	
	45110	45110-LEE8-E00	0	BRACKET R	右煞車卡鉗托架	1	
	45121	45121-LEE8-E00	2	DISK BRAKE	煞車碟盤	2	
	45133	45133-LBA7-900	0	BOOT A	襯套 A	2	
	45140	45140-LEE8-E00	1	RING WHEEL FR	前碟保護片	2	
**	45200	45200-LEE8-E00	1	CALIPER ASSY FR L	左前煞車卡鉗組	1	
	45203	45203-LBA7-900	0	PIN HANGER	吊架銷	4	
	45209	45209-LBA7-900	0	SEAL PISTON	油封	2	

F07

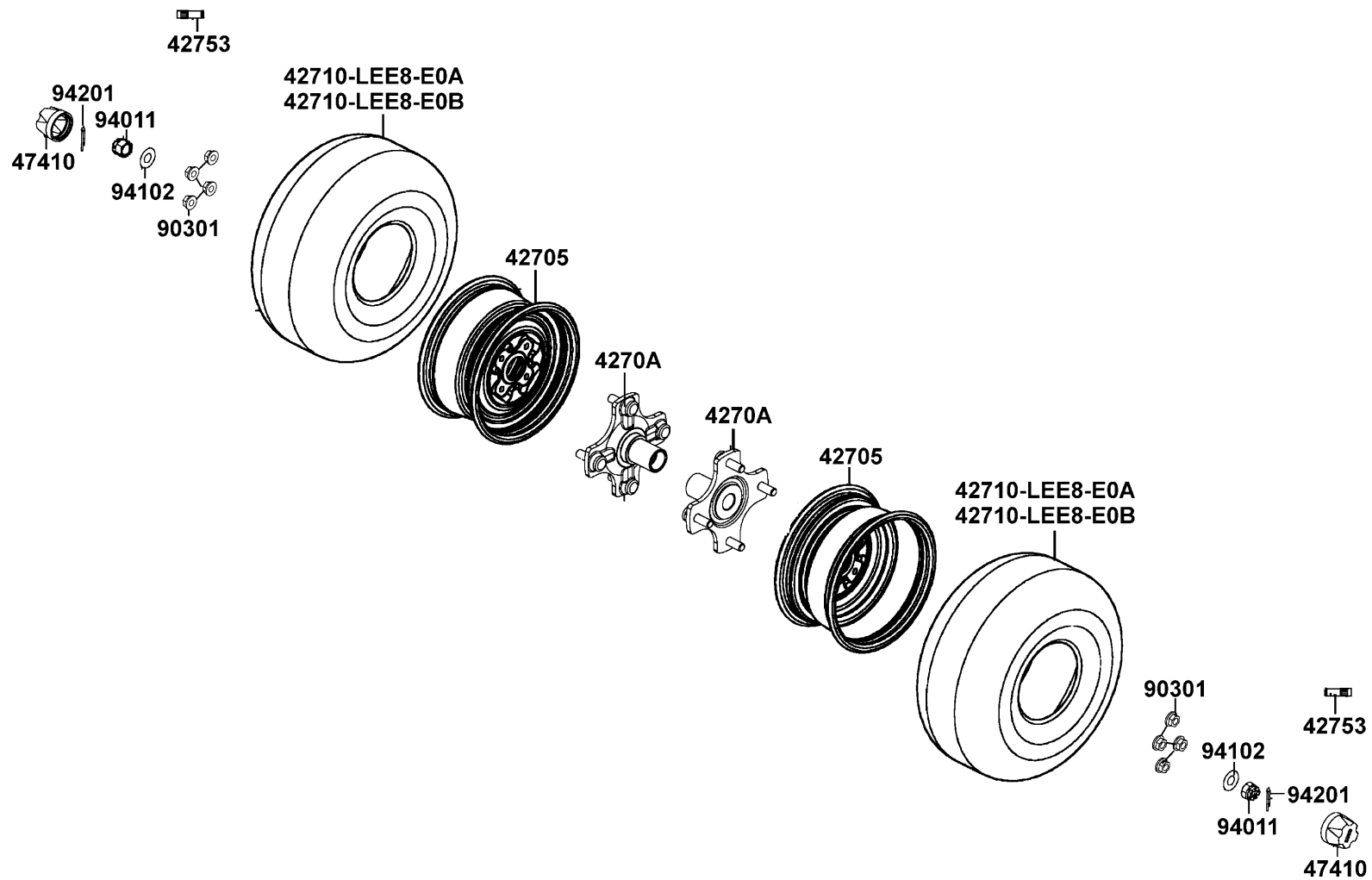
Front Wheel 前輪



Sales mark	Ref no	Part no	Ver	Description	Reg description	Regd no	F07
	45210	45210-LEE8-E00	0	BRACKET L	左煞車卡鉗托架	1	
	45230	45230-LBA7-900	0	BUSH PIN	襯套	2	
	45352	45352-LBA7-900	0	BLEEDER	加油嘴	2	
	45353	45353-LBA7-900	0	CAP BLEEDER	加油嘴蓋	2	
	45531	45531-LBA7-900	0	PLUG	塞蓋	2	
	47410	47410-LDB5-E00	2	CAP WHEEL SHAFT	輪軸防塵蓋	2	
	90105	90105-MLL0-731	1	BOLT STEP HOLDER 8*24	特殊螺絲 8X24	8	
	90301	90301-LDB5-E00	2	NUT WHEEL	輪子螺帽	8	
	92101	92101-06010-0H	0	BOLT HEX 6*10	螺絲 6*10	6	
	94011	94011-LDB5-E00	2	NUT CASTLE 18MM	螺帽 18MM	2	
	94102	94102-18800	0	WASHER PLAIN 18MM	墊圈 18MM	2	
	94201	94201-40400	0	PIN SPLIT 4*40	插銷 4*40	2	
	95701-08012	95701-08012-06	0	BOLT FLANGE 8*12	螺絲 8*12(墨綠)	2	
	95701-08020	95701-08020-06	1	BOLT FLANGE 8*20	螺絲 8*20	4	

F08

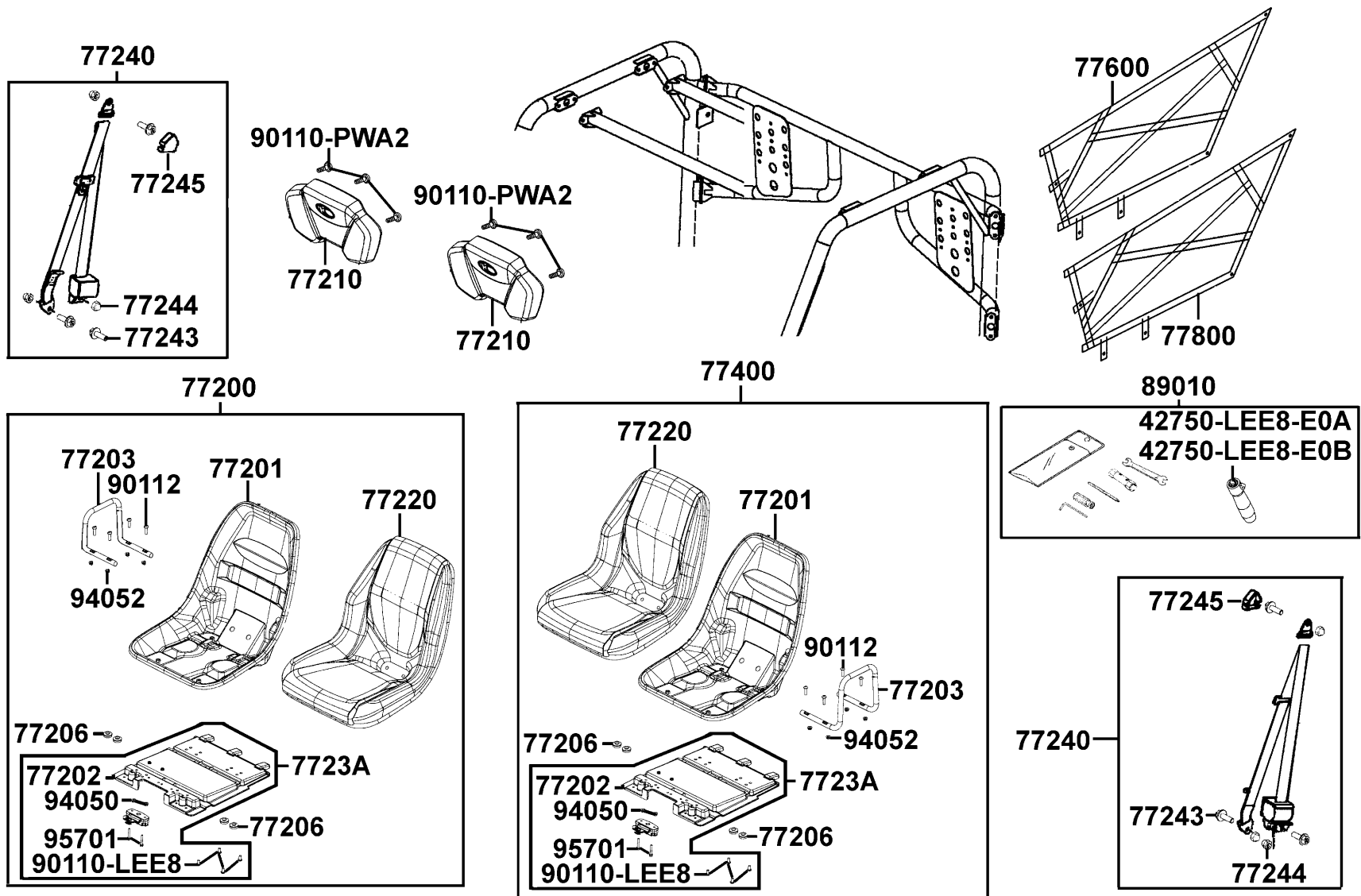
Rear Wheel 後輪



Sales mark	Ref no	Part no	Ver	Description	Reg description	Regd no	F08
**	42705	42705-LEE8-E00	2	RIM COMP RR WHEEL	後輪圈	2	
	4270A	4270A-LEE8-E00	4	HUB ASSY RR WHEEL	後輪殼組	2	
	42710-LEE8-E0A	42710-LEE8-E0A	2	TIRE ASSY RR	後輪胎	2	
	42710-LEE8-E0B	42710-LEE8-E0B	1	TIRE ASSY RR	後輪胎	2	
	42753	42753-KNBN-90B	1	VALVE RIM (TR 412)	打氣嘴	2	
	47410	47410-LDB5-E00	2	CAP WHEEL SHAFT	輪軸防塵蓋	2	
	90301	90301-LDB5-E00	2	NUT WHEEL	輪子螺帽	8	
	94011	94011-LDB5-E00	2	NUT CASTLE 18MM	螺帽 18MM	2	
	94102	94102-18800	0	WASHER PLAIN 18MM	墊圈 18MM	2	
	94201	94201-40400	0	PIN SPLIT 4*40	插銷 4*40	2	

F09

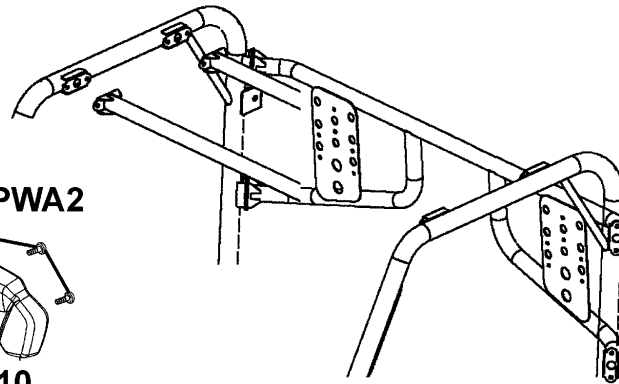
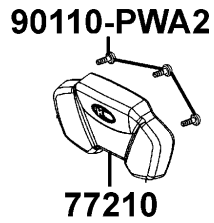
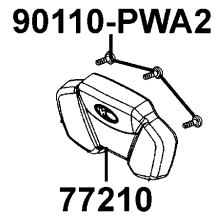
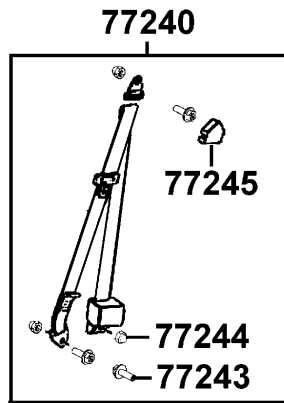
Seat 座墊



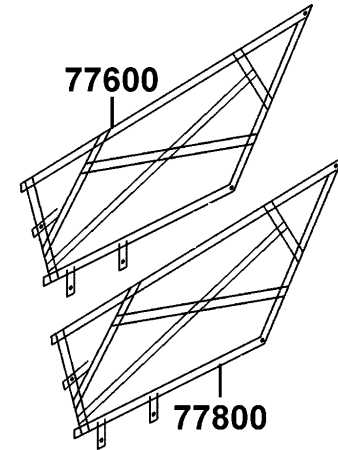
Sales mark	Ref no	Part no	Ver	Description	Reg description	Regd no	F09
	42750-LEE8-E0A	42750-LEE8-E0A	1	GEAR AIR PRESSURE	胎壓計	1	
	42750-LEE8-E0B	42750-LEE8-E0B	1	GEAR AIR PRESSURE	胎壓計	1	
**	77200	77200-LEE8-E00	2	SEAT ASSY R	右座墊組	1	
	77201	77201-LEE8-E00	2	PLATE COMP SEAT	座墊底板	2	
	77202	77202-LEE8-E00	3	BOTTOM PLATE SEAT	座墊底座	2	
	77203	77203-LEE8-E00	1	GRIP SEAT	扶手	2	
	77206	77206-LBA7-900	1	RUBBER SEAT CUSH	橡皮	8	
**	77210	77210-LEE8-E00	1	HEADREST	頭枕組	2	
**	77220	77220-LEE8-E00	2	SINGLE SEAT ASSY	座墊	2	
	7723A	7723A-LEE8-305	0	LOCK ASSY SEAT	座墊鎖組	2	
	77240	77240-LEE8-E00	3	BELT SAFETY	安全帶組	2	
	77243	77243-LEE8-E00	0	BOLT	螺絲	6	
	77244	77244-LEE8-E00	0	NUT FLANGE	螺帽	6	
	77245	77245-LEE8-E00	0	CAP BOLT	螺絲蓋	2	
**	77400	77400-LEE8-E00	2	SEAT ASSY L	左座墊組	1	
	77600	77600-LEE8-E00	2	"NET ASSY,R SAFETY"	右駕駛座側安全護網	1	
	77800	77800-LEE8-E00	2	"NET ASSY,L SAFETY"	左駕駛座側安全護網	1	
	89010	89010-LEE8-E00	4	TOOL SET	工具包	1	
	90110-LEE8	90110-LEE8-E00	0	BOLT SPECIAL 8*16	螺絲 8*16	8	
	90110-PWA2	90110-PWA2-900	2	BOLT SPECIAL 6*16	螺絲 6*16	6	

F09

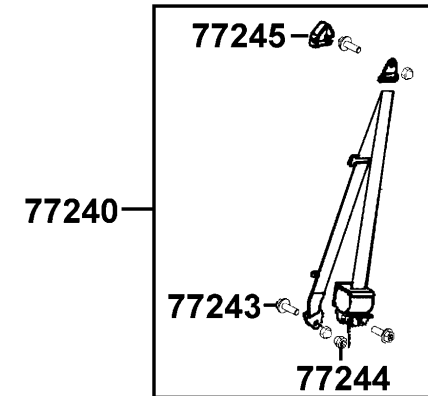
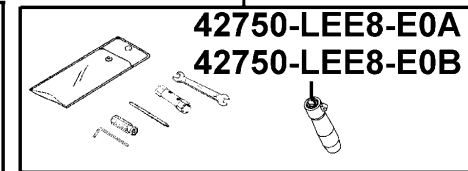
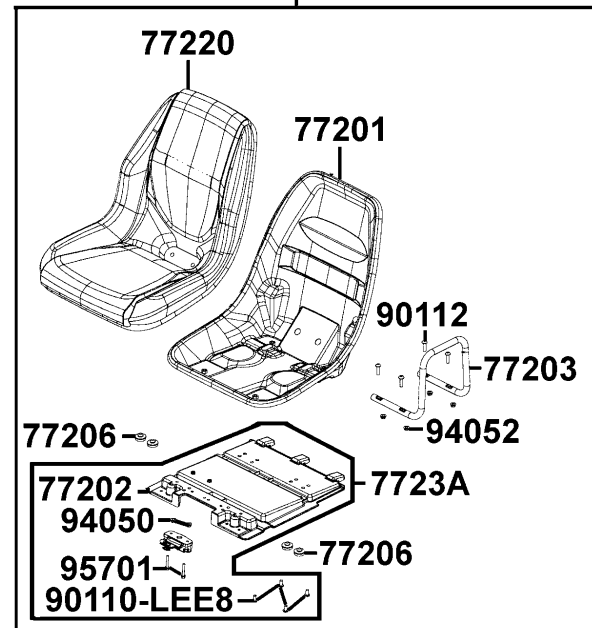
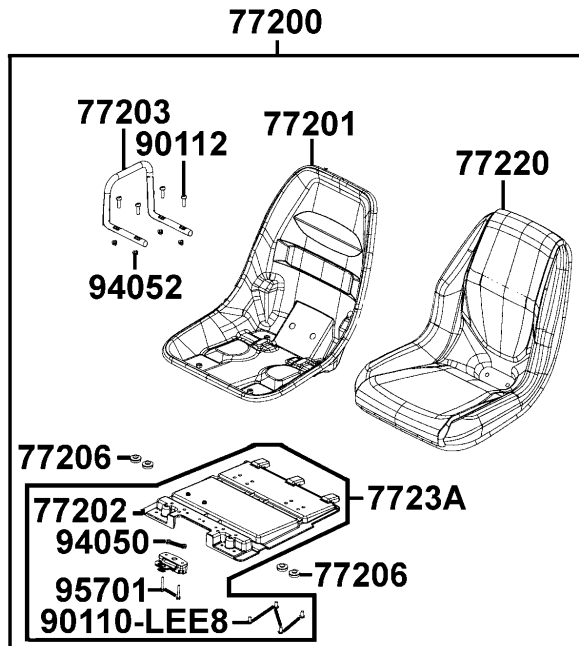
Seat 座墊



77400



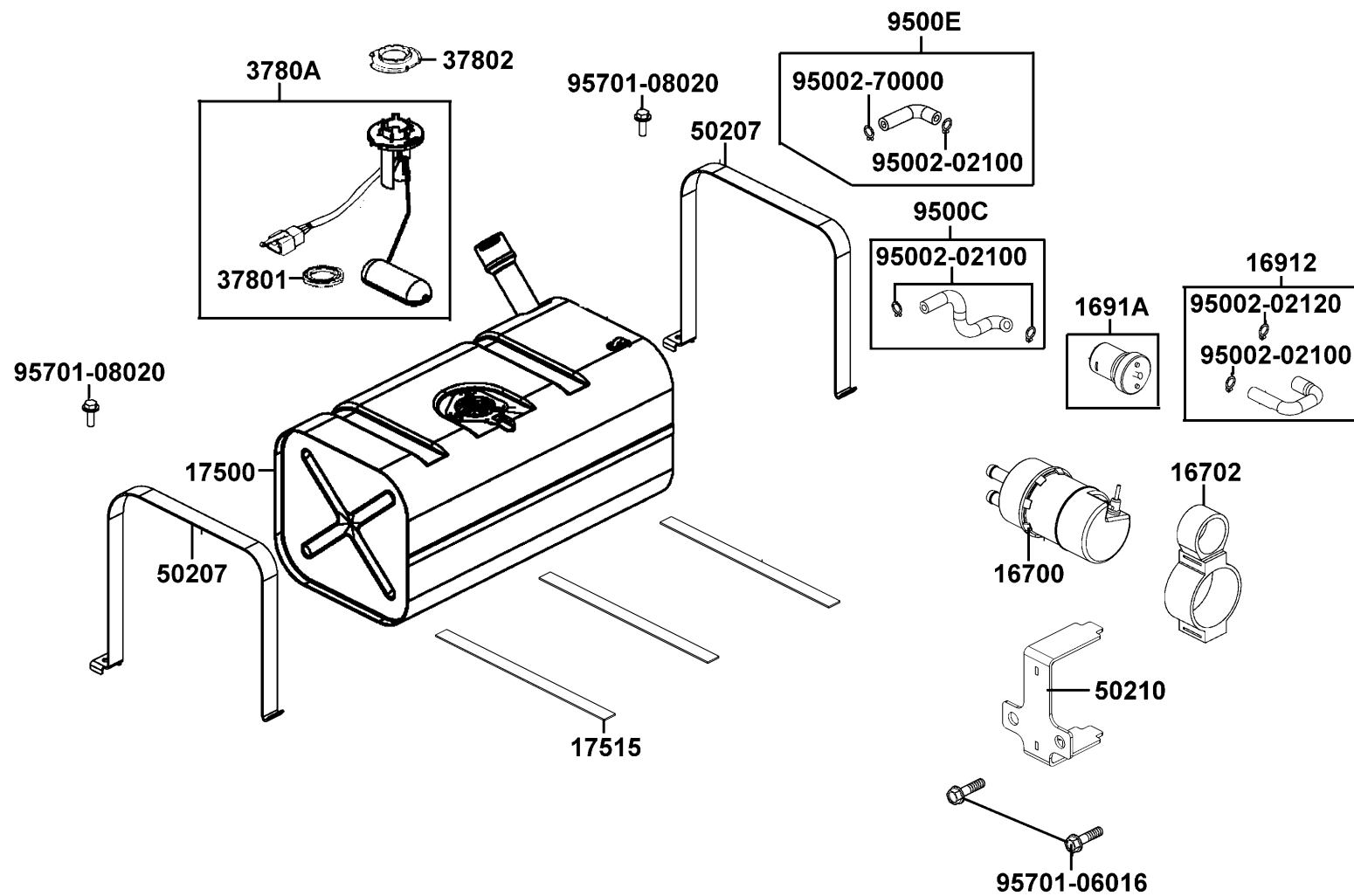
89010



Sales mark	Ref no	Part no	Ver	Description	Reg description	Regd no	F09
	90112	90112-LEE8-E00	0	BOLT SPECIAL 8*40	螺絲 8*40	8	
	94050	94050-LEE8-E00	0	NUT FLANGE 6MM	螺帽	4	
	94052	94052-LEE8-E00	0	NUT FLANGE 8MM	螺帽	8	F09
	95701	95701-LEE8-E00	0	BOLT FLANGE 6*40	螺絲 6*40	4	

F10

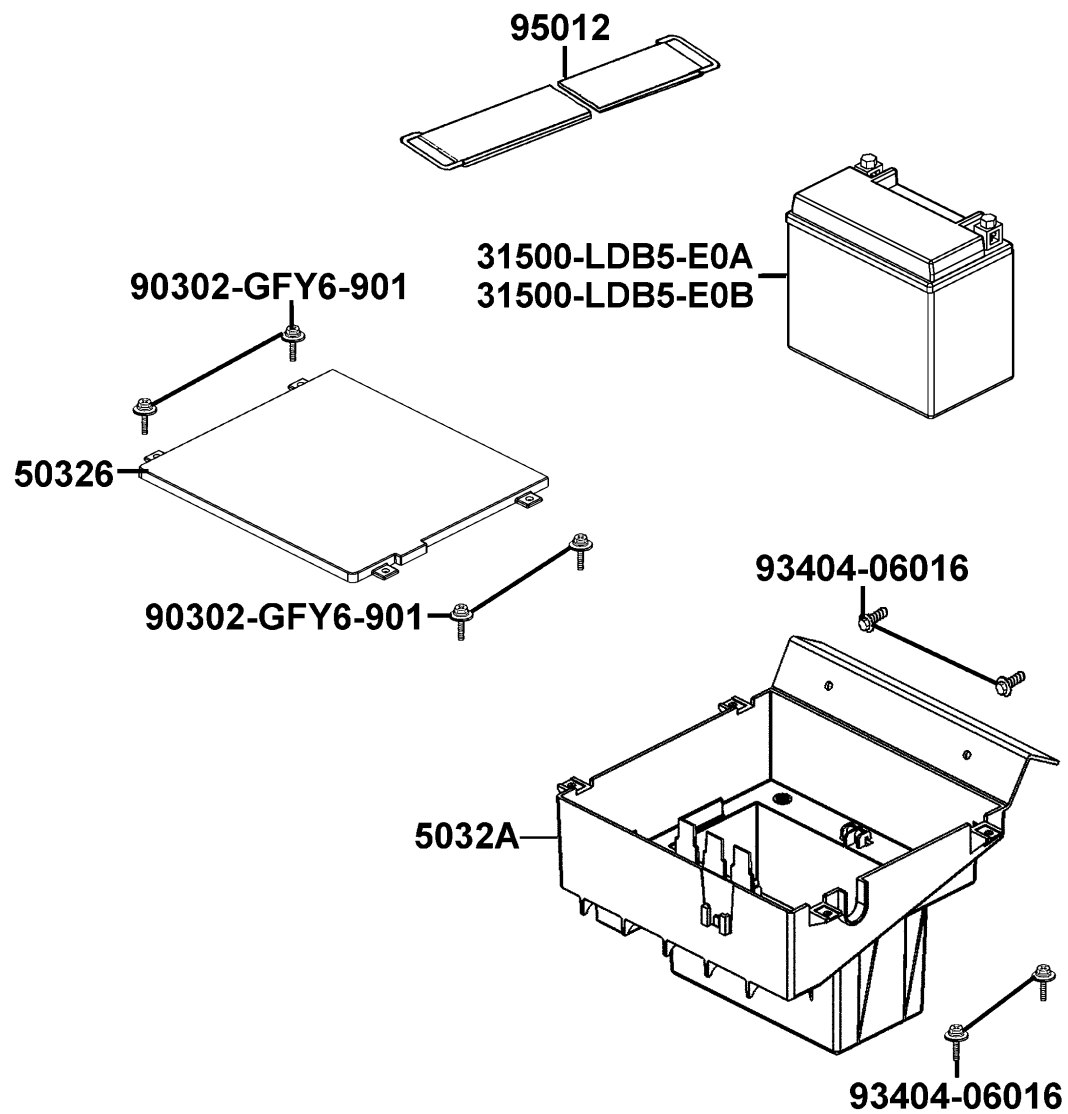
Fuel Tank 油箱



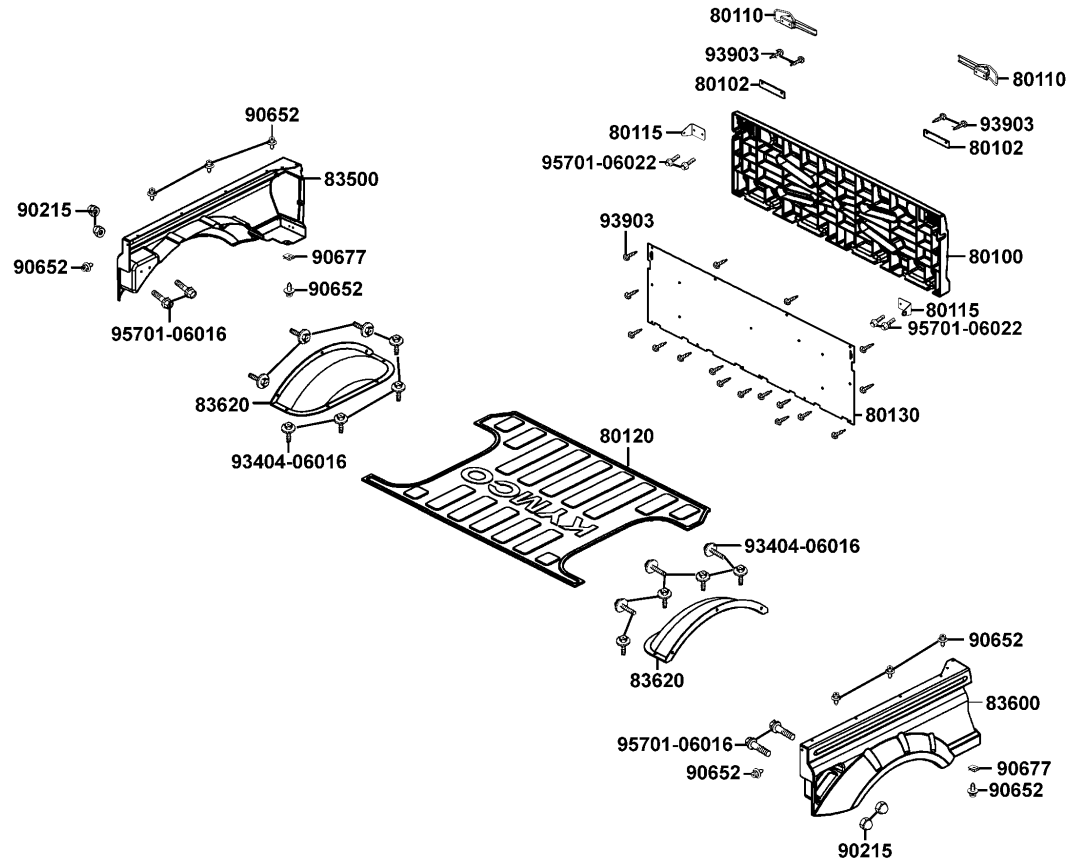
Sales mark	Ref no	Part no	Ver	Description	Reg description	Regd no	F10
	16700	16700-LEE8-E00	1	PUMP FUEL	汽油幫浦	1	
	16702	16702-LBA2-E00	2	BAND FUEL HOSE	汽油泵浦防振橡皮	1	
	16912	16912-LBA2-E00	2	TUBE ASSY STRAINER TO FUEL	油管組	1	
	1691A	1691A-KEC2-E00	0	STRAINER ASSY FUEL	汽油濾清器	1	
	17500	17500-LEE8-E00	6	TANK FUEL	油箱組	1	
	17515	17515-LEE8-E00	1	SPONGE FUEL TANK	油箱支架	3	
	37801	37801-GGA7-701	1	PACKING BASE	墊圈盤	1	
	37802	37802-GGA7-701	2	RET FUEL UNIT	浮筒計承件	1	
	3780A	3780A-LEE8-E00	1	FUEL UNIT ASSY	燃料指示器組	1	
	50207	50207-LEE8-E00	3	STAY FUEL TANK	油箱支架	2	
	50210	50210-LEE8-E00	4	STAY FUEL PUMP	油泵支架	1	
	95002-02100	95002-02100	0	CLIP B15 TUBE	管夾	4	
	95002-02120	95002-02120	0	CLIP B12 TUBE	管夾 B12	1	
	95002-70000	95002-70000	0	CLIP C11 TUBE	管夾	1	
	9500C	9500C-LEE8-E00	3	TUBE ASSY FUEL	油管組	1	
	9500E	9500E-LEE8-E00	4	TUBE ASSY FUEL	油管組	1	
#	95701-06016	95701-06016-06	0	BOLT FLANGE 6*16	螺絲 6*16	2	
	95701-08020	95701-08020-06	1	BOLT FLANGE 8*20	螺絲 8*20	2	

F11

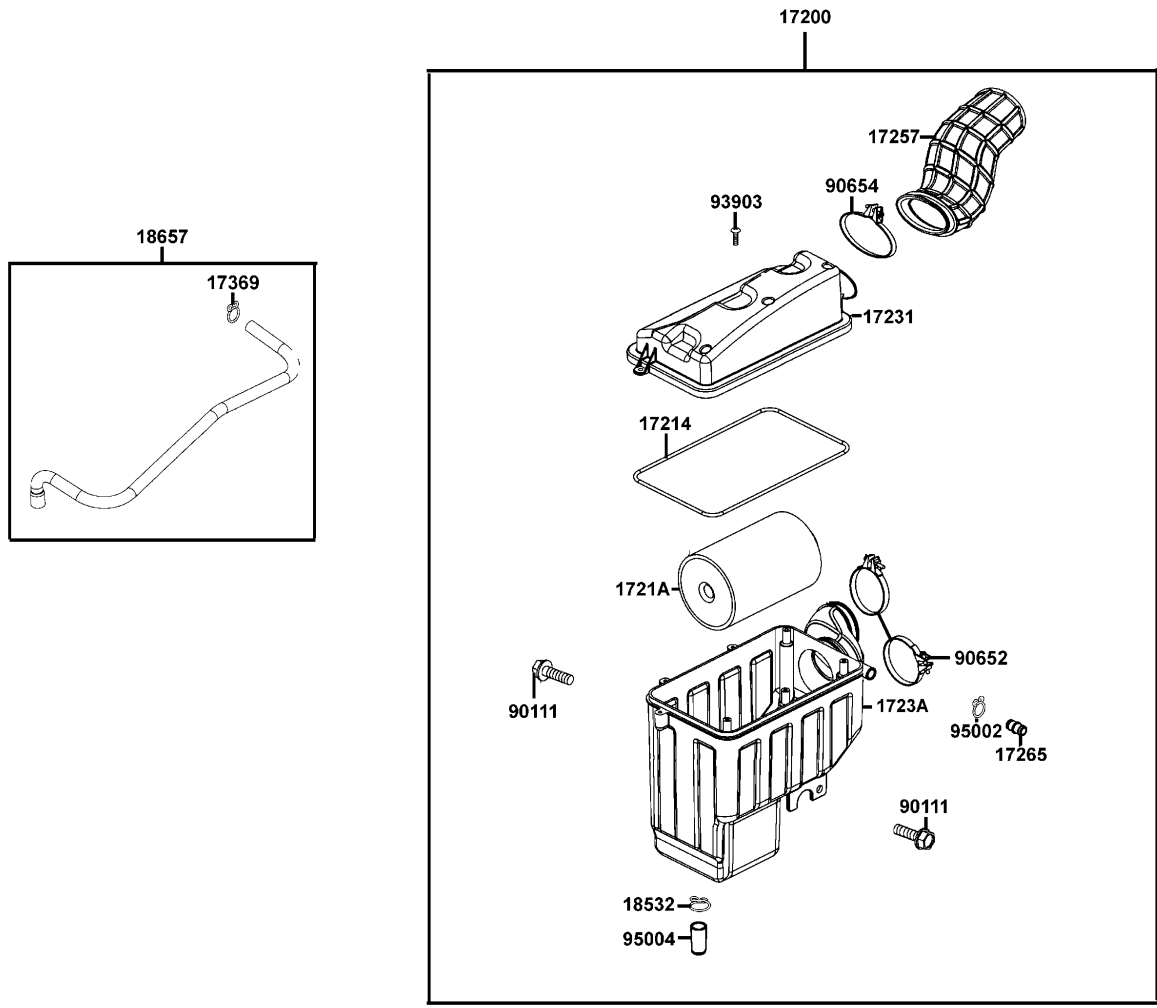
Battery 電瓶



Sales mark	Ref no	Part no	Ver	Description	Reg description	Regd no	F11
	31500-LDB5-E0A	31500-LDB5-E0A	2	BATTERY YTX20L-BS	電瓶	1	
	31500-LDB5-E0B	31500-LDB5-E0B	2	BATTERY GTX20L-BS	電瓶	1	
**	50326	50326-LEE8-E00	2	COVER BATTERY	電瓶盒蓋	1	
	5032A	5032A-LEE8-E00	1	CASE ASSY BATTERY	電瓶盒組	1	
	90302	90302-GFY6-901	1	BOLT WASH 5*12	螺絲 5*12	4	
#	93404	93404-06016-06	0	BOLT WASHER 6*16	螺絲 6*16	4	
	95012	95012-KED9-900	1	BAND BATTERY	電瓶束環	1	



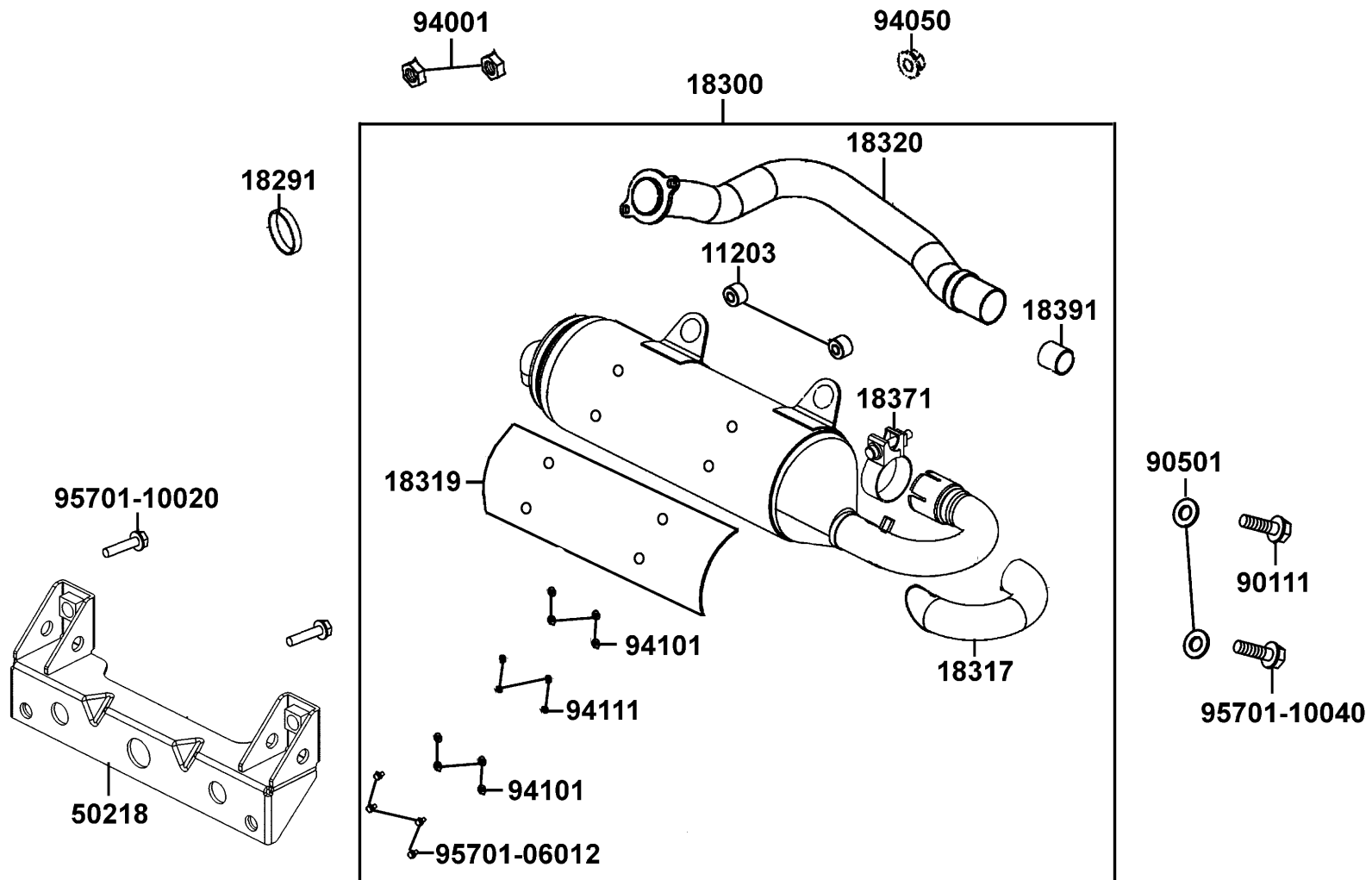
Sales mark	Ref no	Part no	Ver	Description	Reg description	Regd no	F12
**	80100	80100-LEE8-E00	3	LID REAR STORAGE	儲藏箱蓋	1	
	80102	80102-LEE8-E00	1	STAY HINGE	固定片	2	
	80110	80110-LEE8-E00	5	LATCH REAR STORAGE LID	儲藏箱門門	2	
	80115	80115-LEE8-E00	1	BRACKET TRUNK STOPPER	托架	2	
	80120	80120-LEE8-E00	2	MAT REAR STORAGE	襯墊	1	
	80130	80130-LEE8-E00	2	CASE REAR STORAGE LID	儲藏箱蓋殼	1	
**	83500	83500-LEE8-E00	4	PANEL R REAR FENDER	右後土除蓋	1	
**	83600	83600-LEE8-E00	4	PANEL L REAR FENDER	左後土除蓋	1	
**	83620	83620-LEE8-E00	2	GUARD MUD	護蓋	2	
	90215	90215-KKC4-900	1	NUT CAP 6MM	圓螺帽 6MM	4	
	90652	90652-LEE8-E00	1	RIVET	螺絲	10	
#	90677	90677-GAR1-004	1	NUT CLIP 5MM	彈簧螺帽 5MM	2	
#	93404	93404-06016-06	0	BOLT WASHER 6*16	螺絲 6*16	14	
	93903	93903-35360	0	SCREW TAPPING 5*16	螺釘 5*16	21	
#	95701-06016	95701-06016-06	0	BOLT FLANGE 6*16	螺絲 6*16	4	
	95701-06022	95701-06022-06	1	BOLT FLANGE 6*22	螺絲 6X22	4	



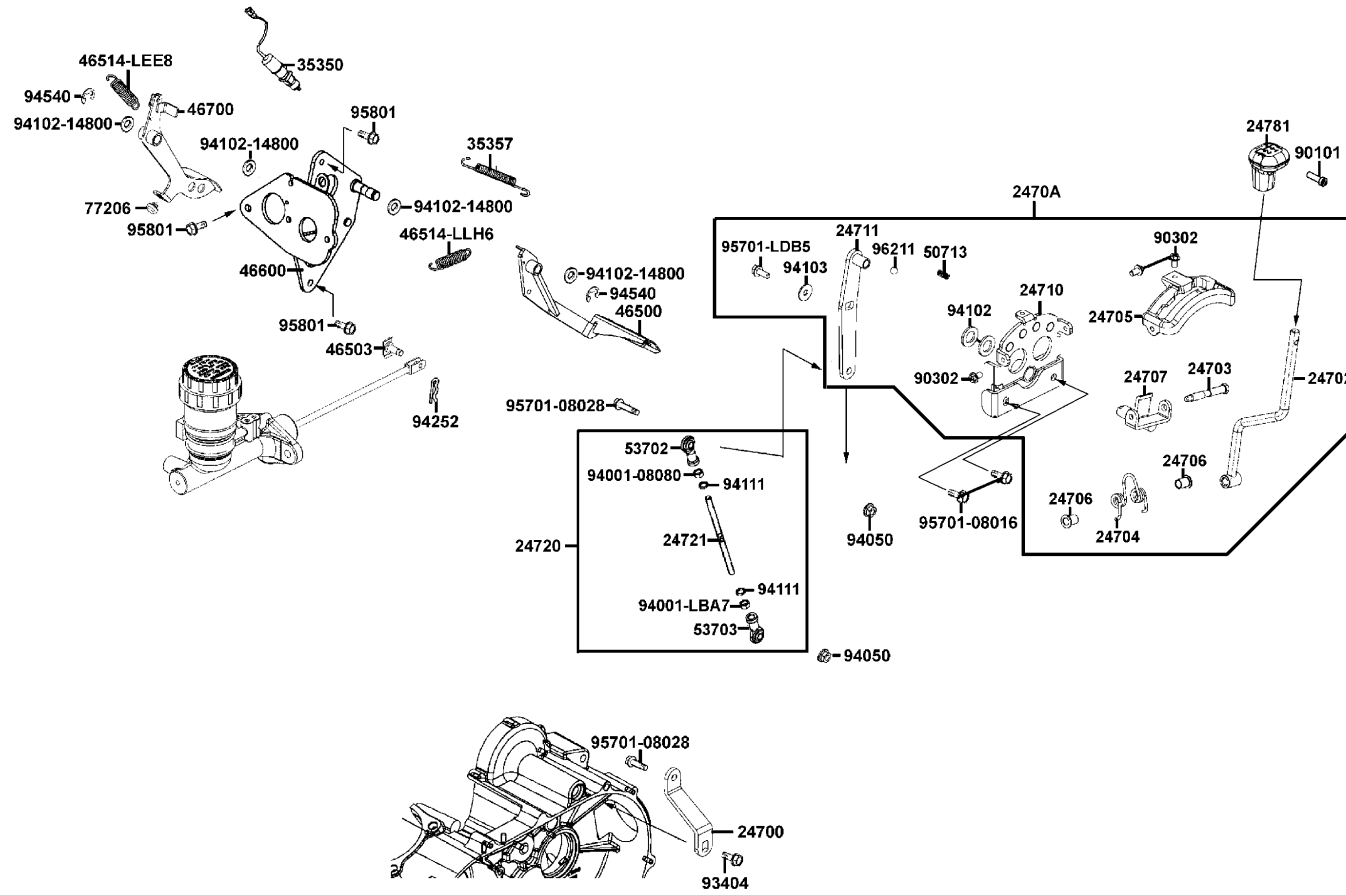
Sales mark	Ref no	Part no	Ver	Description	Reg description	Regd no	F13
	17200	17200-LEE8-E00	6	AIR/C ASSY	空氣濾清器組	1	
	17214	17214-LEE8-E00	1	SEAL AIR/C CASE	墊圈	1	
	1721A	1721A-LDB5-E00	2	ELEMENT COMP AIR/C	空氣濾清器濾芯	1	
	17231	17231-LEE8-E00	3	COVER AIR/C	空氣濾清器蓋	1	
	1723A	1723A-LEE8-E00	3	CASE AIR/C	空氣濾清器箱蓋	1	
	17257	17257-LDB5-E00	3	DUCT A AIR/C CASE	空氣導管	1	
	17265	17265-LBA7-900	1	JOINT BLOW BY	空氣濾清器箱接頭	1	
	17369	17369-KHC4-900	0	CLIP BREATHER TUBE	通氣管夾	1	
	18532	18532-6D34-671	0	CLIP AIR HOSE 21.5	環夾	1	
	18657	18657-LEE8-E00	3	TUBE B OIL CATCH	油管組	1	
	90111	90111-1G87-001	1	BOLT FLANGE 6MM	螺絲 6MM	2	
	90652	90652-LDG7-900	1	C-HOPE 10-59	管夾	2	
	90654	90654-LEE8-E00	1	BAND CONN TUBE	管夾	1	
	93903	93903-25460	0	SCREW TAPPING 4*12	螺釘 4*12	1	
	95002	95002-02150	0	CLIP B14.5 TUBE	管夾	1	
	95004	95004-LBA7-900	0	TUBE DRAIN	通氣管	1	

F14

Exhaust Muffler 排氣管



Sales mark	Ref no	Part no	Ver	Description	Reg description	Regd no	F14
	11203	11203-LDB5-E00	3	BUSH MUFFLER STAY	襯套	2	
	18291	18291-LBA2-E00	3	GASKET EXH PIPE	排氣管墊圈	1	
	18300	18300-LEE8-E00	12	MUFFLER COMP EXHAUST	排氣管組	1	
	18317	18317-LEE8-E00	1	PROTECTOR A COMP.MUFFLER	熱護蓋 A	1	
	18319	18319-LEE8-E00	1	PROTECTOR B COMP.MUFFLER	熱護蓋 B	1	
	18320	18320-LEE8-E00	11	PIPE EXHAUST	排氣接管	1	
	18371	18371-LBA2-E00	2	BAND MUFFLER	束環	1	
	18391	18391-LBA2-E00	1	GASKET	墊片	1	
	50218	50218-LEE8-E00	1	BRKT MUFFLER	排氣管支架	1	
	90111	90111-LEE8-E00	2	BOLT FLANGE 10X40	螺絲 10*40	1	
	90501	90501-PWA6-900	1	WASHER 12MM	華司 12MM	2	
	94001	94001-08080-0S	0	NUT HEX 8MM	螺帽 8MM	2	
	94050	94050-10060	0	NUT FLANGE 10MM	螺帽 10MM	1	
	94101	94101-06600	0	WASHER PLAIN 6MM (G)	墊圈 6MM	12	
#	94111	94111-06800	0	WASHER SPG 6MM	華司 6MM	4	
	95701-06012	95701-06012-00	0	BOLT FLANGE 6*12	螺絲 6*12	4	
	95701-10020	95701-10020-06	0	BOLT FLANGE 10*20	螺絲 10*20	2	
	95701-10040	95701-10040-08	0	BOLT FLANGE 10*40	螺絲 10*40	2	

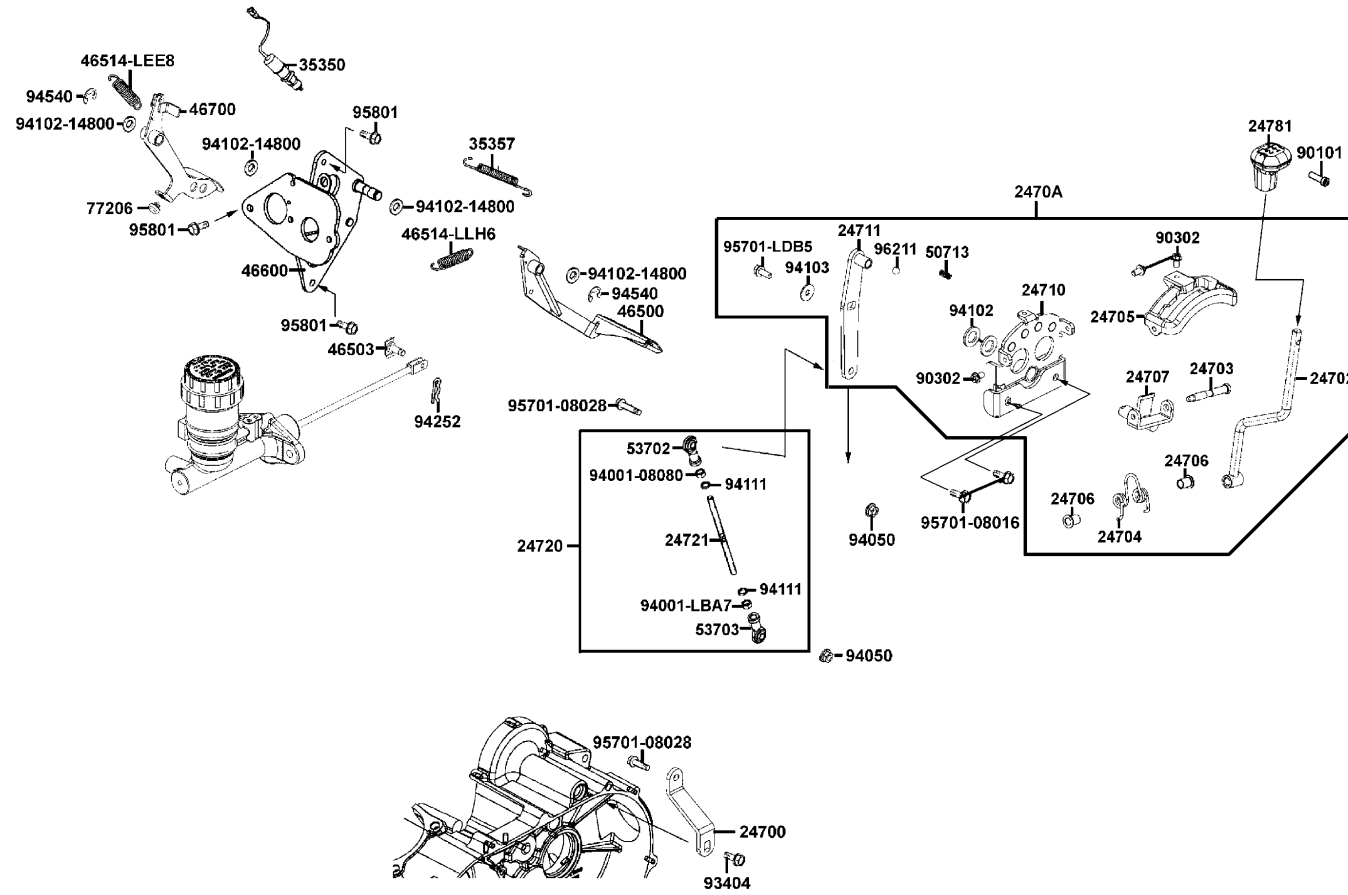


Sales mark	Ref no	Part no	Ver	Description	Reg description	Regd no	F15
	24700	24700-LEE8-E00	4	STAY SHIFT GUIDE	支架	1	
	24702	24702-LEE8-E00	4	ROD SHIFT LEVER	排檔桿握把	1	
	24703	24703-LDB5-E00	5	BOLT SHIFT LEVER	螺絲	1	
	24704	24704-LDB5-E00	2	SPRING SHIFT LEVER	彈簧	1	
	24705	24705-LEE8-E00	1	COVER SHIFT LEVER GUIDE	護蓋	1	
	24706	24706-LDB5-E00	1	COLLAR SHIFT LEVER	套筒	2	
	24707	24707-LDB5-E00	6	BRKT SHIFT LEVER	托架	1	
	2470A	2470A-LEE8-E00	3	SHIFTER ASSY	排檔桿組	1	
	24710	24710-LEE8-E00	4	STAY SHIFTER	支架	1	
	24711	24711-LEE8-E00	3	STAY UPPER SHIFT GUIDE	支架	1	
	24720	24720-LEE8-E00	2	ROD ASSY SHIFT	換檔桿組	1	
	24721	24721-LEE8-E00	1	ROD SHIFT	換檔把手連桿	1	
	24781	24781-LEE8-E00	2	COVER CHANGE HANDLE	踏板橡皮	1	
	35350	35350-LBA7-900	6	REAR STOP SW	煞車燈後置開關	1	
	35357	35357-KGC4-E00	2	SPG STOP SW	煞車燈開關彈簧	1	
	46500	46500-LEE8-E00	4	PEDAL BRAKE	煞車踏板	1	
	46503	46503-LEE8-E00	2	RIN COMP BRK ROD	煞車踏板支架	1	
	46514-LEE8	46514-LEE8-E00	3	SPRING THROT PEDAL	彈簧	1	
	46514-LLH6	46514-LLH6-M30	3	SPRING BRAKE ARM	拉伸彈簧	1	
	46600	46600-LEE8-E00	4	STAY PEDAL ASSY	支架	1	

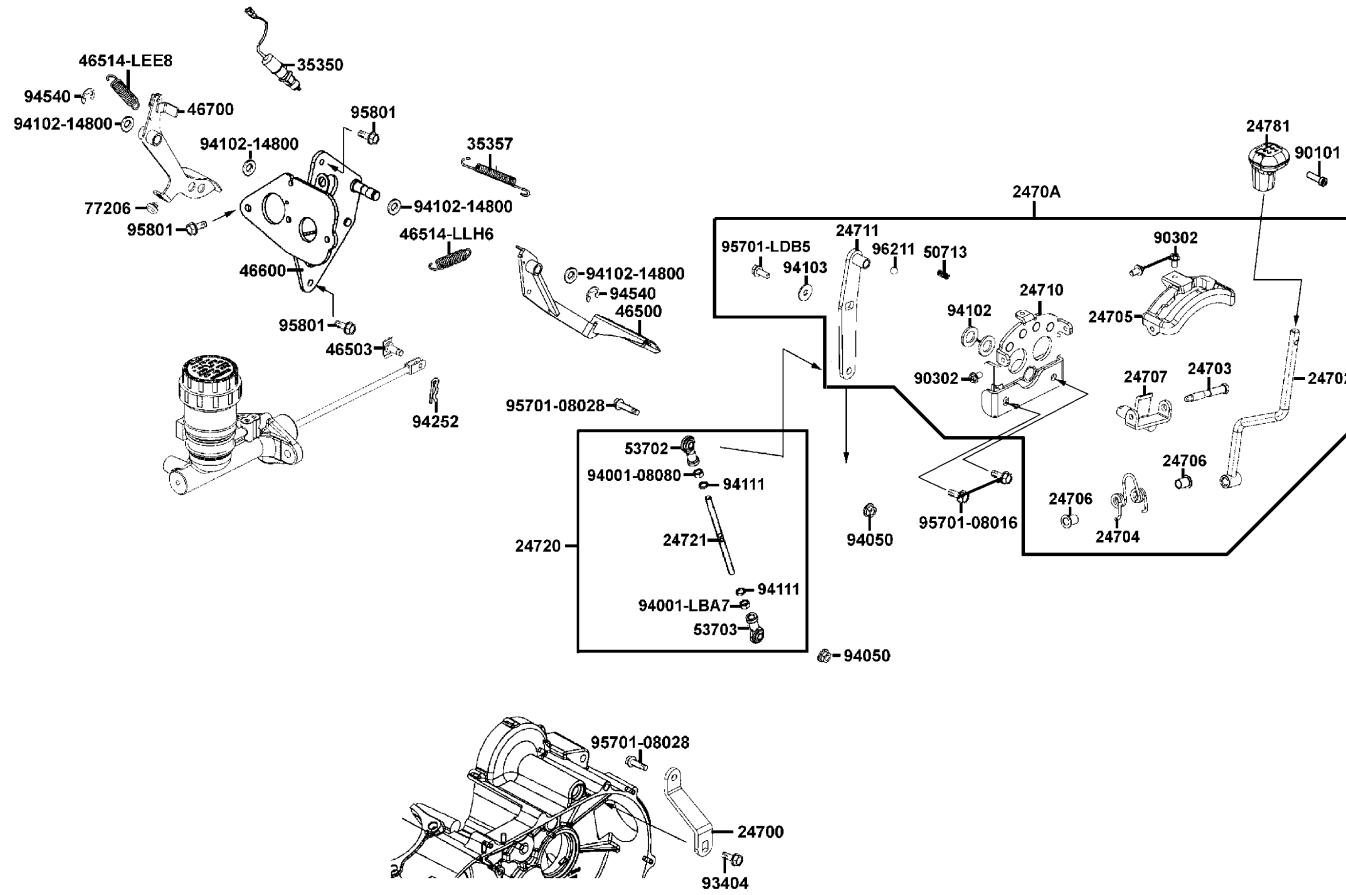
F15

Shifter Assy

轉換器組



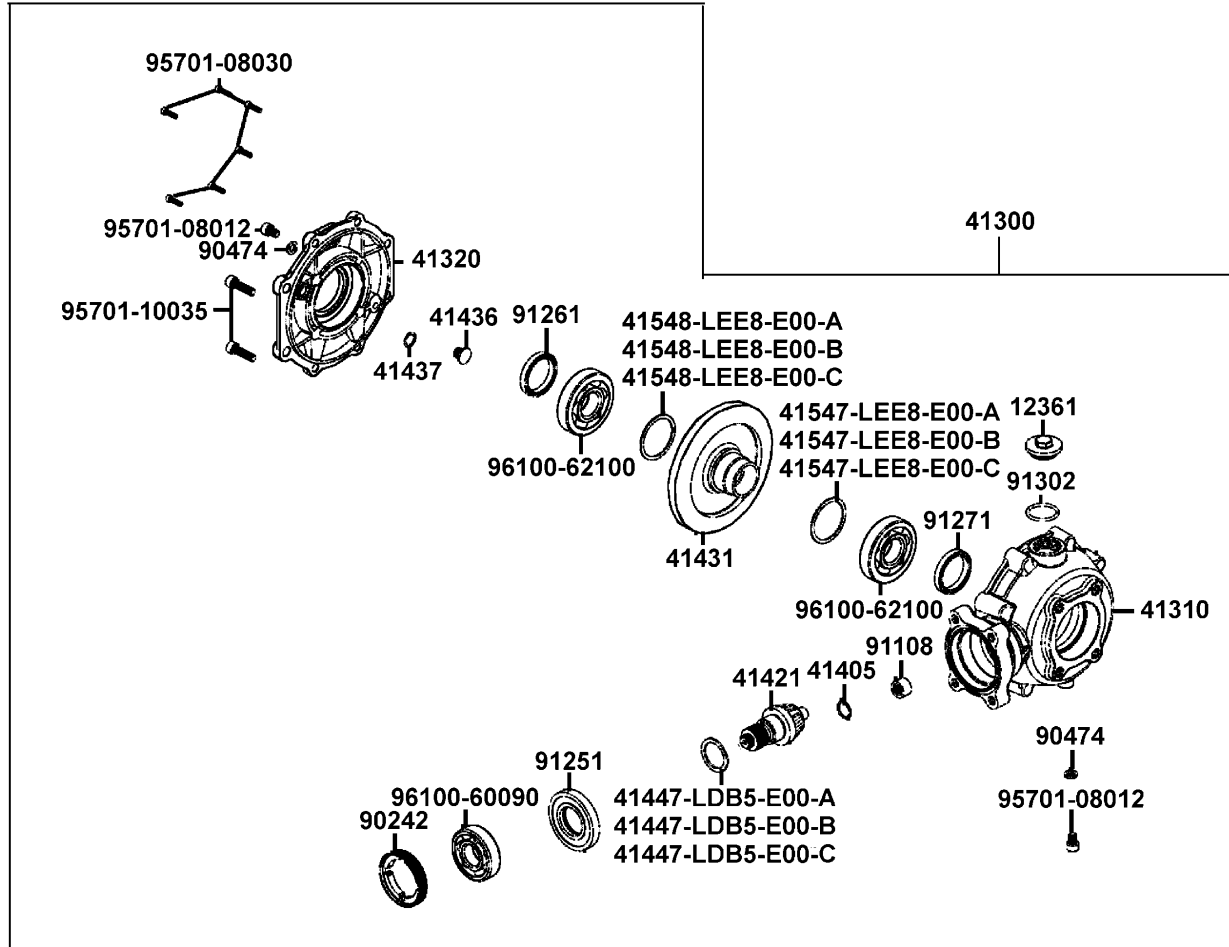
Sales mark	Ref no	Part no	Ver	Description	Reg description	Regd no	F15
	46700	46700-LEE8-E00	2	PEDAL THROT	節流閥連動桿	1	
	50713	50713-LDB5-E00	1	SPRING	彈簧	1	
	53702	53702-LBA7-900	1	JOINT R BALL	排檔連動桿右接頭	1	
	53703	53703-LBA7-900	1	JOINT L BALL	排檔連動桿左接頭	1	
	77206	77206-KEB7-900	0	RUBBER SEAT CUSH	橡皮	1	
	90101	90101-LCA5-E00	2	SOCKET BOLT 5X12	螺絲 5*12	1	
	90302	90302-LLB1-E00	2	BOLT-WASHER 5*12	螺絲 5X12	3	
#	93404	93404-06012-06	0	BOLT WASH 6*12	螺絲 6*12	1	
	94001-08080	94001-08080-0S	0	NUT HEX 8MM	螺帽 8MM	1	
	94001-LBA7	94001-LBA7-900	1	NUT HEX LH 8MM	左牙螺帽 8MM	1	
	94050	94050-08060	0	NUT FLANGE 8MM	螺帽8MM	2	
	94102-14800	94102-14800	0	WASHER PLAIN 14*26*2.3	華司 14*26*2.3	4	
	94102-LDB5	94102-LDB5-E00	1	WASHER PLAIN 14MM	華司 14MM	2	
	94103	94103-06800	0	WASH PLAIN 6MM	華司 6MM	1	
	94111	94111-08800	0	WASHER SPG 8MM	彈簧華司	2	
	94252	94252-08000	1	LOCK PIN 8MM	叉銷	1	
	94540	94540-12028	0	E RING 12	E型環	2	
	95701-08016	95701-08016-06	0	BOLT FLANGE 8*16	螺絲 6X16	2	
#	95701-08028	95701-08028-06	1	BOLT FLANGE 8*28	螺絲 8*28	2	
	95701-LDB5	95701-LDB5-E00	1	BOLT FLANGE 6*16	螺絲 6*16	1	



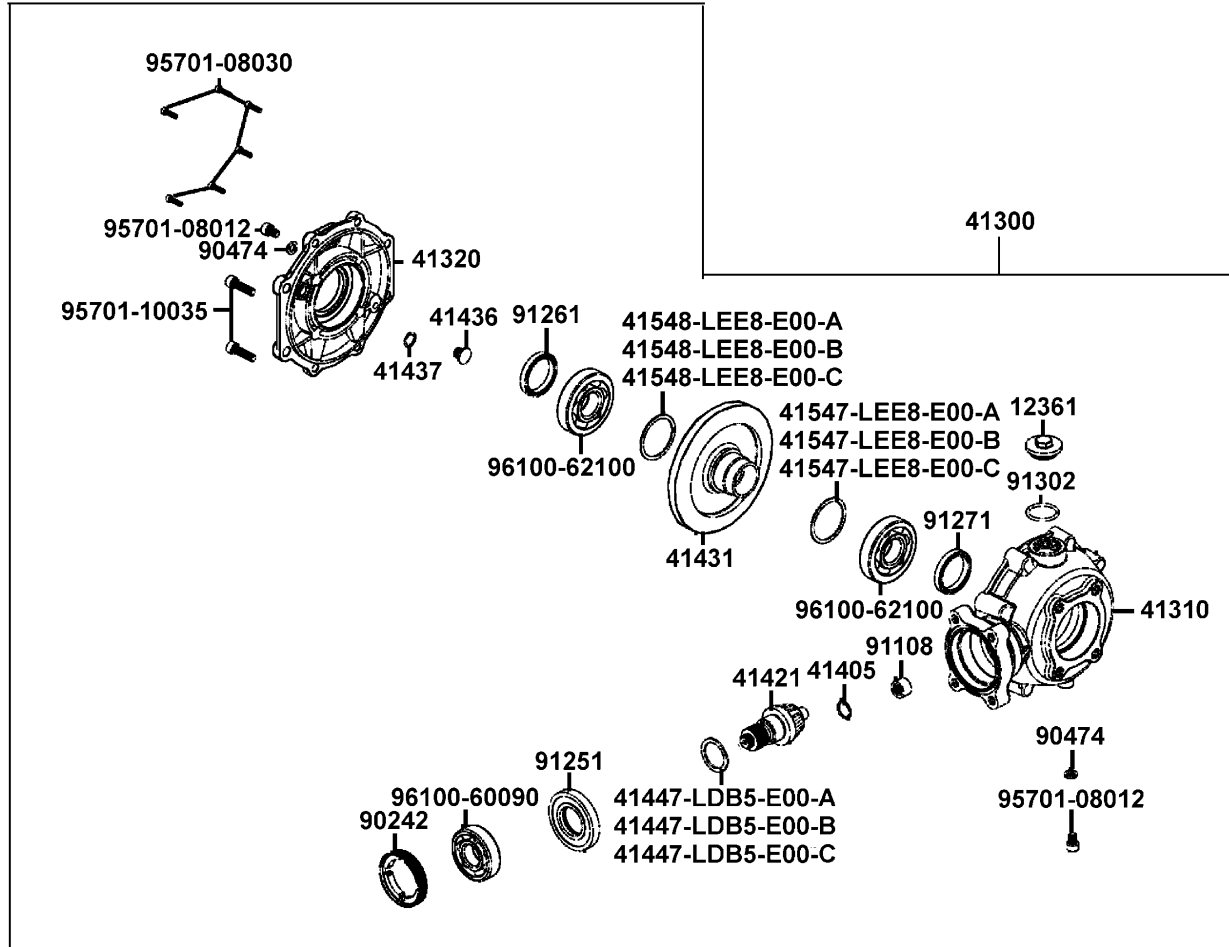
Sales mark	Ref no	Part no	Ver	Description	Reg description	Regd no	F15
	95801	95801-08016-06	0	BOLT FLANGE 8*16	螺絲 8*16	3	
#	96211	96211-08000	0	BALL STEEL 8MM	鋼珠 8MM	1	

Sales mark	Ref no	Part no	Ver	Description	Reg description	Regd no	F16
	42200	42200-LEE8-E00	4	CVJ ASSY R RR	後右傳動軸	1	
	42250	42250-LEE8-E00	3	CVJ ASSY L RR	後左傳動軸	1	
	47403	47403-LDB5-E00	2	COLLAR DISTANCE	轉向軸套	1	
	47450	47450-LEE8-E00	4	KNUCKLE ASSY RR	後大王銷組	2	
	47453	47453-LEE8-E00	2	BUSH RR KNUCKLE	後大王銷軸襯	4	
	47454	47454-LEE8-E00	1	COLLAR RR KNUCKLE	後大王銷軸套	2	
	52243	52243-KEC8-900	0	DUST SEAL RR CUSH ARM A	防塵蓋 A	4	
**	52400	52400-LEE8-E00	8	CUSHION ASSY RR	後避震器組	2	
	53402	53402-LEE8-E00	1	BEARING SPHERICAL PLAIN	球面軸承	8	
	53403	53403-LEE8-E00	2	COLLAR SWING ARM	軸套	16	
	53404	53404-LEE8-E00	1	DUST SEAL 16*30*4.5	油封	16	
**	54400	54400-LEE8-E00	4	ARM ASSY RR SWING UP	後上A臂組	1	
**	54450	54450-LEE8-E00	6	ARM ASSY RR R SWING LOW	後右下A臂組	1	
**	54500	54500-LEE8-E00	2	ARM ASSY RR L SWING UP	後左上A臂組	1	
**	54550	54550-LEE8-E00	6	ARM ASSY RR L SWING LOW	後左下A臂組	1	
	54600	54600-LEE8-900	1	BAR STABILIZER	扭力拉桿	1	
	54601	54601-LEE8-E00	3	BUSH STABILIZER	扭力拉桿軸套	2	
	54602	54602-LEE8-E00	1	COVER STABILIZER	扭力拉桿蓋	2	
	54610	54610-LEE8-E00	4	JOINT STABILIZER R	右扭力拉桿連桿	1	
	54620	54620-LEE8-E00	4	JOINT STABILIZER L	左扭力拉桿連桿	1	

Sales mark	Ref no	Part no	Ver	Description	Reg description	Regd no	F16
	90304	90304-GHE8-004	0	NUT U 10MM	螺帽 10MM	22	
	91254	91254-LDB5-E00	3	SEAL DUST CVJ 38*55*7	油封 38*55*7	1	
	91256	91256-LDB5-E00	1	OIL SEAL 35*90*7	油封 35*90*7	1	
	95002	95002-41150-00	0	CLIP D11.5 TUBE	管夾	1	
	95007	95007-LEE8-E00	2	HOSE VENT GEARCASE	通氣管	1	
	95701	95701-10020-06	0	BOLT FLANGE 10*20	螺絲 10*20	4	
	95801-10050	95801-10050-06	1	BOLT FLANGE 10*50	特殊螺絲 10*50	2	
	95801-10060	95801-10060-06	0	BOLT FLANGE 10*60	螺絲 10*60	2	
	95801-10130	95801-10130-06	0	BOLT FLANGE 10*130	螺帽 10*130	2	
	95801-LCA5	95801-LCA5-900	1	BOLT FLANGE 10*70	螺帽 10*70	8	
	95801-LEE8	95801-LEE8-E00	1	BOLT FLANGE 10*100	螺帽 10*100	4	
	96100	96100-60060-00	0	BEARING BALL RADIAL 6006	軸承 6006	2	
	96201	96201-10000	0	NIPPLE CREASE	黃油嘴	2	



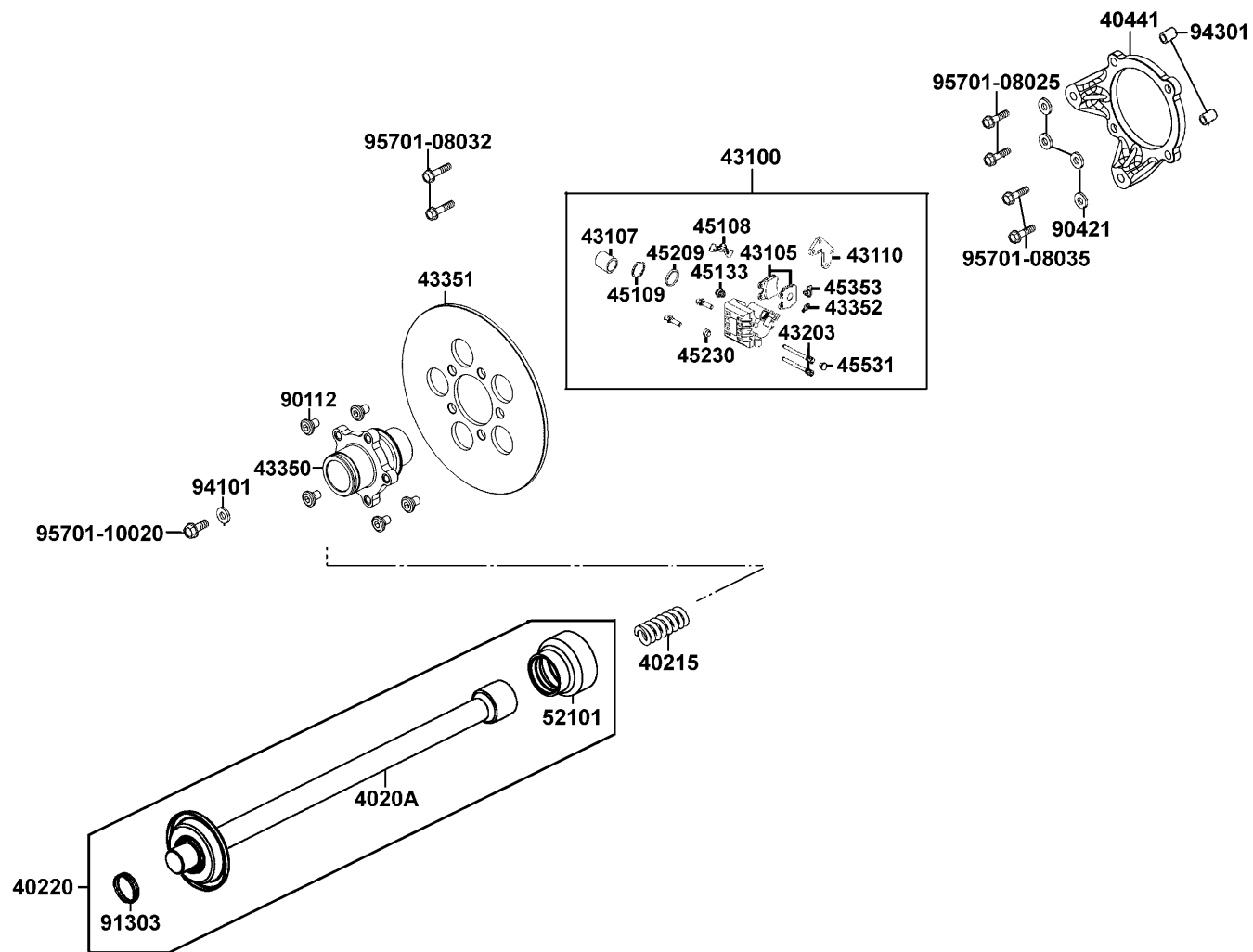
Sales mark	Ref no	Part no	Ver	Description	Reg description	Regd no	F17
	12361	12361-GFY6-901	1	HOLE CAP TAPPET ADJUSTING	調節螺帽	1	
	41300	41300-LEE8-E00	6	GEAR ASSY RR FINAL	最終傳動齒輪組	1	
	41310	41310-LEE8-E00	4	L SIDE CASE RR	最終左側蓋	1	
	41320	41320-LEE8-E00	3	R SIDE CASE RR FINAL	最終右側蓋	1	
	41405	41405-LEE8-E00	2	RING STOPPER	止位環	1	
	41421	41421-LEE8-E00	3	GEAR PINION	傳動小齒輪	1	
	41431	41431-LEE8-E00	3	GEAR RING	環狀齒輪	1	
	41436	41436-LCD9-E00	2	PIN RING GEAR STOPPER	插銷	1	
	41437	41437-LCD9-E00	2	SHIM STOPPER PIN	墊片	1	
	41447-LDB5-E00-A	41447-LDB5-E00-A	2	SHIM PINION GEAR A	調整墊片A	1	
	41447-LDB5-E00-B	41447-LDB5-E00-B	2	SHIM PINION GEAR B	調整墊片B	1	
	41447-LDB5-E00-C	41447-LDB5-E00-C	2	SHIM PINION GEAR C	調整墊片C	1	
	41547	41547-LEE8-E00	2	SHIM A RING GEAR	調節墊片	1	
	41548-LEE8-E00-A	41548-LEE8-E00-A	2	SHIM B RING GEAR	調節墊片	1	
	41548-LEE8-E00-B	41548-LEE8-E00-B	2	SHIM B RING GEAR	調節墊片	1	
	41548-LEE8-E00-C	41548-LEE8-E00-C	2	SHIM B RING GEAR	調節墊片	1	
	90242	90242-LEE8-E00	0	NUT LOCK 74MM	螺帽	1	
	90474	90474-3C33-001	1	WASHER 8MM	華司	2	
	91108	91108-LEE8-E00	1	BRG NEEDLE 20*22*28 (HK2220)	滾針軸承	1	
	91251	91251-LEE8-E00	3	OIL SEAL 38.5*80*10	油封 38.5*80.10	1	



Sales mark	Ref no	Part no	Ver	Description	Reg description	Regd no	F17
	91261	91261-LEE8-E00	3	OIL SEAL 48*92*10	油封 48*92*10	1	
	91271	91271-LEE8-E00	3	OIL SEAL 47*68*10	油封 47*68*10	1	
	91302	91302-0A01-021	0	O-RING 30.8M/M	O環 30.8MM	1	
	95701-08012	95701-08012-08	0	BOLT FLANGE 8*12	螺絲 8*12	2	
	95701-08030	95701-08030-08	0	BOLT FLANGE 8*30	螺絲 8*30	6	
	95701-10035	95701-10035-08	0	BOLT FLANGE 10*35	螺絲 10*35	2	
	96100-60090	96100-60090-00	2	BRG RADIAL BALL 6009	軸承 6009	1	
	96100-62100	96100-62100-00	0	BEARING BALL RADIAL 6210	軸承	2	

F18

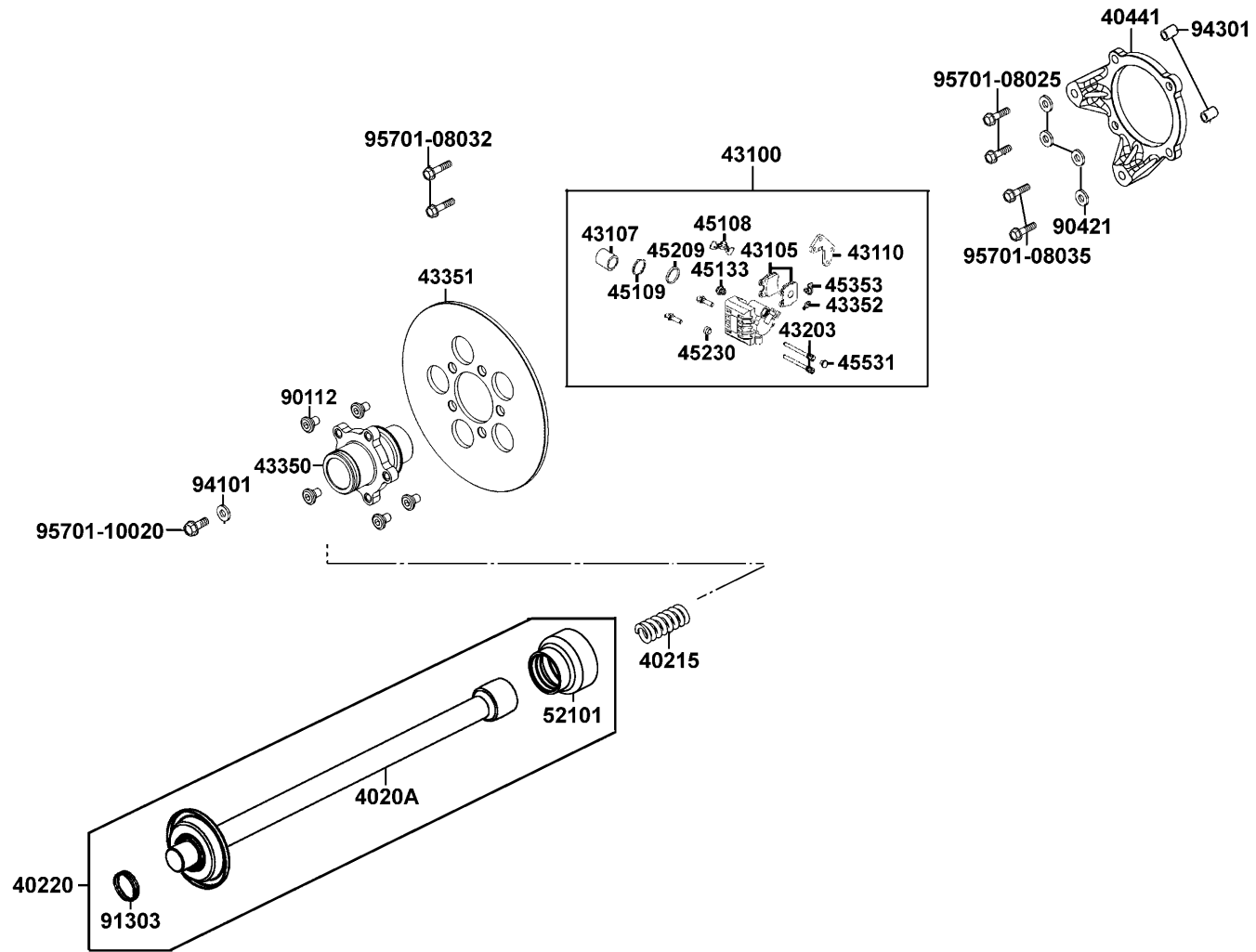
Caliper Assy Rear 後煞車卡鉗



Sales mark	Ref no	Part no	Ver	Description	Reg description	Regd no	F18
	4020A	4020A-LEE8-E00	0	SHAFT REAR PROPELLER	後叉軸	1	
	40215	40215-LEE8-E00	2	SPRING RR PROPELLER	彈簧	1	
	40220	40220-LEE8-E00	8	SHAFT ASSY REAR	後軸	1	
	40441	40441-LEE8-E00	6	BRACKET CALIPER	卡鉗托架	1	
**	43100	43100-LEE8-E00	3	CALIPER ASSY REAR	後煞車卡鉗	1	
	43105	43105-LEE8-305	0	PAD ASSY	後煞車磨擦板組	1	
	43107	43107-LEE8-E00	0	PISTON	活塞	1	
	43110	43110-LEE8-305	0	BRACKET ASSY	後煞車卡鉗托架	1	
	43203	43203-LEE8-E00	0	PIN HANGER	插銷	2	
	43350	43350-LEE8-E00	4	HOLDER DISK RR BRK	後煞車碟架	1	
	43351	43351-LEE8-E00	4	DISK RR BRK	後煞車碟盤	1	
	43352	43352-KKD6-E90	1	SCREW BLEEDER	加油嘴	1	
	45108	45108-LBA7-900	0	SPRING PAD	摩擦板彈簧	1	
	45109	45109-PWA1-900	0	DUST SEAL	防塵油封	1	
	45133	45133-LBA7-900	0	BOOT A	襯套 A	1	
	45209	45209-PWA1-900	0	SEAL PISTON	活塞油封	1	
	45230	45230-LBA7-900	0	BUSH PIN	襯套	1	
	45353	45353-LBA7-900	0	CAP BLEEDER	加油嘴蓋	1	
	45531	45531-LBA7-900	0	PLUG	塞蓋	1	
	52101	52101-LEE8-E00	5	BOOT REAR PROPELLER SHAFT	後叉套筒	1	

F18

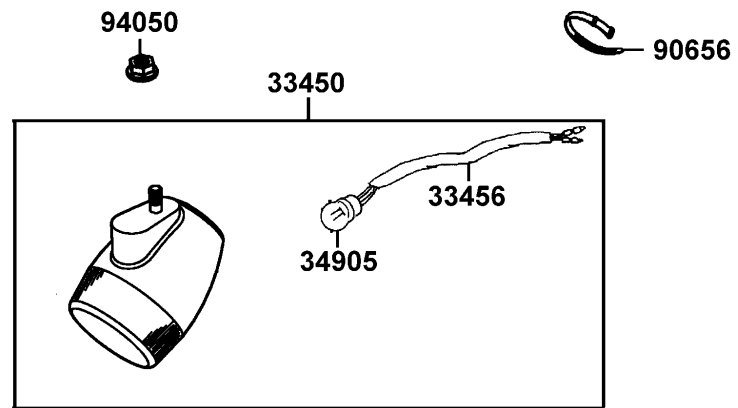
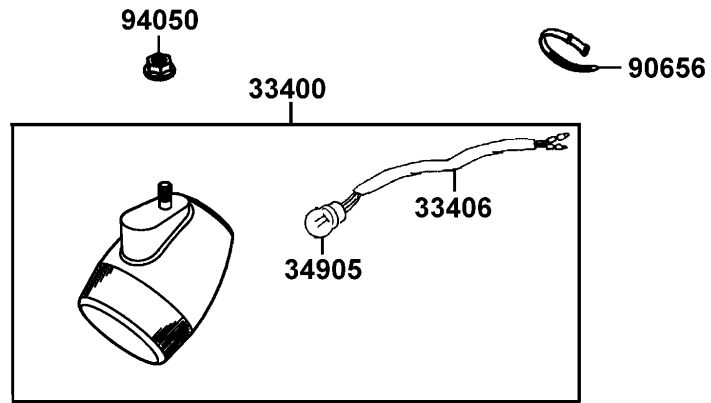
Caliper Assy Rear 後煞車卡鉗



Sales mark	Ref no	Part no	Ver	Description	Reg description	Regd no	F18
	90112	90112-LBD4-800	1	BOLT DISK	螺絲	5	
	90421	90421-KAM1-004	0	WASHER SEALING 8*16*1.6	華司 8X16X1.6	4	
	91303	91303-LDB5-E00	1	O-RING 22MM	O環 22MM	1	
	94101	94101-10800	0	WASHER PLAIN 10MM	華司 10MM	1	
	94301	94301-10120	0	DOWEL PIN 10*12	定位銷 10*12	2	
	95701-08025	95701-08025-06	0	BOLT FLANGE 8*25	螺絲 8*25	2	
	95701-08032	95701-08032-06	0	BOLT FLANGE 8*32	螺絲 8X32	2	
#	95701-08035	95701-08035-06	1	BOLT FLANGE 8*28	螺絲 8*28	2	
	95701-10020	95701-10020-06	0	BOLT FLANGE 10*20	螺絲 10*20	1	

F19

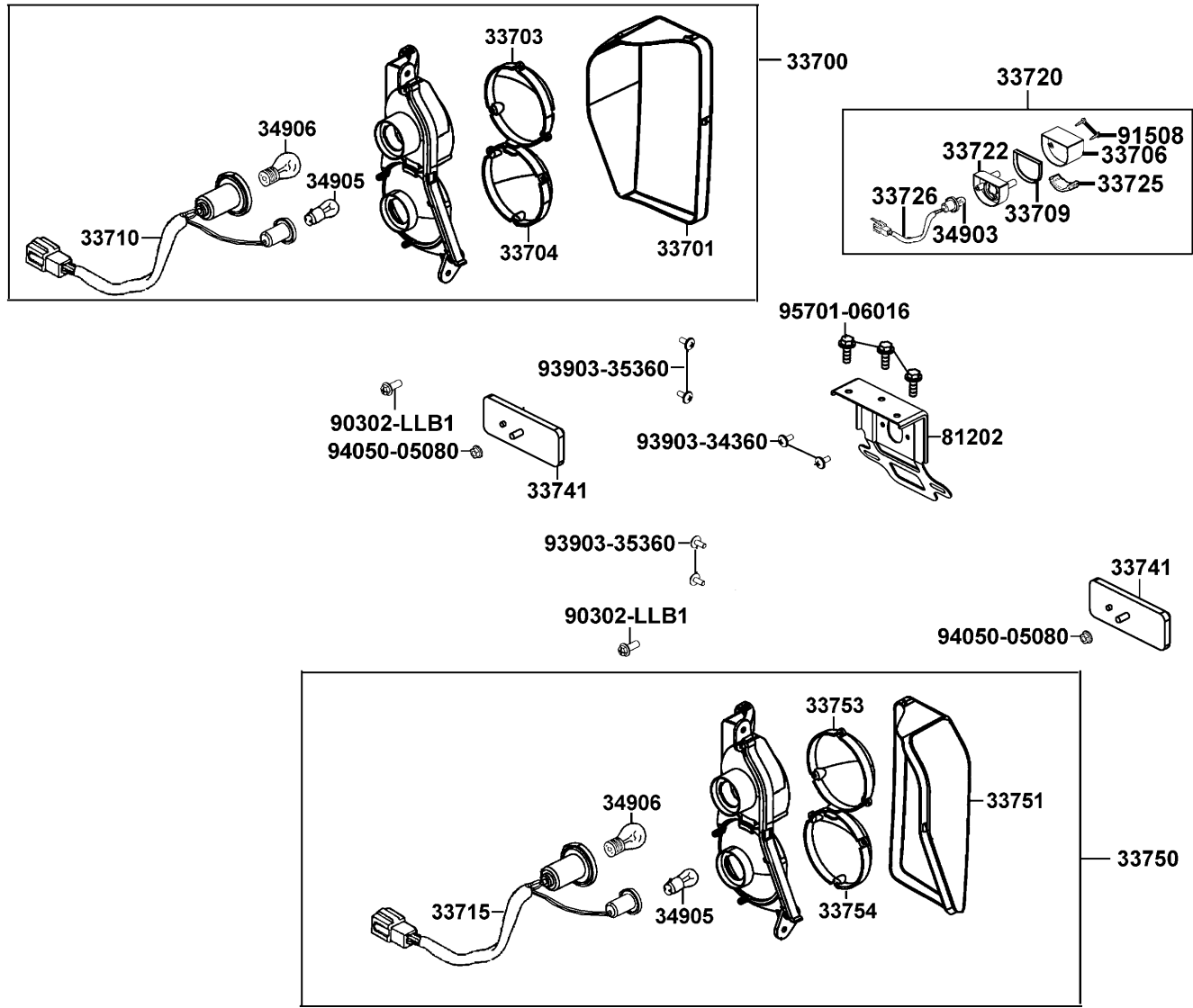
Light Winker 方向燈



Sales mark	Ref no	Part no	Ver	Description	Reg description	Regd no	F19
	33400	33400-LEE8-E01	1	WINKER ASSY R FR	右前方向燈組	1	
	33406	33406-LEE8-E00	0	SOCKET R COMP	右前方向燈配線	1	
	33450	33450-LEE8-E01	1	WINKER ASSY L FR	左前方向燈組	1	
	33456	33456-LEE8-E01	0	SOCKET L COMP	左前方向燈配線	1	
	34905	34905-LBA7-E00	0	BULB WINKER 12V10W	方向燈燈泡	2	
#	90656	90656-KCBC-900	0	BAND OIL HOSE	油管束帶	2	
	94050	94050-05060	0	NUT FLANGE 5MM	螺帽 5MM	2	

F20

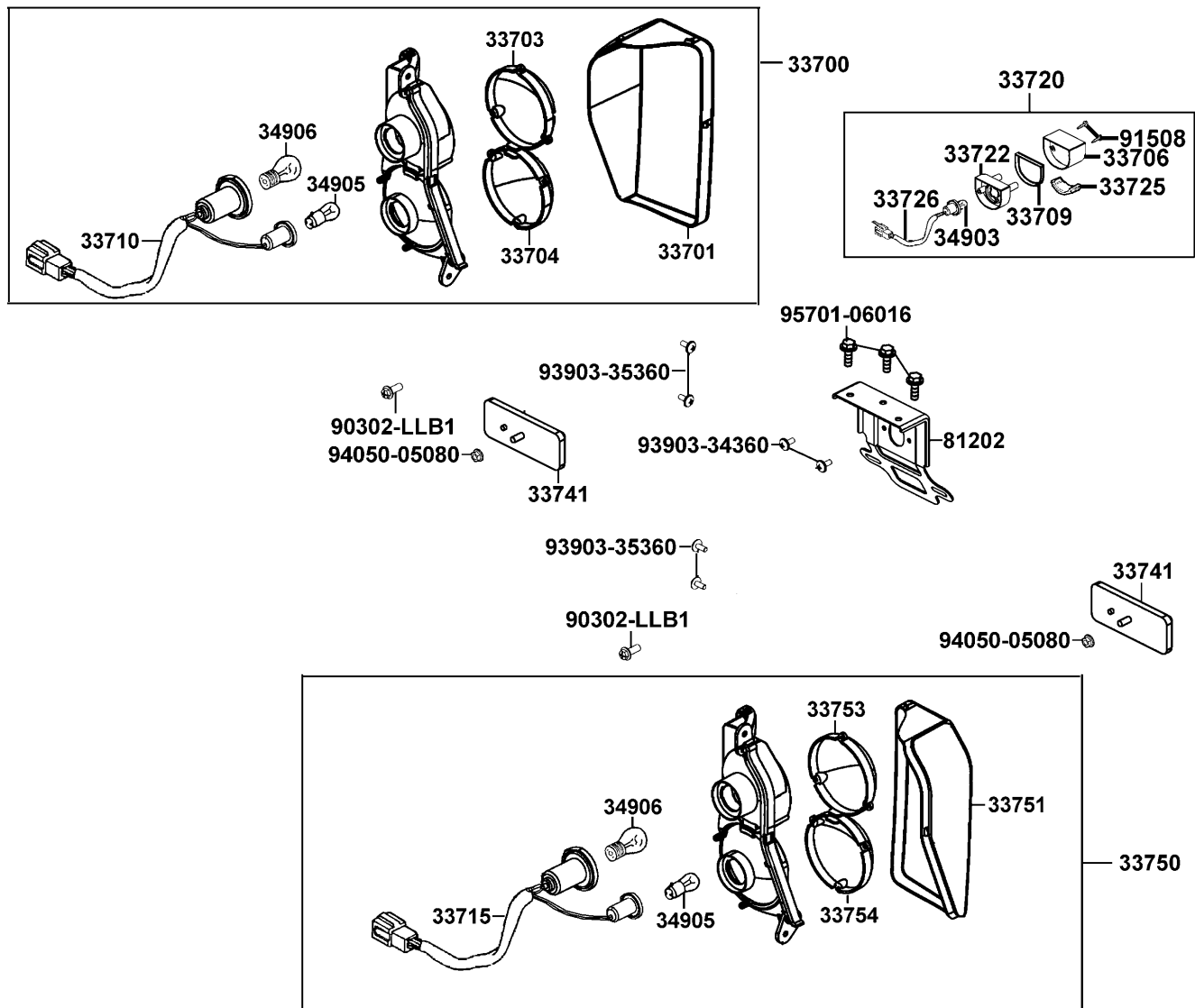
Light Tail 後燈



Sales mark	Ref no	Part no	Ver	Description	Reg description	Regd no	F20
	33700	33700-LEE8-E00	1	LIGHT ASSY R RR COMB	右後燈組	1	
	33701	33701-LEE8-E00	0	UNIT TAIL LIGHT R	右後燈外燈殼組	1	
	33703	33703-LEE8-E00	0	INNER LENS TAIL LIGHT R	右後燈燈殼	1	
	33704	33704-LEE8-E00	0	INNER LENS WINKER R	右後方向燈燈殼	1	
	33706	33706-GCN3-67A	0	COVER LICENSE	後牌照燈蓋	1	
	33709	33709-KBAB-003	0	PACKING LICENSE	牌照燈墊圈	1	
	33710	33710-LEE8-E00	0	SOCKET COMP R RR COMB	右後燈配線	1	
	33715	33715-LEE8-E00	0	SOCKET COMP L RR COMB	左後燈配線	1	
	33720	33720-LCA5-E00	1	LIGHT ASSY LICENSE	後牌照燈組	1	
	33722	33722-KHB4-E00	0	BASE LICENSE	牌照燈座	1	
	33725	33725-KHB4-E00	0	LENS LICENSE	牌照燈殼	1	
	33726	33726-LCA5-E00	0	SOCKET COMP	後牌照燈配線	1	
	33741	33741-KHC5-M00	0	REFLEX REFLECTOR	反光鏡片	2	
	33750	33750-LEE8-E00	1	LIGHT ASSY L RR COMB	左後燈組	1	
	33751	33751-LEE8-E00	0	UNIT TAIL LIGHT L	左後燈外燈殼組	1	
	33753	33753-LEE8-E00	0	INNER LENS TAIL LIGHT L	左後燈燈殼	1	
	33754	33754-LEE8-E00	0	INNER LENS WINKER L	左後方向燈燈殼	1	
	34903	34903-KPCP-900	0	BULB POSITION	位置燈燈泡	1	
	34905	34905-LCA5-E00	0	BULB WINKER 12C5W	燈泡	2	
	34906	34906-KPCP-900	0	BULB TAIL & STOP 12V21W/5W	後燈燈泡	2	

F20

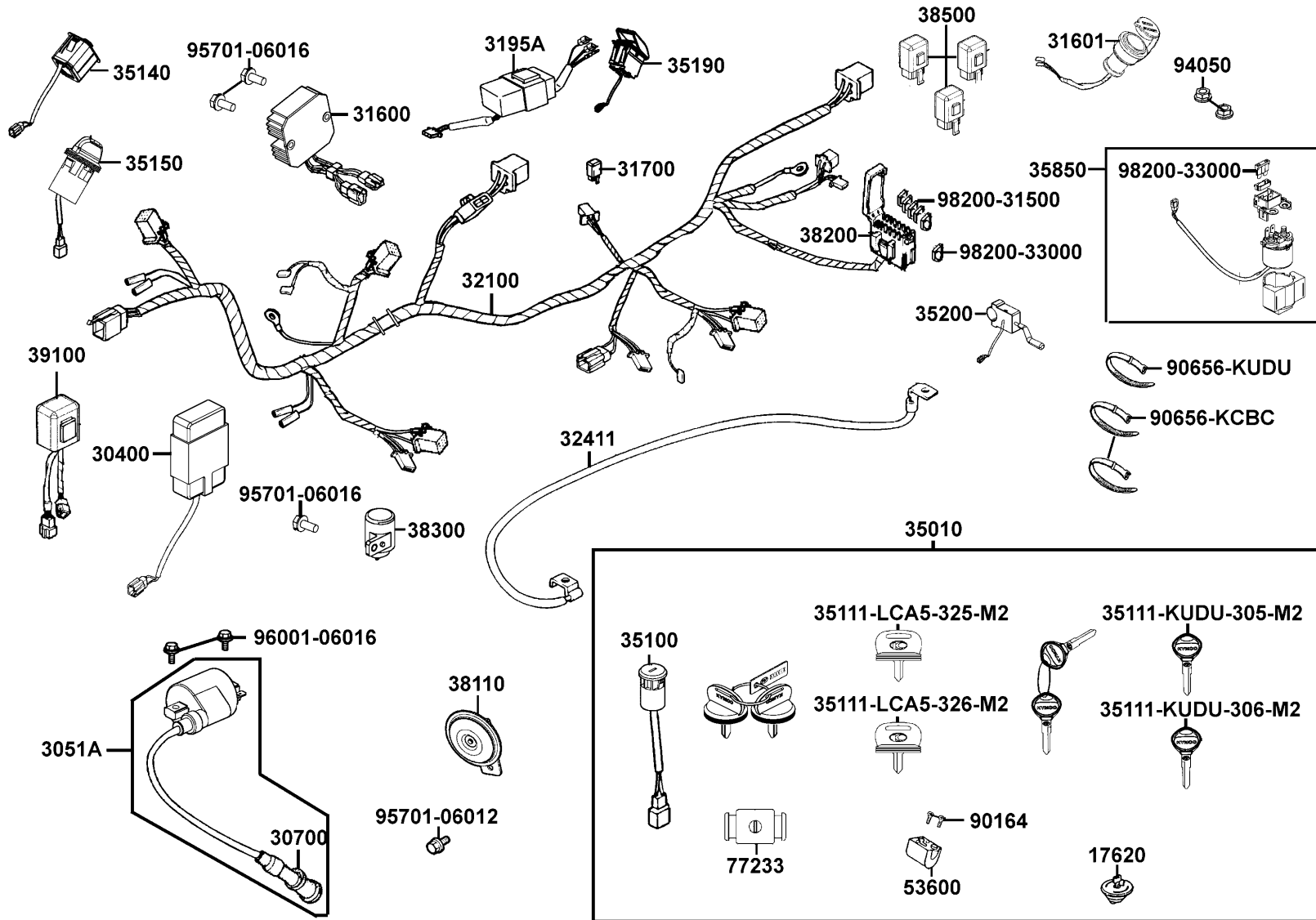
Light Tail 後燈



Sales mark	Ref no	Part no	Ver	Description	Reg description	Regd no	F20
	81202	81202-LEE8-E00	1	STAY NUMBER PLATE	牌照支架	1	
	90302	90302-LLB1-E00	2	BOLT-WASHER 5*12	螺絲 5X12	2	
	91508	91508-KGV7-67A	0	SCREW TAPPING 4*14	螺絲 4*14	2	
	93903-34360	93903-34360	0	SCREW TAPPING 4*12	螺絲 4*12	2	
	93903-35360	93903-35360	0	SCREW TAPPING 5*16	螺釘 5*16	4	
#	94050	94050-05080	0	NUT FLANGE 5MM	螺帽 5MM	2	
#	95701	95701-06016-06	0	BOLT FLANGE 6*16	螺絲 6*16	3	

F21

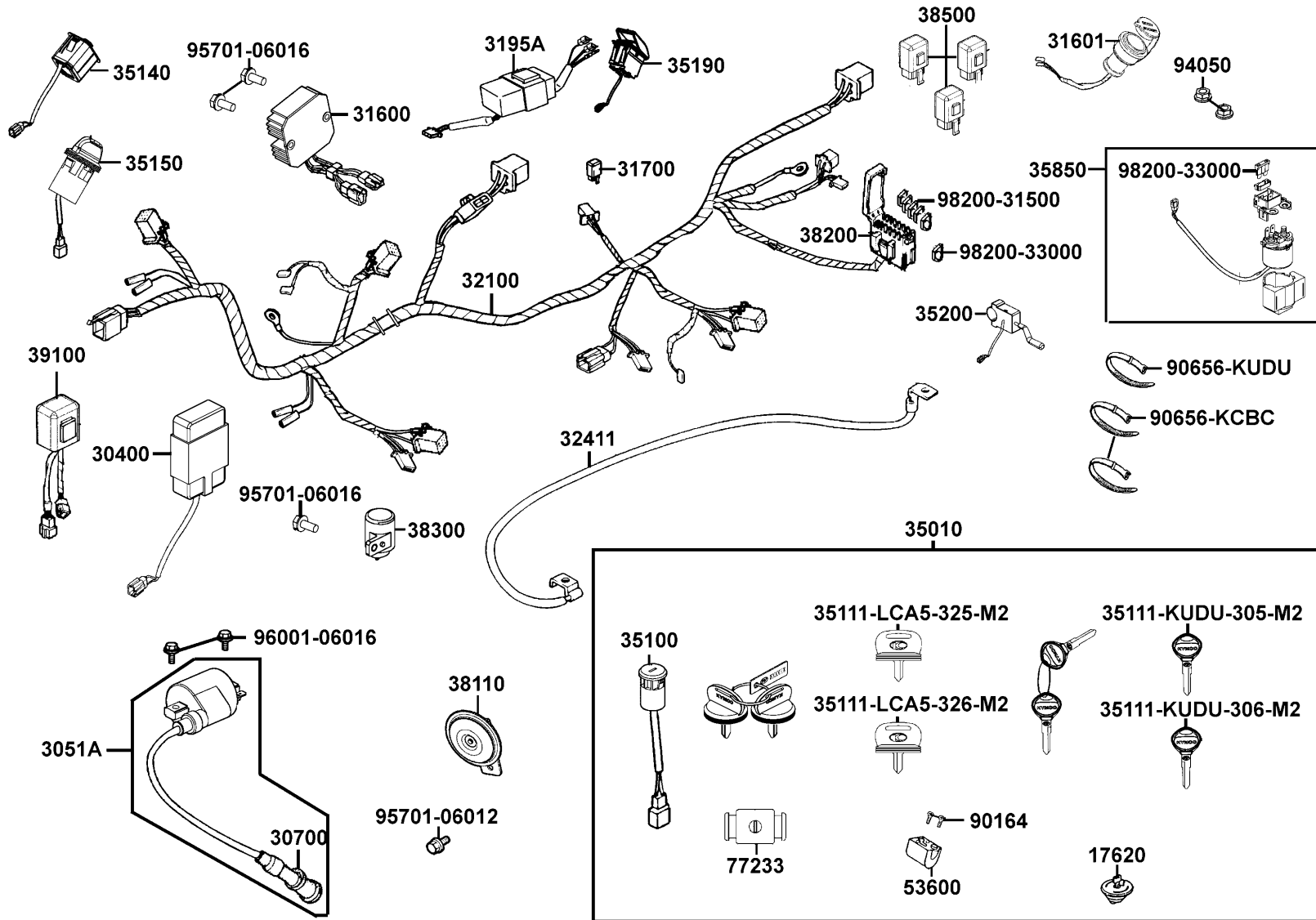
Harness Wire 主電路配線



Sales mark	Ref no	Part no	Ver	Description	Reg description	Regd no	F21
	17620	17620-KGBG-345	0	CAP COMP FUEL FILLER	油箱蓋	1	
	30400	30400-LEE8-E00	2	UNIT ASSY IGNITION	CDI	1	
	3051A	3051A-LEE8-E00	2	COIL ASSY IGNITION	點火線圈	1	
	30700	30700-LDB5-E00	2	CAP ASSY NOISE SUPPRESOR	火星塞蓋	1	
	31600	31600-LDB5-E00	5	REG REC COMP	整流器	1	
	31601	31601-LDB5-E00	4	SOCKET COMP DC 12V	充電座	1	
	31700	31700-KEC8-E00	1	RECTIFIER COMP DIODE	二極整流器	1	
	3195A	3195A-LBA7-E00	1	HAZARD CONTROL ASSY	控制組	1	
	32100	32100-LEE8-E00	8	HARNES WIRE	主配線	1	
	32411	32411-LEE8-E00	3	CABLE BAT	導線	1	
	35010	35010-LEE8-E00	3	KEY SET	鎖匙組	1	
	35100	35100-LEE8-325	1	SW ASSY COMB & START	鎖頭	1	
	35111-KUDU-305-	35111-KUDU-305-M2	0	KEY COMP	未加工鎖匙	1	
	35111-KUDU-306-	35111-KUDU-306-M2	0	KEY COMP	未加工鎖匙	1	
	35111-LCA5-325-	35111-LCA5-325-M2	0	KEY COMP(FOR SERVICE)	鎖匙右切	1	
	35111-LCA5-326-	35111-LCA5-326-M2	0	KEY COMP(FOR SERVICE)	鎖匙左切	1	
	35140	35140-LEE8-E00	1	SW UNIT 2WD/4WD	2WD/4WD開關	1	
	35150	35150-LEE8-E00	0	SW UNIT LIGHTING	前燈開關組	1	
	35190	35190-LEE8-E00	1	SW UNIT HAZARD	警示燈開關	1	
	35200	35200-LEE8-E00	2	SW ASSY WINKER	方向燈開關組	1	

F21

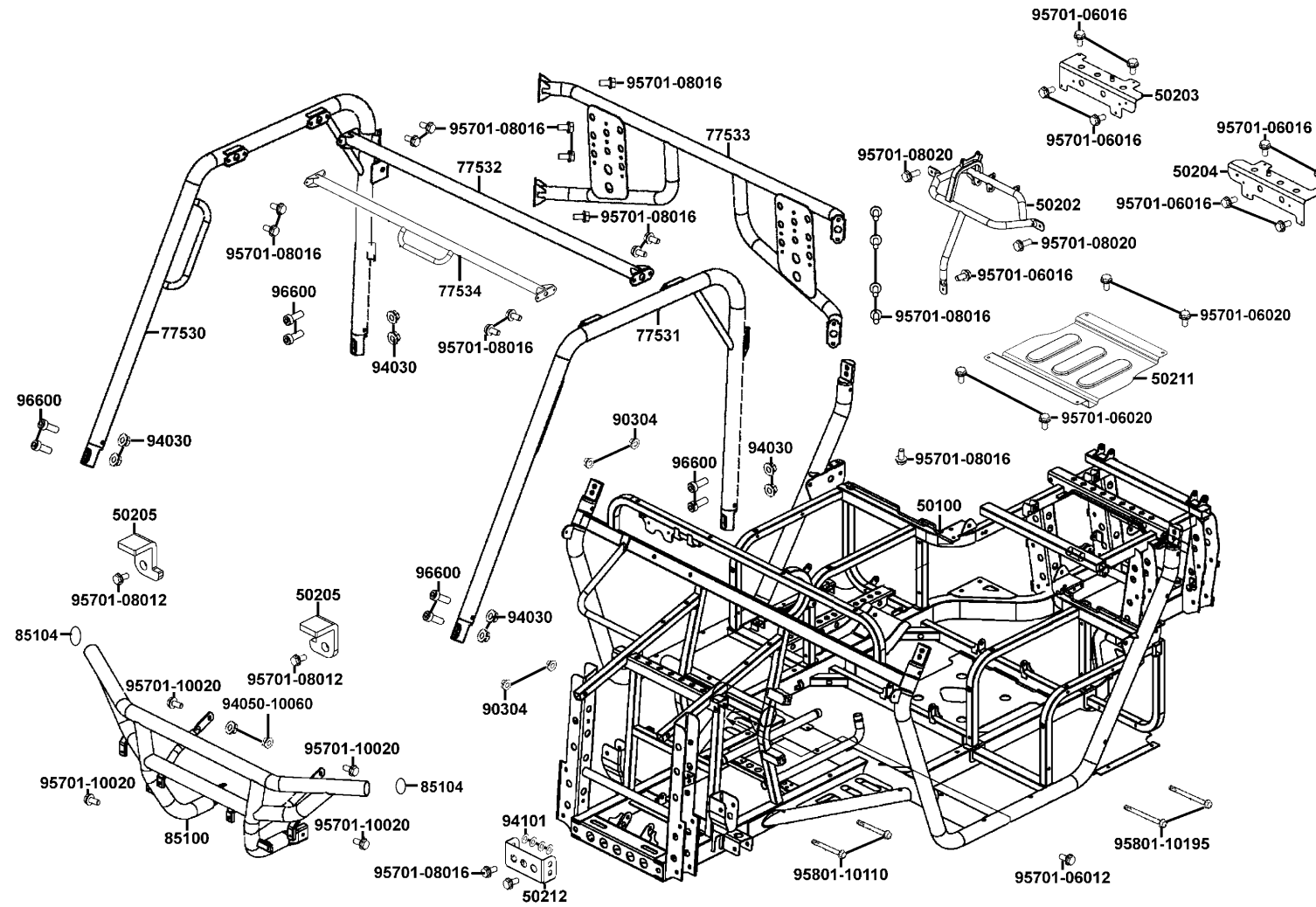
Harness Wire 主電路配線



Sales mark	Ref no	Part no	Ver	Description	Reg description	Regd no	F21
	35850	35850-LDB5-E00	1	SET START MAG	起動開關組	1	
	38110	38110-LDB5-E00	1	HORN COMP	喇叭	1	
	38200	38200-KHE7-900	0	BOX COMP FUSE	保險絲空盒	1	
#	38300	38300-LBC6-90A	2	RELAY COMP WINKER	方向燈繼電器	1	
	38500	38500-KHD8-900	0	RELAY ASSY LIGHT	繼電器	3	
	39100	39100-LBA7-E00	1	EMI FILTER FAN MOTOR	風扇馬達濾清器	1	
	53600	53600-LEE8-325	0	LOCK STEERING HANDLE	轉向手把鎖	1	
	77233	77233-KBCB-345	1	LOCK ASSY INNER BOX	置物箱鎖	1	
	90164	90164-0H28-900	2	SCREW FLAT U LOCK 6*12	特殊螺絲 6*12	2	
#	90656-KCBC	90656-KCBC-900	0	BAND OIL HOSE	油管束帶	2	
# **	90656-KUDU	90656-KUDU-900	0	BAND HARNESS WIRE	束帶	1	
#	94050	94050-06080	0	NUT FLANGE 6MM	螺帽 6MM	2	
#	95701-06012	95701-06012-06	1	BOLT FLANGE 6*12	螺絲 6*12	1	
#	95701-06016	95701-06016-06	0	BOLT FLANGE 6*16	螺絲 6*16	9	
#	96001	96001-06016-08	0	BOLT FLANGE SH 6*16	凸緣螺栓	5	
	98200-31500	98200-31500	0	BLADE FUSE 15A	保險絲15A	5	
	98200-33000	98200-33000	0	BLADE FUSE 30A	保險絲30A	2	

F22

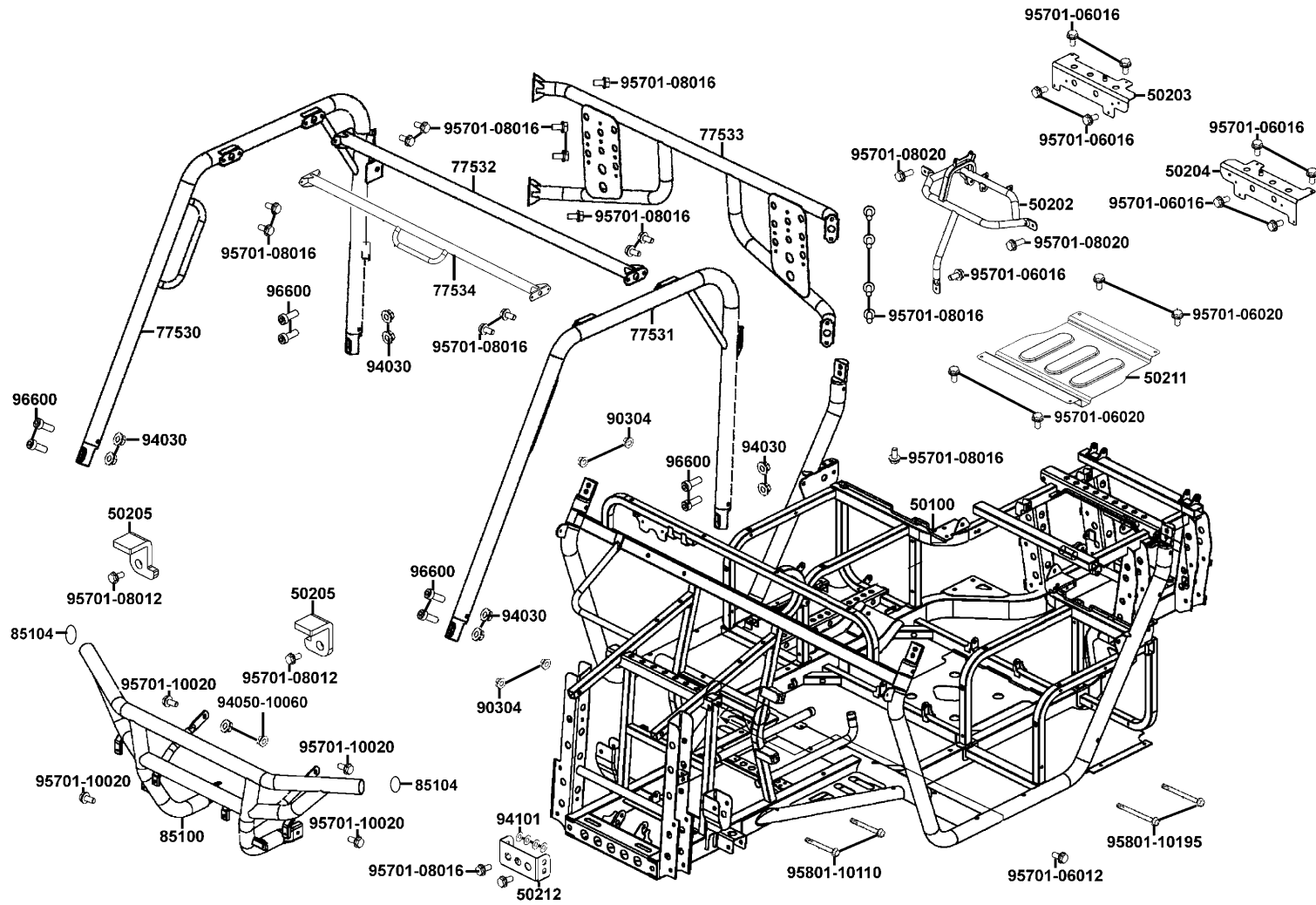
Frame Body 車架



Sales mark	Ref no	Part no	Ver	Description	Reg description	Regd no	F22
	50100	50100-LEE8-E00	10	BODY COMP FRAME	車體	1	
	50202	50202-LEE8-E00	11	PIPE COMP ENGINE FRONT	引擎支架	1	
	50203	50203-LEE8-E00	3	BRKT R SEAT UPPER	右上座墊支架	1	
	50204	50204-LEE8-E00	3	BRKT L SEAT UPPER	左上座墊支架	1	
	50205	50205-LEE8-E00	5	STAY LATCH	門門支架	2	
	50211	50211-LEE8-E00	3	BRKT PROTECTOR	支架	1	
	50212	50212-LEE8-E00	1	BRKT DIFFERENTIAL GEAR	差速齒輪支架	1	
	77530	77530-LEE8-E00	6	R RIPE COMP ROOF	右車頂支架	1	
	77531	77531-LEE8-E00	6	L PIPE COMP ROOF	左車頂支架	1	
	77532	77532-LEE8-E00	2	CROSS PIPE COMP ROOF	車頂支架	2	
	77533	77533-LEE8-E00	7	REAR PIPE COMP ROOF	車頂後支架	1	
	77534	77534-LEE8-E00	1	CROSS PIPE COMP FR ROOF	車頂支架	1	
**	85100	85100-LEE8-E00	6	PIPE COMP FR BUMPER	前保險桿	1	
	85104	85104-LEE8-E00	1	CAP BUMPER	保險桿蓋	2	
	90304	90304-GHE8-004	0	NUT U 10MM	螺帽 10MM	4	
	94030	94030-10080	0	NUT HEX 10MM	螺帽	8	
	94050	94050-10060	0	NUT FLANGE 10MM	螺帽 10MM	2	
	94101	94101-10800	0	WASHER PLAIN 10MM	華司 10MM	4	
#	95701-06012	95701-06012-06	1	BOLT FLANGE 6*12	螺絲 6*12	1	
#	95701-06016	95701-06016-06	0	BOLT FLANGE 6*16	螺絲 6*16	12	

F22

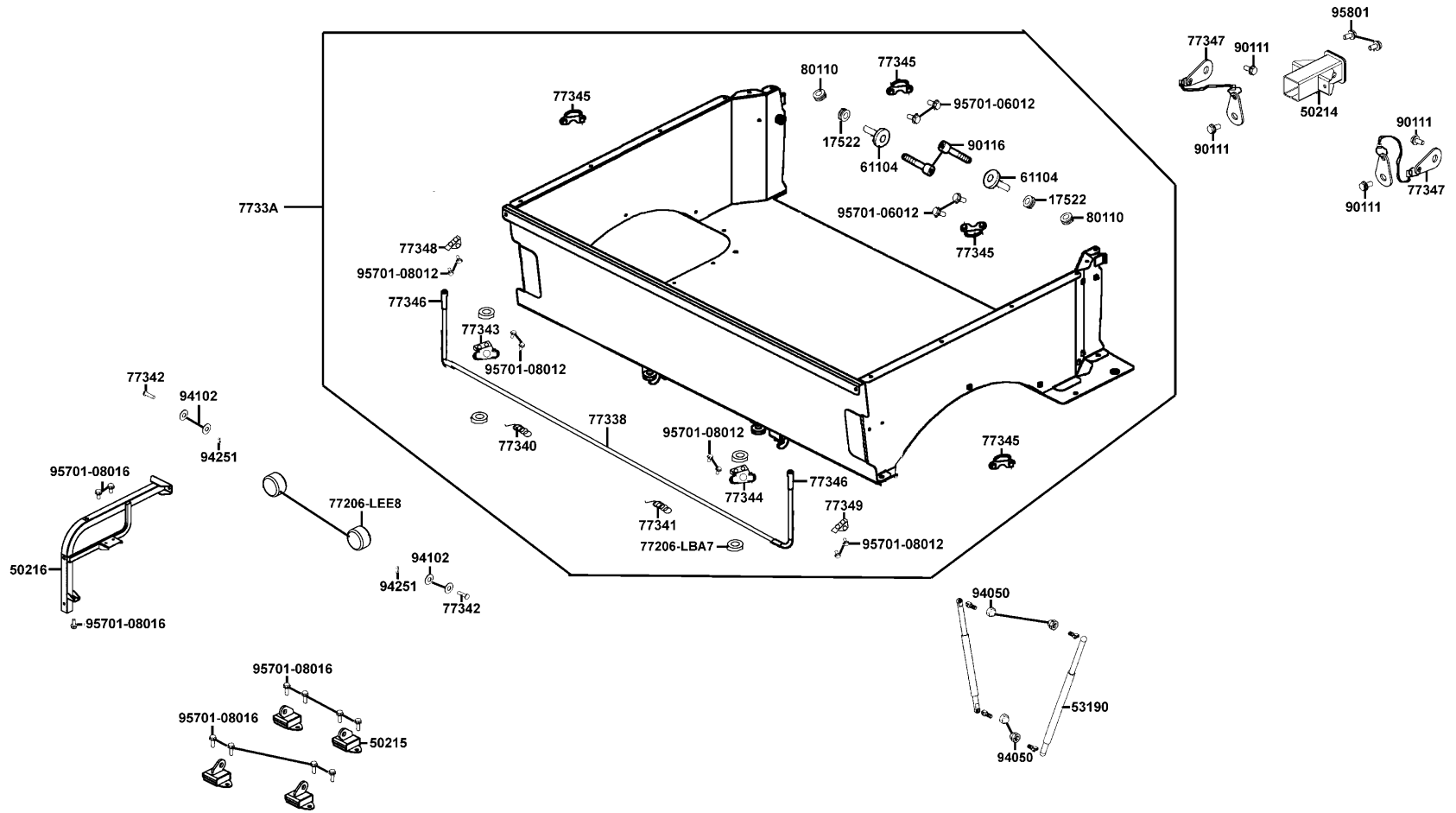
Frame Body 車架



Sales mark	Ref no	Part no	Ver	Description	Reg description	Regd no	F22
	95701-06020	95701-06020-06	1	BOLT FLANGE 6*20	螺絲 6*20	4	
	95701-08012	95701-08012-06	0	BOLT FLANGE 8*12	螺絲 8*12(墨綠)	2	
	95701-08016	95701-08016-06	0	BOLT FLANGE 8*16	螺絲 6X16	19	
	95701-08020	95701-08020-06	1	BOLT FLANGE 8*20	螺絲 8*20	2	
	95701-10020	95701-10020-06	0	BOLT FLANGE 10*20	螺絲 10*20	4	
	95801-10110	95801-10110-06	0	BOLT FLANGE 10*110	螺絲 10*110	2	
	95801-10195	95801-10195-06	0	BOLT FLANGE 10*195	螺絲 10*195	2	
	96600	96600-10028-06	0	SOCKET BOLT 10*28	螺絲	8	

F23

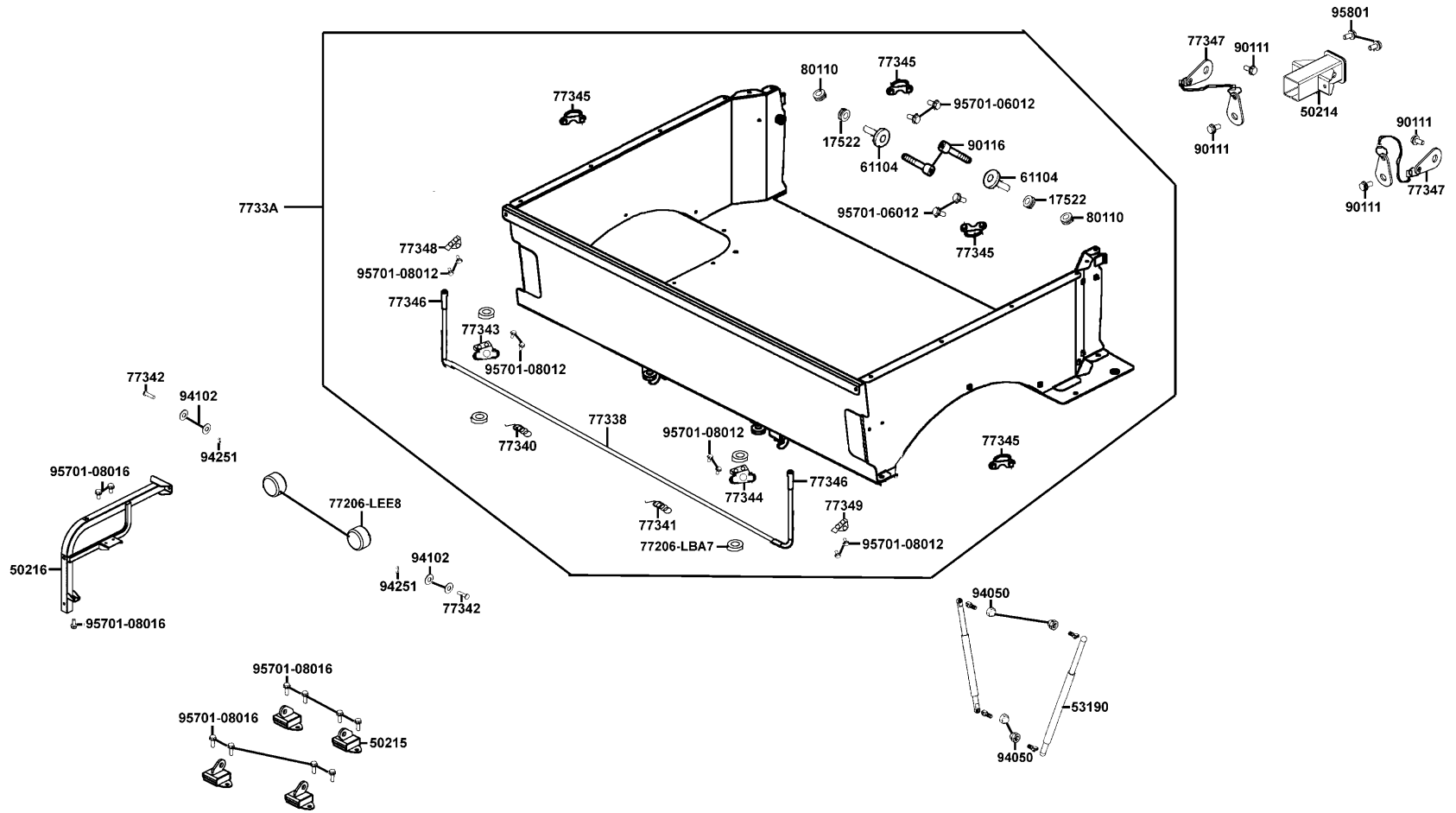
Carrier Luggage 置物架



Sales mark	Ref no	Part no	Ver	Description	Reg description	Regd no	F23
	17522	17522-LLB1-900	1	RUBBER FUEL TANK	油箱橡皮	2	
	50214	50214-LEE8-E00	4	BRKT TRACYION	支架	1	
	50215	50215-LEE8-E00	4	RUBBER DAMPER ENG	橡皮	4	
	50216	50216-LEE8-E00	5	SUPPORT PIPE SEAT INSIDE	座墊內部支架	1	
	53190	53190-LEE8-E00	5	GAS DAMPER	油壓支架	2	
	61104	61104-3G57-001	0	COLLAR FR FENDER	套筒	2	
	77206-LBA7	77206-LBA7-900	1	RUBBER SEAT CUSH	橡皮	4	
	77206-LEE8	77206-LEE8-E00	2	RUBBER CARGO BED	橡皮	2	
	77338	77338-LEE8-E00	6	BAR CARGO BED	支架	1	
	7733A	7733A-LEE8-E00	9	CARGO BED ASSY	車載物架組	1	
	77340	77340-LEE8-E00	2	SPRING R CARGO BED	彈簧	1	
	77341	77341-LEE8-E00	1	SPRING L CARGO BED	彈簧	1	
	77342	77342-LEE8-E00	4	PIN CARGO BED	載物架叉銷	2	
	77343	77343-LEE8-E00	5	R BRKT OF BAR CARGO BED	支架	1	
	77344	77344-LEE8-E00	5	L BRKT OF BAR CARGO BED	支架	1	
	77345	77345-LEE8-E00	2	HOOK CARGO BED	載物架掛勾	4	
	77346	77346-LEE8-E00	1	SLEEVE CARGO BED	手把護套	2	
	77347	77347-LEE8-E00	5	ROPE CARGO BED	載物架綁索	2	
	77348	77348-LEE8-E00	2	STAY R CARGO BED HOOK	支架	1	
	77349	77349-LEE8-E00	2	STAY L CARGO BED HOOK	支架	1	

F23

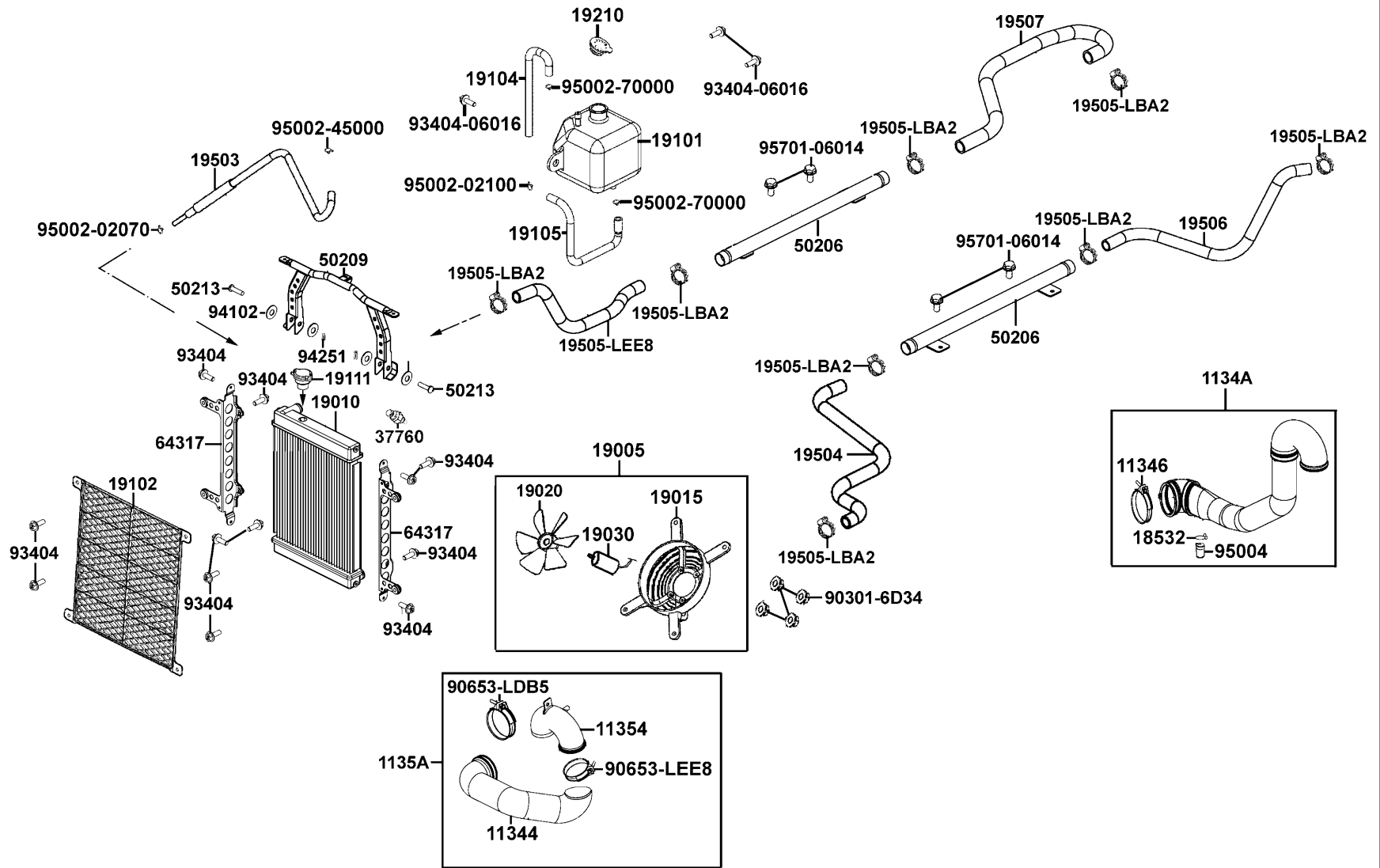
Carrier Luggage 置物架



Sales mark	Ref no	Part no	Ver	Description	Reg description	Regd no	F23
	80110	80110-LDB5-900	1	RUBBER FENDER	外蓋索環	2	
	90111	90111-1G87-001	1	BOLT FLANGE 6MM	螺絲 6MM	4	
	90116	90116-KED9-900	2	SCREW PAN 6*24	螺絲 6*24	2	
	94050	94050-08060	0	NUT FLANGE 8MM	螺帽8MM	4	
	94102	94102-12800	0	WASHER PLAIN 12MM	華司 12MM	4	
	94251	94251-14000	0	PIN LOCK 14MM	插銷	2	
#	95701-06012	95701-06012-06	1	BOLT FLANGE 6*12	螺絲 6*12	4	
	95701-08012	95701-08012-06	0	BOLT FLANGE 8*12	螺絲 8*12(墨綠)	8	
	95701-08016	95701-08016-06	0	BOLT FLANGE 8*16	螺絲 6X16	11	
	95801	95801-10025-06	0	BOLT FLANGE 10*25	螺絲	2	

F24

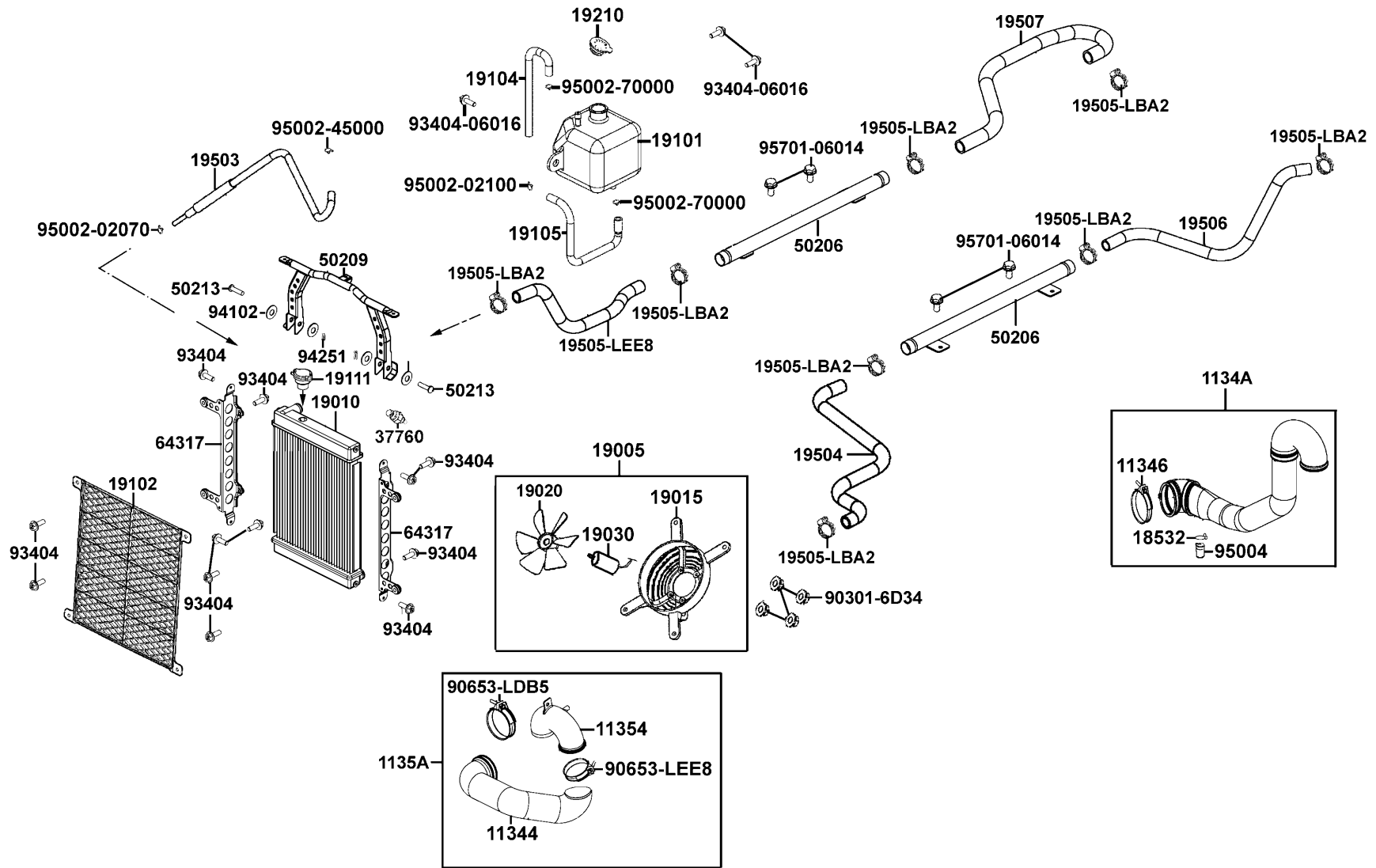
Radiator 水箱



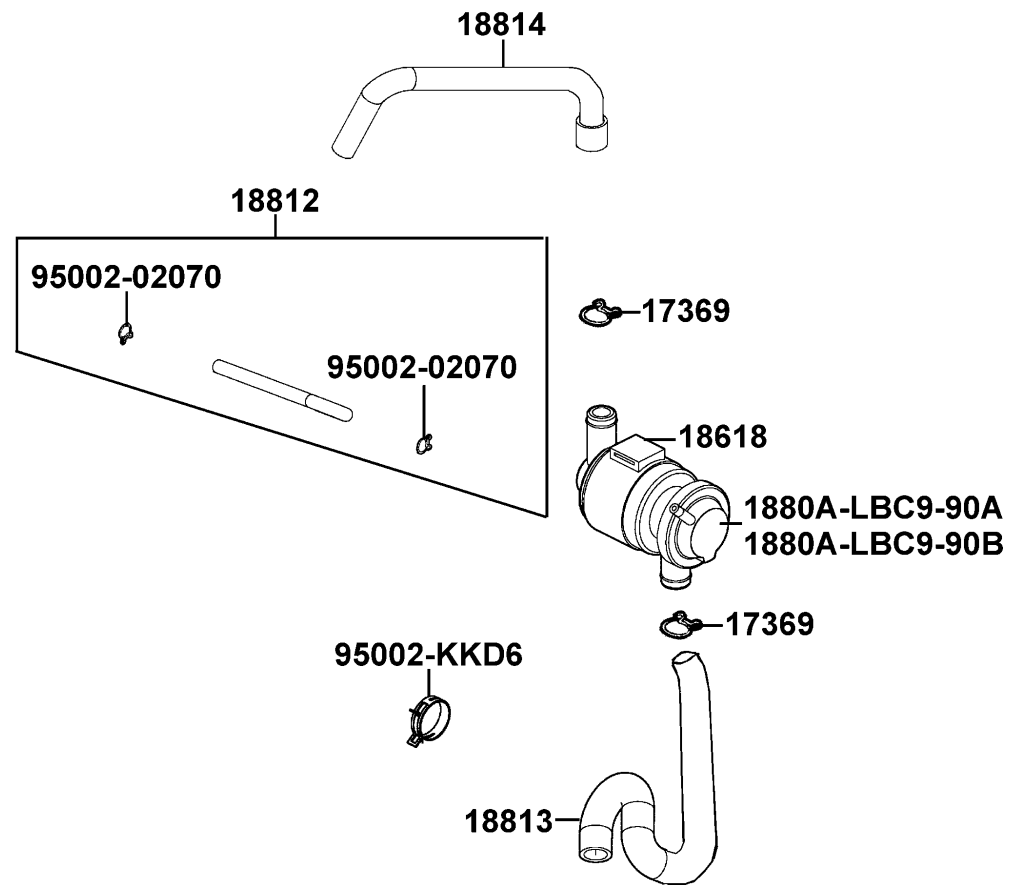
Sales mark	Ref no	Part no	Ver	Description	Reg description	Regd no	F24
	11344	11344-LEE8-E00	2	DUCT B L COVER	右蓋通氣管 B	1	
	11346	11346-LDB5-E00	2	BAND 56*96 FRONT CVT	導管束帶	1	
	1134A	1134A-LEE8-E00	1	DUCT A ASSY L COVER	右蓋通氣管 A	1	
	11354	11354-LEE8-E00	3	CHAMBER DUCT B L CASE	通氣管室	1	
	1135A	1135A-LEE8-E00	2	DUCT B ASSY L CASE	通氣管	1	
	18532	18532-6D34-671	0	CLIP AIR HOSE 21.5	環夾	1	
	19005	19005-LEE8-E00	2	SHROUD ASSY	冷卻風扇組	1	
	19010	19010-LEE8-E00	1	RADIATOR COMP	冷卻水箱	1	
	19015	19015-LEE8-E00	0	SHROUD COMP	護蓋組	1	
	19020	19020-LEE8-E00	0	FAN COOLING	冷卻風扇	1	
	19030	19030-LEE8-E00	0	MOTOR ASSY FAN	風扇馬達	1	
	19101	19101-LDB5-E00	4	TANK RESERVE	預備水箱	1	
**	19102	19102-LEE8-E00	1	GRILLE RADIATOR	水箱護網	1	
	19104	19104-LEE8-E00	1	HOSE ASSY DRAIN	水管	1	
	19105	19105-LEE8-E00	2	HOSE ASSY WATER	水管	1	
	19111	19111-GBE2-004	1	CAP COMP	水箱蓋	1	
	19210	19210-KKC4-900	0	CAP RESERVE TANK	預備水箱蓋	1	
	19503	19503-LEE8-E00	2	HOSE ASSY WATER	水管	1	
	19504	19504-LEE8-E00	2	HOSE WATER D	水管	1	
	19505-LBA2	19505-LBA2-E00	4	CLAMP WATER HOSE	水管夾	8	

F24

Radiator 水箱



Sales mark	Ref no	Part no	Ver	Description	Reg description	Regd no	F24
	19505-LEE8	19505-LEE8-E00	3	HOSE WATER F PIPE-RADIATOR	水管	1	
	19506	19506-LEE8-E00	4	HOSE WATER G	水管	1	
	19507	19507-LEE8-E00	3	HOSE WATER H ENG-PIPE	水管	1	
	37760	37760-LBB5-E00	1	SW ASSY THERMO	調溫開關	1	
	50206	50206-LEE8-E00	5	WATER PIPE RADIAL	水管	2	
	50209	50209-LEE8-E00	6	BRKT FRONT FENDER	前土除支架	1	
	50213	50213-LEE8-E00	2	PIN FRONT FENDER	前土除插銷	2	
	64317	64317-LEE8-E00	3	STAY RADIATOR	水箱支架	2	
#	90301	90301-6D34-671	1	NUT FLANGE 6MM	螺帽 6MM	4	
	90653-LDB5	90653-LDB5-E00	3	BAND 81 REAR CVT DUCT	管夾	1	
	90653-LEE8	90653-LEE8-E00	0	BAND 77 AIR/C CONN TUBE	通氣管夾	1	
#	93404	93404-06016-06	0	BOLT WASHER 6*16	螺絲 6*16	14	
	94102	94102-12800	0	WASHER PLAIN 12MM	華司 12MM	4	
	94251	94251-14000	0	PIN LOCK 14MM	插銷	2	
	95002-02070	95002-02070	0	CLIP B7 TUBE	管夾	1	
	95002-02100	95002-02100	0	CLIP B15 TUBE	管夾	1	
	95002-45000	95002-45000	0	CLIP C8 TUBE	管夾	1	
	95002-70000	95002-70000	0	CLIP C11 TUBE	管夾	1	
	95004	95004-LBA7-900	0	TUBE DRAIN	通氣管	1	
	95701	95701-06014-06	0	BOLT FLANGE 6*14	螺絲 6X14	4	

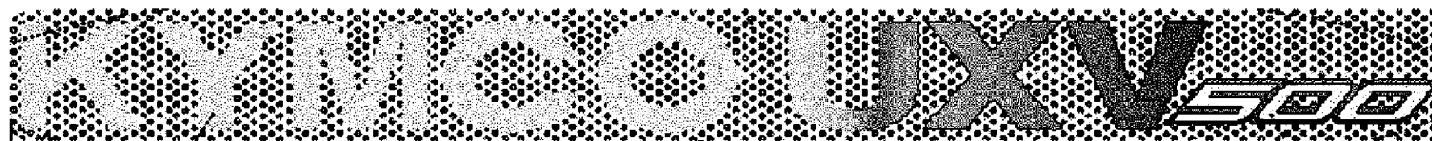


Sales mark	Ref no	Part no	Ver	Description	Reg description	Regd no	F25
	17369	17369-KDB4-671	1	CLIP BREATHER TUBE	通氣管夾	2	
	18618	18618-LLF5-90A	2	RUBBER AICV MOUNT	ACV橡皮	1	
	1880A-LBC9-90A	1880A-LBC9-90A	1	AI/C-AICV ASSY	空氣噴射閥組	1	
	1880A-LBC9-90B	1880A-LBC9-90B	1	AI/C-AICV ASSY	空氣噴射閥組	1	
	18812	18812-LEE8-E00	2	TUBE ASSY VACUUM	真空管組	1	
	18813	18813-LEE8-E00	2	DUCT AICV-REED VALVE	通氣管	1	
	18814	18814-LEE8-E00	2	DUCT AIR-AICV	通氣管	1	
	95002-02070	95002-02070	0	CLIP B7 TUBE	管夾	2	
#	95002-KKD6	95002-KKD6-E05	0	CLAMP D18 TUBE	管夾	1	

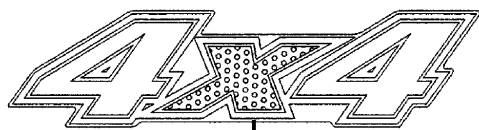
Sales mark	Ref no	Part no	Ver	Description	Reg description	Regd no	F26
**	87033	87033-LEE8-E00	1	WARNING CARGO-PINCH POINT	標籤	2	
**	87040	87040-LEE8-E01	2	WARNING TOWING-ON ROAD	標籤	1	
**	87321	87321-LEE8-E00	1	WARNING CANOPY	標籤	2	
**	87323	87323-LEE8-E01	2	WARNING CARGO-ON ROAD	標籤	1	
**	87505	87505-LEE8-E00	1	LABEL TIRE	標籤	1	
**	87512	87512-LEE8-E00	1	WARNING ENGAGE REVERSE	標籤	1	
**	87515	87515-LEE8-E01	1	DRIVE WARNING LIST (1)-ON ROAD	標籤	1	
**	87517	87517-LEE8-E01	1	DRIVE WARNING LIST (2)	標籤	1	

F27

Emblem Stripe 標徽 貼紙



86101



86303

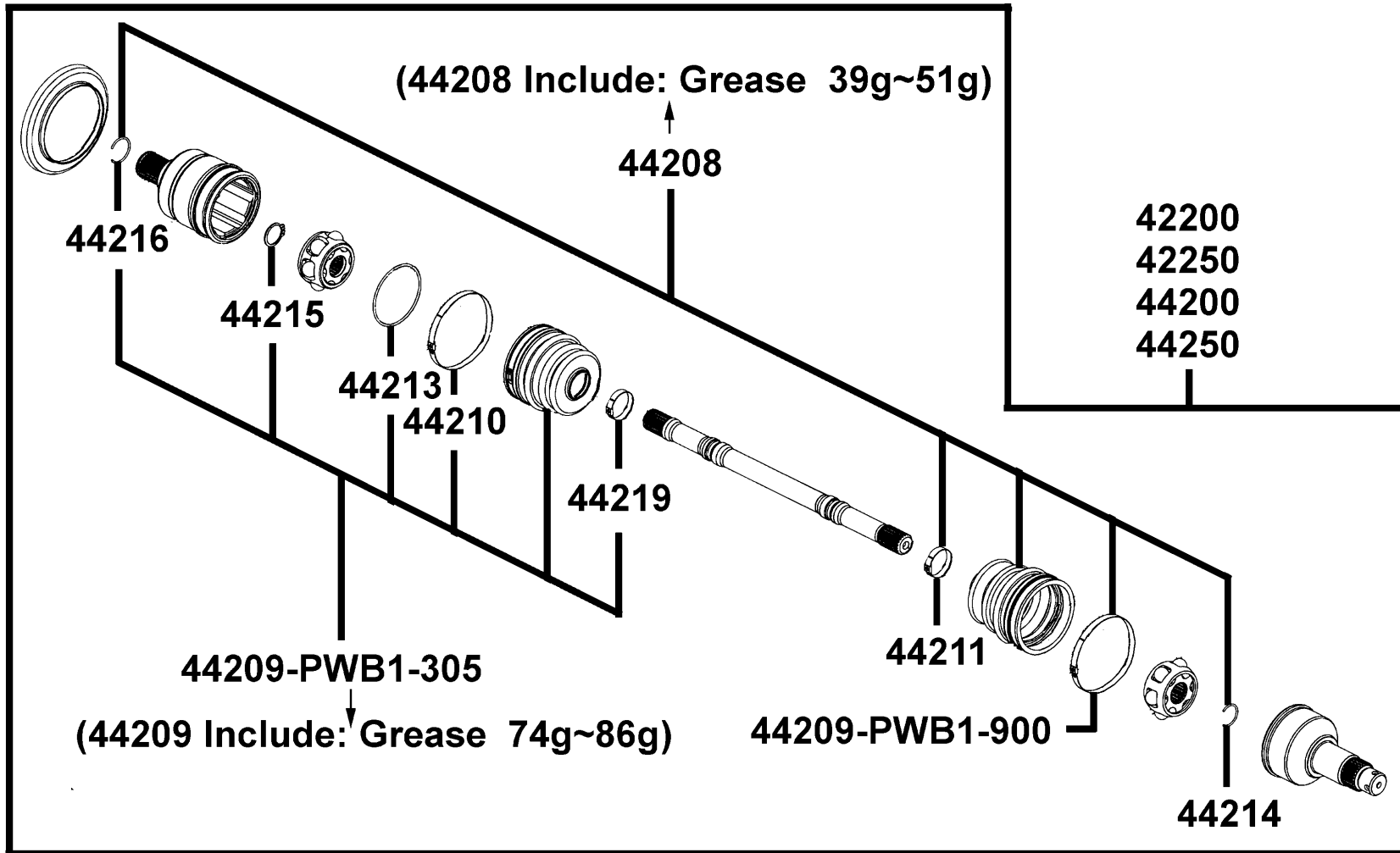


86102-LEE8



86102-LDB5

Sales mark	Ref no	Part no	Ver	Description	Reg description	Regd no	F27
**	86101	86101-LEE8-E61	2	STRIPE UXV 500	標誌	3	
**	86102-LDB5	86102-LDB5-900	3	STRIPE K-LOGO 28.5MM	標誌	1	
**	86102-LEE8	86102-LEE8-900	3	EMB K-LOGO 38MM-PP	標誌	1	
**	86303	86303-LFA5-M30	1	STRIPE 4*4	貼紙	2	



Sales mark	Ref no	Part no	Ver	Description	Reg description	Regd no	F28
	42200	42200-LEE8-E00	4	CVJ ASSY R RR	後右傳動軸	1	
	42250	42250-LEE8-E00	3	CVJ ASSY L RR	後左傳動軸	1	
	44200	44200-LEE8-E00	5	CVJ ASSY FR	前轉動軸組	1	
	44208	44208-PWB1-305	0	WHEEL SIDE BOOT SERVICE KIT	傳動軸補修包(小)	2	
	44209-PWB1-305	44209-PWB1-305	0	DIFF SIDE BOOT SERVICE KIT	傳動軸補修包(大)	2	
	44209-PWB1-900	44209-PWB1-900	0	BOOT-BAND (L)	束帶	2	
	44210	44210-PWB1-900	0	BOOT-BAND (L)	束帶	2	
	44211	44211-PWB1-900	0	BOOT-BAND (S)	束帶	2	
	44213	44213-PWB1-900	0	CIRCLIP (DOJ MONTH)	環夾	2	
	44214	44214-PWB1-900	0	CIRCLIP	環夾	2	
	44215	44215-PWB1-900	0	SNAP RING	環夾	2	
	44216	44216-PWB1-900	0	CIRCLIP (DOJ STEM)	環夾	2	
	44219	44219-PWB1-900	0	BOOT-BAND (S)	束帶	2	
	44250	44250-LEE8-E00	3	CVJ ASSY FR L	左前轉動軸組	1	

PART NO. INDEX

PART NO.	VERSION	PAGE	PART NO.	VERSION	PAGE	PART NO.	VERSION	PAGE
11000			12000			14000		
1110A-LEE8-E00	0	E01	12100-LDB5-E00	4	E03	1411A-LBA2-E00	10	E02
1119A-LDB5-E00	4	E01	12103-LBA2-E00	1	E03	1412A-LDG7-E00	3	E02
11203-LDB5-E00	3	F14	12191-LDB5-E00	2	E03	14153-LBA2-E00	3	E02
11205-LEE8-E00	2	E01	12205-KHE8-301	1	E02	14154-LBA2-E00	1	E02
11206-LEE8-E00	2	E01	12206-LBA2-E00	2	E02	14321-KED9-900	5	E02
11330-LEE8-E00	1	E04	12208-LBA2-E00	3	E02	14321-LBA2-E00	2	E02
11341-LDB5-E00	3	E01	12209-GDB4-68A	0	E02	14401-LBA2-E00	1	E03
11341-LDB5-E00	5	E01	1220A-LDG7-900	3	E02	14451-LBA2-E00	2	E02
11344-LEE8-E00	2	F24	1220C-LEE8-900	0	E02	14510-LDB5-E00	5	E03
11346-LDB5-E00	2	F24	12251-LBA2-E00	4	E03	14520-LDB5-E00	2	E03
11348-LDB5-E00	2	E04	12303-LBA2-E00	3	E02	14523-KED9-900	0	E03
1134A-LEE8-E00	1	F24	12310-LDB5-E00	1	E02	14531-KED9-900	4	E03
11354-LEE8-E00	3	F24	12311-KBE2-900	4	E02	14546-LBA2-E00	4	E02
1135A-LEE8-E00	2	F24	12361-GFY6-901	1	E01	14552-KGBG-900	0	E02
11394-LDB5-E00	2	E04	12361-GFY6-901	1	F17	14610-LBA2-E00	5	E03
11395-LDB5-E00	1	E01	12391-LBA2-E00	1	E02	14611-LBA2-E00	3	E02
11441-LDB5-910	1	E05				14711-LDG7-900	1	E02
11442-LDB5-900	3	E05	13000			14721-LBA2-E00	1	E02
11443-LDB5-900	2	E05				14751-LBA2-E00	1	E02
11451-LDB5-E00	4	E05	1300A-LDB5-309	1	E03	14761-LDG7-900	1	E02
11495-LDB5-E00	2	E05	13011-LBA2-E0A	1	E03	14771-KED9-900	2	E02
11496-LDB5-E00	3	E01	13101-LBA2-E00	13	E03	14777-LBA2-E00	2	E02
			13111-LBA2-E00	4	E03	14781-MFA6-001	0	E02

PART NO. INDEX

PART NO.	VERSION	PAGE	PART NO.	VERSION	PAGE	PART NO.	VERSION	PAGE	
15000			16043-LDB5-700	3	E10	16122-KEC3-900	0	E10	
			16044-KEC3-900	1	E10	16124-LEE8-E00	1	E10	
			16048-LDB5-700	1	E10	16131-LDB5-E00	5	E10	
	15100-LDB5-E00	3	E06	16051-KGC5-90A	4	E10	16132-KEC3-900	1	E10
	15133-LBA2-E00	1	E06	16053-KEC3-900	0	E10	16133-LDB5-E00	3	E10
	15138-LDB5-E00	4	E06	16056-LDB5-E00	3	E10	16134-LDB5-E00	3	E10
	15141-LDB5-E00	1	E06	16057-LDB5-E00	6	E10	16137-LDB5-E00	2	E10
	15200-KED9-900	7	E01	16059-LDB5-E00	3	E10	16138-KEC3-900	1	E10
	1541A-LBA2-E00	2	E01	16069-LDB5-E00	3	E10	16140-KEC3-900	1	E10
	15421-1G07-001	1	E01	16070-LDB5-E00	2	E10	16142-KGC5-900	1	E10
	15421-LBA2-E00	2	E01	16074-KEC3-900	4	E10	16144-LDB5-700	2	E10
	15426-GAE1-921	0	E01	16079-LEE8-E00	1	E10	16154-LDB5-E00	2	E10
	15520-LDB5-E00	1	E01	16084-LDB5-700	0	E10	16157-LDB5-E00	3	E10
	1565A-PWA1-900	1	E04	16086-LDB5-700	0	E10	16163-LEE8-E00	2	E10
	15661-LBA7-900	1	E01	16087-LEE8-E00	1	E10	16165-KGC5-900	1	E10
	15700-LBA2-E00	2	E01	16088-KEC3-900	1	E10	16166-LDB5-700	2	E10
	15711-LDB5-E00	1	E06	16092-LDB5-E00	3	E10	16172-LEE8-E00	1	E04
	15721-LEE8-E00	7	E01	16093-KEC3-100	0	E10	16179-LDB5-E00	1	E10
	15722-LEE8-E00	3	E01	16095-KEC3-900	2	E10	16180-KGC5-900	2	E10
	16000			16100-LEE8-E00	9	E10	16181-LDB5-E00	2	E10
			16105-LDB5-E00	2	E10	16700-LEE8-E00	1	F10	
			16110-KGC5-900	1	E10	16702-LBA2-E00	2	F10	
16012-LDB5-E00		6	E10	16111-KHE7-900	1	E10	16912-LBA2-E00	2	F10
16016-KGC5-900		1	E10	16113-LEE8-E00	0	E10	1691A-KEC2-E00	0	F10
16019-LDB5-E00		3	E10	16114-KEC3-900	0	E10	16961-LDB5-700	1	E10
16038-LDB5-700		2	E10	16120-KEC3-900	0	E10			

PART NO. INDEX

PART NO.	VERSION	PAGE	PART NO.	VERSION	PAGE	PART NO.	VERSION	PAGE
17000			18000			19000		
17104-LEE8-E00	2	E02	18291-LBA2-E00	3	F14	19005-LEE8-E00	2	F24
17113-LBA2-E00	1	E02	18300-LEE8-E00	12	F14	19010-LEE8-E00	1	F24
1711A-LFE9-E00	1	E02	18317-LEE8-E00	1	F14	19015-LEE8-E00	0	F24
17200-LEE8-E00	6	F13	18319-LEE8-E00	1	F14	19020-LEE8-E00	0	F24
17214-LEE8-E00	1	F13	18320-LEE8-E00	11	F14	19030-LEE8-E00	0	F24
1721A-LDB5-E00	2	F13	18371-LBA2-E00	2	F14	19101-LDB5-E00	4	F24
17231-LEE8-E00	3	F13	18391-LBA2-E00	1	F14	19102-LEE8-E00	0	F24
1723A-LEE8-E00	3	F13	18532-6D34-671	0	F13	19102-LEE8-E00	1	F24
17257-LDB5-E00	3	F13	18532-6D34-671	0	F24	19104-LEE8-E00	1	F24
17265-LBA7-900	1	F13	18601-KBE2-900	4	E02	19105-LEE8-E00	2	F24
17369-KDB4-671	1	F25	18612-KFB5-900	1	E02	19111-GBE2-004	1	F24
17369-KHC4-900	0	F13	18613-LDB5-E00	2	E02	19200-LEE8-E00	2	E04
17372-LEE8-E00	3	E04	18618-LLF5-90A	2	F25	19210-KKC4-900	0	F24
17500-LEE8-E00	6	F10	18645-LBA2-E00	1	E02	19300-LBA2-E00	1	E04
17515-LEE8-E00	1	F10	18646-GFY6-941	0	E02	19310-LDB5-E00	1	E04
17522-LLB1-900	1	F23	18647-LBA2-E00	4	E02	19315-LBA2-E00	2	E04
17620-KGBG-345	0	F21	18657-LEE8-E00	3	F13	19316-LEE8-E00	4	E04
17910-LEE8-E00	6	F03	1880A-LBC9-90A	1	F25	19317-LBA2-E00	1	E04
17930-LEE8-E00	5	F03	1880A-LBC9-90B	1	F25	19502-LEE8-E00	1	E04
17950-LEE8-E00	4	F03	18812-LEE8-E00	2	F25	19503-LEE8-E00	2	F24
			18813-LEE8-E00	2	F25	19504-LBA2-E00	3	E01
			18814-LEE8-E00	2	F25	19504-LBA2-E00	3	E04
						19504-LEE8-E00	2	F24

PART NO. INDEX

PART NO.	VERSION	PAGE	PART NO.	VERSION	PAGE	PART NO.	VERSION	PAGE
19505-LBA2-E00	4	E04				2362A-LDB5-E00	1	E01
19505-LBA2-E00	4	F24	23000					
19505-LEE8-E00	3	F24				24000		
19506-LEE8-E00	4	F24	23010-LDB5-E00	4	E05			
19507-LBA2-E00	0	E04	23100-LDB5-E00	2	E05	24211-LDB5-E00	4	E07
19507-LDB5-E00	1	E04	23200-LDB5-E00	3	E05	24221-LDB5-E00	2	E07
19507-LEE8-E00	3	F24	23201-LDB5-E00	0	E05	24241-LDB5-E00	1	E07
19508-LEE8-E00	1	E01	23210-LEE8-E00	2	E08	24242-LDB5-E00	4	E07
19525-LEE8-E00	4	E01	23220-LDB5-E00	2	E05	24251-LDB5-E00	4	E07
19526-LEE8-E00	3	E01	23225-LDB5-E00	0	E05	24305-LDB5-E00	2	E07
19527-LEE8-E00	2	E04	23233-LDB5-E00	1	E05	2431A-LDB5-E00	4	E07
19528-LEE8-E00	2	E01	23237-LDB5-E00	1	E05	24610-LDB5-E00	4	E07
			23238-LDB5-E00	1	E05	24651-LDB5-E00	4	E07
22000			2341A-LDB5-E00	6	E07	24700-LEE8-E00	4	F15
			23421-LEE8-E00	1	E07	24701-LDB5-E00	2	E07
22102-LDB5-E00	3	E05	23431-LDB5-E00	4	E08	24702-LEE8-E00	4	F15
22105-LDB5-E00	3	E05	23450-LDB5-E00	2	E07	24703-LDB5-E00	5	F15
22110-LDB5-E00	5	E05	2345A-LDB5-E00	4	E08	24704-LDB5-E00	2	F15
22121-LDB5-E0A	3	E05	23471-LDB5-E00	3	E07	24705-LEE8-E00	1	F15
22131-LDB5-E00	3	E05	23473-LDB5-E00	2	E07	24706-LDB5-E00	1	F15
22132-LDB5-E00	2	E05	23481-LDB5-E00	3	E07	24707-LDB5-E00	6	F15
2261A-LDB5-900	2	E05	23500-LDB5-E00	2	E07	2470A-LEE8-E00	3	F15
2266A-LDB5-910	1	E05	23510-LDB5-E00	4	E07	24710-LEE8-E00	4	F15
			23518-LDB5-E00	2	E08	24711-LEE8-E00	3	F15
			23519-LDB5-E00	2	E08	24720-LEE8-E00	2	F15
			23610-LDB5-E00	1	E07	24721-LEE8-E00	1	F15

PART NO. INDEX

PART NO.	VERSION	PAGE	PART NO.	VERSION	PAGE	PART NO.	VERSION	PAGE	
24781-LEE8-E00	2	F15	31500-LDB5-E0B	2	F11	33703-LEE8-E00	0	F20	
28000			31600-LDB5-E00	5	F21	33704-LEE8-E00	0	F20	
			31601-LDB5-E00	4	F21	33706-GCN3-67A	0	F20	
			31700-KEC8-E00	1	F21	33709-KBAB-003	0	F20	
			3195A-LBA7-E00	1	F21	33710-LEE8-E00	0	F20	
28100-LDB5-E00	2	E06	32000			33715-LEE8-E00	0	F20	
28103-LDB5-E00	2	E06				33720-LCA5-E00	1	F20	
28110-LDB5-E00	1	E06				33722-KHB4-E00	0	F20	
28120-KKE5-E00	1	E06				33725-KHB4-E00	0	F20	
28210-LDB5-E00	4	E04	32100-LEE8-E00	8	F21	33726-LCA5-E00	0	F20	
30000			32410-LEE8-E00	3	E06	33741-KHC5-M00	0	F20	
			32411-LEE8-E00	3	F21	33750-LEE8-E00	1	F20	
			32412-LEE8-E00	4	E04	33751-LEE8-E00	0	F20	
			33000			33753-LEE8-E00	0	F20	
30400-LEE8-E00	2	F21				33754-LEE8-E00	0	F20	
3051A-LEE8-E00	2	F21				34000			
30700-LDB5-E00	2	F21		33100-LEE8-E00	1		F01		
31000			33110-LEE8-E00	0	F01				
			33120-LEE8-E00	0	F01				
			33130-LEE8-E00	0	F01	34901-KFA6-900	0	F01	
			33150-LEE8-E00	1	F01	34903-KPCP-900	0	F01	
31110-LDB5-E01	2	E06	33400-LEE8-E01	1	F19	34903-KPCP-900	0	F20	
31110-LDB5-E0D	1	E06	33406-LEE8-E00	0	F19	34905-LBA7-E00	0	F19	
31120-LDB5-E01	5	E06	33450-LEE8-E01	1	F19	34905-LCA5-E00	0	F20	
31120-LDB5-E0D	5	E06	33456-LEE8-E01	0	F19	34906-KPCP-900	0	F20	
31210-LEE8-E00	1	E06	33700-LEE8-E00	1	F20				
31350-LDB5-E0A	1	E01	33701-LEE8-E00	0	F20				
31500-LDB5-E0A	2	F11							

PART NO. INDEX

PART NO.	VERSION	PAGE	PART NO.	VERSION	PAGE	PART NO.	VERSION	PAGE	
35000			37760-LBB5-E00	1	F24	4040A-LDB5-E00	6	E08	
			37801-GGA7-701	1	F10	40410-LEE8-E00	3	E08	
			37802-GGA7-701	2	F10	40411-LDB5-E00	1	E08	
	35010-LEE8-E00	3	F21	3780A-LEE8-E00	1	F10	40414-LDB5-E00	3	E08
	35100-LEE8-325	1	F21			40415-LDB5-E00	1	E08	
	35111-KUDU-305-M2	0	F21	38000		40420-LDB5-E00	1	E08	
	35111-KUDU-306-M2	0	F21			40430-LEE8-E00	1	E08	
	35111-LCA5-325-M2	0	F21	38110-LDB5-E00	1	F21	40432-LEE8-E00	2	E08
	35111-LCA5-326-M2	0	F21	38200-KHE7-900	0	F21	40441-LEE8-E00	6	F18
	35140-LEE8-E00	1	F21	38300-LBC6-90A	2	F21			
	35150-LEE8-E00	0	F21	38500-KHD8-900	0	F21	41000		
	35190-LEE8-E00	1	F21						
	35200-LEE8-E00	2	F21	39000			41300-LEE8-E00	6	F17
	35350-LBA7-900	6	F15			41310-LEE8-E00	4	F17	
	35357-KGC4-E00	2	F15	39100-LBA7-E00	1	F21	41320-LEE8-E00	3	F17
	35759-LDB5-E00	3	E01	39300-LEE8-900	0	E09	41405-LEE8-E00	2	F17
35850-LDB5-E00	1	F21				41421-LEE8-E00	3	F17	
			40000			41431-LEE8-E00	3	F17	
37000						41436-LCD9-E00	2	F17	
			4020A-LEE8-E00	0	F18	41437-LCD9-E00	2	F17	
37200-LEE8-E0A	2	F02	40211-LCD9-E00	3	E08	41447-LDB5-E00-A	2	F17	
37200-LEE8-E0B	2	F02	40213-LCD9-E00	2	E08	41447-LDB5-E00-B	2	F17	
37300-LEE8-E0A	0	F02	40214-LEE8-E00	2	E08	41447-LDB5-E00-C	2	F17	
37300-LEE8-E0B	0	F02	40215-LEE8-E00	2	F18	41547-LEE8-E00	2	F17	
37720-KGB5-900	0	E02	40220-LEE8-E00	8	F18	41548-LEE8-E00-A	2	F17	
37750-PAC1-005	0	E02	40401-LEE8-E00	3	E08	41548-LEE8-E00-B	2	F17	

PART NO. INDEX

PART NO.	VERSION	PAGE	PART NO.	VERSION	PAGE	PART NO.	VERSION	PAGE
41548-LEE8-E00-C	2	F17	42425-LEE8-900	2	E09	43000		
42000			42428-PWB1-900	1	E09			
			42430-PWB1-900	1	E09			
			42432-LEE8-900	1	E09		43100-LEE8-E00	3
			42442-LEE8-900	3	E09	43105-LEE8-305	0	F18
42200-LEE8-E00	4	F16	42446-PWB1-900	1	E09	43107-LEE8-E00	0	F18
42200-LEE8-E00	4	F28	42448-PWB1-900	1	E09	43110-LEE8-305	0	F18
42250-LEE8-E00	3	F16	42449-PWB1-900	1	E09	43126-LEE8-E00	4	F04
42250-LEE8-E00	3	F28	42453-PWB1-900	2	E09	43203-LEE8-E00	0	F18
42400-LEE8-900	4	E09	42456-PWB1-900	1	E09	43350-LEE8-E00	4	F18
42401-PWB1-900	1	E09	42463-PWB1-900	2	E09	43351-LEE8-E00	4	F18
42402-PWB1-900	1	E09	42464-PWB1-900	2	E09	43352-KKD6-E90	1	F18
42404-PWB1-900	1	E09	42465-PWB1-900	2	E09	43450-LEE8-E00	5	F04
42407-PWB1-900	1	E09	42466-PWB1-900	2	E09	43500-LEE8-E00	4	F04
42408-PWB1-900	1	E09	42467-PWB1-900	2	E09	44000		
42409-PWB1-900	1	E09	42470-LEE8-E00	2	F07			
42412-PWB1-900	1	E09	42472-LEE8-900	1	E09			
42413-PWB1-900	1	E09	42491-LEE8-900	1	E09		44200-LEE8-E00	5
42414-PWB1-900	1	E09	42705-LEE8-E00	2	F08	44200-LEE8-E00	5	F28
42415-PWB1-900	1	E09	4270A-LEE8-E00	4	F08	44208-PWB1-305	0	F28
42416-PWB1-900	1	E09	42710-LEE8-E0A	2	F08	44209-PWB1-305	0	F28
42418-PWB1-900	1	E09	42710-LEE8-E0B	1	F08	44209-PWB1-900	0	F28
42419-PWB1-900	1	E09	42750-LEE8-E0A	1	F09	44210-PWB1-900	0	F28
42421-PWB1-900	1	E09	42750-LEE8-E0B	1	F09	44211-PWB1-900	0	F28
42422-PWB1-900	1	E09	42753-KNBN-90B	1	F07	44213-PWB1-900	0	F28
42423-PWB1-900	1	E09	42753-KNBN-90B	1	F07	44214-PWB1-900	0	F28
42424-PWB1-900	1	E09						

PART NO. INDEX

PART NO.	VERSION	PAGE	PART NO.	VERSION	PAGE	PART NO.	VERSION	PAGE
44215-PWB1-900	0	F28	45133-LBA7-900	0	F18			
44216-PWB1-900	0	F28	45140-LEE8-E00	1	F07	47000		
44219-PWB1-900	0	F28	45200-LEE8-E00	1	F07			
44250-LEE8-E00	3	F07	45203-LBA7-900	0	F07	47400-LEE8-E00	7	F06
44250-LEE8-E00	3	F28	45209-LBA7-900	0	F07	47403-LDB5-E00	2	F06
44705-LEE8-E00	3	F07	45209-PWA1-900	0	F18	47403-LDB5-E00	2	F16
4470A-LEE8-E00	3	F07	45210-LEE8-E00	0	F07	47410-LDB5-E00	2	F07
44710-LEE8-E0A	2	F07	45230-LBA7-900	0	F07	47410-LDB5-E00	2	F08
44710-LEE8-E0B	2	F07	45230-LBA7-900	0	F18	47450-LEE8-E00	4	F16
45000			45352-LBA7-900	0	F07	47453-LEE8-E00	2	F16
			45353-LBA7-900	0	F07	47454-LEE8-E00	1	F16
			45353-LBA7-900	0	F18	47500-LEE8-E00	7	F06
45100-LEE8-E00	1	F07	45531-LBA7-900	0	F07			
45105-LBA7-305	0	F07	45531-LBA7-900	0	F18	50000		
45107-LBA7-900	0	F07						
45108-LBA7-900	0	F07	46000			50100-LEE8-E00	10	F22
45108-LBA7-900	0	F18				50202-LEE8-E00	11	F22
45109-LBA7-900	0	F07	46500-LEE8-E00	4	F15	50203-LEE8-E00	3	F22
45109-PWA1-900	0	F18	46503-LEE8-E00	2	F15	50204-LEE8-E00	3	F22
45110-LEE8-E00	0	F07	46514-LEE8-E00	3	F15	50205-LEE8-E00	5	F22
45121-LEE8-E00	2	F07	46514-LLH6-M30	3	F15	50206-LEE8-E00	5	F24
45125-LEE8-E00	3	F04	46600-LEE8-E00	4	F15	50207-LEE8-E00	3	F10
45128-LEE8-E00	7	F04	46700-LEE8-E00	2	F15	50209-LEE8-E00	6	F24
45129-LEE8-E00	7	F04				50210-LEE8-E00	4	F10
45132-LBA7-900	1	F04				50211-LEE8-E00	3	F22
45133-LBA7-900	0	F07				50212-LEE8-E00	1	F22

PART NO. INDEX

PART NO.	VERSION	PAGE	PART NO.	VERSION	PAGE	PART NO.	VERSION	PAGE
50213-LEE8-E00	2	F24	53102-LEE8-E00	0	F06	53410-PWB1-900	2	F06
50214-LEE8-E00	4	F23	53103-LEE8-E00	0	F06	53450-LEE8-E00	4	F06
50215-LEE8-E00	4	F23	53104-LEE8-E00	0	F06	53450-LEE8-E00	5	F06
50216-LEE8-E00	5	F23	53105-LEE8-E00	0	F06	53500-LEE8-E00	6	F06
50218-LEE8-E00	1	F14	53108-LEE8-E00	0	F06	53500-LEE8-E00	7	F06
50244-LEE8-E00	1	E04	53109-LEE8-E00	0	F06	53550-LEE8-E00	4	F06
50326-LEE8-E00	1	F11	53111-LEE8-E00	0	F06	53550-LEE8-E00	5	F06
50326-LEE8-E00	2	F11	53120-LEE8-E00	2	F06	53600-LEE8-325	0	F21
5032A-LEE8-E00	1	F11	53190-LEE8-E00	5	F23	53702-LBA7-900	1	F15
50713-LDB5-E00	1	F15	5319A-LEE8-E00	4	F04	53703-LBA7-900	1	F15
			53200-LEE8-E00	6	F06			
51000			53250-LEE8-E00	5	F06	54000		
			53300-LEE8-E00	8	F06			
51400-LEE8-E00	7	F06	53305-LEE8-E00	2	F06	54400-LEE8-E00	3	F16
52000			53306-LEE8-E00	1	F06	54400-LEE8-E00	4	F16
			53307-LEE8-E00	3	F06	54450-LEE8-E00	5	F16
			53308-LEE8-E00	4	F06	54450-LEE8-E00	6	F16
52101-LEE8-E00	5	F18	53316-LEE8-E00	0	F06	54500-LEE8-E00	1	F16
52102-LEE8-E00	1	E08	53400-LEE8-E00	6	F06	54500-LEE8-E00	2	F16
52243-KEC8-900	0	F16	53400-LEE8-E00	7	F06	54550-LEE8-E00	5	F16
52400-LEE8-E00	8	F16	53402-LEE8-E00	1	F06	54550-LEE8-E00	6	F16
			53402-LEE8-E00	1	F16	54600-LEE8-900	1	F16
53000			53403-LEE8-E00	2	F06	54601-LEE8-E00	3	F16
			53403-LEE8-E00	2	F16	54602-LEE8-E00	1	F16
53100-LEE8-E00	2	F06	53404-LEE8-E00	1	F06	54610-LEE8-E00	4	F16
53101-LEE8-E00	0	F06	53404-LEE8-E00	1	F16	54620-LEE8-E00	4	F16

PART NO. INDEX

PART NO.	VERSION	PAGE	PART NO.	VERSION	PAGE	PART NO.	VERSION	PAGE
60000			61000			64348-LEE8-E00	5	F05
60100-LEE8-E00	3	F03	61104-3G57-001	0	F23	6434A-LEE8-E00	5	F05
60102-PWB1-900	1	F03	61345-LEE8-E00	2	F05	6434A-LEE8-E00	7	F05
60105-LEE8-E00	2	F03	61345-LEE8-E00	3	F05	64350-LEE8-E00	2	F05
60300-LEE8-E00	1	F03				64355-LEE8-E00	1	F05
60300-LEE8-E00	2	F03	64000			64360-LEE8-E00	2	F05
60305-LEE8-E00	2	F03				64365-LEE8-E00	1	F05
60315-LEE8-E00	2	F03	64300-LEE8-E00	3	F05	64370-LEE8-E00	3	F05
60320-LEE8-E00	2	F05	64302-LEE8-E00	3	F03	64380-LEE8-E00	3	F05
60330-LEE8-E00	2	F05	64303-LEE8-E00	4	F03	64390-LEE8-E00	3	F05
60350-LEE8-E00	2	F05	64307-LEE8-800	1	F03	64391-LEE8-E00	2	F05
60350-LEE8-E00	3	F05	64308-LEE8-800	1	F03	6439A-LEE8-E00	4	F05
60360-LEE8-E00	2	F05	64315-LEE8-E00	1	F05	64400-LEE8-E00	5	F05
60360-LEE8-E00	3	F05	64317-LEE8-E00	3	F24	64400-LEE8-E00	6	F05
60400-LEE8-E00	2	F03	6431A-LEE8-E00	2	F05	64500-LEE8-E00	3	F05
60410-LEE8-E00	4	F03	64322-LEE8-E00	2	F05	70000		
60415-LEE8-E00	7	F03	64325-LEE8-E00	1	F05	70529-6G57-671	0	F05
60420-LEE8-E00	5	F03	6432A-LEE8-E00	2	F05			
60420-LEE8-E00	6	F03	64330-LEE8-E00	3	F05	75000		
60500-LEE8-E00	2	F05	64330-LEE8-E00	4	F05			
6050A-LEE8-E00	3	F05	64341-LEE8-E00	2	F05	75581-KBCB-900	0	F03
60510-LEE8-E00	3	F05	64342-LEE8-E00	2	F05			
60520-LEE8-E00	1	F05	64343-LEE8-E00	2	F05			
60530-LEE8-E00	1	F05	64346-LEE8-E00	2	F05			

PART NO. INDEX

PART NO.	VERSION	PAGE	PART NO.	VERSION	PAGE	PART NO.	VERSION	PAGE	
77000			77343-LEE8-E00	5	F23	80130-LEE8-E00	2	F12	
			77344-LEE8-E00	5	F23				
			77345-LEE8-E00	2	F23	81000			
	77200-LEE8-E00	1	F09	77346-LEE8-E00	1	F23			
	77200-LEE8-E00	2	F09	77347-LEE8-E00	5	F23	81202-LEE8-E00	1	F20
	77201-LEE8-E00	2	F09	77348-LEE8-E00	2	F23			
	77202-LEE8-E00	3	F09	77349-LEE8-E00	2	F23	83000		
	77203-LEE8-E00	1	F09	77400-LEE8-E00	1	F09			
	77206-KEB7-900	0	F15	77400-LEE8-E00	2	F09	83500-LEE8-E00	2	F12
	77206-LBA7-900	1	F09	77530-LEE8-E00	6	F22	83500-LEE8-E00	4	F12
	77206-LBA7-900	1	F23	77531-LEE8-E00	6	F22	83600-LEE8-E00	2	F12
	77206-LEE8-E00	2	F23	77532-LEE8-E00	2	F22	83600-LEE8-E00	4	F12
	77210-LEE8-E00	0	F09	77533-LEE8-E00	7	F22	83620-LEE8-E00	2	F12
	77210-LEE8-E00	1	F09	77534-LEE8-E00	1	F22			
	77220-LEE8-E00	2	F09	77600-LEE8-E00	2	F09	85000		
	77233-KBCB-345	1	F21	77800-LEE8-E00	2	F09			
	7723A-LEE8-305	0	F09				85100-LEE8-E00	5	F22
	77240-LEE8-E00	3	F09	80000			85100-LEE8-E00	6	F22
	77243-LEE8-E00	0	F09				85104-LEE8-E00	1	F22
77244-LEE8-E00	0	F09	80100-LEE8-E00	2	F12				
77245-LEE8-E00	0	F09	80100-LEE8-E00	3	F12	86000			
77338-LEE8-E00	6	F23	80102-LEE8-E00	1	F12				
7733A-LEE8-E00	9	F23	80110-LDB5-900	1	F23	86101-LEE8-E61	2	F27	
77340-LEE8-E00	2	F23	80110-LEE8-E00	5	F12	86102-LDB5-900	1	F27	
77341-LEE8-E00	1	F23	80115-LEE8-E00	1	F12	86102-LDB5-900	3	F27	
77342-LEE8-E00	4	F23	80120-LEE8-E00	2	F12	86102-LEE8-900	1	F27	

PART NO. INDEX

PART NO.	VERSION	PAGE	PART NO.	VERSION	PAGE	PART NO.	VERSION	PAGE
86102-LEE8-900	3	F27				90110-PWA2-900	2	F09
86303-LFA5-M30	1	F27	90000			90111-1G87-001	1	F13
87000			90001-GBHB-661	0	E03	90111-1G87-001	1	F23
			90001-GBHB-661	0	E06	90111-LEE8-E00	2	F14
87033-LEE8-E00	1	F26	90001-GFY6-901	1	E01	90112-LBD4-800	1	F18
87040-LEE8-E01	2	F26	90001-LBA2-E00	2	E02	90112-LEE8-E00	0	F09
87321-LEE8-E00	1	F26	90002-LBA2-E00	2	E02	90114-LBA2-E00	1	F03
87323-LEE8-E01	2	F26	90004-LBA2-E00	3	E01	90116-KED9-900	2	F03
87505-LEE8-E00	1	F26	90005-KEC8-900	1	E03	90116-KED9-900	2	F23
87512-LEE8-E00	1	F26	90005-LBA2-E00	3	E01	90133-LDB5-E00	1	E01
87515-LEE8-E01	1	F26	9000A-KTDT-900	1	E01	90145-MKS9-61A	1	F04
87517-LEE8-E01	1	F26	90011-KED9-900	1	E02	90164-0H28-900	2	F21
			90012-3C33-001	0	E02	90201-KHR8-75A	0	E04
88000			90017-KED9-900	3	E02	90202-LDB5-E00	1	E05
			90031-LBA2-E00	3	E02	90203-LDB5-E00	4	E05
88110-LEE8-E00	5	F03	90032-LBA2-E00	3	E02	90203-LDB5-E00	4	E08
88114-LEE8-E00	0	F03	90033-GFY6-900	0	E02	90205-LDB5-E00	2	E05
88120-LEE8-E00	4	F03	90033-GFY6-941	0	E02	90206-0A01-001	1	E02
			90071-MLB0-001	0	E06	90215-KKC4-900	1	F12
89000			90083-KED9-900	2	E02	90242-LEE8-E00	0	F17
			90084-4H28-001	0	E02	90243-LDB5-E00	1	E01
89010-LEE8-E00	4	F09	90084-4H28-001	0	E04	90301-6D34-671	1	F24
			90101-LCA5-E00	2	F15	90301-LDB5-E00	2	F07
			90105-MLL0-731	1	F07	90301-LDB5-E00	2	F08
			90110-LEE8-E00	0	F09	90302-GFY6-901	1	F11
						90302-GFY6-940	1	F01

PART NO. INDEX

PART NO.	VERSION	PAGE	PART NO.	VERSION	PAGE	PART NO.	VERSION	PAGE
90302-LLB1-E00	2	F15	90403-KED9-900	2	E02	90605-KED9-900	2	E07
90302-LLB1-E00	2	F20	90405-LDB5-E00	6	E05	90652-LBA2-E00	1	E02
90302-PWA1-900	2	F03	90406-LDB5-E00	1	E05	90652-LCA4-E00	1	F03
90302-PWA1-900	2	F05	90407-LBA2-E00	2	E01	90652-LDG7-900	1	F13
90302-PWB1-900	2	F05	90407-LDB5-E00	0	E01	90652-LEE8-E00	1	F03
90304-GHE8-004	0	F06	90408-LDB5-900	3	E05	90652-LEE8-E00	1	F04
90304-GHE8-004	0	F16	90421-KAM1-004	0	F18	90652-LEE8-E00	1	F05
90304-GHE8-004	0	F22	90433-KAE1-001	0	E07	90652-LEE8-E00	1	F12
90305-GHK8-001	1	F03	90441-LDB5-E00	3	E01	90653-LDB5-E00	3	F24
90305-GHK8-001	1	F05	90443-LDB5-E00	2	E01	90653-LEE8-E00	0	F24
90306-KLF0-004-SY	1	E01	90451-LBA7-900	1	E08	90654-LEE8-E00	1	F13
90306-KLF0-901	0	F06	90451-LDB5-E00	1	E07	90656-KCBC-900	0	F19
90311-LDB5-E00	1	E08	90452-KED9-900	2	E07	90656-KCBC-900	0	F21
90312-LDB5-E00	1	E08	90452-LDB5-E00	1	E08	90656-KUDU-900	0	F21
90312-LEE8-E00	2	F03	90454-1G07-001	0	E07	90658-PWA2-900	1	F05
90313-LDB5-E00	1	E08	90465-LBA2-E00	1	E02	90677-GAR1-004	1	F03
90314-LDB5-E00	1	E08	90465-MDC4-001	0	E01	90677-GAR1-004	1	F05
90315-LDB5-E00	1	E08	90473-LEE8-E00	1	E07	90677-GAR1-004	1	F12
90316-LDB5-E00	1	E08	90474-3C33-001	1	F17	90701-9E65-001	0	E01
90317-LDB5-E00	1	E08	90478-7L00-001	0	E03	90750-LDB5-E00	3	E01
90318-LDB5-E00	1	E08	90488-7L00-001	0	E02	90914-KED9-900	3	E02
90319-LDB5-E00	1	E08	90501-LDB5-E00	2	E05			
90320-LDB5-E00	1	E08	90501-PWA6-900	1	F14	91000		
90321-LDB5-E00	1	E08	9052A-LDB5-E00	1	E01			
90322-LDB5-E00	1	E08	90541-KED9-900	1	E02	91001-KHV8-004	0	E01
90401-KKJ9-001	0	E04	90545-3L00-001	2	F04	91005-LDB5-E00	1	E01

PART NO. INDEX

PART NO.	VERSION	PAGE	PART NO.	VERSION	PAGE	PART NO.	VERSION	PAGE
91021-LDB5-E00	2	E07	91305-GLE0-001	0	E01	93404-06025-06	0	F05
91106-LDB5-E00	1	E05	91306-1E05-691	0	E03	93500-04010-1A	0	E10
91108-LEE8-E00	1	F17	91306-LDB5-E00	1	E08	93500-05010-0G	0	F02
91201-LCD9-E00	2	E08	91307-0E35-001	0	E04	93500-05012-1A	0	E10
91206-LDB5-E00	0	E01	91308-KED9-900	1	E02	93891-04012-08	0	E10
91211-LDB5-E00	1	E05	91309-4E25-004	0	E06	93891-04030-08	0	E10
91251-LEE8-E00	3	F17	91313-KED9-900	3	E01	93892-04008-18	0	E10
91254-LDB5-E00	3	F06	91351-LDB5-E00	1	E05	93892-04012-08	0	E10
91254-LDB5-E00	3	F16	91508-KGV7-67A	0	F20	93903-25460	0	F13
91255-LDB5-E00	1	E01	91509-LDB5-E00	5	E01	93903-34360	0	F03
91256-LDB5-E00	1	E01				93903-34360	0	F20
91256-LDB5-E00	1	F16	92000			93903-35260	0	F02
91257-LDB5-E00	2	E04				93903-35260	0	F05
91258-LDB5-900	1	E05	92101-05012-0H	0	E06	93903-35360	0	F01
91258-LDB5-E00	2	F06	92101-06010-0H	0	F07	93903-35360	0	F12
91261-LDB5-E00	2	E01				93903-35360	0	F20
91261-LEE8-E00	3	F17	93000			93903-LEE8-E00	0	F06
91271-LEE8-E00	3	F17				93905-LEE8-E00	0	F06
91301-LDB5-E00	1	E04	93404-06012-06	0	F15			
91302-0A01-021	0	E01	93404-06016-06	0	F03	94000		
91302-0A01-021	0	F17	93404-06016-06	0	F05			
91302-LDB5-E00	2	E08	93404-06016-06	0	F11	94001-08080-0S	0	F14
91303-3G77-001	0	E02	93404-06016-06	0	F12	94001-08080-0S	0	F15
91303-3G77-001	0	E04	93404-06016-06	0	F24	94001-12280-0S	0	F06
91303-LDB5-E00	1	E08	93404-06020-06	1	F03	94001-LBA7-900	1	F15
91303-LDB5-E00	1	F18	93404-06020-06	1	F05	94005-PWB1-900	2	E09

PART NO. INDEX

PART NO.	VERSION	PAGE	PART NO.	VERSION	PAGE	PART NO.	VERSION	PAGE
94011-LDB5-E00	2	F07	94102-18800	0	F07	94520-47000	0	E04
94011-LDB5-E00	2	F08	94102-18800	0	F08	94520-65000	1	E01
94012-LLB1-900	1	F06	94102-LDB5-E00	1	F15	94540-12028	0	E07
94030-10080	0	F22	94103-06800	0	F03	94540-12028	0	F15
94050-05060	0	F19	94103-06800	0	F15	94540-50029	0	E10
94050-05080	0	F20	94111-06800	0	F14	94591-25000	0	E10
94050-06080	0	E02	94111-08800	0	F15	94591-KFBF-900	2	E04
94050-06080	0	F21	94201-25300	0	F06	94591-KFBF-900	2	F04
94050-08060	0	F04	94201-40400	0	F07	94591-LEE8-E00	1	E01
94050-08060	0	F15	94201-40400	0	F08	94601-22000	1	E03
94050-08060	0	F23	94251-14000	0	F23			
94050-10060	0	F14	94251-14000	0	F24	95000		
94050-10060	0	F22	94252-08000	1	F15			
94050-LEE8-E00	0	F09	94301-08140	0	E01	95002-02070	0	F24
94050-PWA2-900	1	F03	94301-08140	0	E04	95002-02070	0	F25
94052-LEE8-E00	0	F09	94301-08140	0	E05	95002-02090	0	E09
94101-06000	0	F03	94301-08140	0	E06	95002-02100	0	F10
94101-06600	0	F14	94301-10120	0	F18	95002-02100	0	F24
94101-08000	0	F03	94301-10160	0	E02	95002-02120	0	F10
94101-10800	0	F06	94301-12200	1	E02	95002-02150	0	F13
94101-10800	0	F18	94301-12200	1	E03	95002-40950-08	0	E09
94101-10800	0	F22	94510-10000	0	E06	95002-41050-00	0	E08
94102-12800	0	F06	94510-25000	0	E07	95002-41150-00	0	F16
94102-12800	0	F23	94510-25000	0	E08	95002-45000	0	F24
94102-12800	0	F24	94510-PWB1-900	0	F06	95002-70000	0	F10
94102-14800	0	F15	94520-19000	2	E08	95002-70000	0	F24

PART NO. INDEX

PART NO.	VERSION	PAGE	PART NO.	VERSION	PAGE	PART NO.	VERSION	PAGE
95002-KHE7-900	0	E04	95701-06022-06	1	F12	95701-10020-06	0	F22
95002-KKD6-E05	0	F25	95701-06022-08	0	E02	95701-10035-08	0	F17
95004-LBA7-900	0	F13	95701-06025-08	0	E02	95701-10040-08	0	F14
95004-LBA7-900	0	F24	95701-06040-08	0	E02	95701-LDB5-E00	1	F15
95005-PWB1-900	1	E08	95701-08012-06	0	F07	95701-LEE8-E00	0	F09
95005-PWB1-900	1	E09	95701-08012-06	0	F22	95801-08016-06	0	F15
95007-LEE8-E00	2	F16	95701-08012-06	0	F23	95801-08028-06	0	F04
95008-PWB1-900	4	E09	95701-08012-08	0	F17	95801-10025-06	0	F23
9500C-LEE8-E00	3	F10	95701-08016-06	0	F04	95801-10035-06	0	F06
9500E-LEE8-E00	4	F10	95701-08016-06	0	F15	95801-10050-06	1	F06
95012-KED9-900	1	F11	95701-08016-06	0	F22	95801-10050-06	1	F16
95111-PWB1-900	1	E08	95701-08016-06	0	F23	95801-10055-06	0	F06
95701-06010-06	1	F04	95701-08020-06	1	F07	95801-10060-06	0	F16
95701-06012-00	0	F14	95701-08020-06	1	F10	95801-10070-06	1	F06
95701-06012-06	1	F04	95701-08020-06	1	F22	95801-10110-06	0	F22
95701-06012-06	1	F21	95701-08025-06	0	F18	95801-10130-06	0	F16
95701-06012-06	1	F22	95701-08028-06	1	F06	95801-10195-06	0	F22
95701-06012-06	1	F23	95701-08028-06	1	F15	95801-KED9-900	2	E02
95701-06014-06	0	F24	95701-08030-08	0	F17	95801-LCA5-900	1	F16
95701-06015-08	0	E09	95701-08032-06	0	F18	95801-LEE8-E00	1	F16
95701-06016-06	0	F10	95701-08035-06	1	F18			
95701-06016-06	0	F12	95701-08040-08	0	E09	96000		
95701-06016-06	0	F20	95701-10020-06	0	F06			
95701-06016-06	0	F21	95701-10020-06	0	F14	96001-06012-08	0	E01
95701-06016-06	0	F22	95701-10020-06	0	F16	96001-06012-08	0	E06
95701-06020-06	1	F22	95701-10020-06	0	F18	96001-06014-08	0	E02

PART NO. INDEX

PART NO.	VERSION	PAGE	PART NO.	VERSION	PAGE	PART NO.	VERSION	PAGE
96001-06016-00	0	E01	96100-60060-00	0	F16	98000		
96001-06016-08	0	E01	96100-60080-00	0	E09			
96001-06016-08	0	F21	96100-60090-00	2	F17			
96001-06018-08	0	E02	96100-62040-00	0	E01	98059-57916-00	2	E02
96001-06018-08	0	E05	96100-62100-00	0	F17	98200-31500	0	F21
96001-06022-08	0	E05	96100-63030-00	0	E01	98200-33000	0	F21
96001-06025-08	0	E01	96100-63040-00	1	E01			
96001-06025-08	0	E04	96100-63050-00	0	E09			
96001-06025-08	0	E05	96100-63060-00	0	E01			
96001-06028-06	0	E04	96100-64050-00	1	E01			
96001-06030-08	0	E01	96100-69060-00	1	E04			
96001-06032-08	0	E01	96104-LDB5-90A	1	E05			
96001-06032-08	0	E04	96104-LDB5-90B	1	E05			
96001-06032-08	0	E05	96105-LDB5-90C	0	E05			
96001-06032-08	0	E06	96106-LDB5-E00	1	E01			
96001-06035-08	0	E04	96107-LDB5-E00	1	E01			
96001-06035-08	0	E06	96150-60060-10	0	F06			
96001-06040-08	0	E01	96201-10000	0	F16			
96001-06040-08	0	E03	96211-08000	0	F15			
96001-06040-08	0	E04	96211-16000	2	E01			
96001-06040-08	0	E06	96600-08010-10	1	E01			
96001-06050-08	0	E01	96600-08015-10	1	E06			
96001-06080-08	0	E01	96600-10028-06	0	F22			
96001-06085-06	0	E01	96600-LDB5-E00	1	E01			
96001-06090-08	0	E01						
96001-06110-08	0	E01						