

PARTS CATALOGUE



SCOOTERS

SK60AA(FR)

DINKSTREET 300i



Date : 2009/10/16

ABOUT THIS PARTS LIST

- This parts list is compiled all service parts for model SK60AA(FR).
- Any difference between color chart and motorcycle will be revised according to motorcycle.
- The sales mark:
 1. marking "***" must add color code in the end before ordering parts.
- When modification or additions to this parts list are made a revised edition at an appropriate time.

CONTENTS

● ABOUT THIS PARTS LIST	1
● COLOR CHART OF SK60AA(FR)	3
● CONTENTS-ENGINE GROUP	11
● CONTENTS-FRAME GROUP	12
● ENGINE PARTS LIST	15
● FRAME PARTS LIST	45
● PART NO. INDEX	111

NO	MODEL			SK60AA(FR) COLOR CHART			
	PHOTO NO			NO. 1	NO. 2	NO. 3	NO. 4
	BASIC COLOR			Bright Silver	Dark Gray Metallic	Dark Gray Metallic	Pearly White
	CODE			Bright Silver	Dark Gray Metallic	Dark Gray Metallic	Pearly White
	PARTS NAME	PARTS NO.	VERSION	NH045MA	NH124MA	NH230MA	NH193PA
1	FENDER ASSY FR	61100-LEA7-E00	3	D0C	D0M	D1J	D1S
2	GRIP COMP THROT	53140-LEA7-E00	0	H5R			
3	GRIP COMP.,L HANDLE	53150-LEA6-900	3				
4	Cosmetic ,METER	37216-LEA7-E00	0				
5	WIND SCREEN	64220-LEA7-E00	0				
6	LEVER R STRG HANDLE	53175-KKE5-E00	0				
7	LEVER L STRG HANDLE	53178-KKE5-E00	0	M3A			
8	LID FR COVER	64307-LEA7-E00	4	N1P			
9	MESH ,UNDER COWL	64401-LEA7-E00	2				
10	TUNNEL, LEG SHIELD	81141-LEA7-E00	2				
11	MIRROR ASSY,R BACK	88110-LEA7-E00	0				
12	MIRROR ASSY,L BACK	88120-LEA7-E00	0				
13	COVER,UNDER	50613-LEA7-E00	1	N1R			
14	COVER, METER FR	53203-LEA7-E00	2				
15	COVER, METER RR	53204-LEA7-E00	2				
16	COVER, HANDLE UP	53205-LEA7-E00	2				
17	COVER, HANDLE LOW	53206-LEA7-E00	2				
18	FENDER, FR. INNER	61101-LEA7-E00	1				
19	PLUG,WIND SCREEN	64223-LEA7-E00	2				
20	FLOOR,PANEL R/L	64310-LEA7-E00	3				
21	LID RESERVE TANK	64311-LEA7-E00	1				
22	BOARD,R PANEL FLOOR	64312-LEA7-E00	2				
23	BOARD,L PANEL FLOOR	64313-LEA7-E00	2				
24	MAT,R FLOOR	64320-LEA7-E00	0				
25	FLOOR,PANEL R/L	64330-LEA7-E00	3				
DATE OF STARTING-SALES							
DATE OF END-SALES							

NO	MODEL			SK60AA(FR) COLOR CHART			
	PHOTO NO			NO. 5	NO. 6		
	BASIC COLOR			Ivory White	Dark Redish Brown		
	CODE			Ivory White	Dark Redish Brown		
	PARTS NAME	PARTS NO.	VERSION	NH190PA	RR174MA		
1	FENDER ASSY FR	61100-LEA7-E00	3	D1Y	DDS		
2	GRIP COMP THROT	53140-LEA7-E00	0	H5R			
3	GRIP COMP.,L HANDLE	53150-LEA6-900	3				
4	Cosmetic ,METER	37216-LEA7-E00	0	HZF			
5	WIND SCREEN	64220-LEA7-E00	0	L9R			
6	LEVER R STRG HANDLE	53175-KKE5-E00	0	M3A			
7	LEVER L STRG HANDLE	53178-KKE5-E00	0				
8	LID FR COVER	64307-LEA7-E00	4	N1P			
9	MESH ,UNDER COWL	64401-LEA7-E00	2				
10	TUNNEL, LEG SHIELD	81141-LEA7-E00	2				
11	MIRROR ASSY,R BACK	88110-LEA7-E00	0				
12	MIRROR ASSY,L BACK	88120-LEA7-E00	0				
13	COVER,UNDER	50613-LEA7-E00	1	N1R			
14	COVER, METER FR	53203-LEA7-E00	2				
15	COVER, METER RR	53204-LEA7-E00	2				
16	COVER, HANDLE UP	53205-LEA7-E00	2				
17	COVER, HANDLE LOW	53206-LEA7-E00	2				
18	FENDER, FR. INNER	61101-LEA7-E00	1				
19	PLUG,WIND SCREEN	64223-LEA7-E00	2				
20	FLOOR,PANEL R/L	64310-LEA7-E00	3				
21	LID RESERVE TANK	64311-LEA7-E00	1				
22	BOARD,R PANEL FLOOR	64312-LEA7-E00	2				
23	BOARD,L PANEL FLOOR	64313-LEA7-E00	2				
24	MAT,R FLOOR	64320-LEA7-E00	0				
25	FLOOR,PANEL R/L	64330-LEA7-E00	3				
DATE OF STARTING-SALES							
DATE OF END-SALES							

NO	MODEL			SK60AA(FR) COLOR CHART							
	PHOTO NO			NO. 1	NO. 2	NO. 3	NO. 4				
	BASIC COLOR			Bright Silver	Dark Gray Metallic	Dark Gray Metallic	Pearly White				
	CODE			Bright Silver	Dark Gray Metallic	Dark Gray Metallic	Pearly White				
	PARTS NAME	PARTS NO.	VERSION	NH045MA	NH124MA	NH230MA	NH193PA				
26	MAT,L FLOOR	64340-LEA7-E00	0	N1R							
27	MAT ,R LEG SHIELD	64350-LEA7-E00	0								
28	MAT ,L LEG SHIELD	64360-LEA7-E00	0								
29	COWL,UNDER	64400-LEA7-E00	2								
30	UNDER COWL LOW	64500-LEA7-E00	2								
31	FENDER, RR. TIRE	80100-LEA7-E00	2								
32	FENDER, RR. INNER	80101-LEA7-E00	2								
33	FENDER,RR	80105-LEA7-E00	1								
34	FENDER LOW, RR.	80106-LEA7-E00	0								
35	COVER LICENSE LIGHT	80107-LEA7-E00	0								
36	COVER,CENTER	80151-LEA7-E00	1								
37	COVER, PLUG MAINT.	80152-LEA7-E00	2								
38	LEG SHIELD	81131-LEA7-E00	1								
39	LID,L/H FR INNER BOX	81132-LEA7-E00	3								
40	BOX,L/H FR INNER	81134-LEA7-E00	1								
41	COVER,FR	64301-LEA7-E00	2					N8P NFP HKP NVP			
42	COVER, R BODY	83500-LEA7-E00	0								
43	COVER, L BODY	83600-LEA7-E00	0								
44	COVER,RR CENTER	83750-LEA7-E00	2								
45	COVER COMP.,RIGHT	11330-LEA7-E00	7								
46	COVER, WATER PUMP	19221-LEA7-E00	0	NEA							
47	WHEEL COMP., RR	42601-LEA7-E00	2								
48	CALIPER ASSY, RR	43100-LEA7-E00	2								
49	WHEEL ASSY FR	44600-LEA7-305	0								
50	CALIPER ASSY, FR	45200-LEA7-E00	2								
DATE OF STARTING-SALES											
DATE OF END-SALES											

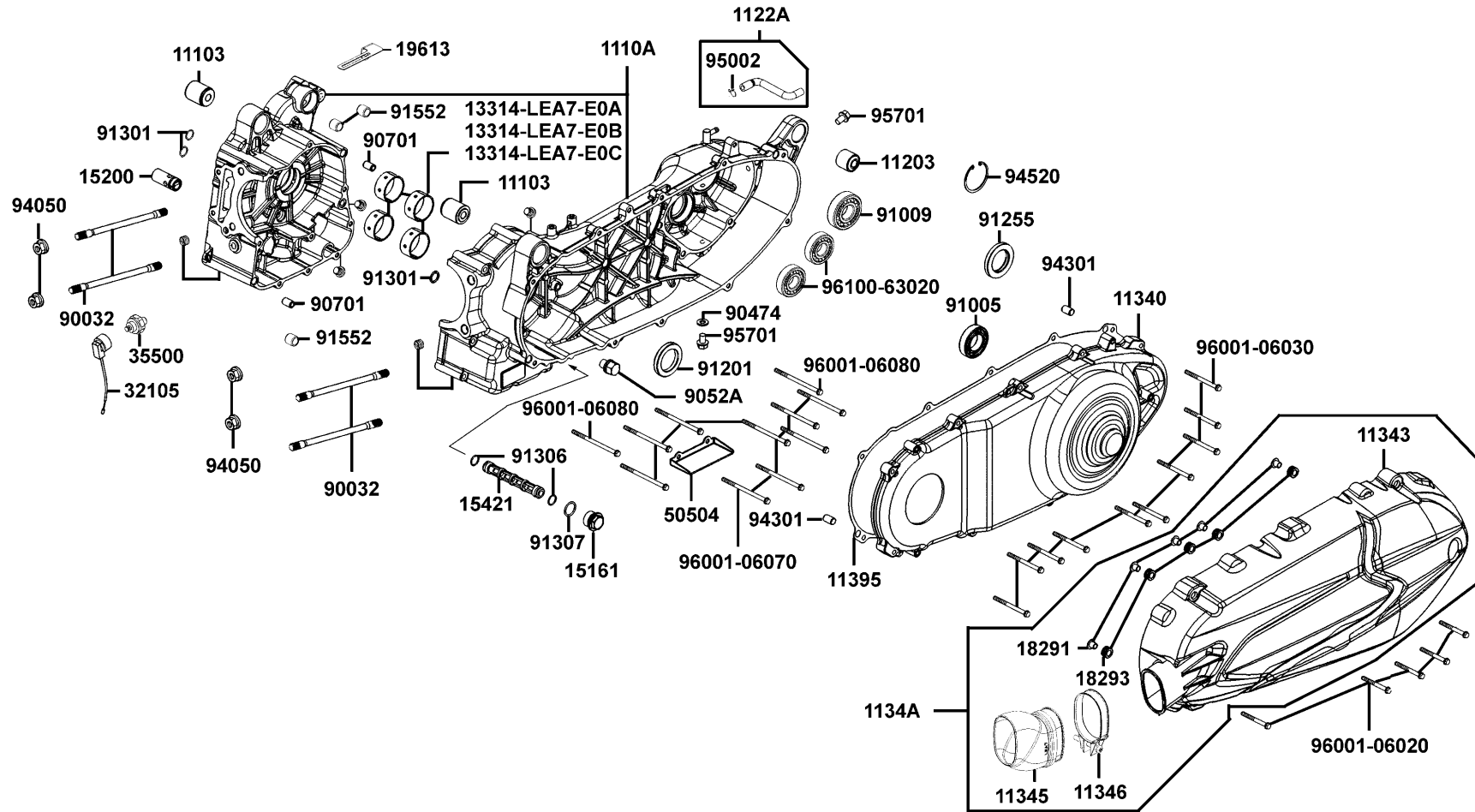
NO	MODEL			SK60AA(FR) COLOR CHART							
	PHOTO NO			NO. 5	NO. 6						
	BASIC COLOR			Ivory White	Dark Redish Brown						
	CODE			Ivory White	Dark Redish Brown						
	PARTS NAME	PARTS NO.	VERSION	NH190PA	RR174MA						
26	MAT,L FLOOR	64340-LEA7-E00	0	N1R							
27	MAT ,R LEG SHIELD	64350-LEA7-E00	0								
28	MAT ,L LEG SHIELD	64360-LEA7-E00	0								
29	COWL,UNDER	64400-LEA7-E00	2								
30	UNDER COWL LOW	64500-LEA7-E00	2								
31	FENDER, RR. TIRE	80100-LEA7-E00	2								
32	FENDER, RR. INNER	80101-LEA7-E00	2								
33	FENDER,RR	80105-LEA7-E00	1								
34	FENDER LOW, RR.	80106-LEA7-E00	0								
35	COVER LICENSE LIGHT	80107-LEA7-E00	0								
36	COVER,CENTER	80151-LEA7-E00	1								
37	COVER, PLUG MAINT.	80152-LEA7-E00	2								
38	LEG SHIELD	81131-LEA7-E00	1								
39	LID,L/H FR INNER BOX	81132-LEA7-E00	3								
40	BOX,L/H FR INNER	81134-LEA7-E00	1								
41	COVER,FR	64301-LEA7-E00	2					HXP EFP			
42	COVER, R BODY	83500-LEA7-E00	0								
43	COVER, L BODY	83600-LEA7-E00	0								
44	COVER,RR CENTER	83750-LEA7-E00	2	NEA							
45	COVER COMP.,RIGHT	11330-LEA7-E00	7								
46	COVER, WATER PUMP	19221-LEA7-E00	0								
47	WHEEL COMP., RR	42601-LEA7-E00	2								
48	CALIPER ASSY, RR	43100-LEA7-E00	2								
49	WHEEL ASSY FR	44600-LEA7-305	0								
50	CALIPER ASSY, FR	45200-LEA7-E00	2								
DATE OF STARTING-SALES											
DATE OF END-SALES											

NO	MODEL			SK60AA(FR) COLOR CHART			
	PHOTO NO			NO. 1	NO. 2	NO. 3	NO. 4
	BASIC COLOR			Bright Silver	Dark Gray Metallic	Dark Gray Metallic	Pearly White
	CODE			Bright Silver	Dark Gray Metallic	Dark Gray Metallic	Pearly White
	PARTS NAME	PARTS NO.	VERSION	NH045MA	NH124MA	NH230MA	NH193PA
51	FORK ASSY, FR R	51400-LEA7-E00	3	NEA			
52	BOTTOM CASE R	51420-LEA7-E00	0				
53	FORK ASSY, FR L	51500-LEA7-E00	3				
54	BOTTOM CASE L	51520-LEA7-E00	0				
55	FORK ASSY, RR	52000-LEA7-E00	3				
56	BOARD,R FR COVER	64303-LEA7-E00	0	NEP			
57	BOARD,L FR COVER	64304-LEA7-E00	0				
58	SKIRT,R SIDE	64305-LEA7-E00	2				
59	SKIRT,L SIDE	64306-LEA7-E00	2				
60	MOLD,RR CENTER	83751-LEA7-E00	1				
61	CUSHION ASSY, RR	52400-LEA7-E00	1	NES			
62	L COVER COVER	11343-LEA7-E00	0	NH105			
63	L COVER, COVER COMP	1134A-LEA7-E00	1				
64	SEAT ASSY	77200-LEA7-305	0	T01			
65	EMB K-LOGO 28MM	86102-LEA5-E00	1				
66	EMB BODY COVER	86202-LFA7-E60	0				
67	EMB MARK 300i	87140-LEA7-E60	0				
68	STRIPE MARK EURO 3	87311-LCD3-E00	1				
69	LABEL TIRE	87505-LEA7-E01	0				
70	LABEL CLEANNESS	87508-KKC4-E00	1				
71	CAUTION FILTER	87512-KEBE-E00	0				
72	CAUTION AUTO SIDE	87541-GAR1-E00	1				
73	CAUTION MOBILE	87541-KKC2-E00	1				
74	MARK MAINT CAUTION	87542-GAR1-E00	2				
75	MARK DRIVE CAUTION	87560-LEA7-E00	0				
DATE OF STARTING-SALES							
DATE OF END-SALES							

NO	MODEL			SK60AA(FR) COLOR CHART			
	PHOTO NO			NO. 5	NO. 6		
	BASIC COLOR			Ivory White	Dark Redish Brown		
	CODE			Ivory White	Dark Redish Brown		
	PARTS NAME	PARTS NO.	VERSION	NH190PA	RR174MA		
51	FORK ASSY, FR R	51400-LEA7-E00	3	NEA			
52	BOTTOM CASE R	51420-LEA7-E00	0				
53	FORK ASSY, FR L	51500-LEA7-E00	3				
54	BOTTOM CASE L	51520-LEA7-E00	0				
55	FORK ASSY, RR	52000-LEA7-E00	3				
56	BOARD,R FR COVER	64303-LEA7-E00	0	NEP			
57	BOARD,L FR COVER	64304-LEA7-E00	0				
58	SKIRT,R SIDE	64305-LEA7-E00	2				
59	SKIRT,L SIDE	64306-LEA7-E00	2				
60	MOLD,RR CENTER	83751-LEA7-E00	1				
61	CUSHION ASSY, RR	52400-LEA7-E00	1	NES			
62	L COVER COVER	11343-LEA7-E00	0	NH105			
63	L COVER, COVER COMP	1134A-LEA7-E00	1				
64	SEAT ASSY	77200-LEA7-305	0	T01			
65	EMB K-LOGO 28MM	86102-LEA5-E00	1				
66	EMB BODY COVER	86202-LFA7-E60	0				
67	EMB MARK 300i	87140-LEA7-E60	0				
68	STRIPE MARK EURO 3	87311-LCD3-E00	1				
69	LABEL TIRE	87505-LEA7-E01	0				
70	LABEL CLEANNESS	87508-KKC4-E00	1				
71	CAUTION FILTER	87512-KEBE-E00	0				
72	CAUTION AUTO SIDE	87541-GAR1-E00	1				
73	CAUTION MOBILE	87541-KKC2-E00	1				
74	MARK MAINT CAUTION	87542-GAR1-E00	2				
75	MARK DRIVE CAUTION	87560-LEA7-E00	0				
DATE OF STARTING-SALES							
DATE OF END-SALES							

E01

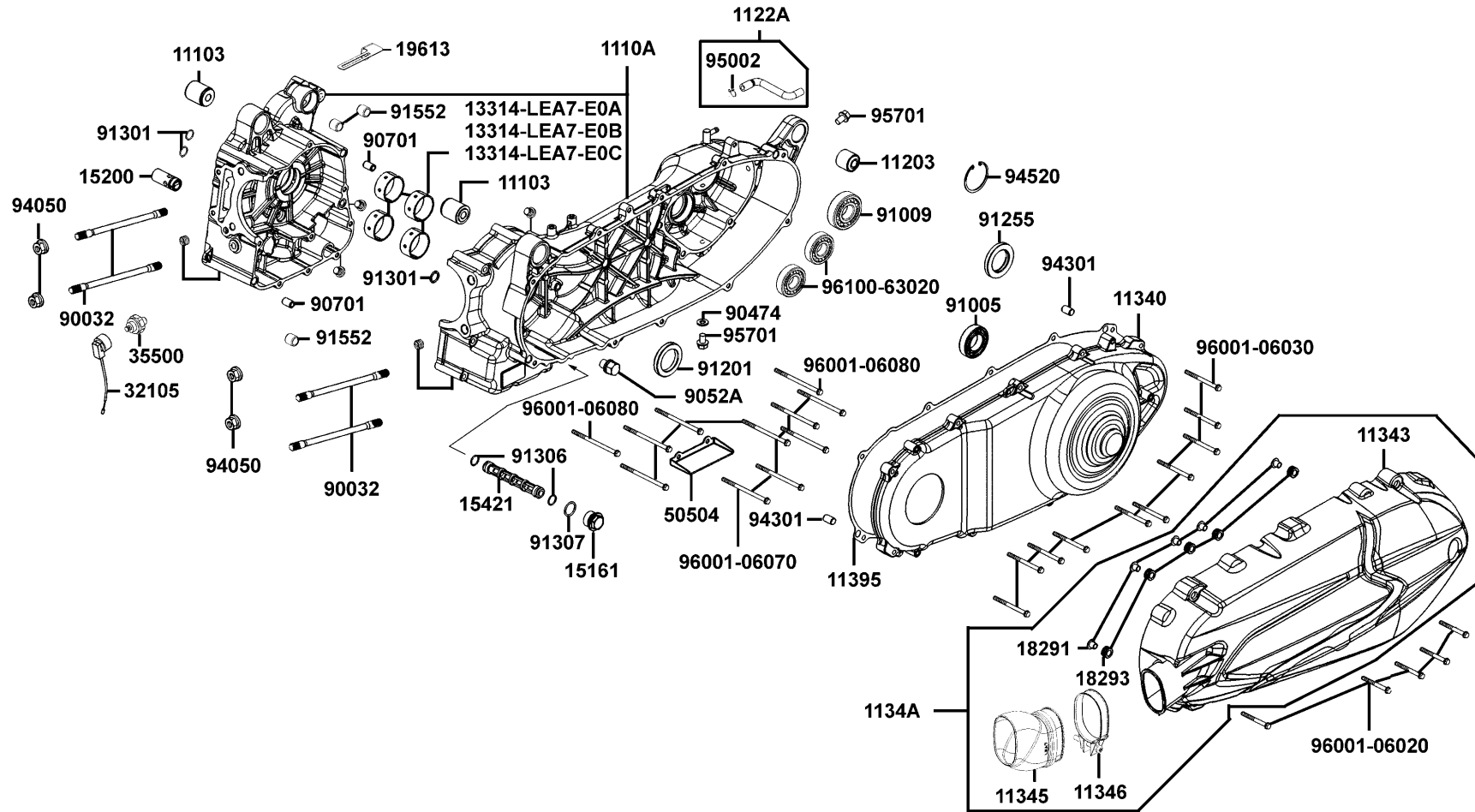
Crank Case



Sales mark	Ref no	Part no	Description	Reg description	Regd no	E01
	11103	11103-KHE7-900	RUB BUSH ENG HANGER	RUB BUSH ENG HANGER	2	
	1110A	1110A-LEA7-E00	CASE R/L ASSY	CASE R/L ASSY	1	
	11203	11203-LBA2-E00	RUB BUSH L CASE	RUB BUSH L CASE	1	
	1122A	1122A-LEA7-E00	TUBE ASSY BREATHER	TUBE ASSY BREATHER	1	
	11340	11340-LEA7-E00	COVER, L SIDE	COVER, L SIDE	1	
**	11343	11343-LEA7-E00	L COVER COVER	L COVER COVER	1	
	11345	11345-LEA7-E00	DUCT , L COVER	DUCT , L COVER	1	
	11346	11346-GFY6-901	BAND L COVER DUCT	BAND L COVER DUCT	1	
**	1134A	1134A-LEA7-E00	L COVER, COVER COMP	L COVER, COVER COMP	1	
	11395	11395-LEA7-E00	GASKET,L COVER	GASKET,L COVER	1	
	13314-LEA7-E0A	13314-LEA7-E0A	BEARING CRANK SHAFT A	BEARING CRANK SHAFT A	1	
	13314-LEA7-E0B	13314-LEA7-E0B	BEARING CRANK SHAFT A	BEARING CRANK SHAFT A	1	
	13314-LEA7-E0C	13314-LEA7-E0C	BEARING CRANK SHAFT A	BEARING CRANK SHAFT A	1	
	15161	15161-PUA5-E00	PLUG SCREW SECTION FILTER	PLUG SCREW SECTION FILTER	1	
	15200	15200-KED9-900	OIL RELIEF VALVE ASSY	OIL RELIEF VALVE ASSY	1	
	15421	15421-LEA7-E00	SCREEN, OIL FILTER	SCREEN, OIL FILTER	1	
	18291	18291-KKC4-900	COLLAR	COLLAR	5	
	18293	18293-KKC4-900	RUBBER	RUBBER	5	
	19613	19613-LEA7-E00	CLAMPER STARTER MOTOR CORD	CLAMPER STARTER MOTOR CORD	1	
	32105	32105-LLJ3-E00	SUB HARNESS	SUB HARNESS	1	

E01

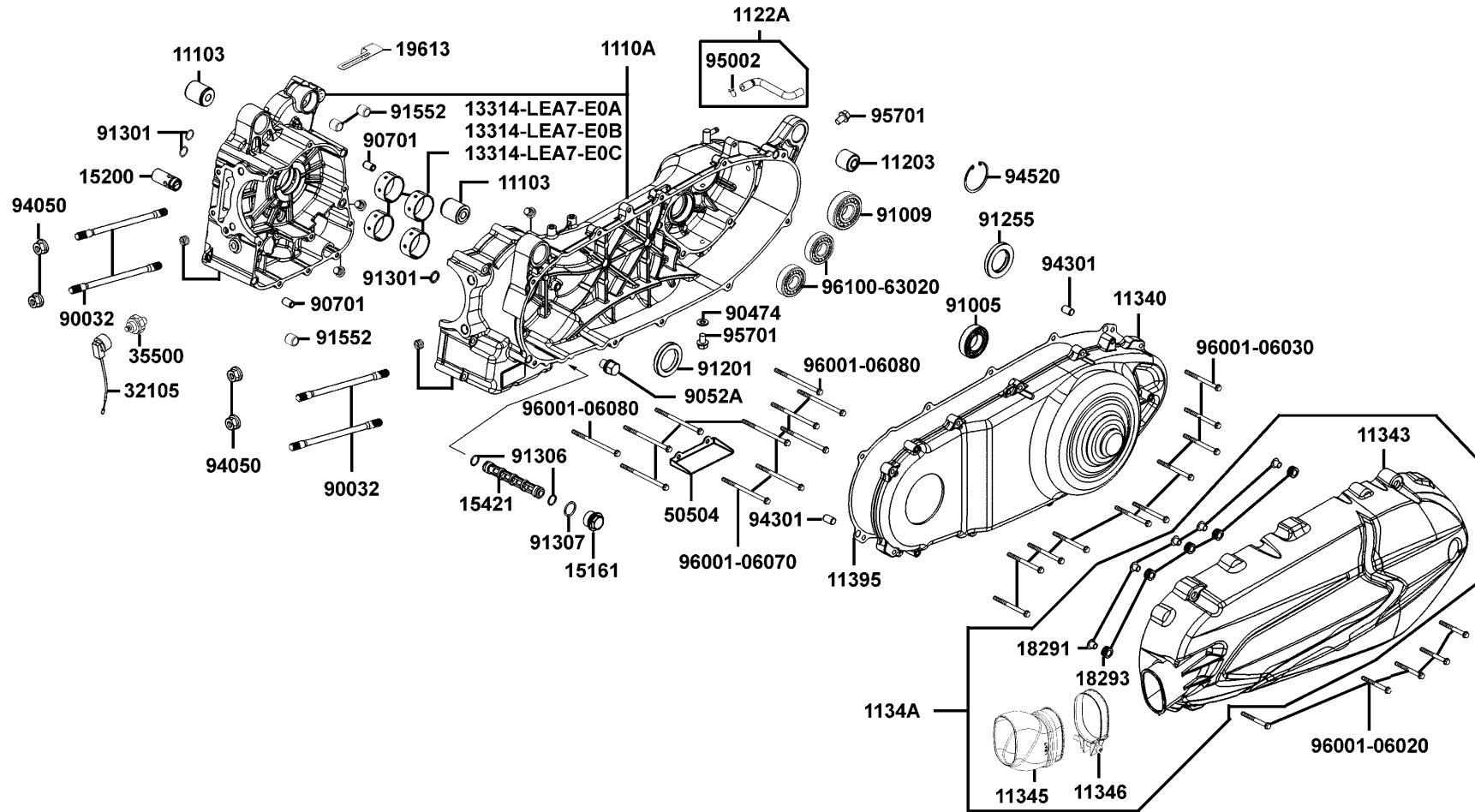
Crank Case



Sales mark	Ref no	Part no	Description	Reg description	Regd no	E01
	35500	35500-KED9-900	SW ASSY OIL PRESSURE	SW ASSY OIL PRESSURE	1	
	50504	50504-LEA7-E00	STAY,MAIN STAND COMP.	STAY,MAIN STAND COMP.	1	
	90032	90032-LEA7-E00	BOLT B STUD 10X180	BOLT B STUD 10X180	4	
	90474	90474-3C33-001	WASHER 8MM	WASHER 8MM	1	
	9052A	9052A-LEB1-900	BOLT ASSY DRAIN PLUG	BOLT ASSY DRAIN PLUG	1	
	90701	90701-9E65-001	PIN DOWEL 10*16	PIN DOWEL 10*16	2	
	91005	91005-LBA7-900	BEARING BALL RADIAL 6005LLU	BEARING BALL RADIAL 6005LLU	1	
	91009	91009-KHE7-900	BRG BALL RADIAL 6205LLU	BRG BALL RADIAL 6205LLU	1	
	91201	91201-LEA7-E00	OIL SEAL 35X50X7	OIL SEAL 35X50X7	1	
	91255	91255-KHE7-900	OIL SEAL 34*52*7	OIL SEAL 34*52*7	1	
	91301	91301-2L00-001	O-RING 6.8*1.9	O-RING 6.8*1.9	3	
	91306	91306-PUA5-E00	O-RING_13X1_5	O-RING_13X1_5	2	
	91307	91307-PUA5-E00	O-RING_18X2	O-RING_18X2	1	
	91552	91552-LEA7-E00	COLLAR.10.5MM	COLLAR.10.5MM	3	
	94050	94050-10060	NUT FLANGE 10MM	NUT FLANGE 10MM	4	
	94301	94301-10160	DOWEL PIN 10*16	DOWEL PIN 10*16	2	
	94520	94520-47000	CIR CLIP IN 47	CIR CLIP IN 47	1	
	95002	95002-50000	CLIP C9 TUBE	CLIP C9 TUBE	0	
	95701	95701-08012-08	BOLT FLANGE 8*12	BOLT FLANGE 8*12	2	
	96001-06020	96001-06020-06	BOLT FLANGE 6*20	BOLT FLANGE 6*20	5	

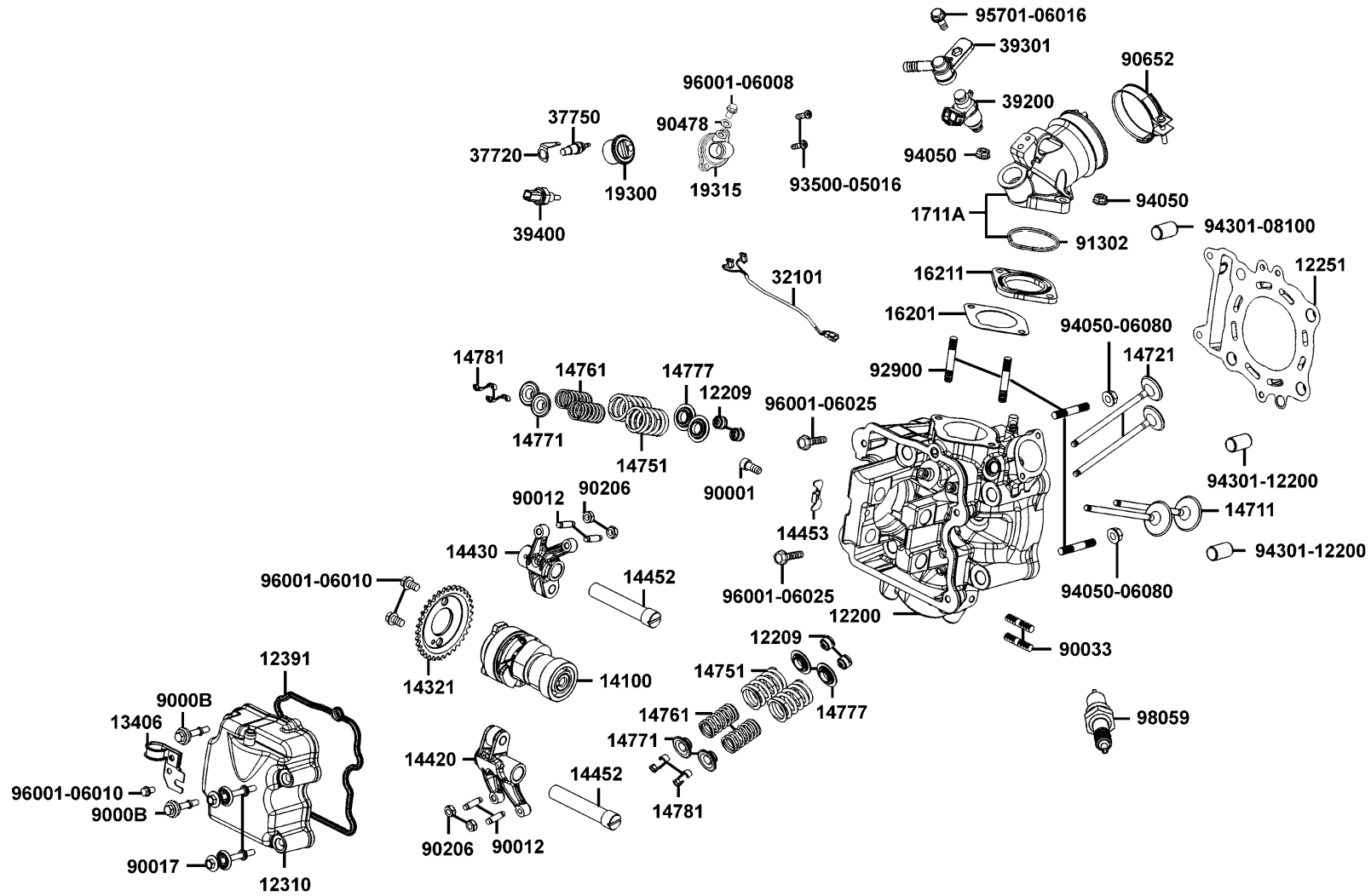
E01

Crank Case



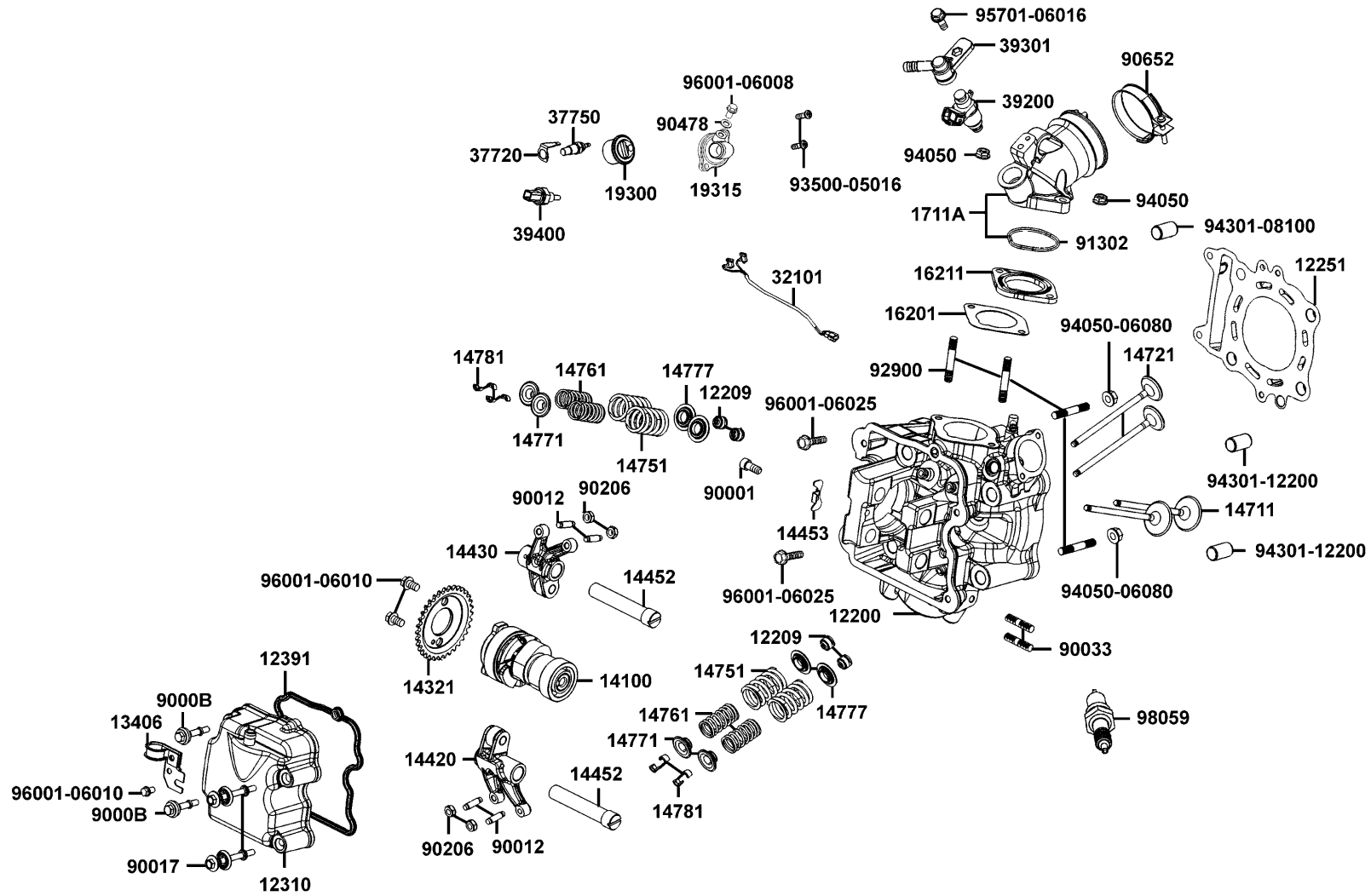
Sales mark	Ref no	Part no	Description	Reg description	Regd no	E01
	96001-06030	96001-06030-08	BOLT FLANGE SH 6*30	BOLT FLANGE SH 6*30	10	
	96001-06070	96001-06070-08	BOLT FLANGE SH 6*70	BOLT FLANGE SH 6*70	6	
	96001-06080	96001-06080-08	BOLT FLANGE SH 6*80	BOLT FLANGE SH 6*80	2	
	96100	96100-63020-00	BRG BALL RADIAL 6302	BRG BALL RADIAL 6302	2	

Cylinder Head Cover Cylinder Head



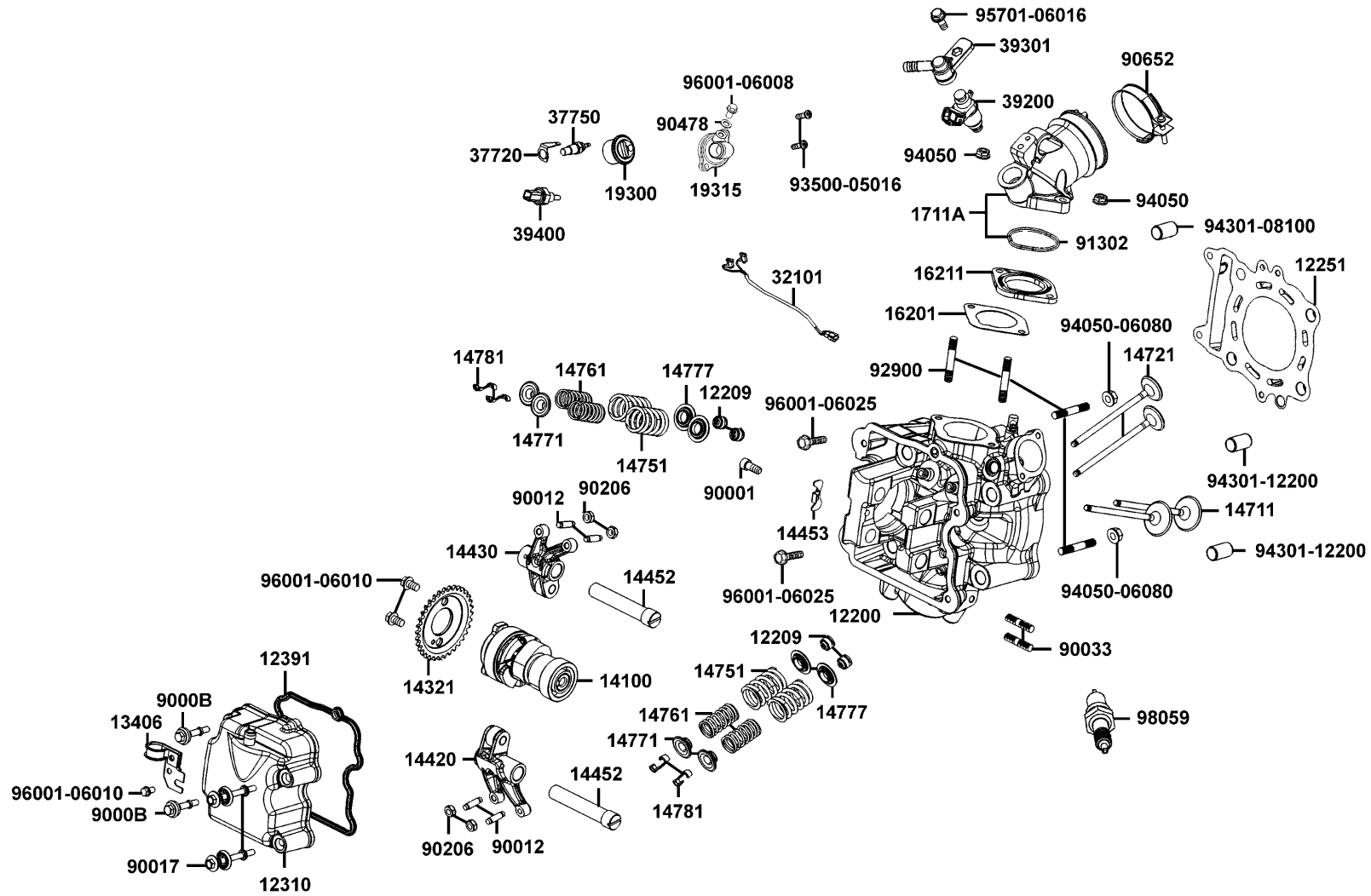
Sales mark	Ref no	Part no	Description	Reg description	Regd no	E02
12200		12200-LEA7-E00	HEAD COMP.CYLN	HEAD COMP.CYLN	1	
12209		12209-GDB4-68A	SEAL VALVE STEM	SEAL VALVE STEM	4	
12251		12251-LEA7-E00	GASKET,CLINDER HEAD	GASKET,CLINDER HEAD	1	
12310		12310-LEA7-E00	COVER COMP. CYLN HEAD	COVER COMP. CYLN HEAD	0	
12391		12391-LEA7-E00	GASKET,HEAD COVER	GASKET,HEAD COVER	1	
13406		13406-LEA7-E00	PLATE FUEL IN JECTOR	PLATE FUEL IN JECTOR	1	
14100		14100-LEA7-E00	SHAFT COMP CAM	SHAFT COMP CAM	1	
14321		14321-LEA7-E00	SPROCKET,CAMSHAFT	SPROCKET,CAMSHAFT	1	
14420		14420-LEA7-E00	ARM COMP, EXH VALVE ROCKER	ARM COMP, EXH VALVE ROCKER	1	
14430		14430-LEA7-E00	ARM COMP, IN VALVE ROCKER	ARM COMP, IN VALVE ROCKER	1	
14452		14452-LEA7-E00	SHAFT,EX. ROCKER ARM	SHAFT,EX. ROCKER ARM	2	
14453		14453-LEA7-E00	SET PLATE,ROCKER ARM SHAFT	SET PLATE,ROCKER ARM SHAFT	1	
14711		14711-LEA7-E00	VALVA,INLET	VALVA,INLET	2	
14721		14721-LEA7-E00	VALVE.EXHAUST	VALVE.EXHAUST	2	
14751		14751-LEA7-E00	SPRING,VALVE OUTER	SPRING,VALVE OUTER	4	
14761		14761-LEA7-E00	SPRING,VALVE INNER	SPRING,VALVE INNER	4	
14771		14771-GDB4-680	RETAINER VALVE SPRING	RETAINER VALVE SPRING	4	
14777		14777-LBA2-E00	SEAT VALVE SPG	SEAT VALVE SPG	4	
14781		14781-MFA6-001	COTTER VALVE	COTTER VALVE	8	
16201		16201-LEA7-E00	GASKET,CARB INSULATOR @A	GASKET,CARB INSULATOR @A	1	

Cylinder Head Cover Cylinder Head



Sales mark	Ref no	Part no	Description	Reg description	Regd no	E02
	16211	16211-LEA7-E00	INSULATOR,CARB	INSULATOR,CARB	1	
	1711A	1711A-LEA7-E00	PIPE ASSY.,INLET	PIPE ASSY.,INLET	1	
	19300	19300-KAE1-004	THERMOSTAT ASSY	THERMOSTAT ASSY	1	
	19315	19315-LFA7-E00	COVER COMP THERMOSTAT	COVER COMP THERMOSTAT	1	
	32101	32101-LEA7-E00	SUB HARNESS,THERMO UNIT	SUB HARNESS,THERMO UNIT	1	
	37720	37720-KGB5-900	EARTH TERMINAL THERMO	EARTH TERMINAL THERMO	1	
	37750	37750-PAC1-005	THERMO UNIT ASSY	THERMO UNIT ASSY	1	
	39200	39200-LEA7-E00	ECU ASSY	ECU ASSY	1	
	39301	39301-LDF2-900	CUP COMP FUEL INJECTOR	CUP COMP FUEL INJECTOR	1	
	39400	39400-LDF2-800	WATER TEMP SENSOR	WATER TEMP SENSOR	1	
	90001	90001-GFY6-901	SOCKET BOLT 6*10	SOCKET BOLT 6*10	1	
	9000B	9000B-KHD6-900	BOLT ASSY SPECIAL 6*41.5	BOLT ASSY SPECIAL 6*41.5	2	
	90012	90012-3C33-001	SCREW TAPPET ADJUSTING	SCREW TAPPET ADJUSTING	4	
	90017	90017-KKE5-E00	BOLT ASSY HEAD COVER	BOLT ASSY HEAD COVER	2	
	90033	90033-KGB4-C00	BOLT STUD 8*40	BOLT STUD 8*40	2	
	90206	90206-0A01-001	NUT TAPPET ADJG	NUT TAPPET ADJUSTING	4	
	90478	90478-7L00-001	WASHER 6MM	WASHER A 6MM	1	
	90652	90652-LDG7-900	C-HOPE 10-59	C-HOPE 10-59	0	
	91302	91302-LEA7-E00	O-RING	O-RING	1	
	92900	92900-06040-0E	BOLT STUD 6*40	BOLT STUD 6*40	4	

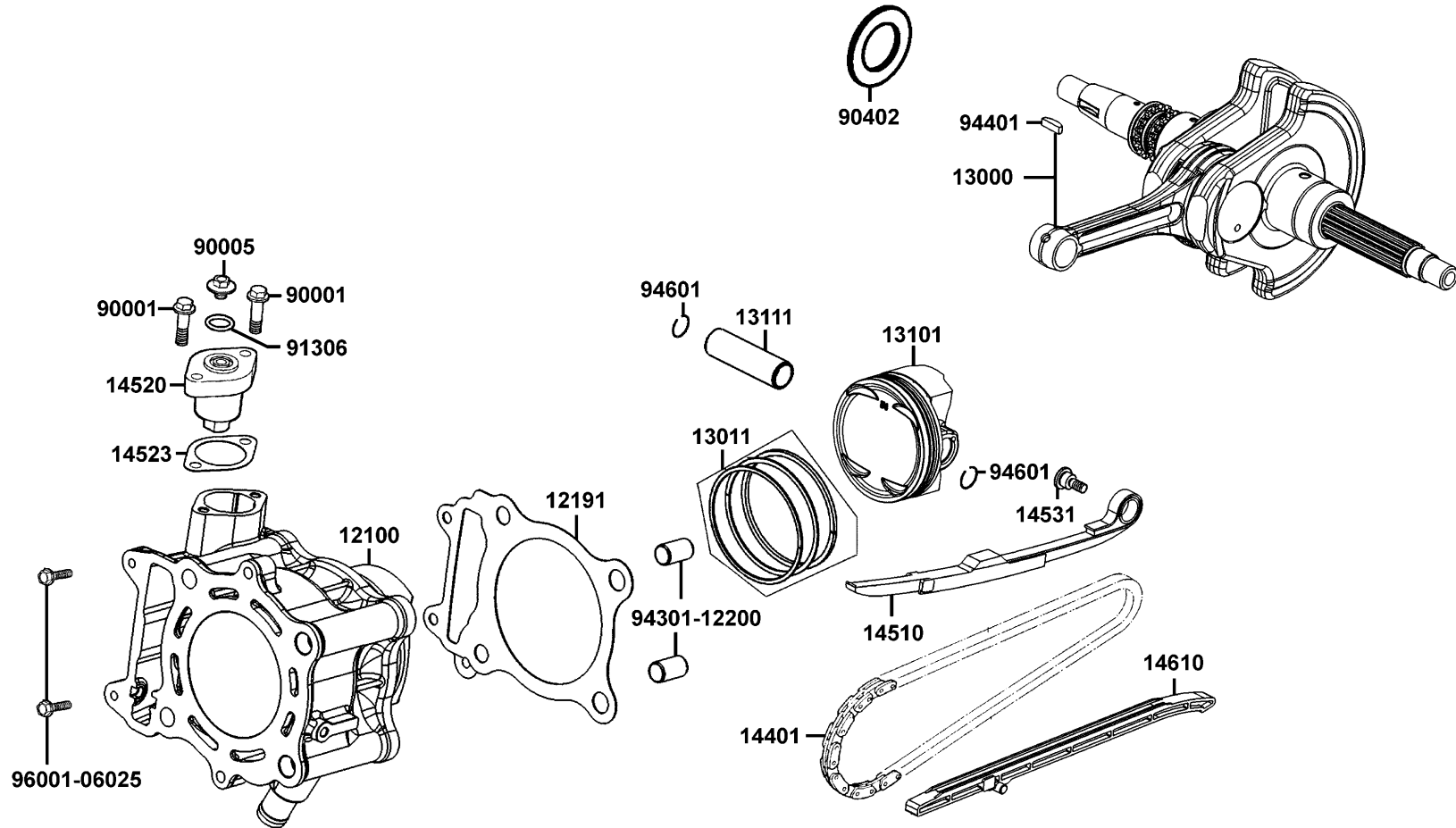
Cylinder Head Cover Cylinder Head



Sales mark	Ref no	Part no	Description	Reg description	Regd no	E02
	93500	93500-05016-0H	SCREW PAN 5*16	SCREW PAN 5*16	2	
	94050	94050-06080	NUT FLANGE 6MM	NUT FLANGE 6MM	4	
	94301-08100	94301-08100	DOWEL PIN 8*10	DOWEL PIN 8*10	1	
	94301-12200	94301-12200	DOWEL PIN 12*20	DOWEL PIN 12*20	2	
	95701	95701-06016-08	BOLT FLANGE 6*16	BOLT FLANGE 6*16	1	
	96001-06008	96001-06008-07	BOLT FLANGE SH 6*8	BOLT FLANGE SH 6X18	1	
	96001-06010	96001-06010-06	BOLT FLANGE 6*10	BOLT FLANGE 6*10	3	
	96001-06025	96001-06025-06	BOLT FLANGE 6*25	BOLT FLANGE 6*25	2	
	98059	98059-58916-00	PLUG SPARK(CR8E)	SPARK PLUG CR8E	1	

E03

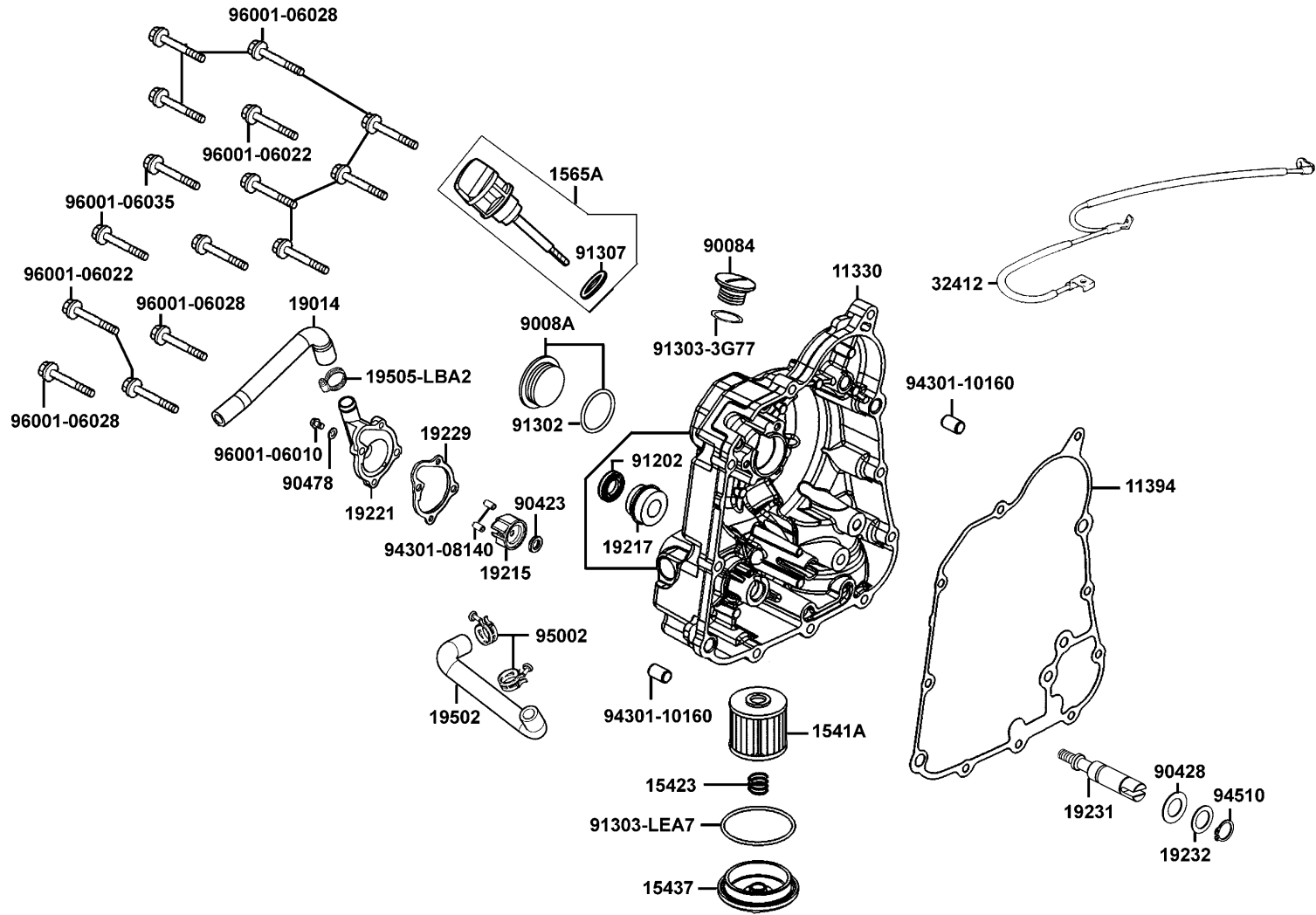
Cylinder Piston Crankshaft



Sales mark	Ref no	Part no	Description	Reg description	Regd no	E03
	12100	12100-LEA7-E00	CYLINDER COMP.	CYLINDER COMP.	1	
	12191	12191-LEA7-E00	GASKET,CYLINDER	GASKET,CYLINDER	1	
	13000	13000-LEA7-E00	CRANK SHAFT COMP	CRANK SHAFT COMP	1	
	13011	13011-LEA7-E00	RING SET ,PISTON	RING SET ,PISTON	1	
	13101	13101-LEA7-E00	PISTON	PISTON	1	
	13111	13111-LEA7-E00	PIN, PISTON	PIN, PISTON	1	
	14401	14401-PWB1-900	CHAIN CAM	CHAIN CAM	1	
	14510	14510-LEA7-E00	TENSIONER,CAM CHAIN	TENSIONER,CAM CHAIN	1	
	14520	14520-KED9-900	LIFTER ASSY TENSIONER	LIFTER ASSY TENSIONER	1	
	14523	14523-GFY6-901	GASKET TENSIONER LIFTER @ A	GASKET TENSIONER LIFTER @ A	1	
	14531	14531-KHE7-900	PIVOT CAM CHAIN TENSIONER	PIVOT CAM CHAIN TENSIONER	1	
	14610	14610-LEA7-E00	GUIDE COMP.,CAM CHAIN	GUIDE COMP.,CAM CHAIN	1	
	90001	90001-GBHB-661	BOLT FLANGE SH 6*22	BOLT FLANGE SHF 6*22	2	
	90005	90005-KEC8-900	BOLT SPECIAL 6*6	BOLT SPECIAL 6*6	1	
	90402	90402-LEA7-E00	THRUST WASHER 36X60X3	THRUST WASHER 36X60X3	1	
	91306	91306-1E05-691	O-RING 1.5*9.5	O-RING 1.5*9.5	1	
	94301	94301-12200	DOWEL PIN 12*20	DOWEL PIN 12*20	2	
	94401	94401-25140	WOODRUFF KEY 25*14	WOODRUFF KEY 25*14	1	
	94601	94601-17000	CLIP PISTON PIN 17MM	CLIP PISTON PIN 17MM	2	
	96001	96001-06025-06	BOLT FLANGE 6*25	BOLT FLANGE 6*25	2	

E04

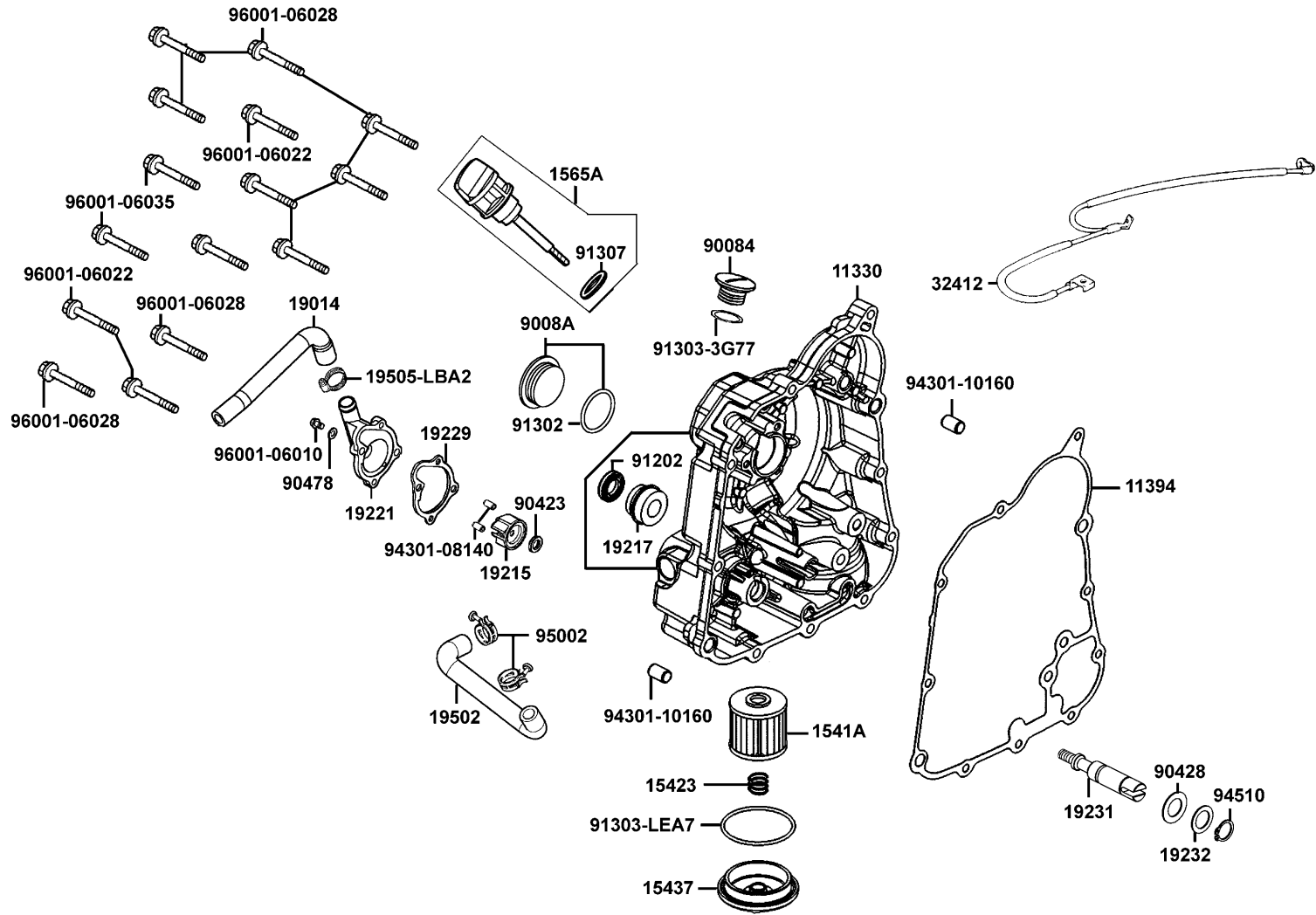
Right Crankcase Cover Water Pump



Sales mark	Ref no	Part no	Description	Reg description	Regd no	E04
**	11330	11330-LEA7-E00	COVER COMP.,RIGHT CRANK CASE	COVER COMP.,RIGHT CRANK CASE	1	
	11394	11394-LEA7-E00	GASKET,R. COVER	GASKET,R. COVER	1	
	1541A	1541A-LEA7-E00	ELEMENT ASSY., OIL FILTER	ELEMENT ASSY., OIL FILTER	1	
	15423	15423-KKC3-900	SPRING CAP OIL	SPRING CAP OIL	1	
	15437	15437-LEA7-E00	CAP, OIL FILTER	CAP, OIL FILTER	1	
	1565A	1565A-GFY6-900	GAUGE OIL LEVEL ASSY	GAUGE OIL LEVEL ASSY	1	
	19014	19014-LEA7-E00	HOSE,WATER OUTLET	HOSE,WATER OUTLET	1	
	19215	19215-LEA7-E00	IMPELLER, WATER PUMP	IMPELLER, WATER PUMP	1	
	19217	19217-6G57-024	SEAL MECHANICAL	SEAL MECHANICAL	1	
**	19221	19221-LEA7-E00	COVER, WATER PUMP	COVER, WATER PUMP	1	
	19229	19229-LEA7-E00	GASKET, WATER PUMP	GASKET, WATER PUMP	1	
	19231	19231-LEA7-E00	SHAFT, WATER PUMP	SHAFT, WATER PUMP	1	
	19232	19232-LBA2-E00	WASHER 21*13.8*1.5	WASHER 21*13.8*1.5	1	
	19502	19502-LEA7-E00	HOSE, B WATER	HOSE, B WATER	1	
	19505	19505-LBA2-E00	CLAMP WATER HOSE	CLAMP WATER HOSE	1	
	32412	32412-LEA7-E00	CABLE,EARTH	CABLE,EARTH	1	
	90423	90423-KKJ9-001	WASHER 7.2*13*1.2	WASHER 7.2*13*1.2	1	
	90428	90428-9H58-001	WASHER THRUST 14MM	WASHER THRUST 14MM	1	
	90478	90478-7L00-001	WASHER 6MM	WASHER A 6MM	1	
	91202	91202-KGB4-C00	OIL SEAL 13.7*24*5	OIL SEAL 13.7*24*5	1	

E04

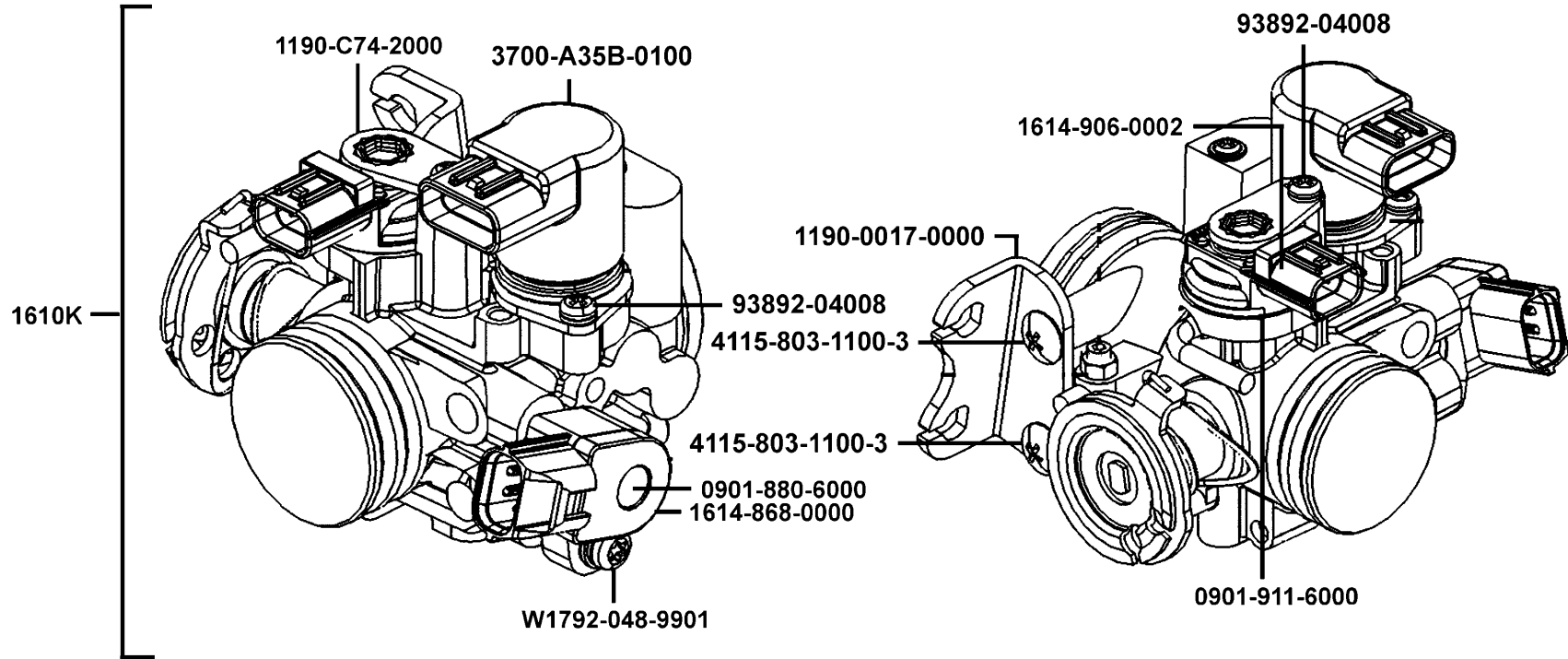
Right Crankcase Cover Water Pump



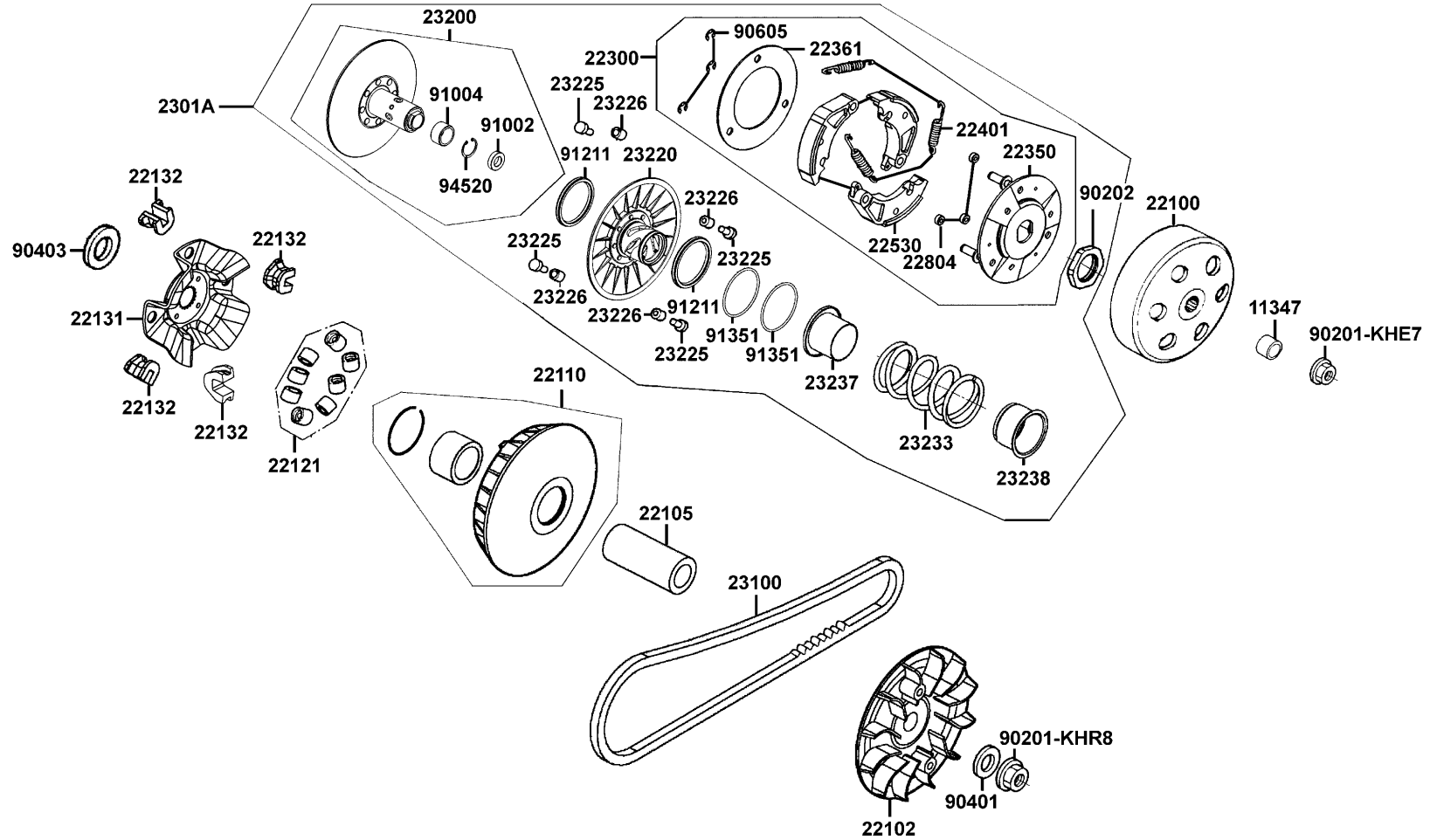
Sales mark	Ref no	Part no	Description	Reg description	Regd no	E04
	91302	91302-5G67-004	O-RING 27.4*2.4	O-RING 27.4*2.4	1	
	91303-3G77	91303-3G77-001	O-RING 13.8*2.5	O-RING 13.8*2.5	1	
	91303-LEA7	91303-LEA7-E00	O-RING 52.5x2.5	O-RING 52.5x2.5	1	
	91307	91307-0E35-001	O RING 18*3	O-RING 18*3	1	
	94301-08140	94301-08140	DOWEL PIN 8*14	DOWEL PIN 8*14	2	
	94301-10160	94301-10160	DOWEL PIN 10*16	DOWEL PIN 10*16	2	
	94510	94510-14000	CIR CLIP EXTERNAL 14	CIR CLIP EXTERNAL 14	1	
	95002	95002-KHE7-900	CLIP WATER HOSE	CLIP WATER HOSE	2	
	96001-06010	96001-06010-00	BOLT FLANGE SH 6X10	BOLT FLANGE SH 6*10	1	
	96001-06022	96001-06022-08	BOLT FLANGE SH 6*22	BOLT FLANGE SH 6*22	3	
	96001-06028	96001-06028-08	BOLT FLANGE SH 6*28	BOLT FLANGE SH 6*28	10	
	96001-06035	96001-06035-08	BOLT FLANGE 6*35	BOLT FLANGE SH 6*35	2	

E05

Throttle Body Assy



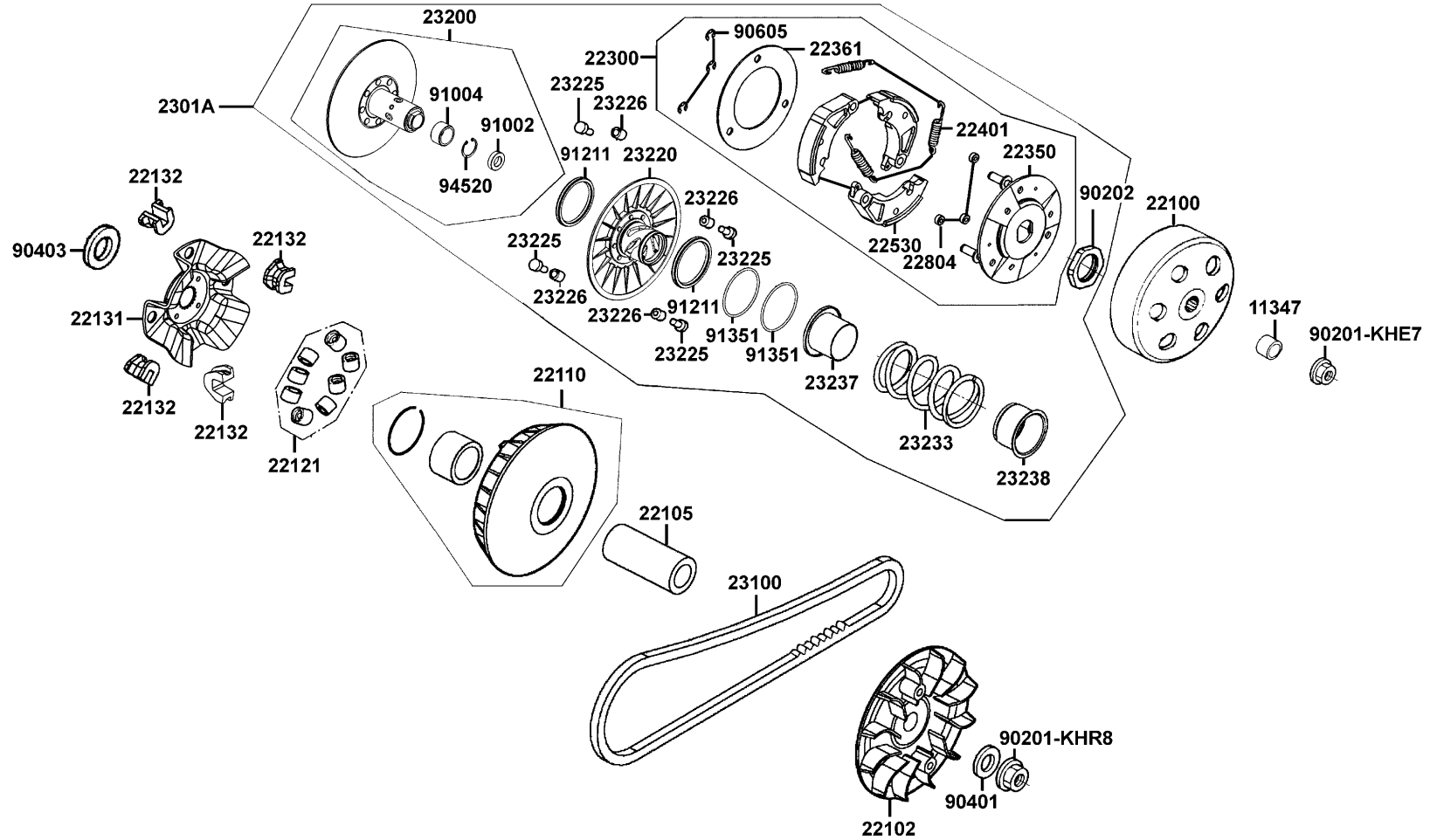
Sales mark	Ref no	Part no	Description	Reg description	Regd no	E05
	0901-880-6000	0901-880-6000	O-RING/TPS	O-RING/TPS	1	
	0901-911-6000	0901-911-6000	O-RING	O-RING	1	
	1190-0017-0000	1190-0017-0000	BRACKET/THROTTLE CABLE	BRACKET/THROTTLE CABLE	1	
	1190-C74-2000	1190-C74-2000	STAY PLATE	STAY PLATE	1	
	1610K	1610K-LEA7-E00	THROTTLE BODY ASSY	THROTTLE BODY ASSY	1	
	1614-868-0000	1614-868-0000	THROTTLE POSITION SENSER	THROTTLE POSITION SENSER	1	
	1614-906-0002	1614-906-0002	MAP SENSOR	MAP SENSOR	1	
	3700-A35B-0100	3700-A35B-0100	ISC VALVE	ISC VALVE	1	
	4115-803-1100-3	4115-803-1100-3	SCREW PAN	SCREW PAN	2	
	93892-04008	93892-04008-18	SCREW WASHER	SCREW WASHER	2	
	W1792-048-9901	W1792-048-9901	SCREW TORX M5*0.8/TPS	SCREW TORX M5 8/TPS	1	



Sales mark	Ref no	Part no	Description	Reg description	Regd no	E06
11347		11347-LEA7-E00	BOSS, DRIVE SHAFT	BOSS, DRIVE SHAFT	1	
22100		22100-LEA7-E00	OUTER COMP, CLUTCH	OUTER COMP, CLUTCH	1	
22102		22102-LEA7-E00	FACE DRIVE	FACE DRIVE	1	
22105		22105-LEA7-E00	BOSS DRIVE FACE	BOSS DRIVE FACE	1	
22110		22110-LEA7-E00	FACE COMP.,MOVABLE DRIVE	FACE COMP.,MOVABLE DRIVE	1	
22121		22121-LEA7-E00	ROLLER COMP.,WEIGHT	ROLLER COMP.,WEIGHT	8	
22131		22131-LEA7-E00	PLATE,RAMP	PLATE,RAMP	1	
22132		22132-PWB1-900	PIECE SLIDE	PIECE SLIDE	4	
22300		22300-LEA7-E00	PLATE ASSY ,DRIVE	PLATE ASSY ,DRIVE	1	
22350		22350-KHE7-900	PLATE COMP DRIVE	PLATE COMP DRIVE	0	
22361		22361-LEA7-E00	PLAT CLUCTH,SIDE	PLAT CLUCTH,SIDE	1	
22401		22401-KHE7-900	SPRING CLUTCH	SPRING CLUTCH	3	
22530		22530-LEA7-E00	WEIGHT ,CLUTCH	WEIGHT ,CLUTCH	3	
22804		22804-GBB2-001	RUBBER CLUTCH DUMPER	RUBBER CLUTCH DAMPER	3	
2301A		2301A-LEA7-E00	PULLEY SUB.ASSY	PULLEY SUB.ASSY	1	
23100		23100-LEA7-E00	BELT, DRIVE	BELT, DRIVE	1	
23200		23200-LEA7-E00	FACE ASSY,DRIVE	FACE ASSY,DRIVE	1	
23220		23220-LEA7-E00	FACE COMP.,MOVABLE DRIVE	FACE COMP.,MOVABLE DRIVE	1	
23225		23225-KHE7-900	PIN ROLLER GUIDE	PIN ROLLER GUIDE	4	
23226		23226-GHC8-004	ROLLER GUIDE	ROLLER GUIDE	4	

E06

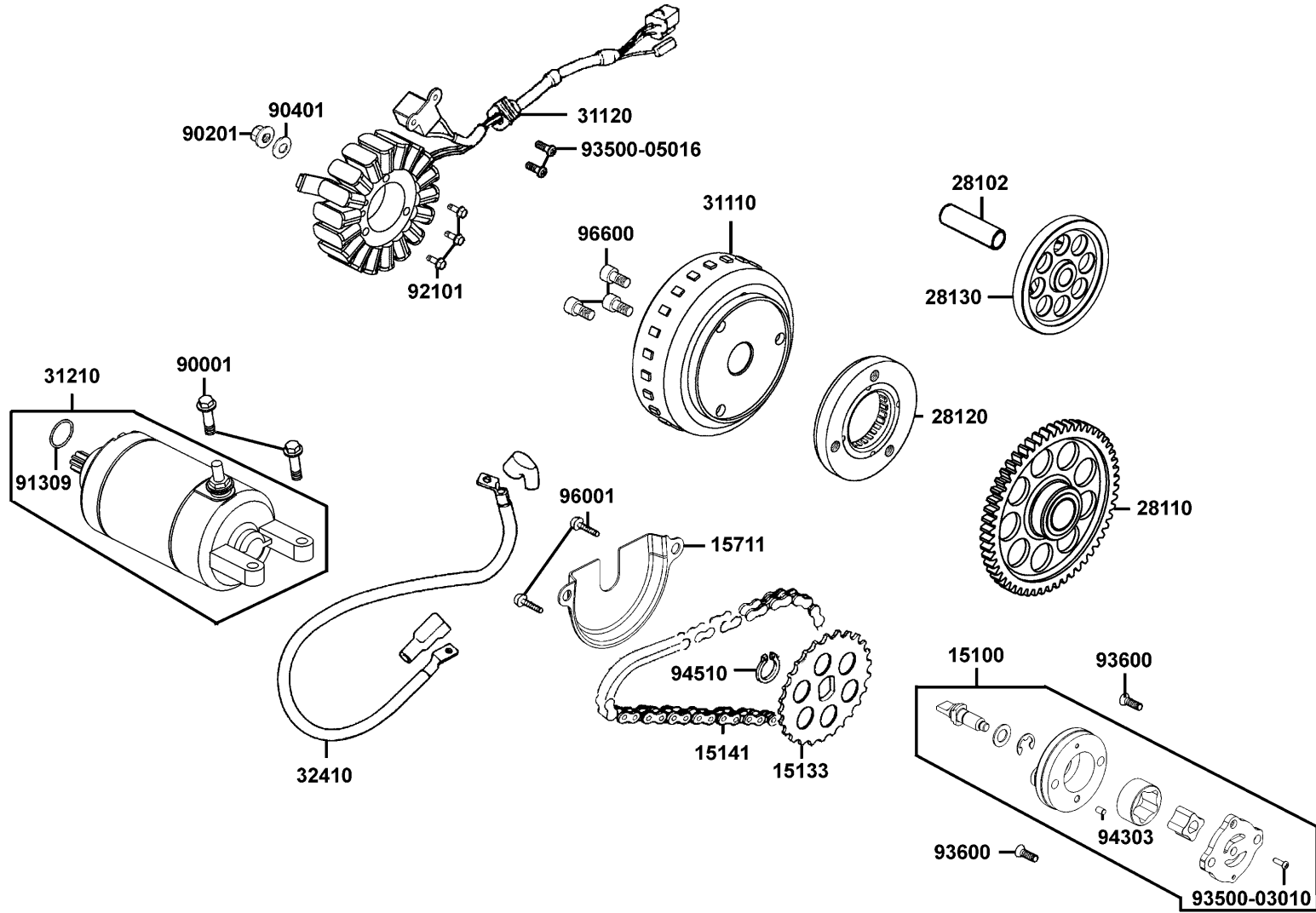
Drive Pulley



Sales mark	Ref no	Part no	Description	Reg description	Regd no	E06
	23233	23233-LEA7-E00	SPG,DRIVEN FACE	SPG,DRIVEN FACE	1	
	23237	23237-KHE7-900	COLLAR SEAL	COLLAR SEAL	1	
	23238	23238-KHE7-900	COLLAR SPG	COLLAR SPG	1	
	90201-KHE7	90201-KHE7-900	NUT C FLANGE M12	NUT C FLANGE M12	1	
	90201-KHR8	90201-KHR8-75A	NUT FLANGE 14MM	NUT FLANGE 14MM	1	
	90202	90202-LEA7-E00	NUT,SPECIAL,28mm	NUT,SPECIAL,28mm	1	
	90401	90401-LEA7-E00	WASHER THRUST 14*28*2	WASHER THRUST 14*28*2	1	
	90403	90403-LEA7-E00	THRUST WASHER 20.2X35X2.35	THRUST WASHER 20.2X35X2.35	1	
	90605	90605-1F66-721	CIR CLIP 7MM	CIR CLIP 7MM	3	
	91002	91002-GGA7-70A	BRG BALL RADIAL 6902U	BRG BALL RADIAL 6902U	1	
	91004	91004-LEA7-E00	BRG.NEEDLE 25X32X14	BRG.NEEDLE 25X32X14	1	
	91211	91211-KHE7-900	SEAL DRIVEN FACE 40*47*4	SEAL DRIVEN FACE	2	
	91351	91351-KHE7-900	O-RING PINION CAP	O-RING PINION CAP	2	
	94520	94520-28000	CIR CLIP IN 28	CIR CLIP IN 28MM	1	

E07

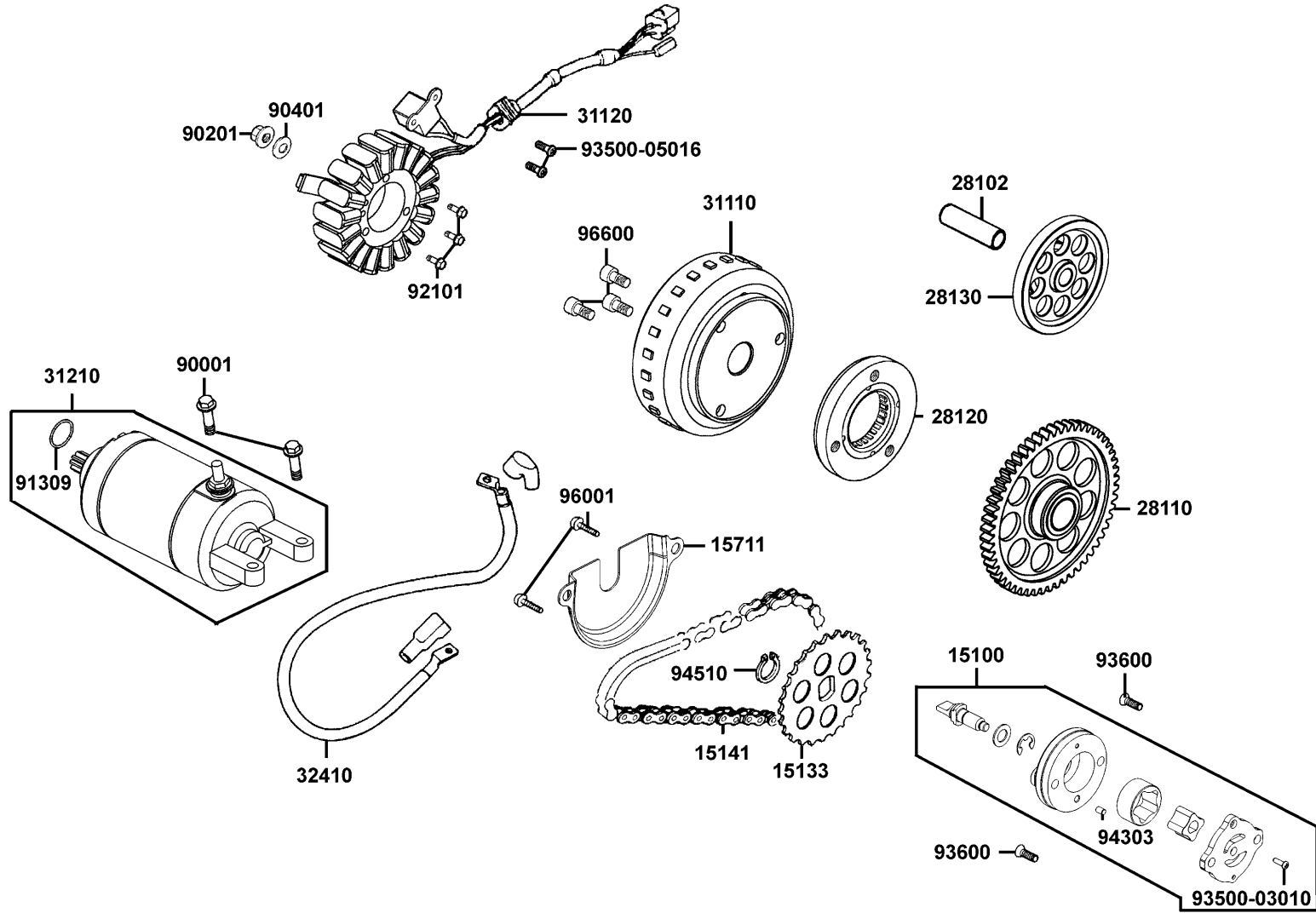
Starting Motor Generator



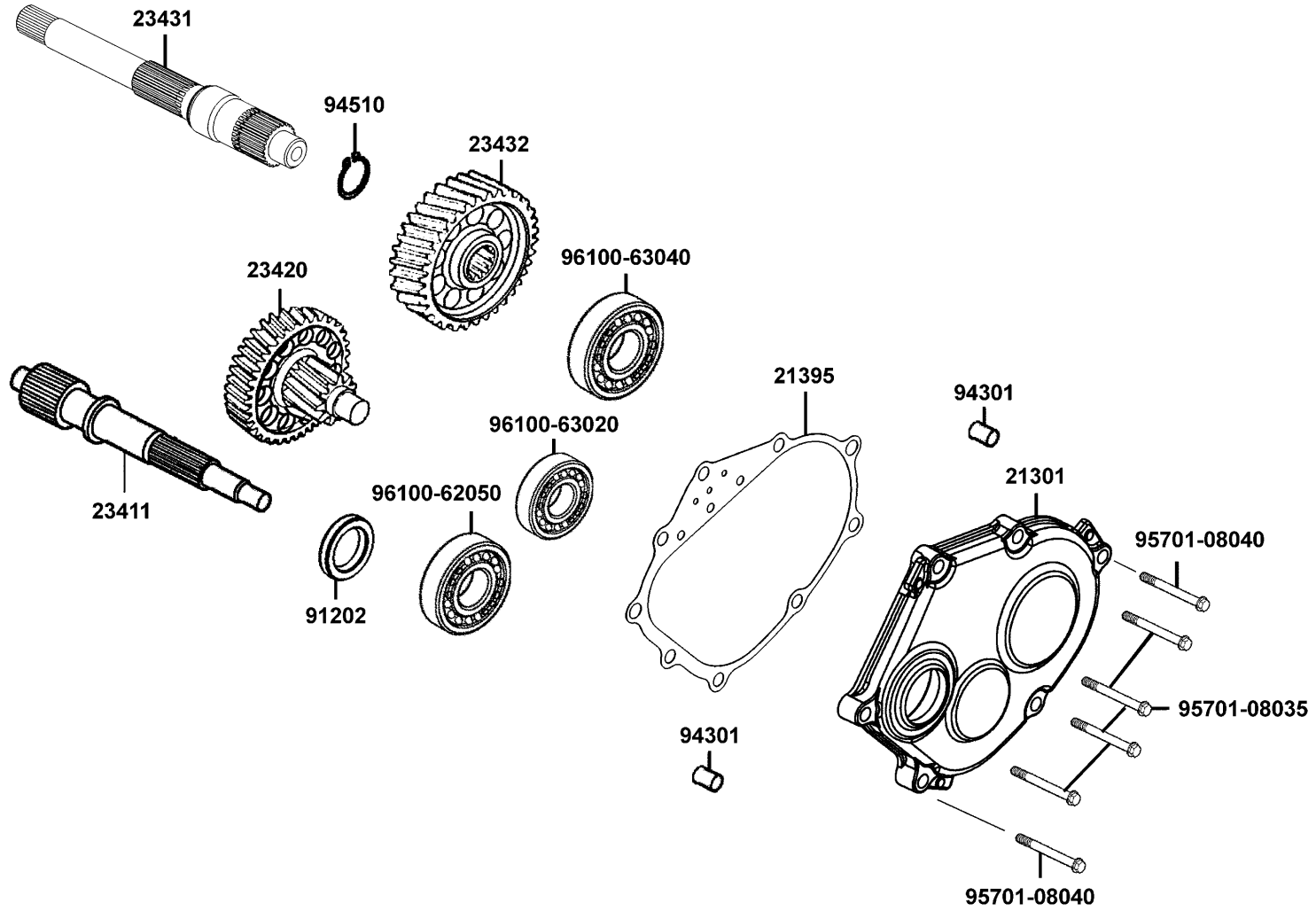
Sales mark	Ref no	Part no	Description	Reg description	Regd no	E07
	15100	15100-LEA7-E00	PUMP ASSY., OIL	PUMP ASSY., OIL	1	
	15133	15133-LEA7-E00	SPROCKET, OIL PUMP DRIVEN	SPROCKET, OIL PUMP DRIVEN	1	
	15141	15141-LEA7-E00	CHAIN,OIL PUMP	CHAIN,OIL PUMP	1	
	15711	15711-LEA7-E00	SEPARATOR OIL	SEPARATOR OIL	1	
	28102	28102-LEA7-E00	SHAFT STARTER REDUCTION	SHAFT STARTER REDUCTION	1	
	28110	28110-LEA7-E00	GEAR COMP STARTING CLUTCH	GEAR COMP STARTING CLUTCH	1	
	28120	28120-LDB2-E00	ONE WAY CLUTCH STARTER ASSY	ONE WAY CLUTCH STARTER ASSY	1	
	28130	28130-LEA7-E00	GEAR STARTER REDUCTION	GEAR STARTER REDUCTION	1	
	31110	31110-LEA7-E0B	FLYWHEEL COMP.	FLYWHEEL COMP.	1	
	31120	31120-LEA7-E0B	STATOR COMP.	STATOR COMP.	1	
	31210	31210-LEA7-E00	MOTOR UNIT.,STARTER	MOTOR UNIT.,STARTER	0	
	32410	32410-LEA7-E00	CABLE ,START MOTOR	CABLE ,START MOTOR	0	
	90001	90001-GBHB-661	BOLT FLANGE SH 6*22	BOLT FLANGE SHF 6*22	2	
	90201	90201-KHR8-75A	NUT FLANGE 14MM	NUT FLANGE 14MM	1	
	90401	90401-KKJ9-001	WASHER THRUST 14*28*2	WASHER THRUST 14*28*2	1	
	91309	91309-4E25-004	O-RING 24.4*3.1	O-RING 24.4*3.1	0	
	92101	92101-05032-0H	BOLT HEX 5*32	BOLT HEX 5*32	3	
	93500-03010	93500-03010-1A	SCREW PAN 3*10	SCREW PAN 3*10	1	
	93500-05016	93500-05016-0H	SCREW PAN 5*16	SCREW PAN 5*16	2	
	93600	93600-06032-0H	SCREW, FLAT, 6x32	SCREW, FLAT, 6x32	2	

E07

Starting Motor Generator



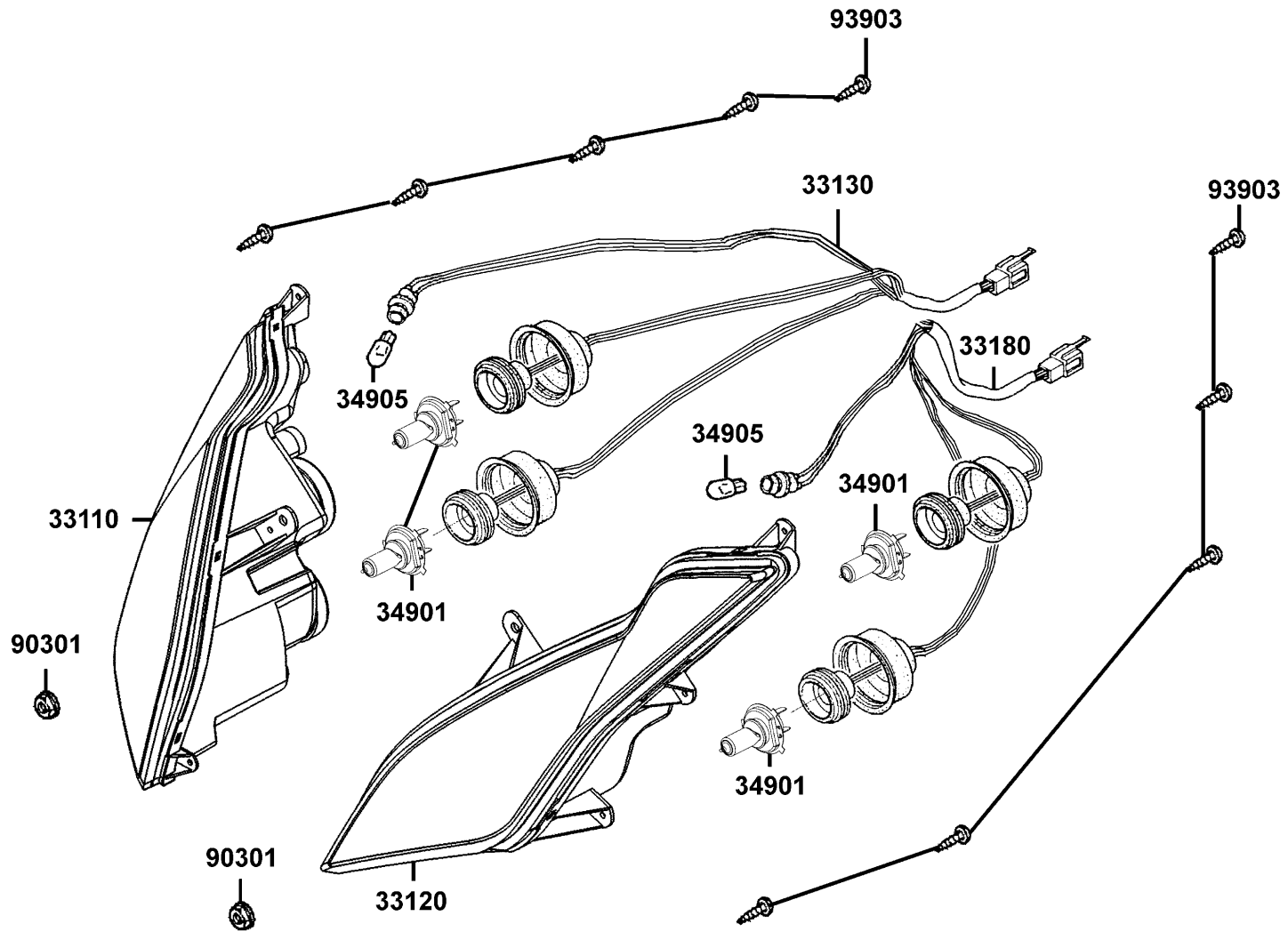
Sales mark	Ref no	Part no	Description	Reg description	Regd no	E07
	94303	94303-04065	PIN DOWEL 4*6.5	PIN DOWEL 4*6.5	0	
	94510	94510-10000	CIR CLIP EX 10MM	CIR CLIP EX 10MM	1	
	96001	96001-06012-08	BOLT FLANGE 6*12	BOLT FLANGE SH 6*12	2	
	96600	96600-08015-10	SOCKET BOLT 8*15	SOCKET BOLT 8*15	3	



Sales mark	Ref no	Part no	Description	Reg description	Regd no	E08
	21301	21301-LEA7-E00	COVER,MISSION	COVER,MISSION	1	
	21395	21395-LEA7-E00	GASKET,MISSION COVER	GASKET,MISSION COVER	1	
	23411	23411-LEA7-E00	SHAFT,DRIVE	SHAFT,DRIVE	1	
	23420	23420-LEA7-E00	SHAFT COMP,COUNTER	SHAFT COMP,COUNTER	1	
	23431	23431-LEA7-E00	SHAFT,FINAL	SHAFT,FINAL	1	
	23432	23432-LEA7-E00	GEAR,FINAL	GEAR,FINAL	1	
	91202	91202-LEA7-E00	OIL SEAL , 25x35x6	OIL SEAL , 25x35x6	1	
	94301	94301-10160	DOWEL PIN 10*16	DOWEL PIN 10*16	2	
	94510	94510-25000	CIR CLIP EXTERNAL 25	CIR CLIP EXTERNAL 25MM	1	
	95701-08035	95701-08035-08	BOLT FLANGE 8*35	BOLT FLANGE 8X35	4	
	95701-08040	95701-08040-08	BOLT FLANGE 8*40	BOLT FLANGE 8*40	2	
	96100-62050	96100-62050-00	BEARING BALL RADIAL 6205	BEARING BALL RADIAL 6205	1	
	96100-63020	96100-63020-00	BRG BALL RADIAL 6302	BRG BALL RADIAL 6302	1	
	96100-63040	96100-63040-00	BRG BALL RADIAL 6304	BRG BALL RADIAL 6304	1	

F01

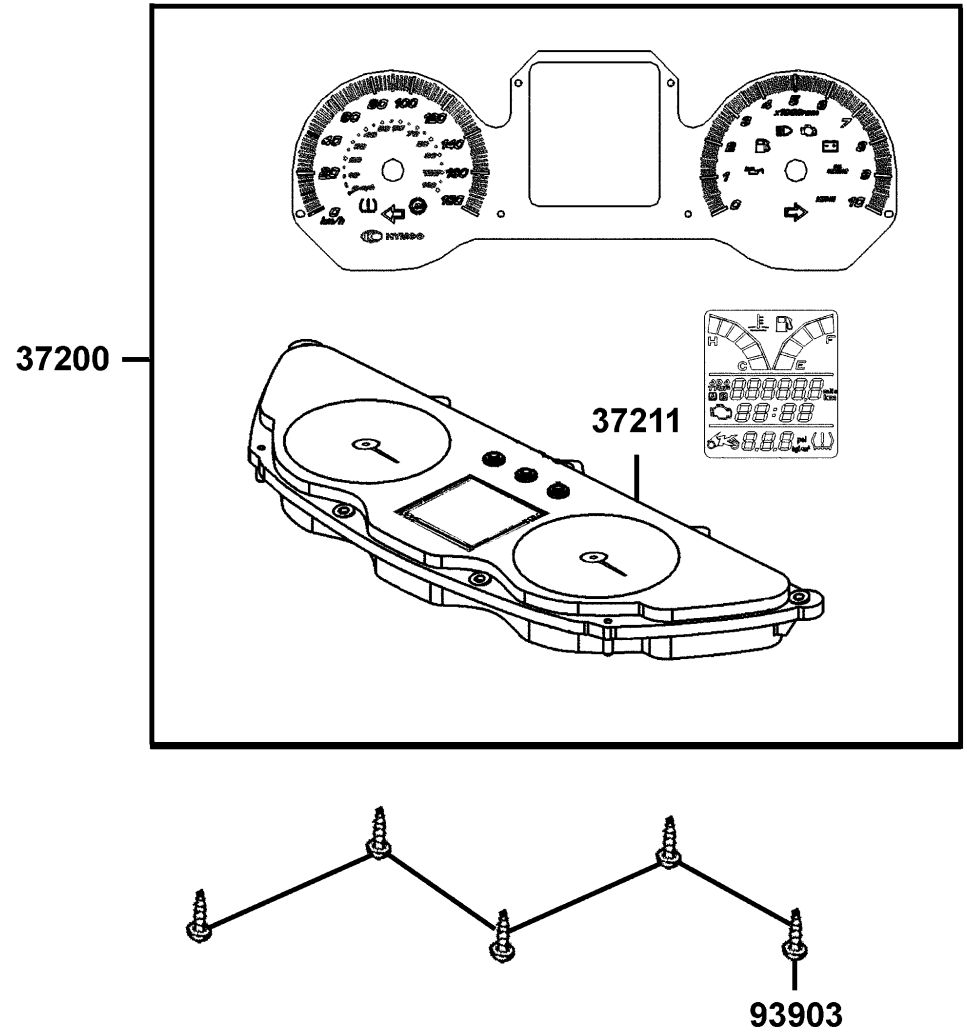
Head Light



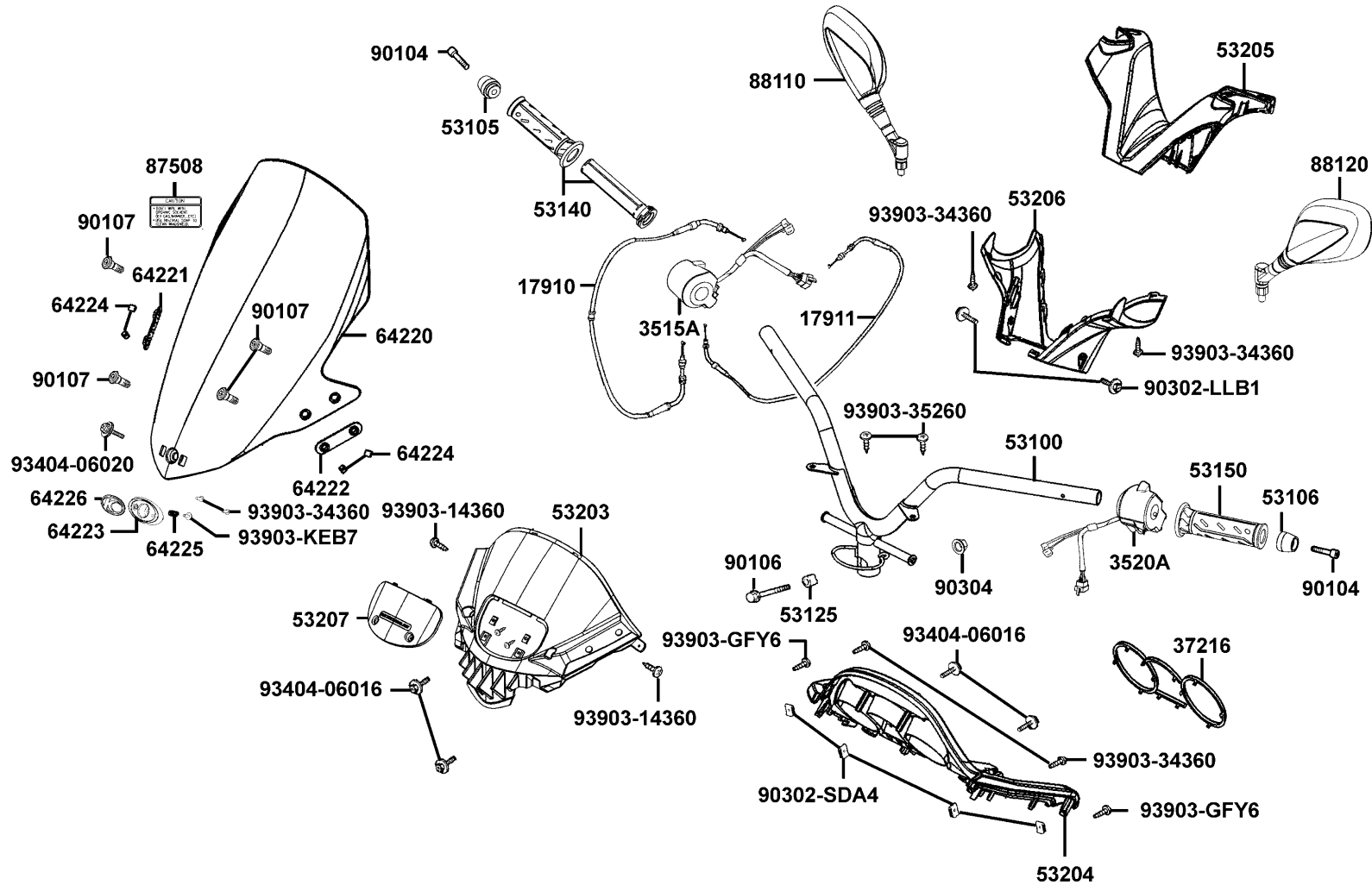
Sales mark	Ref no	Part no	Description	Reg description	Regd no	F01
	33110	33110-LEA7-E00	UNIT HEAD LIGHTR R	UNIT HEAD LIGHTR R	1	
	33120	33120-LEA7-E00	UNIT HEAD LIGHTR R	UNIT HEAD LIGHTR R	1	
	33130	33130-LEA7-E00	SOCKET COMP	SOCKET COMP	1	
	33180	33180-LEA7-E00	SOCKET COMP	SOCKET COMP	1	
	34901	34901-KGB5-M30	BULB HEAD LIGHT	BULB HEAD LIGHT	2	
	34905	34905-LEA7-E00	BULB WINKER	BULB WINKER	2	
	90301	90301-6D34-671	NUT FLANGE 6MM	NUT FLANGE 6MM	2	
	93903	93903-35320	SCREW TAPPING 5*16	SCREW TAPPING 5*16	10	

F02

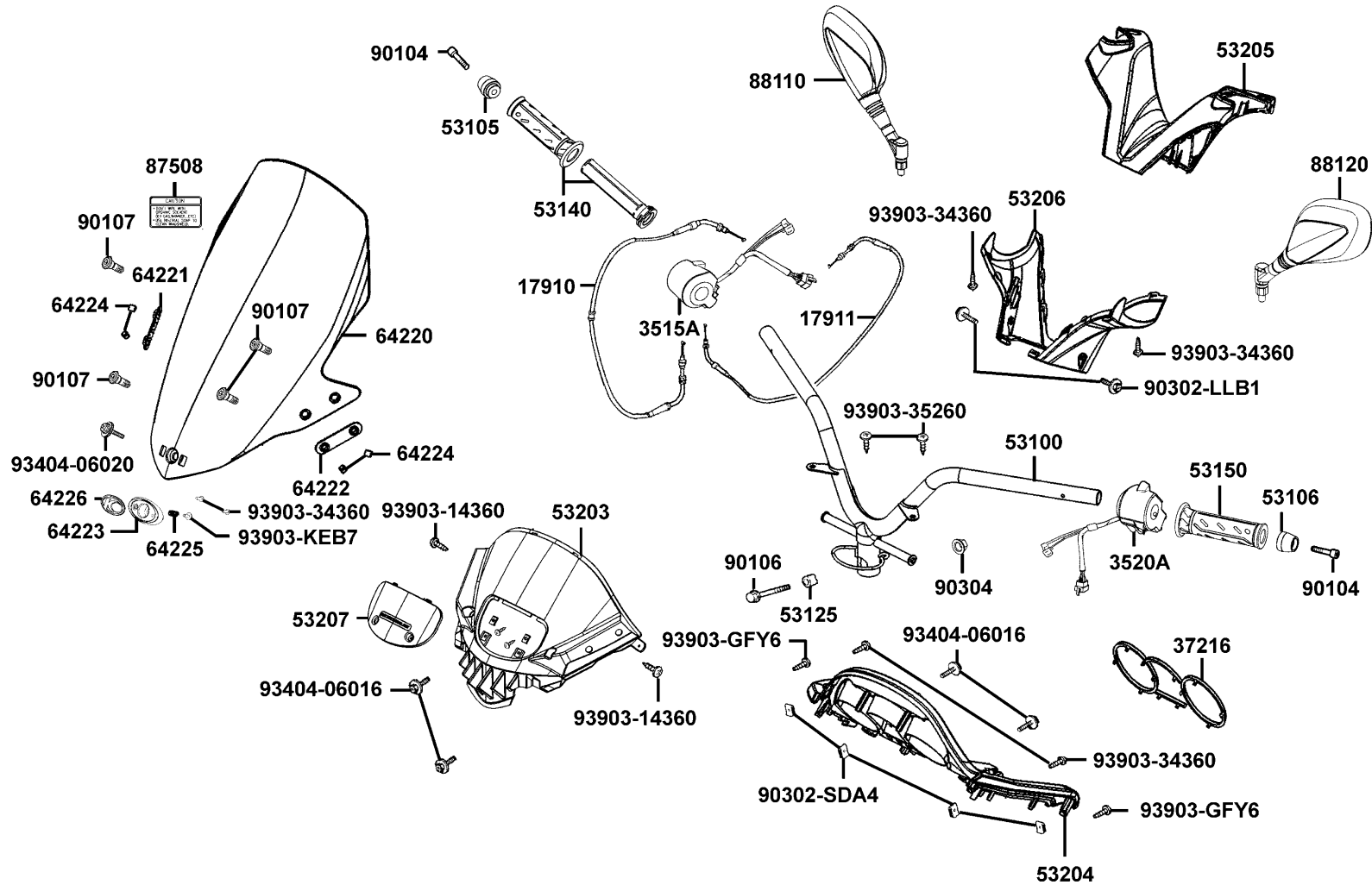
Speed meter



Sales mark	Ref no	Part no	Description	Reg description	Regd no	F02
	37200	37200-LEA7-E00	METER ASSY.,SPEED	METER ASSY.,SPEED	1	
	37211	37211-KKE5-E00	LENS ASSY	LENS ASSY	1	
	93903	93903-35320	SCREW TAPPING 5*16	SCREW TAPPING 5*16	5	

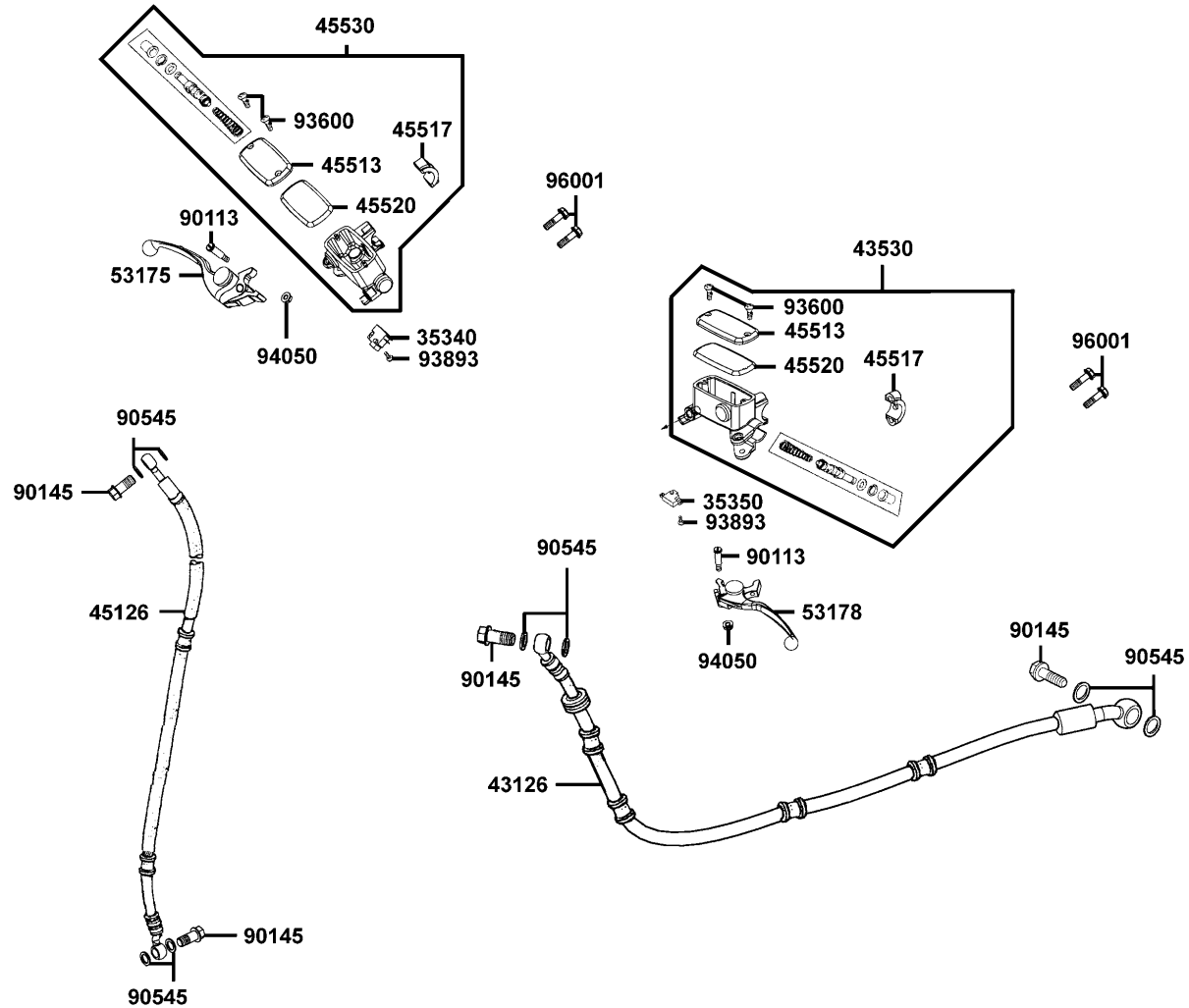


Sales mark	Ref no	Part no	Description	Reg description	Regd no	F03
	17910	17910-LEA7-E00	CABLE A,THROT	CABLE A,THROT	1	
	17911	17911-LEA7-E00	CABLE B,THROT	CABLE B,THROT	1	
	3515A	3515A-LEA7-E00	SW ASSY.,RH. HANDLE COMP.	SW ASSY.,RH. HANDLE COMP.	1	
	3520A	3520A-KEBE-900	SW ASSY L HNDL COMP	SW ASSY L HNDL COMP	1	
**	37216	37216-LEA7-E00	Cosmetic ,METER COVER	Cosmetic ,METER COVER	1	
	53100	53100-LEA7-E00	HANDLE COMP.,STRG.	HANDLE COMP.,STRG.	1	
	53106	53106-LEA7-E00	END L HANDLE	END L HANDLE	1	
	53125	53125-LEA7-E00	COLLAR HANDLE SET	COLLAR HANDLE SET	1	
**	53140	53140-LEA7-E00	GRIP COMP THROT	GRIP COMP THROT	1	
**	53150	53150-LEA6-900	GRIP COMP.,L HANDLE	GRIP COMP.,L HANDLE	1	
**	53203	53203-LEA7-E00	COVER, METER FR	COVER, METER FR	1	
# **	53204	53204-LEA7-E00	COVER, METER RR	COVER, METER RR	1	
**	53205	53205-LEA7-E00	COVER, HANDLE UP	COVER, HANDLE UP	1	
**	53206	53206-LEA7-E00	COVER, HANDLE LOW	COVER, HANDLE LOW	1	
	53207	53207-LEA7-E00	LID RADIATOR COOLANT	LID RADIATOR COOLANT	1	
**	64220	64220-LEA7-E00	WIND SCREEN	WIND SCREEN	1	
	64221	64221-LEA7-E00	RUBBER,R WIND SCREEN	RUBBER,R WIND SCREEN	1	
	64222	64222-LEA7-E00	RUBBER,L WIND SCREEN	RUBBER,L WIND SCREEN	1	
**	64223	64223-LEA7-E00	PLUG,WIND SCREEN	PLUG,WIND SCREEN	1	
	64224	64224-LEA7-E00	COLLAR,WIND SCREEN	COLLAR,WIND SCREEN	4	

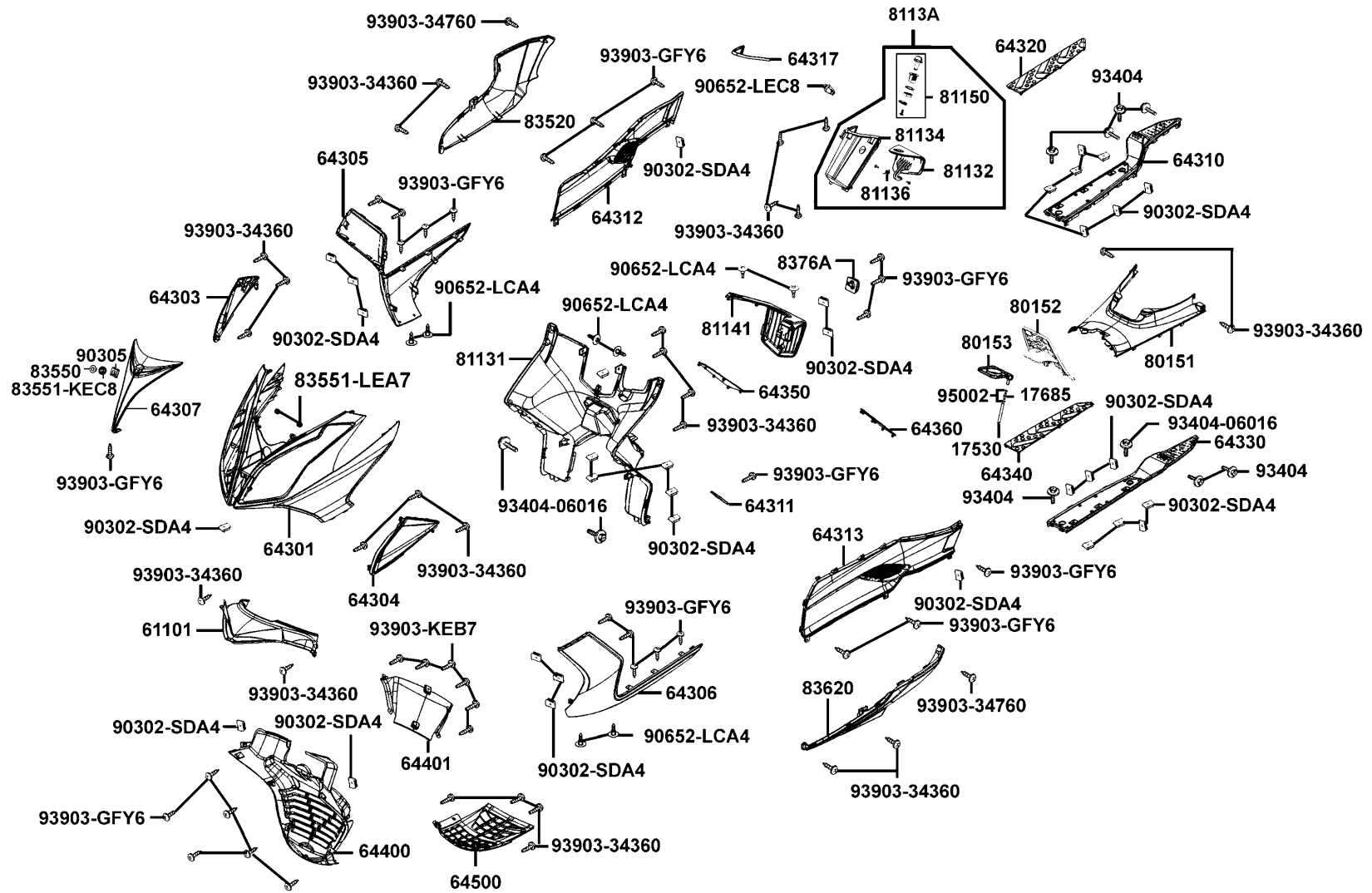


Sales mark	Ref no	Part no	Description	Reg description	Regd no	F03
	64225	64225-LEA7-E00	SPRING, COSMETIC K-LOGO	SPRING, COSMETIC K-LOGO	1	
	64226	64226-LEA7-E00	COSMETIC,K-LOGO	COSMETIC,K-LOGO	1	
**	87508	87508-KKC4-E00	LABEL CLEANNESS CAUYION	LABEL CLEANNESS CAUTION	1	
**	88110	88110-LEA7-E00	MIRROR ASSY,R BACK	MIRROR ASSY,R BACK	1	
**	88120	88120-LEA7-E00	MIRROR ASSY,L BACK	MIRROR ASSY,L BACK	1	
	90104	90104-LEA7-E00	BOLT WASH.,M8*60	BOLT WASH.,M8*60	2	
	90106	90106-GEN5-901	BOLT FLANGE 10*50	BOLT FLANGE 10*50	1	
	90107	90107-LEA7-E00	BOLT,SPECIAL,8MM	BOLT,SPECIAL,8MM	4	
	90302-LLB1	90302-LLB1-E00	BOLT-WASHER 5*12	BOLT-WASHER 5*12	2	
	90302-SDA4	90302-SDA4-004	NUT SPRING 4MM	NUT SPRING 4MM	4	
	90304	90304-GHE8-004	NUT U 10MM	NUT U 10MM	1	
	93404-06016	93404-06016-06	BOLT WASHER 6*16	BOLT WASHER 6*16	4	
#	93404-06020	93404-06020-06	BOLT WASH 6*20	BOLT WASHER 6*20	1	
	93903-14360	93903-14360	SCREW TAPPING 4*12	SCREW TAPPING 4*12	2	
	93903-34360	93903-34360	SCREW TAPPING 4*12	SCREW TAPPING 4*12	6	
	93903-35260	93903-35260	SCREW TAPPING 5*12	SCREW TAPPING 5*12	2	
	93903-GFY6	93903-GFY6-900	SCREW TAPPING 4*14	SCREW TAPPING 4*14	2	
	93903-KEB7-900	93903-KEB7-900-06	SCREW WASHER 4*12 (G)	SCREW WASHER 4*12	1	

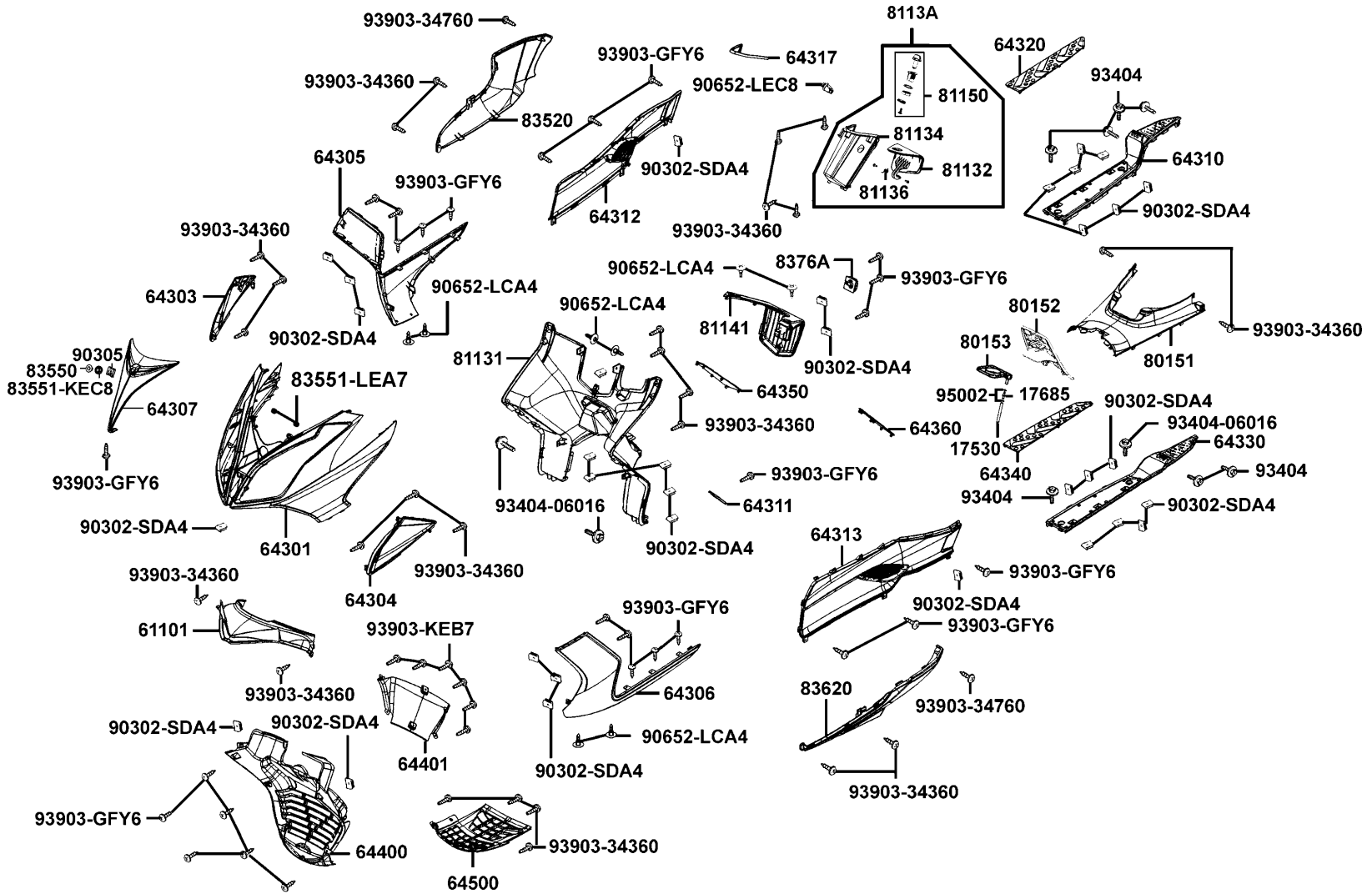
Master Cylinder



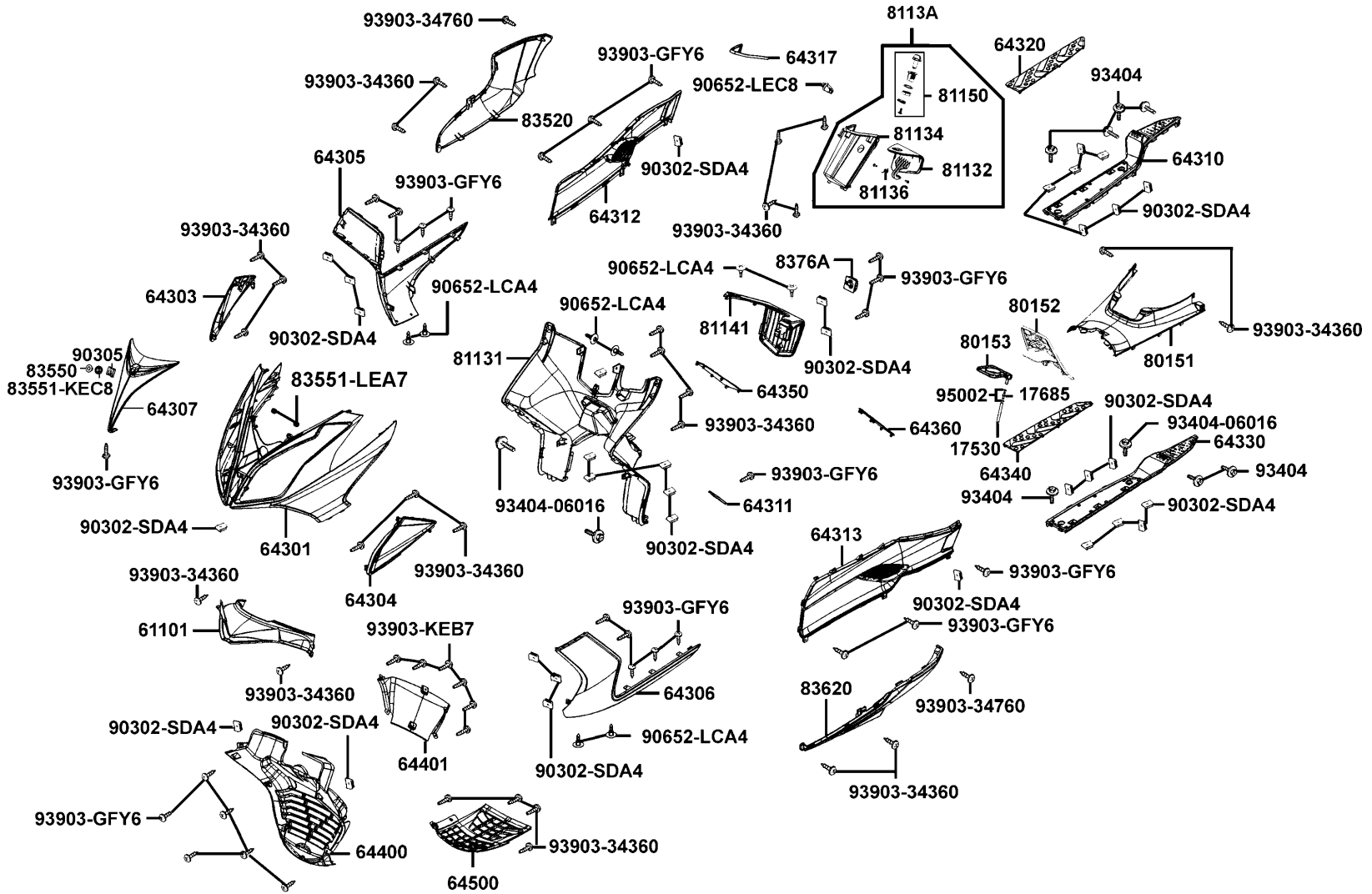
Sales mark	Ref no	Part no	Description	Reg description	Regd no	F04
	35340	35340-KNBN-901	SW ASSY FR STOP	SW ASSY FR STOP	1	
	35350	35350-KNBN-901	SW ASSY RR STOP	SW ASSY RR STOP	1	
	43126	43126-LEA7-E00	HOSE ASSY, RR BRK	HOSE ASSY, RR BRK	1	
	43530	43530-LEA7-305	CYLINDER SET MASTER	CYLINDER SET MASTER	1	
	45126	45126-LEA7-E00	HOSE ASSY, FR BRK	HOSE ASSY, FR BRK	1	
	45517	45517-LBA2-E00	HOLDER M/C	HOLDER M/C	2	
	45520	45520-KKA8-900	DIAPHRAGM	DIAPHRAGM	2	
	45530	45530-LBA2-308	CYLINDER SET FR MASTER	CYLINDER SET FR MASTER	1	
**	53175	53175-KKE5-E00	LEVER R STRG HANDLE	LEVER R STRG HANDLE	1	
**	53178	53178-KKE5-E00	LEVER L STRG HANDLE	LEVER L STRG HANDLE	1	
	90113	90113-KKA8-900	BOLT L STEERING HANDLE	BOLT L STEERING HANDLE	2	
	90145	90145-MKS9-61A	OIL BOLT 10*22	OIL BOLT 10*22	4	
	90545	90545-3L00-001	WASHER OIL BOLT	WASHER OIL BOLT	8	
	93600	93600-04012-1G	SCREW FLAT 4*12	SCREW FLAT 4*12	4	
	93893	93893-04012-18	SCREW WASHER 4*12	SCREW WASHER 4*12	2	
	94050	94050-06060	NUT FLANGE 6MM	NUT FLANGE 6MM	2	
	96001	96001-06028-06	BOLT FLANGE 6*28	BOLT FLANGE 6*28	4	



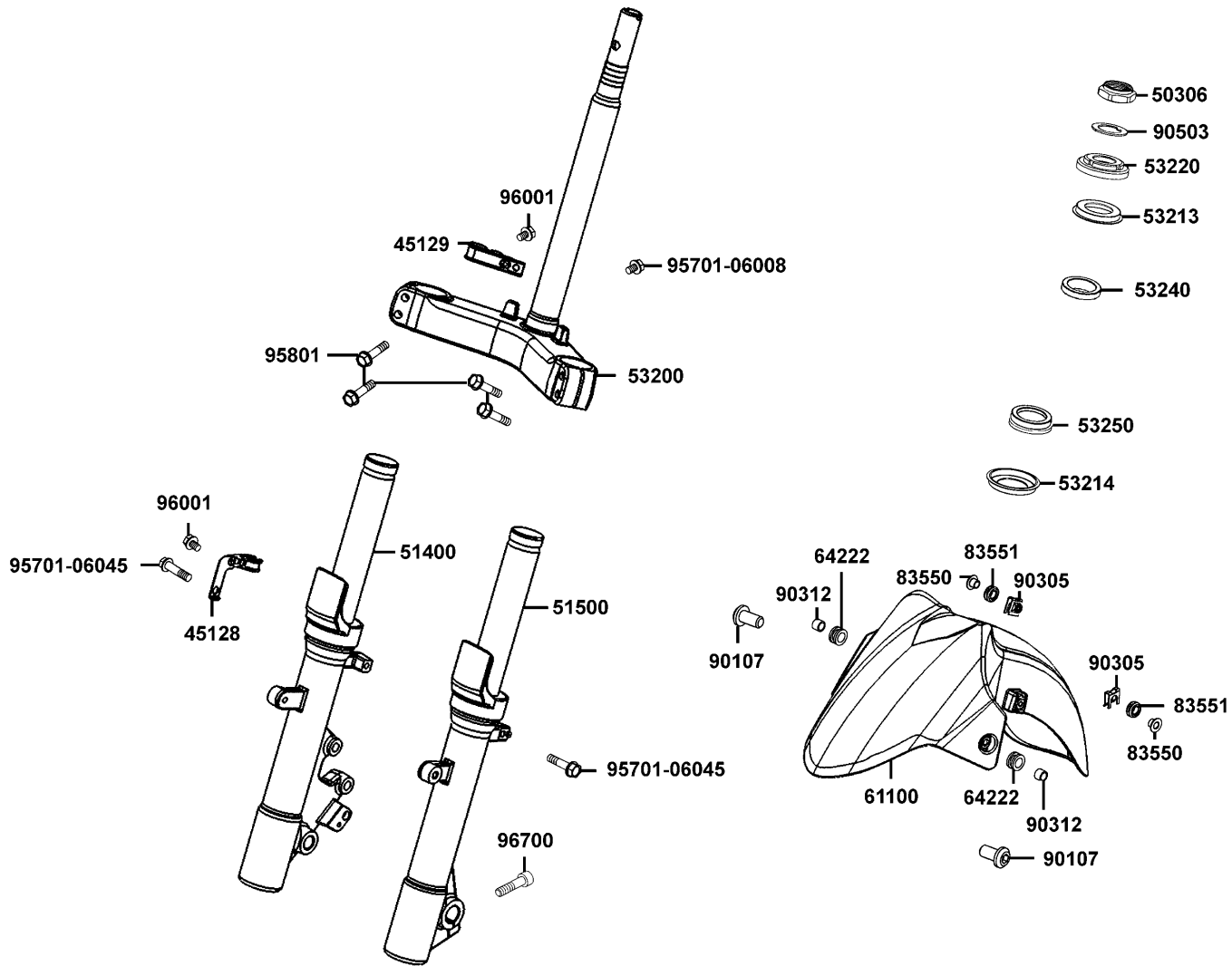
Sales mark	Ref no	Part no	Description	Reg description	Regd no	F05
	17530	17530-KGB5-900	TUBE ASSY DRAIN	TUBE ASSY DRAIN	1	
	17685	17685-KZCZ-900	JOINT TUBE	JOINT TUBE	1	
**	61101	61101-LEA7-E00	FENDER, FR. INNER	FENDER, FR. INNER	1	
**	64301	64301-LEA7-E00	COVER,FR	COVER,FR	1	
**	64303	64303-LEA7-E00	BOARD,R FR COVER	BOARD,R FR COVER	1	
**	64304	64304-LEA7-E00	BOARD,L FR COVER	BOARD,L FR COVER	1	
**	64305	64305-LEA7-E00	SKIRT,R SIDE	SKIRT,R SIDE	1	
**	64306	64306-LEA7-E00	SKIRT,L SIDE	SKIRT,L SIDE	1	
**	64307	64307-LEA7-E00	LID FR COVER	LID FR COVER	1	
**	64310	64310-LEA7-E00	FLOOR,PANEL R/L	FLOOR,PANEL R/L	1	
**	64311	64311-LEA7-E00	LID RESERVE TANK	LID RESERVE TANK	1	
**	64312	64312-LEA7-E00	BOARD,R PANEL FLOOR	BOARD,R PANEL FLOOR	1	
**	64313	64313-LEA7-E00	BOARD,L PANEL FLOOR	BOARD,L PANEL FLOOR	1	
	64317	64317-LEA7-E00	SEAL,FR INNER BOX	SEAL,FR INNER BOX	1	
**	64320	64320-LEA7-E00	MAT,R FLOOR	MAT,R FLOOR	1	
**	64330	64330-LEA7-E00	FLOOR,PANEL R/L	FLOOR,PANEL R/L	1	
**	64340	64340-LEA7-E00	MAT,L FLOOR	MAT,L FLOOR	1	
**	64350	64350-LEA7-E00	MAT ,R LEG SHIELD	MAT ,R LEG SHIELD	1	
**	64360	64360-LEA7-E00	MAT ,L LEG SHIELD	MAT ,L LEG SHIELD	1	
**	64400	64400-LEA7-E00	COWL,UNDER	COWL,UNDER	1	



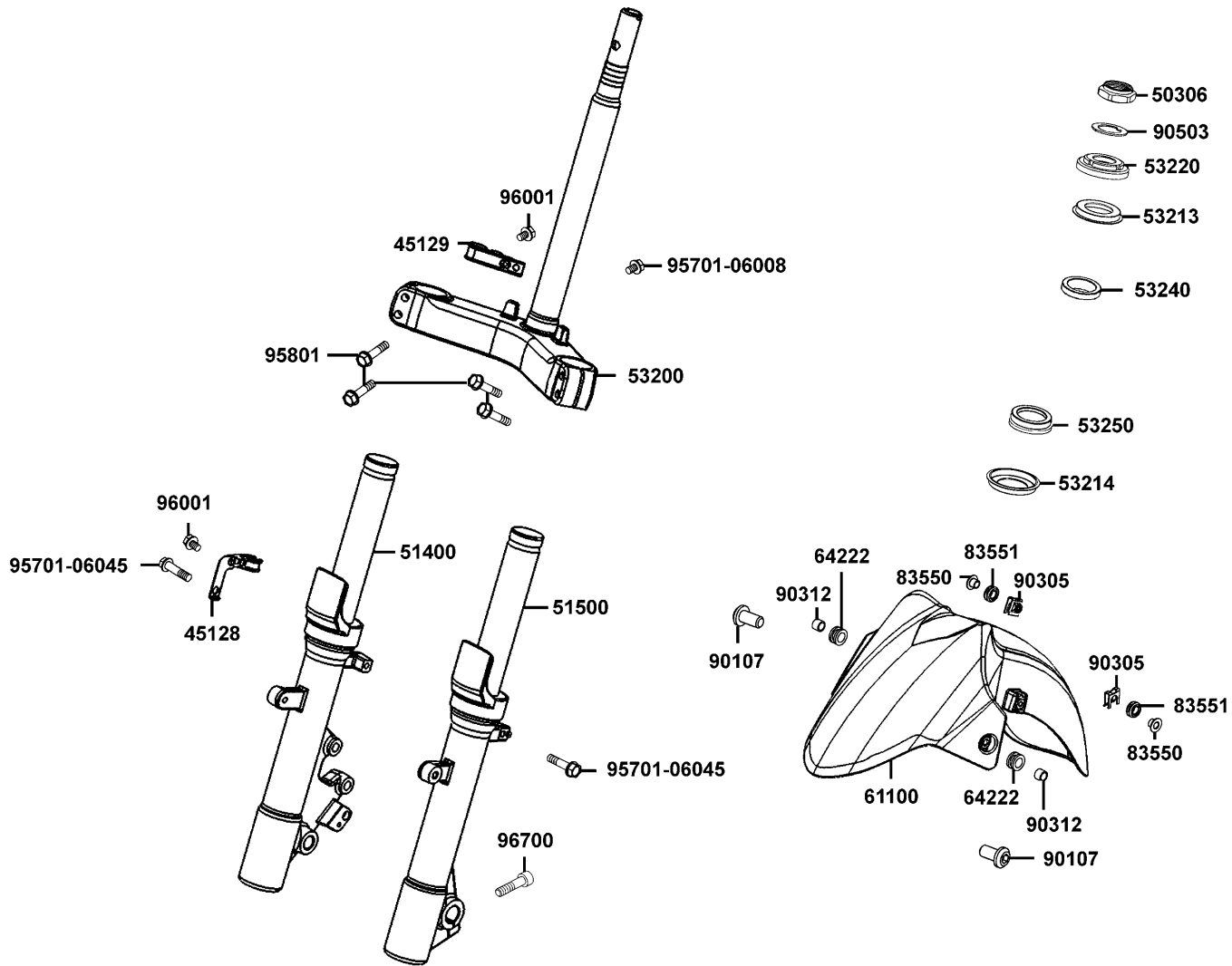
Sales mark	Ref no	Part no	Description	Reg description	Regd no	F05
**	64401	64401-LEA7-E00	MESH ,UNDER COWL	MESH ,UNDER COWL	1	
**	64500	64500-LEA7-E00	UNDER COWL LOW	UNDER COWL LOW	1	
**	80151	80151-LEA7-E00	COVER,CENTER	COVER,CENTER	1	
**	80152	80152-LEA7-E00	COVER, PLUG MAINT.	COVER, PLUG MAINT.	1	
	80153	80153-LEA7-E00	RUBBER,FUEL CAP.	RUBBER,FUEL CAP.	1	
**	81131	81131-LEA7-E00	LEG SHIELD	LEG SHIELD	1	
**	81132	81132-LEA7-E00	LID,L/H FR INNER BOX	LID,L/H FR INNER BOX	1	
**	81134	81134-LEA7-E00	BOX,L/H FR INNER	BOX,L/H FR INNER	0	
	81136	81136-LEA7-E00	SPRING, FR INNER BOX	SPRING, FR INNER BOX	1	
**	81141	81141-LEA7-E00	TUNNEL, LEG SHIELD	TUNNEL, LEG SHIELD	1	
	81150	81150-LEA7-E00	LOCKLESS ASSY	LOCKLESS ASSY	1	
**	83520	83520-LEA7-E00	COVER, R SIDE	COVER, R SIDE	1	
	83550	83550-KEC8-900	COLLAR	COLLAR	1	
	83551-KEC8	83551-KEC8-900	GROMMET COVER	GROMMET COVER	1	
	83551-LEA7	83551-LEA7-E00	GROMMET,FRONT COVER	GROMMET,FRONT COVER	2	
**	83620	83620-LEA7-E00	COVER, L SIDE	COVER, L SIDE	1	
	8376A	8376A-KEBE-900	CLIP ASSY CENTER	CLIP ASSY CENTER	1	
	90302	90302-SDA4-004	NUT SPRING 4MM	NUT SPRING 4MM	33	
	90305	90305-LBA2-E00	NUT CLIP 6MM	NUT CLIP 6MM	1	
	90652-LCA4	90652-LCA4-E00	CLIP MUDGUARD	CLIP MUDGUARD	8	



Sales mark	Ref no	Part no	Description	Reg description	Regd no	F05
	90652-LEC8	90652-LEC8-E00	CLIP MUDGUARD	CLIP MUDGUARD	1	
	93404	93404-06016-06	BOLT WASHER 6*16	BOLT WASHER 6*16	10	
	93903-34360	93903-34360	SCREW TAPPING 4*12	SCREW TAPPING 4*12	26	
	93903-34760	93903-34760	SCREW TAPPING 4*30	SCREW TAPPING 4*30	2	
	93903-GFY6	93903-GFY6-900	SCREW TAPPING 4*14	SCREW TAPPING 4*14	27	
	93903-KEB7-900	93903-KEB7-900-06	SCREW WASHER 4*12 (G)	SCREW WASHER 4*12	1	
	95002	95002-02080	CLIP B8 TUBE	CLIP B8 TUBE	2	



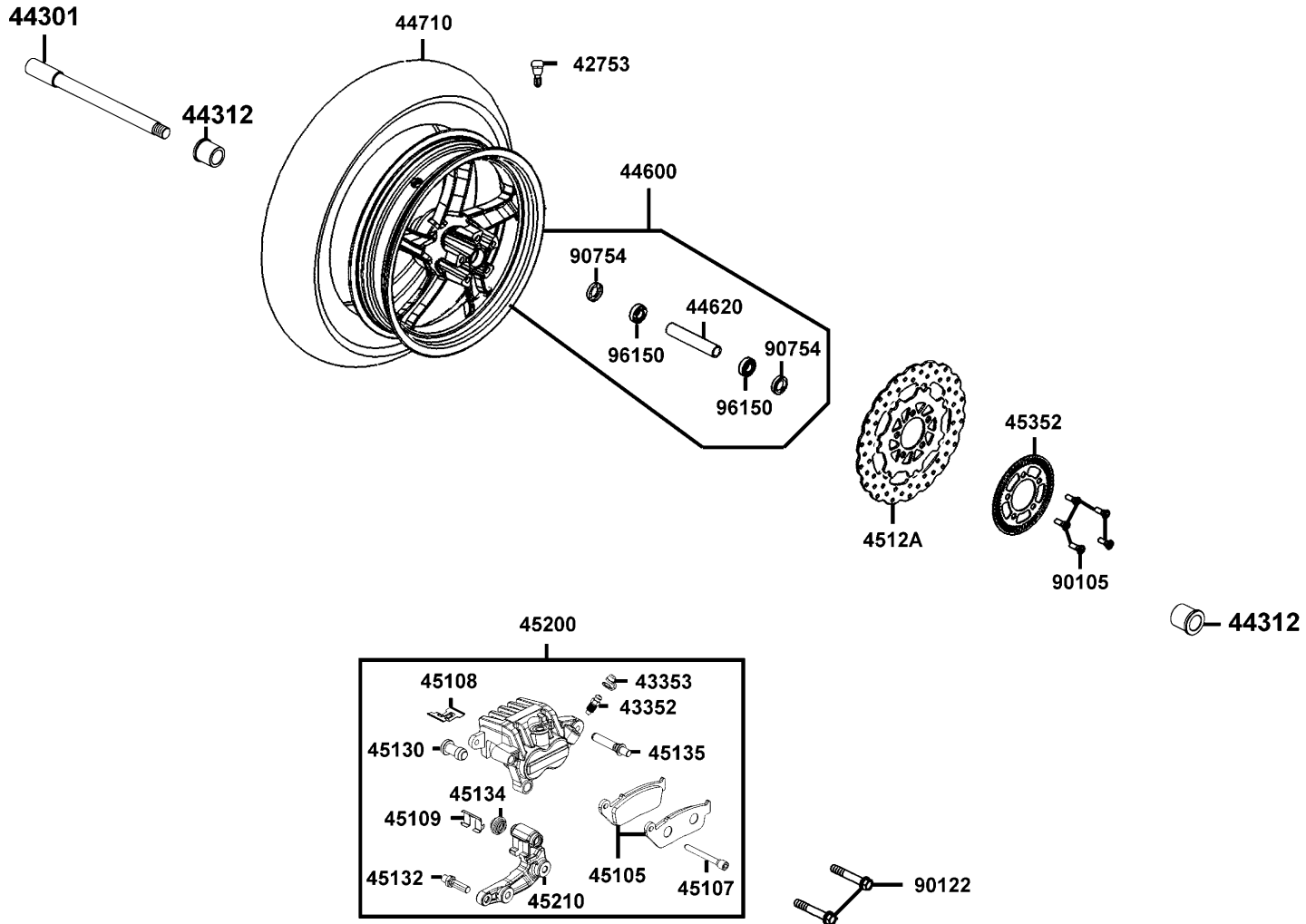
Sales mark	Ref no	Part no	Description	Reg description	Regd no	F06
	45128	45128-LBA2-920	CLAMPER FR BRK HOSE	CLAMPER FR BRK HOSE	1	
	45129	45129-LBA2-900	CLAMPER FR BRK HOSE	CLAMPER FR BRK HOSE	0	
	50306	50306-1F96-001	NUT STRG STEM LOCK	NUT STRG STEM LOCK	1	
**	51400	51400-LEA7-E00	FORK ASSY, FR R	FORK ASSY, FR R	1	
**	51500	51500-LEA7-E00	FORK ASSY, FR L	FORK ASSY, FR L	1	
	53200	53200-LEA7-E00	STEM COMP., STRG	STEM COMP., STRG	1	
	53213	53213-LBA2-E00	DUST SEAL STRG HEAD TOP	DUST SEAL STRG HEAD TOP	1	
	53214	53214-LBA2-E00	DUST SEAL STRG (HEAD)	DUST SEAL STRG (HEAD)	1	
	53220	53220-LBA2-E00	THREAD COMP STRG HEAD TOP	THREAD COMP STRG HEAD TOP	1	
	53240	53240-LBA2-E00	BEARING TOT STRG	BEARING TOT STRG	1	
	53250	53250-LBA2-E00	BEARING BOT STRG	BEARING BOT STRG	1	
**	61100	61100-LEA7-E00	FENDER ASSY FR (NH045/NH105)	FENDER ASSY FR (NH045/NH105)	1	
	64222	64222-LLJ3-E00	RUBBER WIND SCREEN	RUBBER WIND SCREEN	2	
	83550	83550-KEC8-900	COLLAR	COLLAR	2	
	83551	83551-KEC8-900	GROMMET COVER	GROMMET COVER	2	
	90107	90107-LEA7-E00	BOLT,SPECIAL,8MM	BOLT,SPECIAL,8MM	2	
	90305	90305-LBA2-E00	NUT CLIP 6MM	NUT CLIP 6MM	2	
	90312	90312-LLJ3-E01	COLLAR WIND SCREEN	COLLAR WIND SCREEN	2	
	90503	90503-LEA7-E00	WASHER STRG STEM NUT	WASHER STRG STEM NUT	1	
	95701-06008	95701-06008-06	BOLT FLANGE 6*8	BOLT FLANGE 6*8	1	



Sales mark	Ref no	Part no	Description	Reg description	Regd no	F06
	95701-06045	95701-06045-06	BOLT FLANGE 6*45	BOLT FLANGE 6*45	2	
	95801	95801-08040-08	BOLT FLANGE 8*40	BOLT FLANGE 8*40	4	
	96001	96001-06012-06	BOLT FLANGE SH 6*12	BOLT FLANGE SH 6*12	2	
	96700	96700-KED9-900	BOLT SOCKET 8*30	BOLT SOCKET 8*30	1	

F07

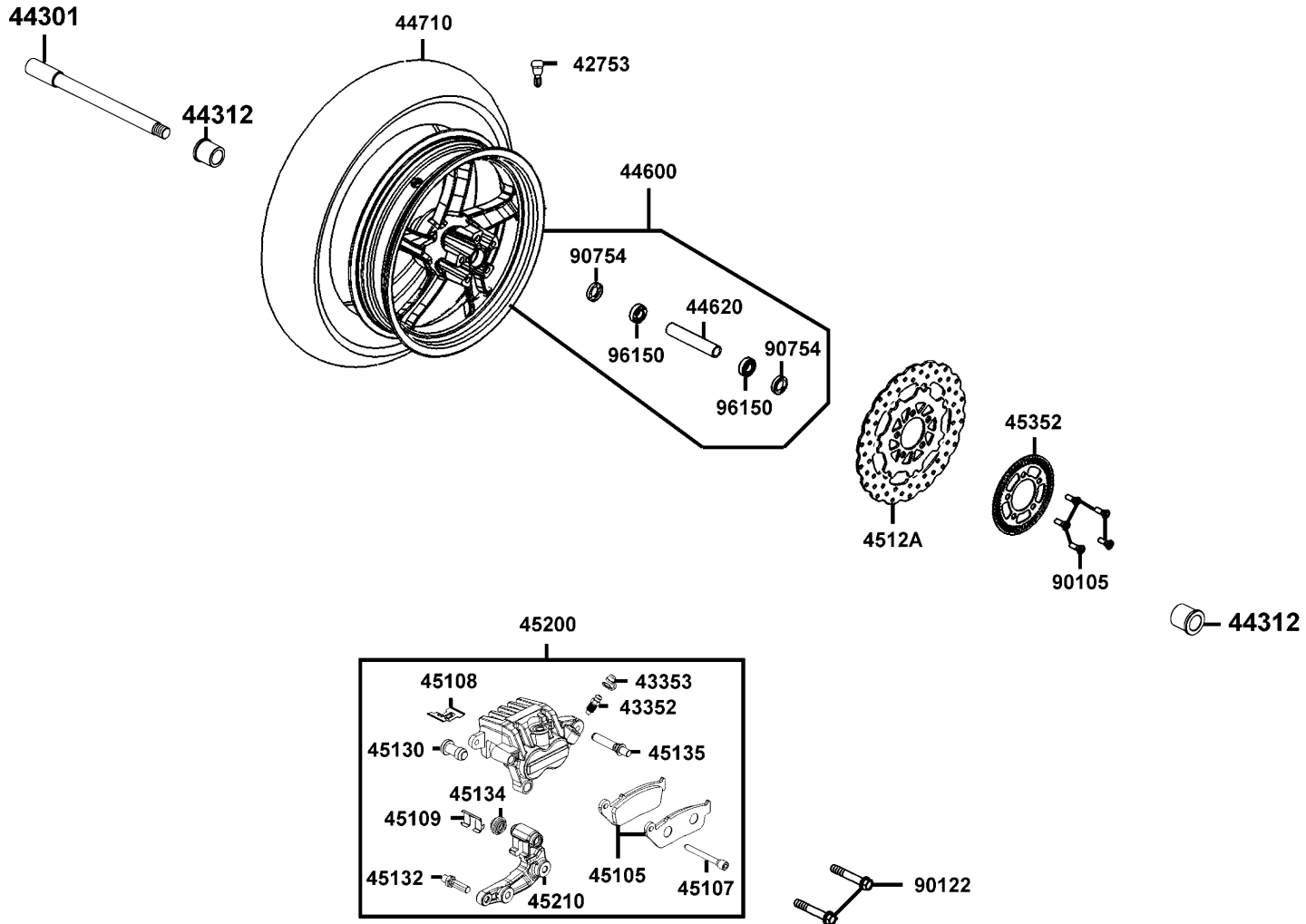
Front Wheel



Sales mark	Ref no	Part no	Description	Reg description	Regd no	F07
	42753	42753-KNBN-90B	VALVE (TR 412) & CAP (E)	VALVE RIM (TIR 412)	1	
	43352	43352-KED9-900	BLEEDER	BLEEDER	1	
	43353	43353-KED9-900	CAP BLEEDER	CAP BLEEDER	1	
	44301	44301-LEA7-E00	AXLE, FR WHEEL	AXLE, FR WHEEL	1	
	44312	44312-LEA7-E00	COLLAR, FR WHEEL SIDE	COLLAR, FR WHEEL SIDE	2	
**	44600	44600-LEA7-305	WHEEL ASSY FR	WHEEL ASSY FR	1	
	44620	44620-LEA7-E00	COLLAR, FR WHEEL DIST.	COLLAR, FR WHEEL DIST.	1	
	44710	44710-LEA7-E0A	TIRE ASSY FR	TIRE ASSY FR	1	
	45105	45105-LEA7-305	PAD SET	PAD SET	2	
	45107	45107-KED9-900	PISTON	PISTON	1	
	45108	45108-LEA7-E00	SPRING PAD	SPRING PAD	1	
	45109	45109-KED9-900	SPRING PAD	SPRING PAD	1	
	4512A	4512A-LEA7-E00	DISK COMP., FR BRAKE	DISK COMP., FR BRAKE	1	
	45130	45130-KED9-900	BUSH PIN	BUSH PIN	1	
	45132	45132-KED9-900	PIN BOLT	PIN BOLT	1	
	45134	45134-KED9-900	BOOT B	BOOT B	1	
	45135	45135-KED9-900	PIN BOLT A	PIN BOLT A	1	
**	45200	45200-LEA7-E00	CALIPER ASSY, FR	CALIPER ASSY, FR	1	
	45210	45210-LEA7-E00	BRACKET FR	BRACKET FR	1	
	45352	45352-LEA7-E00	TOOTHED RING, SENSOR	TOOTHED RING, SENSOR	1	

F07

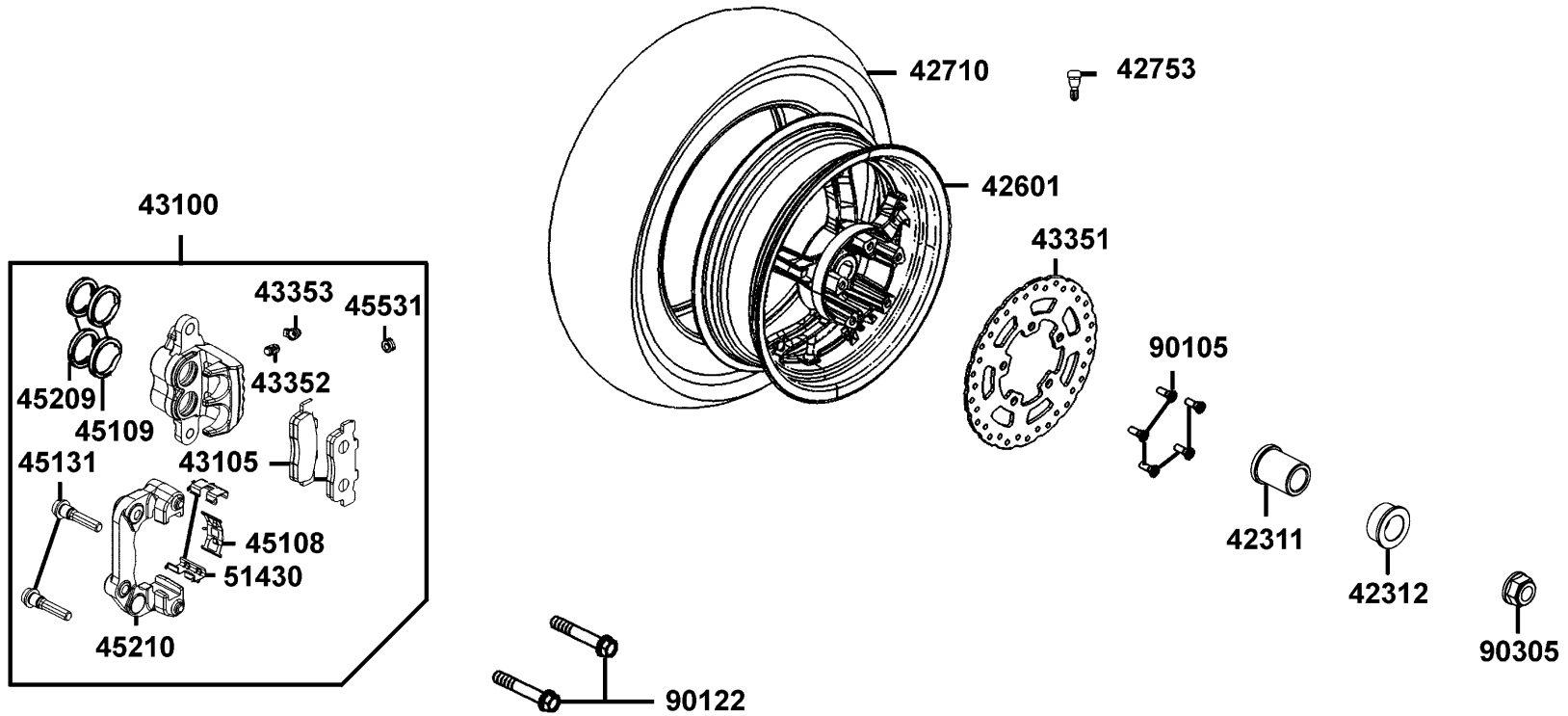
Front Wheel



Sales mark	Ref no	Part no	Description	Reg description	Regd no	F07
	90105	90105-LEA7-E00	BOLT, FR DISK 8x30	BOLT, FR DISK 8x30	5	
	90122	90122-LEA7-E00	BOLT FLANGE 10x42(Cr)	BOLT FLANGE 10x42(Cr)	2	
	90754	90754-LLJ3-E00	DUST SEAL	DUST SEAL	2	
	96150	96150-60020-00	BEARING BALL RADIAL 6002	BEARING BALL RADIAL 6002	0	

F08

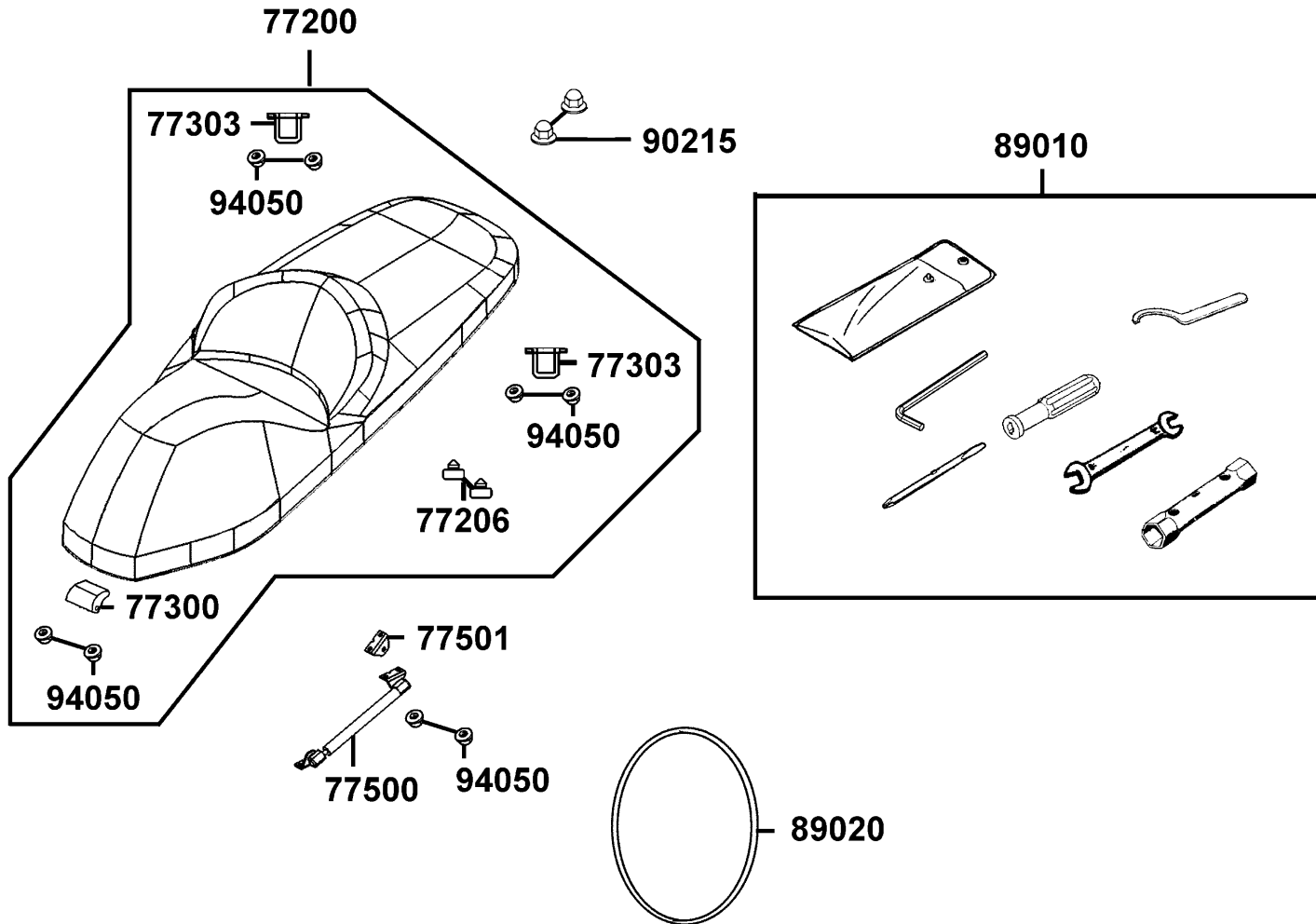
Rear Wheel



Sales mark	Ref no	Part no	Description	Reg description	Regd no	F08
	42311	42311-LEA7-E00	COLLAR, RR AXLE SIDE A	COLLAR, RR AXLE SIDE A	1	
	42312	42312-LEA7-E00	COLLAR, RR AXLE SIDE	COLLAR, RR AXLE SIDE	1	
**	42601	42601-LEA7-E00	WHEEL COMP., RR	WHEEL COMP., RR	1	
	42710	42710-LEA7-E0A	TIRE ASSY RR	TIRE ASSY RR	1	
	42753	42753-KNBN-90B	VALVE (TR 412) & CAP (E)	VALVE RIM (TIR 412)	1	
**	43100	43100-LEA7-E00	CALIPER ASSY, RR	CALIPER ASSY, RR	1	
	43105	43105-LEA7-305	PAD ASSY A	PAD ASSY A	1	
	43351	43351-LEA7-E00	DISK, RR BRAKE	DISK, RR BRAKE	1	
	43352	43352-KKD6-E90	SCREW BLEEDER	SCREW BLEEDER	0	
	43353	43353-4A61-77A	CAP BLEEDER	CAP BLEEDER	0	
	45108	45108-LDH1-E00	SPRING PAD	SPRING PAD	1	
	45109	45109-GBE2-007	DUST SEAL	DUST SEAL	0	
	45131	45131-LDH1-E00	PIN BOLT	PIN BOLT	2	
	45209	45209-GBE2-007	SEAL PISTON	SEAL PISTON	0	
	45210	45210-LEA7-E00	BRACKET FR	BRACKET FR	1	
	51430	51430-LDH1-E00	SLIDE PAD	SLIDE PAD	2	
	90105	90105-KCR3-001	BOLT FR DISK 8*24	BOLT FR DISK 8*24	5	
	90122	90122-LEA7-E00	BOLT FLANGE 10x42(Cr)	BOLT FLANGE 10x42(Cr)	2	
	90305	90305-KKAK-900	NUT U 16MM	NUT U 16MM	1	

F09

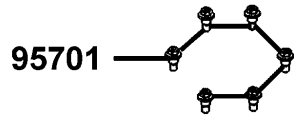
Seat



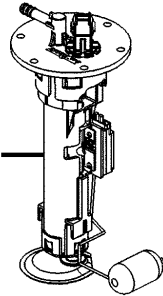
Sales mark	Ref no	Part no	Description	Reg description	Regd no	F09
**	77200	77200-LEA7-305	SEAT ASSY	SEAT ASSY	1	
	77206	77206-KEB7-900	RUBBER SEAT CUSH	RUBBER SEAT CUSH	2	
	77300	77300-LEA7-E00	HINGE COMP.,SEAT	HINGE COMP.,SEAT	1	
	77303	77303-LLJ3-E00	HOOK SEAT LOCK	HOOK SEAT LOCK	2	
	77500	77500-LEA7-E00	DAMPER,.,CAS	DAMPER,.,CAS	1	
	77501	77501-LBA2-E00	STAY GAS DAMPER	STAY GAS DAMPER	1	
	89010	89010-LEA7-E00	TOOL SET	TOOL SET	1	
	89020	89020-KKC4-900	BAND TOOL SET	BAND TOOL SET	1	
	90215	90215-KKC4-900	NUT CAP 6MM	NUT CAP 6MM	2	
	94050	94050-06080	NUT FLANGE 6MM	NUT FLANGE 6MM	8	

F10

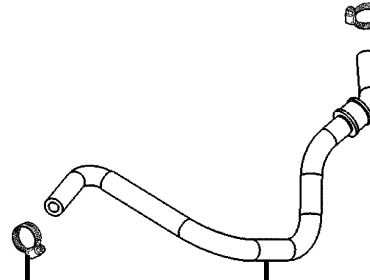
Fuel Tank



95701



17550



17685

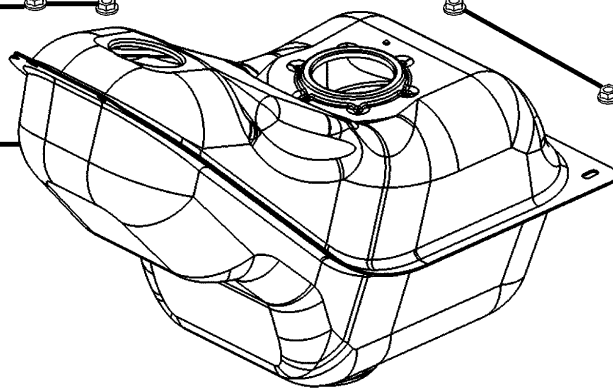
19504

19504

90301

17500

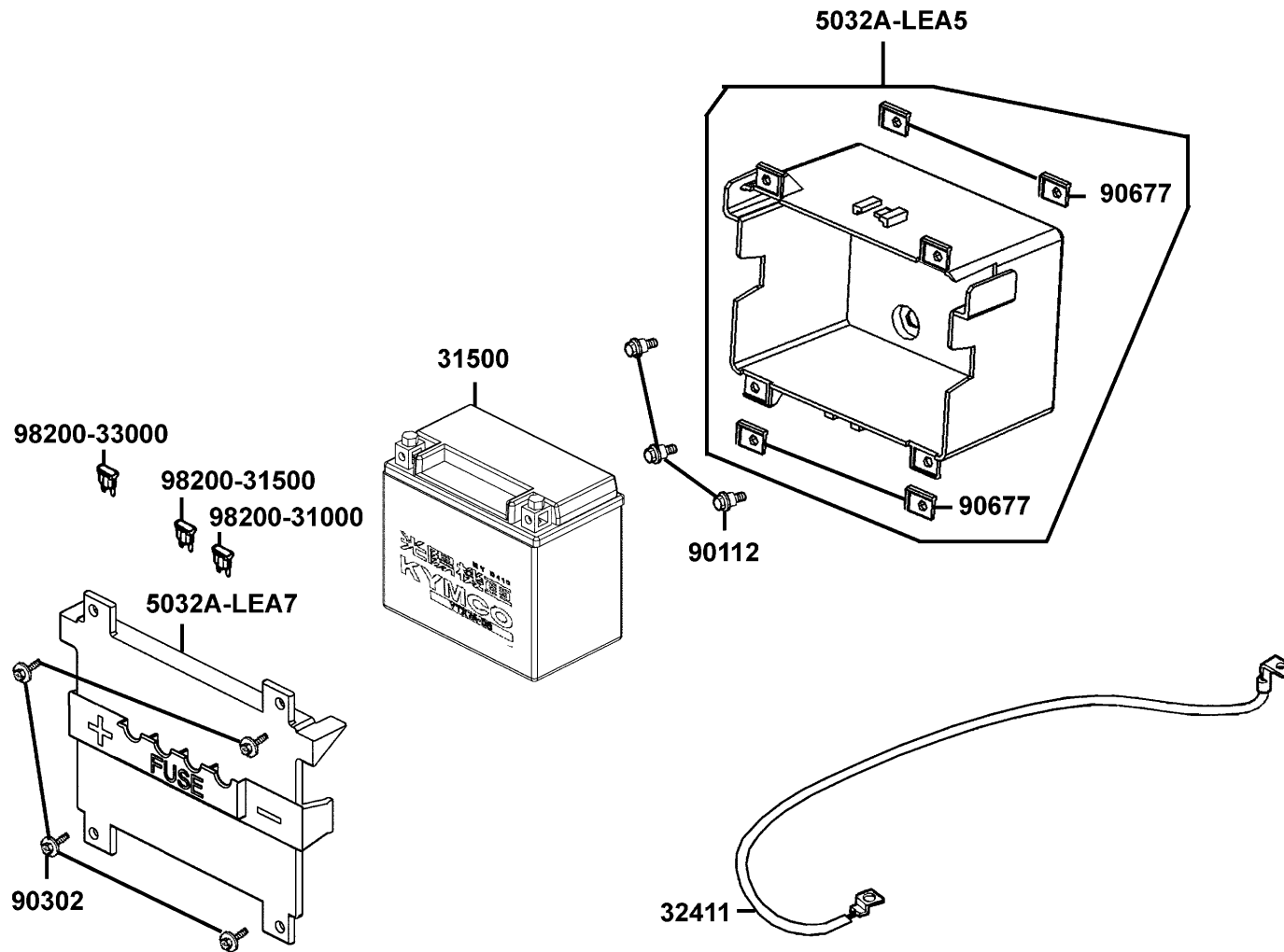
90301



Sales mark	Ref no	Part no	Description	Reg description	Regd no	F10
	17500	17500-LEA7-E00	TANK COMP.,FUEL	TANK COMP.,FUEL	1	
	17550	17550-LEA7-800	FUEL PUMP MODULE ASSY	FUEL PUMP MODULE ASSY	1	
	17685	17685-LEA7-E00	TUBE,FUEL PUMP	TUBE,FUEL PUMP	1	
	19504	19504-LBA2-E00	CLAMP D 16.8	CLAMP D 16.8	2	
	90301	90301-6D34-671	NUT FLANGE 6MM	NUT FLANGE 6MM	4	
	95701	95701-LDF2-800	BOLT FLANGE 5*6.5	BOLT FLANGE M5*6.5	6	

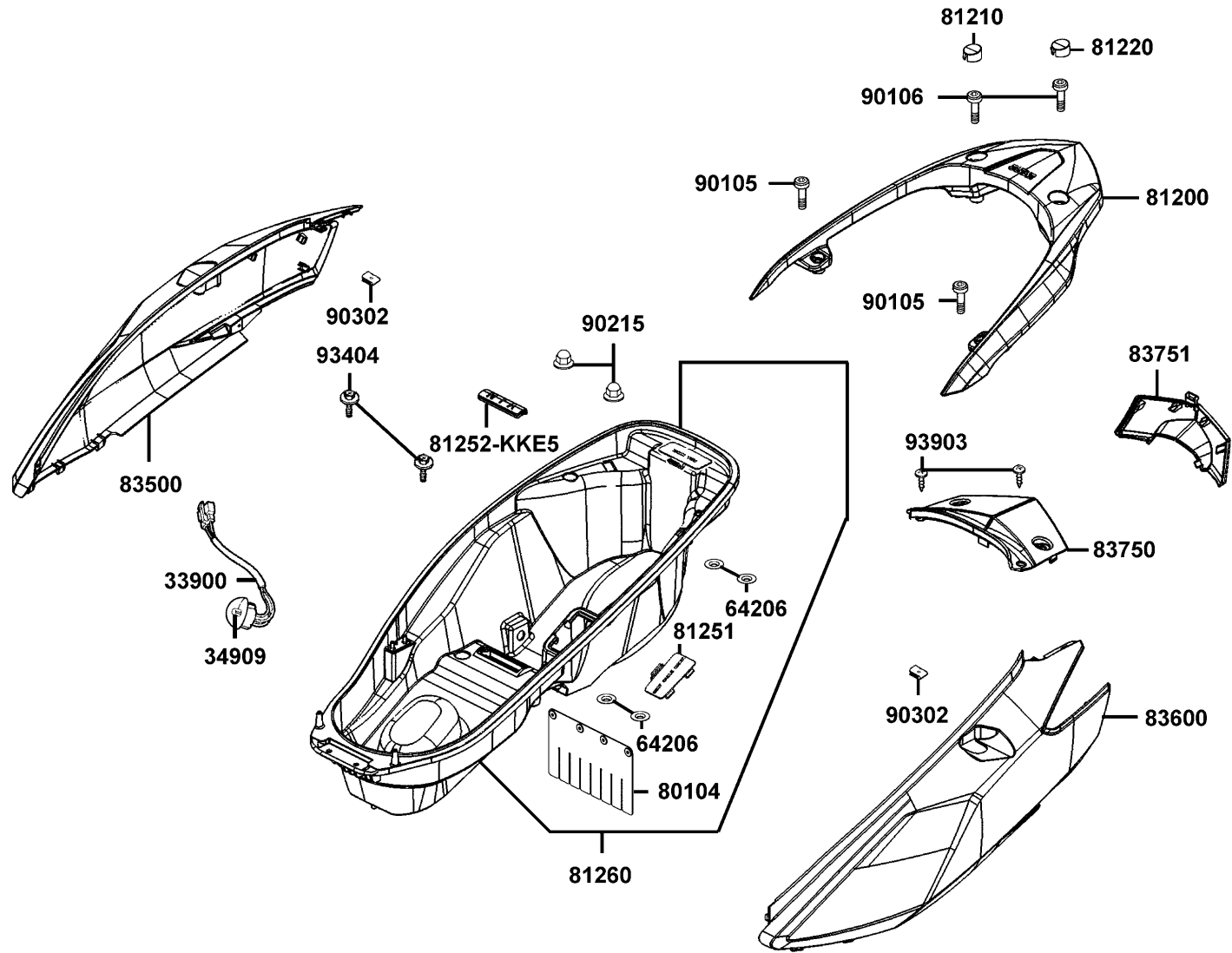
F11

Battery

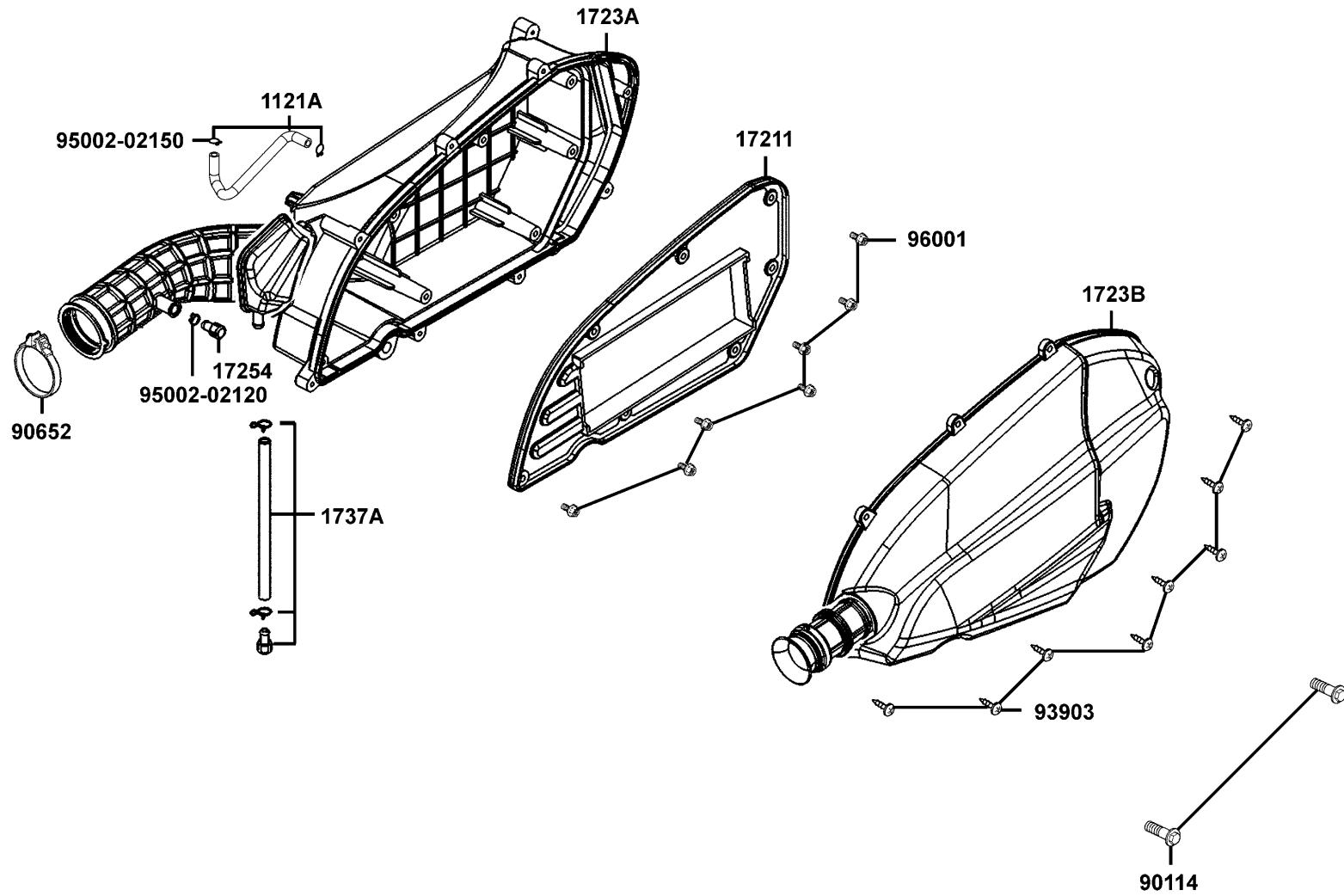


Sales mark	Ref no	Part no	Description	Reg description	Regd no	F11
	31500	31500-LEA6-900	BATTERY YT12A-BS	BATTERY YT12A-BS	1	
	32411	32411-LEA7-E00	CABLE,BATTERY	CABLE,BATTERY	1	
	5032A-LEA7	5032A-LEA7-E00	COVER ASSY BATTERY	COVER ASSY BATTERY	1	
	90112	90112-KNBN-901	BOLT FLANGE 6MM	BOLT FLANGE 6MM	3	
	90302	90302-GFY6-940	BOLT-WASH 5*16	BOLT- WASH 5*16	4	
	90677	90677-GAR1-004	NUT CLIP 5MM	NUT CLIP 5MM	0	
	98200-31000	98200-31000	BLADE FUSE 10A	BLADE FUSE 10A	1	
	98200-31500	98200-31500	BLADE FUSE 15A	BLADE FUSE 15A	1	
	98200-33000	98200-33000	BLADE FUSE 30A	BLADE FUSE 30A	1	

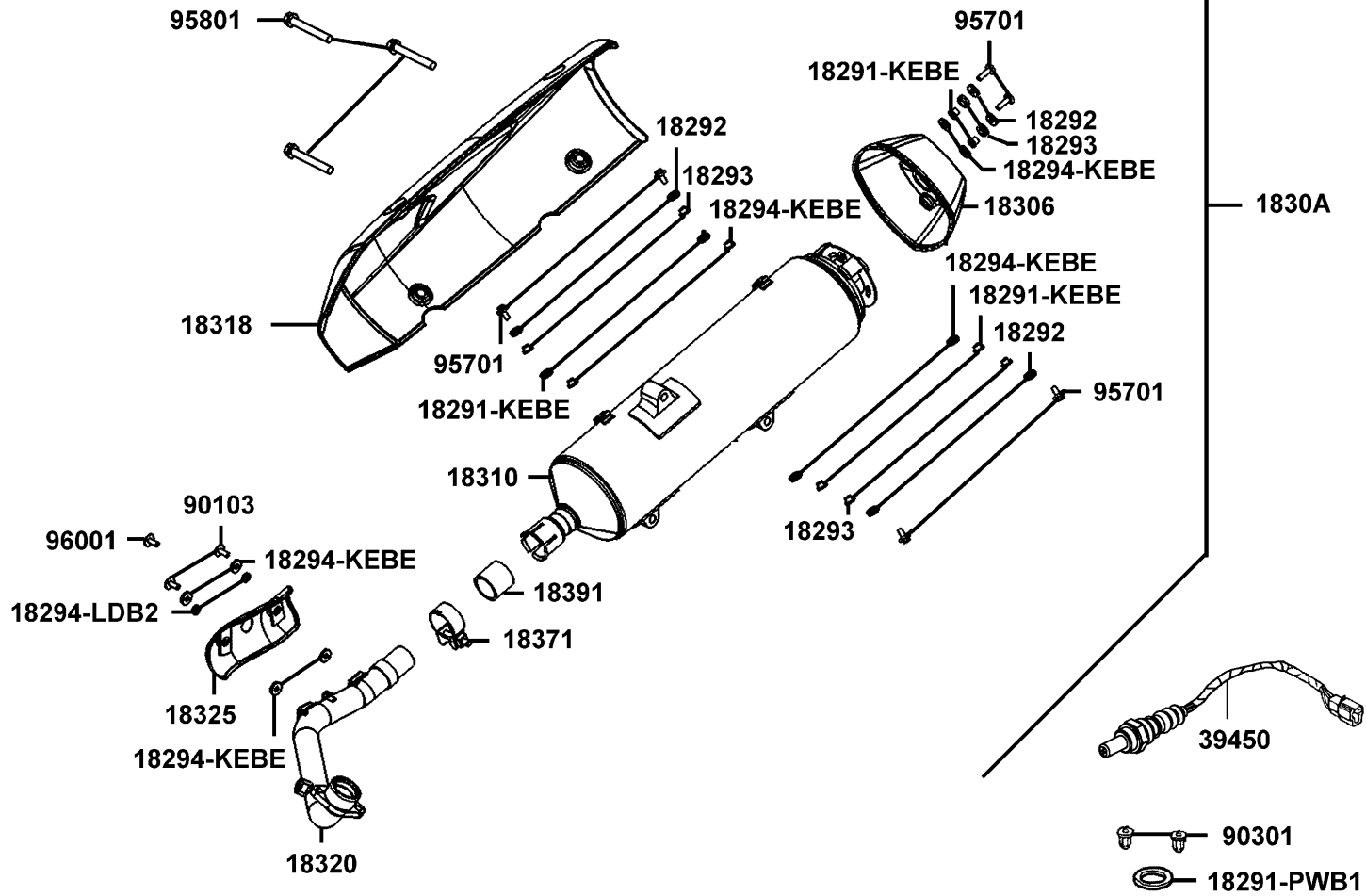
Body Cover Luggage Box



Sales mark	Ref no	Part no	Description	Reg description	Regd no	F12
	33900	33900-KKE5-E00	LIGHT ASSY.,LUGGAGE BOX	LIGHT ASSY.,LUGGAGE BOX	1	
	34909	34909-KKE5-E00	BULB WEDGE BASE	BULB WEDGE BASE	1	
	64206	64206-MLJ0-001	NUT SPEED 4MM	NUT SPEED 4MM	4	
	80104	80104-LBA2-E00	PLATE C SPLASH GUARD	PLATE B SPLASH GUARD	1	
**	81200	81200-LEA7-E00	COMP.,RR CARRIER	COMP.,RR CARRIER	1	
**	81210	81210-LEA7-E00	PLUG,RR CARRIER	PLUG,RR CARRIER	2	
**	81220	81220-LEA7-E00	PLUG L/H,RR CARRIER	PLUG L/H,RR CARRIER	1	
	81251	81251-LEA7-E00	COVER,SEAT CABLE MAINT.	COVER,SEAT CABLE MAINT.	1	
	81252	81252-KKE5-E00	PLUG,LUGGAGE BOX	PLUG,LUGGAGE BOX	1	
	81260	81260-LEA7-E00	BOX ASSY LUGGAGE	BOX ASSY LUGGAGE	1	
**	83500	83500-LEA7-E00	COVER, R BODY	COVER, R BODY	1	
**	83600	83600-LEA7-E00	COVER, L BODY	COVER, L BODY	1	
**	83750	83750-LEA7-E00	COVER,RR CENTER	COVER,RR CENTER	1	
**	83751	83751-LEA7-E00	MOLD,RR CENTER	MOLD,RR CENTER	1	
	90105	90105-KFC2-900	BOLT WASH 8*32	BOLT WASHER 8*32	2	
	90106	90106-KFA6-900	BOLT WASH 8MM	BOLT SPECIAL 8*75	2	
	90215	90215-KKC4-900	NUT CAP 6MM	NUT CAP 6MM	2	
	90302	90302-SDA4-004	NUT SPRING 4MM	NUT SPRING 4MM	2	
	93404	93404-06016-06	BOLT WASHER 6*16	BOLT WASHER 6*16	2	
	93903	93903-GFY6-900	SCREW TAPPING 4*14	SCREW TAPPING 4*14	2	



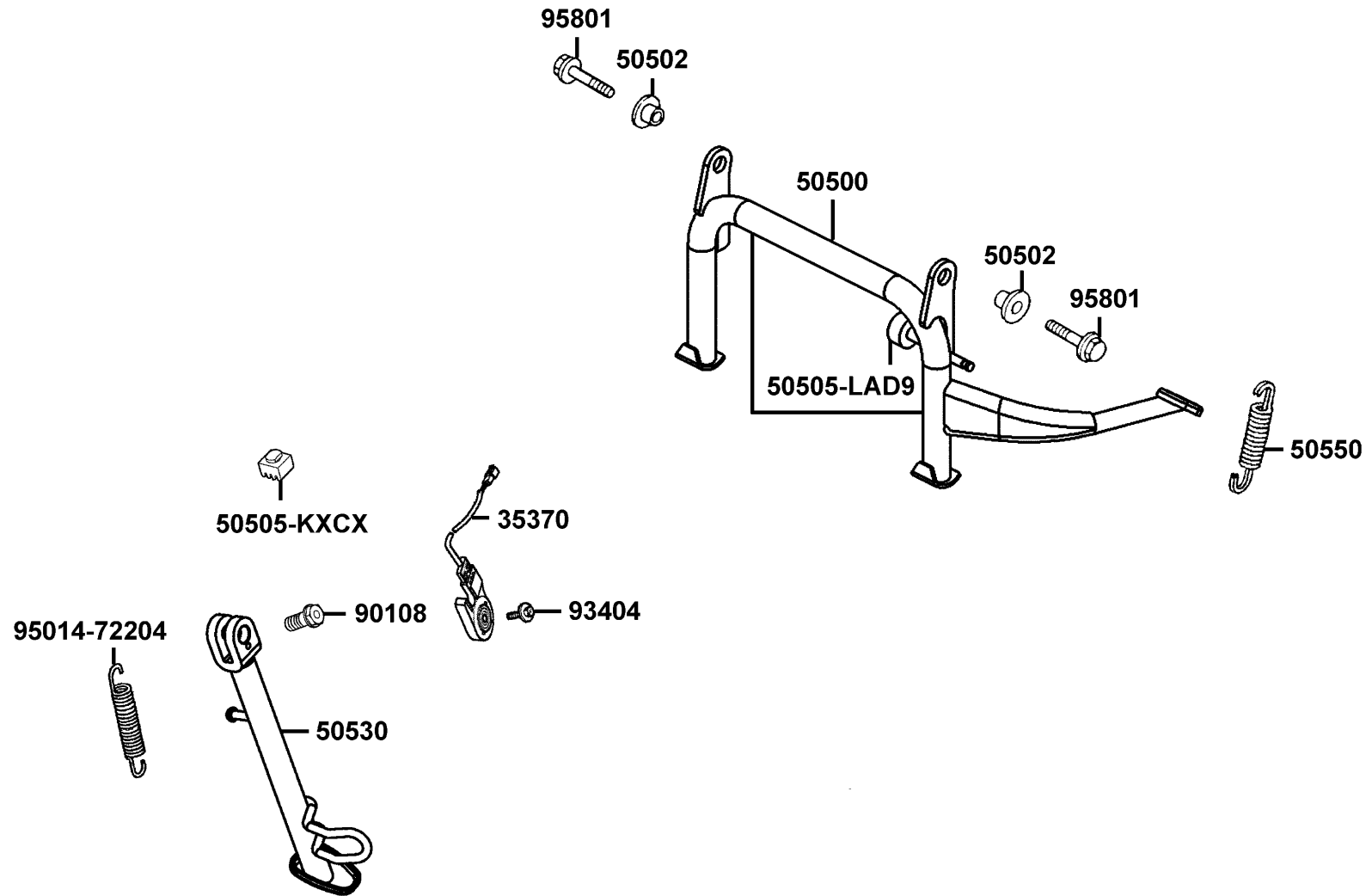
Sales mark	Ref no	Part no	Description	Reg description	Regd no	F13
	1121A	1121A-LEA7-E00	TUBE, BREATHER	TUBE, BREATHER	1	
	17211	17211-LEA7-E00	ELEMENT, AIR/C	ELEMENT, AIR/C	1	
	1723A	1723A-LEA7-E00	CASE ASSY AIR/C	CASE ASSY AIR/C	1	
	1723B	1723B-LEA7-E00	COVER COMP AIR/C	COVER COMP AIR/C	1	
	17254	17254-KACA-P00	JOINT PURGE TUBE	JOINT BREATHER TUBE	1	
	1737A	1737A-KUDU-900	V TUBE ASSY	V TUBE ASSY	1	
	90114	90114-GDM4-011	BOLT FLANGE 6*28	BOLT FLANGE SH 6*28	2	
	90652	90652-KHE7-900	BAND CONNECTING TUBE	BAND CONNECTING TUBE	1	
	93903	93903-25460	SCREW TAPPING 4*12	SCREW TAPPING 5*20	8	
	95002-02120	95002-02120	CLIP B12 TUBE	CLIP B12 TUBE	1	
	95002-02150	95002-02150	CLIP B14.5 TUBE	CLIP B14.5 TUBE	2	
	96001	96001-GFY6-900	BOLT SPECIAL 5*10	BOLT FLANGE 5*10	7	



Sales mark	Ref no	Part no	Description	Reg description	Regd no	F14
	18291-KEBE	18291-KEBE-900	COLLAR	COLLAR	6	
	18291-PWB1	18291-PWB1-900	SEAL EXHAUST PIPE	SEAL EXHAUST PIPE	1	
	18292	18292-KEBE-900	PACKING PROTECTOR	PACKING PROTECTOR	6	
	18293	18293-KEBE-900	RUBBER PKG PROTR	RUBBER PKG PROTR	6	
	18294-KEBE	18294-KEBE-900	PACKING PROTECTOR	PACKING PROTECTOR	10	
	18294-LDB2	18294-LDB2-900	PACKING INNER PROTECTOR	PACKING INNER PROTECTOR	2	
**	18306	18306-LEA7-E00	TAIL CAP MUFFER	TAIL CAP MUFFER	1	
**	1830A	1830A-LEA7-E00	MUFFLER ASSY. EXH	MUFFLER ASSY. EXH	1	
	18310	18310-LEA7-E00	MUFFLER COMP	MUFFLER COMP	1	
**	18318	18318-LEA7-E00	PROTECTOR,MUFFLER	PROTECTOR,MUFFLER	1	
	18320	18320-LEA7-E00	PIPE,EXHAUST	PIPE,EXHAUST	1	
**	18325	18325-LEA7-E00	PROTECTOR,EXHAUST	PROTECTOR,EXHAUST	1	
	18371	18371-LEA7-E00	BAND,MUFFLER	BAND,MUFFLER	1	
	18391	18391-LEA7-E00	GASKET	GASKET	1	
	39450	39450-LDF2-800	O2 SENSOR	O2 SENSOR	1	
	90103	90103-LEA5-E00	SCREW WASHER SPECIAL 6*16	SCREW WASHER SPECIAL 6*16	2	
	90301	90301-GFY6-901	NUT (HEX) CAP 8MM	NUT (HEX) CAP 8MM	2	
	95701	95701-06022-06	BOLT FLANGE 6*22	BOLT FLANGE 6*22	6	
	95801	95801-10060-06	BOLT FLANGE 10*60	BOLT FLANGE 10*60	3	
	96001	96001-06008-07	BOLT FLANGE SH 6*8	BOLT FLANGE SH 6X18	2	

F15

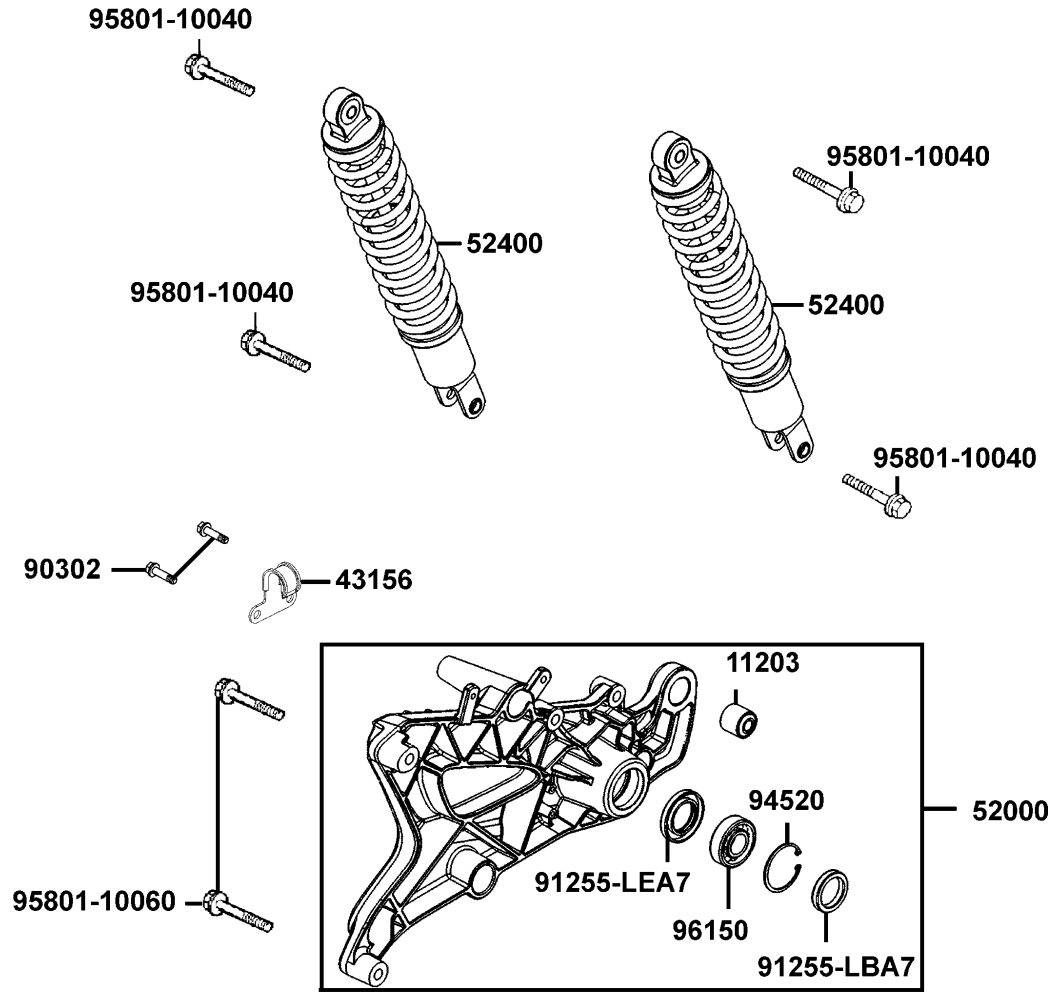
Stand



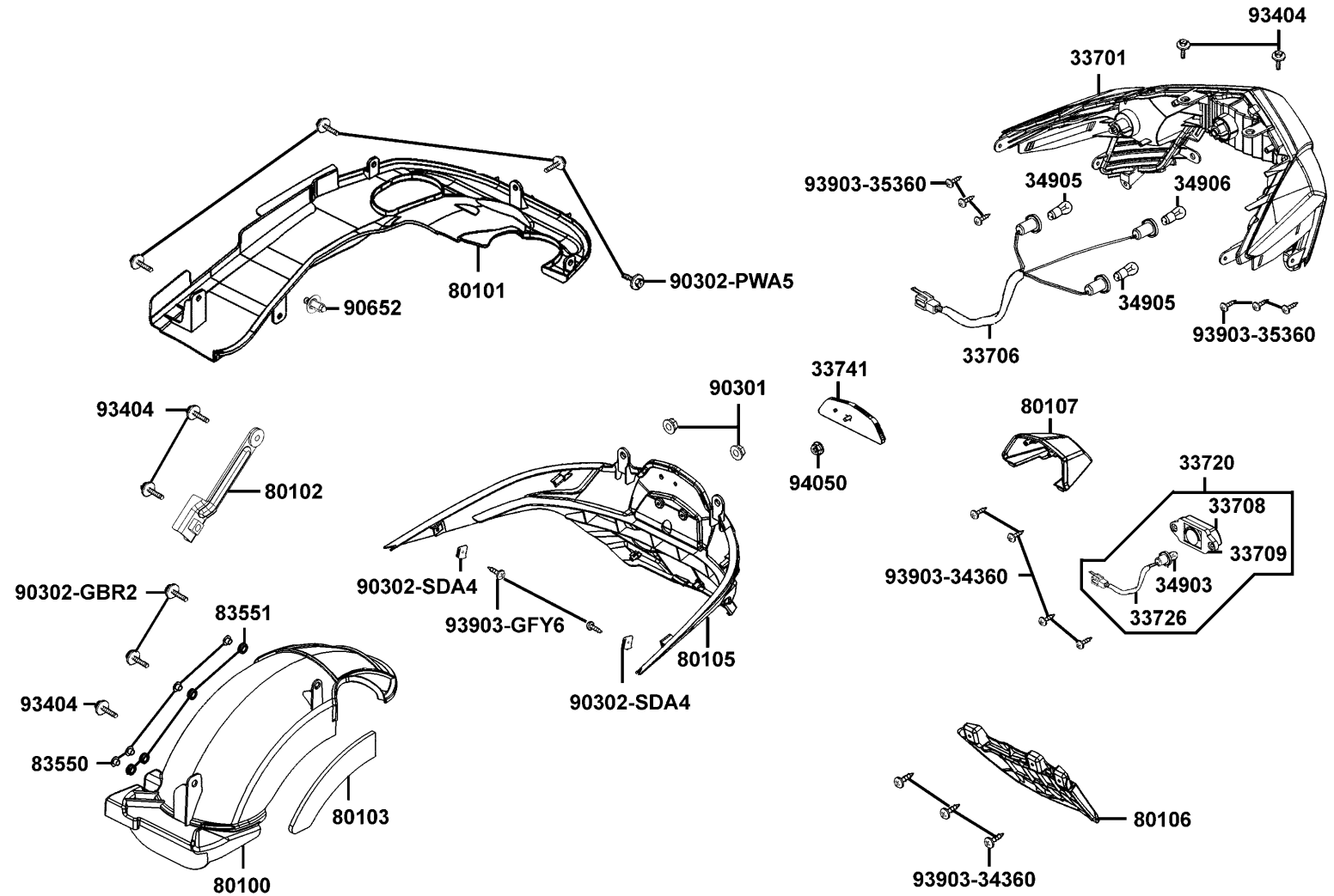
Sales mark	Ref no	Part no	Description	Reg description	Regd no	F15
	35370	35370-LLJ3-E00	SW UNIT SIDE STAND	SW UNIT SIDE STAND	1	
	50500	50500-LEA7-E00	STAND COMP.,MAIN	STAND COMP.,MAIN	1	
	50502	50502-LDF7-E10	COLLAR,MAIN STAND	COLLAR,MAIN STAND	2	
	50505-KXCX	50505-KXCX-900	STOPPER RUBBER STAND	STOPPER RUBBER STAND	1	
	50505-LAD9	50505-LAD9-900	STOPPER RUBBER	RUBBER STOPPER MAIN	1	
	50530	50530-LEA7-E00	BAR, SIDE STAND	BAR, SIDE STAND	1	
	50550	50550-KKC2-E00	SPG ASSY MAIN STAND	SPG ASSY MAIN STAND	1	
	90108	90108-KKC4-900	SCREW SIDE STAND PIVOT	SCREW SIDE STAND PIVOT	1	
	93404	93404-06016-06	BOLT WASHER 6*16	BOLT WASHER 6*16	1	
	95014	95014-72204	SPG B1 SIDE STAND	SPG B1 SIDE STAND	1	
	95801	95801-10030-06	BOLT FLANGE 10*30(G)	BOLT FLANGE 10*30(G)	2	

F16

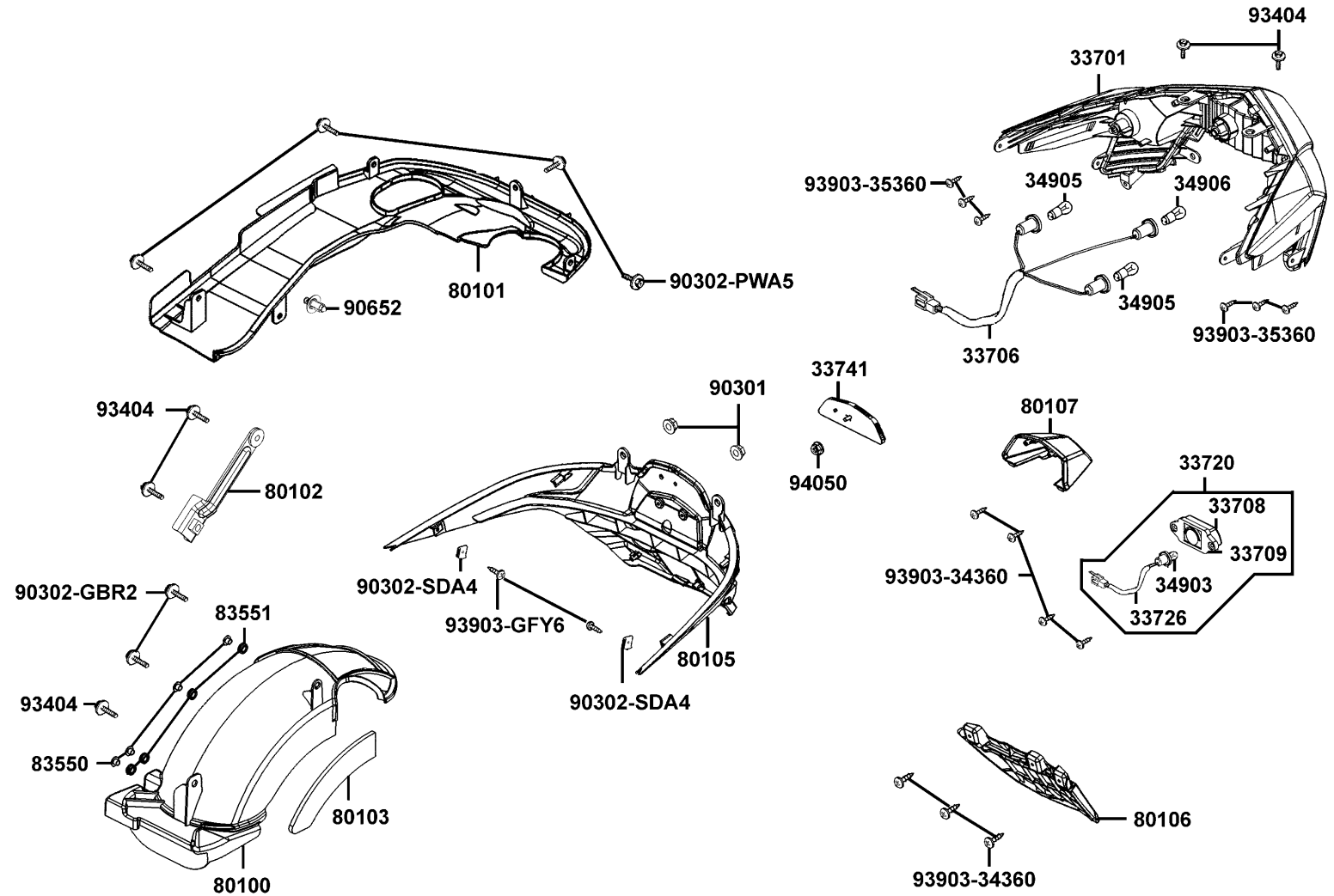
Rr Cushion



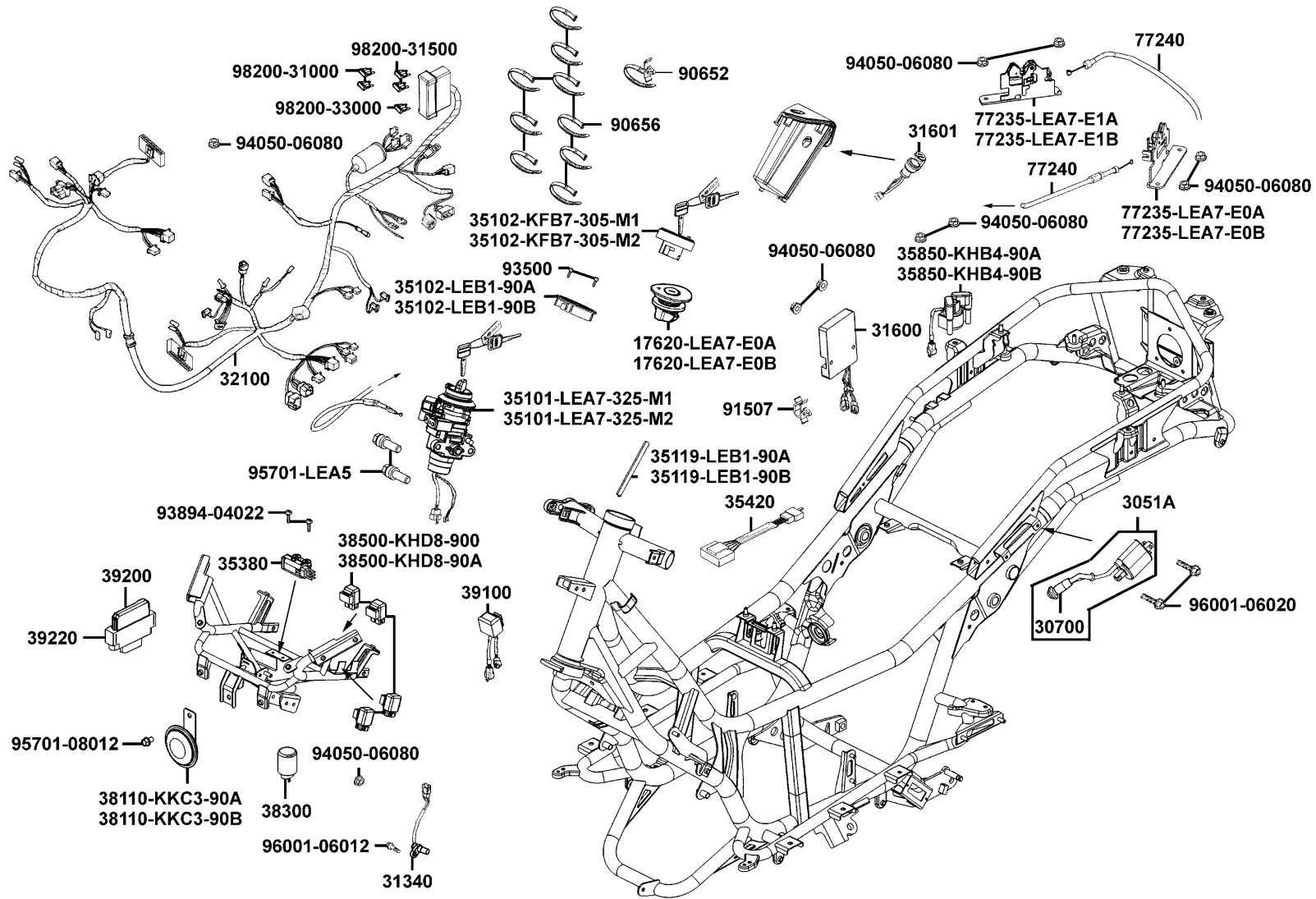
Sales mark	Ref no	Part no	Description	Reg description	Regd no	F16
	11203	11203-LBA2-E00	RUB BUSH L CASE	RUB BUSH L CASE	1	
	43156	43156-LEA7-E00	CLAMPER HOSE RR	CLAMPER HOSE RR	1	
**	52000	52000-LEA7-E00	FORK ASSY, RR	FORK ASSY, RR	1	
**	52400	52400-LEA7-E00	CUSHION ASSY, RR	CUSHION ASSY, RR	2	
	90302	90302-LLB1-E00	BOLT-WASHER 5*12	BOLT-WASHER 5*12	2	
	91255-LBA7	91255-LBA7-900	OIL SEAL 30*40*7	OIL SEAL 30*40*7	1	
	91255-LEA7	91255-LEA7-E00	OIL SEAL 30x50x7	OIL SEAL 30x50x7	1	
	94520	94520-47000	CIR CLIP IN 47	CIR CLIP IN 47	1	
	95801-10040	95801-10040-02	BOLT FLANGE 10*40	BOLT FLANGE 10*40	4	
	95801-10060	95801-10060-06	BOLT FLANGE 10*60	BOLT FLANGE 10*60	2	
	96150	96150-62040-10	BEARING BALL RADIAL 6204	BEARING BALL RADIAL 6204	1	



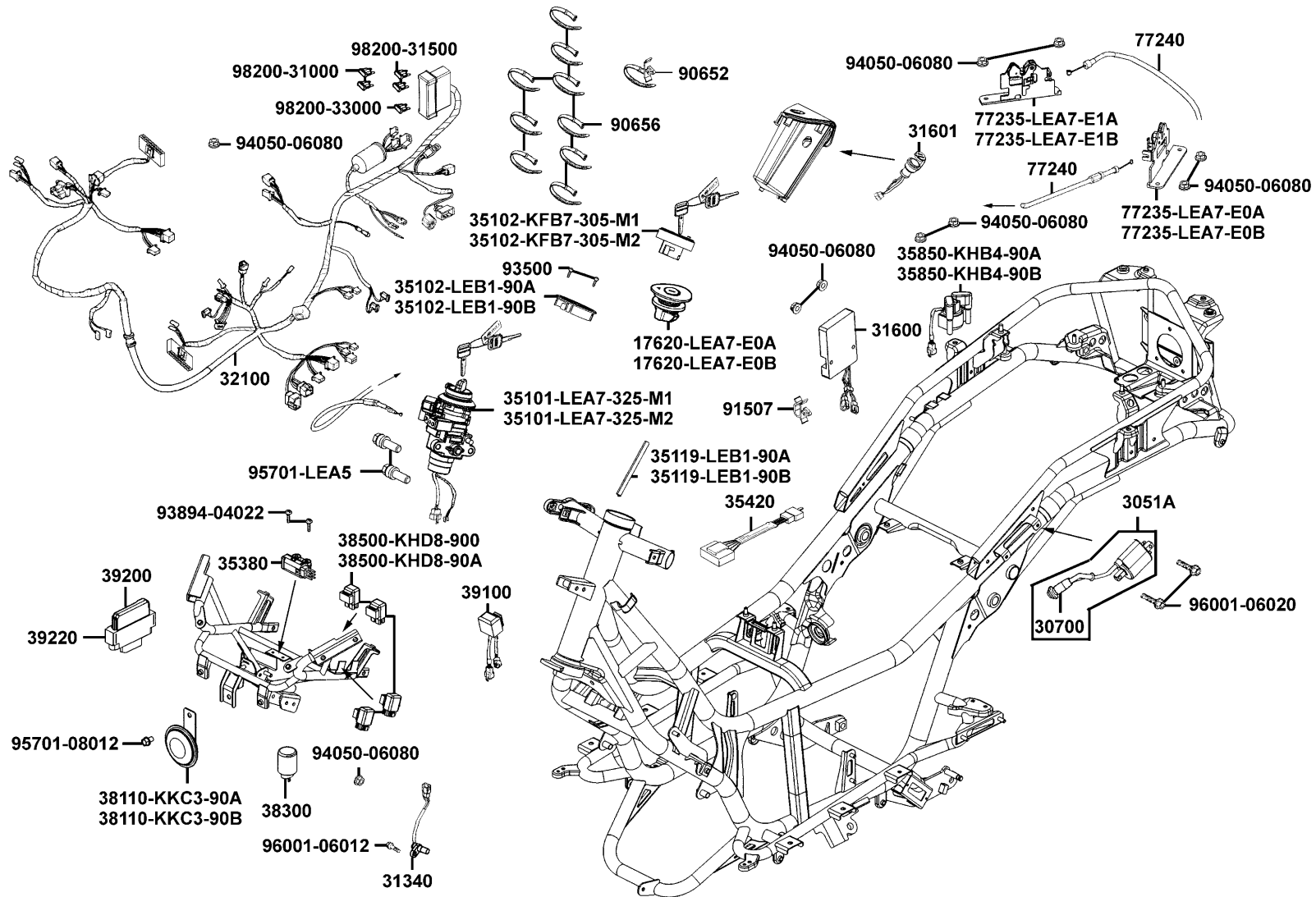
Sales mark	Ref no	Part no	Description	Reg description	Regd no	F17
	33701	33701-LEA7-E00	UNIT TAIL LIGHT	UNIT TAIL LIGHT	1	
	33706	33706-LEA7-E00	SOCKET COMP TAIL LIGHT	SOCKET COMP TAIL LIGHT	1	
	33708	33708-KHE7-E00	LENS LICENSE	LICENSE LENS	1	
	33709	33709-KHE7-E00	BASE LICENSE	BASE LICENSE	1	
	33720	33720-LBB5-E00	LIGHT ASSY LICENSE	LIGHT ASSY LICENSE	1	
	33726	33726-LBB5-E00	SOCKET COMP	SOCKET COMP	1	
	33741	33741-LEA7-E00	REFLEX,REFLECTOR	REFLEX,REFLECTOR	1	
	34903	34903-KPCP-900	BULB POSITION	BULB POSITION	1	
	34905	34905-LCA5-E00	BULB WINKER 12C5W	BULB POSITION 12V5W	2	
	34906	34906-KPCP-900	BULB TAIL & STOP 12V21W/5W	BULB TAIL & STOP	1	
**	80100	80100-LEA7-E00	FENDER, RR. TIRE	FENDER, RR. TIRE	1	
**	80101	80101-LEA7-E00	FENDER, RR. INNER	FENDER, RR. INNER	1	
	80102	80102-LEA7-E00	STAY,RR.TIRE FENDER	STAY,RR.TIRE FENDER	1	
	80103	80103-LEA7-E00	SPONGE TAPE,FENDER	SPONGE TAPE,FENDER	1	
**	80105	80105-LEA7-E00	FENDER,RR	FENDER,RR	1	
**	80106	80106-LEA7-E00	FENDER LOW, RR.	FENDER LOW, RR.	1	
**	80107	80107-LEA7-E00	COVER LICENSE LIGHT	COVER LICENSE LIGHT	1	
	83550	83550-KEC8-900	COLLAR	COLLAR	4	
	83551	83551-KEC8-900	GROMMET COVER	GROMMET COVER	4	
	90301	90301-6D34-671	NUT FLANGE 6MM	NUT FLANGE 6MM	2	



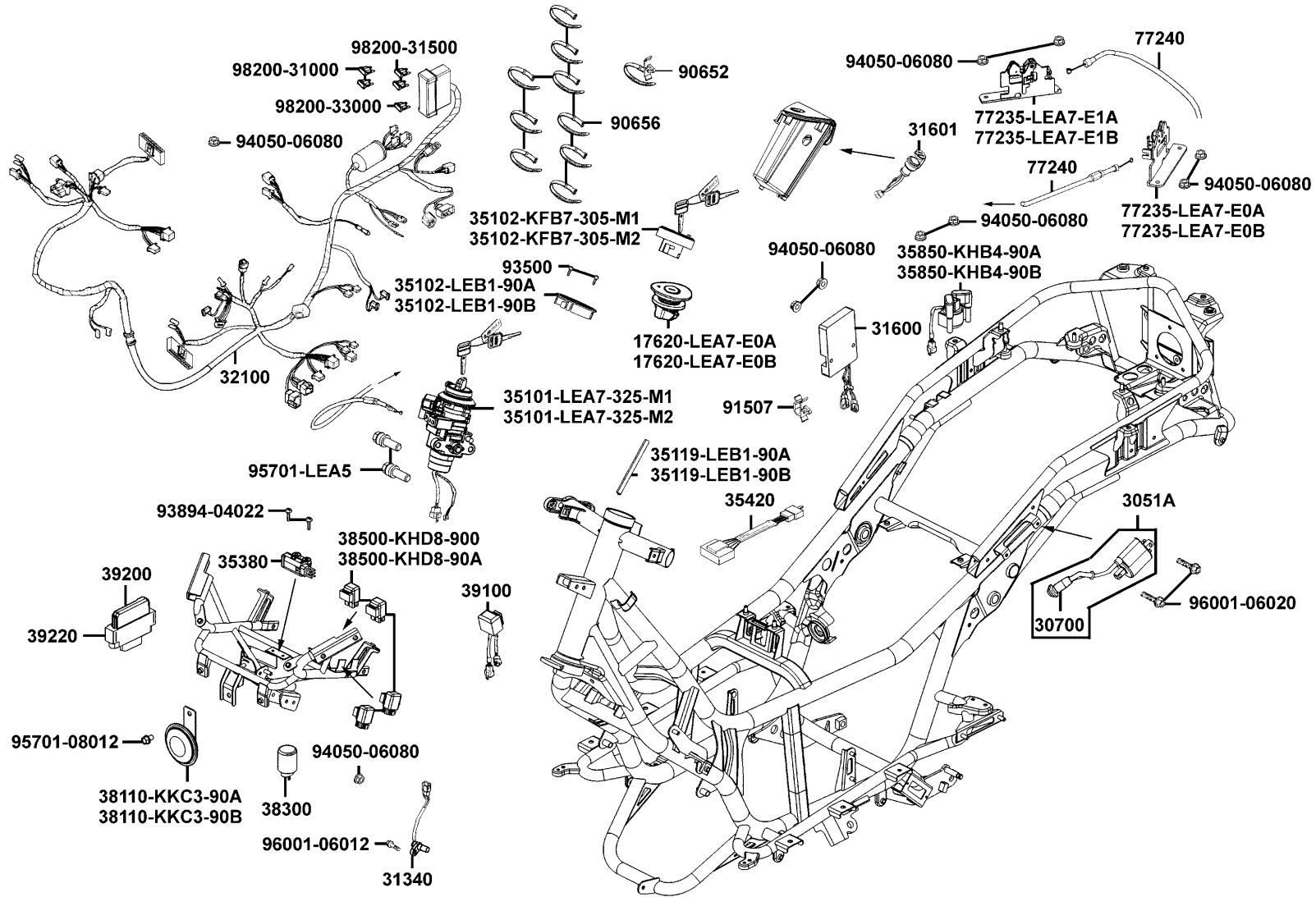
Sales mark	Ref no	Part no	Description	Reg description	Regd no	F17
	90302-GBR2	90302-GBR2-001	BOLT WASH 5*16	BOLT WASHER 5*16	2	
	90302-PWA5	90302-PWA5-900	BOLT-WASH 5*12	BOLT-WASH 5*12	4	
	90302-SDA4	90302-SDA4-004	NUT SPRING 4MM	NUT SPRING 4MM	2	
	90652	90652-LCA4-E00	CLIP MUDGUARD	CLIP MUDGUARD	1	
	93404	93404-06016-06	BOLT WASHER 6*16	BOLT WASHER 6*16	5	
	93903-34360	93903-34360	SCREW TAPPING 4*12	SCREW TAPPING 4*12	7	
	93903-35360	93903-35360	SCREW TAPPING 5*16	SCREW TAPPING 5*16	8	
	93903-GFY6	93903-GFY6-900	SCREW TAPPING 4*14	SCREW TAPPING 4*14	2	
	94050	94050-05080	NUT FLANGE 5MM	NUT FLANGE 5MM	1	



Sales mark	Ref no	Part no	Description	Reg description	Regd no	F18
	17620-LEA7-E0A	17620-LEA7-E0A	CAP COMP.,FUEL FILLER	CAP COMP.,FUEL FILLER	1	
	17620-LEA7-E0B	17620-LEA7-E0B	CAP COMP FUEL FILLER	CAP COMP FUEL FILLER	1	
	3051A	3051A-LDF2-900	COIL ASSY IGNITION	COIL ASSY IGNITION	1	
	30700	30700-KFC8-E0H	CAP ASSY NOISE SUPPR	CAP ASSY NOISE SUPPRESOR	1	
	31340	31340-LFH1-E00	SENSOR FR WHEEL SPEED	SENSOR FR WHEEL SPEED	1	
	31600	31600-KED9-900	REG REC COMP	REG REC COMP	1	
	31601	31601-LEA7-E00	SOCKET COMP DC 12V	SOCKET COMP DC 12V	1	
	32100	32100-LEA7-E00	HARNESS WIRE	HARNESS WIRE	1	
	35101-LEA7-325-M1	35101-LEA7-325-M1	KEY SET LOCK & COMB	KEY SET LOCK & COMB	1	
	35101-LEA7-325-M2	35101-LEA7-325-M2	KEY SET LOCK & COMB	KEY SET LOCK & COMB	1	
	35102-KFB7-305-M1	35102-KFB7-305-M1	SHUTTER MAGNETIC LOCK SET	SHUTTER MAGNETIC LOCK SET	1	
	35102-KFB7-305-M2	35102-KFB7-305-M2	SHUTTER MAGNETIC LOCK SET	SHUTTER MAGNETIC LOCK SET	1	
	35102-LEB1-90A	35102-LEB1-90A	COLLAR MAIN SW	COLLAR MAIN SW	1	
	35102-LEB1-90B	35102-LEB1-90B	COLLAR MAIN SW	COLLAR MAIN SW	1	
	35119-LEB1-90A	35119-LEB1-90A	COVER SEAT CABLE	COVER SEAT CABLE	1	
	35119-LEB1-90B	35119-LEB1-90B	COVER SEAT CABLE	COVER SEAT CABLE	1	
	35380	35380-LDF2-900	SENSOR ANGLE DETECT	SENSOR ANGLE DETECT	1	
	35420	35420-LFH1-E00	CONTROLLER OIL LAMP	CONTROLLER OIL LAMP	1	
	35850-KHB4-90A	35850-KHB4-90A	SET START MAG	SET START MAG	1	
	35850-KHB4-90B	35850-KHB4-90B	SET START MAG	SET START MAG	1	



Sales mark	Ref no	Part no	Description	Reg description	Regd no	F18
	38110-KKC3-90A	38110-KKC3-90A	HORN COMP	HORN COMP	1	
	38110-KKC3-90B	38110-KKC3-90B	HORN COMP	HORN COMP	1	
	38300	38300-LEA7-E0A	RELAY COMP.,WINKER	RELAY COMP.,WINKER	1	
	38500-KHD8-900	38500-KHD8-900	RELAY ASSY LIGHT	RELAY ASSY LIGHT	4	
	38500-KHD8-90A	38500-KHD8-90A	RELAY ASSY LIGHT	RELAY ASSY LIGHT	1	
	39100	39100-LEA7-E00	EMI FILTER,FAN MOTOT	EMI FILTER,FAN MOTOT	1	
	39200	39200-LEA7-E00	ECU ASSY	ECU ASSY	1	
	39220	39220-LDF2-900	CUSHION CASE ECU	CUSHION CASE ECU	1	
	77235-LEA7-E0A	77235-LEA7-E0A	SEAT CATCH	SEAT CATCH	1	
	77235-LEA7-E0B	77235-LEA7-E0B	SEAT CATCH	SEAT CATCH	1	
	77235-LEA7-E1A	77235-LEA7-E1A	SEAT CATCH	SEAT CATCH	1	
	77235-LEA7-E1B	77235-LEA7-E1B	SEAT CATCH	SEAT CATCH	1	
	77240	77240-LEA7-E00	CABLE,SEAT LOCK	CABLE,SEAT LOCK	1	
	90652	90652-LGL7-E00	CLIP,8X120	CLIP,8X120	1	
	90656	90656-KCBC-900	BAND OIL HOSE	BAND OIL HANDLE	9	
	91507	91507-LEA7-E00	CLIP	CLIP	1	
	93500	93500-KHC4-90A	SCREW PAN 5*10	SCREW PAN 5*10	2	
	93894	93894-04022-08	SCREW PLAIN WASHER 4*22	SCREW WASHER 4*22	2	
	94050	94050-06080	NUT FLANGE 6MM	NUT FLANGE 6MM	10	
	95701-08012	95701-08012-08	BOLT FLANGE 8*12	BOLT FLANGE 8*12	1	

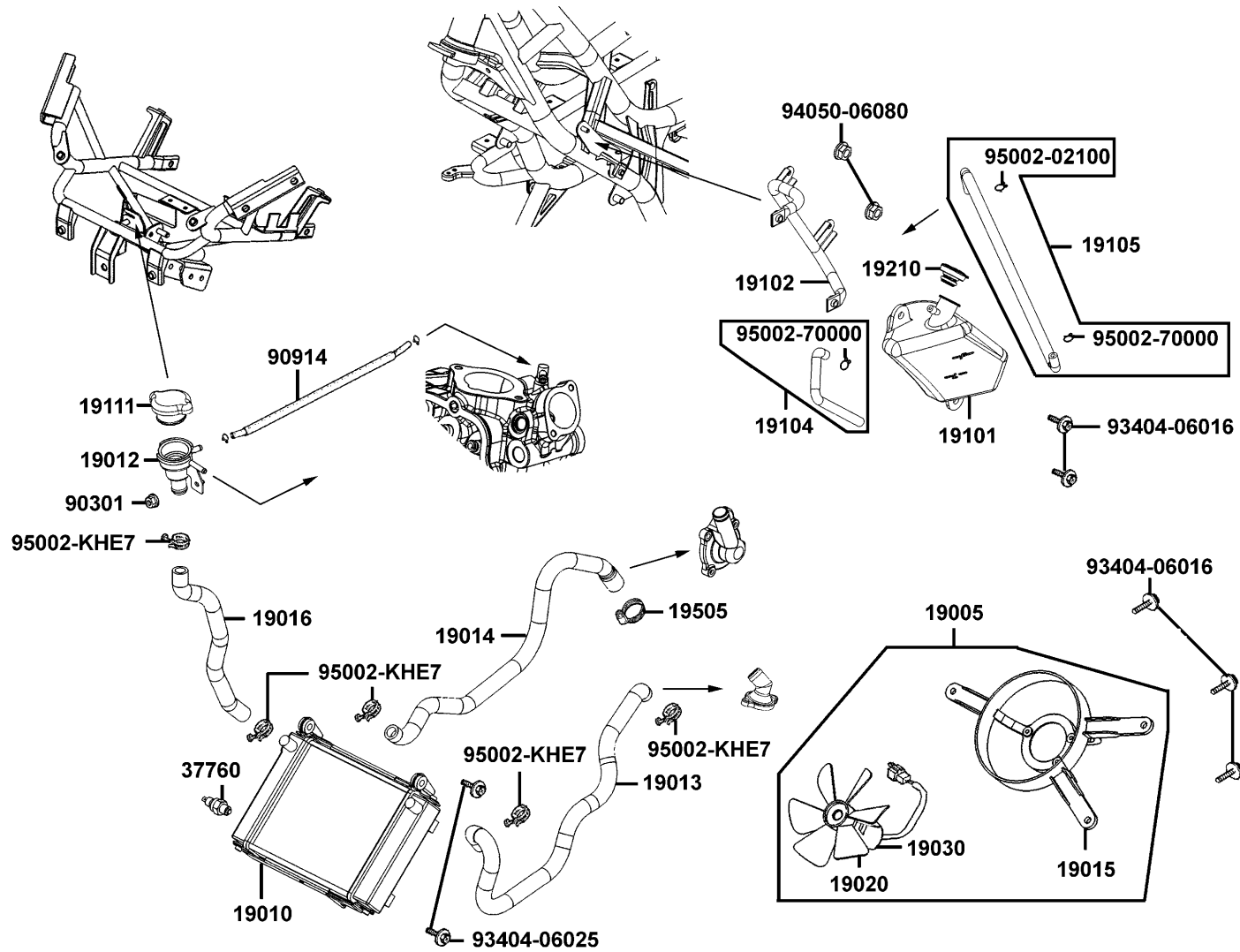


Sales mark	Ref no	Part no	Description	Reg description	Regd no	F18
	95701-LEA5	95701-LEA5-E00	BOLT TORQUE 8*25	BOLT TORQUE 8*25	2	
	96001-06012	96001-06012-06	BOLT FLANGE SH 6*12	BOLT FLANGE SH 6*12	1	
	96001-06020	96001-06020-08	BOLT FLANGE SH 6*20	BOLT FLANGE SH 6*20	2	
	98200-31000	98200-31000	BLADE FUSE 10A	BLADE FUSE 10A	2	
	98200-31500	98200-31500	BLADE FUSE 15A	BLADE FUSE 15A	2	
	98200-33000	98200-33000	BLADE FUSE 30A	BLADE FUSE 30A	1	

Sales mark	Ref no	Part no	Description	Reg description	Regd no	F19
	17511	17511-LEA7-E00	STAY R,FUEL TANK	STAY R,FUEL TANK	1	
	17512	17512-LEA7-E00	STAY L,FUEL TANK	STAY L,FUEL TANK	1	
	39209	39209-LEA7-E00	STAY,ECU	STAY,ECU	1	
	50100	50100-LEA7-E00	BODY COMP.,FRAME	BODY COMP.,FRAME	1	
	50179	50179-LEA7-E00	STAY,RR FENDER UP	STAY,RR FENDER UP	1	
	50187	50187-LEA7-E00	STAY R,RR STEP	STAY R,RR STEP	1	
	50188	50188-LEA7-E00	STAY L,RR STEP	STAY L,RR STEP	1	
	50190	50190-LEA7-E00	PROTECTOR,UNDER COVER	PROTECTOR,UNDER COVER	1	
	50350	50350-LEA7-E00	HANGER ASSY, ENG	HANGER ASSY, ENG	1	
	50353-KGN7	50353-KGN7-901	BUSH A ENG HANGER	BUSH A ENG HANGER	2	
	50353-LEA7	50353-LEA7-E00	RUBBER STOPPER	RUBBER STOPPER	1	
	50356-LEA7-E00	50356-LEA7-E00	RUB BUSH, ENG HANGER	RUB BUSH, ENG HANGER	2	
	50356-LEA7-E01	50356-LEA7-E01	RUB BUSH, ENG HANGER	RUB BUSH, ENG HANGER	1	
	50360	50360-LEA7-E00	TIE ROD ASSY, ENG	TIE ROD ASSY, ENG	1	
	50364	50364-KEBE-900	COLLAR B ENG HANGER	COLLAR B ENG HANGER	1	
**	50613	50613-LEA7-E00	COVER,UNDER	COVER,UNDER	1	
	64315	64315-LEA7-E00	BRKT,FR COVER	BRKT,FR COVER	1	
	90106	90106-LEA7-E00	BOLT FLANGE 15x118(M14)	BOLT FLANGE 15x118(M14)	2	
	90117	90117-KED9-900	BOLT FLANGE 10*265	BOLT FLANGE 10*265	1	
	90302	90302-SDA4-004	NUT SPRING 4MM	NUT SPRING 4MM	2	

Sales mark	Ref no	Part no	Description	Reg description	Regd no	F19
	90304-GHE8	90304-GHE8-004	NUT U 10MM	NUT U 10MM	1	
	90304-LBD4	90304-LBD4-900	NUT U FLANGE 10MM	NUT U FLANGE 10MM	1	
	90305	90305-LBD4-900	NUT U 14MM	NUT U 14MM	2	
	93404	93404-06016-06	BOLT WASHER 6*16	BOLT WASHER 6*16	4	
	94050	94050-06080	NUT FLANGE 6MM	NUT FLANGE 6MM	10	
	94101	94101-LBA2-E00	WASHER PLATE 10.5*38*3.0	WASHER PLATE 10.5*38*3.0	1	
	94102	94102-LBA2-E00	WASHER PLAIN 38*12.5*3	WASHER PLAIN 38*12.5*3	1	
	95701-06012	95701-06012-08	BOLT FLANGE 6*12	BOLT FLANGE 6*12	5	
	95701-06016	95701-06016-06	BOLT FLANGE 6*16	BOLT FLANGE 6*16	2	
	95701-06045	95701-06045-08	BOLT FLANGE 6*45	BOLT FLANGE 6*45	2	

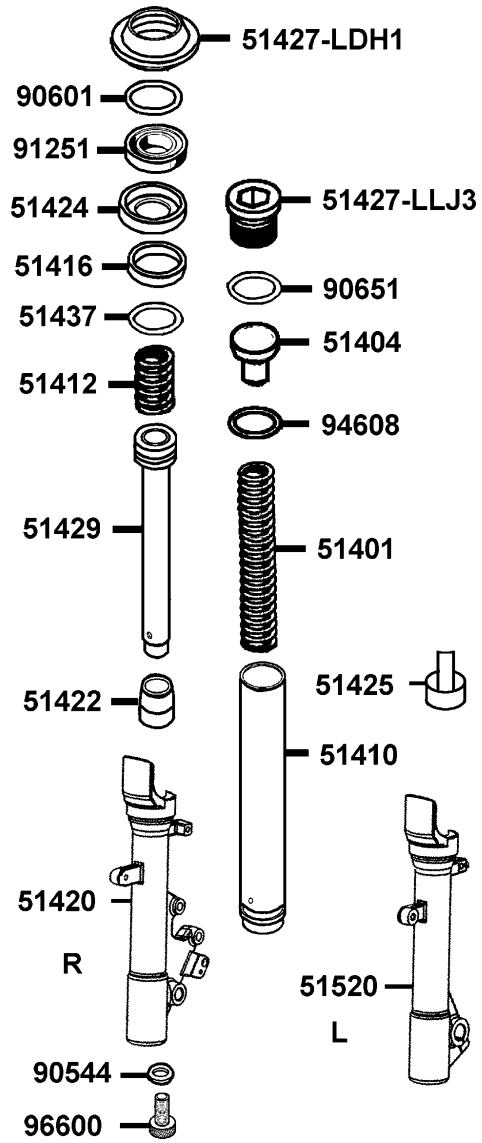
Sales mark	Ref no	Part no	Description	Reg description	Regd no	F20
19005		19005-KKC4-900	SHROUD ASSY	SHROUD ASSY	1	
19010		19010-LFA7-E00	RADIATOR COMP	RADIATOR COMP	1	
19012		19012-KHD8-900	UNIT RADIATOR	UNIT RADIATOR	1	
19013		19013-LEA7-E00	HOSE,WATER INLET	HOSE,WATER INLET	1	
19014		19014-LEA7-E00	HOSE,WATER OUTLET	HOSE,WATER OUTLET	1	
19015		19015-LEA5-E00	SHROUD COMP	SHROUD COMP	1	
19016		19016-LEA7-E00	HOSE,WATER-UNIT CAP	HOSE,WATER-UNIT CAP	1	
19020		19020-KED9-900	FAN COOLING	FAN COOLING	0	
19030		19030-KHD8-900	MOTOR ASSY FAN	MOTOR ASSY FAN	0	
19101		19101-LEA7-E00	TANK , RESERVE	TANK , RESERVE	0	
19102		19102-LEA7-E00	STAY,TANK REVERSE	STAY,TANK REVERSE	1	
19104		19104-LBA2-E00	HOSE ASSY DRAIN	HOSE ASSY DRAIN	0	
19105		19105-LEA7-E00	HOSE ASSY,RESERVE	HOSE ASSY,RESERVE	0	
19111		19111-GBE2-004	CAP COMP	CAP COMP	1	
19210		19210-KKC4-900	CAP RESERVE TANK	CAP RESERVE TANK	1	
19505		19505-LBA2-E00	CLAMP WATER HOSE	CLAMP WATER HOSE	1	
37760		37760-KHD8-900	SW ASSY THERMO	SW ASSY THERMO	1	
90301		90301-6D34-671	NUT FLANGE 6MM	NUT FLANGE 6MM	1	
90914		90914-LEA7-E00	TUBE ASSY,WATER	TUBE ASSY,WATER	1	
93404-06016		93404-06016-06	BOLT WASHER 6*16	BOLT WASHER 6*16	5	



Sales mark	Ref no	Part no	Description	Reg description	Regd no	F20
#	93404-06025	93404-06025-06	BOLT WASHER 6*25	BOLT WASHER 6*25	2	
	94050	94050-06080	NUT FLANGE 6MM	NUT FLANGE 6MM	2	
	95002-02100	95002-02100	CLIP B15 TUBE	CLIP B10 TUBE	1	
	95002-70000	95002-70000	CLIP C11 TUBE	CLIP C11 TUBE	2	
	95002-KHE7	95002-KHE7-900	CLIP WATER HOSE	CLIP WATER HOSE	5	

F21

Separated Parts Of Fr Fork



Sales mark	Ref no	Part no	Description	Reg description	Regd no	F21
	51401	51401-LDH1-E00	SPRING	SPRING	1	
	51404	51404-LDH1-E00	SPRING COLLAR	SPRING COLLAR	1	
	51410	51410-LEA7-E00	FORK PIPE COMP	FORK PIPE COMP	1	
	51412	51412-LLJ3-E00	REBOUND SPRING	REBOUND SPRING	1	
	51416	51416-LDH1-E00	GUIDE BUSH	GUIDE BUSH	1	
**	51420	51420-LEA7-E00	BOTTOM CASE R	BOTTOM CASE R	1	
	51422	51422-KED9-900	OIL LOCK PIECE	OIL LOCK PIECE	1	
	51424	51424-LDH1-E00	SPACER	SPACER	1	
	51425	51425-LEA7-E00	FORK FENDER	FORK FENDER	1	
	51427-LDH1	51427-LDH1-E00	DUST SEAL	DUST SEAL	1	
	51427-LLJ3	51427-LLJ3-E00	FORK BOLT CAP	FORK BOLT CAP	1	
	51429	51429-LEA7-E00	PIPE SEAT COMP	PIPE SEAT COMP	1	
	51437	51437-LDH1-E00	PISTON RING	PISTON RING	1	
**	51520	51520-LEA7-E00	BOTTOM CASE L	BOTTOM CASE L	1	
	90544	90544-KEC8-900	PACKING	PACKING	1	
	90601	90601-LLJ3-E00	OIL SEAL STOPPER RING	RING OIL SEAL STOPPER	1	
	90651	90651-LLJ3-E00	STOPPER RING	STOPPER RING	1	
	91251	91251-LLJ3-E00	OIL SEAL	OIL SEAL	1	
	94608	94608-LLJ3-E00	O-RING	O-RING	1	
	96600	96600-LBA2-E00	BOCKET BOLT	BOCKET BOLT	1	

• Be sure to wear a safety helmet when riding.
 • Do not exceed the speed specified by law when riding.
 • The exhaust muffler temperature is very high after riding. Be sure to park the motorcycle in a place not easily touched by people.
 • For riding safety and good performance, do not violate the law to modify the motorcycle.
 • Please read the User's Manual carefully to secure driving safety.

• Make sure to perform the periodic maintenance and pre-ride inspection.
 Pre-ride Inspection Items
 Brake Performance, tires, engine oil level, lights, horn, and instrument panel.
 KWANG YANG MOTOR CO., LTD.
 87560-LEA7-E00

87560

CAUTIONS
 Never put any article between the rear side cover and the engine to avoid interference of riding.
 GM9-300

87542

CAUTIONS
 Before starting the engine, the side stand shall be kicked up to secure safety.

87541-GAR1

CAUTIONS
 TIRE SIZE :FRONT 120/80-14 REAR 150/70-13
 (ONE RIDER) :FRONT 2.0 kgf/cm² REAR 2.25kgf/cm²
 (TWO RIDER) :FRONT 2.0 kgf/cm² REAR 2.25kgf/cm²
 LOAD CAPACITY :SHIELD 1.5Kg CLIP ASSY CENTER 3Kg
 (AS PER KYMCO STANDARD SPECIFICATION)
 (NOTE:THE TIRE PRESSURE MUST NOT OVER PASS 2.50kgf/cm²)
 CHECK THE MOTOR OIL LEVEL WITH THE DIPSTICK AFTER REFILLING MOTOR OIL.
 87505-LEA7-E01

87505

CAUTIONS
 Every 5000 km run should exchange the filter.
 KKE-E00

87512

CAUTION
 Mobile phone charge only, Use other appliance may cause damage.
 KKC2-E000

87541-KKC2

Sales mark	Ref no	Part no	Description	Reg description	Regd no	F22
**	87505	87505-LEA7-E01	LABEL TIRE	LABEL TIRE	1	
**	87512	87512-KEBE-E00	CAUTION FILTER	CAUTION FILTER	0	
**	87541-GAR1	87541-GAR1-E00	CAUTION SIDE STAND	CAUTION SIDE STAND	0	
**	87541-KKC2	87541-KKC2-E00	CAUTION MOBILE PHONE	CAUTION MOBILE PHONE	0	
**	87542	87542-GAR1-E00	MARK MAINT CAUTION	MARK MAINT CAUTION	0	
**	87560	87560-LEA7-E00	MARK DRIVE CAUTION	MARK DRIVE CAUTION	1	



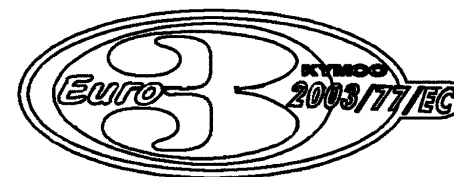
86202



87140



86102



87311

Sales mark	Ref no	Part no	Description	Reg description	Regd no	F23
**	86102	86102-LEA5-E00	EMB K-LOGO 28MM	EMB K-LOGO 28MM	0	
**	86202	86202-LFA7-E60	EMB BODY COVER	EMB BODY COVER	1	
**	87140	87140-LEA7-E60	EMB MARK 300i	EMB MARK 300i	1	

PART NO. INDEX

PART NO.	VERSION	PAGE	PART NO.	VERSION	PAGE	PART NO.	VERSION	PAGE								
0000			11203-LBA2-E00	2	F16	13011-LEA7-E00	1	E03								
			1121A-LEA7-E00	1	F13	13101-LEA7-E00	4	E03								
			1122A-LEA7-E00	0	E01	13111-LEA7-E00	1	E03								
			0901-880-6000	0	E05	11330-LEA7-E00	7	E04	13314-LEA7-E0A	3	E01					
			0901-911-6000	0	E05	11340-LEA7-E00	0	E01	13314-LEA7-E0B	3	E01					
			1000			11343-LEA7-E00	0	E01	13314-LEA7-E0C	3	E01					
						11345-LEA7-E00	0	E01	13406-LEA7-E00	0	E02					
						11346-GFY6-901	0	E01	14000							
						1190-0017-0000	0	E05		11347-LEA7-E00	2	E06				
						1190-C74-2000	0	E05		1134A-LEA7-E00	1	E01				
1614-868-0000	0	E05				11394-LEA7-E00	3	E04		14100-LEA7-E00	1	E02				
1614-906-0002	0	E05				11395-LEA7-E00	0	E01		14321-LEA7-E00	2	E02				
3000						12000				14401-PWB1-900	2	E03				
							3700-A35B-0100	0		E05	12100-LEA7-E00	3	E03	14420-LEA7-E00	1	E02
							4000				12191-LEA7-E00	1	E03	14430-LEA7-E00	1	E02
			12200-LEA7-E00	4	E02						14452-LEA7-E00	2	E02			
			12209-GDB4-68A	0	E02						14453-LEA7-E00	2	E02			
			4115-803-1100-3	0	E05				14510-LEA7-E00		1	E03				
			11000						12251-LEA7-E00		1	E02	14520-KED9-900	0	E03	
									12310-LEA7-E00		1	E02	14523-GFY6-901	0	E03	
									12391-LEA7-E00		2	E02	14531-KHE7-900	0	E03	
									11103-KHE7-900		0	E01	14610-LEA7-E00	0	E03	
1110A-LEA7-E00	8	E01				14711-LEA7-E00			2		E02					
13000									11203-LBA2-E00		2	E01	14721-LEA7-E00	1	E02	
							13000-LEA7-E00	4	E03	14751-LEA7-E00	0	E02				
										14761-LEA7-E00	0	E02				

PART NO. INDEX

PART NO.	VERSION	PAGE	PART NO.	VERSION	PAGE	PART NO.	VERSION	PAGE	
14771-GDB4-680	2	E02	17000			18292-KEBE-900	0	F14	
14777-LBA2-E00	2	E02				18293-KEBE-900	0	F14	
14781-MFA6-001	0	E02				18293-KKC4-900	0	E01	
15000				1711A-LEA7-E00	0	E02	18294-KEBE-900	0	F14
				17211-LEA7-E00	0	F13	18294-LDB2-900	0	F14
				1723A-LEA7-E00	0	F13	18306-LEA7-E00	1	F14
15100-LEA7-E00	2	E07		1723B-LEA7-E00	0	F13	1830A-LEA7-E00	2	F14
15133-LEA7-E00	0	E07		17254-KACA-P00	0	F13	18310-LEA7-E00	2	F14
15141-LEA7-E00	1	E07		1737A-KUDU-900	0	F13	18318-LEA7-E00	1	F14
15161-PUA5-E00	4	E01		17500-LEA7-E00	0	F10	18320-LEA7-E00	2	F14
15200-KED9-900	7	E01		17511-LEA7-E00	0	F19	18325-LEA7-E00	0	F14
1541A-LEA7-E00	2	E04		17512-LEA7-E00	0	F19	18371-LEA7-E00	0	F14
15421-LEA7-E00	0	E01		17530-KGB5-900	1	F05	18391-LEA7-E00	1	F14
15423-KKC3-900	1	E04	17550-LEA7-800	0	F10	19000			
15437-LEA7-E00	0	E04	17620-LEA7-E0A	0	F18				
1565A-GFY6-900	0	E04	17620-LEA7-E0B	0	F18				
15711-LEA7-E00	0	E07	17685-KZCZ-900	0	F05		19005-KKC4-900	2	F20
16000			17685-LEA7-E00	2	F10		19010-LFA7-E00	0	F20
			17910-LEA7-E00	2	F03		19012-KHD8-900	4	F20
			17911-LEA7-E00	2	F03		19013-LEA7-E00	2	F20
							19014-LEA7-E00	3	E04
1610K-LEA7-E00	0	E05	18000				19014-LEA7-E00	3	F20
16201-LEA7-E00	0	E02					19015-LEA5-E00	1	F20
16211-LEA7-E00	0	E02				19016-LEA7-E00	2	F20	
				18291-KEBE-900	0	F14	19020-KED9-900	1	F20
				18291-KKC4-900	0	E01	19030-KHD8-900	2	F20
			18291-PWB1-900	1	F14				

PART NO. INDEX

PART NO.	VERSION	PAGE	PART NO.	VERSION	PAGE	PART NO.	VERSION	PAGE
19101-LEA7-E00	1	F20				23237-KHE7-900	0	E06
19102-LEA7-E00	1	F20	22000			23238-KHE7-900	0	E06
19104-LBA2-E00	1	F20				23411-LEA7-E00	5	E08
19105-LEA7-E00	1	F20	22100-LEA7-E00	1	E06	23420-LEA7-E00	3	E08
19111-GBE2-004	1	F20	22102-LEA7-E00	0	E06	23431-LEA7-E00	2	E08
19210-KKC4-900	0	F20	22105-LEA7-E00	0	E06	23432-LEA7-E00	1	E08
19215-LEA7-E00	0	E04	22110-LEA7-E00	2	E06			
19217-6G57-024	0	E04	22121-LEA7-E00	1	E06	28000		
19221-LEA7-E00	0	E04	22131-LEA7-E00	2	E06			
19229-LEA7-E00	1	E04	22132-PWB1-900	4	E06	28102-LEA7-E00	1	E07
19231-LEA7-E00	1	E04	22300-LEA7-E00	1	E06	28110-LEA7-E00	1	E07
19232-LBA2-E00	2	E04	22350-KHE7-900	0	E06	28120-LDB2-E00	0	E07
19300-KAE1-004	1	E02	22361-LEA7-E00	0	E06	28130-LEA7-E00	2	E07
19315-LFA7-E00	1	E02	22401-KHE7-900	1	E06			
19502-LEA7-E00	1	E04	22530-LEA7-E00	0	E06	30000		
19504-LBA2-E00	3	F10	22804-GBB2-001	0	E06			
19505-LBA2-E00	4	E04				3051A-LDF2-900	4	F18
19505-LBA2-E00	4	F20	23000			30700-KFC8-E0H	1	F18
19613-LEA7-E00	0	E01						
21000			2301A-LEA7-E00	2	E06	31000		
			23100-LEA7-E00	1	E06			
			23200-LEA7-E00	1	E06	31110-LEA7-E0B	1	E07
21301-LEA7-E00	1	E08	23220-LEA7-E00	2	E06	31120-LEA7-E0B	4	E07
21395-LEA7-E00	1	E08	23225-KHE7-900	0	E06	31210-LEA7-E00	1	E07
			23226-GHC8-004	0	E06	31340-LFH1-E00	1	F18
			23233-LEA7-E00	0	E06	31500-LEA6-900	2	F11

PART NO. INDEX

PART NO.	VERSION	PAGE	PART NO.	VERSION	PAGE	PART NO.	VERSION	PAGE
31600-KED9-900	4	F18				35420-LFH1-E00	1	F18
31601-LEA7-E00	0	F18	34000			35500-KED9-900	5	E01
32000			34901-KGB5-M30	0	F01	35850-KHB4-90A	0	F18
			34903-KPCP-900	0	F17	35850-KHB4-90B	1	F18
32100-LEA7-E00	1	F18	34905-LCA5-E00	0	F17	37000		
32101-LEA7-E00	0	E02	34905-LEA7-E00	0	F01			
32105-LLJ3-E00	2	E01	34906-KPCP-900	0	F17	37200-LEA7-E00	0	F02
32410-LEA7-E00	1	E07	34909-KKE5-E00	0	F12	37211-KKE5-E00	0	F02
32411-LEA7-E00	2	F11	35000			37216-LEA7-E00	0	F03
32412-LEA7-E00	1	E04				37720-KGB5-900	0	E02
33000			35101-LEA7-325-M1	0	F18	37750-PAC1-005	0	E02
			35101-LEA7-325-M2	0	F18	37760-KHD8-900	0	F20
33110-LEA7-E00	0	F01	35102-KFB7-305-M1	0	F18	38000		
33120-LEA7-E00	0	F01	35102-KFB7-305-M2	0	F18			
33130-LEA7-E00	0	F01	35102-LEB1-90A	0	F18	38110-KKC3-90A	1	F18
33180-LEA7-E00	0	F01	35102-LEB1-90B	0	F18	38110-KKC3-90B	1	F18
33701-LEA7-E00	0	F17	35119-LEB1-90A	0	F18	38300-LEA7-E0A	0	F18
33706-LEA7-E00	0	F17	35119-LEB1-90B	0	F18	38500-KHD8-900	0	F18
33708-KHE7-E00	0	F17	3515A-LEA7-E00	0	F03	38500-KHD8-90A	0	F18
33709-KHE7-E00	0	F17	3520A-KEBE-900	2	F03	39000		
33720-LBB5-E00	2	F17	35340-KNBN-901	0	F04			
33726-LBB5-E00	1	F17	35350-KNBN-901	0	F04			
33741-LEA7-E00	0	F17	35370-LLJ3-E00	2	F15	39100-LEA7-E00	1	F18
33900-KKE5-E00	0	F12	35380-LDF2-900	2	F18	39200-LEA7-E00	0	E02

PART NO. INDEX

PART NO.	VERSION	PAGE	PART NO.	VERSION	PAGE	PART NO.	VERSION	PAGE
39200-LEA7-E00	0	F18	43353-KED9-900	0	F07	45134-KED9-900	0	F07
39209-LEA7-E00	2	F19	43530-LEA7-305	0	F04	45135-KED9-900	0	F07
39220-LDF2-900	1	F18				45200-LEA7-E00	2	F07
39301-LDF2-900	2	E02	44000			45209-GBE2-007	0	F08
39400-LDF2-800	2	E02				45210-LEA7-E00	0	F07
39450-LDF2-800	2	F14	44301-LEA7-E00	0	F07	45210-LEA7-E00	0	F08
42000			44312-LEA7-E00	0	F07	45352-LEA7-E00	2	F07
			44600-LEA7-305	0	F07	45513-KKA8-900	0	F04
			44620-LEA7-E00	0	F07	45517-LBA2-E00	1	F04
42311-LEA7-E00	0	F08	44710-LEA7-E0A	0	F07	45520-KKA8-900	0	F04
42312-LEA7-E00	0	F08				45530-LBA2-308	0	F04
42601-LEA7-E00	2	F08	45000			45531-GAR1-951	0	F08
42710-LEA7-E0A	0	F08				50000		
42753-KNBN-90B	1	F07	45105-LEA7-305	0	F07			
42753-KNBN-90B	1	F08	45107-KED9-900	0	F07			
43000			45108-LDH1-E00	0	F08	50100-LEA7-E00	2	F19
			45108-LEA7-E00	0	F07	50179-LEA7-E00	1	F19
			45109-GBE2-007	0	F08	50187-LEA7-E00	1	F19
43100-LEA7-E00	2	F08	45109-KED9-900	0	F07	50188-LEA7-E00	1	F19
43105-LEA7-305	0	F08	45126-LEA7-E00	1	F04	50190-LEA7-E00	1	F19
43126-LEA7-E00	0	F04	45128-LBA2-920	1	F06	50306-1F96-001	0	F06
43156-LEA7-E00	0	F16	45129-LBA2-900	1	F06	5032A-LEA5-E00	2	F11
43351-LEA7-E00	4	F08	4512A-LEA7-E00	3	F07	5032A-LEA7-E00	0	F11
43352-KED9-900	0	F07	45130-KED9-900	0	F07	50350-LEA7-E00	3	F19
43352-KKD6-E90	1	F08	45131-LDH1-E00	0	F08	50353-KGN7-901	0	F19
43353-4A61-77A	0	F08	45132-KED9-900	0	F07	50353-LEA7-E00	0	F19

PART NO. INDEX

PART NO.	VERSION	PAGE	PART NO.	VERSION	PAGE	PART NO.	VERSION	PAGE
50356-LEA7-E00	0	F19	51427-LLJ3-E00	0	F21	53206-LEA7-E00	2	F03
50356-LEA7-E01	1	F19	51429-LEA7-E00	0	F21	53207-LEA7-E00	0	F03
50360-LEA7-E00	3	F19	51430-LDH1-E00	0	F08	53213-LBA2-E00	2	F06
50364-KEBE-900	1	F19	51437-LDH1-E00	0	F21	53214-LBA2-E00	2	F06
50500-LEA7-E00	1	F15	51500-LEA7-E00	3	F06	53220-LBA2-E00	2	F06
50502-LDF7-E10	0	F15	51520-LEA7-E00	0	F21	53240-LBA2-E00	2	F06
50504-LEA7-E00	0	E01				53250-LBA2-E00	2	F06
50505-KXCX-900	0	F15	52000					
50505-LAD9-900	2	F15				61000		
50530-LEA7-E00	1	F15	52000-LEA7-E00	3	F16			
50550-KKC2-E00	0	F15	52400-LEA7-E00	1	F16	61100-LEA7-E00	3	F06
50613-LEA7-E00	1	F19				61101-LEA7-E00	1	F05
51000			53000			64000		
			53100-LEA7-E00	3	F03			
51400-LEA7-E00	3	F06	53105-LEA5-E00	3	F03	64206-MLJ0-001	1	F12
51401-LDH1-E00	0	F21	53106-LEA7-E00	0	F03	64220-LEA7-E00	0	F03
51404-LDH1-E00	0	F21	53125-LEA7-E00	0	F03	64220-LEA7-E00	2	F03
51410-LEA7-E00	0	F21	53140-LEA7-E00	0	F03	64221-LEA7-E00	0	F03
51412-LLJ3-E00	0	F21	53150-LEA6-900	3	F03	64222-LEA7-E00	0	F03
51416-LDH1-E00	0	F21	53175-KKE5-E00	0	F04	64222-LLJ3-E00	1	F06
51420-LEA7-E00	0	F21	53178-KKE5-E00	0	F04	64223-LEA7-E00	2	F03
51422-KED9-900	0	F21	53200-LEA7-E00	2	F06	64224-LEA7-E00	0	F03
51424-LDH1-E00	0	F21	53203-LEA7-E00	2	F03	64225-LEA7-E00	1	F03
51425-LEA7-E00	0	F21	53204-LEA7-E00	2	F03	64226-LEA7-E00	1	F03
51427-LDH1-E00	0	F21	53205-LEA7-E00	2	F03	64301-LEA7-E00	2	F05

PART NO. INDEX

PART NO.	VERSION	PAGE	PART NO.	VERSION	PAGE	PART NO.	VERSION	PAGE
64303-LEA7-E00	0	F05	77235-LEA7-E1A	0	F18	81134-LEA7-E00	1	F05
64304-LEA7-E00	0	F05	77235-LEA7-E1B	0	F18	81136-LEA7-E00	1	F05
64305-LEA7-E00	2	F05	77240-LEA7-E00	1	F18	8113A-LEA7-E00	0	F05
64306-LEA7-E00	2	F05	77300-LEA7-E00	0	F09	81141-LEA7-E00	2	F05
64307-LEA7-E00	4	F05	77303-LLJ3-E00	2	F09	81150-LEA7-E00	4	F05
64310-LEA7-E00	3	F05	77500-LEA7-E00	0	F09	81200-LEA7-E00	6	F12
64311-LEA7-E00	1	F05	77501-LBA2-E00	1	F09	81210-LEA7-E00	2	F12
64312-LEA7-E00	2	F05				81220-LEA7-E00	2	F12
64313-LEA7-E00	2	F05	80000			81251-LEA7-E00	0	F12
64315-LEA7-E00	2	F19				81252-KKE5-E00	1	F12
64317-LEA7-E00	0	F05	80100-LEA7-E00	2	F17	81260-LEA7-E00	0	F12
64320-LEA7-E00	0	F05	80101-LEA7-E00	2	F17			
64330-LEA7-E00	3	F05	80102-LEA7-E00	1	F17	83000		
64340-LEA7-E00	0	F05	80103-LEA7-E00	0	F17			
64350-LEA7-E00	0	F05	80104-LBA2-E00	1	F12	83500-LEA7-E00	0	F12
64360-LEA7-E00	0	F05	80105-LEA7-E00	1	F17	83503-KHD6-900	2	F19
64400-LEA7-E00	2	F05	80106-LEA7-E00	0	F17	83520-LEA7-E00	1	F05
64401-LEA7-E00	2	F05	80107-LEA7-E00	0	F17	83550-KEC8-900	0	F05
64500-LEA7-E00	2	F05	80151-LEA7-E00	1	F05	83550-KEC8-900	0	F06
			80152-LEA7-E00	2	F05	83550-KEC8-900	0	F17
77000			80153-LEA7-E00	1	F05	83551-KEC8-900	0	F05
						83551-KEC8-900	0	F06
77200-LEA7-305	0	F09	81000			83551-KEC8-900	0	F17
77206-KEB7-900	0	F09				83551-LEA7-E00	0	F05
77235-LEA7-E0A	0	F18	81131-LEA7-E00	1	F05	83600-LEA7-E00	0	F12
77235-LEA7-E0B	0	F18	81132-LEA7-E00	3	F05	83620-LEA7-E00	1	F05

PART NO. INDEX

PART NO.	VERSION	PAGE	PART NO.	VERSION	PAGE	PART NO.	VERSION	PAGE
83750-LEA7-E00	2	F12				90106-LEA7-E00	0	F19
83751-LEA7-E00	1	F12	89000			90107-LEA7-E00	0	F03
8376A-KEBE-900	4	F05				90107-LEA7-E00	0	F06
86000			89010-LEA7-E00	1	F09	90108-KKC4-900	1	F15
			89020-KKC4-900	1	F09	90112-KNBN-901	1	F11
86102-LEA5-E00	1	F23	90000			90113-KKA8-900	0	F04
86202-LFA7-E60	0	F23				90114-GDM4-011	1	F13
87000			90001-GBHB-661	0	E03	90117-KED9-900	1	F19
			90001-GBHB-661	0	E07	90122-LEA7-E00	0	F07
			90001-GFY6-901	1	E02	90122-LEA7-E00	0	F08
87140-LEA7-E60	0	F23	90005-KEC8-900	1	E03	90145-MKS9-61A	1	F04
87311-LCD3-E00	1	F23	9000B-KHD6-900	2	E02	90201-KHE7-900	0	E06
87505-LEA7-E01	0	F22	90012-3C33-001	0	E02	90201-KHR8-75A	0	E06
87508-KKC4-E00	1	F03	90017-KKE5-E00	1	E02	90201-KHR8-75A	0	E07
87512-KEBE-E00	0	F22	90032-LEA7-E00	1	E01	90202-LEA7-E00	0	E06
87541-GAR1-E00	1	F22	90033-KGB4-C00	0	E02	90206-0A01-001	1	E02
87541-KKC2-E00	1	F22	90084-KKF9-901	0	E04	90215-KKC4-900	1	F09
87542-GAR1-E00	2	F22	9008A-KBE2-900	0	E04	90215-KKC4-900	1	F12
87560-LEA7-E00	0	F22	90103-LEA5-E00	1	F14	90301-6D34-671	1	F01
88000			90104-LEA7-E00	1	F03	90301-6D34-671	1	F10
			90105-KCR3-001	1	F08	90301-6D34-671	1	F17
			90105-KFC2-900	0	F12	90301-6D34-671	1	F20
88110-LEA7-E00	0	F03	90105-LEA7-E00	0	F07	90301-GFY6-901	2	F14
88120-LEA7-E00	0	F03	90106-GEN5-901	0	F03	90302-GBR2-001	1	F17
			90106-KFA6-900	0	F12	90302-GFY6-940	1	F11
						90302-LLB1-E00	2	F03

PART NO. INDEX

PART NO.	VERSION	PAGE	PART NO.	VERSION	PAGE	PART NO.	VERSION	PAGE
90302-LLB1-E00	2	F16	90544-KEC8-900	0	F21	91211-KHE7-900	0	E06
90302-PWA5-900	1	F17	90545-3L00-001	2	F04	91251-LLJ3-E00	0	F21
90302-SDA4-004	2	F03	90601-LLJ3-E00	0	F21	91255-KHE7-900	0	E01
90302-SDA4-004	2	F05	90605-1F66-721	0	E06	91255-LBA7-900	0	F16
90302-SDA4-004	2	F12	90651-LLJ3-E00	0	F21	91255-LEA7-E00	0	F16
90302-SDA4-004	2	F17	90652-KHE7-900	0	F13	91301-2L00-001	0	E01
90302-SDA4-004	2	F19	90652-LCA4-E00	1	F05	91302-5G67-004	0	E04
90304-GHE8-004	0	F03	90652-LCA4-E00	1	F17	91302-LEA7-E00	1	E02
90304-GHE8-004	0	F19	90652-LDG7-900	1	E02	91303-3G77-001	0	E04
90304-LBD4-900	2	F19	90652-LEC8-E00	1	F05	91303-LEA7-E00	0	E04
90305-KKAK-900	0	F08	90652-LGL7-E00	0	F18	91306-1E05-691	0	E03
90305-LBA2-E00	0	F05	90656-KCBC-900	0	F18	91306-PUA5-E00	3	E01
90305-LBA2-E00	0	F06	90677-GAR1-004	1	F11	91307-0E35-001	0	E04
90305-LBD4-900	1	F19	90701-9E65-001	0	E01	91307-PUA5-E00	3	E01
90312-LLJ3-E01	0	F06	90754-LLJ3-E00	1	F07	91309-4E25-004	0	E07
90401-KKJ9-001	0	E07	90914-LEA7-E00	1	F20	91351-KHE7-900	0	E06
90401-LEA7-E00	0	E06				91507-LEA7-E00	0	F18
90402-LEA7-E00	2	E03	91000			91552-LEA7-E00	0	E01
90403-LEA7-E00	0	E06				92000		
90423-KKJ9-001	0	E04	91002-GGA7-70A	0	E06			
90428-9H58-001	0	E04	91004-LEA7-E00	0	E06			
90474-3C33-001	1	E01	91005-LBA7-900	1	E01	92101-05032-0H	0	E07
90478-7L00-001	0	E02	91009-KHE7-900	0	E01	92900-06040-0E	2	E02
90478-7L00-001	0	E04	91201-LEA7-E00	0	E01			
90503-LEA7-E00	0	F06	91202-KGB4-C00	1	E04			
9052A-LEB1-900	1	E01	91202-LEA7-E00	0	E08			

PART NO. INDEX

PART NO.	VERSION	PAGE	PART NO.	VERSION	PAGE	PART NO.	VERSION	PAGE	
93000			93903-34760	0	F05	94301-10160	0	E01	
			93903-35260	0	F03	94301-10160	0	E04	
			93903-35320	0	F01	94301-10160	0	E08	
	93404-06016-06	0	F03	93903-35320	0	F02	94301-12200	1	E02
	93404-06016-06	0	F05	93903-35360	0	F17	94301-12200	1	E03
	93404-06016-06	0	F12	93903-GFY6-900	1	F03	94303-04065	0	E07
	93404-06016-06	0	F15	93903-GFY6-900	1	F05	94401-25140	4	E03
	93404-06016-06	0	F17	93903-GFY6-900	1	F12	94510-10000	0	E07
	93404-06016-06	0	F19	93903-GFY6-900	1	F17	94510-14000	0	E04
	93404-06016-06	0	F20	93903-KEB7-900-06	1	F03	94510-25000	0	E08
93404-06020-06	1	F03	93903-KEB7-900-06	1	F05	94520-28000	0	E06	
93404-06025-06	0	F20				94520-47000	0	E01	
93500-03010-1A	0	E07	94000			94520-47000	0	F16	
93500-05016-0H	0	E02				94601-17000	0	E03	
93500-05016-0H	0	E07	94050-05080	0	F17	94608-LLJ3-E00	0	F21	
93500-KHC4-90A	0	F18	94050-06060	0	F04				
93600-04012-1G	0	F04	94050-06080	0	E02	95000			
93600-06032-0H	0	E07	94050-06080	0	F09				
93892-04008-18	0	E05	94050-06080	0	F18	95002-02080	0	F05	
93893-04012-18	0	F04	94050-06080	0	F19	95002-02100	0	F20	
93894-04022-08	1	F18	94050-06080	0	F20	95002-02120	0	F13	
93903-14360	0	F03	94050-10060	0	E01	95002-02150	0	F13	
93903-25460	0	F13	94101-LBA2-E00	1	F19	95002-50000	0	E01	
93903-34360	0	F03	94102-LBA2-E00	1	F19	95002-70000	0	F20	
93903-34360	0	F05	94301-08100	1	E02	95002-KHE7-900	0	E04	
93903-34360	0	F17	94301-08140	0	E04	95002-KHE7-900	0	F20	

PART NO. INDEX

PART NO.	VERSION	PAGE	PART NO.	VERSION	PAGE	PART NO.	VERSION	PAGE
95014-72204	0	F15	96001-06012-06	0	F06			
95701-06008-06	1	F06	96001-06012-06	0	F18	98000		
95701-06012-08	0	F19	96001-06012-08	0	E07			
95701-06016-06	0	F19	96001-06020-06	0	E01	98059-58916-00	2	E02
95701-06016-08	0	E02	96001-06020-08	0	F18	98200-31000	1	F11
95701-06022-06	1	F14	96001-06022-08	0	E04	98200-31000	1	F18
95701-06045-06	0	F06	96001-06025-06	0	E02	98200-31500	0	F11
95701-06045-08	0	F19	96001-06025-06	0	E03	98200-31500	0	F18
95701-08012-08	0	E01	96001-06028-06	0	F04	98200-33000	0	F11
95701-08012-08	0	F18	96001-06028-08	0	E04	98200-33000	0	F18
95701-08035-08	0	E08	96001-06030-08	0	E01			
95701-08040-08	0	E08	96001-06035-08	0	E04	W		
95701-LDF2-800	2	F10	96001-06070-08	0	E01			
95701-LEA5-E00	1	F18	96001-06080-08	0	E01	W1792-048-9901	0	E05
95801-08040-08	0	F06	96001-GFY6-900	1	F13			
95801-10030-06	0	F15	96100-62050-00	2	E08			
95801-10040-02	0	F16	96100-63020-00	0	E01			
95801-10060-06	0	F14	96100-63020-00	0	E08			
95801-10060-06	0	F16	96100-63040-00	1	E08			
			96150-60020-00	0	F07			
96000			96150-62040-10	0	F16			
			96600-08015-10	1	E07			
96001-06008-07	0	E02	96600-LBA2-E00	0	F21			
96001-06008-07	0	F14	96700-KED9-900	2	F06			
96001-06010-00	0	E04						
96001-06010-06	0	E02						