

# PARTS CATALOGUE



## SCOOTERS

KG10SS(FL)

Agility 50



Date : 2009/01/15

## ABOUT THIS PARTS LIST

- This parts list is compiled all service parts for model KG10SS(FL).
- Any difference between color chart and motorcycle will be revised according to motorcycle.
- The sales mark:
  1. marking "\*\*\*" must add color code in the end before ordering parts.
- When modification or additions to this parts list are made a revised edition at an appropriate time.

# CONTENTS

● ABOUT THIS PARTS LIST .....	1
● COLOR CHART OF KG10SS(FL) .....	3
● CONTENTS-ENGINE GROUP .....	7
● CONTENTS-FRAME GROUP .....	8
● ENGINE PARTS LIST .....	11
● FRAME PARTS LIST .....	37
● PART NO. INDEX .....	87

NO	MODEL			KG10SS(FL) COLOR CHART			
	PHOTO NO			NO. 1	NO. 2	NO. 3	NO. 4
	BASIC COLOR			Orange	Deep Blue	Dark Gray Metallic	Black
	CODE			Orange	Deep Blue	Dark Gray Metallic	Black
	PARTS NAME	PARTS NO.	VERSION	MR068PA	PB281MA	NH230MA	NH001SA
1	COVER FRONT	64301-LGB5-E10	1	41P	CAP	HKP	N1P
2	COVER R BODY	83500-LGB5-E10	1				
3	COVER L BODY	83600-LGB5-E10	0				
4	COVER UNDER	50613-LGB5-E10	1				
5	COVER HANDLE RR	53206-LGB5-E10	0				
6	GRILL FRONT	64303-LGB5-E10	0				
7	COVER R SIDE	83510-LGB5-E10	0				
8	COVER L SIDE	83610-LGB5-E10	0				
9	FENDER RR TIRE	80100-LDC8-E10	0				
10	COVER HANDLE FR	53205-LGB5-E10	1				
11	FENDER FRONT	61100-LGB5-E10	1				
12	COVER COMP L SIDE	11340-LBD6-E00	2				
13	CUSHION ASSY RR	52400-LDC8-E10	2				
14	EMB K-LOGO'28mm	86102-LEA5-E00	1				
15	STRIPE R BODY COVER	86221-LGB5-E10	0				
16	STRIPE L BODY COVER	86231-LGB5-E10	1				
17	STRIPE R LEG SHIELD	86732-LGB5-E10	0				
18	STRIPE L LEG SHIELD	86733-LGB5-E10	0				
19	STRIPE B R LEG SHIELD	86734-LGB5-E10	0				
20	STRIPE B L LEG SHIELD	86735-LGB5-E10	0				
21	CAUTION ANTI	87224-LGB5-EY0	0				
22	LABEL TIRE	87505-LFC2-E10	1				
23	CAUTION SIDE STAND	87541-GAR1-E01	1				
24	LABEL OIL CAP	87541-KGBG-E00	0				
25	MARK MAINT CAUTION	87542-GAR1-E01	2				
DATE OF STARTING-SALES							
DATE OF END-SALES							

NO	MODEL			KG10SS(FL) COLOR CHART			
	PHOTO NO			NO. 5	NO. 6	NO. 7	
	BASIC COLOR			Pearly White	Bright Red	Vivid Yellow	
	CODE			Pearly White	Bright Red	Vivid Yellow	
	PARTS NAME	PARTS NO.	VERSION	NH193PA	RR136PA	YR039SA	
1	COVER FRONT	64301-LGB5-E10	1	NVP	R9P	Y3P	
2	COVER R BODY	83500-LGB5-E10	1				
3	COVER L BODY	83600-LGB5-E10	0				
4	COVER UNDER	50613-LGB5-E10	1	N1R			
5	COVER HANDLE RR	53206-LGB5-E10	0				
6	GRILL FRONT	64303-LGB5-E10	0				
7	COVER R SIDE	83510-LGB5-E10	0				
8	COVER L SIDE	83610-LGB5-E10	0				
9	FENDER RR TIRE	80100-LDC8-E10	0	N1			
10	COVER HANDLE FR	53205-LGB5-E10	1	NEP			
11	FENDER FRONT	61100-LGB5-E10	1	NE			
12	COVER COMP L SIDE	11340-LBD6-E00	2	R8			
13	CUSHION ASSY RR	52400-LDC8-E10	2	T01			
14	EMB K-LOGO'28mm	86102-LEA5-E00	1				
15	STRIPE R BODY COVER	86221-LGB5-E10	0				
16	STRIPE L BODY COVER	86231-LGB5-E10	1				
17	STRIPE R LEG SHIELD	86732-LGB5-E10	0				
18	STRIPE L LEG SHIELD	86733-LGB5-E10	0				
19	STRIPE B R LEG SHIELD	86734-LGB5-E10	0				
20	STRIPE B L LEG SHIELD	86735-LGB5-E10	0				
21	CAUTION ANTI	87224-LGB5-EY0	0				
22	LABEL TIRE	87505-LFC2-E10	1				
23	CAUTION SIDE STAND	87541-GAR1-E01	1				
24	LABEL OIL CAP	87541-KGBG-E00	0				
25	MARK MAINT CAUTION	87542-GAR1-E01	2				
DATE OF STARTING-SALES							
DATE OF END-SALES							





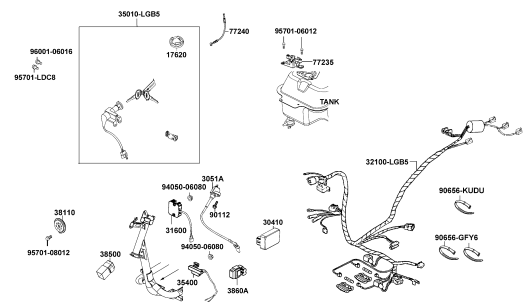




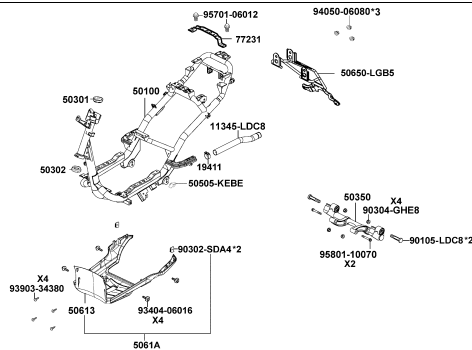


# CONTENTS - FRAME GROUP

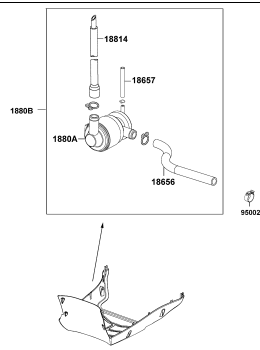
## F19 Wire Harness



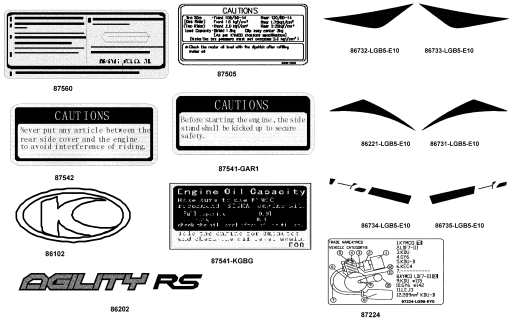
## F20 Frame Body



## F21 Air Cleaner Two

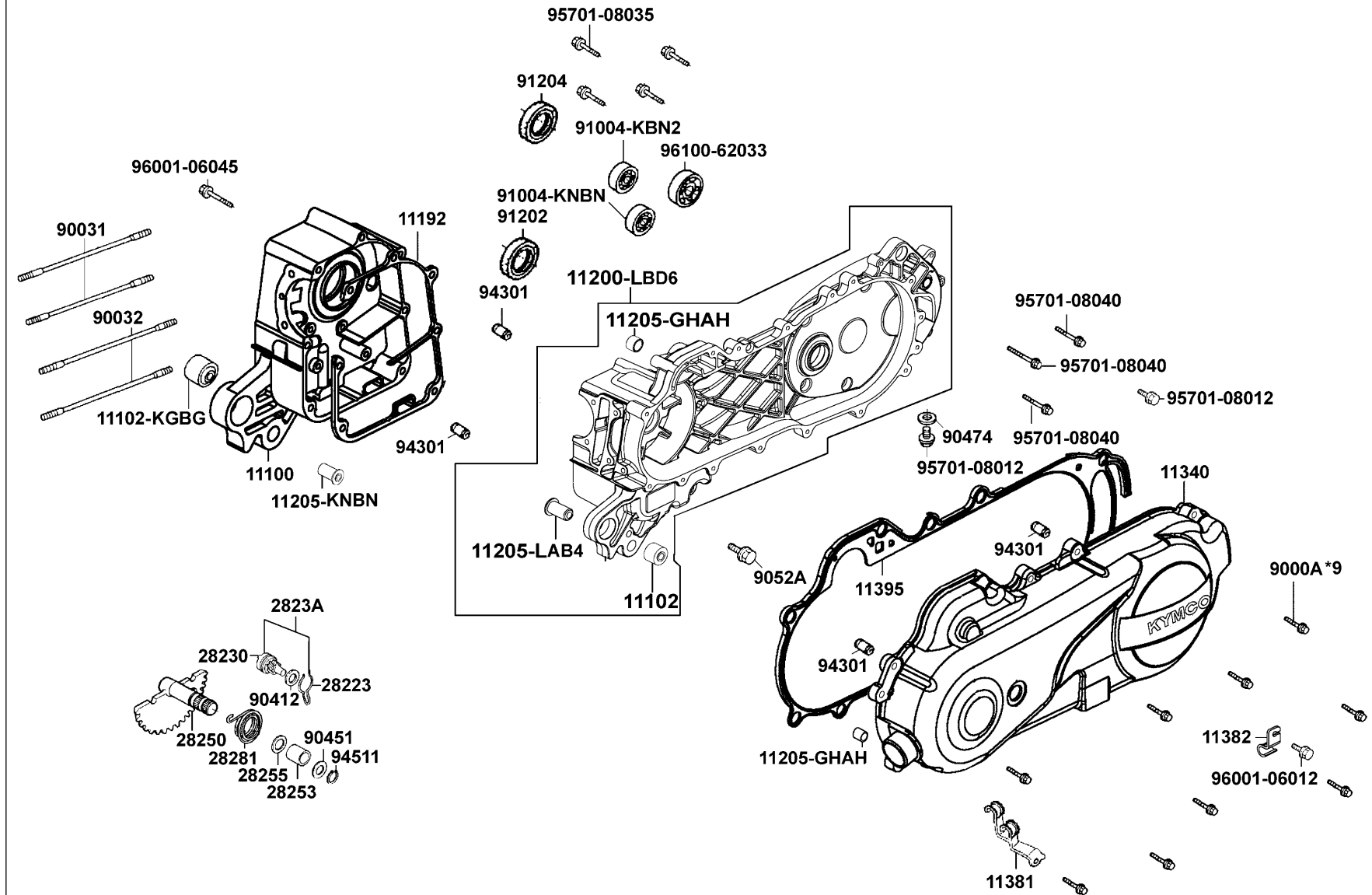


## F22 Emblem Stripe



E01

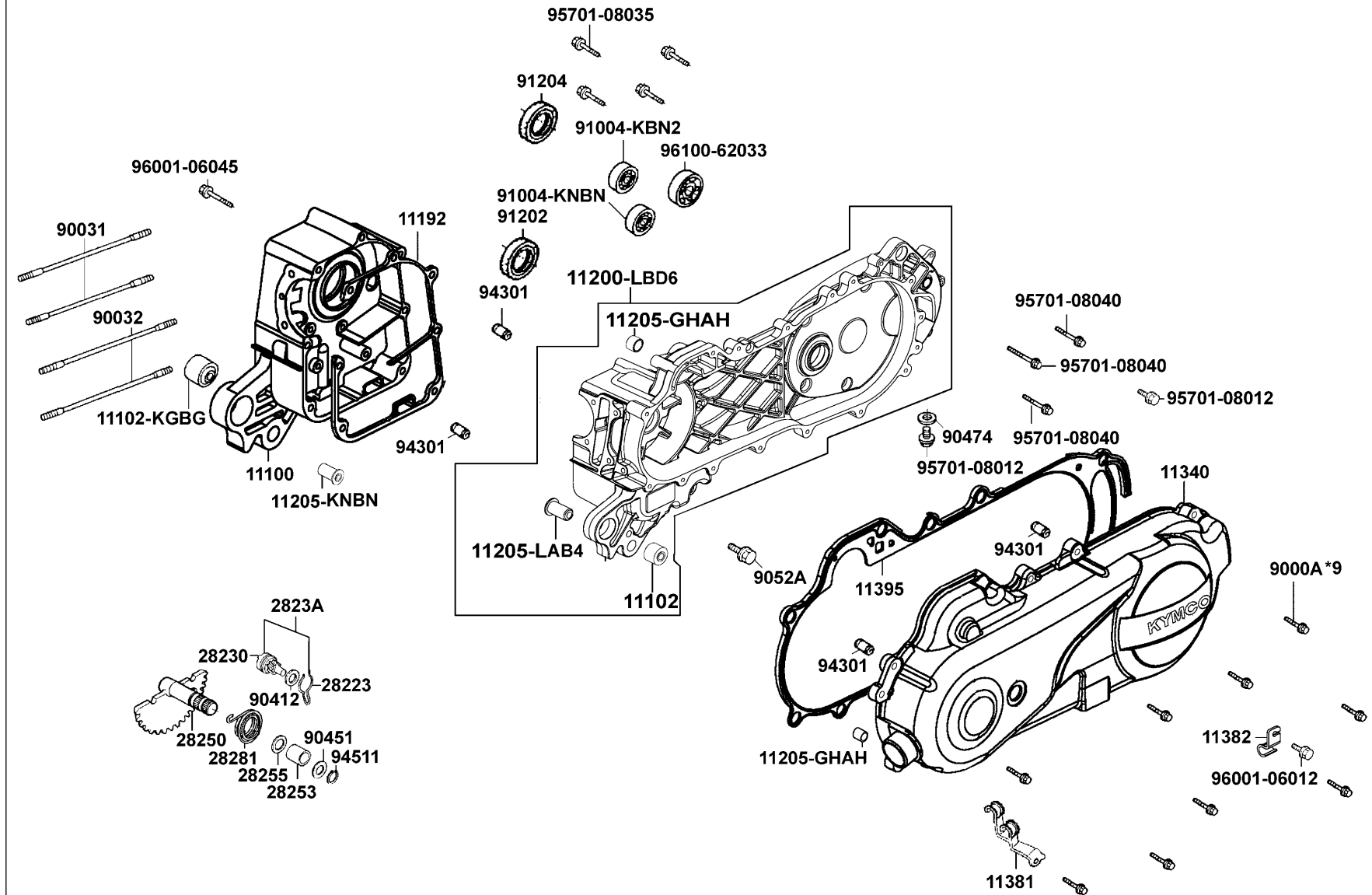
# Crank Case



Sales mark	Ref no	Part no	Ver	Description	Reg description	Regd no	E01
	11100	11100-KGBG-901	4	CRANK CASE COMP RIGHT	CRANK CASE COMP RIGHT	1	
	11102-1G87	11102-1G87-0040	1	RUB BUSH ENG HANGER	RUB BUSH ENG HANGER	1	
	11102-KGBG	11102-KGBG-900	1	BUSH R 42MM	BUSH R 42MM	1	
	11192	11192-KGBG-C10	0	"GASKET,CRANK CASE@A"	"GASKET,CRANK CASE@A"	1	
	11200	11200-LBD6-E00	3	CRANK CASE COMP L	CRANK CASE COMP L	1	
	11205-GHAH	11205-GHAH-004	0	BUSH 8*12*8	BUSH 8*12*8	1	
	11205-KNBN	11205-KNBN-901	0	BUSH M STAND	BUSH M STAND	1	
	11205-LAB4	11205-LAB4-900	1	BUSH MAIN STAND	BUSH MAIN STAND	1	
**	11340	11340-LBD6-E00	2	COVER COMP L SIDE	COVER COMP L SIDE	1	
	11381	11381-KHC4-900	0	CLAMPER THROTTLE CABLE	CLAMPER THROTTLE CABLE	1	
	11382	11382-LBD6-E00	2	CLAMPER BRAKE CABLE	CLAMPER BRAKE CABLE	1	
	11395	11395-LBD6-E00	3	GASKET L COVER	GASKET L COVER	1	
	28223	28223-KNBN-901	0	SPG KICK DRIVEN GEAR	SPG KICK DRIVEN GEAR	1	
	28230	28230-GHAH-7210	0	GEAR COMP KICK DRIVEN	GEAR COMP KICK DRIVEN	1	
	2823A	2823A-LBD6-E00	1	GEAR ASSY KICK DRIVEN	GEAR ASSY KICK DRIVEN	1	
	28250	28250-GBN2-6020	0	SPINDLE COMP KICK STARTER	SPINDLE COMP KICK STARTER	1	
	28253	28253-GBN2-6020	0	BUSH KICK SPINDLE	BUSH KICK SPINDLE	1	
	28255	28255-GFS6-001	0	COLLAR KICK BOSS	COLLAR KICK BOSS	1	
	28281	28281-GBN2-6030	1	SPRING KICK RETURN	SPRING KICK RETURN	1	
	9000A	9000A-KTDT-900	1	BOLT ASSY SPECIAL 6*29.5	BOLT ASSY SPECIAL 6*29.5	9	

E01

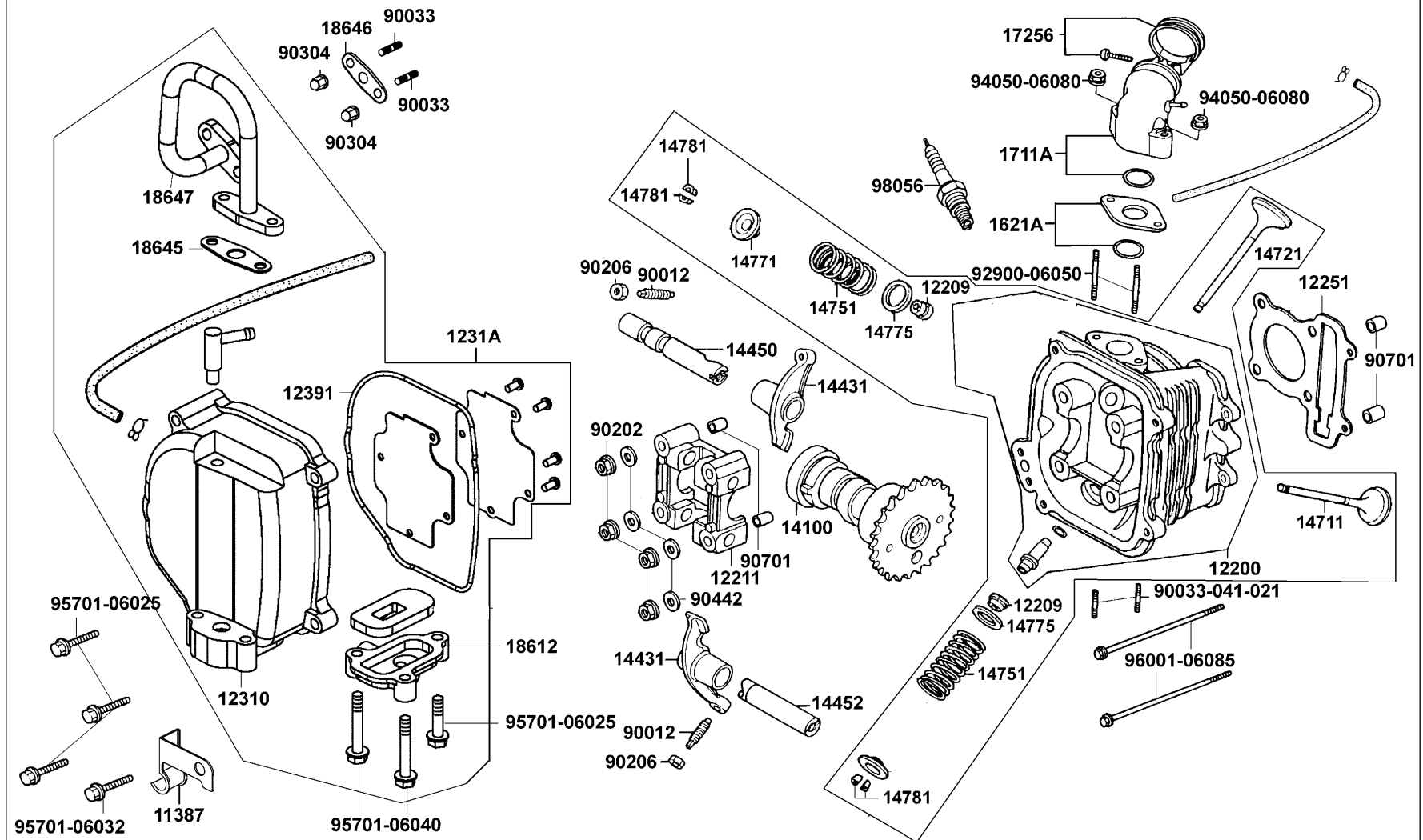
# Crank Case



Sales mark	Ref no	Part no	Ver	Description	Reg description	Regd no	<b>E01</b>
	90031	90031-KGBG-9010	0	BOLT A STUD 7X168	BOLT A STUD 7X168	2	
	90032	90032-KGBG-9010	0	BOLT B STUD 7X176	BOLT B STUD 7X176	2	
	90412	90412-3K29-001	0	WASHER THRUST10MM	WASHER THRUST10MM	1	
	90451	90451-GBN2-601	0	WASHER KICK SPINDLE	WASHER KICK SPINDLE	1	
#	90474	90474-3C33-001	1	WASHER 8MM	WASHER 8MM	1	
	9052A	9052A-GFY6-950	1	BOLT ASSY DRAIN PLUG	BOLT ASSY DRAIN PLUG	1	
	91004-KBN	91004-KBN-9210-M1	0	BRG BALL RADIAL 6203 SPC	BRG BALL RADIAL 6203 SPC	1	
	91004-KN2	91004-KN2-9020-M1	0	BRG BALL RADIAL 6201	BRG BALL RADIAL 6201	1	
	91202	91202-GFY6-90B	0	OIL SEAL 19.8*30*5	OIL SEAL 19.8*30*5	1	
	91204	91204-KNBN-90A	1	OIL SEAL 17*30*6	OIL SEAL 17*30*6	1	
	94301	94301-08140	0	DOWEL PIN 8*14	DOWEL PIN 8*14	4	
	94511	94511-14000	0	CIRCLIP EX 14	CIRCLIP EX 14	1	
#	95701-08012	95701-08012-08	0	BOLT FLANGE 8*12	BOLT FLANGE 8*12	2	
	95701-08035	95701-08035-08	0	BOLT FLANGE 8*35	BOLT FLANGE 8*35	4	
	95701-08040	95701-08040-08	0	BOLT FLANGE 8*40	BOLT FLANGE 8*40	3	
	96001-06012	96001-06012-02	0	BOLT FLANGE SH 6*12	BOLT FLANGE SH 6*12	1	
	96001-06045	96001-06045-08	0	BOLT FLANGE SH 6*45	BOLT FLANGE SH 6*45	1	
	96100	96100-62033-00	0	BEARING BALL RADIAL 6203	BEARING BALL RADIAL 6203	1	

E02

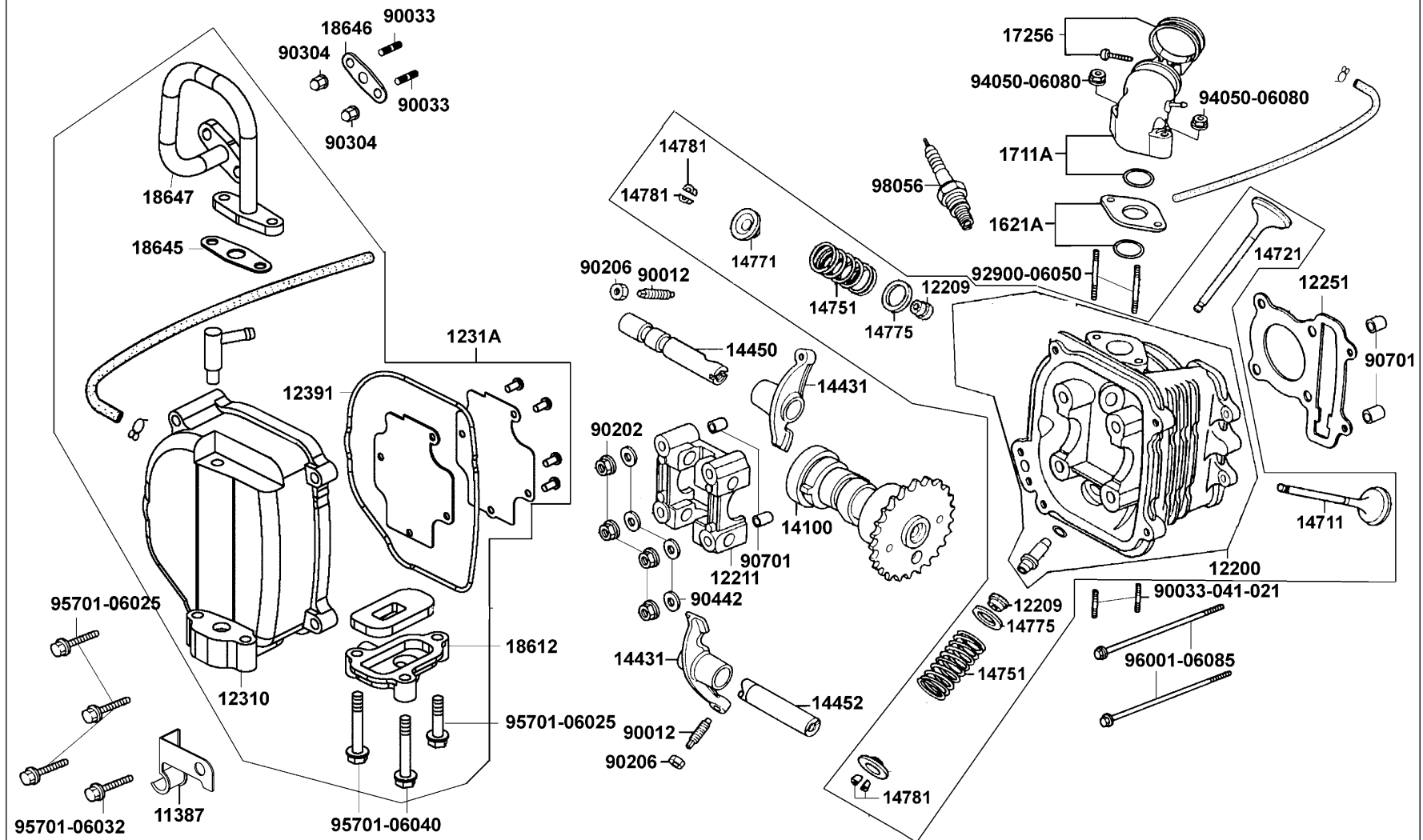
# Cylinder Head



Sales mark	Ref no	Part no	Ver	Description	Reg description	Regd no	E02
	11387	11387-KGBG-900	1	CLAMPER BREATHER TUBE	CLAMPER BREATHER TUBE	1	
	12200	12200-KGBG-9100	6	HEAD COMP CYLN	HEAD COMP CYLN	1	
	12209	12209-GDB4-68A	0	SEAL VALVE STEM	SEAL VALVE STEM	2	
	12211	12211-KGBG-9000	2	HOLDER CAM SHAFT	HOLDER CAM SHAFT	1	
	12251	12251-KGBG-900	0	GASKET CYLINDER HEAD	GASKET CYLINDER HEAD	1	
	12310	12310-KHC5-900	2	COVER COMP HEAD	COVER COMP HEAD	1	
	1231A	1231A-KHC5-900	1	COVER ASSY HEAD	COVER ASSY HEAD	1	
	12391	12391-KEE1-900	0	GASKET HEAD COVER	GASKET HEAD COVER	1	
	14100	14100-KGBG-901	4	SHAFT COMP CAM	SHAFT COMP CAM	1	
	14431	14431-KGBG-W10	0	ARM VALVE ROCKER	ARM VALVE ROCKER	2	
	14450	14450-KGBG-W10	0	SHAFT COMP IN ROCKER ARM	SHAFT COMP IN ROCKER ARM	1	
	14452	14452-KGBG-W10	0	SHAFT EXH ROCKER ARM	SHAFT EXH ROCKER ARM	1	
	14711	14711-KGBG-9000	0	VALVE INLET	VALVE INLET	1	
	14721	14721-KGBG-9000	0	VALVE EXHAUST	VALVE EXHAUST	1	
	14751	14751-GEN5-9120-M1	0	SPRING VALVE OUTER	SPRING VALVE OUTER	2	
	14771	14771-GDB4-680	2	RETAINER VALVE SPRING	RETAINER VALVE SPRING	0	
	14775	14775-MFA6-001	0	SEAT VALVE SPG OUTER	SEAT VALVE SPG OUTER	2	
	14781	14781-MFA6-001	0	COTTER VALVE	COTTER VALVE	4	
	1621A	1621A-KGBG-900	2	INSULATOR CARB ASSY	INSULATOR CARB ASSY	1	
	1711A	1711A-LBD6-E00	2	PIPE ASSY INLET	PIPE ASSY INLET	1	

E02

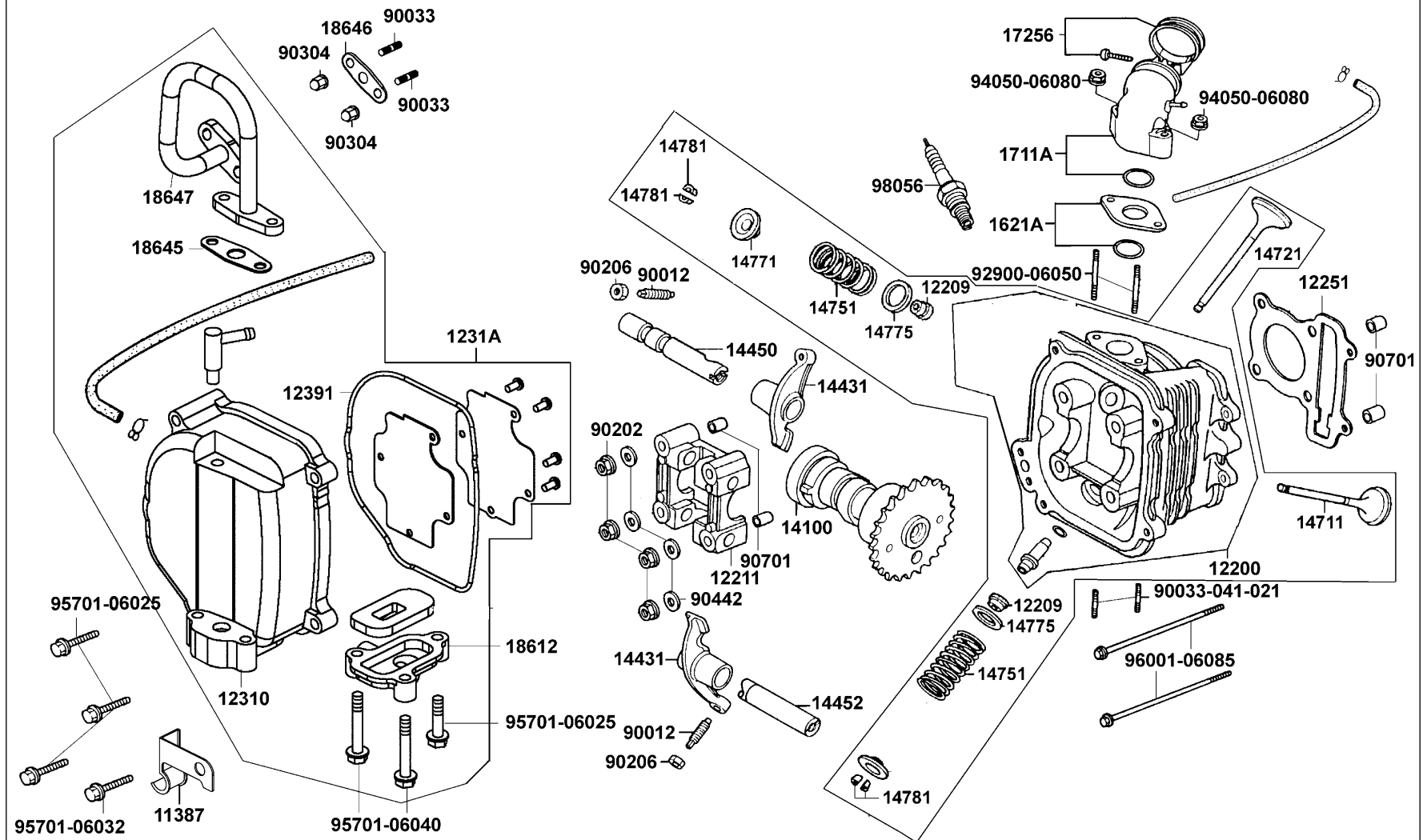
# Cylinder Head



Sales mark	Ref no	Part no	Ver	Description	Reg description	Regd no	E02
	17256	17256-KGBG-900	0	BAND INSULATOR	BAND INSULATOR	1	
	18612	18612-GFY6-941	0	COVER REED VALVE	COVER REED VALVE	1	
	18645	18645-GFY6-941	0	GSKT A/I PIPE	GSKT A/I PIPE	1	
	18646	18646-GFY6-C10	0	GASKET A/I PIPE	GASKET A/I PIPE	1	
	18647	18647-GFY6-941	0	PIPE COMP AIR	PIPE COMP AIR	1	
	90012	90012-3C33-0010	1	SCREW TAPPET ADJUSTING	SCREW TAPPET ADJUSTING	2	
	90033-041	90033-041-0210	1	BOLT STUD 6*32	BOLT STUD 6*32	2	
#	90033-GFY6	90033-GFY6-941	0	BOLT STUD 6*16	BOLT STUD 6*16	2	
	90202	90202-GFF6-011	0	NUT FLANGE 7M/M	NUT FLANGE 7M/M	4	
	90206	90206-0A01-0010	1	NUT TAPPET ADJG	NUT TAPPET ADJG	2	
	90304	90304-4H38-001	2	NUT HEX CAP 6MM	NUT HEX CAP 6MM	2	
	90442	90442-GFF6-011	0	WASHER SEALING 7MM	WASHER SEALING 7MM	4	
	90701	90701-GFF6-001	0	PIN DOWEL SPECIAL 8*14	PIN DOWEL SPECIAL 8*14	4	
	92900	92900-06050-0B	0	BOLT STUD 6*50	BOLT STUD 6*50	2	
#	94050	94050-06080	0	NUT FLANGE 6MM	NUT FLANGE 6MM	2	
	95701-06025-00	95701-06025-00	0	BOLT FLANGE 6*25	BOLT FLANGE 6*25	1	
	95701-06025-08	95701-06025-08	0	BOLT FLANGE 6*25	BOLT FLANGE 6*25	3	
	95701-06032	95701-06032-08	0	BOLT FLANGE 6*32	BOLT FLANGE 6*32	1	
	95701-06040	95701-06040-00	0	BOLT FLANGE 6*40	BOLT FLANGE 6*40	2	
	96001	96001-06085-08	0	BOLT FLANGE SH 6*85	BOLT FLANGE SH 6*85	2	

E02

# Cylinder Head

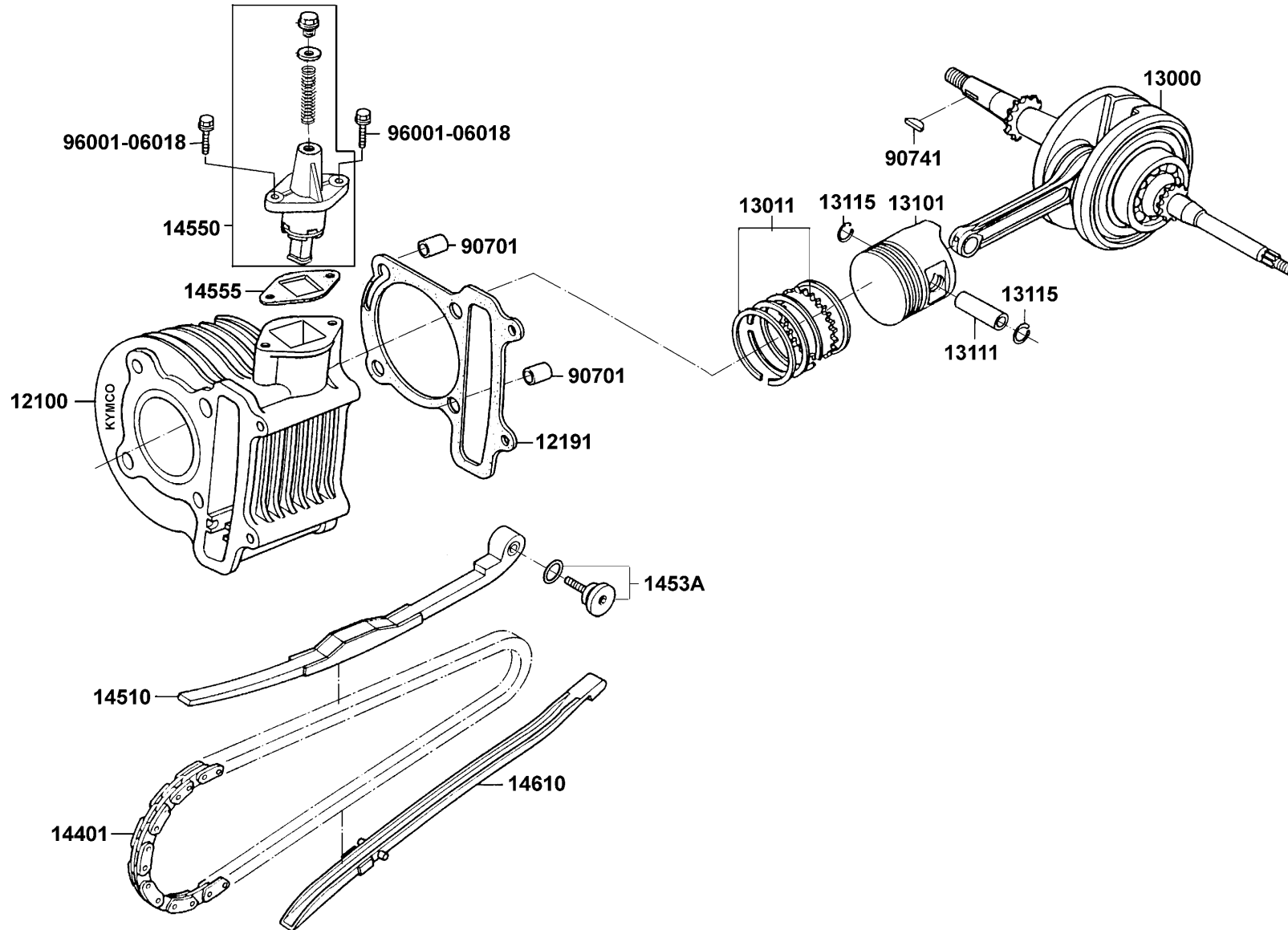


Sales mark	Ref no	Part no	Ver	Description	Reg description	Regd no	<b>E02</b>
------------	--------	---------	-----	-------------	-----------------	---------	------------

98056	98056	5771R-00-M2	0	SPARK PLUG (-)	SPARK PLUG (-)	1	
-------	-------	-------------	---	----------------	----------------	---	--

E03

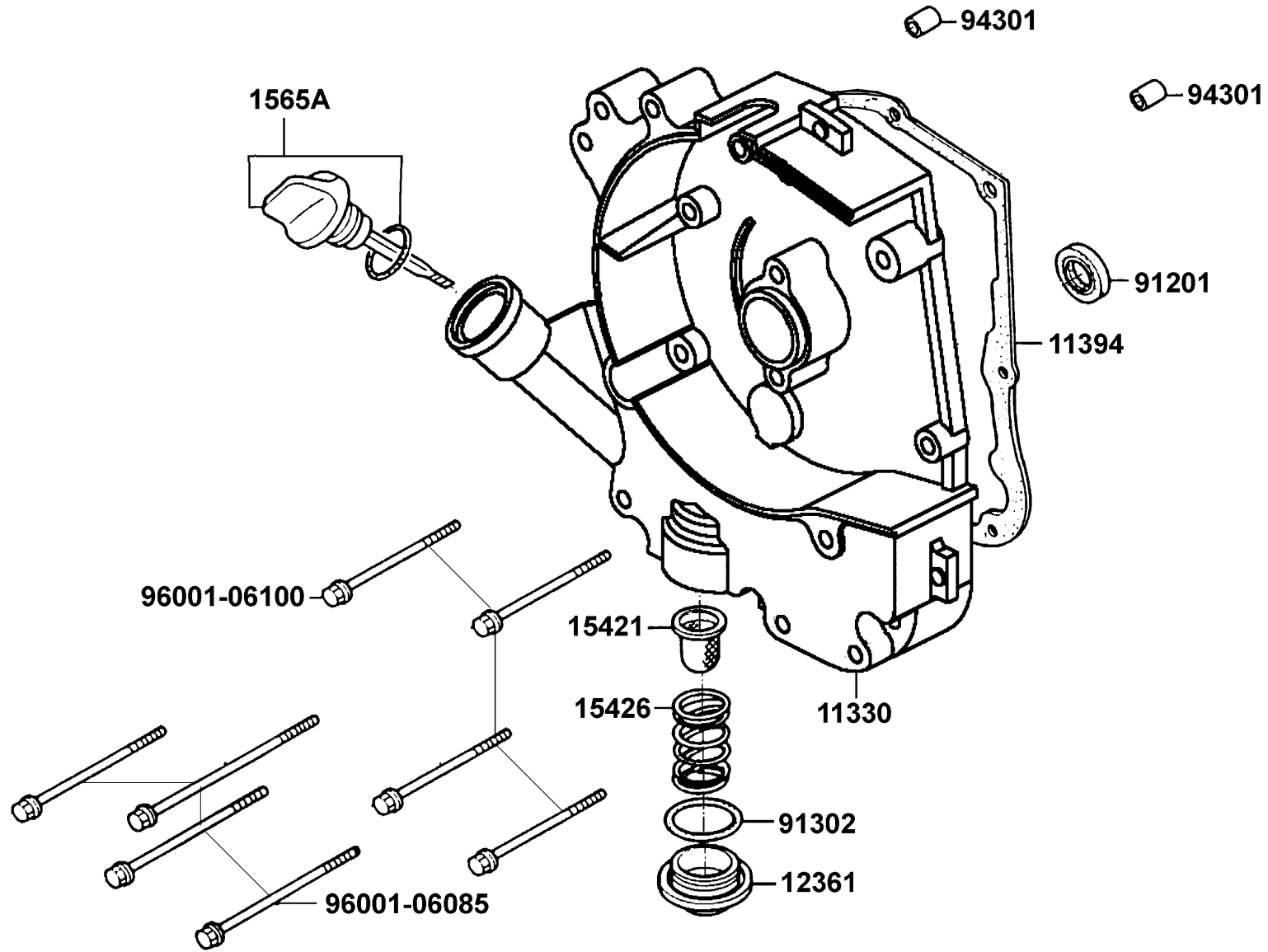
# Cylinder Piston Crankshaft



Sales mark	Ref no	Part no	Ver	Description	Reg description	Regd no	E03
	12100	12100-KGBG-A60	0	CYLINDER COMP	CYLINDER COMP	1	
	12191	12191-KGBG-C10	0	"GASKET,CYLINDER@A"	"GASKET,CYLINDER@A"	1	
	13000	13000-KGBG-900	3	CRANK SHAFT COMP	CRANK SHAFT COMP	1	
	13011	13011-KGBG-9010	0	RING SET PISTON	RING SET PISTON	1	
	13101	13101-LCB9-B20	2	PISTON	PISTON	1	
	13111	13111-KGBG-900	1	PIN PISTON	PIN PISTON	1	
	13115	13115-0A01-001	0	PISTON PIN CLIP	PISTON PIN CLIP	2	
	14401	14401-KGBG-9000	0	CHAIN CAM	CHAIN CAM	1	
	14510	14510-KGBG-9000	0	TENSIONER CAM CHAIN	TENSIONER CAM CHAIN	1	
	1453A	1453A-GFY6-W10	0	PIVOT CAM CHAIN SET	PIVOT CAM CHAIN SET	1	
	14550	14550-LDC8-C10	0	ADJUSTER CAM CHAIN	ADJUSTER CAM CHAIN	1	
	14555	14555-KKJ9-C10	0	GASKETACAM CHAIN ADJUSTER	GASKETACAM CHAIN ADJUSTER	1	
	14610	14610-KGBG-9000	0	GUIDE COMP CAM CHAIN	GUIDE COMP CAM CHAIN	1	
	90701	90701-GFF6-001	0	PIN DOWEL SPECIAL 8*14	PIN DOWEL SPECIAL 8*14	2	
	90741	90741-0E35-001	0	KEY WOODRUFF	KEY WOODRUFF	1	
#	96001	96001-06018-08	0	BOLT FLANGE SH 6*18	BOLT FLANGE SH 6*18	2	

E04

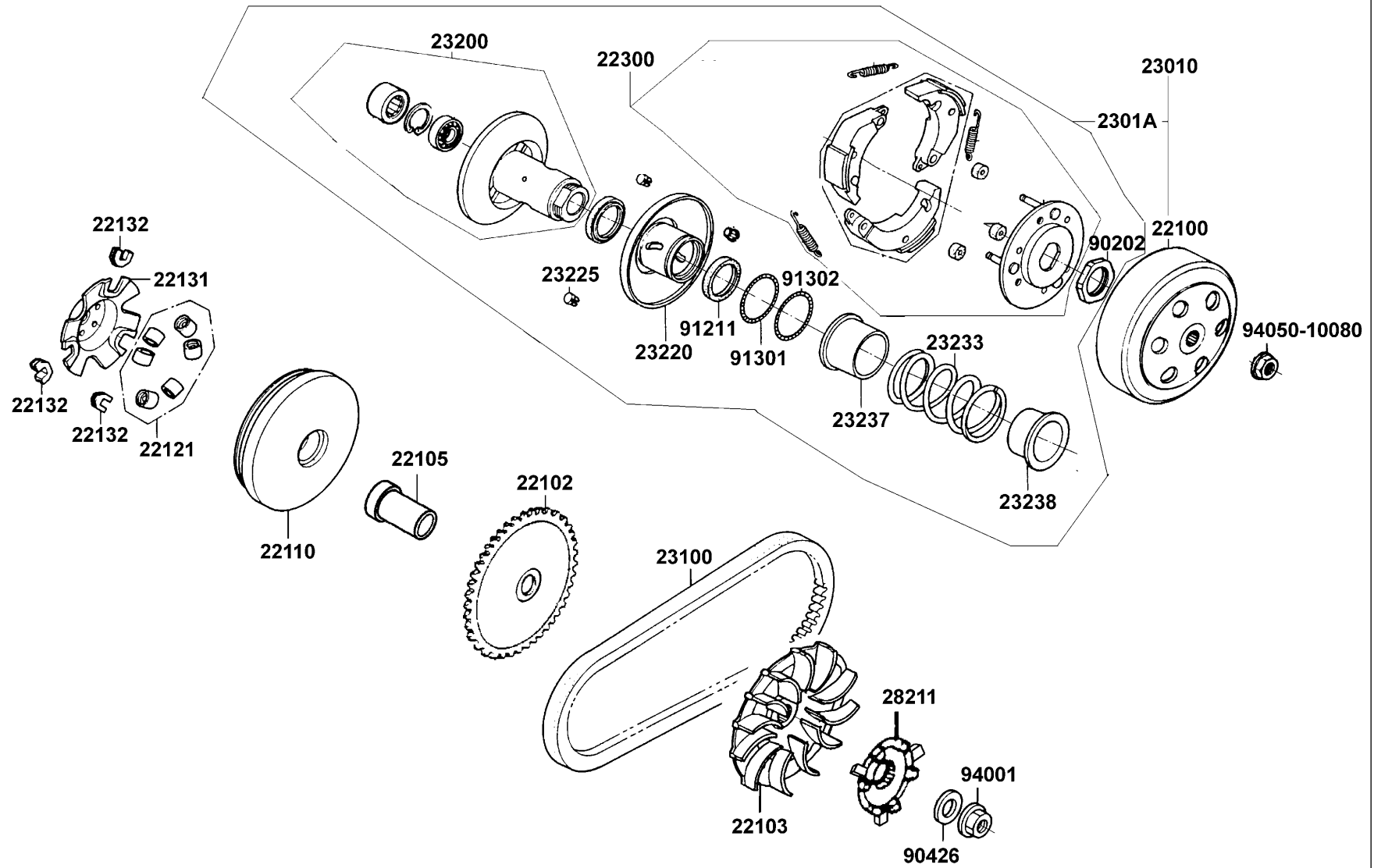
Right Crankcase Cover



Sales mark	Ref no	Part no	Ver	Description	Reg description	Regd no	<b>E04</b>
**	11330	11330-LBD6-E00	3	COVER R CRANK CASE	COVER R CRANK CASE	1	
	11394	11394-KGBG-C10	0	GASKET R COVER@A	GASKET R COVER@A	1	
	12361	12361-GFY6-9010	1	HOLE CAP TAPPET ADJUSTING	HOLE CAP TAPPET ADJUSTING	1	
	15421	15421-1G07-W10	0	SCREEN OIL FILTER	SCREEN OIL FILTER	1	
	15426	15426-GAE1-921	0	SPG OIL FILTER SCREEN	SPG OIL FILTER SCREEN	1	
	1565A	1565A-GFY6-900	0	GAUGE OIL LEVEL ASSY	GAUGE OIL LEVEL ASSY	1	
	91201	91201-KGBG-90A	0	OIL SEAL 16.4*30*5	OIL SEAL 16.4*30*5	1	
	91302	91302-0A01-021	0	O-RING 30.8M/M	O-RING 30.8M/M	1	
	94301	94301-08140	0	DOWEL PIN 8*14	DOWEL PIN 8*14	2	
	96001-06085	96001-06085-08	0	BOLT FLANGE SH 6*85	BOLT FLANGE SH 6*85	4	
	96001-06100	96001-06100-08	0	BOLT FLANGE SH 6*100	BOLT FLANGE SH 6*100	4	

E05

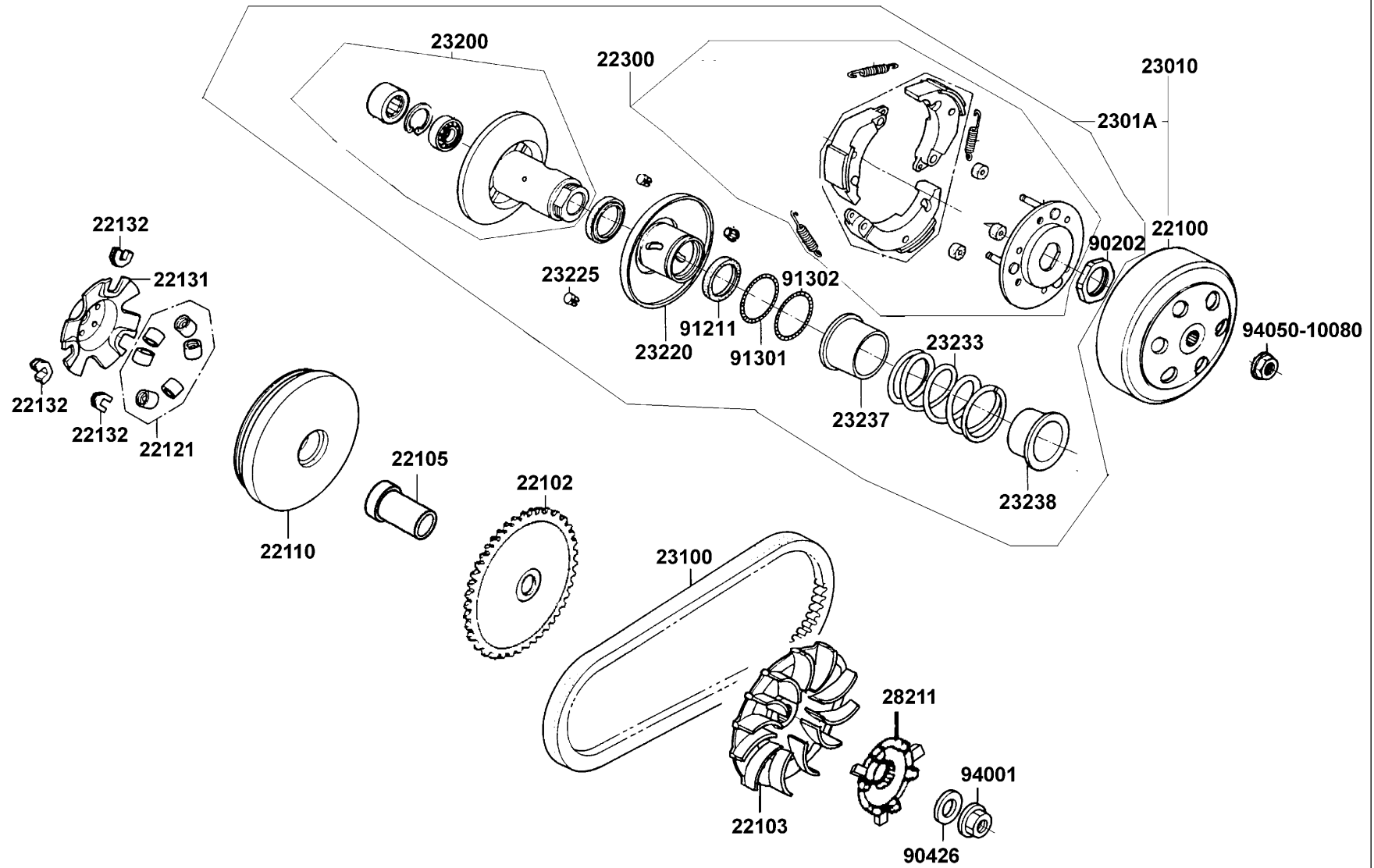
# Driven Pulley



Sales mark	Ref no	Part no	Ver	Description	Reg description	Regd no	E05
	22100	22100-LDC8-E10	0	CLUTCH OUTER	CLUTCH OUTER	1	
	22102	22102-LDC8-E10	0	FACE DRIVE	FACE DRIVE	1	
	22103	22103-KEB7-900	0	FAN CVT COOLING	FAN CVT COOLING	1	
	22105	22105-LBD6-E00	3	BOSS DRIVE FACE	BOSS DRIVE FACE	1	
	22110	22110-LDC8-E10	0	FACE COMP MOVABLE DRIVE	FACE COMP MOVABLE DRIVE	1	
	22121	22121-LBD6-E00	2	ROLLER COMP WEIGHT 6.5g	ROLLER COMP WEIGHT 6.5g	6	
	22131	22131-GHAH-7810	0	PLATE RAMP	PLATE RAMP	1	
	22132	22132-GLW0-001	2	PIECE SLIDE	PIECE SLIDE	3	
	22300	22300-GGAG-750	1	PLATE ASSY DRIVE	PLATE ASSY DRIVE	1	
	23010	23010-LDC8-C10	0	PULLEY ASSY DRIVEN	PULLEY ASSY DRIVEN	1	
	2301A	2301A-LDC8-E10	1	PULLEY SUB ASSY	PULLEY SUB ASSY	1	
	23100	23100-KEB7-900	0	BELT DRIVE	BELT DRIVE	1	
	23200	23200-LDC8-C10	0	FACE ASSY DRIVEN	FACE ASSY DRIVEN	1	
	23220	23220-LDC8-E10	0	FACE COMP MOVABLE	FACE COMP MOVABLE	1	
	23225	23225-GAR1-7510	0	PIN GUIDE	PIN GUIDE	3	
	23233	23233-KEE1-900	1	SPG DRIVEN FACE	SPG DRIVEN FACE	1	
	23237	23237-GAR1-220	0	COLLAR SEAL	COLLAR SEAL	1	
	23238	23238-GGS7-0110	0	COLLAR SPG	COLLAR SPG	1	
	28211	28211-KEB7-W10	0	RATCHET KICK STARTER	RATCHET KICK STARTER	1	
	90202	90202-1G87-001	0	NUT SPECIAL 28MM	NUT SPECIAL 28MM	1	

E05

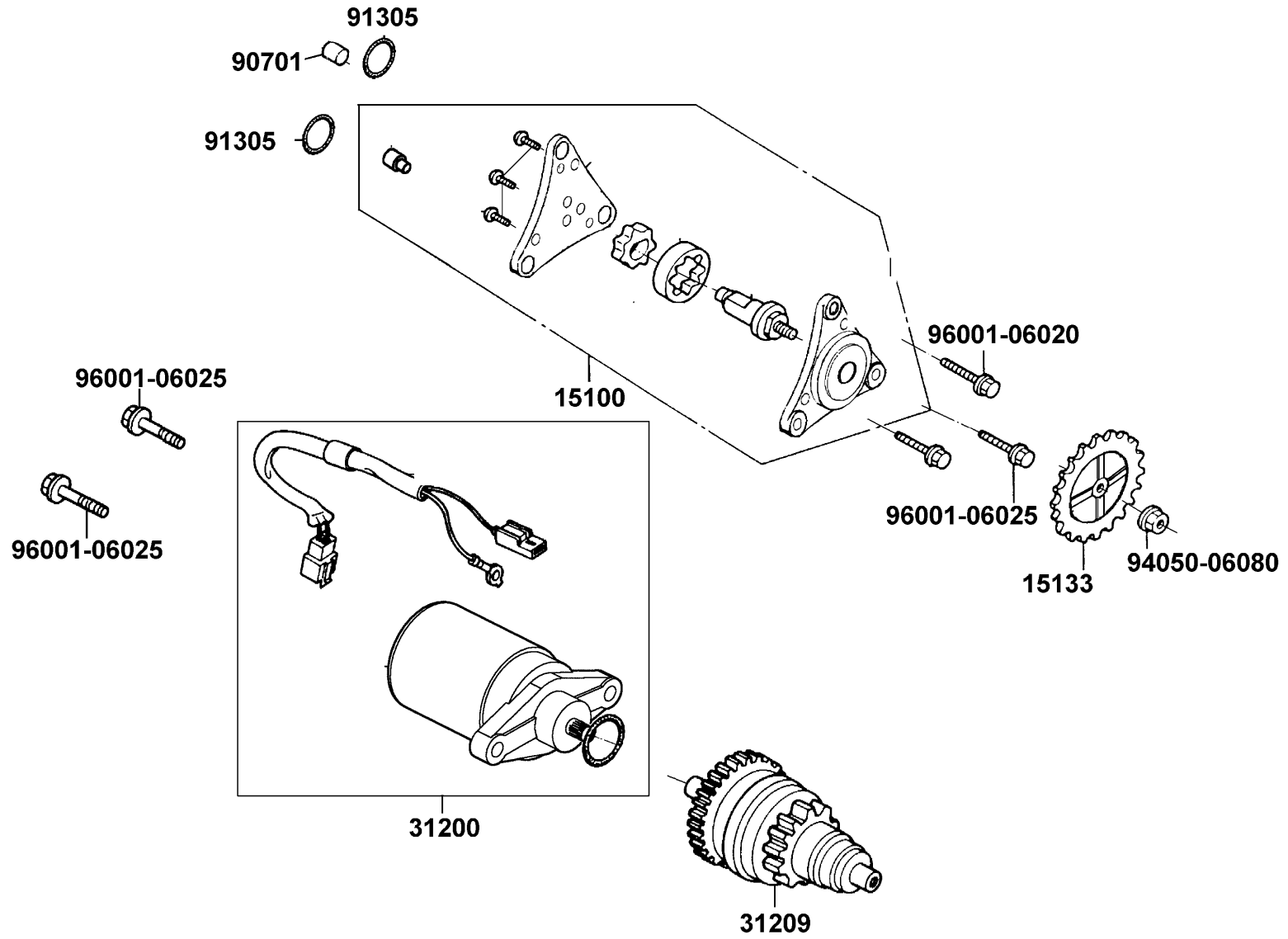
# Driven Pulley



Sales mark	Ref no	Part no	Ver	Description	Reg description	Regd no	<b>E05</b>
	90426	90426-KNBN-901	0	WASHER SPECIAL 12MM	WASHER SPECIAL 12MM	1	
	91211	91211-KEE1-900	0	OIL SEAL 34*39*3	OIL SEAL 34*39*3	2	
	91301	91301-KEE1-900	0	O-RING 36*1.5	O-RING 36*1.5	1	
	91302	91302-KEE1-900	0	O-RING 39.8*2.2	O-RING 39.8*2.2	1	
	94001	94001-12280-OS	0	NUT HEX 12MM	NUT HEX 12MM	1	
	94050	94050-10080	0	NUT FLANGE 10MM	NUT FLANGE 10MM	1	

E06

# Starting Motor Oil Pump

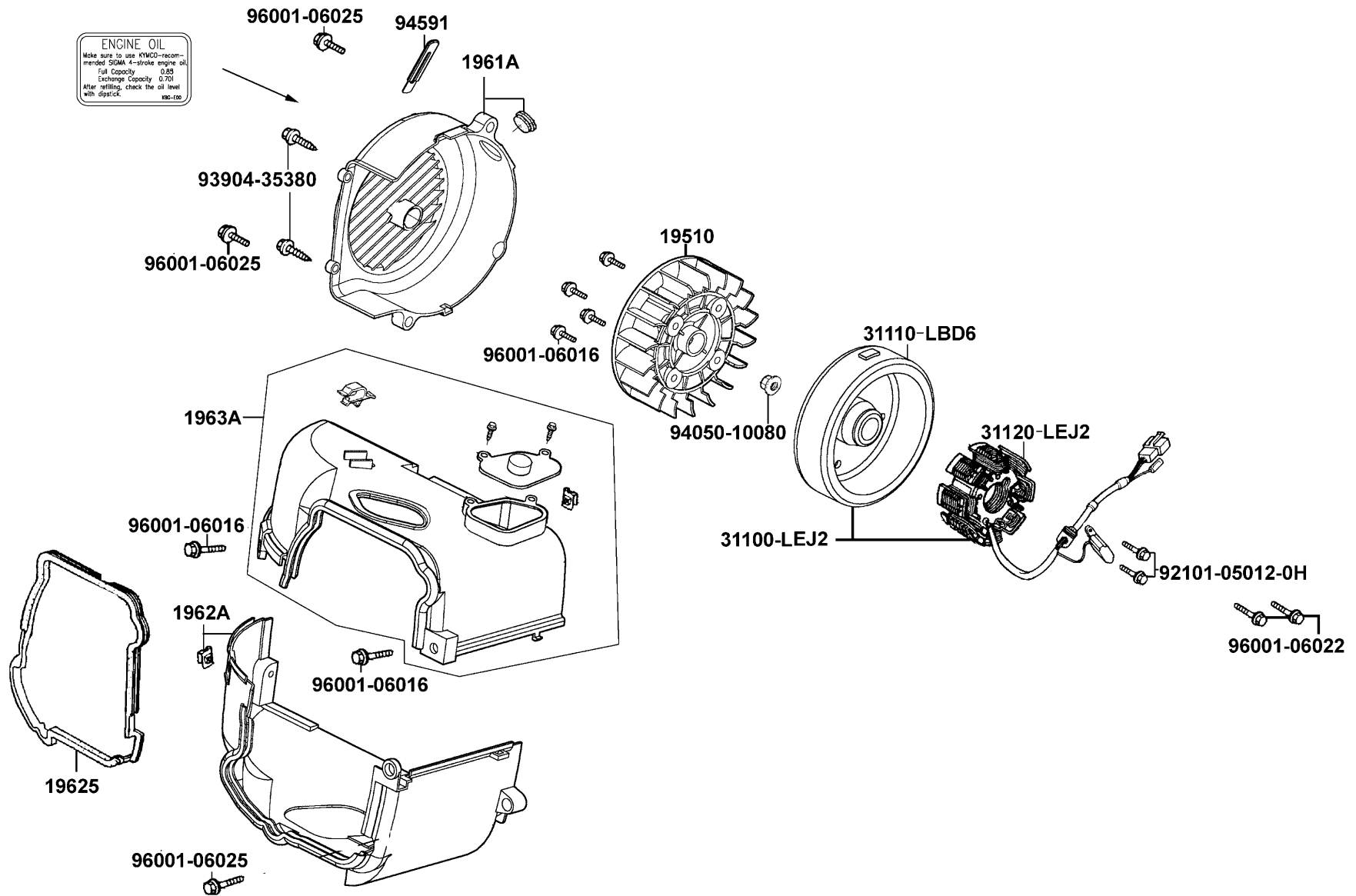


Sales mark	Ref no	Part no	Ver	Description	Reg description	Regd no	<b>E06</b>
	15100	15100-LDC5-900	2	PUMP ASSY OIL	PUMP ASSY OIL	1	
	15133	15133-LDC5-900	2	GEAR OIL PUMP DRIVEN	GEAR OIL PUMP DRIVEN	1	
	31200	31200-LEJ2-E10	0	MOTOR ASSY START	MOTOR ASSY START	1	
	31209	31209-KEE1-9000	2	PINION ASSY STARTER	PINION ASSY STARTER	1	
	90701	90701-HDC4-001	1	PIN DOWELL 8*12	PIN DOWELL 8*12	1	
	91305	91305-0H28-1590	0	O-RING 9*1.6	O-RING 9*1.6	2	
#	94050	94050-06080	0	NUT FLANGE 6MM	NUT FLANGE 6MM	1	
	96001-06020	96001-06020-08	0	BOLT FLANGE SH 6*20	BOLT FLANGE SH 6*20	2	
#	96001-06025	96001-06025-08	0	BOLT FLANGE SH 6*25	BOLT FLANGE SH 6*25	3	

**E07**

**Fan Cover Generator**

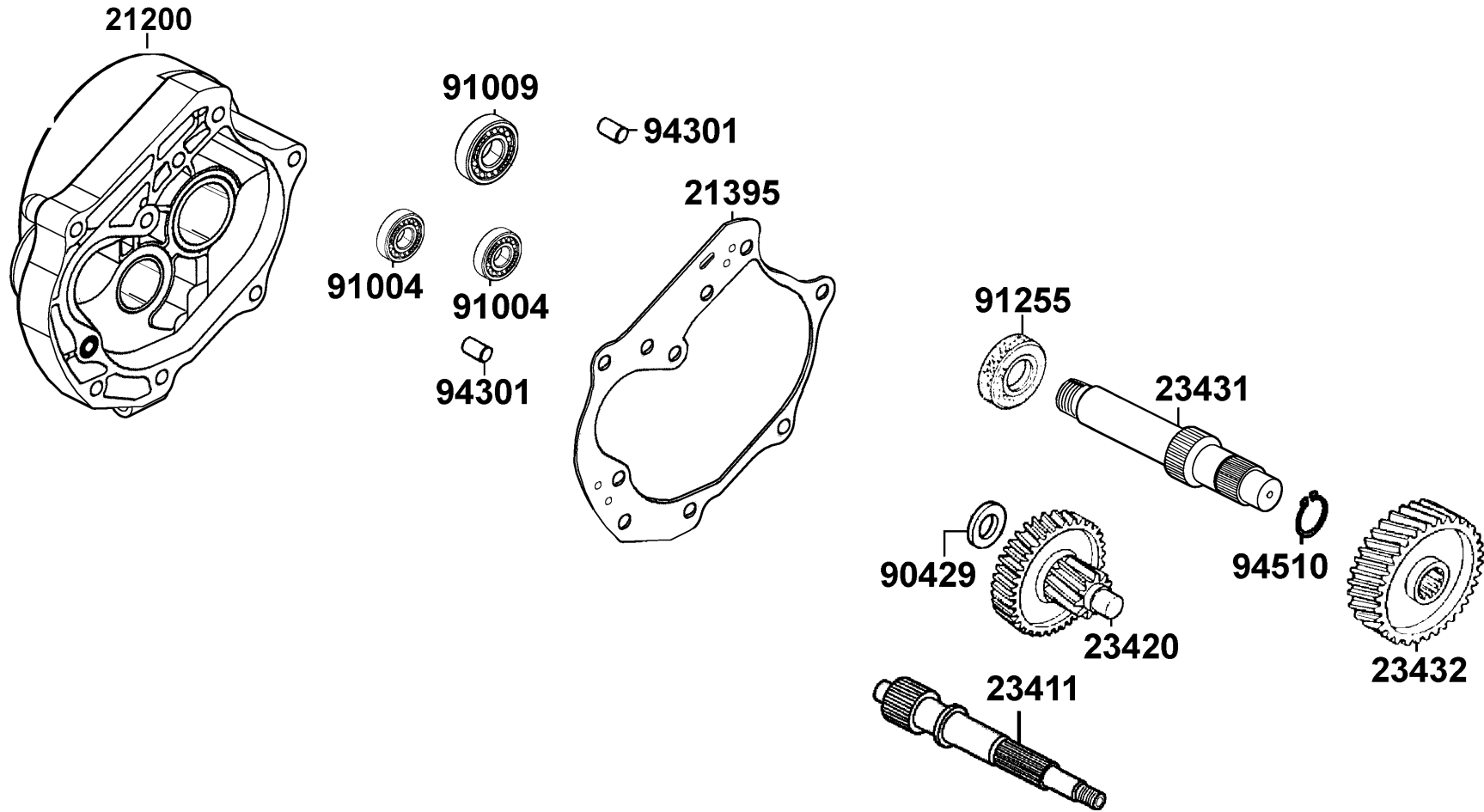
**ENGINE OIL**  
Make sure to use KYMCO-recommended SIGMA 4-stroke engine oil.  
Full Capacity 0.85  
Exchange Capacity 0.70l  
After refilling, check the oil level with dipstick.  
196-106



Sales mark	Ref no	Part no	Ver	Description	Reg description	Regd no	<b>E07</b>
	19510	19510-LDC5-900	1	FAN COMP COOLING	FAN COMP COOLING	1	
**	1961A	1961A-KGBG-E01	1	COVER ASSY FAN	COVER ASSY FAN	1	
	19625	19625-KEE1-9000	0	SEAL SHROUD	SEAL SHROUD	1	
	1962A	1962A-KEE1-900	2	SHROUD ASSY A	SHROUD ASSY A	1	
	1963A	1963A-LDC8-E10	1	SHROUD ASSY B	SHROUD ASSY B	1	
	31100	31100-LEJ2-E10	2	AC GEN ASSY	AC GEN ASSY	1	
	31110	31110-LBD6-E0A	1	FLYWHEEL COMP	FLYWHEEL COMP	1	
	31120	31120-LEJ2-E10	2	AC GEN ASSY	AC GEN ASSY	1	
	92101	92101-05012-0H	0	BOLT HEX 5*12	BOLT HEX 5*12	2	
	93904	93904-35380	0	SCREW TAPPING 5*16	SCREW TAPPING 5*16	2	
	94050	94050-10080	0	NUT FLANGE 10MM	NUT FLANGE 10MM	1	
	94591	94591-LDC8-E10	0	CLIP BIND	CLIP BIND	1	
	96001-06016	96001-06016-08	0	BOLT FLANGE SH 6*16	BOLT FLANGE SH 6*16	6	
#	96001-06022	96001-06022-08	0	BOLT FLANGE SH 6*22	BOLT FLANGE SH 6*22	2	
#	96001-06025	96001-06025-08	0	BOLT FLANGE SH 6*25	BOLT FLANGE SH 6*25	3	

E08

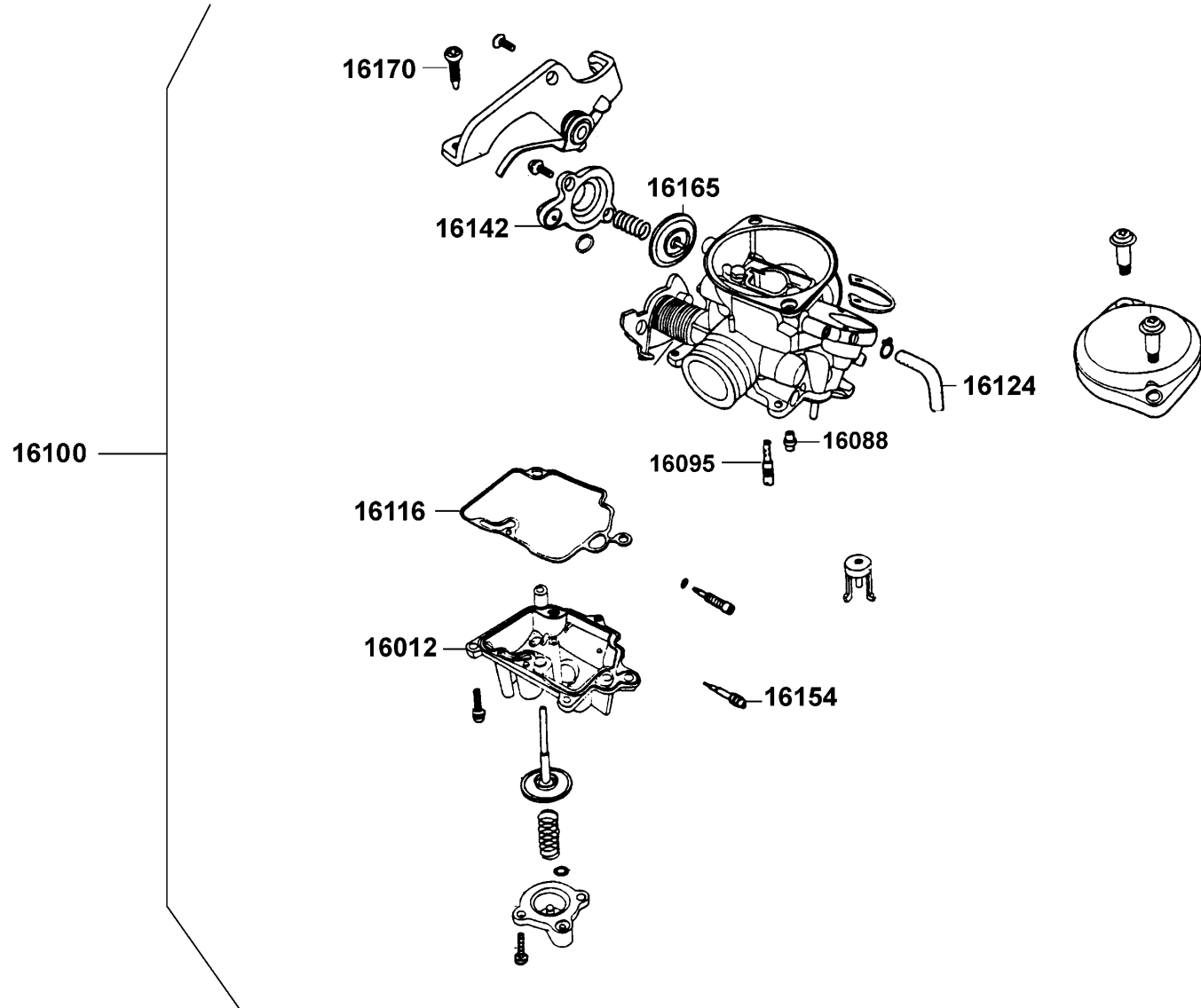
Transmission



Sales mark	Ref no	Part no	Ver	Description	Reg description	Regd no	<b>E08</b>
	21200	21200-KFA1-900	0	CASE COMP MISSION	CASE COMP MISSION	1	
	21395	21395-KNBN-C10	0	GASKET MISSION CASE@A	GASKET MISSION CASE@A	1	
	23411	23411-LBD6-E00	2	SHAFT DRIVE	SHAFT DRIVE	1	
	23420	23420-LBD6-E00	3	SHAFT COMP COUNTER	SHAFT COMP COUNTER	1	
	23431	23431-KNBN-9010	0	SHAFT FINAL	SHAFT FINAL	1	
	23432	23432-LBD6-E00	2	GEAR FINAL	GEAR FINAL	1	
	90429	90429-KNBN-901	0	WASHER SIDE 12MM	WASHER SIDE 12MM	1	
	91004	91004-KN2-9020-M1	0	BRG BALL RADIAL 6201	BRG BALL RADIAL 6201	2	
	91009	91009-GLE0-004	1	BRG BALL RADIAL 6004 UU	BRG BALL RADIAL 6004 UU	1	
	91255	91255-LDC8-E10	4	OIL SEAL 27*42*7	OIL SEAL 27*42*7	1	
	94301	94301-10200	0	DOWEL PIN 10*20	DOWEL PIN 10*20	2	
	94510	94510-20000	0	CIR CLIP EX 20	CIR CLIP EX 20	1	

E09

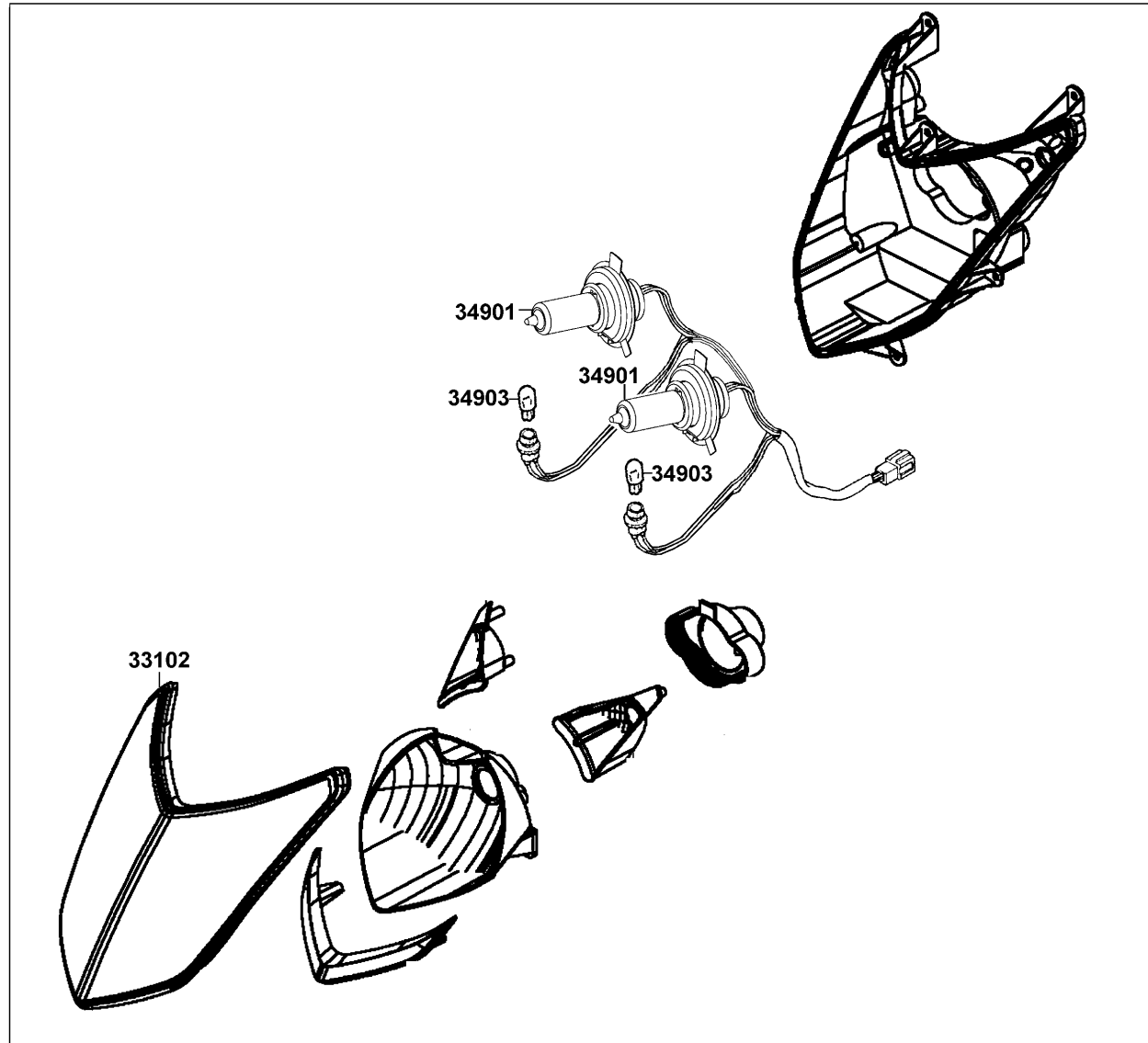
Carburetor



Sales mark	Ref no	Part no	Ver	Description	Reg description	Regd no	<b>E09</b>
	16012	16012-LDC8-E10	3	CHAMBER COMPL FLOAT	CHAMBER COMPL FLOAT	1	
	16088	16088-KEC3-900	1	JET NEEDLE	JET NEEDLE	1	
	16095	16095-KEC3-900	2	JET SLOW	JET SLOW	1	
	16100	16100-LDC8-E10	0	CARBURETOR ASSY	CARBURETOR ASSY	1	
	16116	16116-KGC5-900	1	PACKING FLOAT CHAMBER	PACKING FLOAT CHAMBER	1	
	16124	16124-KEC3-900	1	TUBE COMPL 3.5*300	TUBE COMPL 3.5*300	1	
	16142	16142-KGC5-900	1	COVER ACV	COVER ACV	1	
	16154	16154-KGC5-900	3	SCREW IDLE ADJUST	SCREW IDLE ADJUST	1	
	16165	16165-KGC5-900	1	DIAPHRAGM	DIAPHRAGM	1	
	16170	16170-KGC5-900	2	SCREW THORRRLE ADJ	SCREW THORRRLE ADJ	1	

F01

# Head Light



93903-35220\*8



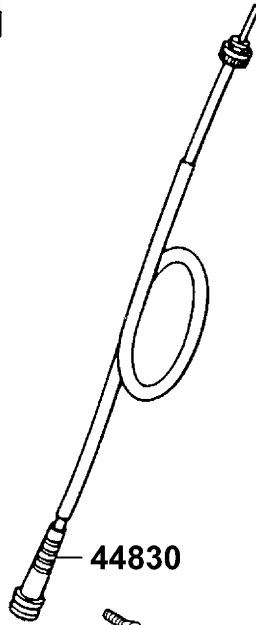
33100

Sales mark	Ref no	Part no	Ver	Description	Reg description	Regd no	<b>F01</b>
	33100	33100-LGB5-E10	0	LIGHT ASSY HEAD	LIGHT ASSY HEAD	1	
	33102	33102-LGB5-E10	0	"LENS,HEAD LIGHT"	"LENS,HEAD LIGHT"	1	
	34901	34901-LDC8-E10	0	BULB HEAD LIGHT	BULB HEAD LIGHT	2	
	34903	34903-LDC8-E10	0	BULB POSITION	BULB POSITION	2	
	93903	93903-35220	0	SCREW TAPPING 5*12	SCREW TAPPING 5*12	8	

F02

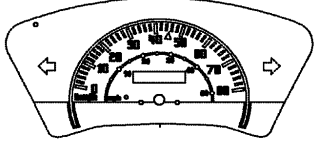
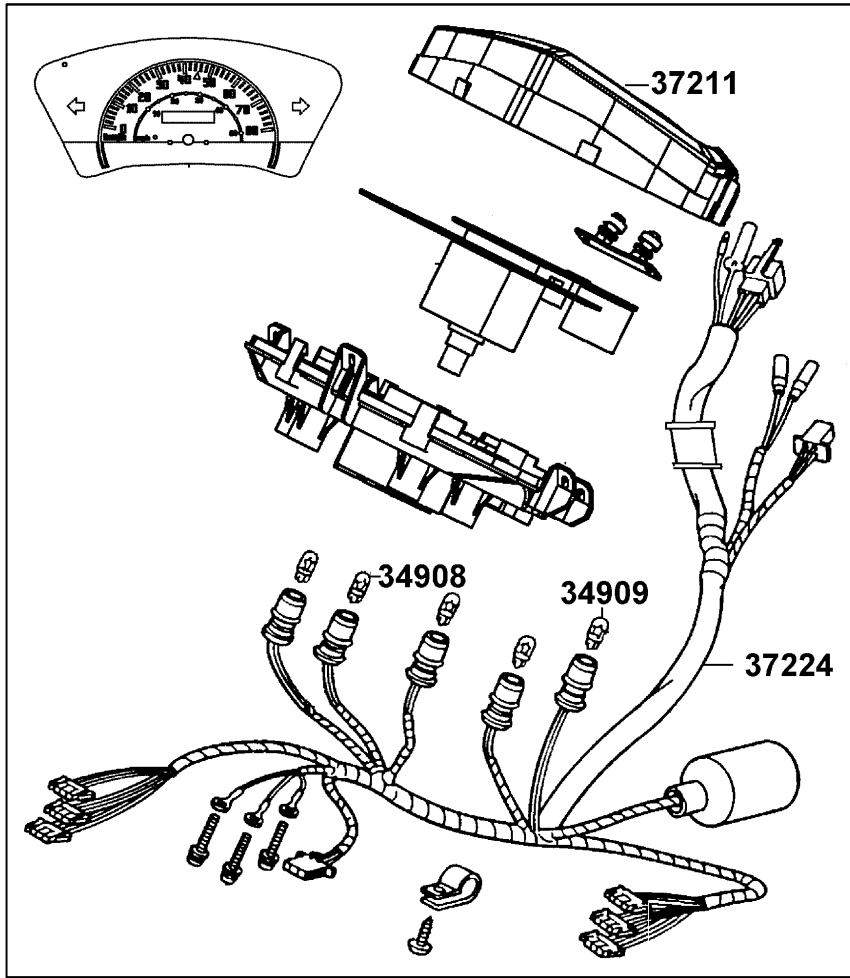
Speedometer

38300



44830

93700-05018-0H



37211

37200

34908

34909

37224

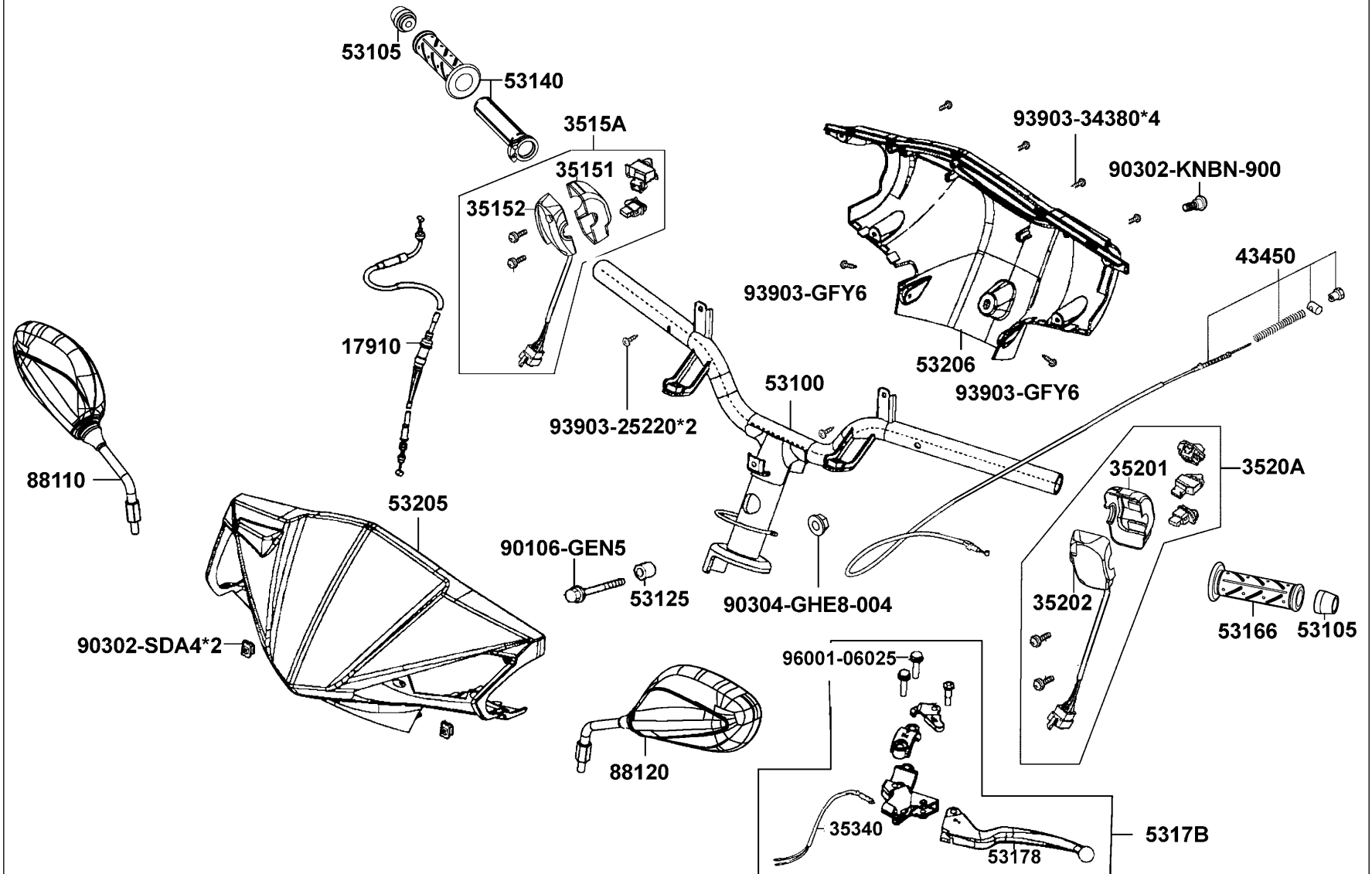
93903-34380 \* 6



Sales mark	Ref no	Part no	Ver	Description	Reg description	Regd no	F02
	34908	34908-LEJ2-E00	0	BULB WEDGE BASE T10	BULB WEDGE BASE T10	3	
	34909	34909-LEJ2-E00	0	BULB WEDGE BASE T10	BULB WEDGE BASE T10	2	
	37200	37200-LGB5-E10	0	SPEED METER ASSY	SPEED METER ASSY	1	
	37211	37211-LGB5-E10	0	LENS COMP.METER	LENS COMP.METER	1	
	37224	37224-LGB5-E10	0	"SOCKET COMP.,METER"	"SOCKET COMP.,METER"	1	
	38300	38300-KECE-9000	1	RELAY ASSY WINKER	RELAY ASSY WINKER	1	
	44830	44830-LGB5-E10	0	CABLE COMP SPDMT	CABLE COMP SPDMT	1	
	93700	93700-05018-0H	0	SCREW OVAL 5*18	SCREW OVAL 5*18	1	
	93903	93903-34380	0	SCREW TAPPING 4*12	SCREW TAPPING 4*12	6	

F03

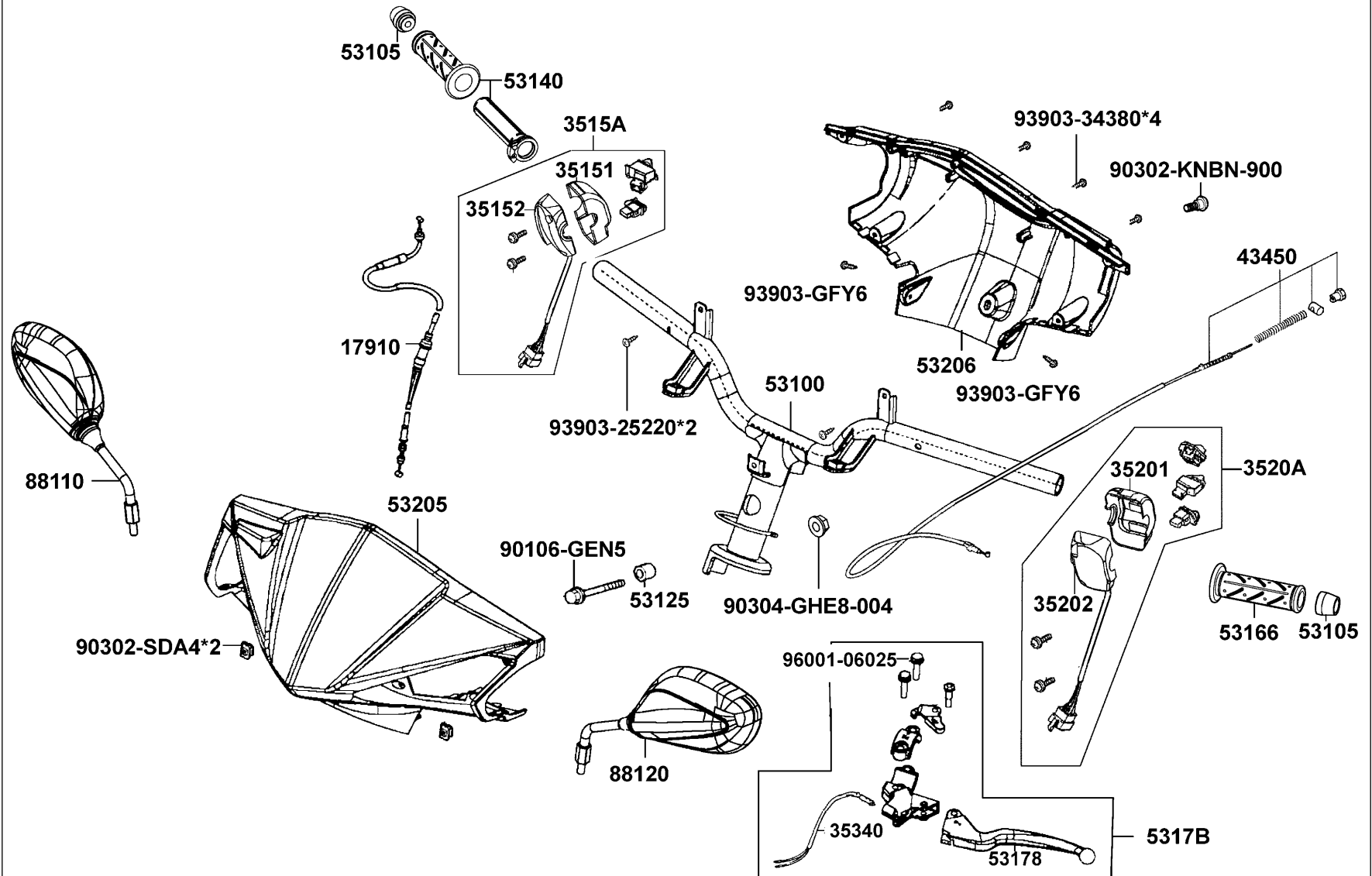
# Handle Steering Handle Cover



Sales mark	Ref no	Part no	Ver	Description	Reg description	Regd no	F03
	17910	17910-LDC8-E10	0	CABLE COMP THROT	CABLE COMP THROT	1	
	35151-LGB5	35151-LGB5-E10	1	FR CASE RH HNDL COMP SW	FR CASE RH HNDL COMP SW	1	
	35152	35152-KGBG-900	2	RR CASE RH HNDL COMP SW	RR CASE RH HNDL COMP SW	1	
	3515A	3515A-LGB5-E10	3	SW ASSY RH HNDL COMP	SW ASSY RH HNDL COMP	1	
	35201	35201-LGB5-E10	1	FR CASE LH HNDL COMP SW	FR CASE LH HNDL COMP SW	1	
	35202	35202-KGBG-900	3	RR CASE LH HNDL COMP SW	RR CASE LH HNDL COMP SW	1	
	3520A	3520A-LGB5-E10	1	SW ASSY LH HNDL COMP	SW ASSY LH HNDL COMP	1	
	35340	35340-KKJ9-0100	4	SW ASSY FR STOP	SW ASSY FR STOP	1	
	43450	43450-LDC8-E10	1	CABLE COMP RR BRK	CABLE COMP RR BRK	1	
	53100	53100-LGB5-E10	1	HANDLE COMP STRG	HANDLE COMP STRG	1	
	53105	53105-KNBN-9100	1	END STRG HANDLE	END STRG HANDLE	2	
	53125	53125-GEN5-901	0	COLLAR HANDLE SET	COLLAR HANDLE SET	1	
	53140	53140-KNBN-960	0	GRIP COMP THROT	GRIP COMP THROT	1	
	53166	53166-KNBN-9110	0	GRIP L HANDLE	GRIP L HANDLE	1	
	53178	53178-LGB6-E10	0	"LEVER L ,STRG HANDL"	"LEVER L ,STRG HANDL"	1	
	5317B	5317B-LGB6-E10	0	"BRKT ASSY,HNDL LH"	"BRKT ASSY,HNDL LH"	1	
**	53205	53205-LGB5-E10	1	COVER HANDLE FR	COVER HANDLE FR	1	
**	53206	53206-LGB5-E10	0	COVER HANDLE RR	COVER HANDLE RR	1	
	88110	88110-LEB5-C10	1	MIRROR ASSY R BACK	MIRROR ASSY R BACK	1	
	88120	88120-LEB5-C10	1	MIRROR ASSY L BACK	MIRROR ASSY L BACK	1	

F03

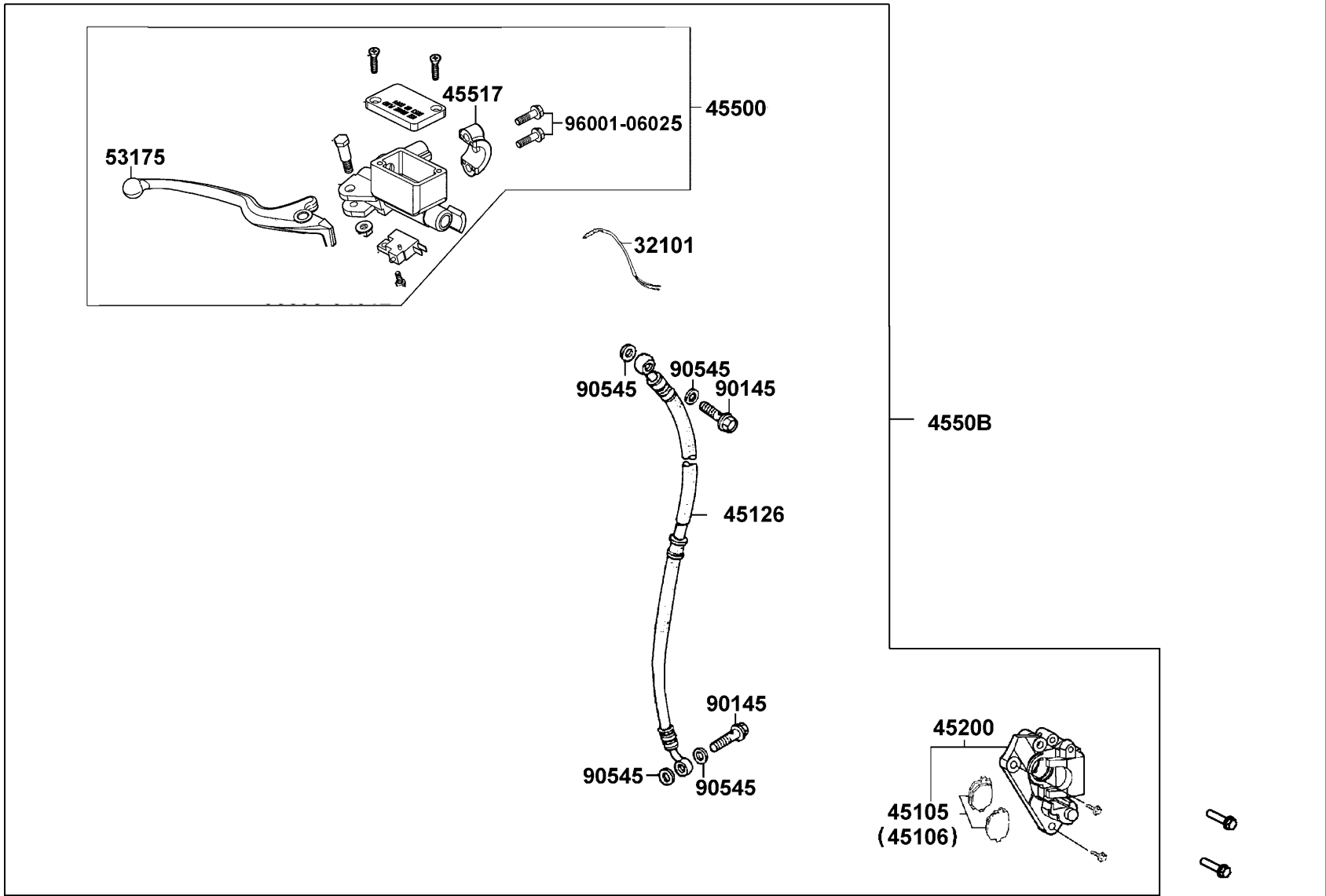
# Handle Steering Handle Cover



Sales mark	Ref no	Part no	Ver	Description	Reg description	Regd no	<b>F03</b>
	90106	90106-GEN5-901	0	BOLT FLANGE 10*50	BOLT FLANGE 10*50	1	
	90302-KNBN	90302-KNBN-900	1	BOLT PAN 5*10	BOLT PAN 5*10	1	
#	90302-SDA4	90302-SDA4-004	1	NUT SPRING 4MM	NUT SPRING 4MM	2	
#	90304	90304-GHE8-004	0	NUT U 10MM	NUT U 10MM	1	
	93903-25220	93903-25220	0	SCREW TAPPING 5*12 (C)	SCREW TAPPING 5*12 (C)	2	
	93903-34380	93903-34380	0	SCREW TAPPING 4*12	SCREW TAPPING 4*12	4	
	93903-GFY6	93903-GFY6-900	1	SCREW TAPPING 4*14	SCREW TAPPING 4*14	2	
	96001	96001-06025-06	0	BOLT FLANGE 6*25	BOLT FLANGE 6*25	2	

F04

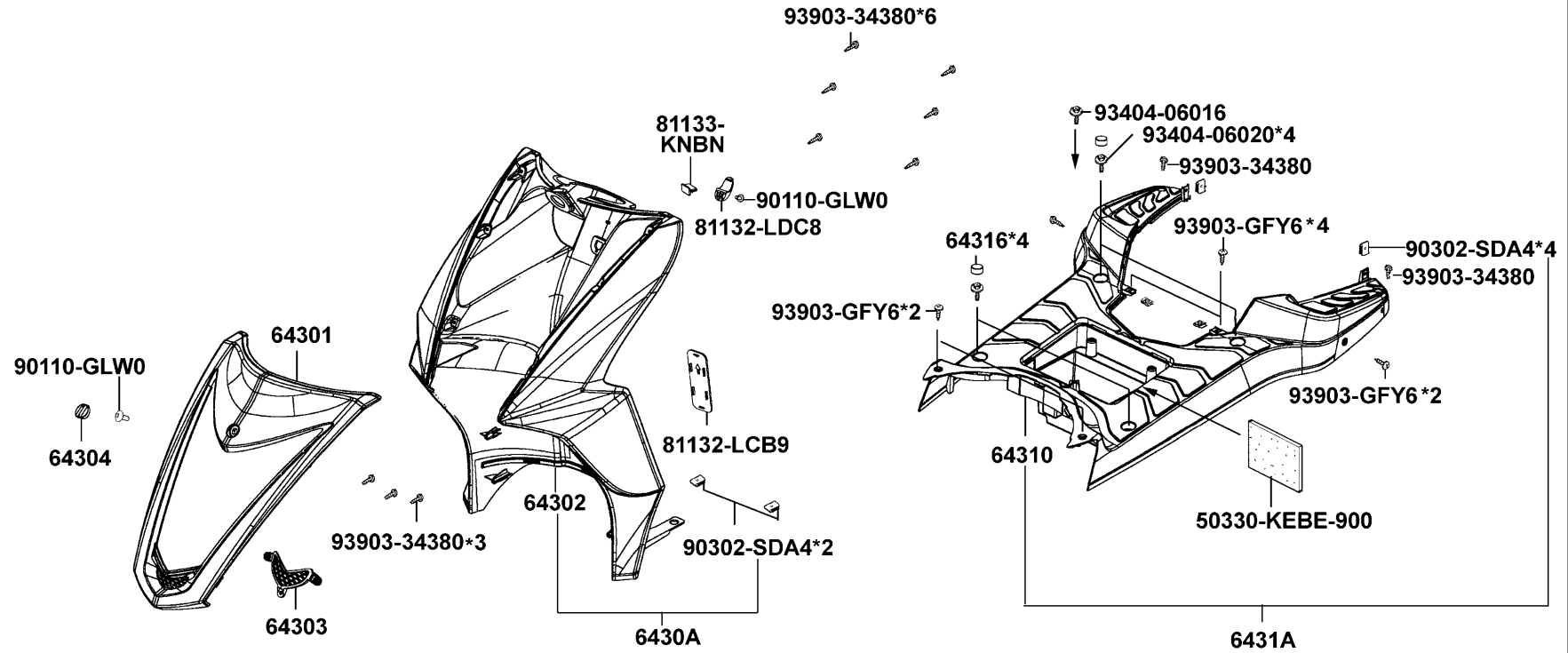
# Brake Master Cylinder



Sales mark	Ref no	Part no	Ver	Description	Reg description	Regd no	<b>F04</b>
	32101	32101-GFY6-901	1	SUB CORD R/H	SUB CORD R/H	1	
	45105	45105-LDC8-305	0	PAD COMPA	PAD COMPA	1	
	45106	45106-LDC8-E1A	0	PAD COMPA	PAD COMPA	0	
	45126	45126-LGB5-E10	2	HOSE ASSY FR BRK	HOSE ASSY FR BRK	1	
	45200	45200-LGB5-E10	0	CALIPER ASSY L FR	CALIPER ASSY L FR	1	
	45500	45500-LDC8-E10	1	M/C ASSY FR	M/C ASSY FR	1	
	4550B	4550B-LGB5-E10	0	SUB ASSY FR BRK	SUB ASSY FR BRK	1	
	45517	45517-KFAF-910	0	HOLDER M/C	HOLDER M/C	1	
	53175	53175-LDC8-E10	1	LEVER R STRG HNDL	LEVER R STRG HNDL	1	
	90131	90131-GLW0-9110	0	BOLT FLANGE 8*35	BOLT FLANGE 8*35	2	
	90145	90145-9A61-011	1	OIL BOLT 10*22	OIL BOLT 10*22	2	
	90545	90545-3L00-001	2	WASHER OIL BOLT	WASHER OIL BOLT	4	
	96001	96001-06025-00	0	BOLT FLANGE SH 6*25	BOLT FLANGE SH 6*25	2	

F05

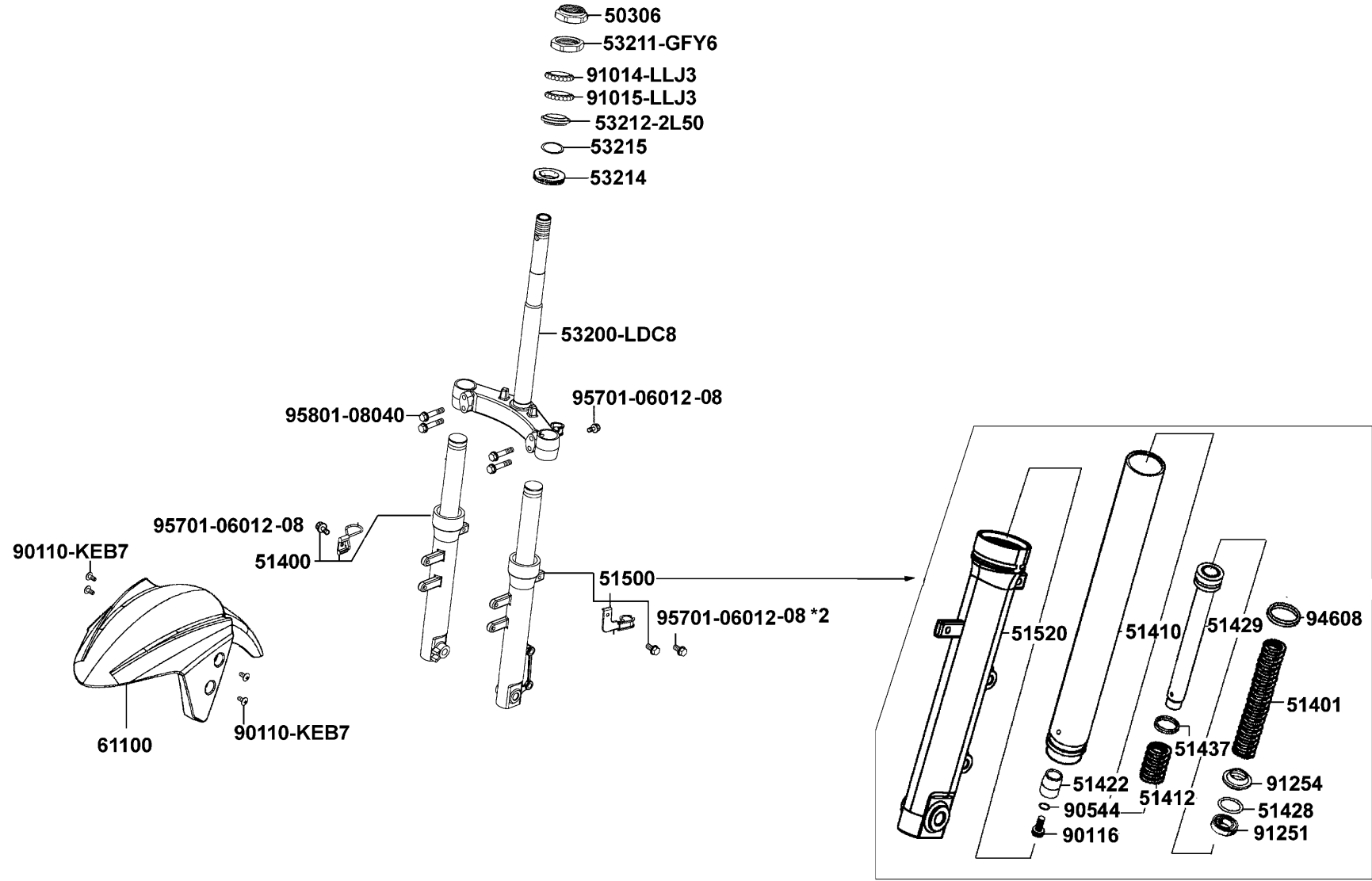
Front Cover Front Fender



Sales mark	Ref no	Part no	Ver	Description	Reg description	Regd no	F05
	50330	50330-KEBE-900	0	SEAL BATTERY FR	SEAL BATTERY FR	1	
**	64301	64301-LGB5-E10	1	COVER FRONT	COVER FRONT	1	
**	64303	64303-LGB5-E10	0	GRILL FRONT	GRILL FRONT	1	
	64304	64304-LGB5-E10	1	CAP FRONT COVER	CAP FRONT COVER	1	
	6430A	6430A-LGB5-E10	0	"MOLD FRONT ASSY.,"	"MOLD FRONT ASSY.,"	1	
**	64316	64316-LCB9-C10	0	PLUG FLOOR	PLUG FLOOR	4	
	6431A	6431A-LGB5-E10	0	"FLOOR ASSY.,PANEL"	"FLOOR ASSY.,PANEL"	1	
	81132-LCB9	81132-LCB9-C10	0	Xc	Xc	1	
**	81132-LDC8	81132-LDC8-E10	0	HOOK LUGGAGE	HOOK LUGGAGE	1	
	81133	81133-KNBN-901	0	STOPPER LUGGAGE	STOPPER LUGGAGE	1	
	90110	90110-GLW0-001	0	SCREW SPECIAL 6*14	SCREW SPECIAL 6*14	2	
#	90302-SDA4-004	90302-SDA4-004	1	NUT SPRING 4MM	NUT SPRING 4MM	4	
	93404-06016	93404-06016-07	0	BOLT WASHER 6*16 (K)	BOLT WASHER 6*16 (K)	1	
	93404-06020	93404-06020-07	0	BOLT WASHER 6*20 (K)	BOLT WASHER 6*20 (K)	4	
	93903-34380	93903-34380	0	SCREW TAPPING 4*12	SCREW TAPPING 4*12	11	
	93903-GFY6	93903-GFY6-900	1	SCREW TAPPING 4*14	SCREW TAPPING 4*14	8	

F06

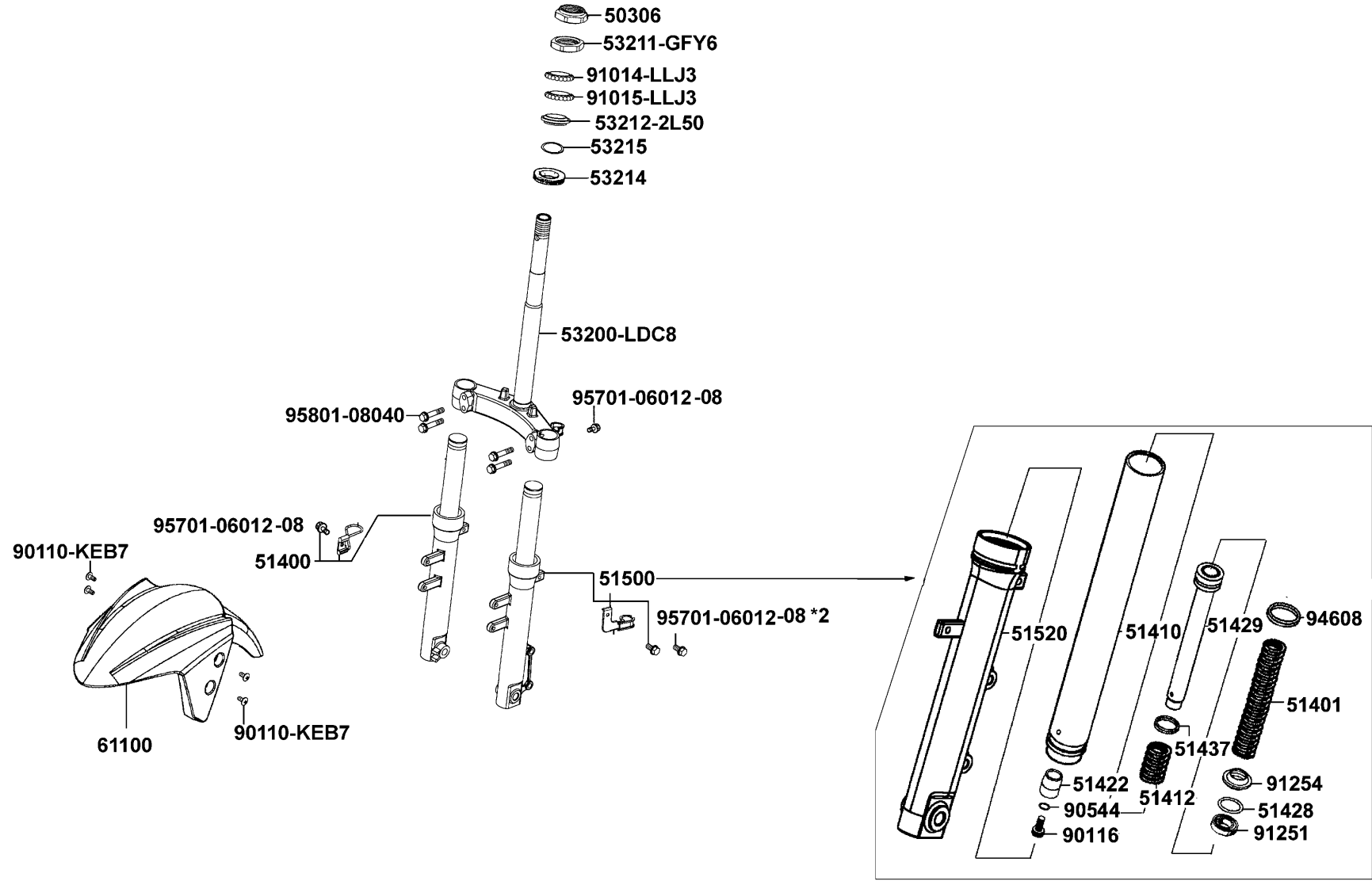
# Stem Steering Front Cushion



Sales mark	Ref no	Part no	Ver	Description	Reg description	Regd no	F06
	50306	50306-1F96-0010	0	NUT STRG STEM LOCK	NUT STRG STEM LOCK	1	
	51400	51400-LGB5-E10	0	FORK ASSY FR R/L	FORK ASSY FR R/L	1	
	51401	51401-LDC8-E10	0	SPRING	SPRING	1	
	51410	51410-LDC8-E10	0	FORK PIPE COMP	FORK PIPE COMP	1	
	51412	51412-LDC8-E10	0	REBOUND SPRING	REBOUND SPRING	1	
	51422	51422-LDC8-E10	0	OIL LOCK PIECE	OIL LOCK PIECE	1	
	51428	51428-LDC8-E10	0	OIL SEAL STOPPER RING	OIL SEAL STOPPER RING	1	
	51429	51429-LDC8-E10	0	PIPE SEAT	PIPE SEAT	1	
	51437	51437-LDC8-E10	0	PIPE SEAT	PIPE SEAT	1	
	51500	51500-LGB5-E10	0	FORK ASSY FR L	FORK ASSY FR L	1	
	51520	51520-LDC8-E10	0	BOTTOM CASE R	BOTTOM CASE R	0	
	53200	53200-LDC8-E10	0	STEM COMP STRG	STEM COMP STRG	1	
	53211	53211-GFY6-9400	1	RACE STRG TOP CONE	RACE STRG TOP CONE	1	
	53212	53212-2L50-011	1	RACE STRG BOT CONE	RACE STRG BOT CONE	1	
	53214	53214-2L50-001	0	DUST SEAL STRG(HEAD)	DUST SEAL STRG(HEAD)	1	
	53215	53215-2L50-001	0	WASH STRG HDL DUST-SEAL	WASH STRG HDL DUST-SEAL	1	
**	61100	61100-LGB5-E10	1	FENDER FRONT	FENDER FRONT	1	
	90110	90110-KEB7-900	1	SCREW SPECIAL 6*14	SCREW SPECIAL 6*14	4	
	90116	90116-LDC8-E10	0	BOLT	BOLT	1	
	90544	90544-LDC8-E10	0	PACKING (CU)B	PACKING (CU)B	1	

F06

# Stem Steering Front Cushion



Sales mark	Ref no	Part no	Ver	Description	Reg description	Regd no	<b>F06</b>
	91014	91014-LLJ3-E00	1	CASE STEERING TOPP	CASE STEERING TOPP	1	
	91015	91015-LLJ3-E00	1	CASE STEERING BOT	CASE STEERING BOT	1	
	91251	91251-LDC8-E10	0	OIL SEAL	OIL SEAL	1	
	91254	91254-LDC8-E10	0	DUST SEAL	DUST SEAL	1	
	94608	94608-LDC8-E10	0	O-RING B	O-RING B	1	
#	95701-06012-08	95701-06012-08	0	BOLT FLANGE 6*12	BOLT FLANGE 6*12	4	
	95801	95801-08040-08	0	BOLT FLANGE 8*40	BOLT FLANGE 8*40	4	

F07

Front Wheel

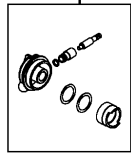
44306



90306-KLF0



44800



44600-LGB5

44710

42753

44601

44650

91258

44620

90912

45121

90754

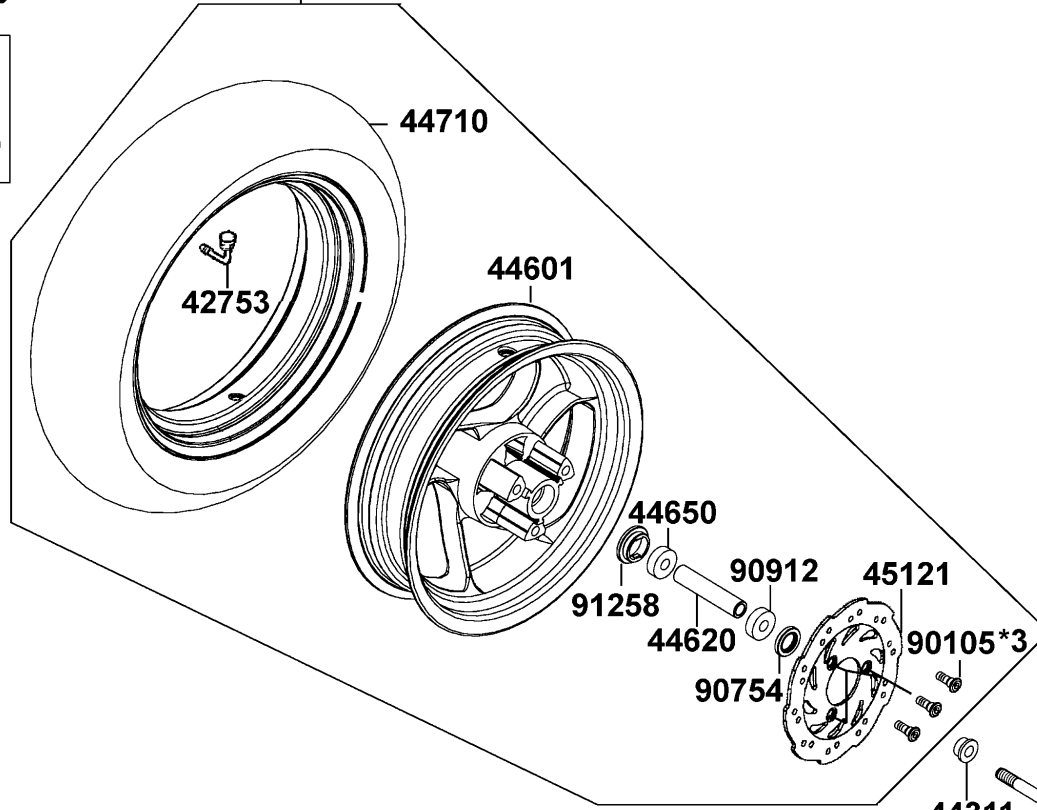
90105\*3

44311

90121



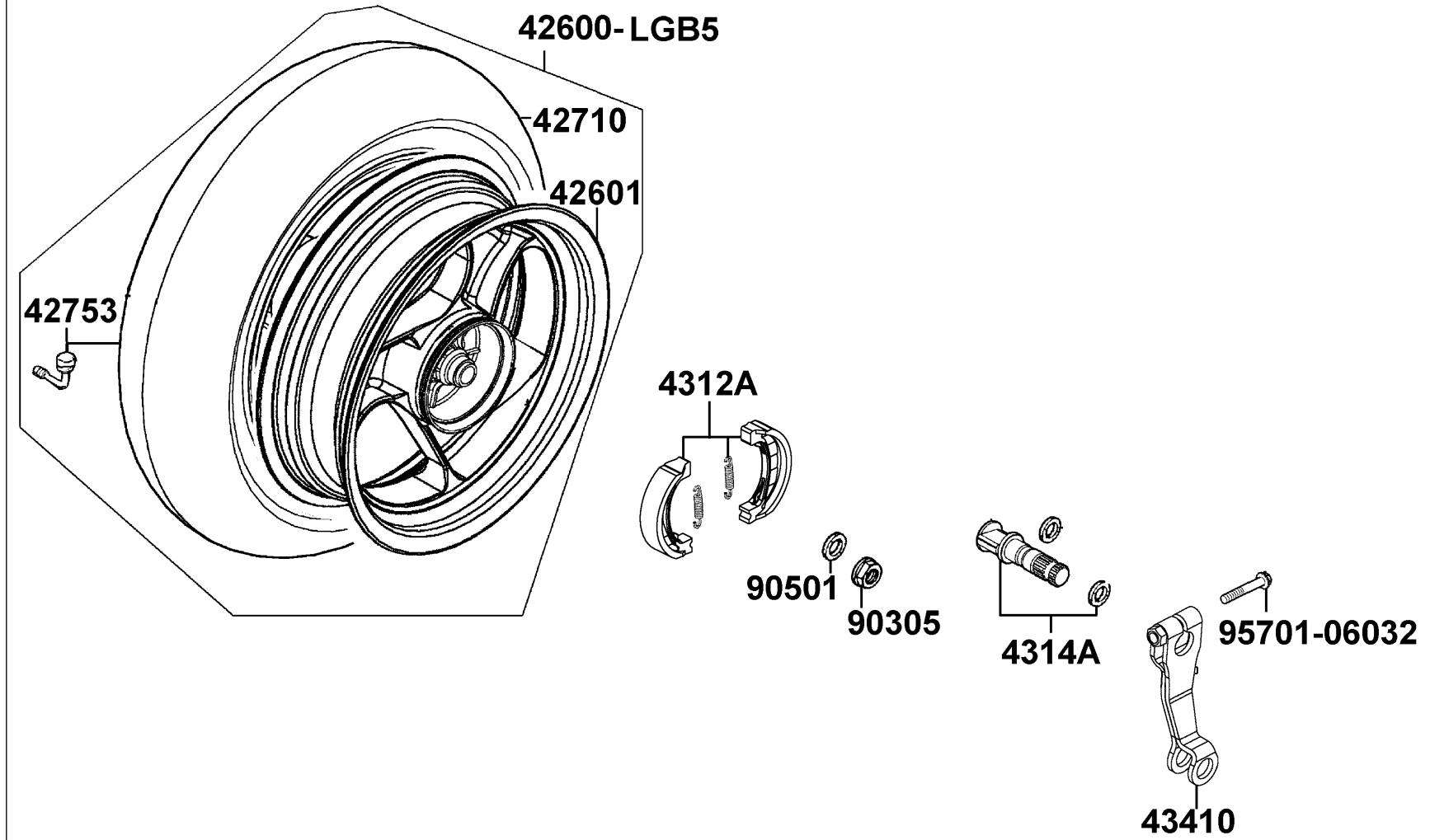
44305



Sales mark	Ref no	Part no	Ver	Description	Reg description	Regd no	F07
	42753	42753-HHJ1-9000	1	VALVE (TR 412) & CAP (C)	VALVE (TR 412) & CAP (C)	1	
	44305	44305-KGE2-E00	9	AXLE FR WHEEL PROTECT CAP L	AXLE FR WHEEL PROTECT CAP	1	
	44306	44306-KGE2-E00	9	AXLE FR WHEEL PROTECT CAP R	AXLE FR WHEEL PROTECT CAP	1	
	44311	44311-GLW0-W10	0	COLLAR FR WHEEL SIDE	COLLAR FR WHEEL SIDE	1	
	44600	44600-LGB5-E10	2	WHEEL ASSY FR	WHEEL ASSY FR	1	
	44601	44601-LGB5-E10	0	WHEEL COMP FR CAST	WHEEL COMP FR CAST	1	
	44620	44620-KEB7-E00	0	COLLAR FR DIST	COLLAR FR DIST	1	
	44650	44650-LGB5-3150	0	WHEEL SETFR	WHEEL SETFR	1	
	44710	44710-LDC8-E10	0	TIRE ASSY FR	TIRE ASSY FR	1	
	44800	44800-LDC8-E10	0	GEAR BOX ASSY SPDMT	GEAR BOX ASSY SPDMT	1	
	45121	45121-LGB5-E10	1	DISK FR BRK	DISK FR BRK	1	
	90105	90105-KCR3-001	1	BOLT FR DISK 8*24	BOLT FR DISK 8*24	3	
	90121	90121-KBE2-981	4	BOLT RR FORK PIVOT	BOLT RR FORK PIVOT	1	
	90306	90306-KLF0-004	4	NUT FLANGE 12MM	NUT FLANGE 12MM	1	
	90754	90754-GHC8-0000-M1	1	DUST SEAL 20*32*5	DUST SEAL 20*32*5	1	
	90912	90912-GHC8-0000-M1	0	BEARING 6201 (U) (NTN)	BEARING 6201 (U) (NTN)	2	
	91258	91258-KAM1-00A	1	SEAL SPDMT GEAR BOX	SEAL SPDMT GEAR BOX	1	

F08

Rear Wheel

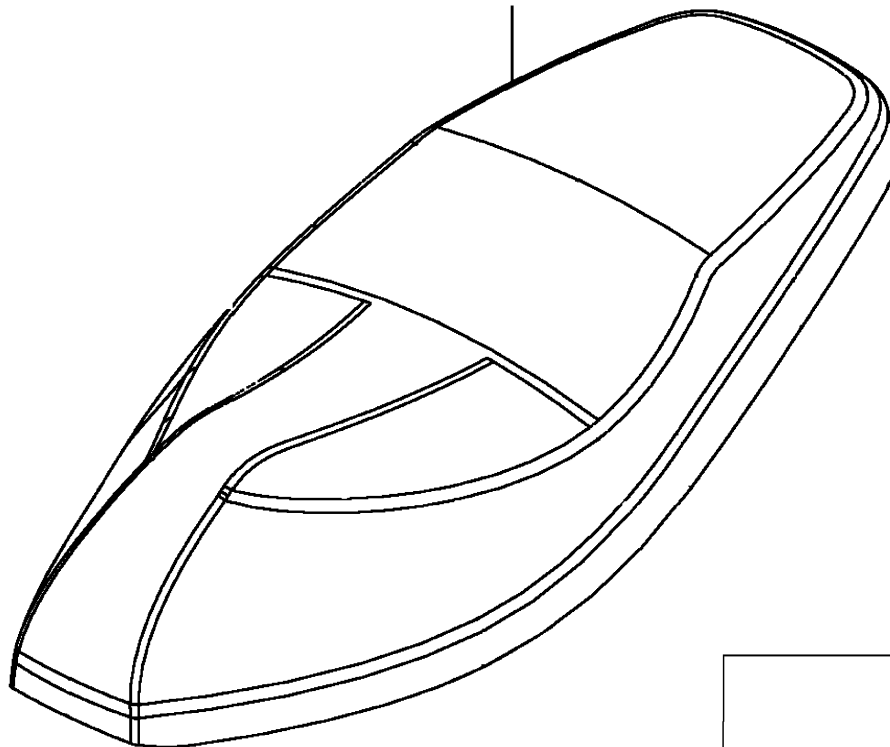


Sales mark	Ref no	Part no	Ver	Description	Reg description	Regd no	<b>F08</b>
42600		42600-LGB5-E10	1	WHEEL ASSYREAR	WHEEL ASSYREAR	1	
42601		42601-LGB5-E10	0	WHEEL CASTRR	WHEEL CASTRR	1	
42710		42710-LDC8-E10	0	"TIRE ASSY, RR"	"TIRE ASSY, RR"	1	
42753		42753-HHJ1-9000	1	VALVE (TR 412) & CAP (C)	VALVE (TR 412) & CAP (C)	1	
4312A		4312A-KXCX-900	8	SHOE ASSY RR BRAKE	SHOE ASSY RR BRAKE	1	
4314A		4314A-KKD6-E00	0	CAM ASSY RR BRAKE	CAM ASSY RR BRAKE	1	
43410		43410-KFA1-9000	0	ARM COMP RR BRAKE	ARM COMP RR BRAKE	1	
90305		90305-KNBN-9030-M2	0	NUT U 16MM(C)	NUT U 16MM(C)	1	
90501		90501-KNBN-901	0	WASHER 16MM	WASHER 16MM	1	
95701		95701-06032-08	0	BOLT FLANGE 6*32	BOLT FLANGE 6*32	1	

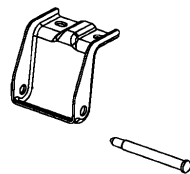
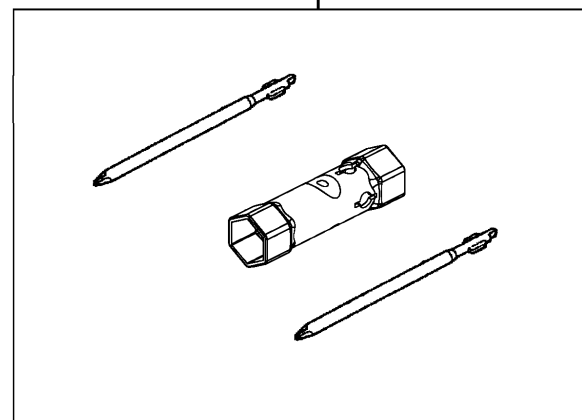
F09

Seat

77200



89010

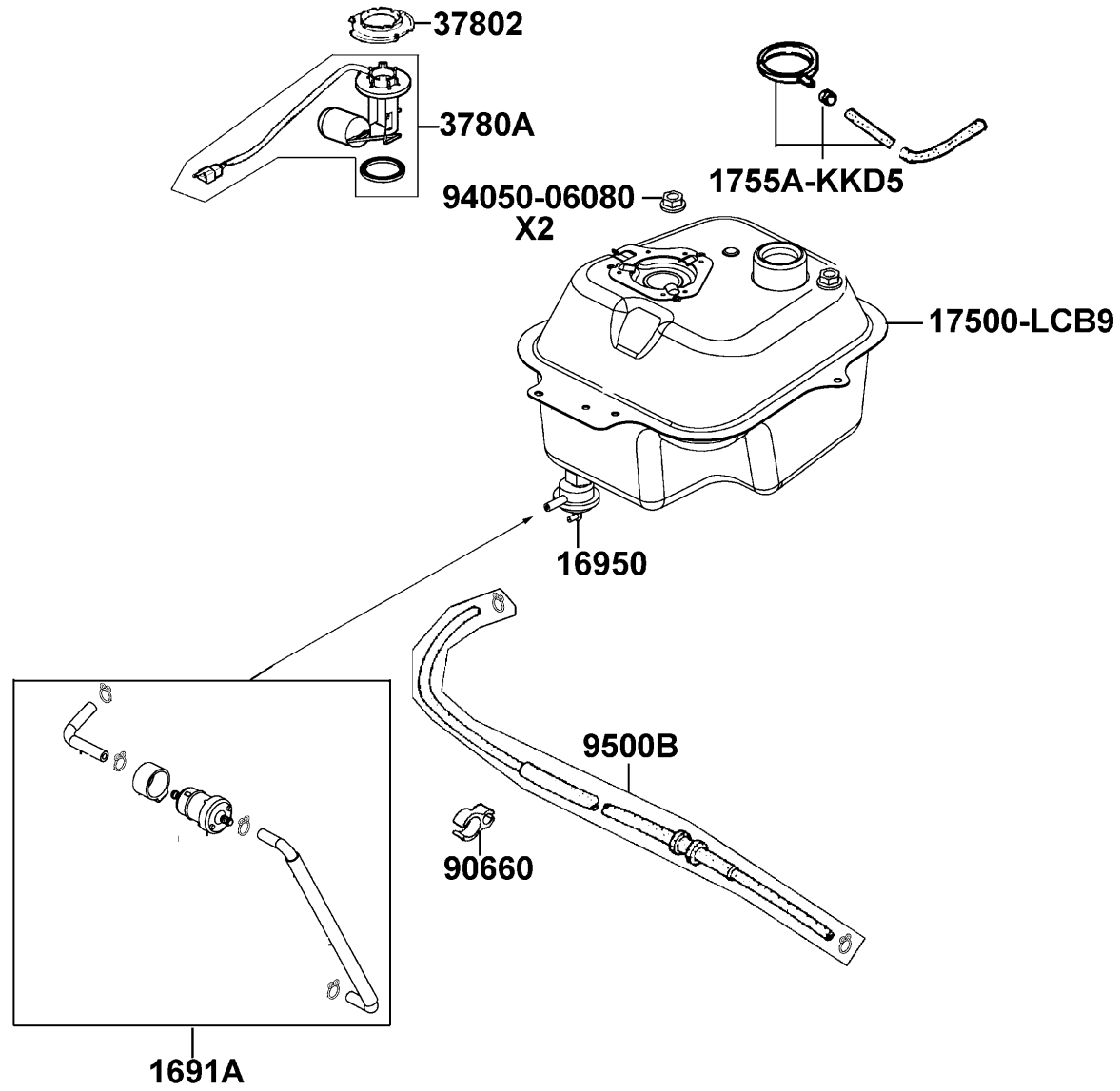


94050-06080

Sales mark	Ref no	Part no	Ver	Description	Reg description	Regd no	<b>F09</b>
	77200	77200-LGB6-E10	0	SEAT ASSY	SEAT ASSY	1	
	89010	89010-KGBG-C00	0	TOOL SET	TOOL SET	1	
#	94050	94050-06080	0	NUT FLANGE 6MM	NUT FLANGE 6MM	2	

F10

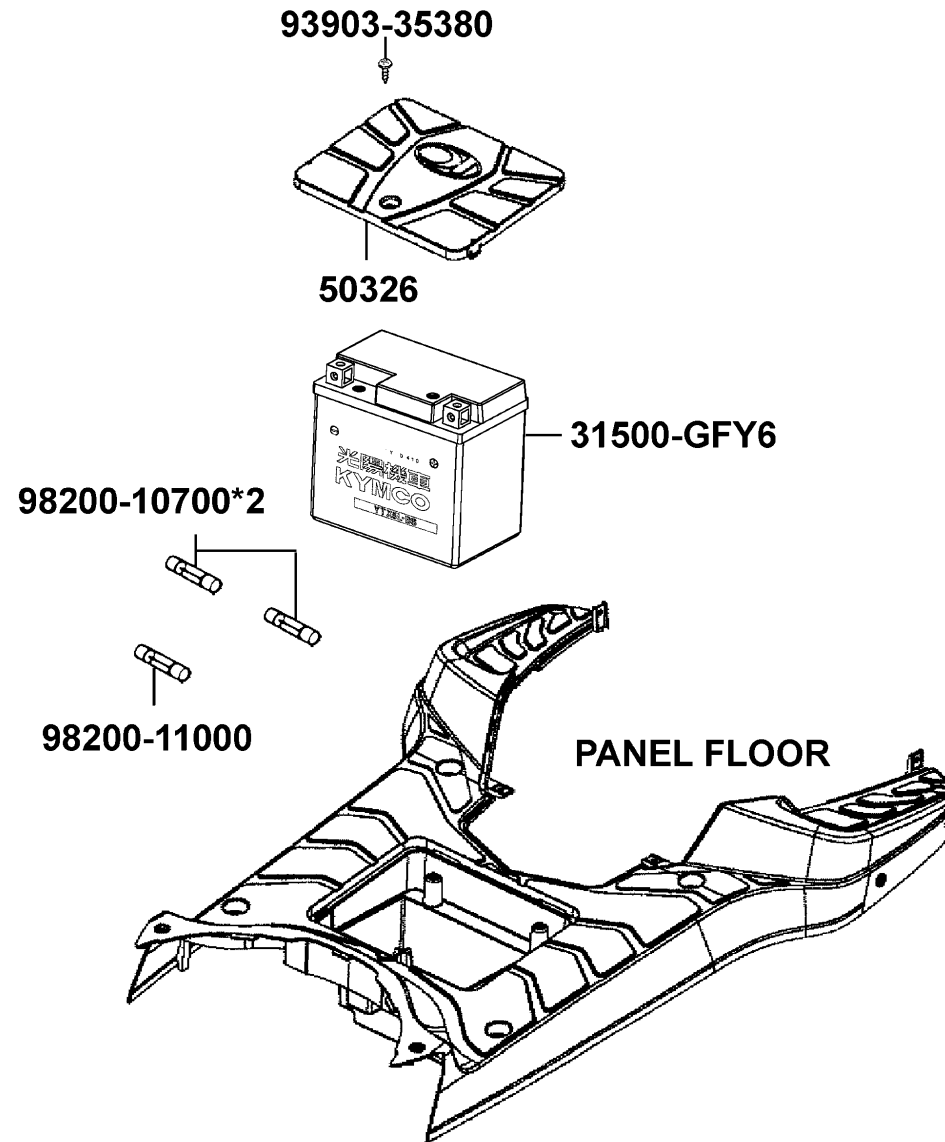
Fuel Tank



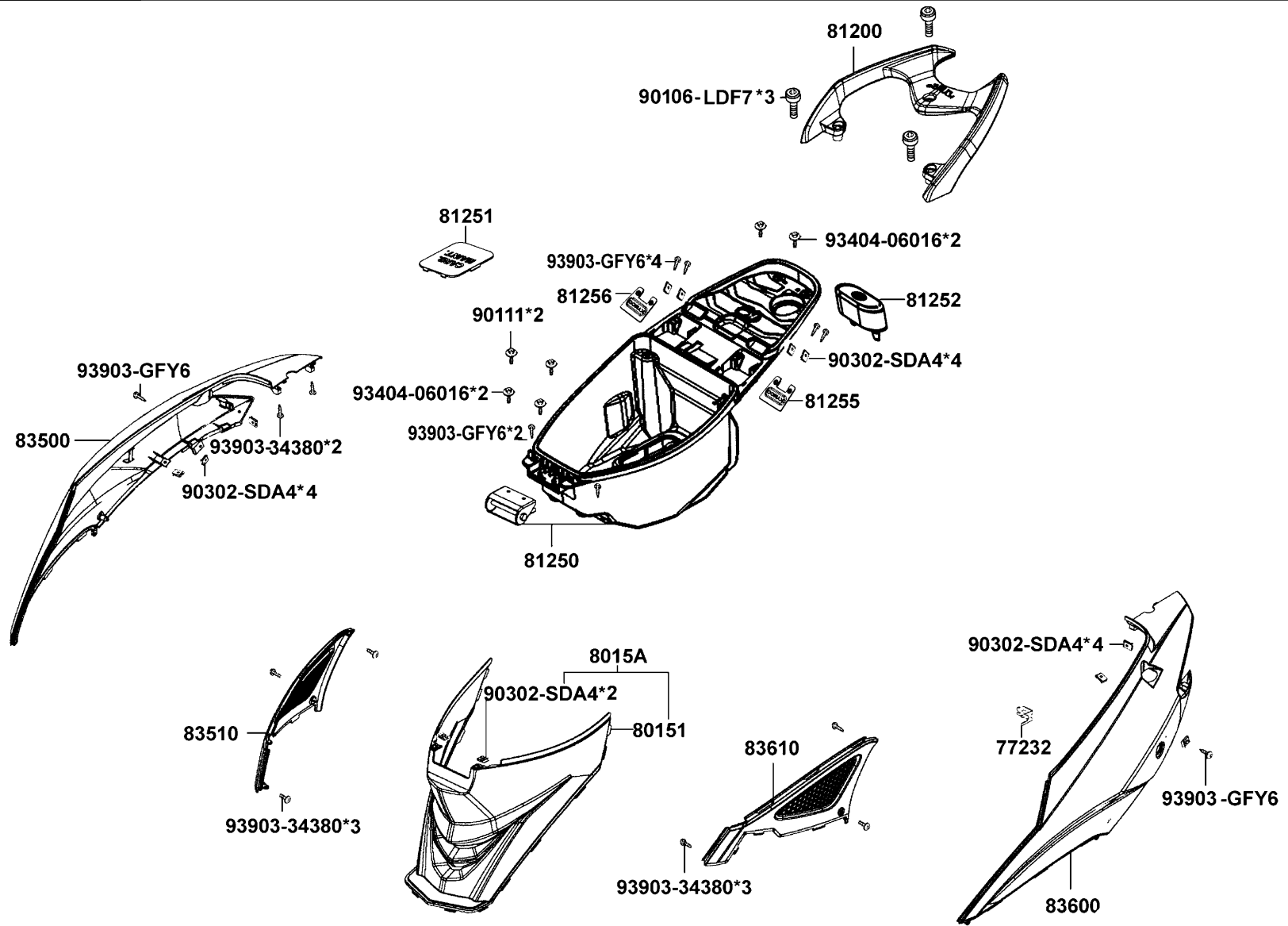
Sales mark	Ref no	Part no	Ver	Description	Reg description	Regd no	<b>F10</b>
	1691A	1691A-LDF7-E10	0	STRAINER ASSY FUEL	STRAINER ASSY FUEL	1	
	16950	16950-KKJ9-75A	3	AUTO COCK ASSY FUEL	AUTO COCK ASSY FUEL	1	
	17500	17500-LCB9-C10	0	TANK COMP FUEL	TANK COMP FUEL	1	
	1755A	1755A-KKD5-C10	1	TRAY ASSY FUEL CAP	TRAY ASSY FUEL CAP	1	
	37802	37802-GGA7-7010	0	RET FUEL UNIT	RET FUEL UNIT	1	
	3780A	3780A-LDC8-E10	0	FUEL UNIT ASSY	FUEL UNIT ASSY	1	
	90660	90660-KGBG-900	0	CLAMPER TUBE	CLAMPER TUBE	1	
#	94050	94050-06080	0	NUT FLANGE 6MM	NUT FLANGE 6MM	2	
	9500B	9500B-LDC8-E10	3	TUBE ASSY VACUUM	TUBE ASSY VACUUM	1	

F11

Battery



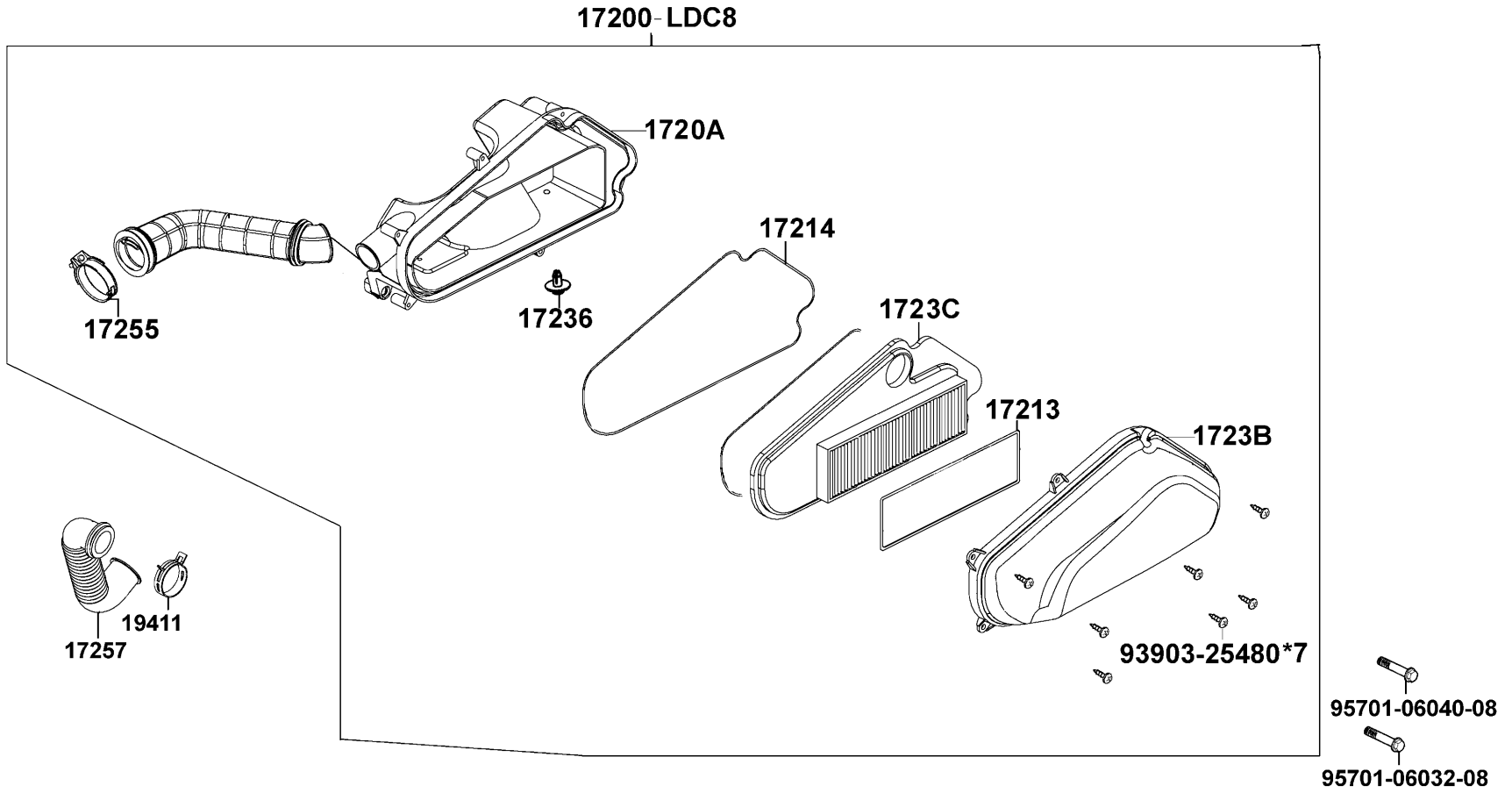
Sales mark	Ref no	Part no	Ver	Description	Reg description	Regd no	<b>F11</b>
	31500	31500-GFY6-9410	3	GTX7A-BS	GTX7A-BS	1	
	93903	93903-35380	0	SCREW TAPPING 5*16 (K)	SCREW TAPPING 5*16 (K)	1	
	98200-10700	98200-10700	0	FUSE A7	FUSE A7	2	
	98200-11000	98200-11000	0	FUSE 10A	FUSE 10A	1	



Sales mark	Ref no	Part no	Ver	Description	Reg description	Regd no	F12
	77232	77232-KCAC-901	2	SET SPG SEAT LOCK	SET SPG SEAT LOCK	1	
	8015A	8015A-LGB5-E10	0	"COVER ASSY., CENTER"	"COVER ASSY., CENTER"	1	
	81200	81200-LGB5-E10	0	CARRIER REAR	CARRIER REAR	1	
	81250	81250-LGB5-E10	1	BOX LUGGAGE	BOX LUGGAGE	1	
	81251	81251-LCB9-C10	0	LID CARB MAINT	LID CARB MAINT	1	
	81252	81252-LGB5-E10	1	BOX LUGGAGE RUBBER	BOX LUGGAGE RUBBER	2	
	81255	81255-LGB6-E10	0	COVER R BOX LUGGAGE	COVER R BOX LUGGAGE	1	
	81256	81256-LGB6-E10	0	COVER L BOX LUGGAGE	COVER L BOX LUGGAGE	1	
**	83500	83500-LGB5-E10	1	COVER R BODY SIDE	COVER R BODY SIDE	1	
**	83510	83510-LGB5-E10	0	GRILL R SIDE	GRILL R SIDE	1	
**	83600	83600-LGB5-E10	0	COVER L BODY SIDE	COVER L BODY SIDE	1	
**	83610	83610-LGB5-E10	0	COVER L SIDE	COVER L SIDE	1	
	90106	90106-LDF7-M00	0	BOLT SPECIAL 8*32MM	BOLT SPECIAL 8*32MM	0	
	90111	90111-1G87-00A	1	BOLT FLANGE 6MM	BOLT FLANGE 6MM	2	
#	90302-SDA4-004	90302-SDA4-004	1	NUT SPRING 4MM	NUT SPRING 4MM	14	
	93404	93404-06016-07	0	BOLT WASHER 6*16 (K)	BOLT WASHER 6*16 (K)	4	
	93903-34380	93903-34380	0	SCREW TAPPING 4*12	SCREW TAPPING 4*12	8	
	93903-GFY6	93903-GFY6-900	1	SCREW TAPPING 4*14	SCREW TAPPING 4*14	8	

F13

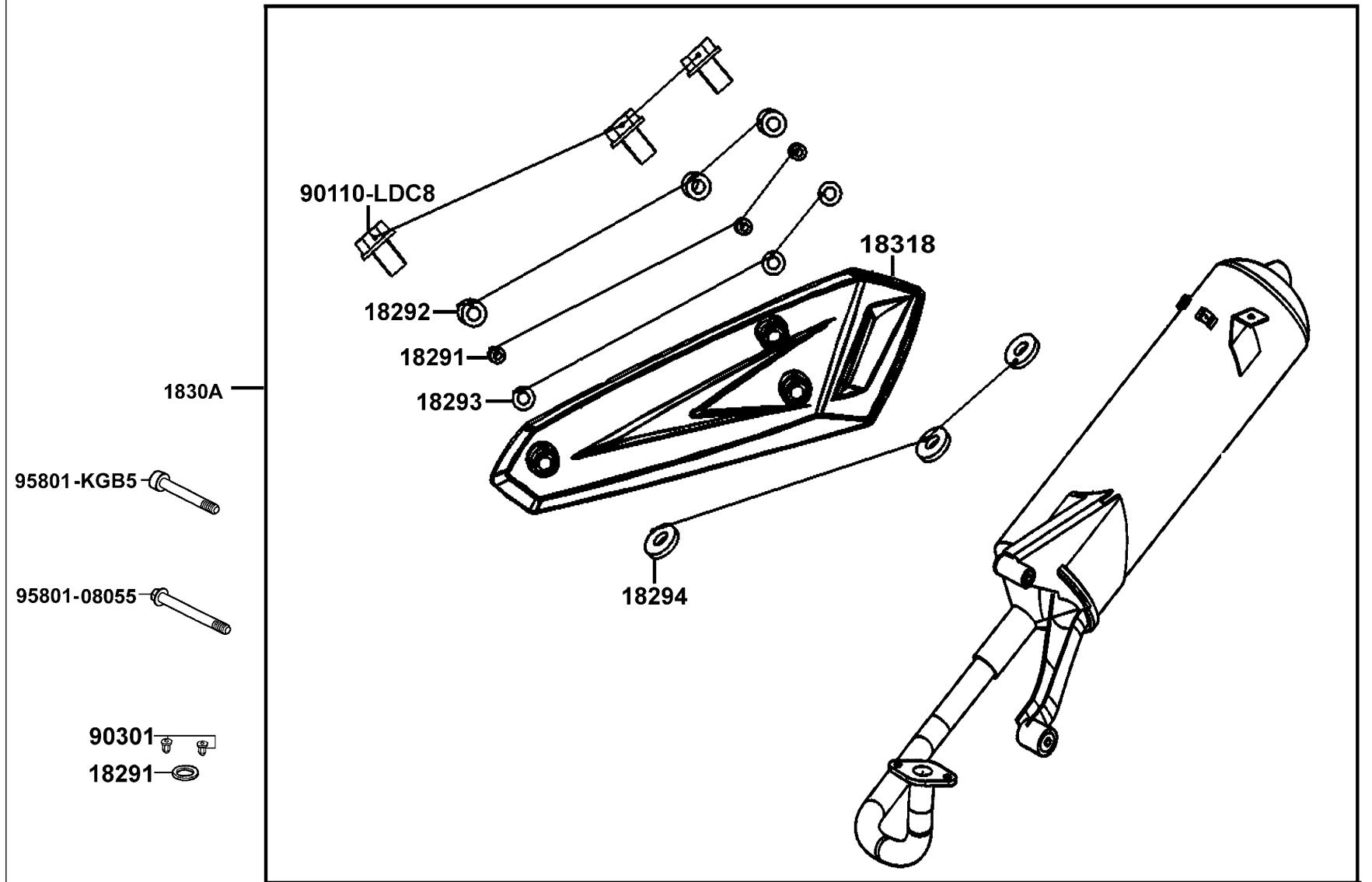
Air Cleaner



Sales mark	Ref no	Part no	Ver	Description	Reg description	Regd no	<b>F13</b>
17200		17200-LDC8-E10	1	AIR/C ASSY	AIR/C ASSY	1	
1720A		1720A-LDC8-E10	0	CASE ASSY AIR/C	CASE ASSY AIR/C	1	
17213		17213-LBD6-E00	1	SEAL AIR/C ELEMENT	SEAL AIR/C ELEMENT	1	
17214		17214-LBD6-E00	1	SEAL AIR/C CASE	SEAL AIR/C CASE	0	
17236		17236-KFBF-910	1	PLATE AIR/C CASE	PLATE AIR/C CASE	1	
1723B		1723B-LBD6-E00	1	COVER ASSY AIR/C	COVER ASSY AIR/C	1	
1723C		1723C-LBD6-E00	0	ELEMENT ASSY AIR/C	ELEMENT ASSY AIR/C	1	
17255		17255-KGBG-900	1	BAND ASSY AIR/C CONN TUBE	BAND ASSY AIR/C CONN TUBE	1	
17257		17257-LDC8-E00	1	DUCT AIR/C COVER	DUCT AIR/C COVER	1	
19411		19411-KNBN-900	1	CLIP HOSE	CLIP HOSE	1	
93903		93903-25480	0	SCREW TAPPING 5*20 (K)	SCREW TAPPING 5*20 (K)	7	
95701-06032		95701-06032-08	0	BOLT FLANGE 6*32	BOLT FLANGE 6*32	1	
95701-06040		95701-06040-08	0	BOLT FLANGE 6*40	BOLT FLANGE 6*40	1	

F14

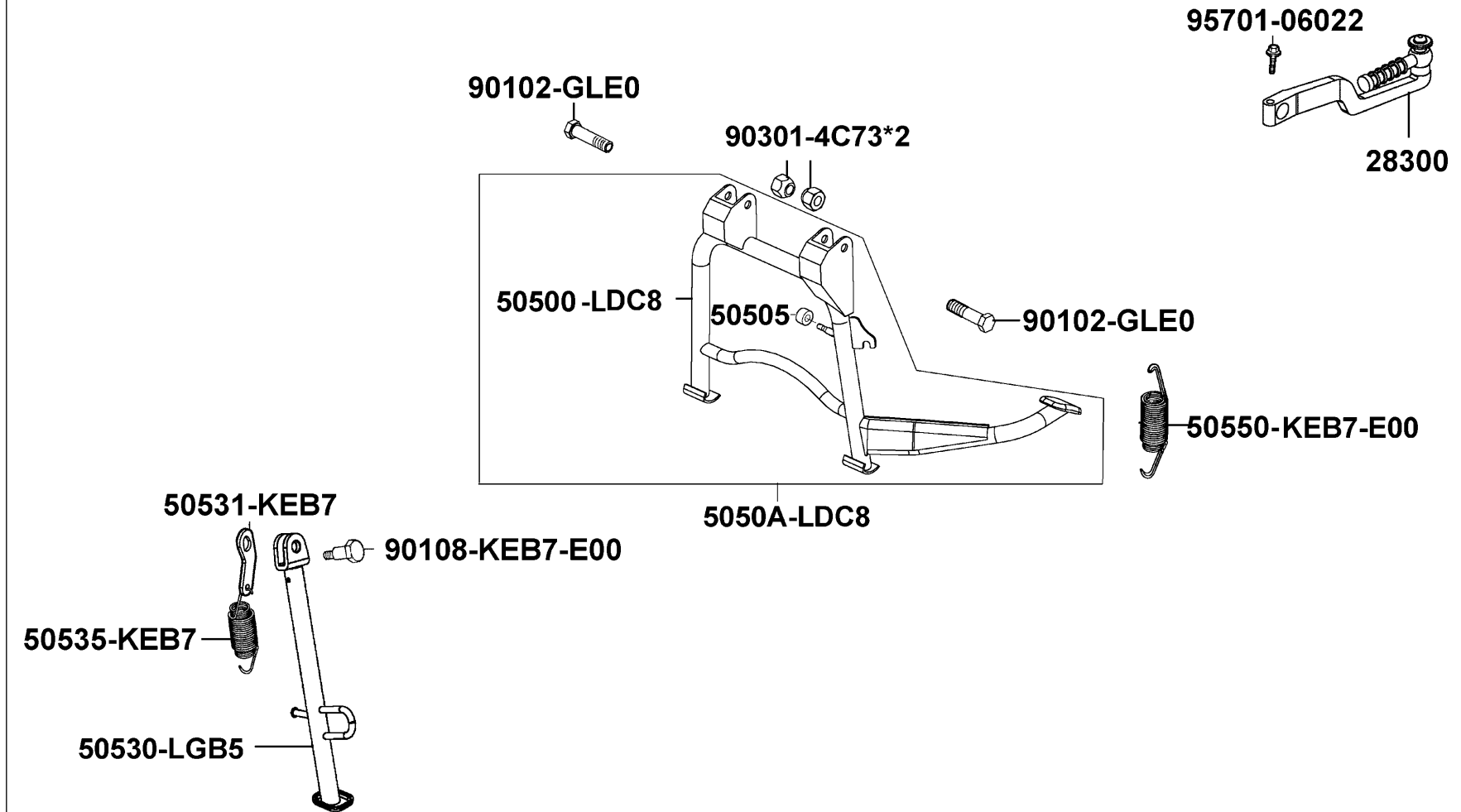
Exhaust Muffler



Sales mark	Ref no	Part no	Ver	Description	Reg description	Regd no	<b>F14</b>
	18291-GGA7	18291-GGA7-080	0	GASKET EXH PIPE	GASKET EXH PIPE	1	
	18291-KEBE	18291-KEBE-900	0	COLLAR	COLLAR	3	
	18292	18292-KEBE-900	0	PACKING PROTECTOR	PACKING PROTECTOR	3	
	18293	18293-KEBE-900	0	RUBBER PKG PROTR	RUBBER PKG PROTR	3	
	18294	18294-KEBE-900	0	PACKING PROTECTOR	PACKING PROTECTOR	3	
	1830A	1830A-LGB5-E10	2	MUFFLER ASSY.	MUFFLER ASSY.	1	
	18318	18318-LDA6-900	1	PROTECTOR MUFFLER	PROTECTOR MUFFLER	1	
	90110	90110-LDC8-E10	0	SCREW SPECIAL 6X20	SCREW SPECIAL 6X20	3	
	90301	90301-KGBG-900	1	NUT CAP 6MM	NUT CAP 6MM	2	
	95801-08055	95801-08055-07	0	BOLT FLANGE 8*55 (K)	BOLT FLANGE 8*55 (K)	1	
	95801-KGB5	95801-KGB5-E00	1	BOLT FLANGE 8*60	BOLT FLANGE 8*60	1	

F15

Stand Kick Starter Arm

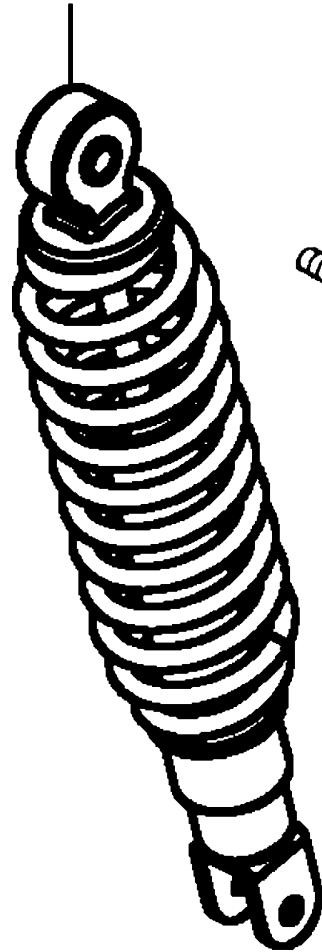


Sales mark	Ref no	Part no	Ver	Description	Reg description	Regd no	<b>F15</b>
**	28300	28300-KNBN-901	3	ARM ASSY KICK STARTER	ARM ASSY KICK STARTER	1	
	50500	50500-LDC8-E10	0	STAND COMP MAIN	STAND COMP MAIN	1	
	50505	50505-LAD9-900	1	STOPPER RUBBER	STOPPER RUBBER	1	
	5050A	5050A-LDC8-E10	0	STAND COMP MAIN	STAND COMP MAIN	1	
	50530	50530-LGB5-E10	1	SIDE STAND COMP	SIDE STAND COMP	1	
	50531	50531-KEB7-E00	1	PLATE SPRING STOPPER	PLATE SPRING STOPPER	1	
	50535	50535-KEB7-W10	3	SPRING COMP SIDE STAND	SPRING COMP SIDE STAND	1	
	50550	50550-KEB7-E00	1	SPG ASSY MAIN STAND	SPG ASSY MAIN STAND	1	
	90102	90102-GLE0-001	0	BOLT HINGE PIVOT	BOLT HINGE PIVOT	2	
	90108	90108-KEB7-E00	0	SCREW SIDE STAND PIVOT	SCREW SIDE STAND PIVOT	1	
	90301	90301-4C73-0040	4	NUT U 6MM(K)	NUT U 6MM(K)	2	
	95701	95701-06022-07	0	BOLT FLANGE 6*22 (K)	BOLT FLANGE 6*22 (K)	1	

F16

Rear Cushion

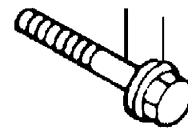
52400



95801-10035-08



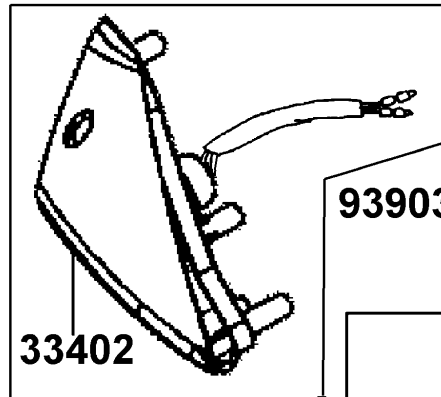
95801-08032-08



Sales mark	Ref no	Part no	Ver	Description	Reg description	Regd no	<b>F16</b>
**	52400	52400-LDC8-E10	2	CUSHION ASSY RR	CUSHION ASSY RR	1	
	95801-08032	95801-08032-08	0	BOLT FLANGE 8*32(C)	BOLT FLANGE 8*32(C)	1	
	95801-10035	95801-10035-08	0	BOLT FLANGE 10*35	BOLT FLANGE 10*35	1	

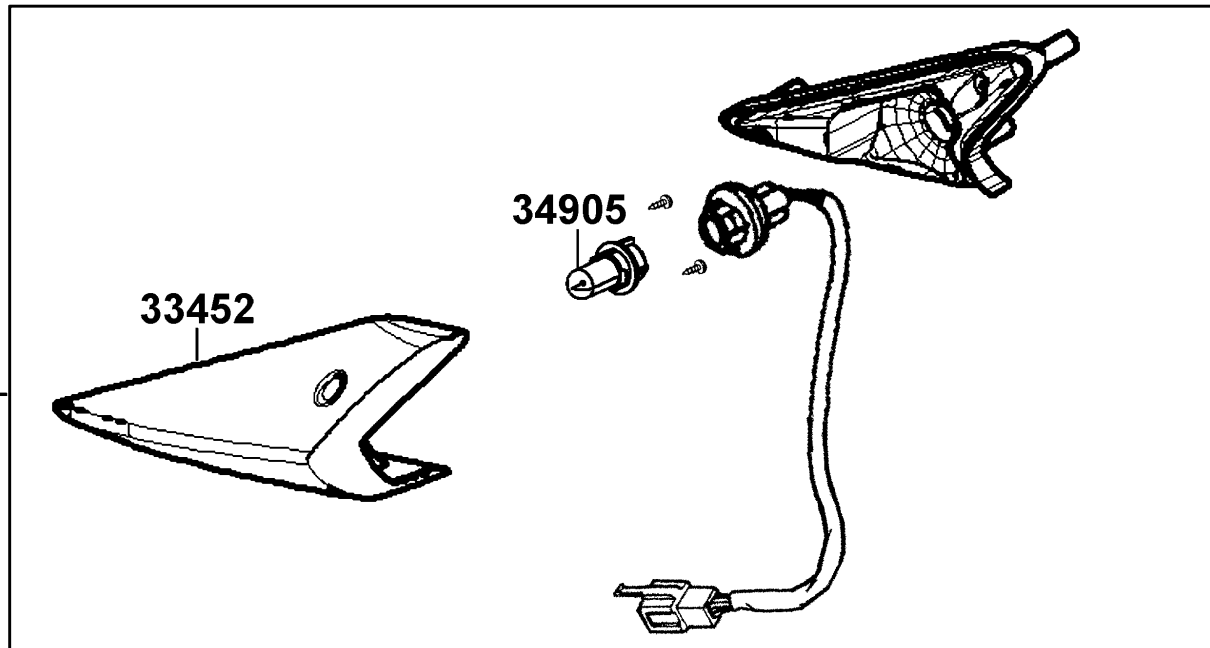
F17

Front Winker



93903-34380\*3

93903-34380\*3



Sales mark	Ref no	Part no	Ver	Description	Reg description	Regd no	<b>F17</b>
	33400	33400-LGB5-E10	0	WINKER ASSY R FR	WINKER ASSY R FR	1	
	33402	33402-LGB5-E10	0	LENS,R,FR. WINKER	LENS,R,FR. WINKER	0	
	33450	33450-LGB5-E10	0	WINKER ASSY L FR	WINKER ASSY L FR	1	
	33452	33452-LGB5-E10	0	LENS,L,FR. WINKER	LENS,L,FR. WINKER	0	
	34905	34905-LBA8-E80	0	BULB WINKER	BULB WINKER	0	
	93903	93903-34380	0	SCREW TAPPING 4*12	SCREW TAPPING 4*12	6	



Sales mark	Ref no	Part no	Ver	Description	Reg description	Regd no	F18
	11208	11208-LBD6-E00	1	STAY RR TIRE FENDER	STAY RR TIRE FENDER	1	
	1755A	1755A-LDC8-E10	1	"TUBE ASSY., FUEL DRAIN"	"TUBE ASSY., FUEL DRAIN"	1	
	33700	33700-LGB5-E10	0	LIGHT ASSY RR COMB	LIGHT ASSY RR COMB	1	
	33702	33702-LGB5-E10	0	LENS COMP.,RR. COMB.	LENS COMP.,RR. COMB.	0	
	33708	33708-LGB5-E10	0	SOCKET COMP.,RR COMB	SOCKET COMP.,RR COMB	0	
	33720	33720-LGB5-E10	0	LIGHT ASSY LICENSE	LIGHT ASSY LICENSE	1	
	33731	33731-KGB5-900	0	REFLEX REFLECTOR SIDE	REFLEX REFLECTOR SIDE	2	
	33741	33741-KEBE-900	0	REFLEX REFLECTOR	REFLEX REFLECTOR	1	
	34905	34905-KPCP-900	0	BULB WINKER	BULB WINKER	0	
	34906	34906-KPCP-900	0	BULB TAIL & STOP 12V21W/5W	BULB TAIL & STOP 12V21W/5W	0	
**	80100	80100-LDC8-E10	0	FENDER RR TIRE	FENDER RR TIRE	1	
	80101-KUDU	80101-KUDU-B50	0	RUBBER FR NUMBER	RUBBER FR NUMBER	2	
	80101-LGB5	80101-LGB5-E10	0	FENDER REAR INNER	FENDER REAR INNER	1	
	80105	80105-LGB5-E10	0	FENDER REAR	FENDER REAR	1	
	90302-GFY6	90302-GFY6-901	1	BOLT WASH 5*12	BOLT WASH 5*12	2	
#	90302-SDA4	90302-SDA4-004	1	NUT SPRING 4MM	NUT SPRING 4MM	2	
	93404	93404-06012-07	0	BOLT WASH 6*12	BOLT WASH 6*12	8	
	93903-34380	93903-34380	0	SCREW TAPPING 4*12	SCREW TAPPING 4*12	2	
	93903-35220	93903-35220	0	SCREW TAPPING 5*12	SCREW TAPPING 5*12	2	
	93903-GFY6	93903-GFY6-900	1	SCREW TAPPING 4*14	SCREW TAPPING 4*14	13	

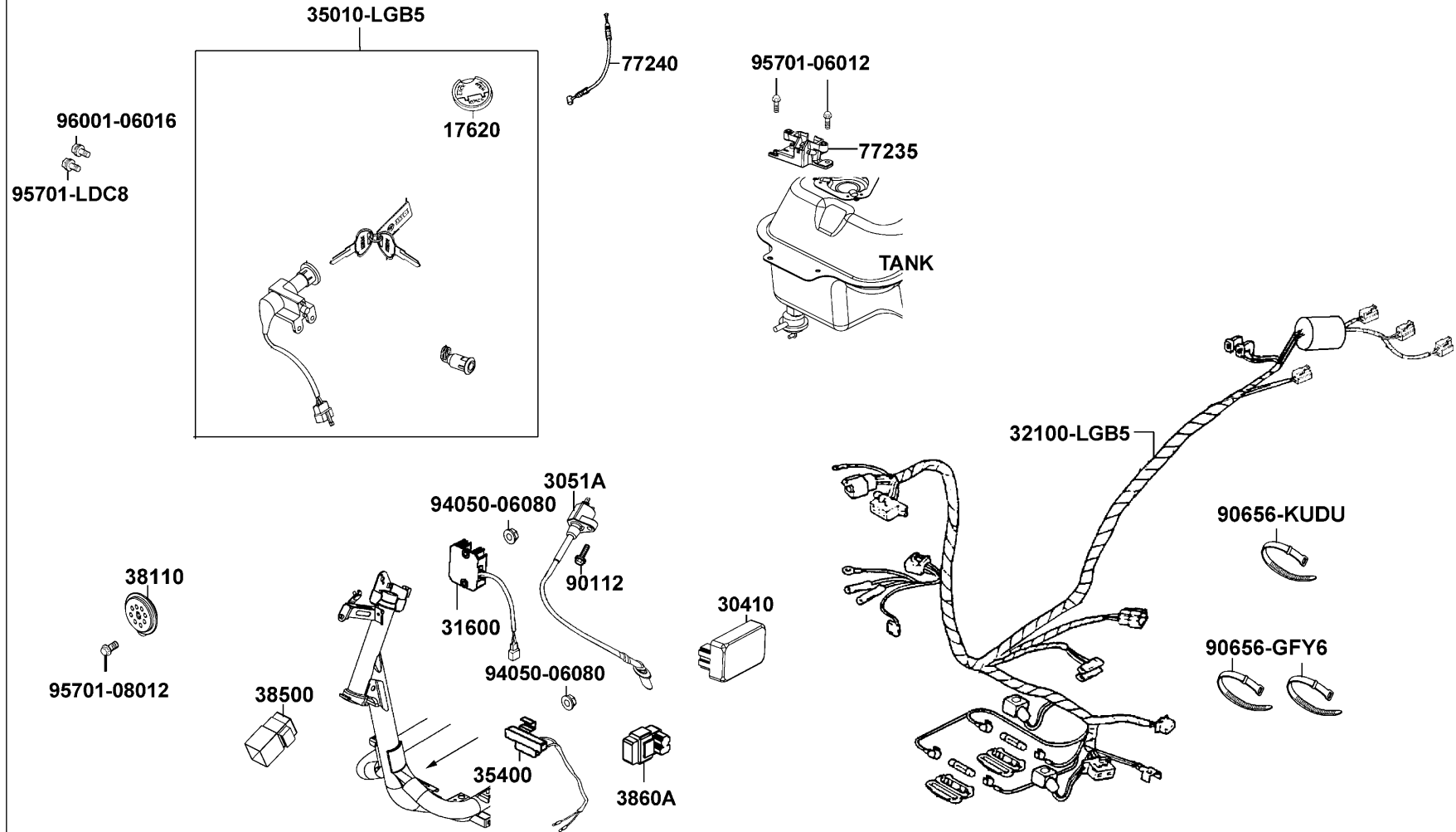


Sales mark	Ref no	Part no	Ver	Description	Reg description	Regd no	<b>F18</b>
------------	--------	---------	-----	-------------	-----------------	---------	------------

#	94050	94050-05080	0	NUT FLANGE 5MM	NUT FLANGE 5MM	3	
---	-------	-------------	---	----------------	----------------	---	--

F19

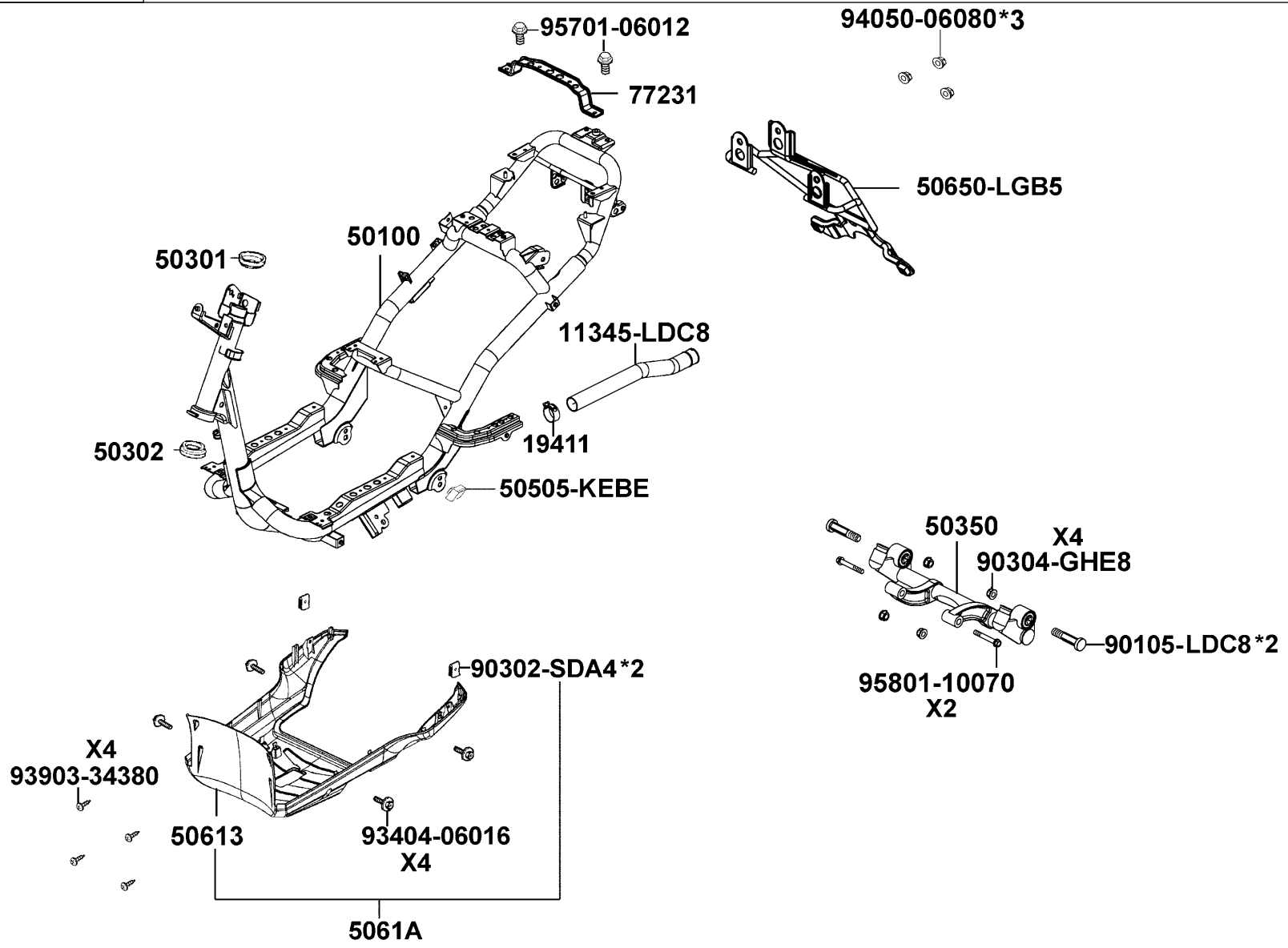
Wire Harness



Sales mark	Ref no	Part no	Ver	Description	Reg description	Regd no	<b>F19</b>
	17620	17620-KGBG-E000	1	CAP COMP FUEL FILLER	CAP COMP FUEL FILLER	1	
	30410	30410-LEJ2-E10	2	UNIT COMP CDI	UNIT COMP CDI	1	
	3051A	3051A-KHC4-900	1	COIL ASSY IGN	COIL ASSY IGN	1	
	31600	31600-LFC2-E10	1	"REG REC COMP,(DC)"	"REG REC COMP,(DC)"	1	
	32100	32100-LGB5-E10	2	HARNESS WIRE	HARNESS WIRE	1	
	35010	35010-LGB5-E10	0	KEY SET ASSY	KEY SET ASSY	1	
	35400	35400-LEJ2-E10	0	RESISTOR COMP	RESISTOR COMP	1	
	38110	38110-KGC4-B50	1	HORN COMP	HORN COMP	1	
	38500	38500-KKDK-9000	3	RELAY ASSY START	RELAY ASSY START	1	
	3860A	3860A-LGB5-E10	0	CONTROL ASS'Y LIGHTING	CONTROL ASS'Y LIGHTING	1	
	77235	77235-LGB5-E10	5	SEAT CATCH COMP	SEAT CATCH COMP	1	
	77240	77240-LGB5-E10	0	CABLE COMP SEAT LOCK	CABLE COMP SEAT LOCK	1	
	90112	90112-KRDR-900	0	BOLT FLANGE 5*22	BOLT FLANGE 5*22	1	
#	90656-GFY6	90656-GFY6-911	0	BAND OIL HOSE	BAND OIL HOSE	2	
# **	90656-KUDU	90656-KUDU-900	0	BAND HARNESS WIRE	BAND HARNESS WIRE	1	
#	94050	94050-06080	0	NUT FLANGE 6MM	NUT FLANGE 6MM	2	
#	95701-06012	95701-06012-08	0	BOLT FLANGE 6*12	BOLT FLANGE 6*12	2	
#	95701-08012	95701-08012-08	0	BOLT FLANGE 8*12	BOLT FLANGE 8*12	1	
	95701-LDC8	95701-LDC8-E10	0	BOLT TORQUE 6x16	BOLT TORQUE 6x16	1	
	96001	96001-06016-08	0	BOLT FLANGE SH 6*16	BOLT FLANGE SH 6*16	1	

F20

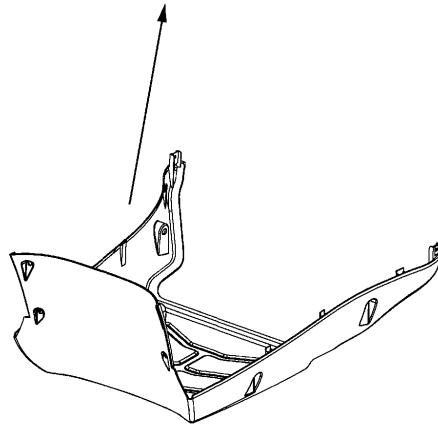
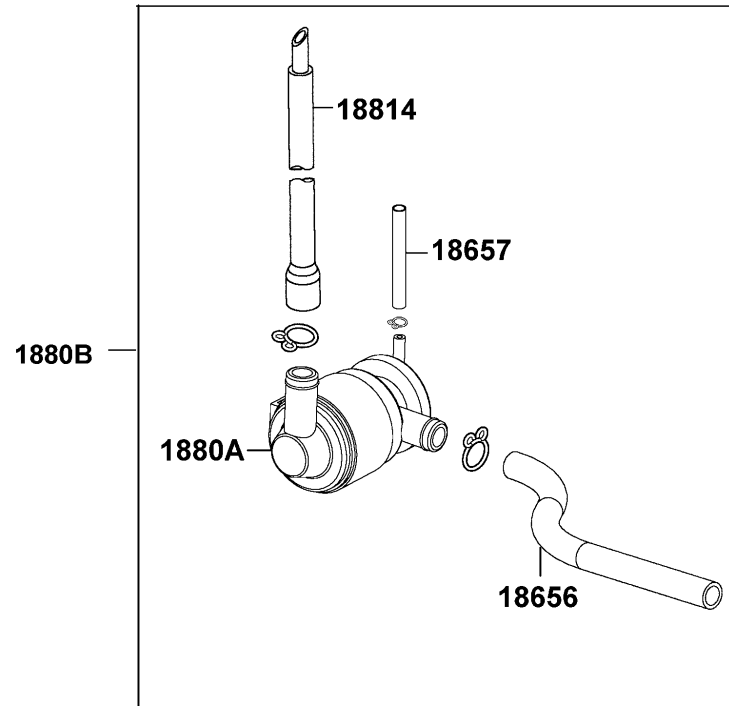
Frame Body



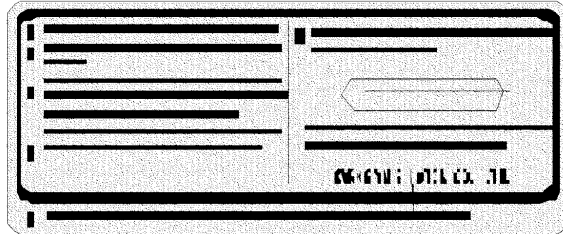
Sales mark	Ref no	Part no	Ver	Description	Reg description	Regd no	F20
	11345	11345-LDC8-E10	0	DUCT L COVER	DUCT L COVER	1	
	19411	19411-KNBN-900	1	CLIP HOSE	CLIP HOSE	1	
	50100	50100-LGB5-E10	1	BODY COMP FRAME	BODY COMP FRAME	1	
	50301	50301-GLM0-001	0	RACE UP STRG BALL	RACE UP STRG BALL	1	
	50302	50302-2H68-011	2	RACE STRG BOT BALL	RACE STRG BOT BALL	1	
	50350	50350-LDC8-E10	0	HANGER ASSY ENG	HANGER ASSY ENG	1	
	50505	50505-KEBE-900	0	STOPPER RUBBER	STOPPER RUBBER	1	
**	50613	50613-LGB5-E10	1	COVER UNDER	COVER UNDER	1	
	5061A	5061A-LGB5-E10	0	"COVER UNDER ASSY.,"	"COVER UNDER ASSY.,"	1	
	50650	50650-LGB5-E10	1	STAY RR FENDER	STAY RR FENDER	1	
	77231	77231-LGB5-E10	0	STAY BACK SEAT	STAY BACK SEAT	1	
	90105	90105-LDC8-E10	0	SQUARE BOLT M10*50	SQUARE BOLT M10*50	2	
#	90302	90302-SDA4-004	1	NUT SPRING 4MM	NUT SPRING 4MM	2	
#	90304	90304-GHE8-004	0	NUT U 10MM	NUT U 10MM	4	
	93404	93404-06016-07	0	BOLT WASHER 6*16 (K)	BOLT WASHER 6*16 (K)	4	
	93903	93903-34380	0	SCREW TAPPING 4*12	SCREW TAPPING 4*12	4	
#	94050	94050-06080	0	NUT FLANGE 6MM	NUT FLANGE 6MM	3	
#	95701	95701-06012-08	0	BOLT FLANGE 6*12	BOLT FLANGE 6*12	2	
	95801	95801-10070-08	0	BOLT FLANGE 10*70	BOLT FLANGE 10*70	2	

F21

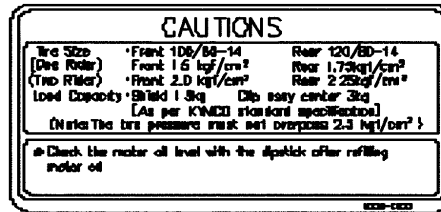
### Air Cleaner Two



Sales mark	Ref no	Part no	Ver	Description	Reg description	Regd no	<b>F21</b>
	18656	18656-LDC8-E10	0	DUCT AICV-REED VALVE	DUCT AICV-REED VALVE	1	
	18657	18657-LDC8-E10	0	AICV-INLET PIPE TUBE ASSY	AICV-INLET PIPE TUBE ASSY	1	
	1880A	1880A-LDC8-E10	0	AI/C-AICV ASSY	AI/C-AICV ASSY	1	
	1880B	1880B-LDC8-E10	0	AI/C-AICV SET	AI/C-AICV SET	1	
	18814	18814-LDC8-E10	0	DUCT ASSY AIR-AICV	DUCT ASSY AIR-AICV	1	
	95002	95002-KKD6-E05	0	CLAMP D18 TUBE	CLAMP D18 TUBE	1	



87560

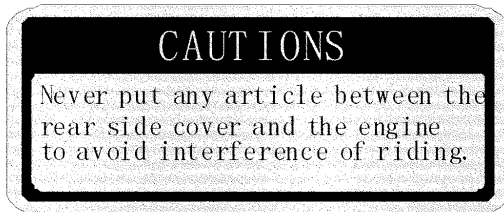


87505

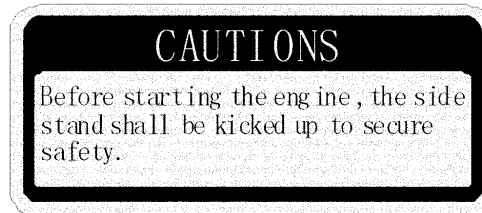


86732-LGB5-E10

86733-LGB5-E10



87542

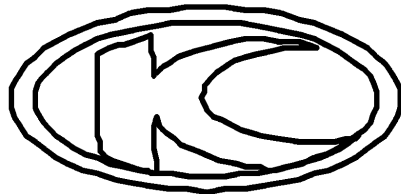


87541-GAR1

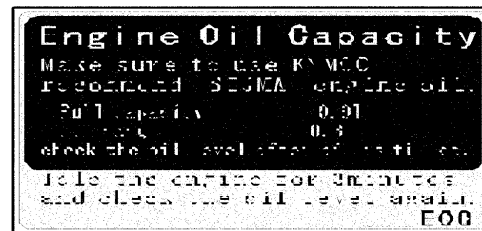


86221-LGB5-E10

86731-LGB5-E10



86102



87541-KGBG

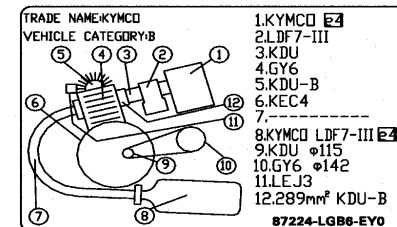


86734-LGB5-E10

86735-LGB5-E10



86202



87224

Sales mark	Ref no	Part no	Ver	Description	Reg description	Regd no	<b>F22</b>
**	86102	86102-LEA5-E00	1	EMB K-LOGO 28MM	EMB K-LOGO 28MM	1	
**	86202	86202-LGB5-E10	1	EMB BODY COVER	EMB BODY COVER	2	
**	86221	86221-LGB5-E10	0	STRIPE R BODY COVER	STRIPE R BODY COVER	1	
**	86231	86231-LGB5-E10	1	STRIPE L BODY COVER	STRIPE L BODY COVER	1	
**	86732	86732-LGB5-E10	0	STRIPE R LEG SHIELD	STRIPE R LEG SHIELD	1	
**	86733	86733-LGB5-E10	0	STRIPE L LEG SHIELD	STRIPE L LEG SHIELD	1	
**	86734	86734-LGB5-E10	0	STRIPE B R LEG SHIELD	STRIPE B R LEG SHIELD	1	
**	86735	86735-LGB5-E10	0	STRIPE B L LEG SHIELD	STRIPE B L LEG SHIELD	1	
**	87224	87224-LGB5-EY0	0	CAUTION ANTI TAMPERING	CAUTION ANTI TAMPERING	1	
**	87505	87505-LFC2-E10	1	LABEL TIRE	LABEL TIRE	1	
**	87541-GAR1	87541-GAR1-E01	1	CAUTION SIDE STAND	CAUTION SIDE STAND	1	
**	87541-KGBG	87541-KGBG-E00	0	LABEL OIL CAP	LABEL OIL CAP	1	
**	87542	87542-GAR1-E01	2	MARK MAINT CAUTION	MARK MAINT CAUTION	1	
**	87560	87560-GFY6-E01	3	MARK DRIVE CAUTION	MARK DRIVE CAUTION	1	

## PART NO. INDEX

PART NO.	VERSION	PAGE	PART NO.	VERSION	PAGE	PART NO.	VERSION	PAGE	
<b>11000</b>			12209-GDB4-68A	0	E02	14555-KKJ9-C10	0	E03	
			12211-KGBG-9000	2	E02	14610-KGBG-9000	0	E03	
			12251-KGBG-900	0	E02	14711-KGBG-9000	0	E02	
	11100-KGBG-901	4	E01	12310-KHC5-900	0	E02	14721-KGBG-9000	0	E02
	11102-1G87-0040	1	E01	1231A-KHC5-900	1	E02	14751-GEN5-9120-M1	0	E02
	11102-KGBG-900	1	E01	12361-GFY6-9010	1	E04	14771-GDB4-680	0	E02
	11192-KGBG-C10	0	E01	12391-KEE1-900	0	E02	14775-MFA6-001	1	E02
	11200-LBD6-E00	3	E01				14781-MFA6-001	1	E02
	11205-GHAH-004	0	E01	<b>13000</b>					
	11205-KNBN-901	0	E01				<b>15000</b>		
	11205-LAB4-900	1	E01	13000-KGBG-900	4	E03			
	11208-LBD6-E00	1	F18	13011-KGBG-9010	1	E03	15100-LDC5-900	2	E06
	11330-LBD6-E00	2	E04	13101-LCB9-B20	2	E03	15133-LDC5-900	2	E06
	11340-LBD6-E00	2	E01	13111-KGBG-900	1	E03	15421-1G07-W10	0	E04
	11345-LDC8-E10	0	F20	13115-0A01-001	1	E03	15426-GAE1-921	1	E04
	11381-KHC4-900	0	E01				1565A-GFY6-900	0	E04
	11382-LBD6-E00	2	E01	<b>14000</b>					
11387-KGBG-900	1	E02				<b>16000</b>			
11394-KGBG-C10	0	E04	14100-KGBG-901	4	E02				
11395-LBD6-E00	2	E01	14401-KGBG-9000	0	E03	16012-LDC8-E10	3	E09	
<b>12000</b>			14431-KGBG-W10	0	E02	16088-KEC3-900	1	E09	
			14450-KGBG-W10	0	E02	16095-KEC3-900	2	E09	
			14452-KGBG-W10	0	E02	16100-LDC8-E10	0	E09	
	12100-KGBG-A60	0	E03	14510-KGBG-9000	0	E03	16116-KGC5-900	0	E09
	12191-KGBG-C10	0	E03	1453A-GFY6-W10	0	E03	16124-KEC3-900	0	E09
	12200-KGBG-9100	6	E02	14550-LDC8-C10	0	E03	16142-KGC5-900	1	E09

## PART NO. INDEX

PART NO.	VERSION	PAGE	PART NO.	VERSION	PAGE	PART NO.	VERSION	PAGE
16154-KGC5-900	3	E09				19625-KEE1-9000	0	E07
16165-KGC5-900	0	E09	<b>18000</b>			1962A-KEE1-900	1	E07
16170-KGC5-900	2	E09				1963A-LDC8-E10	1	E07
1621A-KGBG-900	2	E02	18291-GGA7-080	0	F14			
1691A-LDF7-E10	0	F10	18291-KEBE-900	0	F14	<b>21000</b>		
16950-KKJ9-75A	2	F10	18292-KEBE-900	0	F14			
			18293-KEBE-900	0	F14	21200-KFA1-900	0	E08
<b>17000</b>			18294-KEBE-900	0	F14	21395-KNBN-C10	0	E08
			1830A-LGB5-E10	2	F14			
1711A-LBD6-E00	2	E02	18318-LDA6-900	1	F14	<b>22000</b>		
17200-LDC8-E10	1	F13	18612-GFY6-941	0	E02			
1720A-LDC8-E10	0	F13	18645-GFY6-941	0	E02	22100-LDC8-E10	0	E05
17213-LBD6-E00	1	F13	18646-GFY6-C10	0	E02	22102-LDC8-E10	0	E05
17214-LBD6-E00	1	F13	18647-GFY6-941	0	E02	22103-KEB7-900	0	E05
17236-KFBF-910	1	F13	18656-LDC8-E10	0	F21	22105-LBD6-E00	3	E05
1723B-LBD6-E00	0	F13	18657-LDC8-E10	0	F21	22110-LDC8-E10	0	E05
1723C-LBD6-E00	0	F13	1880A-LDC8-E10	0	F21	22121-LBD6-E00	1	E05
17255-KGBG-900	1	F13	1880B-LDC8-E10	0	F21	22131-GHAH-7810	0	E05
17256-KGBG-900	0	E02	18814-LDC8-E10	0	F21	22132-GLW0-001	2	E05
17257-LDC8-E00	1	F13				22300-GGAG-750	1	E05
17500-LCB9-C10	0	F10	<b>19000</b>					
1755A-KKD5-C10	1	F10				<b>23000</b>		
1755A-LDC8-E10	1	F18	19411-KNBN-900	1	F13			
17620-KGBG-E000	1	F19	19411-KNBN-900	1	F20	23010-LDC8-C10	0	E05
17910-LDC8-E10	0	F03	19510-LDC5-900	1	E07	2301A-LDC8-E10	1	E05
			1961A-KGBG-E01	0	E07	23100-KEB7-900	0	E05

## PART NO. INDEX

PART NO.	VERSION	PAGE	PART NO.	VERSION	PAGE	PART NO.	VERSION	PAGE
23200-LDC8-C10	0	E05	3051A-KHC4-900	1	F19	33702-LGB5-E10	0	F18
23220-LDC8-E10	0	E05				33708-LGB5-E10	0	F18
23225-GAR1-7510	0	E05	<b>31000</b>			33720-LGB5-E10	0	F18
23233-KEE1-900	0	E05				33731-KGB5-900	1	F18
23237-GAR1-220	0	E05	31100-LEJ2-E10	2	E07	33741-KEBE-900	0	F18
23238-GGS7-0110	0	E05	31110-LBD6-E0A	1	E07			
23411-LBD6-E00	1	E08	31120-LEJ2-E10	2	E07	<b>34000</b>		
23420-LBD6-E00	2	E08	31200-LEJ2-E10	0	E06			
23431-KNBN-9010	0	E08	31209-KEE1-9000	2	E06	34901-LDC8-E10	0	F01
23432-LBD6-E00	1	E08	31500-GFY6-9410	3	F11	34903-LDC8-E10	0	F01
			31600-LFC2-E10	1	F19	34905-KPCP-900	0	F18
<b>28000</b>			<b>32000</b>			34905-LBA8-E80	0	F17
28211-KEB7-W10	0	E05				34906-KPCP-900	0	F18
28223-KNBN-901	0	E01	32100-LGB5-E10	2	F19	34908-LEJ2-E00	0	F02
28230-GHAH-7210	0	E01	32101-GFY6-901	1	F04	34909-LEJ2-E00	0	F02
2823A-LBD6-E00	1	E01				<b>35000</b>		
28250-GBN2-6020	0	E01	<b>33000</b>					
28253-GBN2-6020	0	E01				35010-LGB5-E10	0	F19
28255-GFS6-001	0	E01	33100-LGB5-E10	0	F01	35151-LGB5-E10	1	F03
28281-GBN2-6030	1	E01	33102-LGB5-E10	0	F01	35152-KGBG-900	2	F03
28300-KNBN-901	3	F15	33400-LGB5-E10	0	F17	3515A-LGB5-E10	3	F03
			33402-LGB5-E10	0	F17	35201-LGB5-E10	1	F03
<b>30000</b>			33450-LGB5-E10	0	F17	35202-KGBG-900	3	F03
			33452-LGB5-E10	0	F17	3520A-LGB5-E10	1	F03
30410-LEJ2-E10	2	F19	33700-LGB5-E10	0	F18	35340-KKJ9-0100	4	F03

## PART NO. INDEX

PART NO.	VERSION	PAGE	PART NO.	VERSION	PAGE	PART NO.	VERSION	PAGE			
35400-LEJ2-E10	0	F19	<b>43000</b>			45126-LGB5-E10	2	F04			
<b>37000</b>				4312A-KXCX-900	8	F08	45200-LGB5-E10	0	F04		
				4314A-KKD6-E00	0	F08	45500-LDC8-E10	1	F04		
37200-LGB5-E10	0	F02		43410-KFA1-9000	0	F08	4550B-LGB5-E10	0	F04		
37211-LGB5-E10	0	F02		43450-LDC8-E10	1	F03	45517-KFAF-910	0	F04		
37224-LGB5-E10	0	F02		<b>44000</b>			<b>50000</b>				
37802-GGA7-7010	0	F10			44305-KGE2-E00	9		F07	50100-LGB5-E10	1	F20
3780A-LDC8-E10	0	F10			44306-KGE2-E00	9		F07	50301-GLM0-001	0	F20
<b>38000</b>					44311-GLW0-W10	0		F07	50302-2H68-011	2	F20
					44600-LGB5-E10	2		F07	50306-1F96-0010	0	F06
38110-KGC4-B50	1	F19	44601-LGB5-E10		0	F07		50326-LGB5-E10	0	F11	
38300-KECE-9000	1	F02	44620-KEB7-E00		0	F07		50330-KEBE-900	0	F05	
38500-KKDK-9000	3	F19	44650-LGB5-3150		0	F07		50350-LDC8-E10	0	F20	
3860A-LGB5-E10	0	F19	44710-LDC8-E10		0	F07		50500-LDC8-E10	0	F15	
<b>42000</b>			44800-LDC8-E10		0	F07		50505-KEBE-900	0	F20	
			44830-LGB5-E10	0	F02	50505-LAD9-900	0	F15			
			<b>45000</b>			5050A-LDC8-E10	0	F15			
	42600-LGB5-E10	1		F08	45105-LDC8-305	0	F04	50530-LGB5-E10	1	F15	
	42601-LGB5-E10	0		F08	45106-LDC8-E1A	0	F04	50531-KEB7-E00	1	F15	
	42710-LDC8-E10	0		F08	45121-LGB5-E10	1	F07	50535-KEB7-W10	3	F15	
	42753-HHJ1-9000	1		F07			50550-KEB7-E00	1	F15		
	42753-HHJ1-9000	1		F08			50613-LGB5-E10	1	F20		
							5061A-LGB5-E10	0	F20		
							50650-LGB5-E10	1	F20		

## PART NO. INDEX

PART NO.	VERSION	PAGE	PART NO.	VERSION	PAGE	PART NO.	VERSION	PAGE	
<b>51000</b>			53175-LDC8-E10	1	F04	6431A-LGB5-E10	0	F05	
			53178-LGB6-E10	0	F03				
			5317B-LGB6-E10	0	F03	<b>77000</b>			
	51400-LGB5-E10	0	F06	53200-LDC8-E10	0	F06			
	51401-LDC8-E10	0	F06	53205-LGB5-E10	1	F03	77200-LGB6-E10	0	F09
	51410-LDC8-E10	0	F06	53206-LGB5-E10	0	F03	77231-LGB5-E10	0	F20
	51412-LDC8-E10	0	F06	53206-LGB5-E10	1	F03	77232-KCAC-901	2	F12
	51422-LDC8-E10	0	F06	53211-GFY6-9400	1	F06	77235-LGB5-E10	5	F19
	51428-LDC8-E10	0	F06	53212-2L50-011	1	F06	77240-LGB5-E10	0	F19
	51429-LDC8-E10	0	F06	53214-2L50-001	2	F06			
	51437-LDC8-E10	0	F06	53215-2L50-001	1	F06	<b>80000</b>		
51500-LGB5-E10	0	F06							
51520-LDC8-E10	0	F06	<b>61000</b>			80100-LDC8-E10	0	F18	
						80101-KUDU-B50	0	F18	
<b>52000</b>			61100-LGB5-E10	0	F06	80101-LGB5-E10	0	F18	
			61100-LGB5-E10	1	F06	80105-LGB5-E10	0	F18	
52400-LDC8-E10	0	F16				80151-LGB5-E10	0	F12	
52400-LDC8-E10	2	F16	<b>64000</b>			8015A-LGB5-E10	0	F12	
<b>53000</b>			64301-LGB5-E10	1	F05	<b>81000</b>			
			64302-LGB5-E10	1	F05				
53100-LGB5-E10	1	F03	64303-LGB5-E10	0	F05	81132-LCB9-C10	0	F05	
53105-KNBN-9100	1	F03	64304-LGB5-E10	1	F05	81132-LDC8-E10	0	F05	
53125-GEN5-901	1	F03	6430A-LGB5-E10	0	F05	81133-KNBN-901	0	F05	
53140-KNBN-960	0	F03	64310-LGB5-E10	1	F05	81200-LGB5-E10	0	F12	
53166-KNBN-9110	0	F03	64316-LCB9-C10	0	F05	81250-LGB5-E10	1	F12	

## PART NO. INDEX

PART NO.	VERSION	PAGE	PART NO.	VERSION	PAGE	PART NO.	VERSION	PAGE
81251-LCB9-C10	0	F12				90033-GFY6-941	0	E02
81252-LGB5-E10	1	F12	<b>87000</b>			90102-GLE0-001	0	F15
81255-LGB6-E10	0	F12				90105-KCR3-001	1	F07
81256-LGB6-E10	0	F12	87224-LGB5-EY0	0	F22	90105-LDC8-E10	0	F20
			87505-LFC2-E10	1	F22	90106-GEN5-901	1	F03
<b>83000</b>			87541-GAR1-E01	1	F22	90106-LDF7-M00	0	F12
			87541-KGBG-E00	0	F22	90108-KEB7-E00	0	F15
83500-LGB5-E10	0	F12	87542-GAR1-E01	2	F22	90110-GLW0-001	0	F05
83500-LGB5-E10	1	F12	87560-GFY6-E01	3	F22	90110-KEB7-900	1	F06
83510-LGB5-E10	0	F12				90110-LDC8-E10	0	F14
83600-LGB5-E10	0	F12	<b>88000</b>			90111-1G87-00A	1	F12
83610-LGB5-E10	0	F12				90112-KRDR-900	0	F19
			88110-LEB5-C10	1	F03	90116-LDC8-E10	0	F06
<b>86000</b>			88120-LEB5-C10	1	F03	90121-KBE2-981	4	F07
						90131-GLW0-9110	0	F04
86102-LEA5-E00	1	F22	<b>89000</b>			90145-9A61-011	1	F04
86202-LGB5-E10	0	F22				90202-1G87-001	0	E05
86202-LGB5-E10	1	F22	89010-KGBG-C00	0	F09	90202-GFF6-011	0	E02
86221-LGB5-E10	0	F22				90206-0A01-0010	1	E02
86231-LGB5-E10	0	F22	<b>90000</b>			90301-4C73-0040	4	F15
86231-LGB5-E10	1	F22				90301-KGBG-900	1	F14
86732-LGB5-E10	0	F22	9000A-KTDT-900	0	E01	90302-GFY6-901	1	F18
86733-LGB5-E10	0	F22	90012-3C33-0010	1	E02	90302-KNBN-900	1	F03
86734-LGB5-E10	0	F22	90031-KGBG-9010	0	E01	90302-SDA4-004	1	F03
86735-LGB5-E10	0	F22	90032-KGBG-9010	0	E01	90302-SDA4-004	1	F05
			90033-041-0210	1	E02	90302-SDA4-004	1	F12

## PART NO. INDEX

PART NO.	VERSION	PAGE	PART NO.	VERSION	PAGE	PART NO.	VERSION	PAGE
90302-SDA4-004	1	F18						
90302-SDA4-004	1	F20	<b>91000</b>			<b>93000</b>		
90304-4H38-001	0	E02						
90304-GHE8-004	4	F03	91004-KBN-9210-M1	0	E01	93404-06012-07	0	F18
90304-GHE8-004	4	F20	91004-KN2-9020-M1	0	E01	93404-06016-07	0	F05
90305-KNBN-9030-M2	0	F08	91004-KN2-9020-M1	0	E08	93404-06016-07	0	F12
90306-KLF0-004	4	F07	91009-GLE0-004	1	E08	93404-06016-07	0	F20
90412-3K29-001	0	E01	91014-LLJ3-E00	1	F06	93404-06020-07	0	F05
90426-KNBN-901	0	E05	91015-LLJ3-E00	1	F06	93700-05018-0H	0	F02
90429-KNBN-901	0	E08	91201-KGBG-90A	0	E04	93903-25220	0	F03
90442-GFF6-011	0	E02	91202-GFY6-90B	0	E01	93903-25480	0	F13
90451-GBN2-601	0	E01	91204-KNBN-90A	1	E01	93903-34380	0	F02
90474-3C33-001	1	E01	91211-KEE1-900	0	E05	93903-34380	0	F03
90501-KNBN-901	0	F08	91251-LDC8-E10	0	F06	93903-34380	0	F05
9052A-GFY6-950	X	E01	91254-LDC8-E10	0	F06	93903-34380	0	F12
90544-LDC8-E10	0	F06	91255-LDC8-E10	4	E08	93903-34380	0	F17
90545-3L00-001	2	F04	91258-KAM1-00A	1	F07	93903-34380	0	F18
90656-GFY6-911	1	F19	91301-KEE1-900	0	E05	93903-34380	0	F20
90656-KUDU-900	0	F19	91302-0A01-021	0	E04	93903-35220	0	F01
90660-KGBG-900	0	F10	91302-KEE1-900	0	E05	93903-35220	0	F18
90701-GFF6-001	1	E02	91305-0H28-1590	0	E06	93903-35380	0	F11
90701-GFF6-001	1	E03				93903-GFY6-900	2	F03
90701-HDC4-001	1	E06	<b>92000</b>			93903-GFY6-900	2	F05
90741-0E35-001	1	E03				93903-GFY6-900	2	F12
90754-GHC8-0000-M1	1	F07	92101-05012-0H	0	E07	93903-GFY6-900	2	F18
90912-GHC8-0000-M1	0	F07	92900-06050-0B	1	E02	93904-35380	0	E07

## PART NO. INDEX

PART NO.	VERSION	PAGE	PART NO.	VERSION	PAGE	PART NO.	VERSION	PAGE	
<b>94000</b>			95701-06012-08	0	F19	96001-06016-08	0	F19	
			95701-06012-08	0	F20	96001-06018-08	0	E03	
			95701-06022-07	0	F15	96001-06020-08	0	E06	
	94001-12280-0S	0	E05	95701-06025-00	0	E02	96001-06022-08	0	E07
	94050-05080	0	F18	95701-06025-08	0	E02	96001-06025-00	0	F04
	94050-06080	0	E02	95701-06032-08	0	E02	96001-06025-06	0	F03
	94050-06080	0	E06	95701-06032-08	0	F08	96001-06025-08	0	E06
	94050-06080	0	F09	95701-06032-08	0	F13	96001-06025-08	0	E07
	94050-06080	0	F10	95701-06040-00	0	E02	96001-06045-08	0	E01
	94050-06080	0	F19	95701-06040-08	0	F13	96001-06085-08	0	E02
	94050-06080	0	F20	95701-08012-08	0	E01	96001-06085-08	0	E04
	94050-10080	0	E05	95701-08012-08	0	F19	96001-06100-08	0	E04
	94050-10080	0	E07	95701-08035-08	0	E01	96100-62033-00	0	E01
	94301-08140	0	E01	95701-08040-08	3	E01			
	94301-08140	0	E04	95701-LDC8-E10	0	F19	<b>98000</b>		
	94301-10200	0	E08	95801-08032-08	0	F16			
	94510-20000	0	E08	95801-08040-08	0	F06	98056-5771R-00-M2	0	E02
94511-14000	0	E01	95801-08055-07	0	F14	98200-10700	0	F11	
94591-LDC8-E10	0	E07	95801-10035-08	0	F16	98200-11000	0	F11	
94608-LDC8-E10	0	F06	95801-10070-08	0	F20				
			95801-KGB5-E00	0	F14				
<b>95000</b>			<b>96000</b>						
95002-KKD6-E05	0	F21							
9500B-LDC8-E10	3	F10	96001-06012-02	0	E01				
95701-06012-08	0	F06	96001-06016-08	0	E07				