

PARTS CATALOGUE



SCOOTERS

KG10DB(FL)

AGILITY CARRY 50(2011)



Release Date : 2011/03/09
Print Date : 2011/05/16

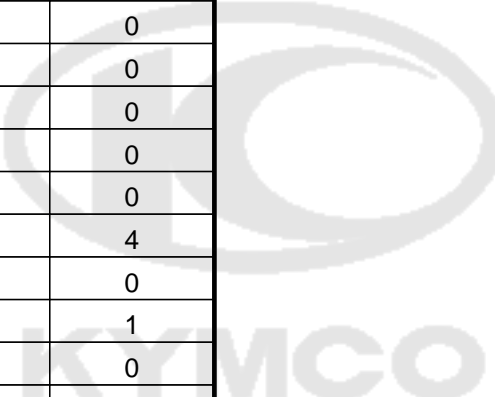
ABOUT THIS PARTS LIST

- This parts list is compiled all service parts for model KG10DB(FL).
- Any difference between color chart and motorcycle will be revised according to motorcycle.
- The Mark:
 1. Marking "***" must add color code in the end before ordering parts.
 2. Marking "#" are parts with modification, Please find the details from e-Parts system.
- When modification or additions to this parts list are made a revised edition at an appropriate time.

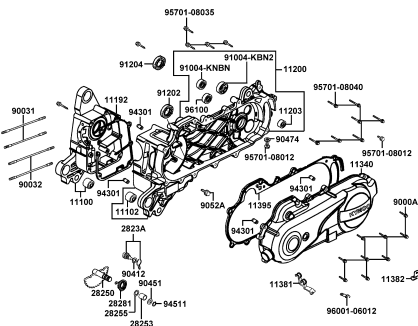
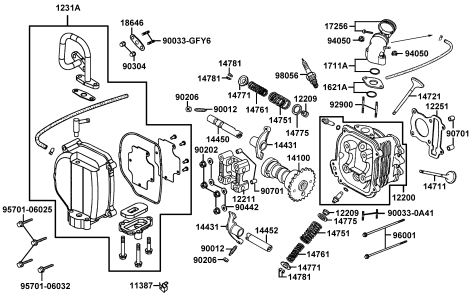
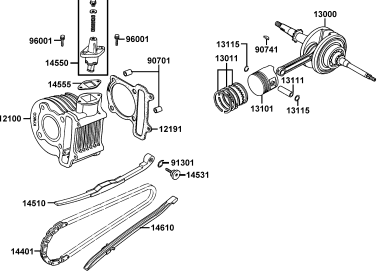
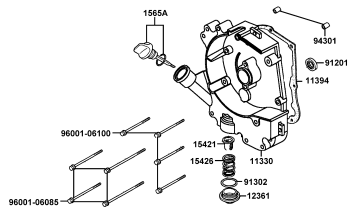
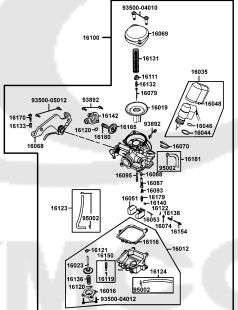
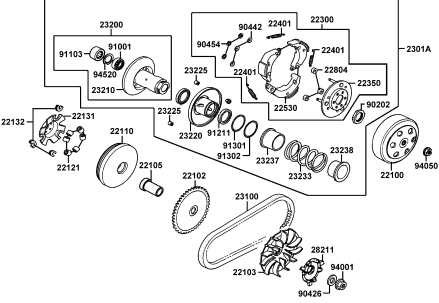
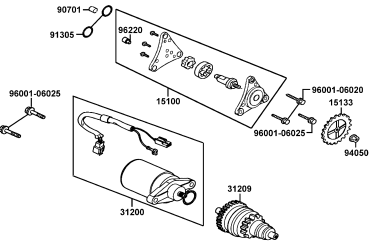
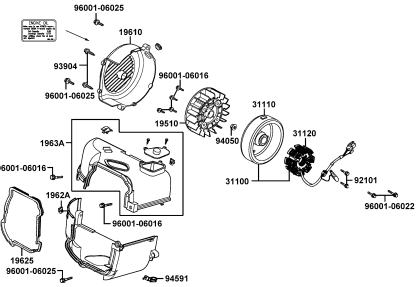
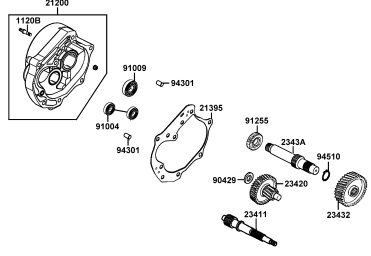


CONTENTS

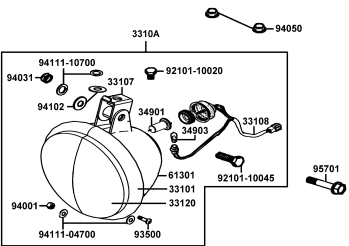
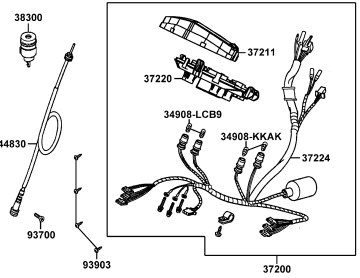
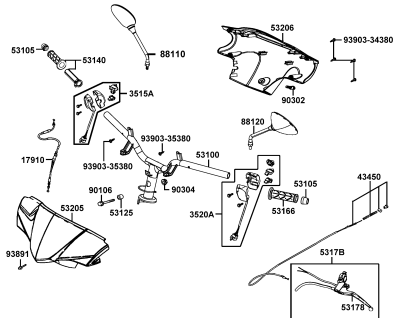
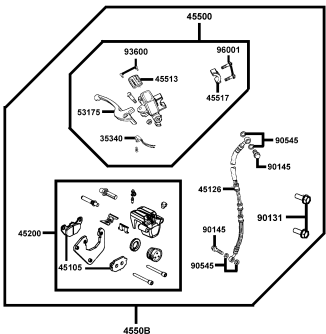
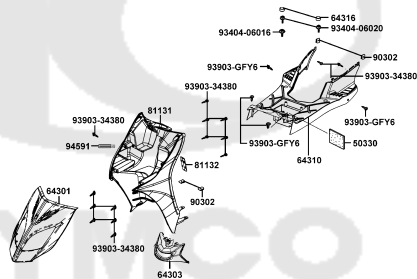
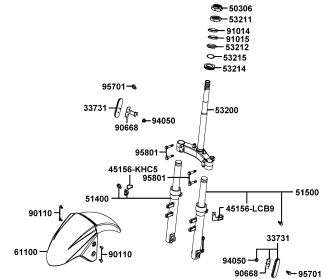
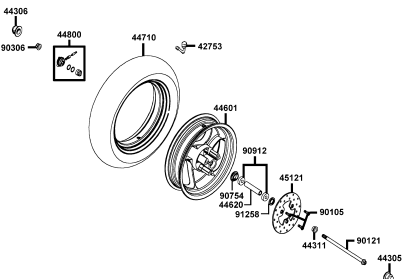
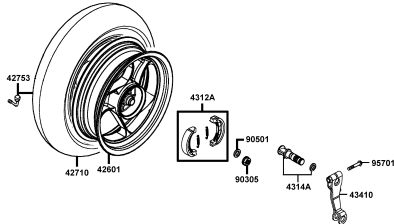
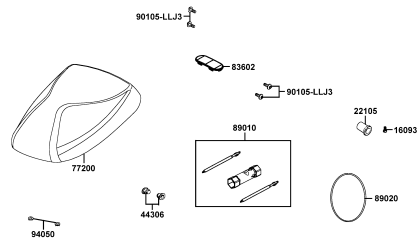
● ABOUT THIS PARTS LIST	1
● COLOR CHART OF KG10DB(FL)	3
● CONTENTS-ENGINE GROUP	5
● CONTENTS-FRAME GROUP	6
● ENGINE PARTS LIST	9
● FRAME PARTS LIST	37
● PART NO. INDEX	87

NO	MODEL			COLOR CHART OF KG10DB(FL)							
	PHOTO NO			NO. 1	NO. 2	NO. 3	NO. 4				
	BASIC COLOR			Light Blue	Orange	Light Green	Pearly White				
	CODE			Light Blue	Orange	Light Green	Pearly White				
	PARTS NAME	PARTS NO.	VERSION	PB173PA	MR068PA	GG288SA	NH193PA				
1	COVER HANDLE FR	53205-LEB9-B50	0	29P	41P	GLP	NVP				
2	FENDER FR	61100-LDC8-E10	0								
3	COVER FR	64301-ALA9-E70	0								
4	COVER R BODY	83500-LCB9-C10	0								
5	COVER L BODY	83600-ALC8-E60	0								
6	LEVER R STRG HNDL	53175-LDC8-E10	1	M3A							
7	COVER BATTERY	50326-LCB9-C10	0								
8	COVER UNDER	50613-LCB9-C11	0								
9	GRIP COMP THROT	53140-KNBN-C00	0								
10	GRIP L HANDLE	53166-KNBN-C00	0								
11	COVER HANDLE RR	53206-LCB9-C10	0								
12	LID FR COVER	64303-ALC9-E10	0								
13	PANEL FLOOR	64310-LCB9-C10	0								
14	PLUG FLOOR	64316-LCB9-C10	4								
15	FENDER RR TIRE	80100-LDC8-E10	0								
16	FENDER RR INNER	80101-LCB9-C10	1					N1R			
17	FENDER RR	80105-LDC8-E10	0								
18	FENDER RR LOW	80106-LDC8-E10	0								
19	COVER CENTER	80151-LCB9-C10	0								
20	LEG SHIELD	81131-ALA9-E70	1								
21	LID LEG SHIELD	81132-LCB9-C10	0								
22	BOX LUGGAGE	81250-LCB9-C10	2								
23	LID CARB MAINT	81251-LCB9-C10	0								
24	CARRIER FR BOTTOM	81305-ALC9-E10	0								
25	LID BODY COVER	83601-ALC8-E60	0								
DATE OF STARTING-SALES											
DATE OF END-SALES											

CONTENTS - ENGINE GROUP

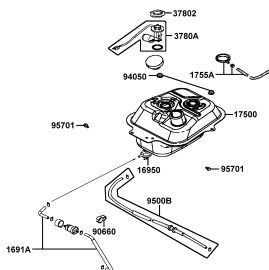
<p>E01 Crank Case</p> 	<p>E02 Cylinder Head</p> 	<p>E03 Cylinder Piston Crankshaft</p> 
<p>E04 Right Crankcase Cover</p> 	<p>E05 Carburetor</p> 	<p>E06 Driven Pulley</p> 
<p>E07 Starting Motor Oil Pump</p> 	<p>E08 Fan Cover Generator</p> 	<p>E09 Transmission</p> 

CONTENTS - FRAME GROUP

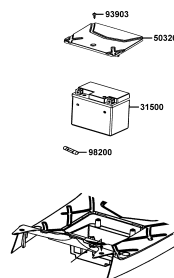
<p>F01 Head Light</p> 	<p>F02 Speedometer</p> 	<p>F03 Handle Steering Handle Cover</p> 
<p>F04 Brake Master Cylinder</p> 	<p>F05 Front Cover</p> 	<p>F06 Stem Steering Front Cushion</p> 
<p>F07 Front Wheel</p> 	<p>F08 Rear Wheel</p> 	<p>F09 Seat</p> 

CONTENTS - FRAME GROUP

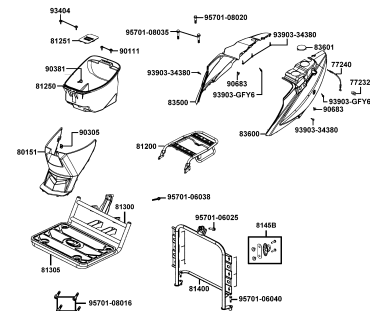
F10 Fuel Tank



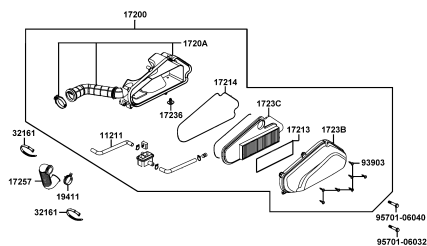
F11 Battery



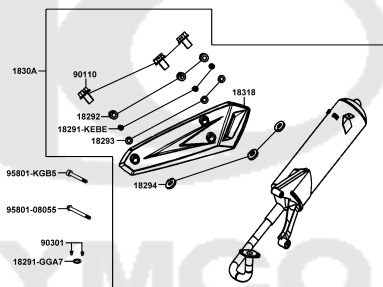
F12 Body Cover Luggage Box



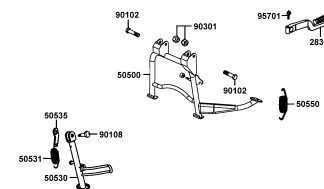
F13 Air Cleaner



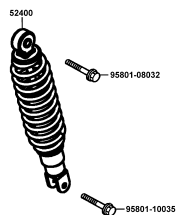
F14 Exhaust Muffler



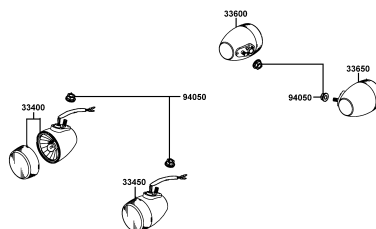
F15 Stand Kick Starter Arm



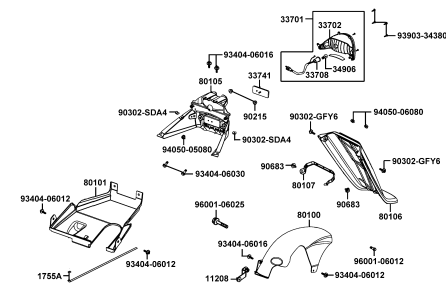
F16 Rear Cushion



F17 Front Winker

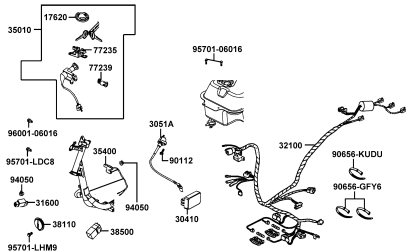


F18 Tail Light

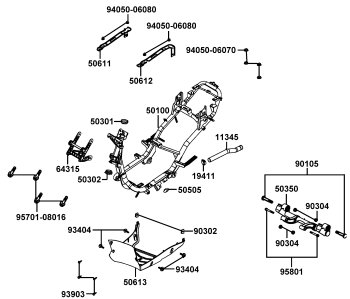


CONTENTS - FRAME GROUP

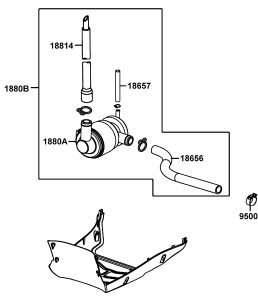
F19 Wire Harness



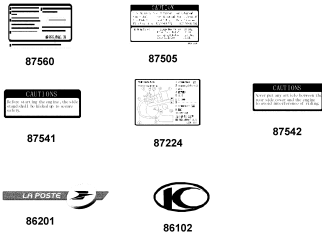
F20 Frame Body

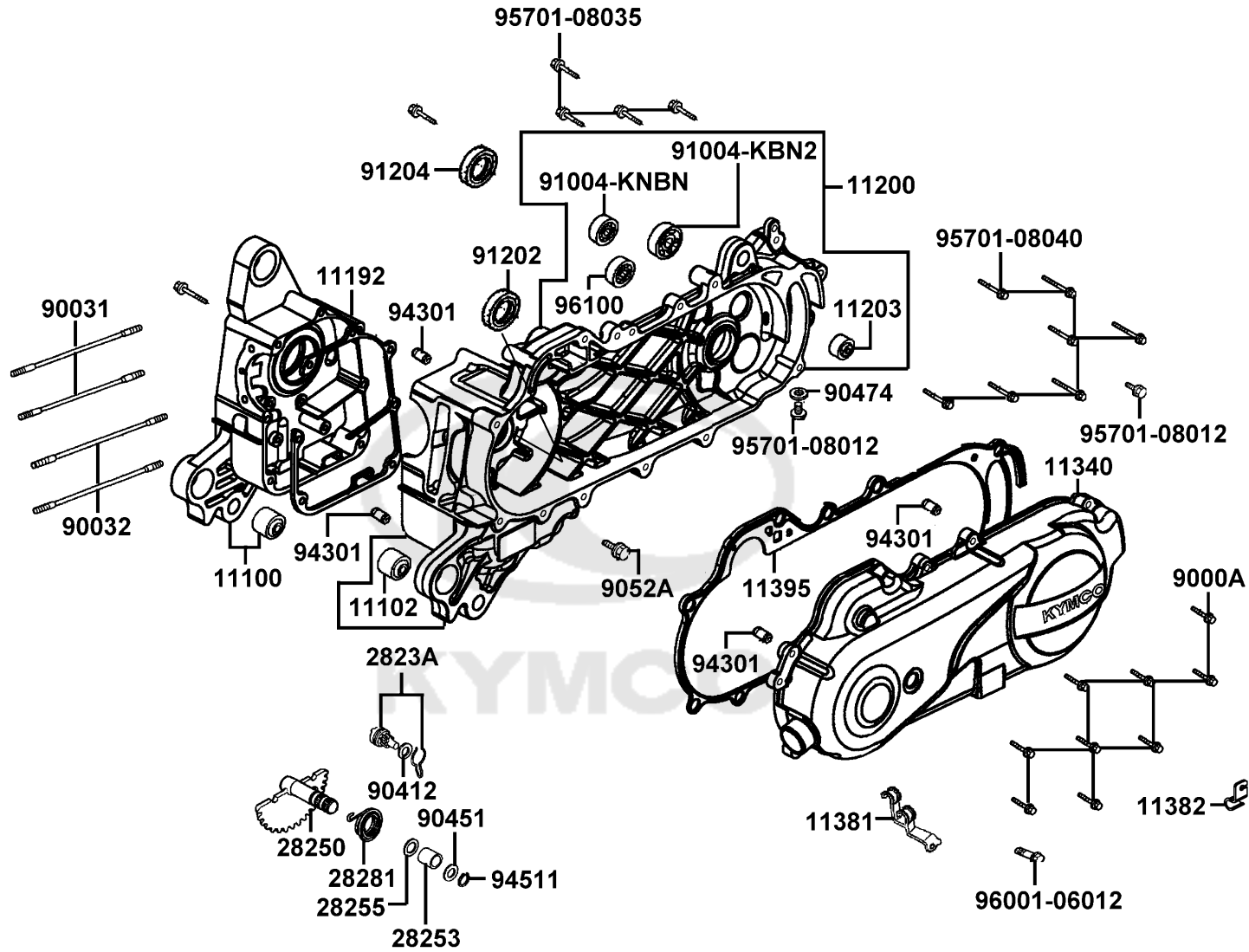


F21 Air Cleaner Two

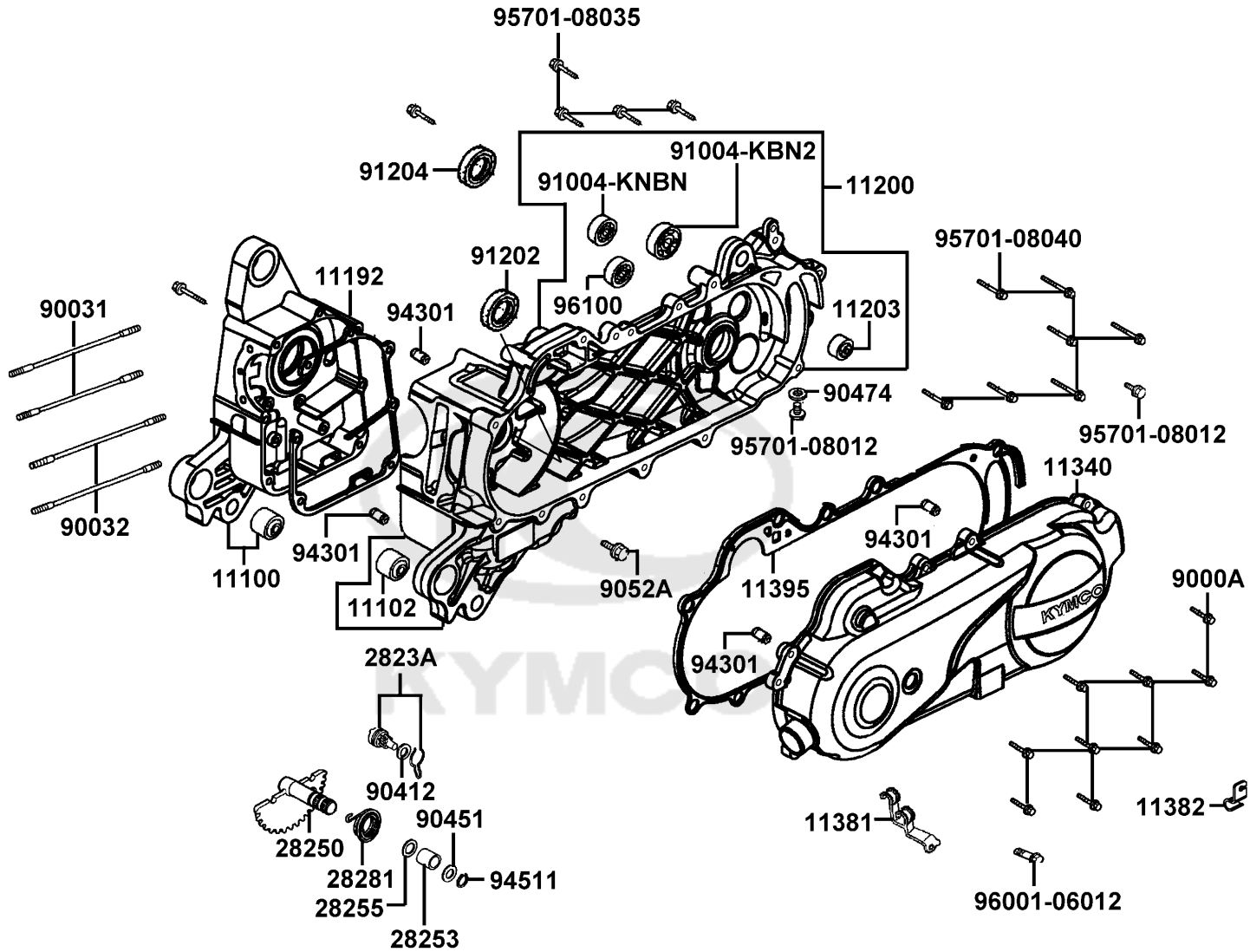


F22 Emblem Stripe

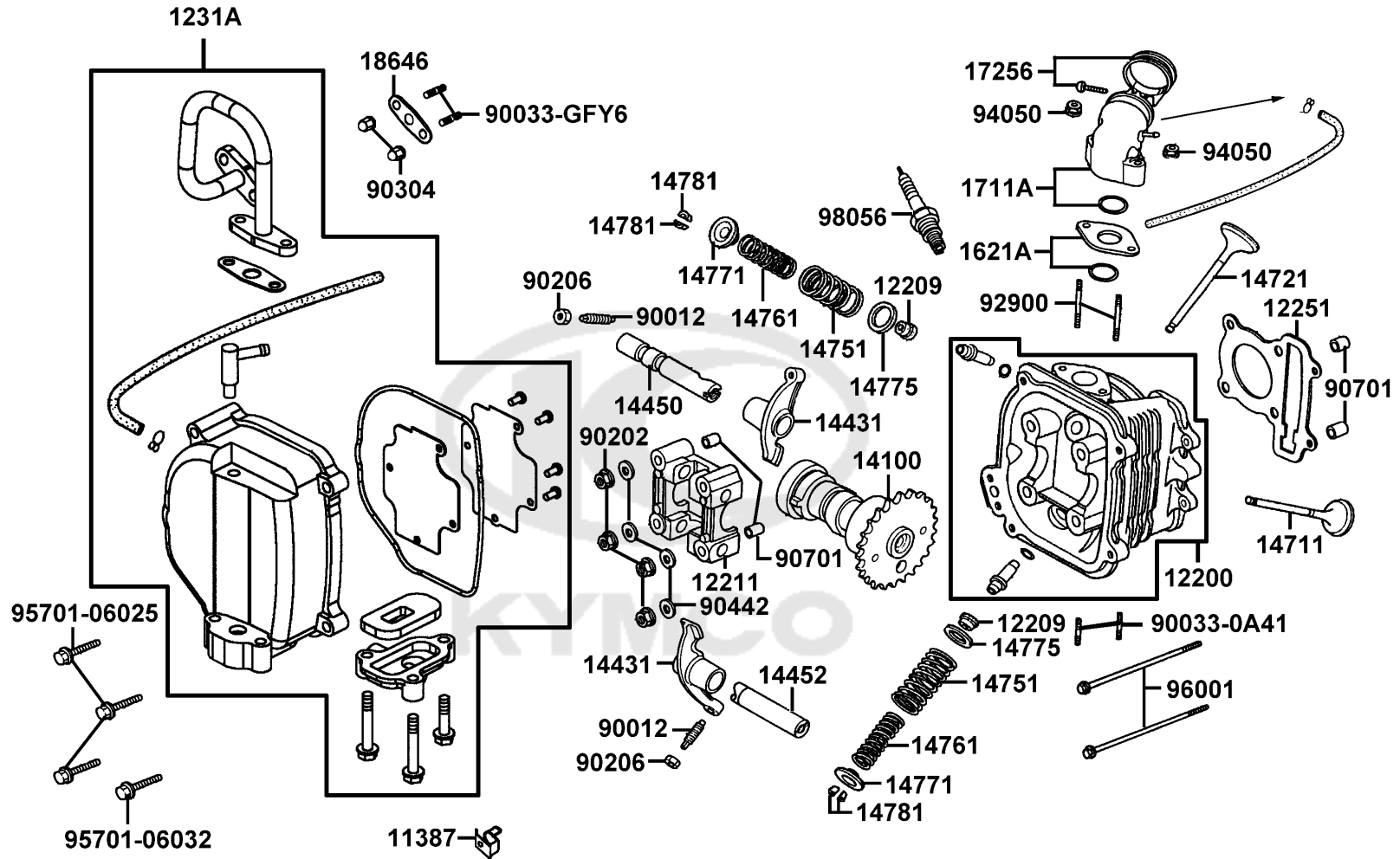




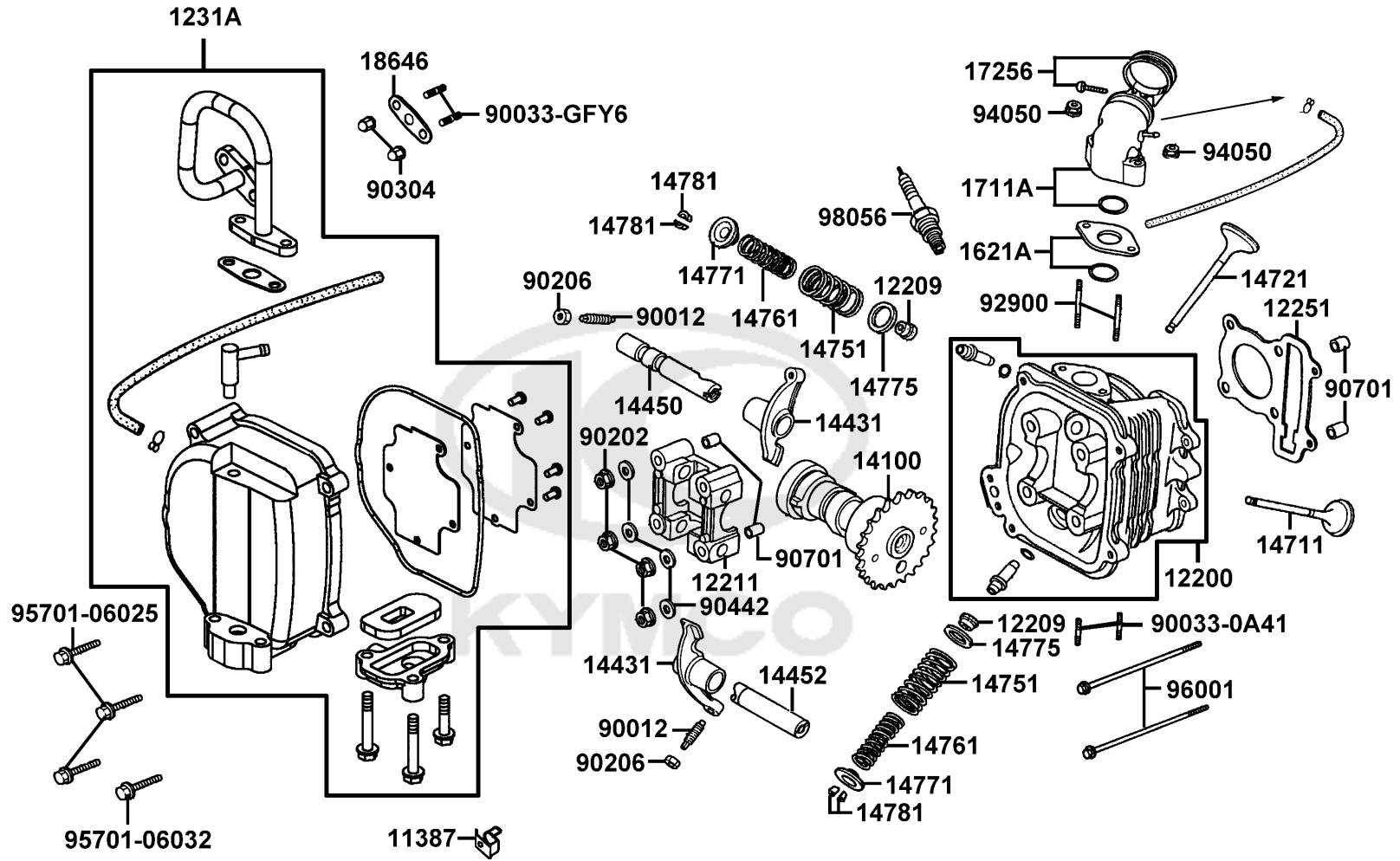
Sales mark	Ref no	Part no	Description	Reg description	Regd no	E01
	11100	11100-KGBG-C00	CRANK CASE COMP RIGHT	CRANK CASE COMP RIGHT	1	
	11102	11102-1G87-C00	RUB BUSH ENG HANGER	RUB BUSH ENG HANGER	1	
	11192	11192-KGBG-C10	GASKET CRANK CASE@A	GASKET CRANK CASE@A	1	
	11200	11200-LBD6-C00	CRANK CASE COMP LEFT	CRANK CASE COMP LEFT	1	
	11203	11203-GGC7-W10	UNDER RUBBER BUSH REAR CUSHION	UNDER RUBBER BUSH REAR CUSHION	1	
**	11340	11340-LBD6-C00	COVER COMP L CRANK CASE	COVER COMP L CRANK CASE	1	
	11381	11381-KHC4-C00	CLAMPER THROTTLE CABLE	CLAMPER THROTTLE CABLE	1	
	11382	11382-LBD6-C00	CLAMPER BRAKE CABLE	CLAMPER BRAKE CABLE	1	
	11395	11395-LBD6-C00	GASKET L COVER	GASKET L COVER	1	
	2823A	2823A-LBD6-C00	GEAR ASSY KICK DRIVEN	GEAR ASSY KICK DRIVEN	1	
	28250	28250-GBN2-C00	SPINDLE COMP KICK STARTER	SPINDLE COMP KICK STARTER	1	
	28253	28253-GBN2-C00	BUSH KICK SPINDLE	BUSH KICK SPINDLE	1	
	28255	28255-GFS6-C00	COLLAR KICK BOSS	COLLAR KICK BOSS	1	
	28281	28281-GBN2-C00	SPRING KICK RETURN	SPRING KICK RETURN	1	
	9000A	9000A-KTDT-C00	BOLT ASSY SPECIAL 6*29.5	BOLT ASSY SPECIAL 6*29.5	9	
	90031	90031-KGBG-C00	BOLT A STUD 7x168	BOLT A STUD 7x168	2	
	90032	90032-KGBG-C00	BOLT B STUD 7*176	BOLT B STUD 7*176	2	
	90412	90412-3K29-C00	WASHER THRUST 10M/M	WASHER THRUST 10M/M	1	
	90451	90451-GBN2-C00	WASHER KICK SPINDLE	WASHER KICK SPINDLE	1	
	90474	90474-3C33-C00	WASHER 8MM(T*2)	WASHER 8MM(T*2)	1	



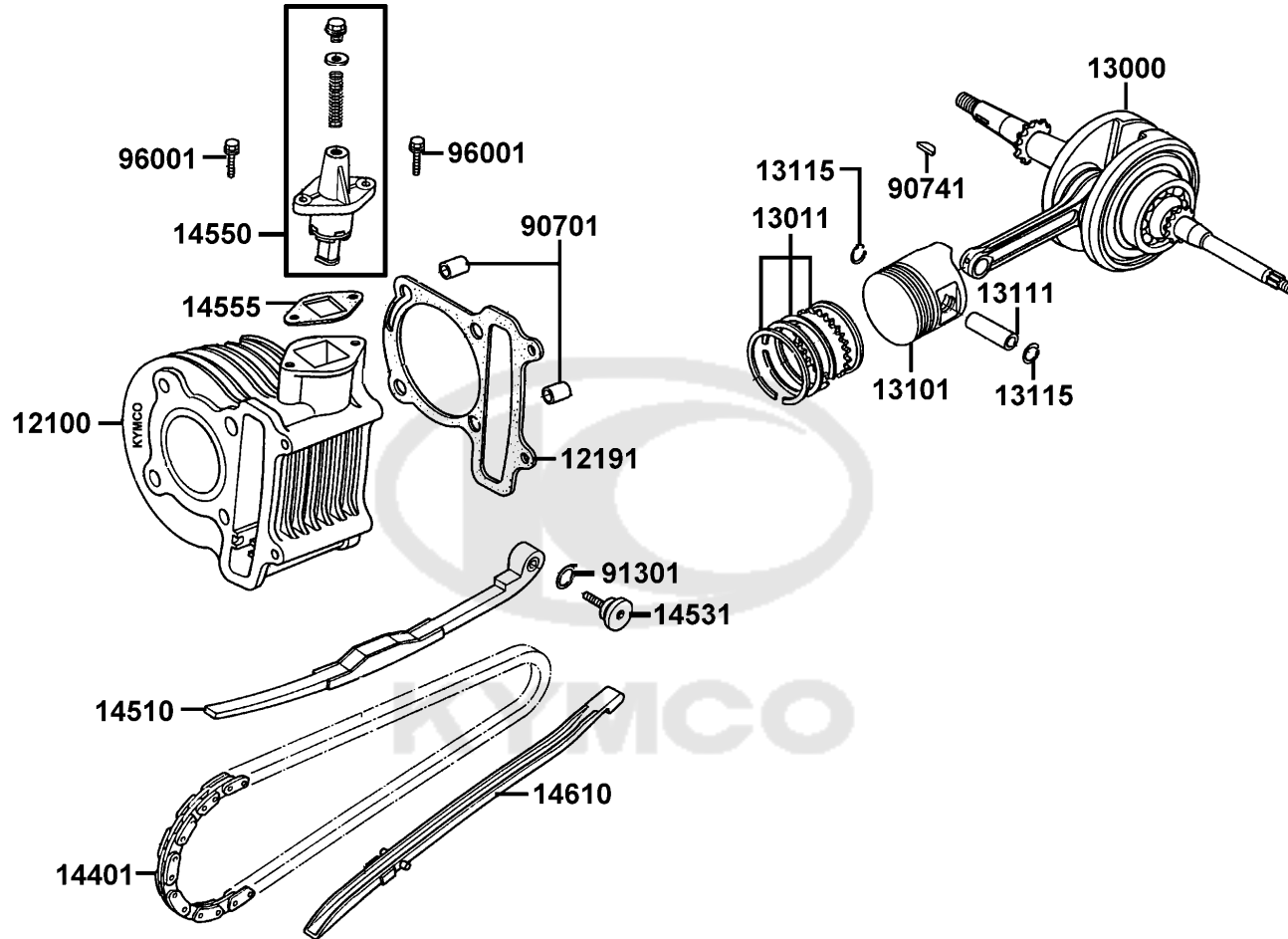
Sales mark	Ref no	Part no	Description	Reg description	Regd no	E01
9052A		9052A-GFY6-C00	BOLT ASSY DRAIN PLUG	BOLT ASSY DRAIN PLUG	1	
91004-KBN2		91004-KBN2-C00	BRG BALL RADIAL 6201	BRG BALL RADIAL 6201	1	
91004-KNBN		91004-KNBN-C00	BRG BALL RADIAL 6203 SPC	BRG BALL RADIAL 6203 SPC	1	
91202		91202-GFY6-C00	OIL SEAL 19.8*30*5	OIL SEAL 19.8*30*5	1	
91204		91204-KNBN-C00	OIL SEAL 17*30*6	OIL SEAL 17*30*6	1	
94301		94301-08140	DOWEL PIN 8*14	PIN DOWEL 8*14	4	
94511		94511-14000	CIRCLIP EX 14	CIR CLIP EX 14	1	
95701-08012		95701-08012-08	BOLT FLANGE 8*12	BOLT FLANGE 8*12	2	
95701-08035		95701-08035-08	BOLT FLANGE 8*35	BOLT FLANGE 8*35 (C)	4	
95701-08040		95701-08040-08	BOLT FLANGE 8*40	BOLT FLANGE 8*40	3	
96001		96001-06012-02	BOLT FLANGE SH 6*12	BOLT FLANGE SH 6*12	1	
96100		96100-62033-00	BEARING BALL RADIAL 6203	BEARING BALL RADIAL 6203	1	



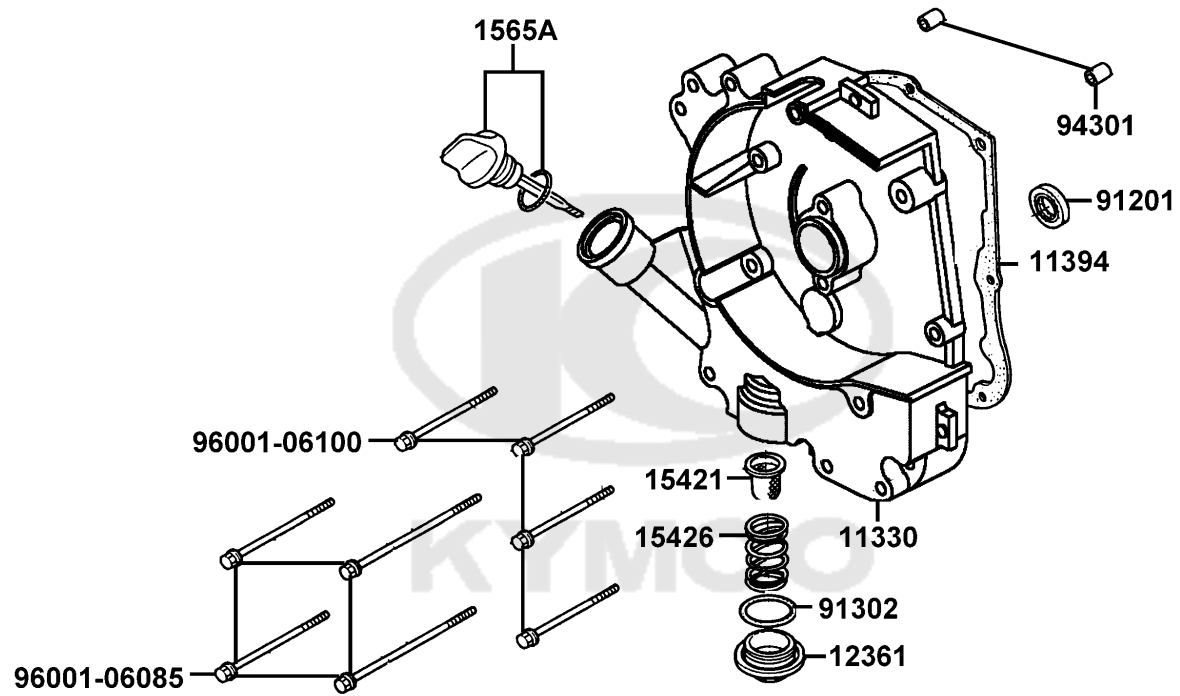
Sales mark	Ref no	Part no	Description	Reg description	Regd no	E02
	11387	11387-KGBG-C00	CLAMPER BREATHER TUBE	CLAMPER BREATHER TUBE	1	
	12200	12200-KGBG-C10	CYLINDER ASSY	CYLINDER ASSY	1	
	12209	12209-GDB4-C00	SEAL VALVE STEM	SEAL VALVE STEM	2	
	12211	12211-KGBG-C00	HOLDER CAM SHAFT	HOLDER CAM SHAFT	1	
	12251	12251-KGBG-C00	GASKET CYLINDER HEAD	GASKET CYLINDER HEAD	1	
	1231A	1231A-KHC5-C10	COVER ASSY HEAD	COVER ASSY HEAD	1	
	14100	14100-KGBG-C00	SHAFT COMP CAM	SHAFT COMP CAM	1	
	14431	14431-KGBG-W10	ARM VALVE ROCKER	ARM VALVE ROCKER	2	
	14450	14450-KGBG-W10	SHAFT COMP IN ROCKER ARM	SHAFT COMP IN ROCKER ARM	1	
	14452	14452-KGBG-W10	SHAFT EXH ROCKER ARM	SHAFT EXH ROCKER ARM	1	
	14711	14711-KGBG-C00	VALVE INLET	VALVE INLET	1	
	14721	14721-KGBG-C00	VALVE EXHAUST	VALVE EXHAUST	1	
	14751	14751-GEN5-C00	SPRING VALVE OUTER	SPRING VALVE OUTER	2	
	14761	14761-KGBG-C00	SPRING VALVE INNER	SPRING VALVE INNER	2	
	14771	14771-GDB4-C00	RETAINER VALVE SPRING	RETAINER VALVE SPRING	2	
	14775	14775-MFA6-C00	SEAT VALVE SPG OUTER	SEAT VALVE SPG OUTER	2	
	14781	14781-MFA6-C00	COTTER VALVE	COTTER VALVE	4	
	1621A	1621A-KGBG-C00	INSULATOR CARB ASSY	INSULATOR CARB ASSY	1	
	1711A	1711A-LDC8-E11	PIPE ASSY,INLET	PIPE ASSY INLET	1	
	17256	17256-KGBG-C00	BAND INSULATOR	BAND INSULATOR	1	



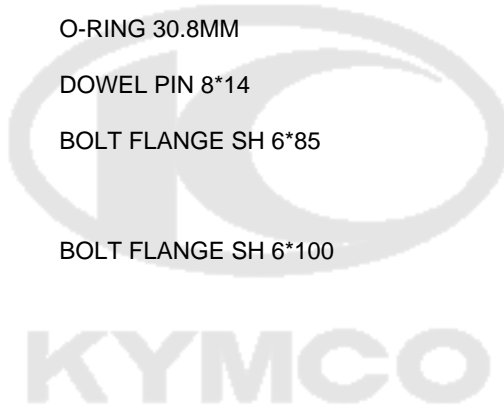
Sales mark	Ref no	Part no	Description	Reg description	Regd no	E02
18646		18646-LDC8-E10	GASKET A/I PIPE	GASKET A/I PIPE	1	
90012		90012-3C33-C00	SCREW TAPPET ADJUSTING	SCREW TAPPET ADJUSTING	2	
90033-0A41		90033-0A41-C00	BOLT STUD 6*32	BOLT STUD 6*32	2	
90033-GFY6		90033-GFY6-C10	BOLT STUD 6*16	BOLT STUD 6*16	1	
90202		90202-GFF6-011	NUT FLANGE 7M/M	NUT FLANGE 7MM	4	
90206		90206-0A01-001	NUT TAPPET ADJG	NUT TAPPET ADJG	2	
90304		90304-4H38-C00	NUT HEX CAP 6MM	NUT HEX CAP 6MM	2	
90442		90442-GFF6-C00	WASHER SEALING 7MM	WASHER SEALING 7MM	4	
90701		90701-GFF6-C00	PIN DOWEL SPECIAL 8*14	PIN DOWEL SPECIAL 8*14	4	
92900		92900-06050-0B	BOLT STUD 6*50	BOLT STUD 6*50	2	
94050		94050-06080	NUT FLANGE 6MM	NUT FLANGE 6MM	2	
95701-06025		95701-06025-08	BOLT FLANGE 6*25	BOLT FLANGE 6*25	3	
95701-06032		95701-06032-08	BOLT FLANGE 6*32	BOLT FLANGE 6*32 (C)	1	
96001		96001-06085-08	BOLT FLANGE SH 6*85	BOLT FLANGE SH 6*85 (C)	2	
98056		98056-5771R	SPARK PLUG	SPARK PLUG	1	

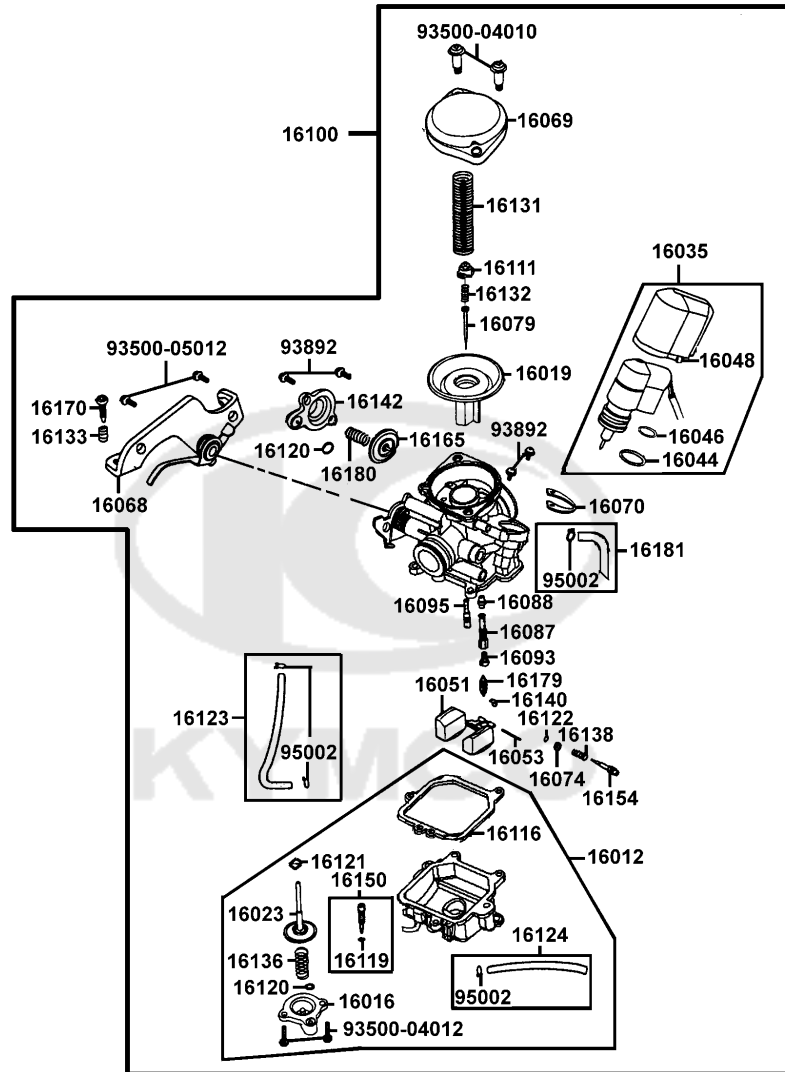


Sales mark	Ref no	Part no	Description	Reg description	Regd no	E03
12100		12100-KGBG-A60	CYLINDER COMP	CYLINDER COMP	1	
12191		12191-KGBG-C10	GASKET CYLINDER	GASKET CYLINDER	1	
13000		13000-LDC5-C00	CRANK SHAFT COMP	CRANK SHAFT COMP	1	
13011		13011-KGBG-C00	RING ASSY PISTON	RING ASSY PISTON	1	
13101		13101-LCB9-B20	PISTON	PISTON	1	
13111		13111-KGBG-C00	PIN PISTON	PIN PISTON	1	
13115		13115-0A01-C00	PISTON PIN CLIP	PISTON PIN CLIP	2	
14401		14401-KGBG-900	CHAIN CAM	CHAIN CAM	1	
14510		14510-KGBG-C00	TENSIONER CAM CHAIN	TENSIONER CAM CHAIN	1	
14531		14531-GLR0-W10	PIVOT CAM CHAIN TENSIONER	PIVOT CAM CHAIN TENSIONER	1	
14550		14550-LDC8-C10	ADJUSTER CAM CHAIN	ADJUSTER CAM CHAIN	1	
14555		14555-KKJ9-C10	GASKET CAM CHAIN ADJUSTER	GASKET CAM CHAIN ADJUSTER	1	
14610		14610-KGBG-C00	GUIDE COMP CAM CHAIN	GUIDE COMP CAM CHAIN	1	
90701		90701-GFF6-C00	PIN DOWEL SPECIAL 8*14	PIN DOWEL SPECIAL 8*14	2	
90741		90741-0E35-C00	KEY WOODRUFF	KEY WOODRUFF	1	
91301		91301-GLR0-W10	O-RING 15.2*1.5	O-RING 15.2*1.5	1	
96001		96001-06018-08	BOLT FLANGE SH 6*18	BOLT FLANGE SH 6*18	2	

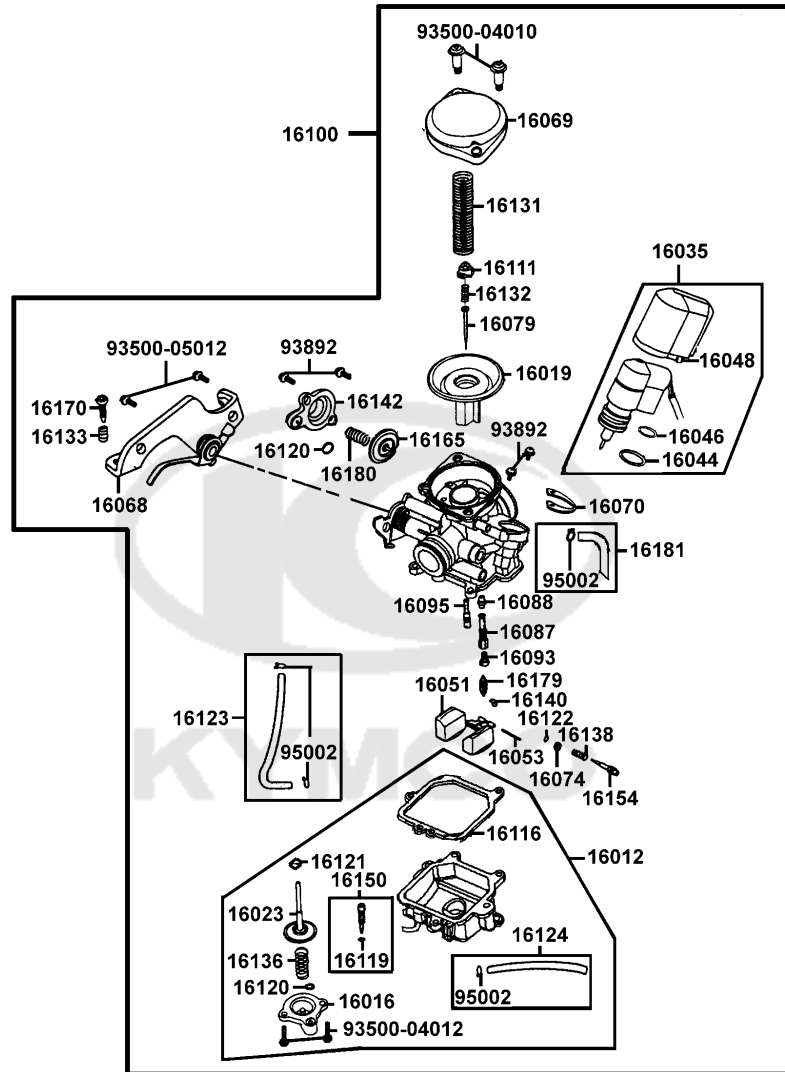


Sales mark	Ref no	Part no	Description	Reg description	Regd no	E04
11330		11330-LBD6-C00	COVER COMP R CRANK CASE	COVER COMP R CRANK CASE	1	
11394		11394-KGBG-C10	GASKET R COVER	GASKET R COVER	1	
12361		12361-GFY6-C00	HOLE CAP TAPPET ADJUSTING	HOLE CAP TAPPET ADJUSTING	1	
15421		15421-1G07-W10	SCREEN OIL FILTER	SCREEN OIL FILTER	1	
15426		15426-GAE1-C00	SPG OIL FILTER SCREEN	SPG OIL FILTER SCREEN	1	
1565A		1565A-LDC8-C10	GAUGE OIL LEVEL ASSY	GAUGE OIL LEVEL ASSY	1	
91201		91201-KGBG-C00	OIL SEAL 16.4*30*5	OIL SEAL 16.4*30*5	1	
91302		91302-0A01-C00	O-RING 30.8MM	O-RING 30.8MM	1	
94301		94301-08140	DOWEL PIN 8*14	PIN DOWEL 8*14	2	
96001-06085		96001-06085-08	BOLT FLANGE SH 6*85	BOLT FLANGE SH 6*85 (C)	4	
96001-06100		96001-06100-08	BOLT FLANGE SH 6*100	BOLT FLANGE 6*100	4	

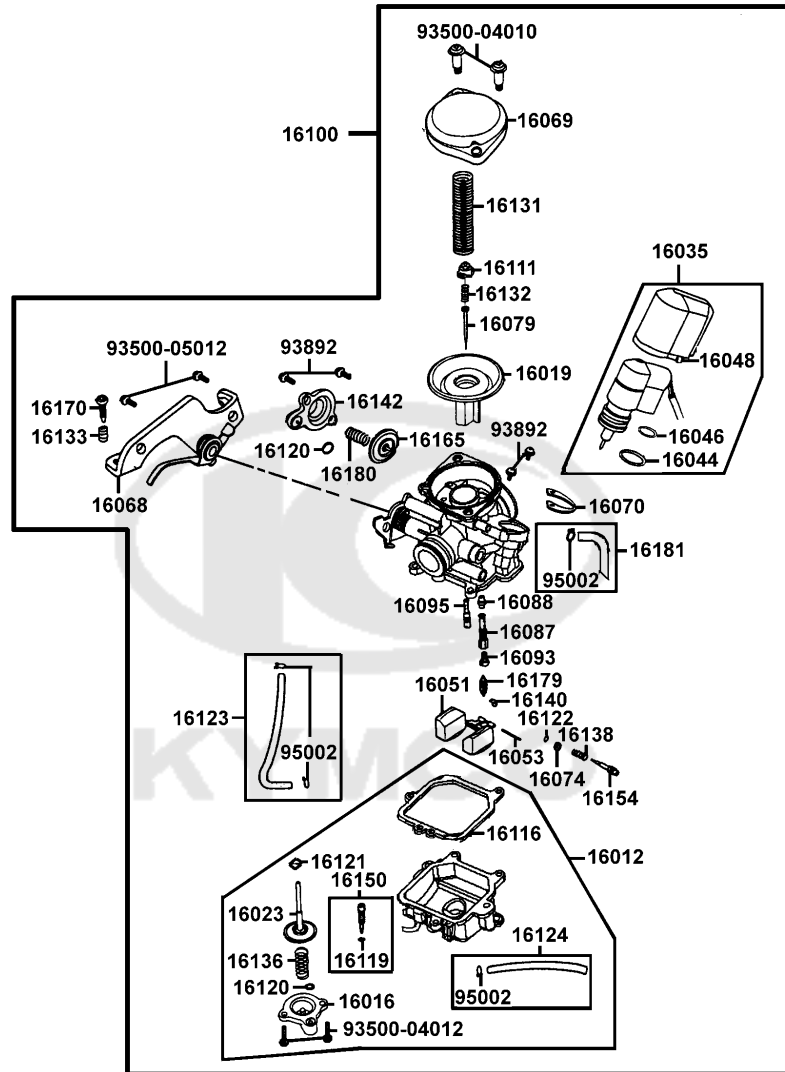




Sales mark	Ref no	Part no	Description	Reg description	Regd no	E05
	16012	16012-LDC8-E10	CHAMBER COMPL FLOAT	CHAMBER ASSY FLOAT	1	
	16016	16016-KGC5-900	COVER ACCP	COVER ACCP	1	
	16019	16019-KGC5-900	VALVE ASSY PISTON	VALVE ASSY PISTON	1	
	16023	16023-KGC5-900	DIAPHRAGM ASSY ACCP	DIAPHRAGM ASSY ACCP	1	
	16035	16035-LDC8-900	UNIT BY-ST	UNIT BY-ST	1	
	16044	16044-KEC3-900	SEAL A BY-ST	SEAL A BY-ST	1	
	16046	16046-KEC3-900	SEAL A BY-ST	EAL A BY-ST	1	
	16048	16048-KEC3-900	CAP BY-ST	CAP BY-ST	1	
	16051	16051-KGC5-90A	BODY FLOAT	BODY FLOAT	1	
	16053	16053-KEC3-900	PIN FLOAT	PIN FLOAT	1	
	16068	16068-KGC5-900	PLATE WIRE FIXED COMP	PLATE WIRE FIXED COMPL	1	
	16069	16069-KGC5-900	COVER PISTON VALVE DIAPHRAGM	COVER PISTON VALVE DIAPHRAGM	1	
	16070	16070-KEC3-900	STOPPER BY-ST	STOPPER BY-ST	1	
	16074	16074-KEC3-900	WASHER IDLE SCREW	WASHER IDLE ADJUST SCREW	1	
	16079	16079-KHC4-900	NEEDLE ASSY JET	NEEDLE ASSY JET	1	
	16087	16087-LAB4-900	TUBE MAIN EMULSION	TUBE MAIN EMULSION	1	
	16088	16088-KEC5-900	JET NEEDLE	JET NEEDLE	1	
	16093	16093-KEC3-080	JET MAIN	JET MAIN	1	
	16095	16095-KGC5-038	JET SLOW	JET SLOW	1	
	16100	16100-ALC8-E61	CARBURETOR ASSY	CARBURETOR ASSY	1	

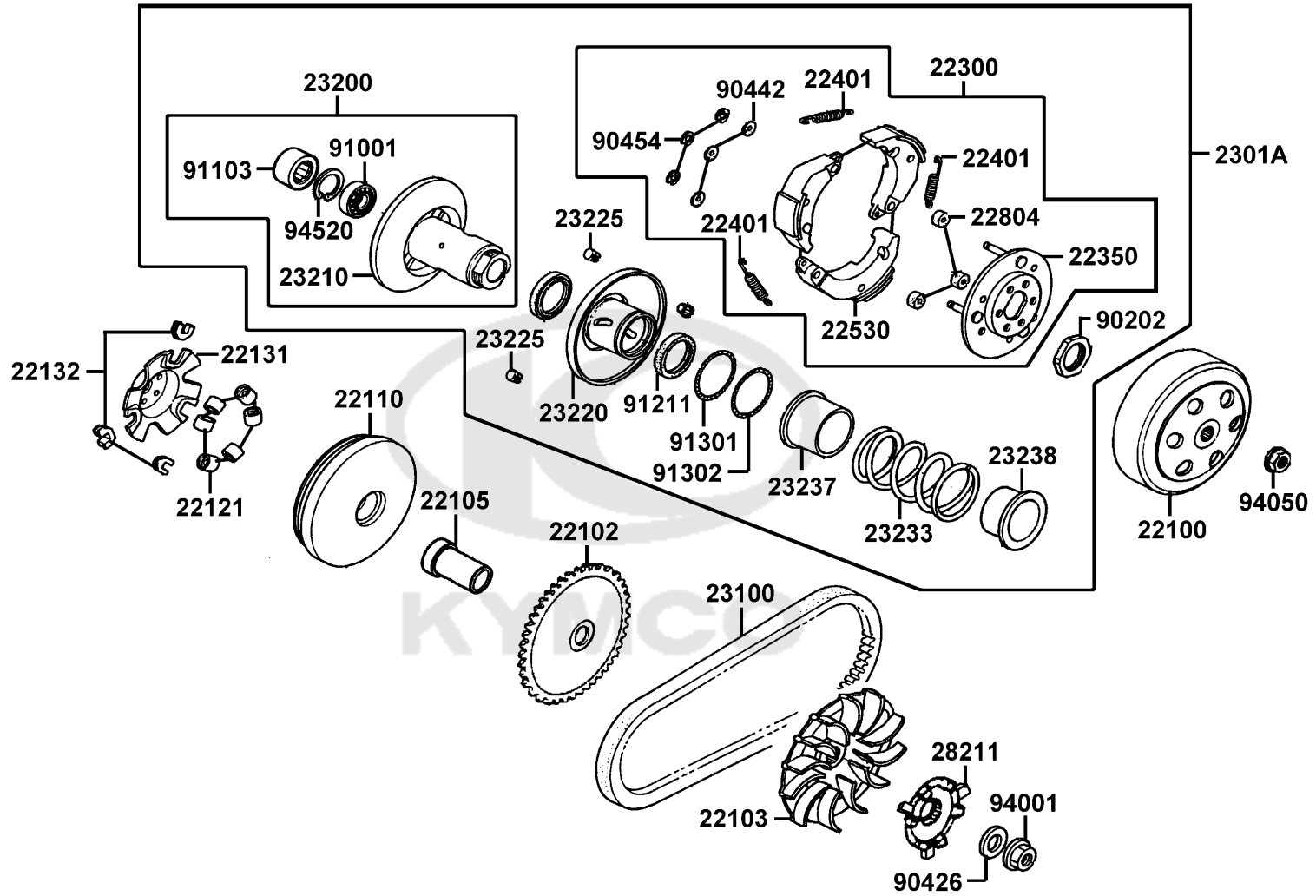


Sales mark	Ref no	Part no	Description	Reg description	Regd no	E05
	16111	16111-KEC3-900	STOPPER JET NEEDLE SPG	STOPPER JET NEEDLE SPG	1	
	16116	16116-KGC5-900	PACKING FLOAT CHAMBER	PACKING FLOAT CHAMBER	1	
	16119	16119-KEC3-900	O-RING	O-RING	1	
	16120	16120-KEC3-900	O-RING ACCP	O-RING ACCP	1	
	16121	16121-KEC3-900	BELLOWS ACCP ROD	BELLOWS ACCP ROD	1	
	16122	16122-KEC3-900	O-RING IDLE SCREW	O-RING IDLE SCREW	1	
	16123	16123-KGC5-900	TUBE COMP 3.5X180	TUBE COMPL 3.5*180	1	
	16124	16124-KEC3-900	TUBE COMPL 3.5*300	TUBE COMPL 3.5*300	1	
	16131	16131-KGC5-900	SPG PISTON VALVE RETURN	SPG PISTON VALVE RETURN	1	
	16132	16132-KEC5-900	SPRING JET NEEDLE	SPRING JET NEEDLE	1	
	16133	16133-KGC5-900	SPRING THROTTLE ADJUST SCREW	SPRING THROTTLE ADJUST SCREW	1	
	16136	16136-KGC5-900	SPRING ACCP DIAPHRAGM	SPRING ACCP DIAPHRAGM	1	
	16138	16138-KEC3-900	SPG IDLE ADJ SCREW	SPRING IDLE ADJUST SCREW	1	
	16140	16140-KEC3-900	CLIP FLOAT VALVE	CLIP FLOAT VALVE	1	
	16142	16142-KGC5-900	COVER ACV	COVER ACV	1	
	16150	16150-KEC3-900	SCREW COMPL DRAIN	SCREW COMPL DRAIN	1	
	16154	16154-KGC5-900	SCREW IDLE ADJUST	SCREW IDLE ADJ	1	
	16165	16165-KGC5-900	DIAPHRAGM	DIAPHRAGM COMP	1	
	16170	16170-KGC5-900	SCREW THROTTLE ADJ	SCREW THROTTLE ADJUST	1	
	16179	16179-KEC3-900	VALVE ASSY FLOAT	FLOAT VALEV ASSY	1	

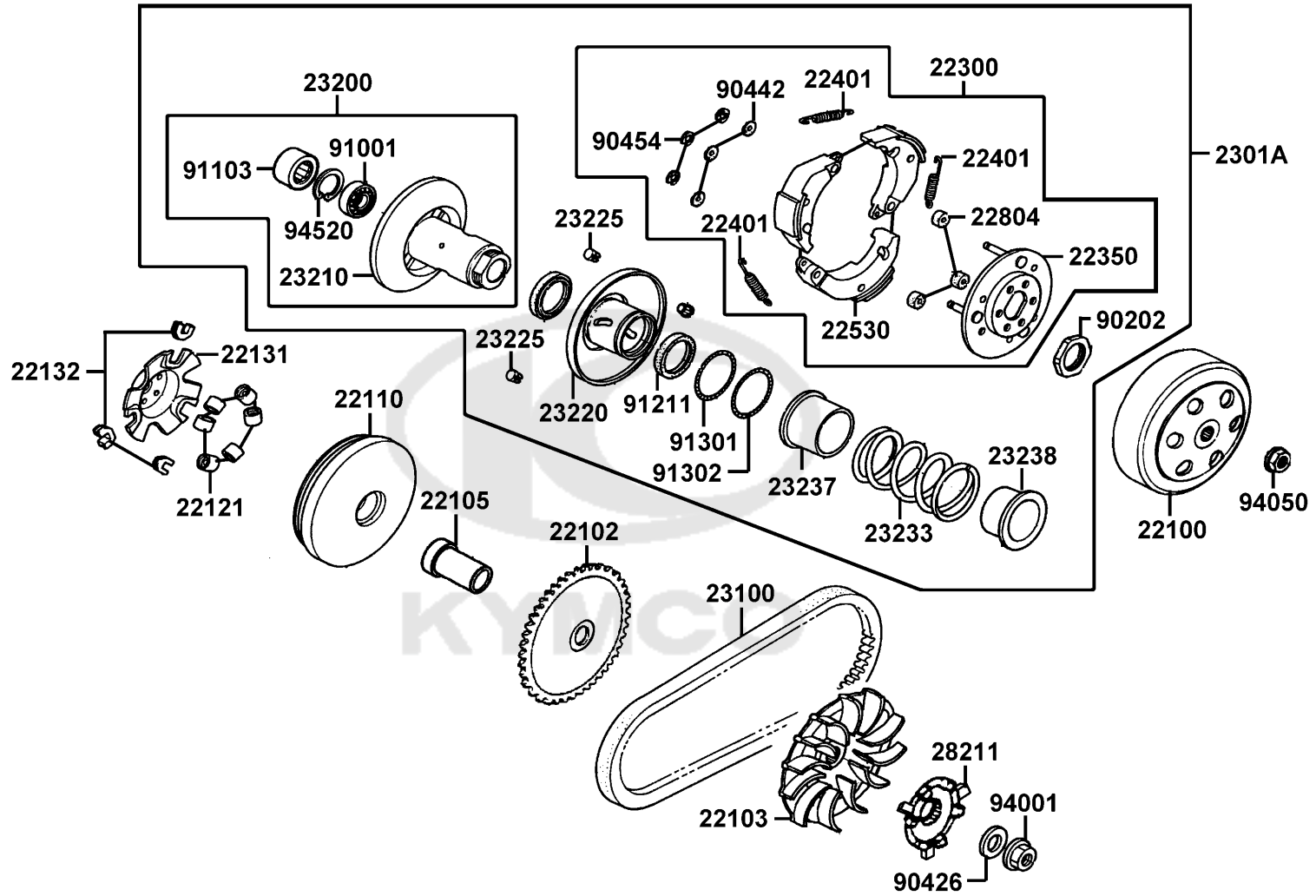


Sales mark	Ref no	Part no	Description	Reg description	Regd no	E05
16180		16180-KGC5-900	SPG ACV	SPRING ACV	1	
16181		16181-KEC3-900	TUBE AIR VENT	TUBE AIR VENT	1	
93500-04010		93500-04010-1A	SCREW 4*10	SCREW PAN 4*10(B)	2	
93500-04012		93500-04012-1H	SCREW PAN	SCREW PAN	5	
93500-05012		93500-05012-1A	SCREW 5*12	SCREW PAN 5*12(B)	3	
93892		93892-04008-18	SCREW WASHER	SCREW WASHER 4*8	4	
95002		95002-02070	CLIP B7 TUBE	CLIP B7 TUBE	3	

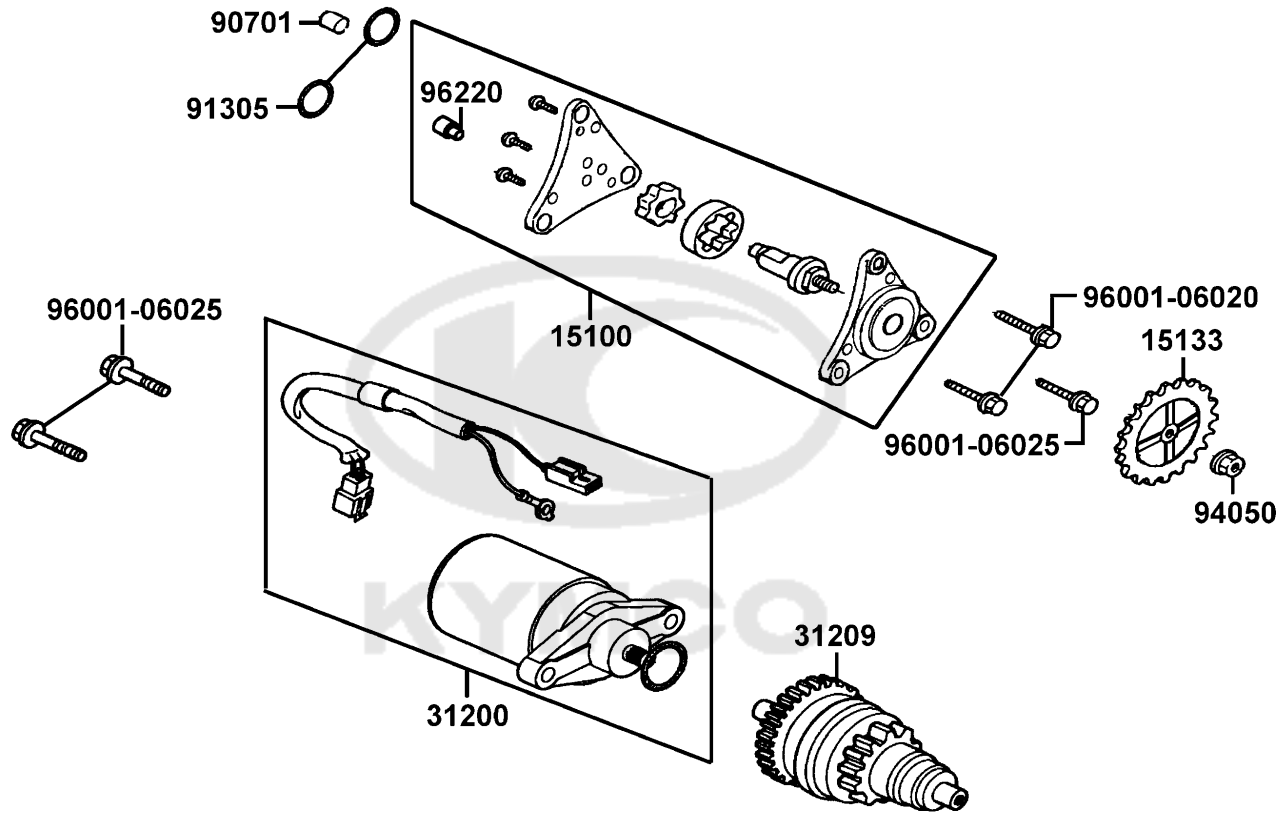




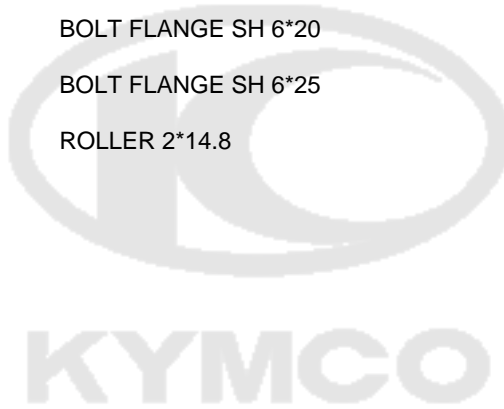
Sales mark	Ref no	Part no	Description	Reg description	Regd no	E06
22100		22100-LDC8-C10	CLUTCH OUTER	CLUTCH OUTER	1	
22102		22102-LDC8-E10	FACE DRIVE	FACE DRIVE	1	
22103		22103-KEB7-C00	FAN CVT COOLING	FAN CVT COOLING	1	
22105		22105-LBD6-C00	BOSS DRIVE FACE	BOSS DRIVE FACE	1	
22110		22110-LDC8-E10	FACE COMP MOVABLE DRIVE	FACE COMP MOVABLE DRIVE	1	
22121		22121-LBD6-C00	ROLLER COMP WEIGHT 6.5g	ROLLER COMP WEIGHT 6.5g	6	
22131		22131-GHAH-C00	PLATE RAMP	PLATE RAMP	1	
22132		22132-GLW0-C00	PIECE SLIDE	PIECE SLIDE	3	
22300		22300-GGAG-750	PLATE ASSY DRIVE	PLATE ASSY DRIVE	1	
22350		22350-GKAK-C00	PLATE COMP DRIVE	PLATE COMP DRIVE	1	
22401		22401-LDC8-E10	SPRING CLUTCH	SPRING CLUTCH	1	
22530		22530-GKAK-C00	WEIGHT CLUTCH	WEIGHT CLUTCH	3	
22804		22804-1H48-C00	RUBBER CLUTCH DUMPER	RUBBER CLUTCH DUMPER	3	
2301A		2301A-LDC8-C10	PULLEY SUB ASSY	PULLEY SUB ASSY	1	
23100		23100-KEB7-C00	BELT DRIVE	BELT DRIVE	1	
23200		23200-LDC8-C10	FACE ASSY DRIVEN	FACE ASSY DRIVEN	1	
23210		23210-LDC8-C10	FACE COMP DRIVEN	FACE COMP DRIVEN H1	1	
23220		23220-LDC8-C10	FACE COMP MOVABLE	FACE COMP MOVABLE	1	
23225		23225-GAR1-C00	PIN GUIDE	PIN GUIDE	3	
23233		23233-KEE1-C10	SPG DRIVEN FACE	SPG DRIVEN FACE	1	



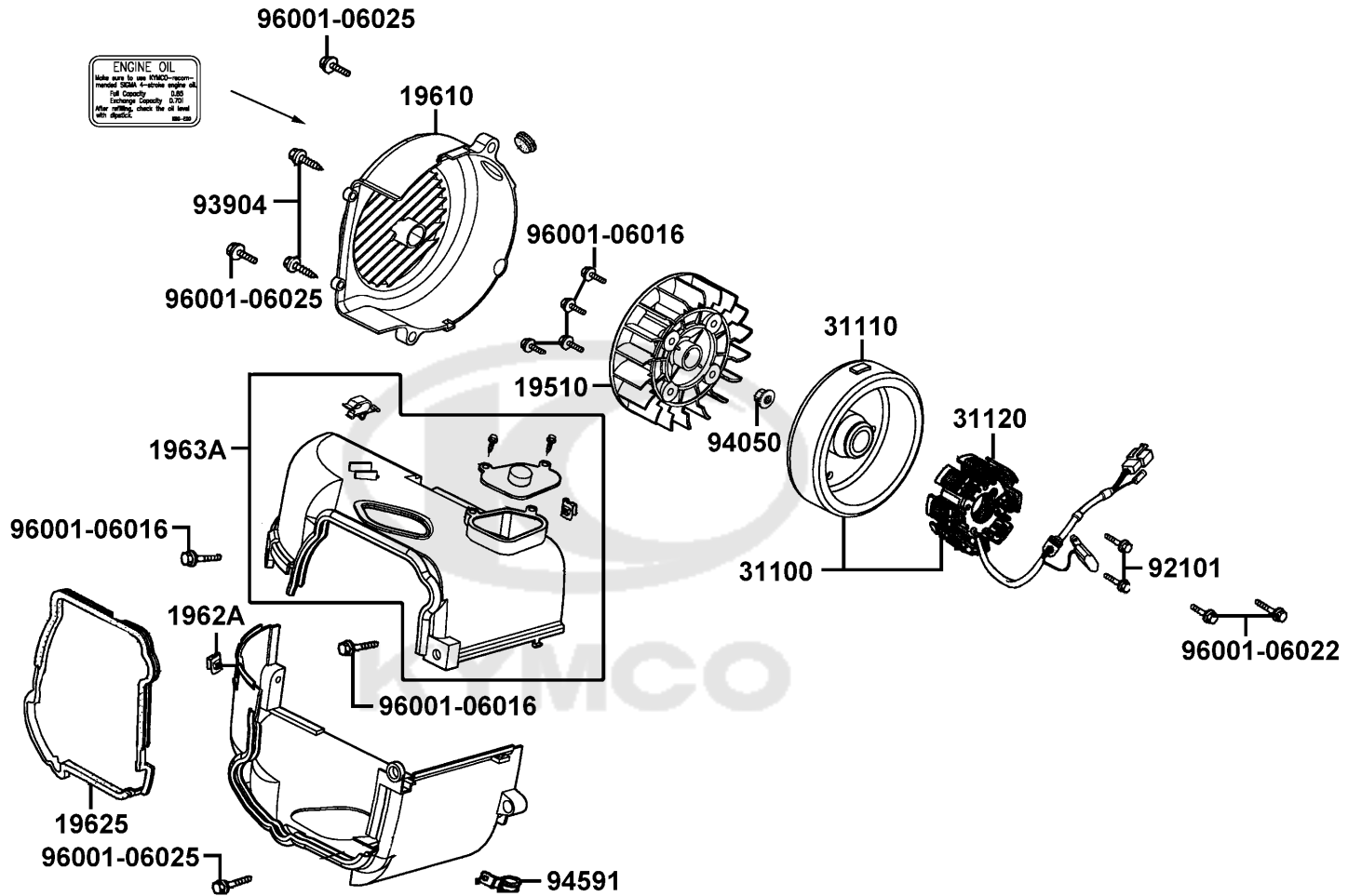
Sales mark	Ref no	Part no	Description	Reg description	Regd no	E06
23237		23237-GAR1-C00	COLLAR SEAL	COLLAR SEAL	1	
23238		23238-GGS7-C00	COLLAR SPG	COLLAR SPG	1	
28211		28211-KEB7-W10	RATCHET KICK STARTER	RATCHET KICK STARTER	1	
90202		90202-1G87-C00	NUT SPECIAL 28MM	NUT SPECIAL 28MM	1	
90426		90426-KNBN-C00	WASHER SPECIAL 12MM	WASHER SPECIAL 12MM	1	
90442		90442-0D44-C00	WASHER THRUST 6M/M	WASHER THRUST 6M/M	3	
90454		90454-GBB2-C00	CIR CLIP 6MM	CIR CLIP 6MM	3	
91001		91001-GGA7-C00	BRG RADIAL BALL 6901U	BRG RADIAL BALL 6901U	1	
91103		91103-GAR1-C00	BRG NEEDLE 17*25*18 WS	BRG NEEDLE 17x25x18 WS	1	
91211		91211-KEE1-C00	OIL SEAL 34*39*3	OIL SEAL 34*39*3	2	
91301		91301-KEE1-C00	O-RING 36*1.5	O-RING 36*1.5	1	
91302		91302-KEE1-C00	O-RING 39.8*2.2	O-RING 39.8*2.2	1	
94001		94001-12280-0S	NUT HEX 12MM	NUT HEX 12MM (C)	1	
94050		94050-10080	NUT FLANGE 10MM	NUT FLANGE 10MM	1	
94520		94520-24000	CIR CLIP IN 24	CIR CLIP IN 24	1	



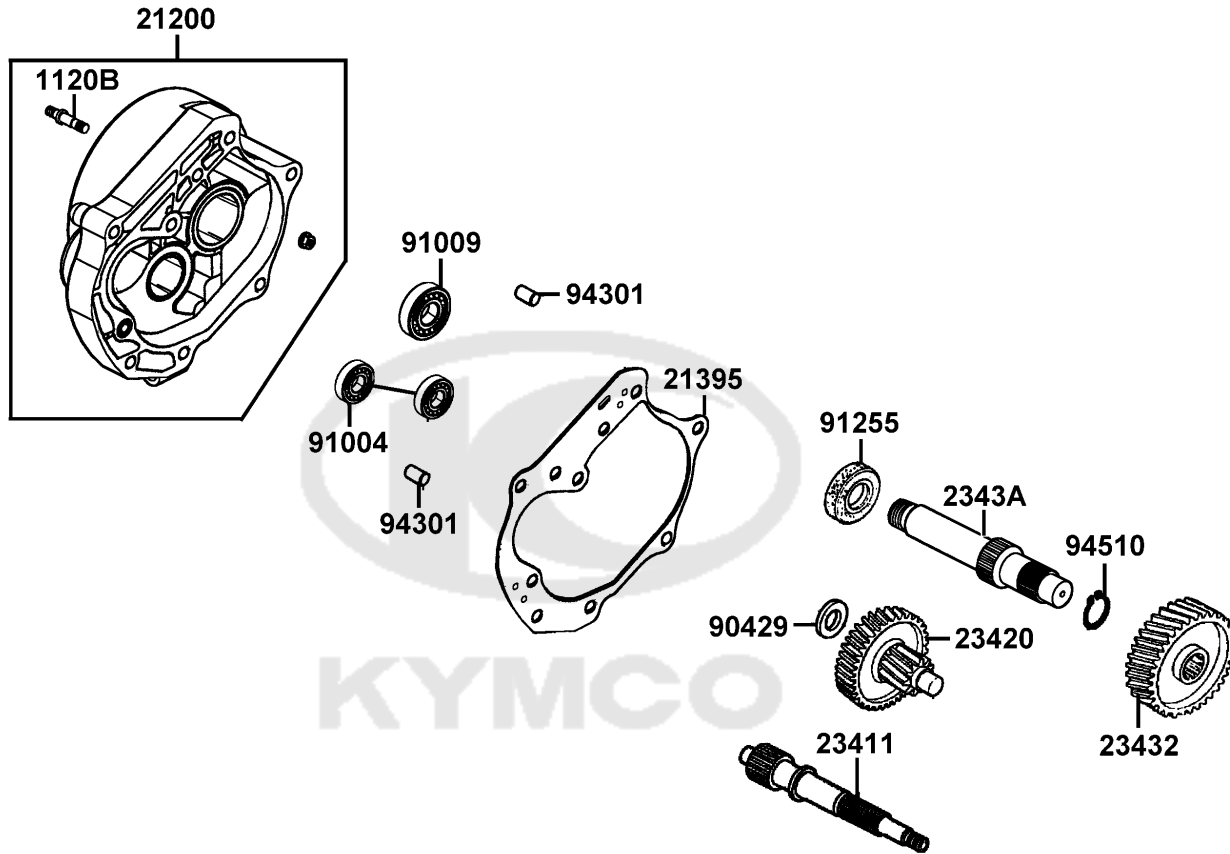
Sales mark	Ref no	Part no	Description	Reg description	Regd no	E07
15100		15100-LDC5-C00	PUMP ASSY OIL	PUMP ASSY OIL	1	
15133		15133-LDC5-C00	GEAR OIL PUMP DRIVEN	GEAR OIL PUMP DRIVEN	1	
31200		31200-LDC8-E10	MOTOR ASSY START	MOTOR ASSY START	1	
31209		31209-KEE1-C00	PINION ASSY STARTER	PINION ASSY STARTER	1	
90701		90701-HDC4-C00	DOWEL PIN 8*12	DOWEL PIN 8*12	1	
91305		91305-0H28-C00	O-RING 9*1.6	O-RING 9*1.6	2	
94050		94050-06080	NUT FLANGE 6MM	NUT FLANGE 6MM	1	
96001-06020		96001-06020-08	BOLT FLANGE SH 6*20	BOLT FLANGE SH 6*20	2	
96001-06025		96001-06025-08	BOLT FLANGE SH 6*25	BOLT FLANGE SH 6*25	3	
96220		96220-LDC5-C00	ROLLER 2*14.8	ROLLER 2*14.8	1	



Fan Cover Generator



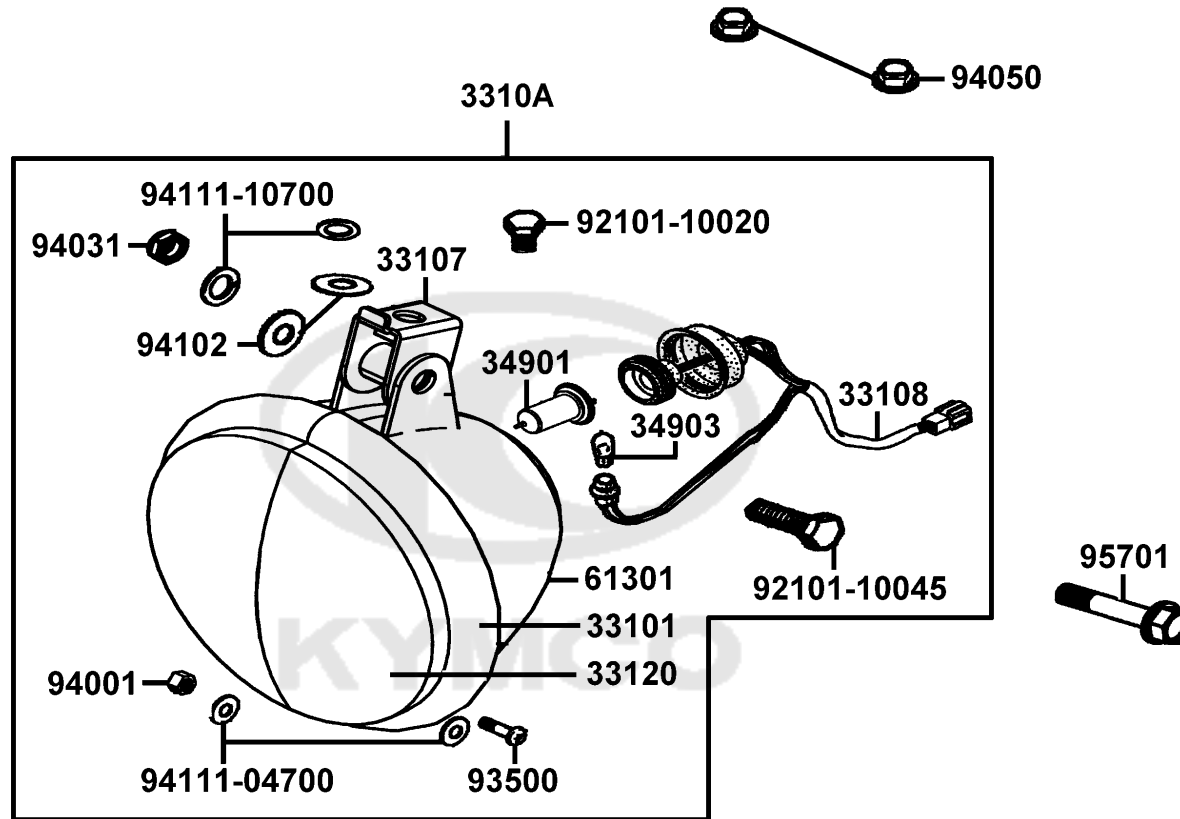
Sales mark	Ref no	Part no	Description	Reg description	Regd no	E08
19510		19510-LDC5-C00	FAN COMP COOLING	FAN COMP COOLING	1	
19610		19610-LFC2-E10	COVER COMP FAN	COVER COMP FAN	1	
19625		19625-KEE1-C00	SEAL SHROUND	SEAL SHROUND	1	
1962A		1962A-KEE1-C00	SHROCD ASSY A	SHROCD ASSY A	1	
1963A		1963A-LDC8-E10	SHROUD ASSY B	SHROUD ASSY B	1	
31100		31100-LDC8-E11	AC GEN ASSY	AC GEN ASSY	1	
31110		31110-LEJ2-E11	FLYWHEEL COMP	FLYWHEEL COMP	1	
31120		31120-LDC8-E10	STATOR COMP	STATOR COMP	1	
92101		92101-05012-0H	BOLT HEX 5*12	BOLT HEX 5*12	2	
93904		93904-35380	SCREW TAPPING 5*16	SCREW TAPPING 5*16 (K)	2	
94050		94050-10080	NUT FLANGE 10MM	NUT FLANGE 10MM	1	
94591		94591-LDC8-E10	CLIP BIND	CLIP BIND	1	
96001-06016		96001-06016-08	BOLT FLANGE SH 6*16	BOLT FLANGE SH 6*16	6	
96001-06022		96001-06022-08	BOLT FLANGE SH 6*22	BOLT FLANGE SH 6*22	2	
96001-06025		96001-06025-08	BOLT FLANGE SH 6*25	BOLT FLANGE SH 6*25	3	



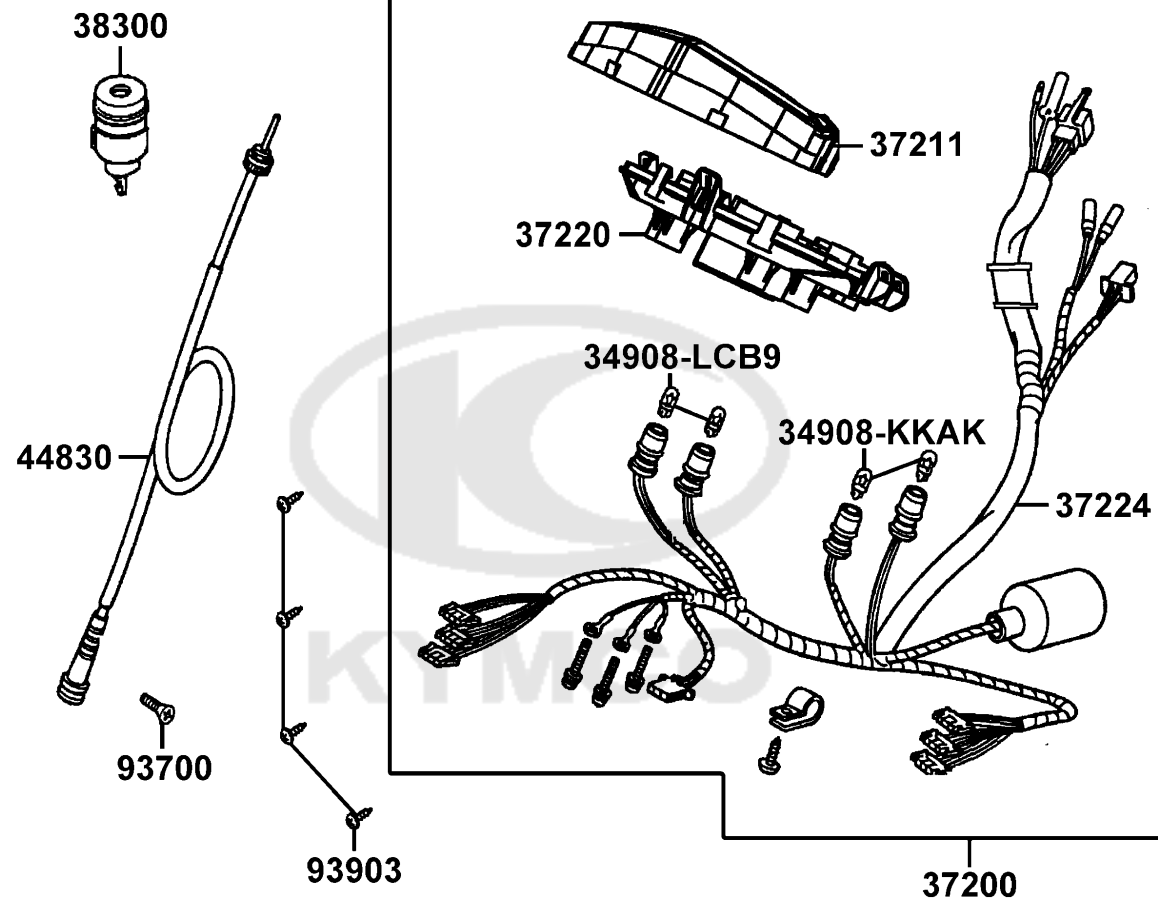
Sales mark	Ref no	Part no	Description	Reg description	Regd no	E09
1120B		1120B-KGN7-C00	PIN ASSY ANCHOR	PIN ASSY ANCHOR	1	
21200		21200-KFA1-900	CASE COMP MISSION	CASE COMP MISSION	1	
21395		21395-KNBN-C10	GASKET MISSION CASE@A	GASKET MISSION CASE@A	1	
23411		23411-ALC8-E60	SHAFT DRIVE	SHAFT DRIVE	1	
23420		23420-ALC8-E60	SHAFT COMP COUNTER	SHAFT COMP COUNTER	1	
23432		23432-ALC8-E60	GEAR FINAL	GEAR FINAL	1	
2343A		2343A-KNBN-C00	SHAFT FINAL	SHAFT FINAL	1	
90429		90429-KNBN-C00	WASHER SIDE 12MM	WASHER SIDE 12MM	1	
91004		91004-KBN2-C00	BRG BALL RADIAL 6201	BRG BALL RADIAL 6201	2	
91009		91009-GLE0-C00	BRG BALL RADIAL 6004 UU	BRG BALL RADIAL 6004 UU	1	
91255		91255-LDC8-E10	OIL SEAL 27*42*7	OIL SEAL 27*42*7	1	
94301		94301-10200	DOWEL PIN 10*20	DOWEL PIN 10*20	2	
94510		94510-20000	CIR CLIP EX 20	CIR CLIP 20MM	1	

F01

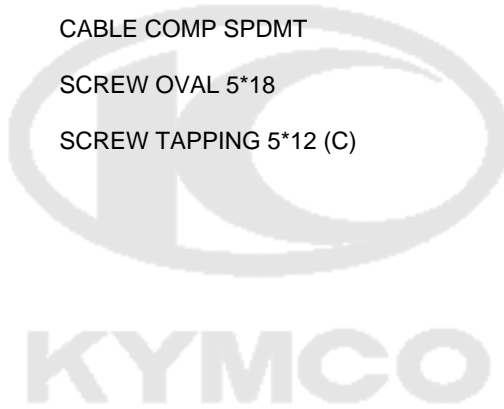
Head Light



Sales mark	Ref no	Part no	Description	Reg description	Regd no	F01
33101		33101-ALC8-E60	RIM	RIM	1	
33107		33107-ALC8-E60	BRKT COMP FIXED	BRKT COMP FIXED	1	
33108		33108-ALC8-E60	SOCKET COMP LIGHT HEAD	SOCKET COMP LIGHT HEAD	1	
3310A		3310A-ALC8-E60	SET HEAD LIGHT	SET HEAD LIGHT	1	
33120		33120-ALC8-E60	LIGHT COMP HEAD	LIGHT COMP HEAD	1	
34901		34901-LDC8-E10	BULB HEAD LIGHT	BULB HEAD LIGHT	1	
34903		34903-LDC8-E10	BULB POSITION	BULB POSITION	1	
61301		61301-ALC8-E60	CASE COMP HEAD LIGHT	CASE COMP HEAD LIGHT	1	
92101-10020		92101-10020-0G	BOLT HEX 10*20	BOLT HEX 10*20	1	
92101-10045		92101-10045-0G	BOLT HEX 10*45	BOLT HEX 10*45	1	
93500		93500-04035-0G	SCREW PAN 4*35	SCREW PAN 4*35	1	
94001		94001-04007-0S	NUT HEX 4MM	NUT HEX 4MM	1	
94031		94031-10700	NUT HEX 10MM	NUT HEX 10MM	1	
94050		94050-06080	NUT FLANGE 6MM	NUT FLANGE 6MM	2	
94102		94102-10700	WASHER PLAIN 10MM (K)	WASHER PLAIN 10MM (K)	1	
94111-04700		94111-04700	WASHER SPG 4MM (K)	WASHER SPG 4MM (K)	2	
94111-10700		94111-10700	WASHER SPG 10MM	WASHER SPG 10MM	2	
95701		95701-10020-07	BOLT FLANGE 10*20	BOLT FLANGE 10*20	1	

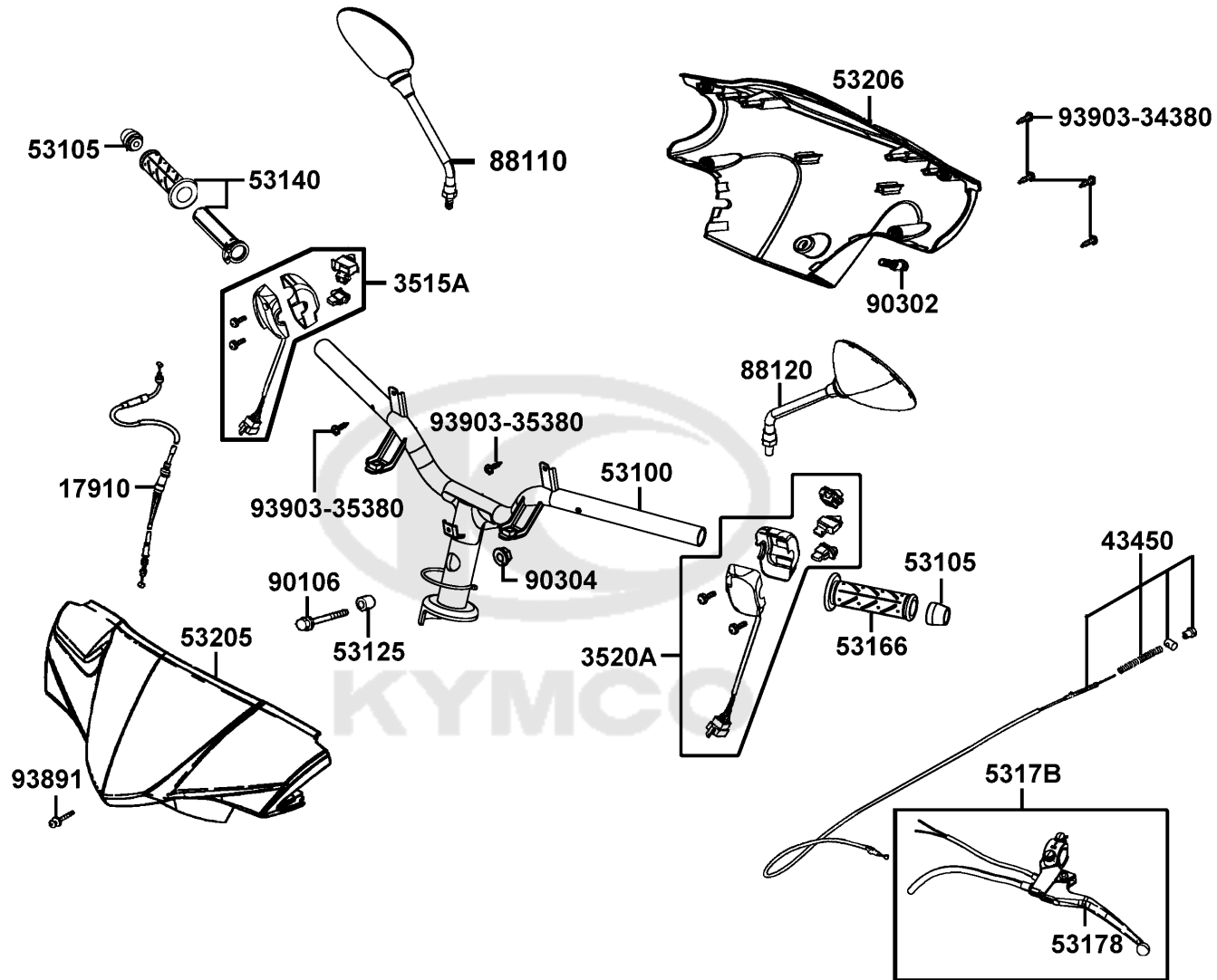


Sales mark	Ref no	Part no	Description	Reg description	Regd no	F02
34908-KKAK		34908-KKAK-C00	BULB WEDGE BASE T6.5(12V,1.7W)	BULB WEDGE BASE T6.5(12V,1.7W)	2	
34908-LCB9		34908-LCB9-C10	BULB WEDGE BASE T10	BULB WEDGE BASE T10	2	
37200		37200-ALC9-E10	METER ASSY SPEED	METER ASSY SPEED	1	
37211		37211-LCB9-C10	LENS COMP METER	LENS COMP METER	1	
37220		37220-LCB9-C10	CASE ASSY	CASE ASSY	1	
37224		37224-ALC9-E10	SOCKET COMP METER	SOCKET COMP METER	1	
38300		38300-KECE-W10	RELAY ASS'Y WINKER	RELAY ASS'Y WINKER	1	
44830		44830-LDC8-E10	CABLE COMP SPDMT	CABLE COMP SPDMT	1	
93700		93700-05018-0H	SCREW OVAL 5*18	SCREW OVAL 5*18 (C)	1	
93903		93903-25220	SCREW TAPPING 5*12 (C)	SCREW TAPPING 5*12 (C)	4	



F03

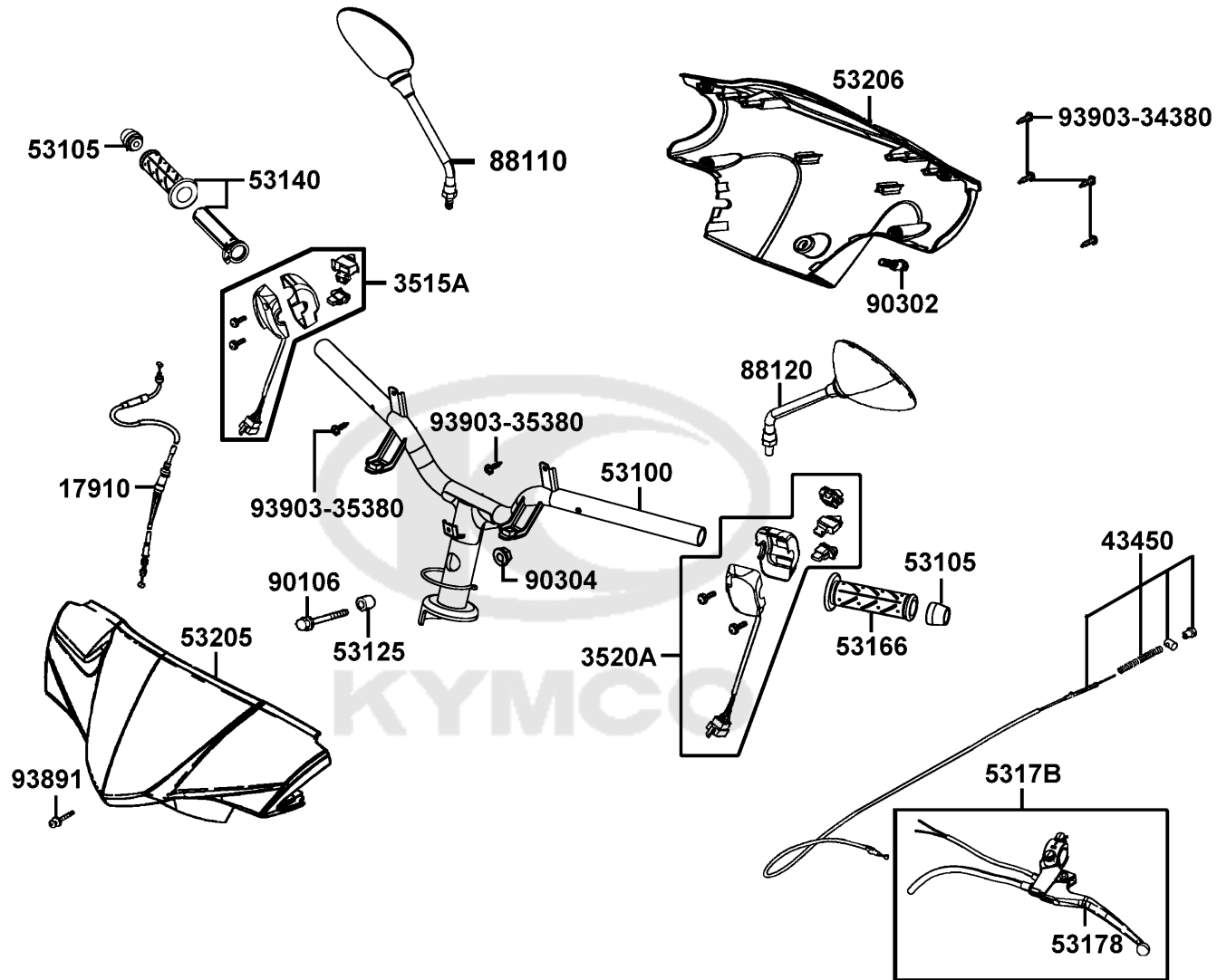
Handle Steering Handle Cover



Sales mark	Ref no	Part no	Description	Reg description	Regd no	F03
	17910	17910-LDC8-E10	CABLE COMP THROT	CABLE COMP THROT	1	
	3515A	3515A-LGB5-E10	SW ASSY RH HNDL COMP	SW ASSY RH HNDL COMP	1	
	3520A	3520A-LGB5-E10	SW ASSY LH HANDLE COMP	SW ASSY LH HANDLE COMP	1	
	43450	43450-LDC8-C00	CABLE COMP RR BRK	CABLE COMP RR BRK	1	
	53100	53100-LCB9-C10	HANDLE COMP STRG	HANDLE COMP STRG	1	
	53105	53105-KNBN-C00	END STRG HANDLE	END STRG HANDLE	2	
	53125	53125-GEN5-C00	COLLAR HANDLE SET	COLLAR HANDLE SET	1	
**	53140	53140-KNBN-C00	GRIP COMP THROT	GRIP COMP THROT	1	
**	53166	53166-KNBN-C00	GRIP L HANDLE	GRIP L HANDLE	1	
	53178	53178-LGB6-E10	"LEVER L ,STRG HANDL"	"LEVER L ,STRG HANDL"	1	
	5317B	5317B-LGB6-E10	BRKT ASSY HNDL LH	BRKT ASSY HNDL LH	1	
**	53205	53205-LEB9-B50	COVER HANDLE FR	COVER HANDLE FR	1	
**	53206	53206-LCB9-C10	COVER HANDLE RR	COVER HANDLE RR	1	
	88110	88110-LCB9-C10	MIRROR ASSY R BACK	MIRROR ASSY R BACK	1	
	88120	88120-LCB9-C10	MIRROR ASSY L BACK	MIRROR ASSY L BACK	1	
	90106	90106-GEN5-901	BOLT FLANGE 10*50	BOLT FLANGE 10*50	1	
	90302	90302-KNBN-C00	BOLT PAN 5*10	BOLT PAN 5*10	1	
	90304	90304-GHE8-C00	NUT U 10MM(C)	NUT U 10MM(C)	1	
	93891	93891-05035-07	SCREW WASHER 5*35 (K)	SCREW WASHER 5*35 (K)	1	
	93903-34380	93903-34380	SCREW TAPPING 4*12	SCREW TAPPING 4*12	4	

F03

Handle Steering Handle Cover



Sales mark	Ref no	Part no	Description	Reg description	Regd no	F03
------------	--------	---------	-------------	-----------------	---------	------------

93903-35380

93903-35380

SCREW TAPPING 5*16 (K)

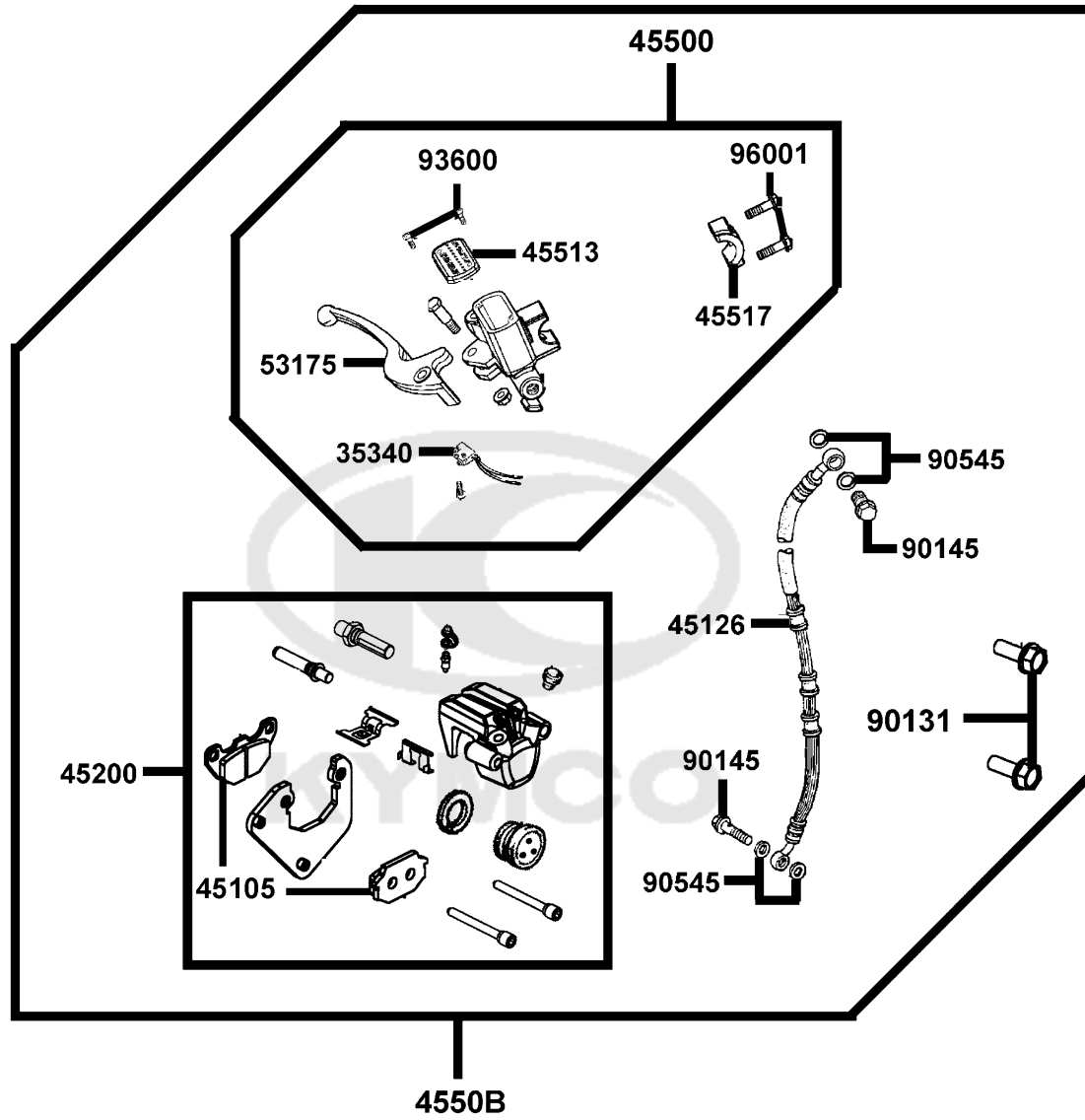
SCREW TAPPING 5*16 (K)

2

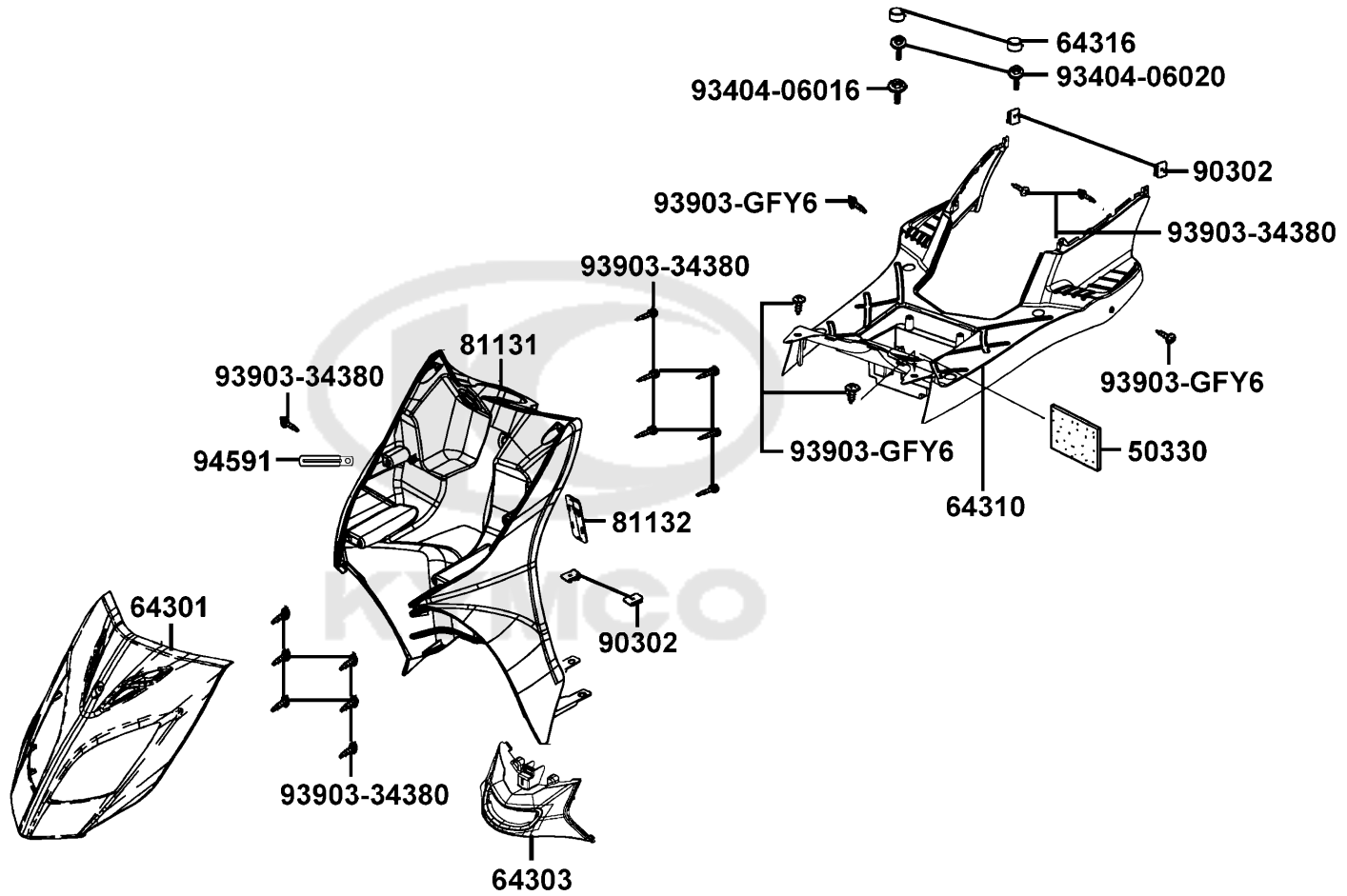


F04

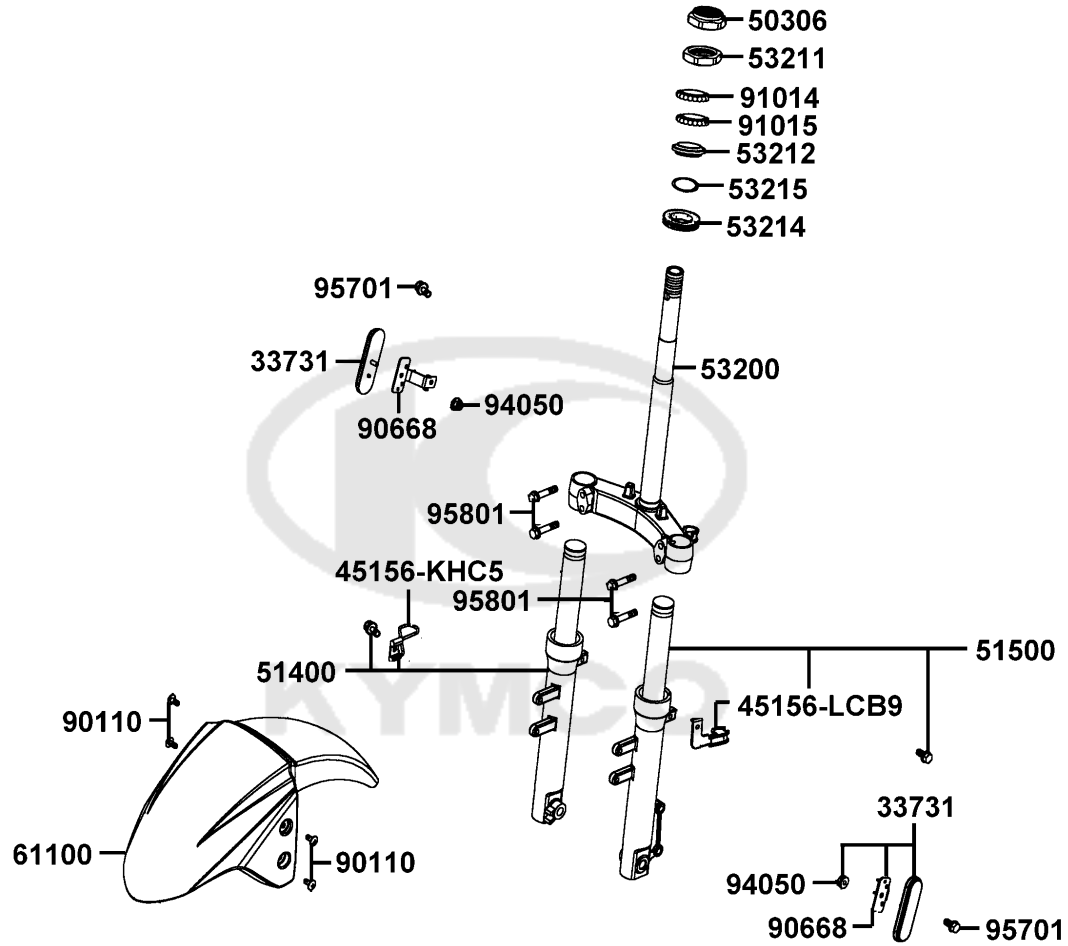
Brake Master Cylinder



Sales mark	Ref no	Part no	Description	Reg description	Regd no	F04
	35340	35340-KNBN-901	SW ASSY FR STOP	SW ASSY FR STOP	1	
	45105	45105-LFC2-305	PAD COMP A&B	PAD COMP A&B	1	
	45126	45126-ALC8-E60	HOSE ASSY FR BRK	HOSE ASSY FR BRK	1	
**	45200	45200-ALA9-E70	CALIPER ASSY FR BRK	CALIPER ASSY FR BRK	1	
	45500	45500-LDC8-E10	M/C ASSY FR	M/C ASSY FR	1	
	4550B	4550B-ALC8-E60	SUB ASSY FR BRK	SUB ASSY FR BRK	1	
	45513	45513-KAFA-900	CAP M/C	CAP M/C	1	
	45517	45517-KFAF-910	HOLDER M/C	HOLDER M/C	1	
**	53175	53175-LDC8-E10	LEVER R STRG HNDL	LEVER R STRG HNDL	1	
	90131	90131-GLW0-C00	BOLT FLANGE 8*35	BOLT FLANGE 8*35	2	
	90145	90145-9A61-C00	OIL BOLT 10*22	OIL BOLT 10*22	2	
	90545	90545-3L00-C00	WASHER OIL BOLT	WASHER OIL BOLT	4	
	93600	93600-04012-1G	SCREW FLAT 4*12	SCREW FLAT 4*12	2	
	96001	96001-06025-00	BOLT FLANGE SH 6*25	BOLT FLANGE SH 6*25	2	



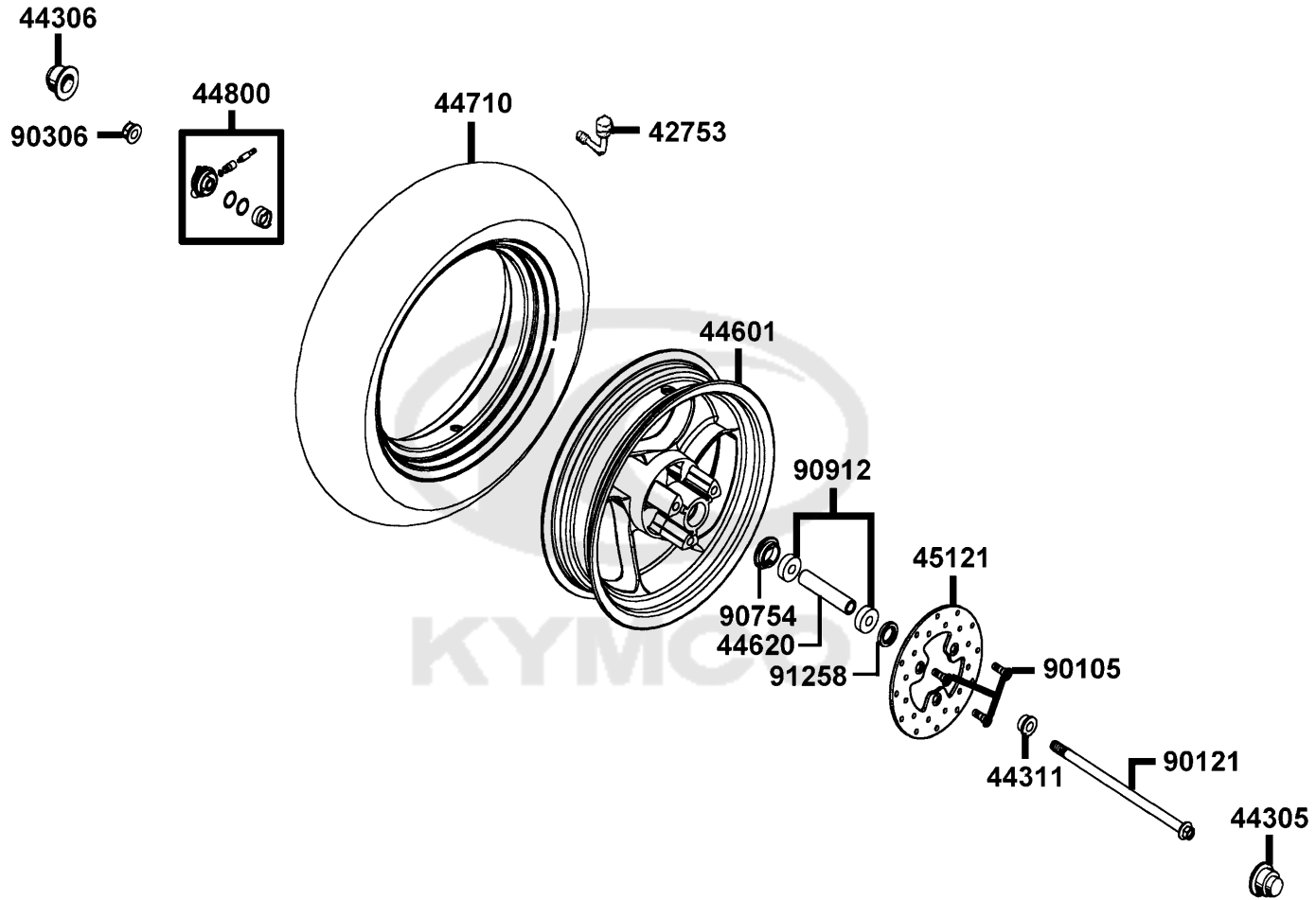
Sales mark	Ref no	Part no	Description	Reg description	Regd no	F05
	50330	50330-KEBE-C00	SEAL BATTERY FRONT	SEAL BATTERY FRONT	1	
**	64301	64301-ALA9-E70	COVER FR.	COVER FR.	1	
**	64303	64303-ALC9-E10	LID FR COVER	LID FR COVER	1	
**	64310	64310-LCB9-C10	PANEL FLOOR	PANEL FLOOR	1	
**	64316	64316-LCB9-C10	PLUG FLOOR	PLUG FLOOR	2	
**	81131	81131-ALA9-E70	LEG SHIELD	LEG SHIELD	1	
**	81132	81132-LCB9-C10	Xc	Xc	1	
	90302	90302-SDA4-C00	NUT SPRING 4MM	NUT SPRING 4MM	4	
	93404-06016	93404-06016-07	BOLT WASHER 6*16 (K)	BOLT WASHER 6*16 (K)	1	
	93404-06020	93404-06020-07	BOLT WASHER 6*20 (K)	BOLT WASHER 6*20 (K)	2	
	93903-34380	93903-34380	SCREW TAPPING 4*12	SCREW TAPPING 4*12	14	
	93903-GFY6	93903-GFY6-C00	SCREW TAPPING 4*14	SCREW TAPPING 4*14	4	
	94591	94591-27000	CLIP 2*70	CLIP 2*70	1	



Sales mark	Ref no	Part no	Description	Reg description	Regd no	F06
	33731	33731-KGB5-C00	REFLEX REFLECTOR,SIDE	REFLEX REFLECTOR,SIDE	2	
	45156-KHC5	45156-KHC5-E10	CLAMPER FR BRAKE HOSE	CLAMPER FR BRK HOSE	1	
	45156-LCB9	45156-LCB9-B20	CLAMPER FR SPDMT CABLE	CLAMPER FR SPDMT CABLE	1	
	50306	50306-1F96-C00	NUT STRG STEM LOCK	NUT STRG STEM LOCK	1	
	51400	51400-LDF7-E10	FORK ASSY R FR	FORK ASSY R FR	1	
	51500	51500-LDF7-E10	FORK ASSY L FR	FORK ASSY L FR	1	
	53200	53200-ALC8-E60	STEM ASSY STRG	STEM ASSY STRG	1	
	53211	53211-GFY6-C00	RACE STRG TOP CONE	RACE STRG TOP CONE	1	
	53212	53212-2L50-C00	RACE (STRG BOTTOM) CONE	RACE (STRG BOTTOM) CONE	1	
	53214	53214-2L50-C00	DUST SEAL STRG HEAD	DUST SEAL STRG HEAD	1	
	53215	53215-2L50-C00	WASHER STRG HDL DUST-SEAL	WASHER STRG HDL DUST-SEAL	1	
**	61100	61100-LDC8-E10	FENDER FR	FENDER FR	1	
	90110	90110-KEB7-C00	SCREW SPECIAL 6*14	SCREW SPECIAL 6*14	4	
	90668	90668-LDC8-E10	STAY SIDE REFLECTOR	STAY SIDE REFLECTOR	1	
	91014	91014-LLJ3-C00	CAGE STRG TOPP	CAGE STRG TOPP	1	
	91015	91015-LLJ3-C00	CAGE STRG BOT	CAGE STRG BOT	1	
	94050	94050-05080	NUT FLANGE 5MM	NUT FLANGE 5MM	1	
	95701	95701-06012-08	BOLT FLANGE 6*12	BOLT FLANGE 6*12	2	
	95801	95801-08040-08	BOLT FLANGE 8*40	BOLT FLANGE 8*40	4	

F07

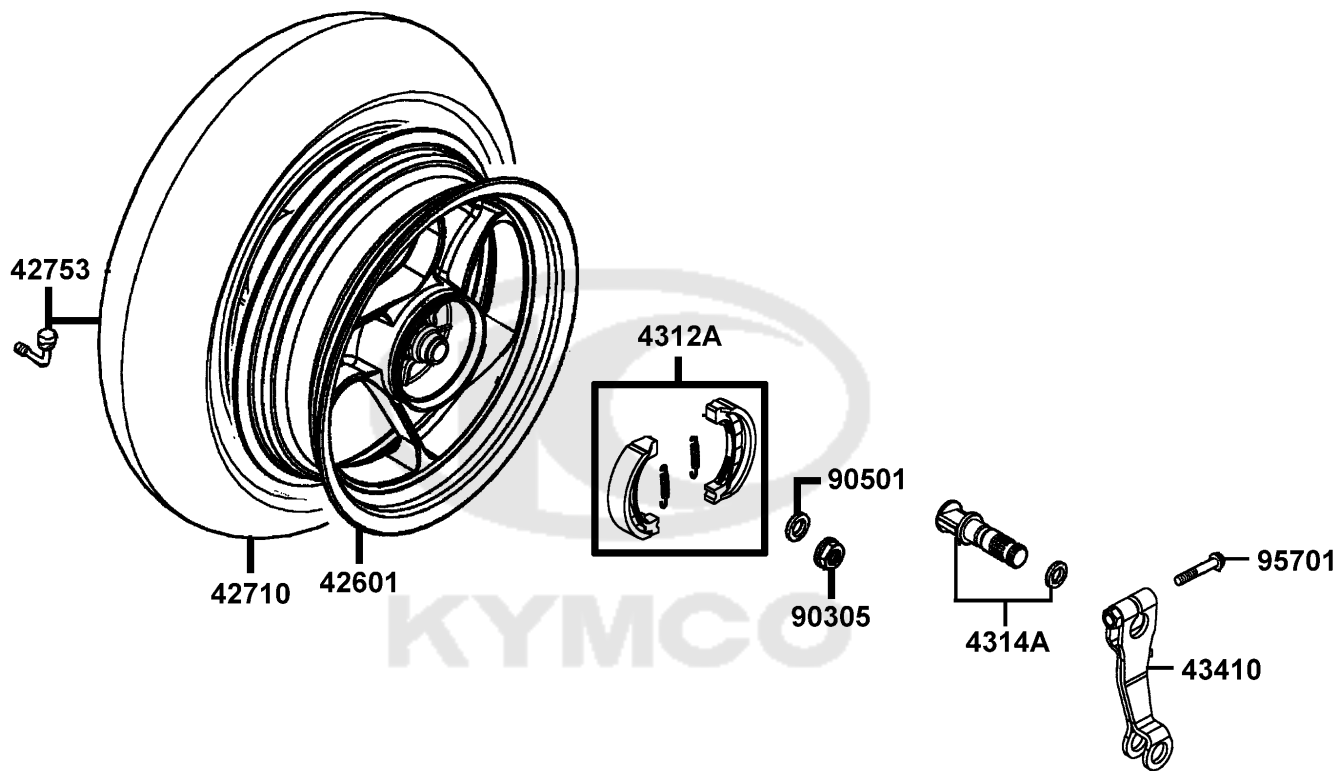
Front Wheel



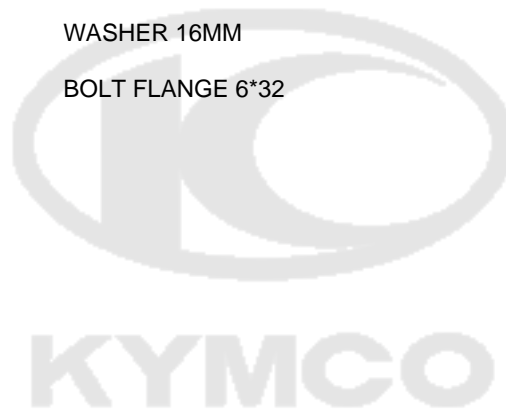
Sales mark	Ref no	Part no	Description	Reg description	Regd no	F07
	42753	42753-ALC8-E60	TIRE VALVE TR-412	TIRE VALVE TR-412	1	
	44305	44305-KGE2-E00	AXLE PROTECTOR L	AXLE PROTECTOR L	1	
	44306	44306-KGE2-E00	AXLE PROTECTOR R	AXLE PROTECTOR R	1	
	44311	44311-GLW0-W10	COLLAR FR WHEEL SIDE	COLLAR FR WHEEL SIDE	1	
**	44601	44601-KEB7-E0E	WHEEL FR CAST	WHEEL FR CAST	1	
	44620	44620-KEB7-E00	COLLAR FR DIST	COLLAR FR DIST	1	
	44710	44710-LDC8-E10	TIRE ASSY FR	TIRE ASSY FR	1	
	44800	44800-LDC8-E10	GEAR BOX ASSY SPDMT	GEAR BOX ASSY SPDMT	1	
	45121	45121-LGB5-E10	DISK FR BRK	DISK FR BRK	1	
	90105	90105-KCR3-001	BOLT FR DISK 8*24	BOLT FR DISK 8*24	3	
	90121	90121-KBE2-C00	BOLT RR FORK PIVOT	BOLT RR FORK PIVOT	1	
	90306	90306-KLF0-C00	NUT FLANGE 12MM	NUT FLANGE 12MM	1	
	90754	90754-GHC8-C00	DUST SEAL 20*32*5	DUST SEAL 20*32*5	1	
	90912	90912-GHC8-C00	BEARING 6201 (U) (NTN)	BEARING 6201 (U) (NTN)	2	
	91258	91258-KAM1-C00	SEAL SPDMT GEAR BOX	SEAL SPDMT GEAR BOX	1	

F08

Rear Wheel

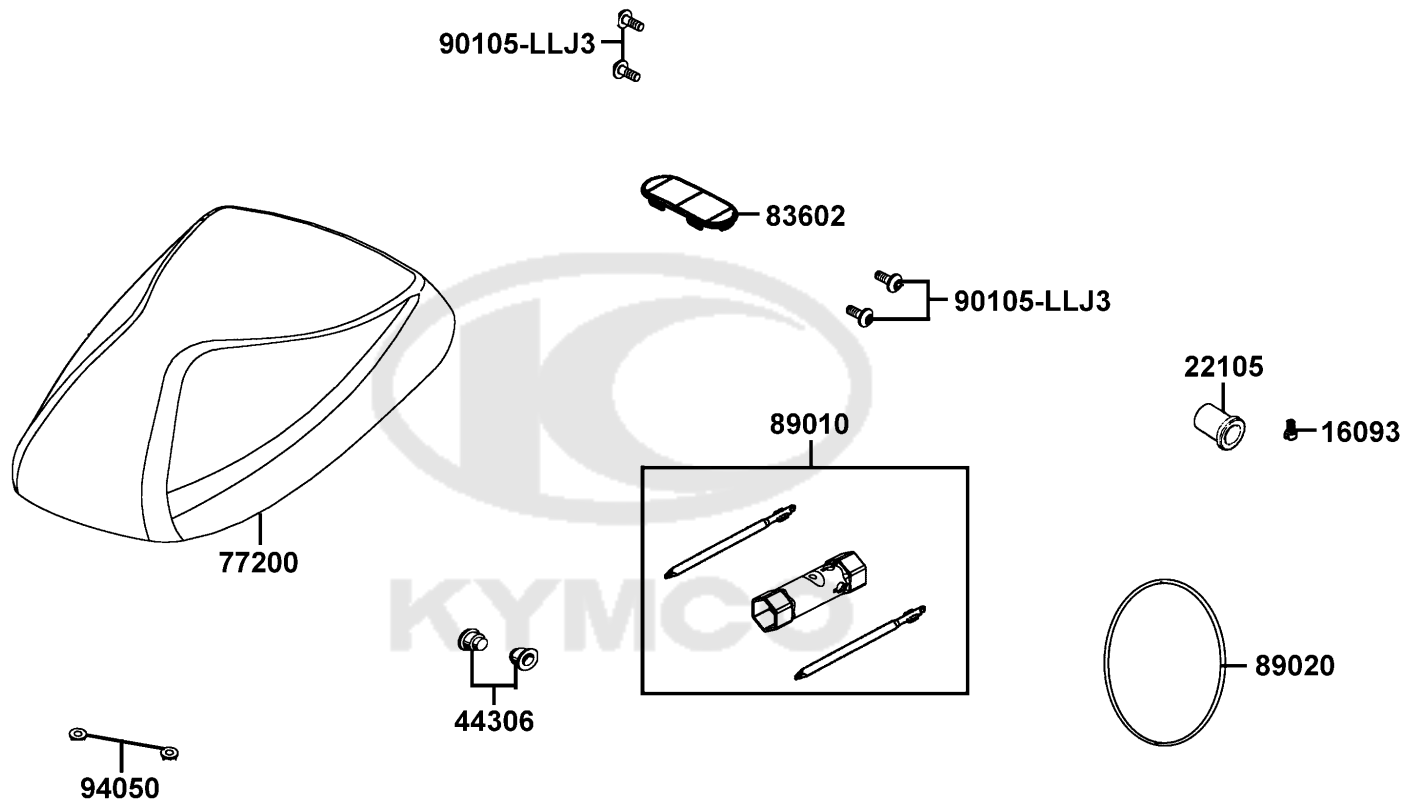


Sales mark	Ref no	Part no	Description	Reg description	Regd no	F08
**	42601	42601-KEB7-C00	WHEEL COMP RR CAST	WHEEL COMP RR CAST	1	
	42710	42710-LDC8-E10	TIRE ASSY RR	TIRE ASSY RR	1	
	42753	42753-ALC8-E60	TIRE VALVE TR-412	TIRE VALVE TR-412	1	
	4312A	4312A-KXCX-C00	SHOE ASSY RR BRAKE	SHOE ASSY RR BRAKE	1	
	4314A	4314A-KKD6-E00	CAM ASSY RR BRAKE	CAM ASSY RR BRAKE	1	
	43410	43410-KFA1-C00	ARM RR BRK	ARM RR BRK	1	
	90305	90305-KNBN-C00	NUT U 16MM(C)	NUT U 16MM(C)	1	
	90501	90501-KNBN-C00	WASHER 16MM	WASHER 16MM	1	
	95701	95701-06032-08	BOLT FLANGE 6*32	BOLT FLANGE 6*32 (C)	1	

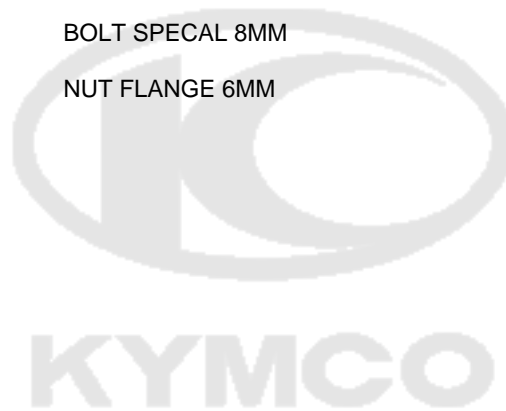


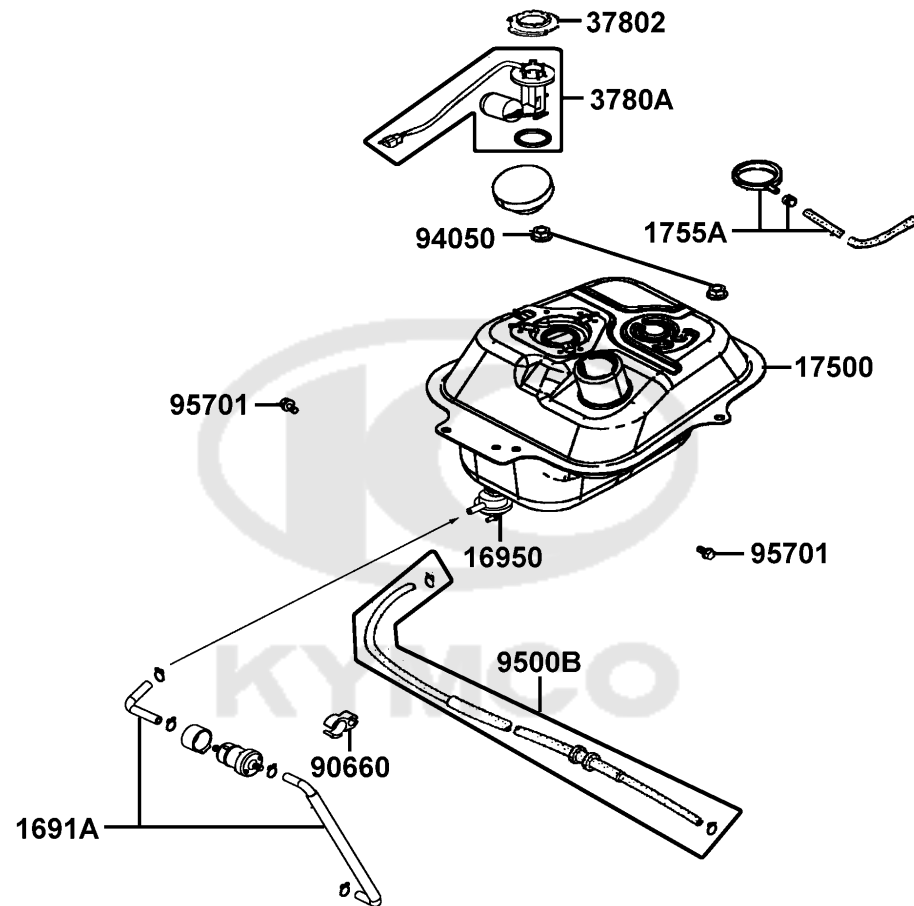
F09

Seat

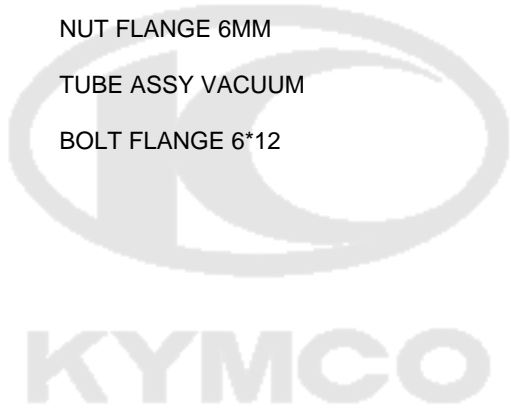


Sales mark	Ref no	Part no	Description	Reg description	Regd no	F09
	16093	16093-5082-000	JET MAIN	JET MAIN	1	
	22105	22105-KGBG-C00	VBOSS DRIVE FACE	BOSS DRIVE FACE	1	
	44306	44306-KGE2-E00	AXLE PROTECTOR R	AXLE PROTECTOR R	2	
**	77200	77200-LCB9-C10	SEAT ASSY	SEAT ASSY	1	
**	83602	83602-ALC8-E60	CAP BODY COVER	CAP BODY COVER	1	
	89010	89010-KGBG-C00	TOOL SET	TOOL SET	1	
	89020	89020-KKC4-900	BAND TOOL SET	BAND TOOL SET	1	
	90105-LLJ3	90105-LLJ3-E00	BOLT SPECIAL 8MM	BOLT SPECIAL 8MM	4	
	94050	94050-06080	NUT FLANGE 6MM	NUT FLANGE 6MM	2	



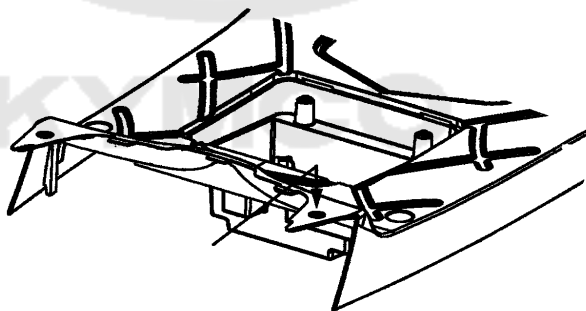
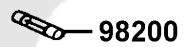
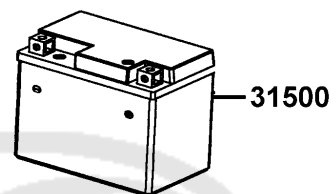
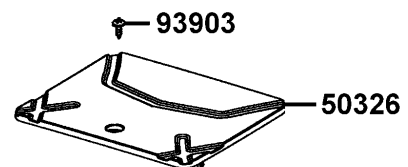


Sales mark	Ref no	Part no	Description	Reg description	Regd no	F10
	1691A	1691A-LDF7-E10	STRAINER ASSY FUEL	STRAINER ASSY FUEL	1	
	16950	16950-KKJ9-C00	AUTO COCK ASSY FUEL	AUTO COCK ASSY FUEL	1	
	17500	17500-ALC8-E60	TANK COMP FUEL	TANK COMP FUEL	1	
	1755A	1755A-KKD5-C10	TRAY ASSY FUEL CAP	TRAY ASSY FUEL CAP	1	
	37802	37802-GGA7-C00	RET FUEL UNIT	RET FUEL UNIT	1	
	3780A	3780A-LDC8-E10	FUEL UNIT ASSY	FUEL UNIT ASSY	1	
	90660	90660-KGBG-C00	CLAMPER TUBE	CLAMPER TUBE	1	
	94050	94050-06080	NUT FLANGE 6MM	NUT FLANGE 6MM	2	
	9500B	9500B-LDC8-E10	TUBE ASSY VACUUM	TUBE ASSY VACUUM	1	
	95701	95701-06012-08	BOLT FLANGE 6*12	BOLT FLANGE 6*12	2	



F11

Battery

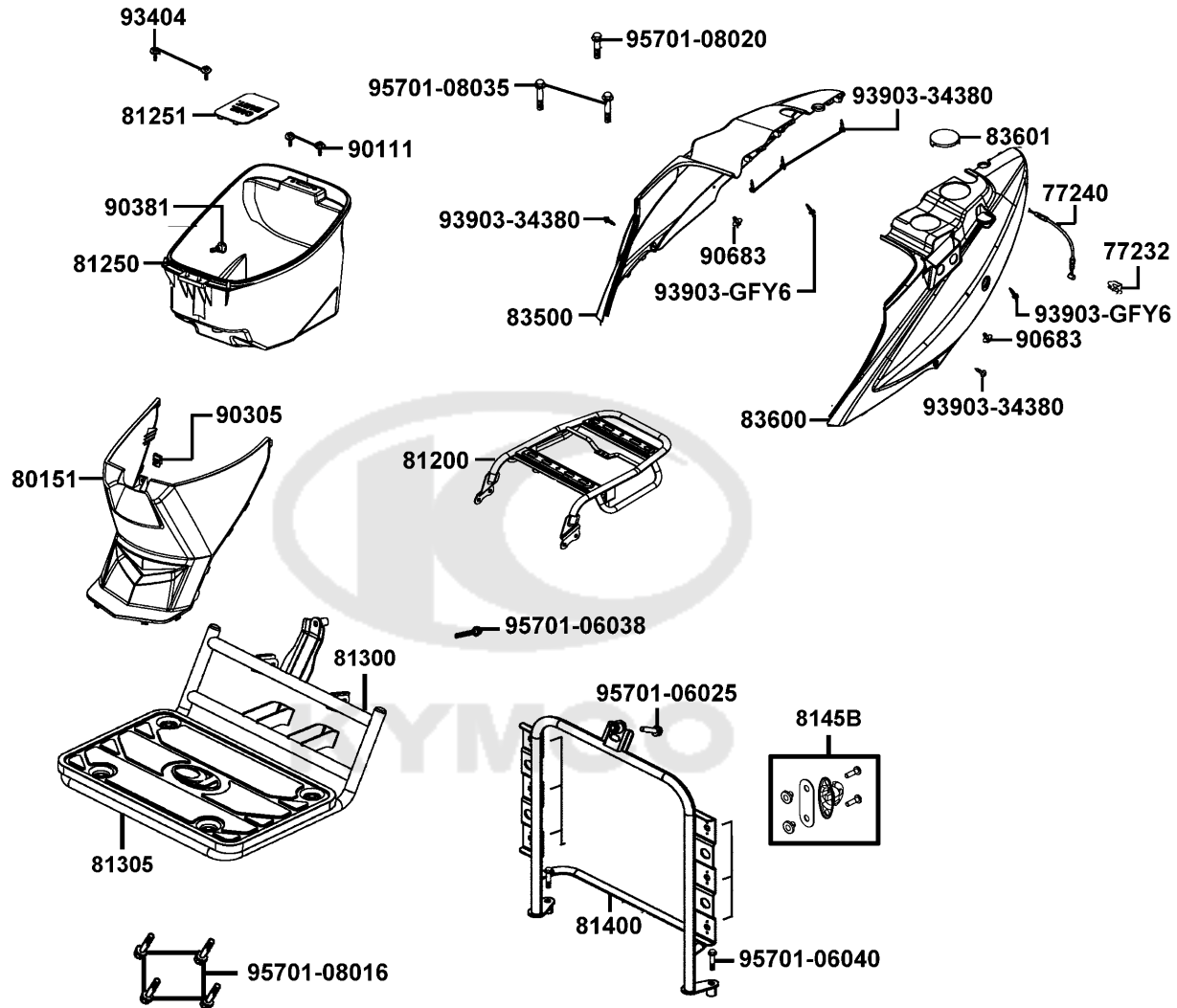


Sales mark	Ref no	Part no	Description	Reg description	Regd no	F11
------------	--------	---------	-------------	-----------------	---------	------------

	31500	31500-ALC8-E60	BATTERY	BATTERY YTX5L-BS	1	
**	50326	50326-LCB9-C10	COVER BATTERY	COVER BATTERY	1	
	93903	93903-35380	SCREW TAPPING 5*16 (K)	SCREW TAPPING 5*16 (K)	1	
	98200	98200-10700	FUSE A7	FUSE A7	1	

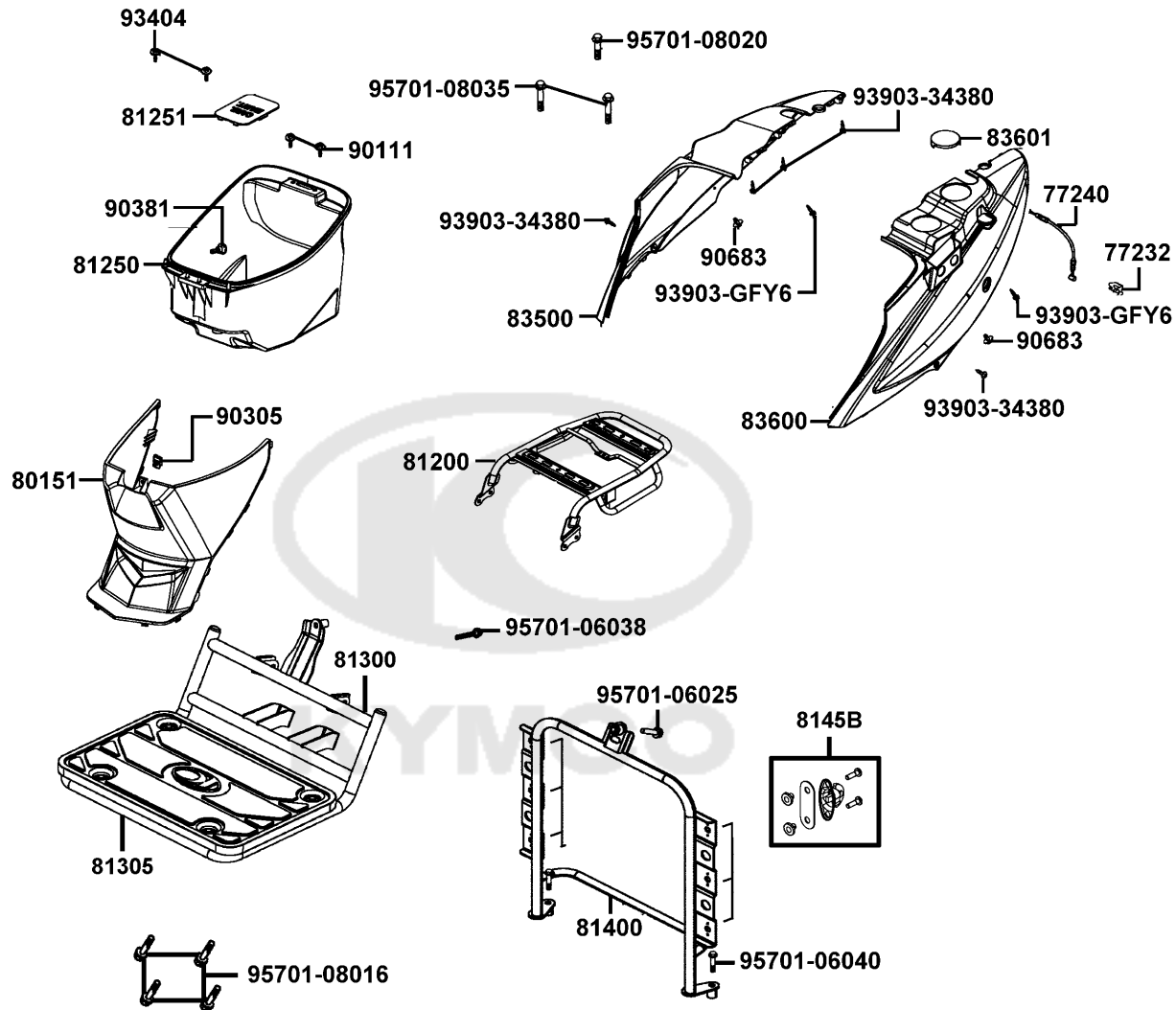


Body Cover Luggage Box



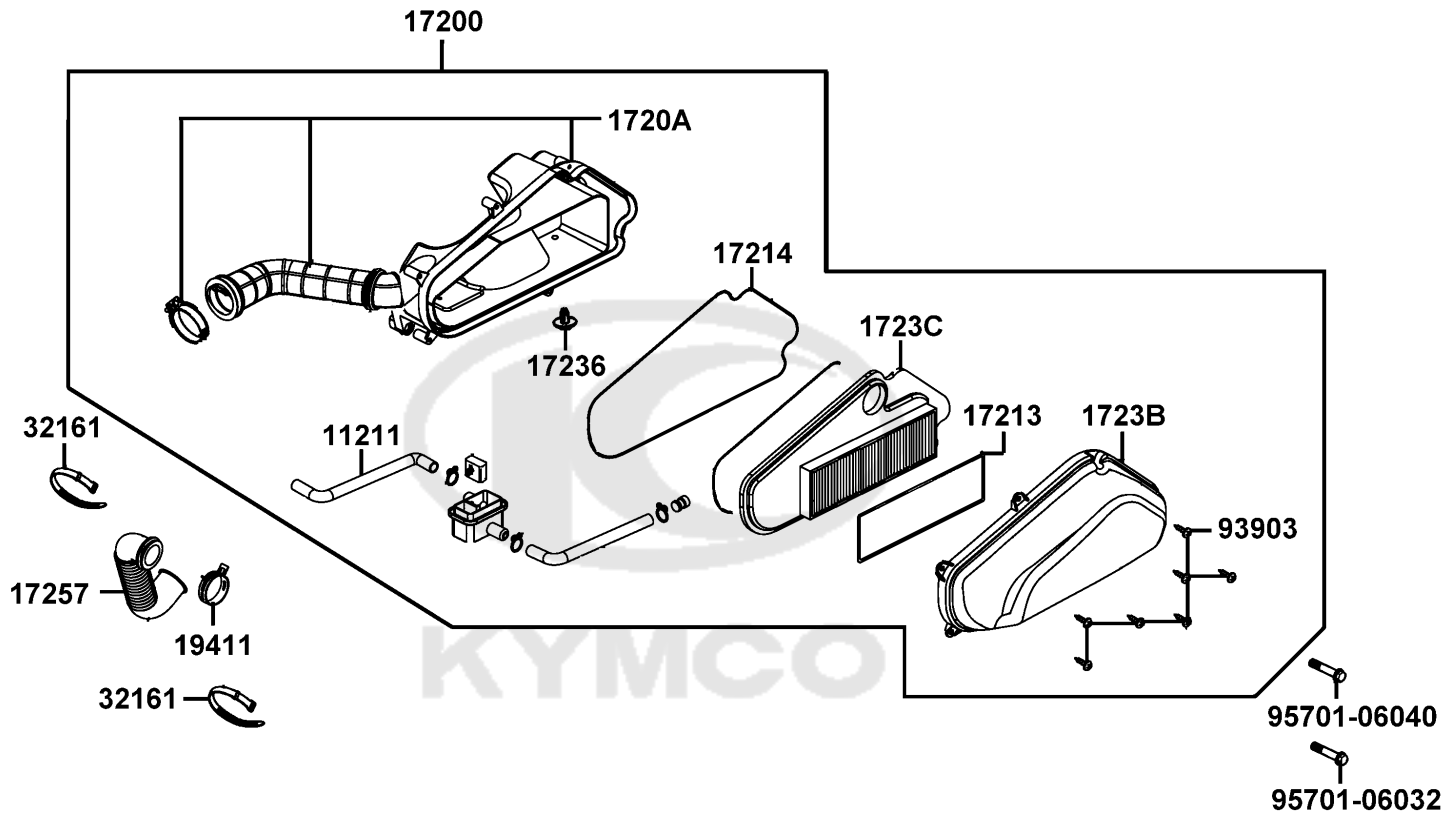
Sales mark	Ref no	Part no	Description	Reg description	Regd no	F12
	77232	77232-KCAC-C00	SET SPG SEAT LOCK	SET SPG SEAT LOCK	1	
	77240	77240-LDC8-E10	CABLE COMP SEAT LOCK	CABLE COMP SEAT LOCK	1	
**	80151	80151-LCB9-C10	COVER CENTER	COVER CENTER	1	
	81200	81200-ALC8-E60	CARRIER COMP REAR	CARRIER COMP REAR	1	
**	81250	81250-LCB9-C10	BOX LUGGAGE	BOX LUGGAGE	1	
**	81251	81251-LCB9-C10	LID CARB MAINT	LID CARB MAINT	1	
	81300	81300-ALC9-E10	CARRIER COMP FRONT	CARRIER COMP FRONT	1	
**	81305	81305-ALC9-E10	CARRIER FR BOTTOM PLANK	CARRIER FR BOTTOM PLANK	1	
	81400	81400-ALC8-E60	CARRIER FLOOR	CARRIER FLOOR	1	
	8145B	8145B-ALC8-E60	TURNING LOCK ASSY	TURNING LOCK ASSY	6	
**	83500	83500-LCB9-C10	COVER R BODY	COVER R BODY	1	
**	83600	83600-ALC8-E60	COVER L BODY	COVER L BODY	1	
**	83601	83601-ALC8-E60	LID BODY COVER	LID BODY COVER	1	
	90111	90111-1G87-C00	BOLT FLANGE 6MM	BOLT FLANGE 6MM	2	
	90305	90305-GHK8-C00	NUT CLIP 6MM	NUT CLIP 6MM	1	
	90381	90381-GEZ5-C00	SCREW SPECIAL 6*17	SCREW SPECIAL 6*17	1	
	90683	90683-GAR1-C00	CLIP BODY COVER	CLIP BODY COVER	2	
	93404	93404-06016-07	BOLT WASHER 6*16 (K)	BOLT WASHER 6*16 (K)	2	
	93903-34380	93903-34380	SCREW TAPPING 4*12	SCREW TAPPING 4*12	5	
	93903-GFY6	93903-GFY6-C00	SCREW TAPPING 4*14	SCREW TAPPING 4*14	2	

Body Cover Luggage Box

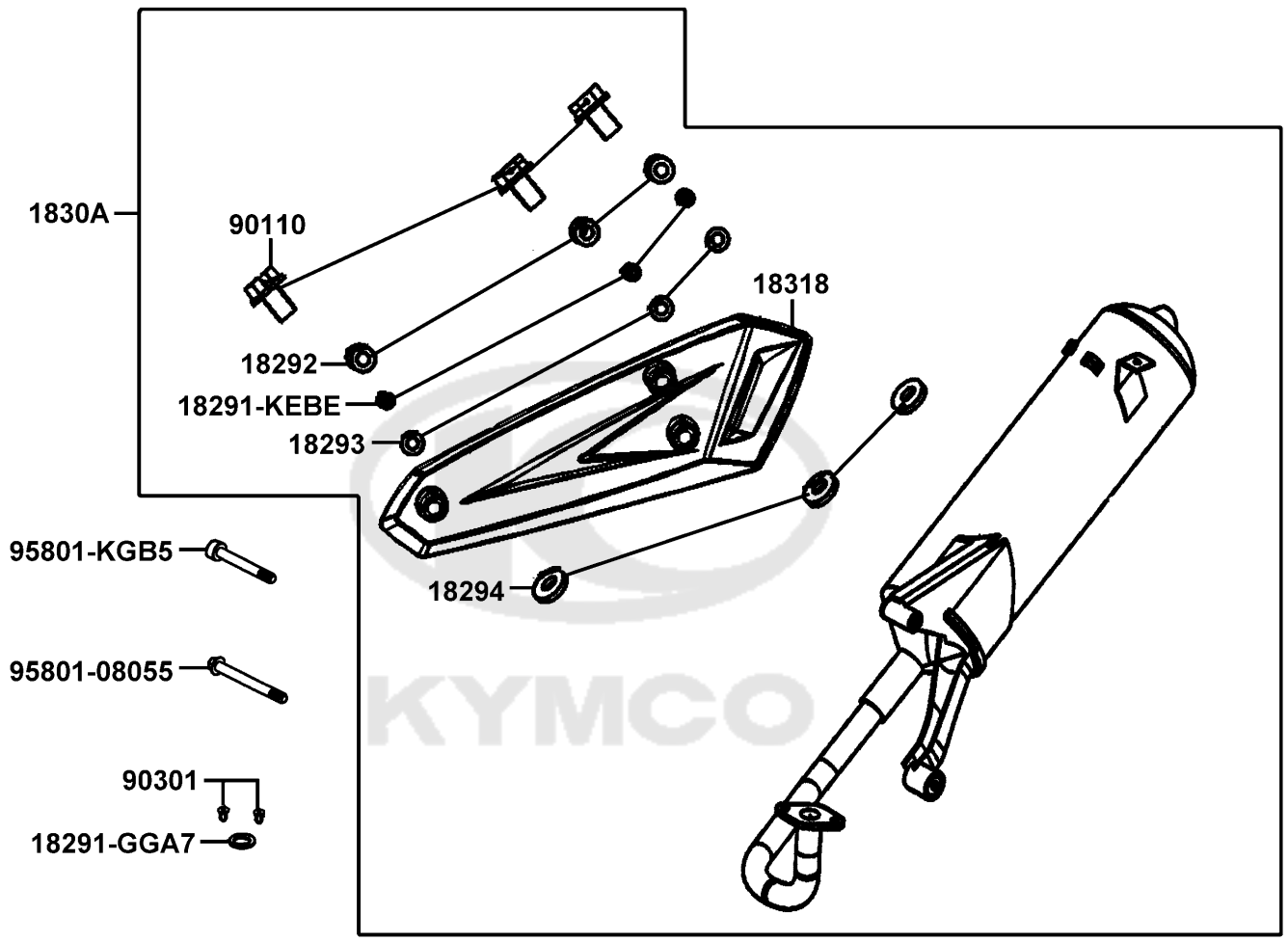


Sales mark	Ref no	Part no	Description	Reg description	Regd no	F12
	95701-06025	95701-06025-07	BOLT FLANGE 6*25 (K)	BOLT FLANGE SH 6*8 (K)	1	
	95701-06038	95701-06038-07	BOLT FLANGE 6MM(K)	BOLT FLANGE 6MM(K)	1	
	95701-06040	95701-06040-07	BOLT FLANGE 6MM(K)	BOLT FLANGE 6MM(K)	2	
	95701-08016	95701-08016-07	BOLT FLANGE 8*16K	BOLT FLANGE 8*16K	8	
	95701-08020	95701-08020-07	BOLT FLANGE 8*20 (K)	BOLT FLANGE 8*20 (K)	1	
	95701-08035	95701-08035-07	BOLT FLANGE 8*35	BOLT FLANGE 8*35	2	





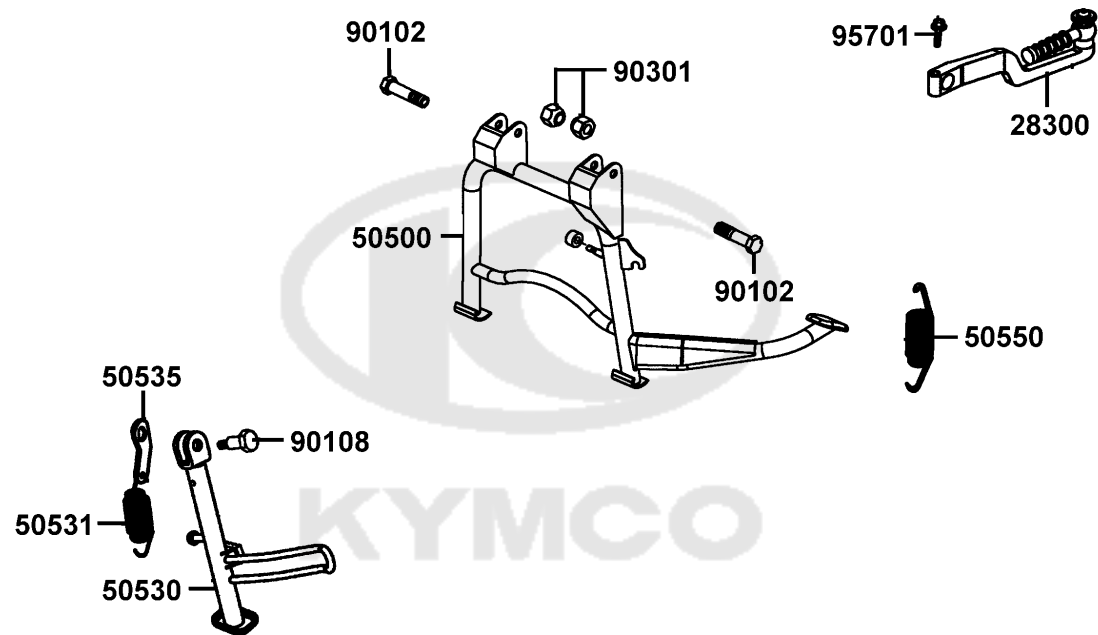
Sales mark	Ref no	Part no	Description	Reg description	Regd no	F13
	11211	11211-LBD6-E00	TUBE BREATHER	TUBE BREATHER	1	
	17200	17200-LDC8-E11	AIR/C ASSY.	AIR/C ASSY	1	
	1720A	1720A-LDC8-E11	CASE ASSY AIR/C	CASE ASSY AIR/C	1	
	17213	17213-LBD6-E00	SEAL AIR/C CASE	SEAL AIR/C CASE	1	
	17214	17214-LBA6-E00	SEAL AIR/C CASE	SEAL AIR/C CASE	1	
	17236	17236-KFBF-C00	PLATE	PLATE	1	
	1723B	1723B-LBD6-E00	COVER ASSY AIR/C	COVER COMP AIRIC	1	
	1723C	1723C-LBD6-E00	ELEMENT ASSY AIR/C	ELEMENT ASSY AIR/C	1	
	17257	17257-LDC8-E00	DUCT AIR/C COVER	DUCT AIR/C COVER	1	
	19411	19411-KNBN-C10	CLIP HOSE	CLIP HOSE	1	
	32161	32161-4D04-001	BAND BI WIRE	BAND BI WIRE	2	
	93903	93903-25480	SCREW TAPPING 5*20	SCREW TAPPING 5*20	7	
	95701-06032	95701-06032-08	BOLT FLANGE 6*32	BOLT FLANGE 6*32 (C)	1	
	95701-06040	95701-06040-08	BOLT FLANGE 6*40	BOLT FLANGE 6*40	1	



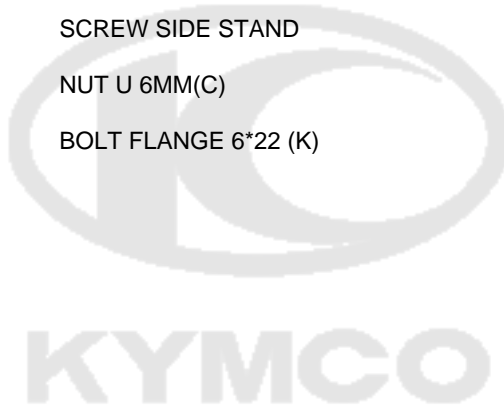
Sales mark	Ref no	Part no	Description	Reg description	Regd no	F14
	18291-GGA7	18291-GGA7-C00	GASKET EXH PIPE	GASKET EXH PIPE	1	
	18291-KEBE	18291-KEBE-C00	COLLAR	COLLAR	3	
	18292	18292-KEBE-C00	PACKING PROTECTOR	PACKING PROTECTOR	3	
	18293	18293-KEBE-C00	RUBBER PKG PROTR	RUBBER PKG PROTR	3	
	18294	18294-KEBE-C00	PACKING PROTECTOR	PACKING PROTECTOR	3	
	1830A	1830A-LGB5-E10	MUFFLER ASSY	MUFFLER ASSY	1	
	18318	18318-LDA6-B80	PROTECTOR MUFFLER	PROTECTOR MUFFLER	1	
	90110	90110-LDC8-E10	SCREW SPECIAL 6X20	SCREW SPECIAL 6X20	3	
	90301	90301-KGBG-C00	NUT CAP 6MM	NUT CAP 6MM	2	
	95801-08055	95801-08055-07	BOLT FLANGE 8*55 (K)	BOLT FLANGE 8*55 (K)	1	
	95801-KGB5	95801-KGB5-C00	BOLT TORX M8x60	BOLT TORX M8x60	1	

F15

Stand Kick Starter Arm



Sales mark	Ref no	Part no	Description	Reg description	Regd no	F15
	28300	28300-KNBN-C00	ARM ASSY KICK STARTER	ARM ASSY KICK STARTER	1	
	50500	50500-ALC9-E10	STAND COMP MAIN	STAND COMP MAIN	1	
	50530	50530-ALC9-E10	SIDE STAND COMP	SIDE STAND COMP	1	
	50531	50531-KEB7-E00	PLATE SPRING STOPPER	PLATE SPRING STOPPER	1	
	50535	50535-KEB7-W10	SPRING COMP SIDE STAND	SPRING COMP SIDE STAND	1	
	50550	50550-KFA6-C00	SPG ASSY MAIN STAND	SPG ASSY MAIN STAND	1	
	90102	90102-GLE0-001	BOLT HINGE PIVOT	BOLT HINGE PIVOT	2	
	90108	90108-KFA6-E00	SCREW SIDE STAND	SCREW SIDE STAND	1	
	90301	90301-4C73-C00	NUT U 6MM(C)	NUT U 6MM(C)	2	
	95701	95701-06022-07	BOLT FLANGE 6*22 (K)	BOLT FLANGE 6*22 (K)	1	



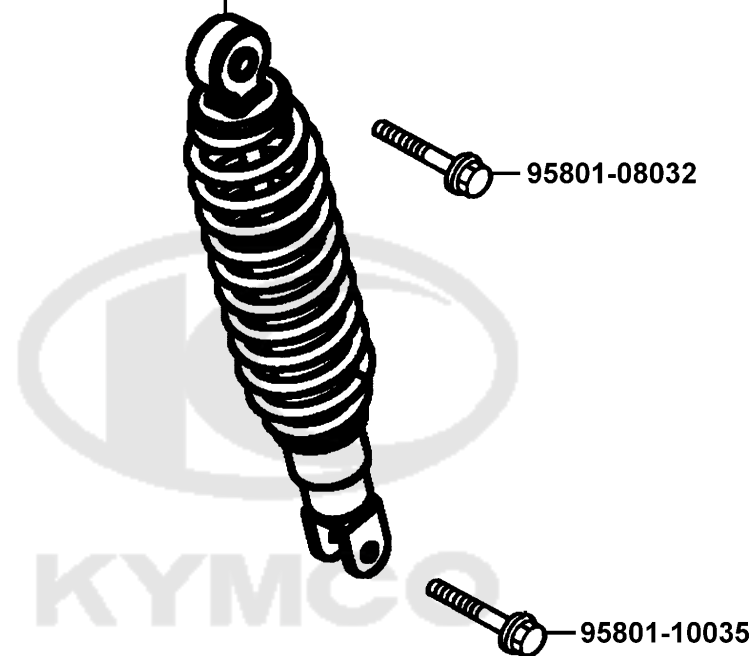
F16

Rear Cushion

52400

95801-08032

95801-10035



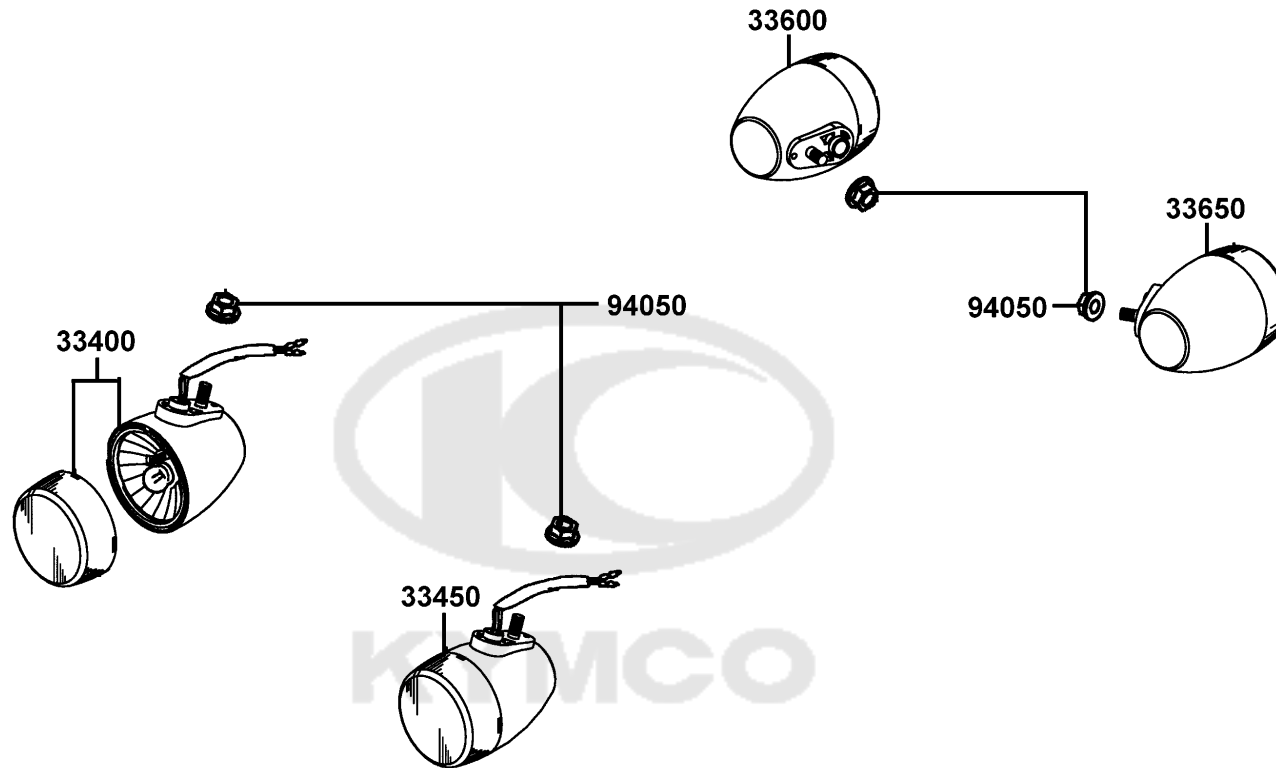
Sales mark	Ref no	Part no	Description	Reg description	Regd no	F16
------------	--------	---------	-------------	-----------------	---------	------------

**	52400	52400-LDC8-E10	CUSHION ASSY RR	CUSHION ASSY RR	1	
	95801-08032	95801-08032-08	BOLT FLANGE 8*32(C)	BOLT FLANGE 8*32(C)	1	
	95801-10035	95801-10035-08	BOLT FLANGE 10*35	BOLT FLANGE 10*35	1	



F17

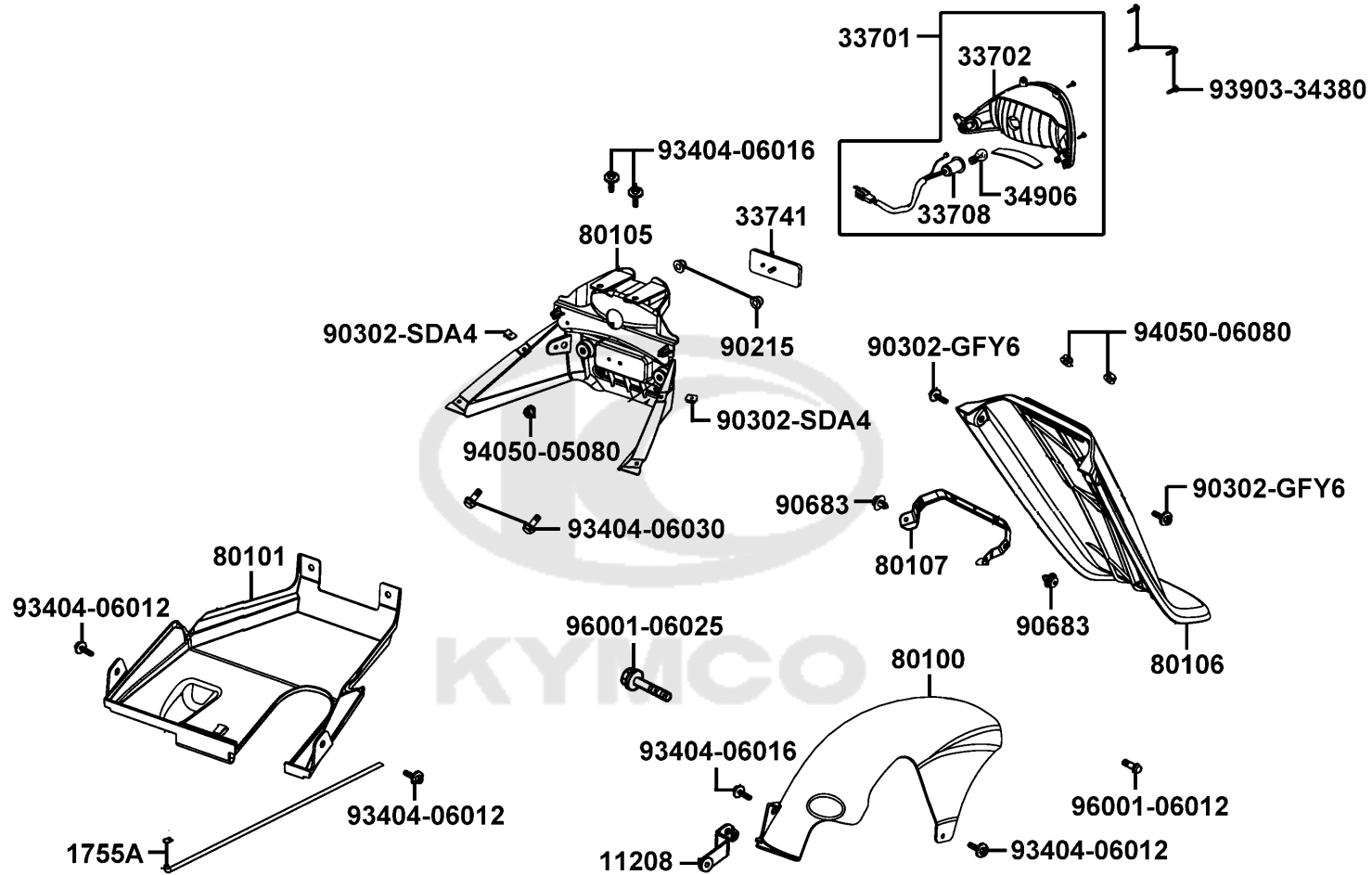
Front Winker



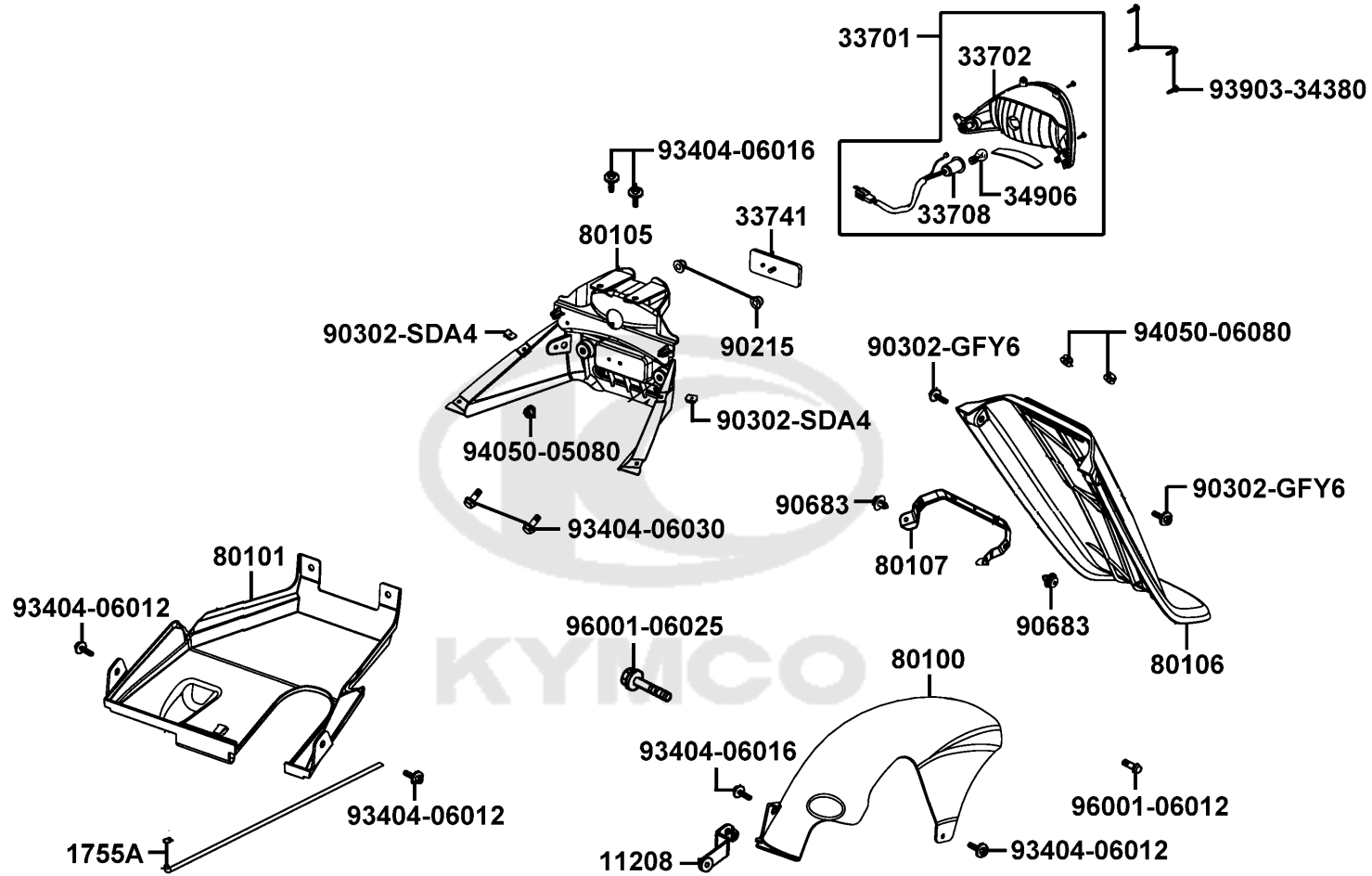
Sales mark	Ref no	Part no	Description	Reg description	Regd no	F17
------------	--------	---------	-------------	-----------------	---------	------------

33400		33400-ALC8-E60	WINKER ASSY FR R	WINKER ASSY R FR	1	
33450		33450-ALC8-E60	WINKER ASSY FR L	WINKER ASSY L FR	1	
33600		33600-ALC8-E60	WINKER ASSY R RR	WINKER ASSY RH RR	1	
33650		33650-ALC8-E60	WINKER ASSY L RR	WINKER ASSY LH RR	1	
94050		94050-05080	NUT FLANGE 5MM	NUT FLANGE 5MM	4	





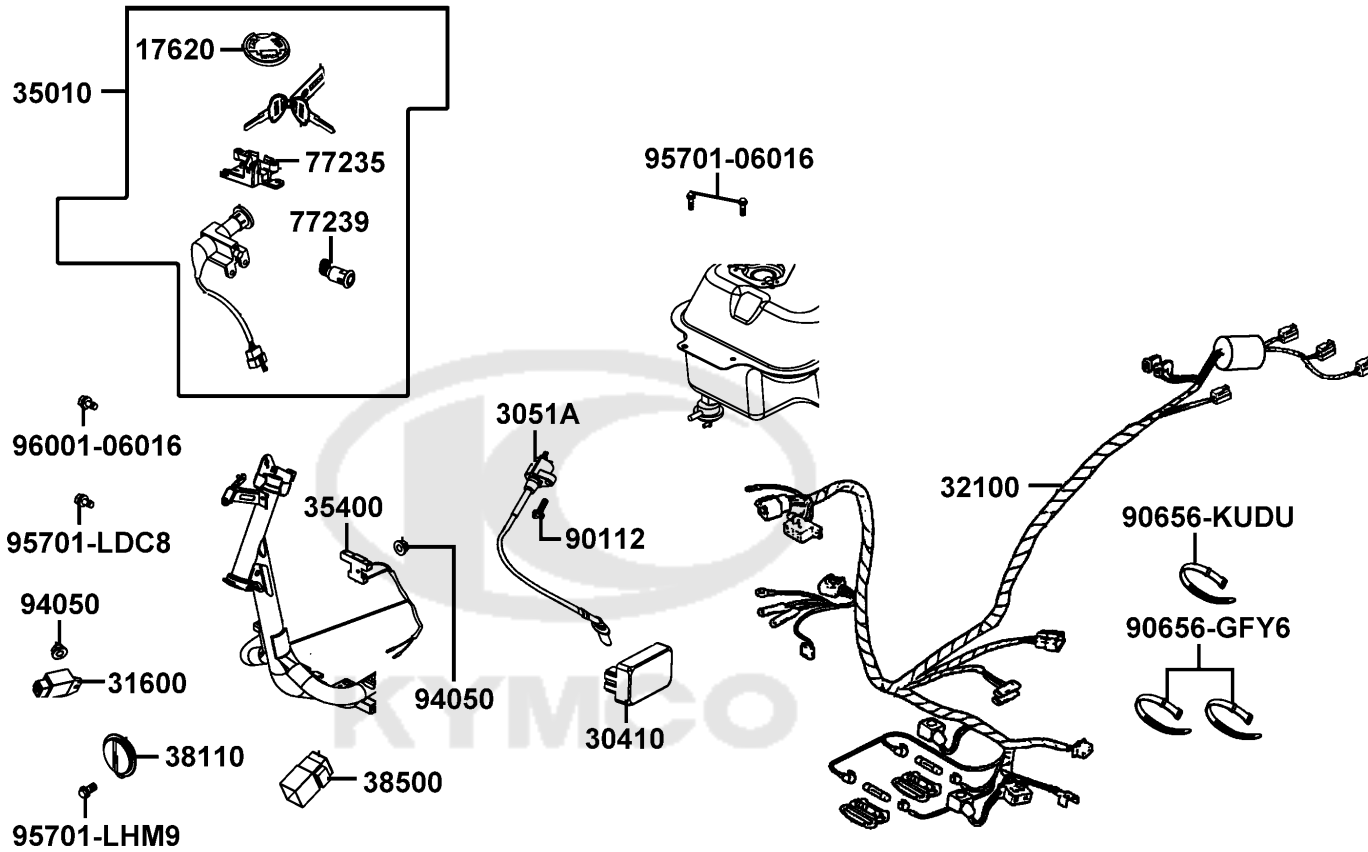
Sales mark	Ref no	Part no	Description	Reg description	Regd no	F18
	11208	11208-LBD6-C00	STAY RR TIRE FENDER	STAY RR TIRE FENDER	1	
	1755A	1755A-LDC8-E10	TUBE ASSY FUEL DRAIN	TUBE ASSY FUEL DRAIN	1	
	33701	33701-LDC8-E10	UNIT TAIL LIGHT	UNIT TAIL LIGHT	1	
	33702	33702-LDC8-E10	LENS TAIL HIGHT	LENS TAIL HIGHT	1	
	33708	33708-LDC8-E10	SOCKET COMP TAIL LIGHT	SOCKET COMP TAIL LIGHT	1	
	33741	33741-KEBE-C00	REFLEX REFLECTOR	REFLEX REFLECTOR	1	
	34906	34906-LBA8-E80	BULB TAIL & STOP	BULB TAIL & STOP	1	
**	80100	80100-LDC8-E10	FENDER RR TIRE	FENDER RR TIRE	1	
**	80101	80101-LCB9-C10	FENDER RR INNER	FENDER RR INNER	1	
**	80105	80105-LDC8-E10	FENDER RR	FENDER RR	1	
**	80106	80106-LDC8-E10	FENDER RR LOW	FENDER RR LOW	1	
	80107	80107-LDC8-E10	STAY RR FENDER	STAY RR FENDER	1	
	90215	90215-KKC4-C00	NUT CAP 6MM	NUT CAP 6MM	2	
	90302-GFY6	90302-GFY6-C00	BOLT-WASH 5*12	BOLT-WASH 5*12	2	
	90302-SDA4	90302-SDA4-C00	NUT SPRING 4MM	NUT SPRING 4MM	2	
	90683	90683-GAR1-C00	CLIP BODY COVER	CLIP BODY COVER	2	
	93404-06012	93404-06012-07	BOLT WASH 6*12	BOLT WASHER 6*12 (K)	3	
	93404-06016	93404-06016-07	BOLT WASHER 6*16 (K)	BOLT WASHER 6*16 (K)	3	
	93404-06030	93404-06030-07	BOLT WASHER 6*30K	BOLT WASHER 6*30K	2	
	93903	93903-34380	SCREW TAPPING 4*12	SCREW TAPPING 4*12	4	



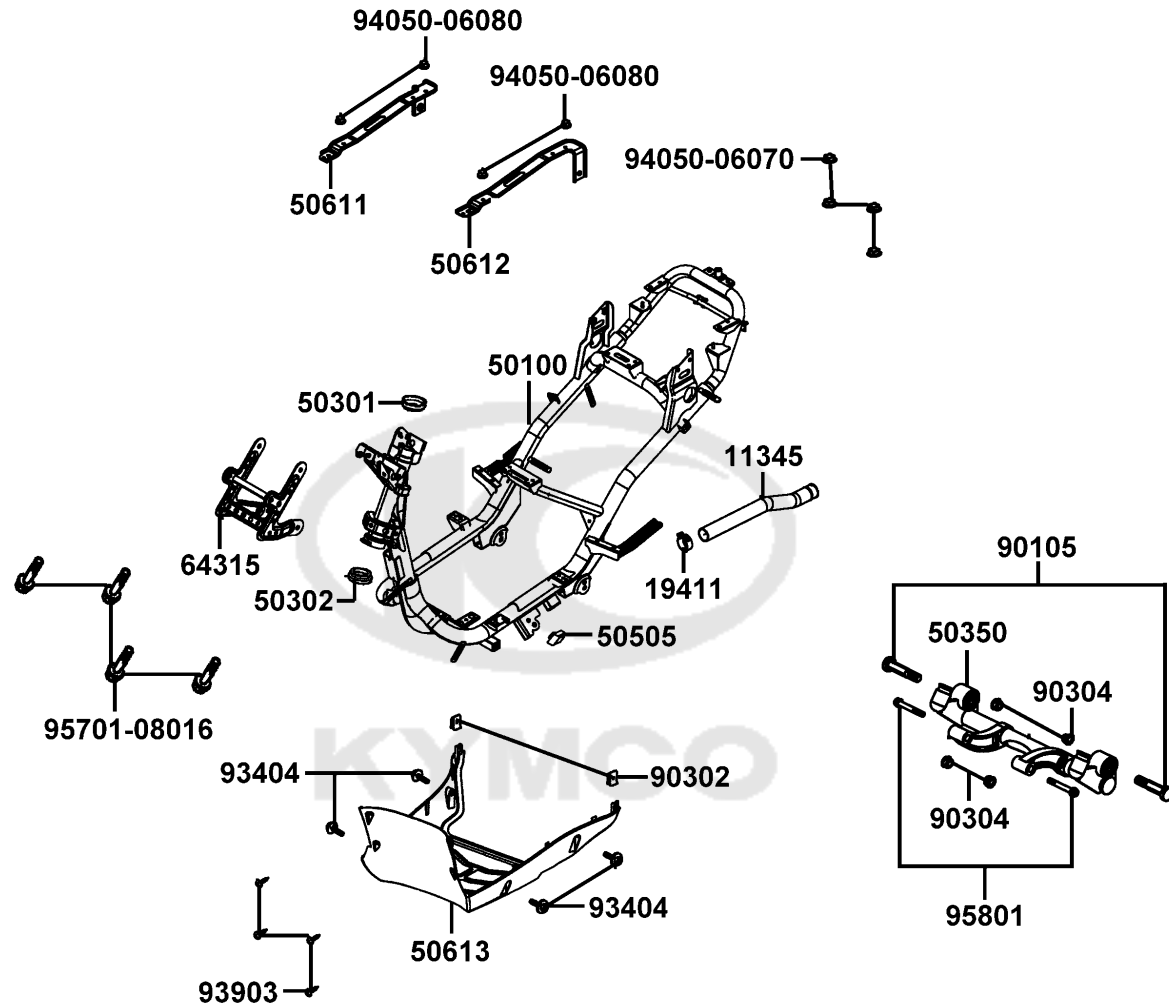
Sales mark	Ref no	Part no	Description	Reg description	Regd no	F18
------------	--------	---------	-------------	-----------------	---------	------------

	94050-05080	94050-05080	NUT FLANGE 5MM	NUT FLANGE 5MM	1	
	94050-06080	94050-06080	NUT FLANGE 6MM	NUT FLANGE 6MM	2	
	96001-06012	96001-06012-08	BOLT FLANGE 6*12	BOLT FLANGE SH 6*12	1	
	96001-06025	96001-06025-08	BOLT FLANGE SH 6*25	BOLT FLANGE SH 6*25	1	

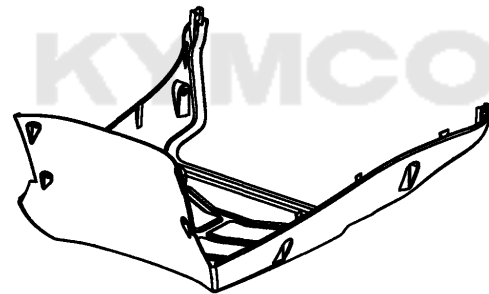
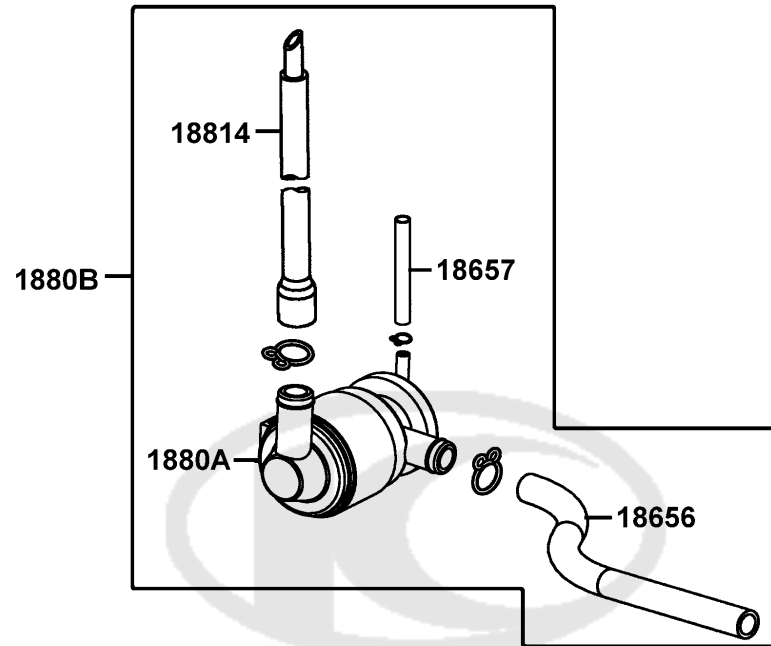




Sales mark	Ref no	Part no	Description	Reg description	Regd no	F19
17620		17620-LDC8-E10	CAP COMP FUEL FILLER	CAP COMP FUEL FILLER	1	
30410		30410-LBD6-C00	UNIT COMP CDI	UNIT COMP CDI	1	
3051A		3051A-KHC4-C00	COIL ASSY IGN	COIL ASSY IGN	1	
31600		31600-KUDU-C00	REG REC COMPDC	REG REC COMPDC	1	
32100		32100-ALC9-E10	HARNESS WIRE	HARNESS WIRE	1	
35010		35010-ALC8-E60	KEY SET	KEY SET	1	
35400		35400-LDC8-E10	RESISTOR COMP	RESISTER COMP	1	
38110		38110-KGC4-B50	HORN COMP	HORN COMP	1	
38500		38500-KKDK-C00	SET START MAG	SET START MAG	1	
77235		77235-KGC4-C00	SEAT CATCH	SEAT CATCH	1	
77239		77239-GFY6-C00	KEY SEAT LOCK	KEY SEAT LOCK	1	
90112		90112-KRDR-C00	BOLT FLANGE 5*22	BOLT FLANGE 5*22	1	
90656-GFY6		90656-GFY6-911	BAND OIL HOSE	BAND OIL HOSE	2	
90656-KUDU		90656-KUDU-900	BAND HARNESS WIRE	BAND HARNESS WIRE	1	
94050		94050-06080	NUT FLANGE 6MM	NUT FLANGE 6MM	2	
95701-06016		95701-06016-08	BOLT FLANGE 6*16	BOLT FLANGE 6*16	1	
95701-LDC8		95701-LDC8-E10	BOLT TORQUE 6x16	BOLT TORQUE 6x16	1	
95701-LHM9		95701-LHM9-E60	BOLT FLANGE 8*12 (C)	BOLT FLANGE 8*12 (C)	1	
96001		96001-06016-08	BOLT FLANGE SH 6*16	BOLT FLANGE SH 6*16	1	

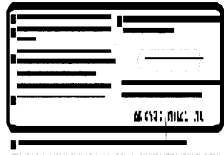


Sales mark	Ref no	Part no	Description	Reg description	Regd no	F20
	11345	11345-LDC8-E10	DUCT L COVER	DUCT L COVER	1	
	19411	19411-KNBN-C10	CLIP HOSE	CLIP HOSE	1	
	50100	50100-ALC9-E10	BODY COMP FRAME	BODY COMP FRAME	1	
	50301	50301-GLM0-C00	RACE UPPER STRG BALL	RACE UPPER STRG BALL	1	
	50302	50302-2H68-C00	RACE (STRG BOT) BALL	RACE (STRG BOT) BALL	1	
	50350	50350-LDC8-E10	HANGER ASSY ENG	HANGER ASSY ENG	1	
	50505	50505-KEBE-C00	STOPPER RUBBER	STOPPER RUBBER	1	
	50611	50611-LCB9-C10	RNFCT R FLOOR	RNFCT R FLOOR	1	
	50612	50612-LCB9-C10	RNFCT L FLOOR	RNFCT L FLOOR	1	
**	50613	50613-LCB9-C11	COVER UNDER	COVER UNDER	1	
	64315	64315-ALC9-E10	STAY FR COVER	STAY FR COVER	1	
	90105	90105-LDC8-E10	SQUARE BOLT M10*50	SQUARE BOLT M10*50	2	
	90302	90302-SDA4-C00	NUT SPRING 4MM	NUT SPRING 4MM	2	
	90304	90304-GHE8-C00	NUT U 10MM(C)	NUT U 10MM(C)	4	
	93404	93404-06016-07	BOLT WASHER 6*16 (K)	BOLT WASHER 6*16 (K)	4	
	93903	93903-34380	SCREW TAPPING 4*12	SCREW TAPPING 4*12	4	
	94050-06070	94050-06070	NUT FLANGE 6MM (K)	NUT FLANGE 6MM (K)	4	
	94050-06080	94050-06080	NUT FLANGE 6MM	NUT FLANGE 6MM	4	
	95701-08016	95701-08016-07	BOLT FLANGE 8*16K	BOLT FLANGE 8*16K	1	
	95801	95801-10070-08	BOLT FLANGE 10*70	BOLT FLANGE 10*70 (C)	2	

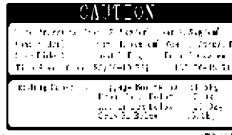


Sales mark	Ref no	Part no	Description	Reg description	Regd no	F21
	18656	18656-LDC8-E10	DUCT ASSY AICV-REED VALVE	DUCT ASSY AICV-REED VALVE	1	
	18657	18657-LDC8-E10	TUBE ASSY AICV-INNET PIPE	TUBE ASSY AICV-INNET PIPE	1	
	1880A	1880A-LDC8-E10	AI/C-AICV ASSY	AI/C-AICV ASSY	1	
	1880B	1880B-LDC8-E10	AI/C-AICV SET	AI/C-AICV SET	1	
	18814	18814-LDC8-E10	DUCT ASSY AIR-AICV	DUCT ASSY AIR-AICV	1	
	95002	95002-KKD6-C00	CLAMP D18 TUBE	CLAMP D18 TUBE	1	

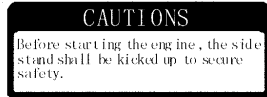




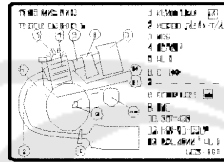
87560



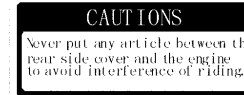
87505



87541



87224



87542



86201



86102

Sales mark	Ref no	Part no	Description	Reg description	Regd no	F22
**	86102	86102-KFA6-C10	EMB K-LOGO 30MM	EMB K-LOGO 30MM	1	
**	86201	86201-ALC9-E10	STRIPE BODY COVER	STRIPE BODY COVER	2	
**	87224	87224-LDC8-E10	CAUTION ANTI TAMPERING	CAUTION ANTI TAMPERING	1	
**	87505	87505-LDC8-E10	LABEL TIRE	LABEL TIRE	1	
**	87541	87541-GAR1-C01	MARK MAINT CAUTION L	MARK MAINT CAUTION L	1	
**	87542	87542-GAR1-C01	MARK MAINT CAUTION	MARK MAINT CAUTION	1	
**	87560	87560-GFY6-C01	MARK DRIVE CAUTION	MARK DRIVE CAUTION	1	



PART NO. INDEX

PART NO.	VERSION	PAGE	PART NO.	VERSION	PAGE	PART NO.	VERSION	PAGE
11000			12211-KGBG-C00	0	E02	14721-KGBG-C00	0	E02
11100-KGBG-C00	8	E01	12251-KGBG-C00	0	E02	14751-GEN5-C00	0	E02
11102-1G87-C00	1	E01	1231A-KHC5-C10	0	E02	14761-KGBG-C00	1	E02
11192-KGBG-C10	0	E01	12361-GFY6-C00	1	E04	14771-GDB4-C00	2	E02
11200-LBD6-C00	0	E01	13000			14775-MFA6-C00	2	E02
11203-GGC7-W10	2	E01	13000-LDC5-C00	6	E03	14781-MFA6-C00	4	E02
11208-LBD6-C00	0	F18	13011-KGBG-C00	0	E03	15000		
1120B-KGN7-C00	0	E09	13101-LCB9-B20	2	E03	15100-LDC5-C00	3	E07
11211-LBD6-E00	2	F13	13111-KGBG-C00	0	E03	15133-LDC5-C00	2	E07
11330-LBD6-C00	1	E04	13115-0A01-C00	2	E03	15421-1G07-W10	1	E04
11340-LBD6-C00	0	E01	14000			15426-GAE1-C00	1	E04
11345-LDC8-E10	1	F20	14100-KGBG-C00	4	E02	1565A-LDC8-C10	0	E04
11381-KHC4-C00	0	E01	14401-KGBG-900	0	E03	16000		
11382-LBD6-C00	0	E01	14431-KGBG-W10	0	E02	16012-LDC8-E10	3	E05
11387-KGBG-C00	0	E02	14450-KGBG-W10	0	E02	16016-KGC5-900	1	E05
11394-KGBG-C10	0	E04	14452-KGBG-W10	0	E02	16019-KGC5-900	0	E05
11395-LBD6-C00	0	E01	14510-KGBG-C00	0	E03	16023-KGC5-900	1	E05
12000			14531-GLR0-W10	1	E03	16035-LDC8-900	0	E05
12100-KGBG-A60	3	E03	14550-LDC8-C10	0	E03	16044-KEC3-900	1	E05
12191-KGBG-C10	0	E03	14555-KKJ9-C10	0	E03	16046-KEC3-900	0	E05
12200-KGBG-C10	0	E02	14610-KGBG-C00	0	E03	16048-KEC3-900	0	E05
12209-GDB4-C00	1	E02	14711-KGBG-C00	0	E02	16051-KGC5-90A	4	E05

PART NO. INDEX

PART NO.	VERSION	PAGE	PART NO.	VERSION	PAGE	PART NO.	VERSION	PAGE
16053-KEC3-900	0	E05	16142-KGC5-900	1	E05	1755A-LDC8-E10	1	F18
16068-KGC5-900	6	E05	16150-KEC3-900	0	E05	17620-LDC8-E10	1	F19
16069-KGC5-900	4	E05	16154-KGC5-900	3	E05	17910-LDC8-E10	1	F03
16070-KEC3-900	0	E05	16165-KGC5-900	0	E05			
16074-KEC3-900	0	E05	16170-KGC5-900	2	E05	18000		
16079-KHC4-900	2	E05	16179-KEC3-900	1	E05			
16087-LAB4-900	0	E05	16180-KGC5-900	3	E05	18291-GGA7-C00	0	F14
16088-KEC5-900	0	E05	16181-KEC3-900	1	E05	18291-KEBE-C00	0	F14
16093-5082-000	0	F09	1621A-KGBG-C00	2	E02	18292-KEBE-C00	0	F14
16093-KEC3-080	0	E05	1691A-LDF7-E10	1	F10	18293-KEBE-C00	0	F14
16095-KGC5-038	1	E05	16950-KKJ9-C00	2	F10	18294-KEBE-C00	0	F14
16100-ALC8-E61	6	E05	17000			1830A-LGB5-E10	3	F14
16111-KEC3-900	1	E05				18318-LDA6-B80	0	F14
16116-KGC5-900	0	E05				18646-LDC8-E10	1	E02
16119-KEC3-900	1	E05	1711A-LDC8-E11	2	E02	18656-LDC8-E10	1	F21
16120-KEC3-900	0	E05	17200-LDC8-E11	1	F13	18657-LDC8-E10	1	F21
16121-KEC3-900	0	E05	1720A-LDC8-E11	0	F13	1880A-LDC8-E10	2	F21
16122-KEC3-900	0	E05	17213-LBD6-E00	1	F13	1880B-LDC8-E10	2	F21
16123-KGC5-900	0	E05	17214-LBA6-E00	0	F13	18814-LDC8-E10	1	F21
16124-KEC3-900	0	E05	17236-KFBF-C00	0	F13			
16131-KGC5-900	1	E05	1723B-LBD6-E00	1	F13	19000		
16132-KEC5-900	0	E05	1723C-LBD6-E00	0	F13			
16133-KGC5-900	1	E05	17256-KGBG-C00	0	E02	19411-KNBN-C10	1	F13
16136-KGC5-900	1	E05	17257-LDC8-E00	1	F13	19411-KNBN-C10	1	F20
16138-KEC3-900	1	E05	17500-ALC8-E60	0	F10	19510-LDC5-C00	0	E08
16140-KEC3-900	0	E05	1755A-KKD5-C10	1	F10	19610-LFC2-E10	1	E08

PART NO. INDEX

PART NO.	VERSION	PAGE	PART NO.	VERSION	PAGE	PART NO.	VERSION	PAGE
19625-KEE1-C00	0	E08						
1962A-KEE1-C00	0	E08	23000			30000		
1963A-LDC8-E10	1	E08						
21000			2301A-LDC8-C10	1	E06	30410-LBD6-C00	1	F19
			23100-KEB7-C00	0	E06	3051A-KHC4-C00	1	F19
			23200-LDC8-C10	0	E06			
21200-KFA1-900	2	E09	23210-LDC8-C10	1	E06	31000		
21395-KNBN-C10	0	E09	23220-LDC8-C10	0	E06			
22000			23225-GAR1-C00	0	E06	31100-LDC8-E11	4	E08
			23233-KEE1-C10	1	E06	31110-LEJ2-E11	00	E08
			23237-GAR1-C00	0	E06	31120-LDC8-E10	2	E08
22100-LDC8-C10	0	E06	23238-GGS7-C00	0	E06	31200-LDC8-E10	1	E07
22102-LDC8-E10	0	E06	23411-ALC8-E60	1	E09	31209-KEE1-C00	2	E07
22103-KEB7-C00	0	E06	23420-ALC8-E60	3	E09	31500-ALC8-E60	5	F11
22105-KGBG-C00	0	F09	23432-ALC8-E60	2	E09	31600-KUDU-C00	2	F19
22105-LBD6-C00	0	E06	2343A-KNBN-C00	0	E09			
22110-LDC8-E10	2	E06	28000			32000		
22121-LBD6-C00	2	E06						
22131-GHAH-C00	0	E06				32100-ALC9-E10	0	F19
22132-GLW0-C00	0	E06	28211-KEB7-W10	0	E06	32161-4D04-001	1	F13
22300-GGAG-750	1	E06	2823A-LBD6-C00	2	E01			
22350-GKAK-C00	0	E06	28250-GBN2-C00	0	E01	33000		
22401-LDC8-E10	0	E06	28253-GBN2-C00	1	E01			
22530-GKAK-C00	1	E06	28255-GFS6-C00	1	E01	33101-ALC8-E60	0	F01
22804-1H48-C00	0	E06	28281-GBN2-C00	1	E01	33107-ALC8-E60	0	F01
			28300-KNBN-C00	3	F15	33108-ALC8-E60	0	F01

PART NO. INDEX

PART NO.	VERSION	PAGE	PART NO.	VERSION	PAGE	PART NO.	VERSION	PAGE	
3310A-ALC8-E60	0	F01	35400-LDC8-E10	0	F19	43000			
33120-ALC8-E60	0	F01							
33400-ALC8-E60	3	F17	37000						
33450-ALC8-E60	1	F17					4312A-KXCX-C00	8	F08
33600-ALC8-E60	3	F17	37200-ALC9-E10	1	F02		4314A-KKD6-E00	2	F08
33650-ALC8-E60	1	F17	37211-LCB9-C10	0	F02		43410-KFA1-C00	8	F08
33701-LDC8-E10	2	F18	37220-LCB9-C10	0	F02		43450-LDC8-C00	4	F03
33702-LDC8-E10	0	F18	37224-ALC9-E10	1	F02				
33708-LDC8-E10	0	F18	37802-GGA7-C00	1	F10		44000		
33731-KGB5-C00	2	F06	3780A-LDC8-E10	0	F10				
33741-KEBE-C00	0	F18				44305-KGE2-E00	9	F07	
34000			38000			44306-KGE2-E00	9	F07	
						44306-KGE2-E00	9	F09	
			38110-KGC4-B50	2	F19	44311-GLW0-W10	1	F07	
34901-LDC8-E10	1	F01	38300-KECE-W10	2	F02	44601-KEB7-E0E	0	F07	
34903-LDC8-E10	1	F01	38500-KKDK-C00	5	F19	44601-KEB7-E0E	1	F07	
34906-LBA8-E80	1	F18				44620-KEB7-E00	0	F07	
34908-KKAK-C00	1	F02	42000			44710-LDC8-E10	2	F07	
34908-LCB9-C10	0	F02				44800-LDC8-E10	1	F07	
35000			42601-KEB7-C00	0	F08	44830-LDC8-E10	3	F02	
			42601-KEB7-C00	1	F08				
			42710-LDC8-E10	3	F08	45000			
35010-ALC8-E60	0	F19	42753-ALC8-E60	0	F07				
3515A-LGB5-E10	3	F03	42753-ALC8-E60	0	F08	45105-LFC2-305	0	F04	
3520A-LGB5-E10	3	F03				45121-LGB5-E10	2	F07	
35340-KNBN-901	1	F04				45126-ALC8-E60	0	F04	

PART NO. INDEX

PART NO.	VERSION	PAGE	PART NO.	VERSION	PAGE	PART NO.	VERSION	PAGE
45156-KHC5-E10	0	F06				53214-2L50-C00	1	F06
45156-LCB9-B20	0	F06	51000			53215-2L50-C00	1	F06
45200-ALA9-E70	0	F04						
45500-LDC8-E10	3	F04	51400-LDF7-E10	0	F06	61000		
4550B-ALC8-E60	0	F04	51500-LDF7-E10	0	F06			
45513-KAFA-900	0	F04				61100-LDC8-E10	0	F06
45517-KFAF-910	1	F04	52000			61301-ALC8-E60	0	F01
50000			52400-LDC8-E10	0	F16	64000		
			52400-LDC8-E10	2	F16			
50100-ALC9-E10	0	F20				64301-ALA9-E70	0	F05
50301-GLM0-C00	1	F20	53000			64303-ALC9-E10	0	F05
50302-2H68-C00	2	F20				64310-LCB9-C10	0	F05
50306-1F96-C00	1	F06	53100-LCB9-C10	2	F03	64315-ALC9-E10	0	F20
50326-LCB9-C10	0	F11	53105-KNBN-C00	0	F03	64316-LCB9-C10	4	F05
50330-KEBE-C00	1	F05	53125-GEN5-C00	1	F03			
50350-LDC8-E10	3	F20	53140-KNBN-C00	0	F03	77000		
50500-ALC9-E10	0	F15	53166-KNBN-C00	0	F03			
50505-KEBE-C00	0	F20	53175-LDC8-E10	1	F04	77200-LCB9-C10	0	F09
50530-ALC9-E10	0	F15	53178-LGB6-E10	0	F03	77232-KCAC-C00	2	F12
50531-KEB7-E00	1	F15	5317B-LGB6-E10	3	F03	77235-KGC4-C00	2	F19
50535-KEB7-W10	3	F15	53200-ALC8-E60	0	F06	77239-GFY6-C00	0	F19
50550-KFA6-C00	1	F15	53205-LEB9-B50	0	F03	77240-LDC8-E10	1	F12
50611-LCB9-C10	1	F20	53206-LCB9-C10	0	F03			
50612-LCB9-C10	1	F20	53211-GFY6-C00	1	F06			
50613-LCB9-C11	0	F20	53212-2L50-C00	1	F06			

PART NO. INDEX

PART NO.	VERSION	PAGE	PART NO.	VERSION	PAGE	PART NO.	VERSION	PAGE
80000			83000			88000		
80100-LDC8-E10	0	F18	83500-LCB9-C10	0	F12	88110-LCB9-C10	2	F03
80101-LCB9-C10	0	F18	83600-ALC8-E60	0	F12	88120-LCB9-C10	1	F03
80101-LCB9-C10	1	F18	83601-ALC8-E60	0	F12			
80105-LDC8-E10	0	F18	83602-ALC8-E60	0	F09	89000		
80106-LDC8-E10	0	F18						
80107-LDC8-E10	1	F18	86000			89010-KGBG-C00	1	F09
80151-LCB9-C10	0	F12				89020-KKC4-900	1	F09
			86102-KFA6-C10	0	F22			
81000			86201-ALC9-E10	0	F22	90000		
81131-ALA9-E70	1	F05	87000			9000A-KTDT-C00	1	E01
81132-LCB9-C10	0	F05				90012-3C33-C00	1	E02
81200-ALC8-E60	0	F12	87224-LDC8-E10	2	F22	90031-KGBG-C00	0	E01
81250-LCB9-C10	1	F12	87224-LDC8-E10	3	F22	90032-KGBG-C00	0	E01
81250-LCB9-C10	2	F12	87505-LDC8-E10	2	F22	90033-0A41-C00	0	E02
81251-LCB9-C10	0	F12	87505-LDC8-E10	3	F22	90033-GFY6-C10	2	E02
81300-ALC9-E10	0	F12	87541-GAR1-C01	0	F22	90102-GLE0-001	0	F15
81305-ALC9-E10	0	F12	87541-GAR1-C01	1	F22	90105-KCR3-001	3	F07
81400-ALC8-E60	0	F12	87542-GAR1-C01	2	F22	90105-LDC8-E10	2	F20
8145B-ALC8-E60	0	F12	87560-GFY6-C01	3	F22	90105-LLJ3-E00	3	F09
						90106-GEN5-901	1	F03
						90108-KFA6-E00	1	F15
						90110-KEB7-C00	1	F06

PART NO. INDEX

PART NO.	VERSION	PAGE	PART NO.	VERSION	PAGE	PART NO.	VERSION	PAGE
90110-LDC8-E10	0	F14	90429-KNBN-C00	0	E09	91004-KBN2-C00	0	E09
90111-1G87-C00	1	F12	90442-0D44-C00	0	E06	91004-KNBN-C00	0	E01
90112-KRDR-C00	1	F19	90442-GFF6-C00	0	E02	91009-GLE0-C00	1	E09
90121-KBE2-C00	4	F07	90451-GBN2-C00	1	E01	91014-LLJ3-C00	1	F06
90131-GLW0-C00	0	F04	90454-GBB2-C00	0	E06	91015-LLJ3-C00	1	F06
90145-9A61-C00	1	F04	90474-3C33-C00	1	E01	91103-GAR1-C00	0	E06
90202-1G87-C00	0	E06	90501-KNBN-C00	1	F08	91201-KGBG-C00	0	E04
90202-GFF6-011	0	E02	9052A-GFY6-C00	1	E01	91202-GFY6-C00	1	E01
90206-0A01-001	2	E02	90545-3L00-C00	2	F04	91204-KNBN-C00	1	E01
90215-KKC4-C00	1	F18	90656-GFY6-911	1	F19	91211-KEE1-C00	0	E06
90301-4C73-C00	0	F15	90656-KUDU-900	0	F19	91255-LDC8-E10	4	E09
90301-KGBG-C00	0	F14	90660-KGBG-C00	0	F10	91258-KAM1-C00	1	F07
90302-GFY6-C00	1	F18	90668-LDC8-E10	1	F06	91301-GLR0-W10	1	E03
90302-KNBN-C00	1	F03	90683-GAR1-C00	4	F12	91301-KEE1-C00	0	E06
90302-SDA4-C00	2	F05	90683-GAR1-C00	4	F18	91302-0A01-C00	1	E04
90302-SDA4-C00	2	F18	90701-GFF6-C00	0	E02	91302-KEE1-C00	0	E06
90302-SDA4-C00	2	F20	90701-GFF6-C00	0	E03	91305-0H28-C00	0	E07
90304-4H38-C00	0	E02	90701-HDC4-C00	1	E07			
90304-GHE8-C00	1	F03	90741-0E35-C00	0	E03	92000		
90304-GHE8-C00	1	F20	90754-GHC8-C00	1	F07			
90305-GHK8-C00	1	F12	90912-GHC8-C00	1	F07	92101-05012-0H	2	E08
90305-KNBN-C00	1	F08				92101-10020-0G	0	F01
90306-KLF0-C00	0	F07	91000			92101-10045-0G	0	F01
90381-GEZ5-C00	1	F12				92900-06050-0B	1	E02
90412-3K29-C00	1	E01	91001-GGA7-C00	0	E06			
90426-KNBN-C00	1	E06	91004-KBN2-C00	0	E01			

PART NO. INDEX

PART NO.	VERSION	PAGE	PART NO.	VERSION	PAGE	PART NO.	VERSION	PAGE	
93000			93903-35380	2	F11	94111-10700	0	F01	
			93903-GFY6-C00	2	F05	94301-08140	4	E01	
			93903-GFY6-C00	2	F12	94301-08140	4	E04	
	93404-06012-07	5	F18	93904-35380	2	E08	94301-10200	2	E09
	93404-06016-07	0	F05			94510-20000	1	E09	
	93404-06016-07	0	F12	94000		94511-14000	1	E01	
	93404-06016-07	0	F18			94520-24000	1	E06	
	93404-06016-07	0	F20	94001-04007-0S	0	F01	94591-27000	0	F05
	93404-06020-07	4	F05	94001-12280-0S	0	E06	94591-LDC8-E10	1	E08
	93404-06030-07	2	F18	94031-10700	0	F01			
93500-04010-1A	0	E05	94050-05080	2	F06	95000			
93500-04012-1H	0	E05	94050-05080	2	F17				
93500-04035-0G	0	F01	94050-05080	2	F18	95002-02070	2	E05	
93500-05012-1A	0	E05	94050-06070	0	F20	95002-KKD6-C00	1	F21	
93600-04012-1G	1	F04	94050-06080	2	E02	9500B-LDC8-E10	3	F10	
93700-05018-0H	1	F02	94050-06080	2	E07	95701-06012-08	3	F06	
93891-05035-07	0	F03	94050-06080	2	F01	95701-06012-08	3	F10	
93892-04008-18	0	E05	94050-06080	2	F09	95701-06016-08	1	F19	
93903-25220	1	F02	94050-06080	2	F10	95701-06022-07	1	F15	
93903-25480	1	F13	94050-06080	2	F18	95701-06025-07	2	F12	
93903-34380	6	F03	94050-06080	2	F19	95701-06025-08	2	E02	
93903-34380	6	F05	94050-06080	2	F20	95701-06032-08	1	E02	
93903-34380	6	F12	94050-10080	1	E06	95701-06032-08	1	F08	
93903-34380	6	F18	94050-10080	1	E08	95701-06032-08	1	F13	
93903-34380	6	F20	94102-10700	0	F01	95701-06038-07	0	F12	
93903-35380	2	F03	94111-04700	0	F01	95701-06040-07	0	F12	

PART NO. INDEX

PART NO.	VERSION	PAGE	PART NO.	VERSION	PAGE	PART NO.	VERSION	PAGE
95701-06040-08	0	F13	96001-06022-08	0	E08			
95701-08012-08	2	E01	96001-06025-00	0	F04			
95701-08016-07	0	F12	96001-06025-08	4	E07			
95701-08016-07	0	F20	96001-06025-08	4	E08			
95701-08020-07	0	F12	96001-06025-08	4	F18			
95701-08035-07	0	F12	96001-06085-08	0	E02			
95701-08035-08	1	E01	96001-06085-08	0	E04			
95701-08040-08	3	E01	96001-06100-08	2	E04			
95701-10020-07	0	F01	96100-62033-00	1	E01			
95701-LDC8-E10	0	F19	96220-LDC5-C00	0	E07			
95701-LHM9-E60	1	F19						
95801-08032-08	0	F16	98000					
95801-08040-08	4	F06						
95801-08055-07	0	F14	98056-5771R	0	E02			
95801-10035-08	1	F16	98200-10700	2	F11			
95801-10070-08	2	F20						
95801-KGB5-C00	1	F14						
96000								
96001-06012-02	1	E01						
96001-06012-08	3	F18						
96001-06016-08	6	E08						
96001-06016-08	6	F19						
96001-06018-08	1	E03						
96001-06020-08	2	E07						