

PARTS CATALOGUE



SCOOTERS

SF10AG(FL)

COBRA RACER



Release Date : 2010/02/03
Print Date : 2010/12/14

ABOUT THIS PARTS LIST

- This parts list is compiled all service parts for model SF10AG(FL).
- Any difference between color chart and motorcycle will be revised according to motorcycle.
- The Mark:
 1. Marking "***" must add color code in the end before ordering parts.
 2. Marking "#" are parts with modification, Please find the details from e-Parts system.
- When modification or additions to this parts list are made a revised edition at an appropriate time.

CONTENTS

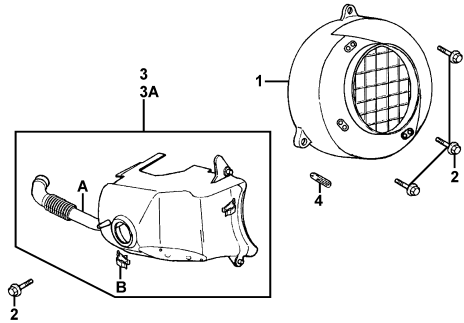
● ABOUT THIS PARTS LIST	1
● COLOR CHART OF SF10AG(FL)	3
● CONTENTS-ENGINE GROUP	6
● CONTENTS-FRAME GROUP	8
● ENGINE PARTS LIST	11
● FRAME PARTS LIST	39
● PART NO. INDEX	99

NO	MODEL			COLOR CHART OF SF10AG(FL)			
	PHOTO NO			NO. 1	NO. 2		
	BASIC COLOR			Vivid Red	Purple Mettalic		
	CODE			Vivid Red	Purple Mettalic		
	PARTS NAME	PARTS NO.	VERSION	RR134SA	PP029MA		
1	COVER FRONT	64301-KEB7-800	1	DDE	DGC		
2	LEVER R STRG HNDL	53175-KTCT-900	1	M2A			
3	LEVEL L STRG HANDLE	53178-GKAK-901	0				
4	COVER BATTERY	50326-KEB7-900	0	N1R			
5	COVER UNDER	50613-KEB7-900	0				
6	GRIP COMP THROT	53140-KNBN-960	0				
7	GRIP HANDLE L	53166-KNBN-911	0				
8	COVER RR HANDLE	53206-KEB7-900	1				
9	FLOOR PANEL	64310-KEB7-900	3				
10	PLUG FLOOR PANEL	64316-KEB7-900	0				
11	FENDER A REAR	80101-KEB7-900	0				
12	FENDER B REAR	80107-KEB7-900	1				
13	FENDER B ASSY RR	8011A-KEB7-900	0				
14	COVER CENTER	80151-KEB7-900	0	N1S			
15	COVER PLUG MAINT	80153-KEB7-900	0				
16	LEG SHIELD	81131-KEB7-900	1				
17	LID LEG SHIELD	81132-KEB7-900	1				
18	LID INNER BOX	81141-KEB7-900	1				
19	GRILL R BODY COVER	83501-KEB7-900	0				
20	GRILL L BODY COVER	83601-KEB7-900	0	N4P			
21	CARRIER ASSY	7730A-KEB7-E00	1				
22	FENDER FR	61110-KEB7-800	0	NEA			
23	SPOILER FRONT	64302-KEB7-900	1				
24	COVER L SIDE	11341-KEB7-900	3	NJA			
25	WHEEL COMP RR CAST	42601-KEB7-E0E	2				
DATE OF STARTING-SALES							
DATE OF END-SALES							

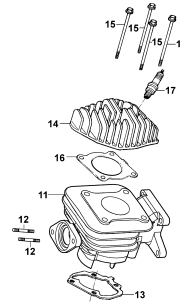
NO	MODEL			COLOR CHART OF SF10AG(FL)			
	PHOTO NO			NO. 1	NO. 2		
	BASIC COLOR			Vivid Red	Purple Mettalic		
	CODE			Vivid Red	Purple Mettalic		
	PARTS NAME	PARTS NO.	VERSION	RR134SA	PP029MA		
26	WHEEL FR CAST	44601-KEB7-E10	0	NJA			
27	WHEEL SET FR	44650-KEB7-315	2				
28	CALIPER ASSY FR L	45100-KXCX-E00	4				
29	BAR R RR STEP	50700-KGB5-900	1				
30	BAR L RR STEP	50710-KGB5-900	1				
31	FORK SET R FR	5140A-KEB7-810	9	NQA			
32	BOTTOM CASE R	51420-KEB7-800	1				
33	FORK SET L FR	5150A-KEB7-810	10				
34	BOTTOM CASE L	51520-KEB7-800	0				
35	COVER SET R BODY	83500-KEB7-345	1	R8P	P3P		
36	COVER SET L BODY	83600-KEB7-345	1				
37	COVER REAR CENTER	83750-KEB7-900	0		P9I		
38	COVER SET R SKIRT	83520-KEB7-305	0				
39	COVER SET L SKIRT	83620-KEB7-305	0				
40	COVER FR HANDLE	53205-KEB7-800	2	NEP	P9P		
41	COVER R SIDE	64304-KEB7-E00	2		P9P		
42	COVER L SIDE	64305-KEB7-E00	2				
43	CUSHION ASSY RR	52400-KEB7-E00	1	R8S			
44	SEAT COMP	77200-KEB7-E00	1	T01			
45	LABEL GLOVE BOX	81218-KCAC-P00	0				
46	EMB FR COVER	87206-KNCN-800	3				
47	MARK E/M & RADIO	87223-KEB7-E00	0				
48	LABEL TIRE	87505-KEB7-E10	1				
49	CAUTION SIDE STAND	87541-GAR1-E00	1				
50	MARK MAINT CAUTION	87542-GAR1-E00	2				
DATE OF STARTING-SALES							
DATE OF END-SALES							

CONTENTS - ENGINE GROUP

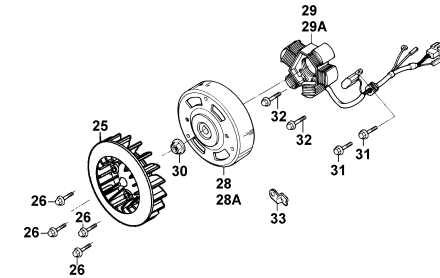
E01 Fan CoverShroud



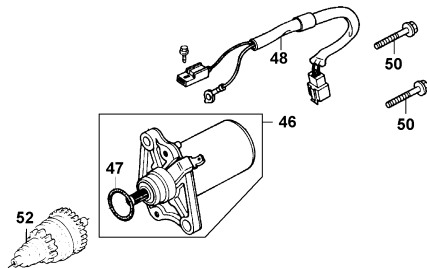
E02 Cylinder HeadCylinder



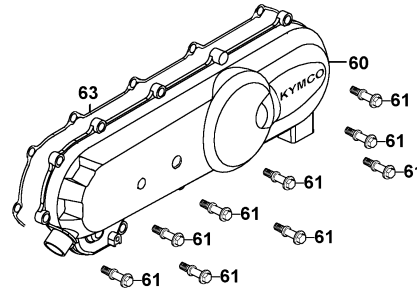
E03 Generator



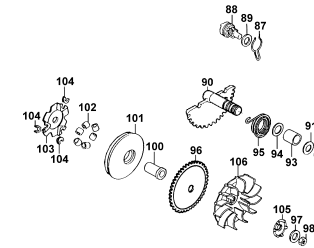
E04 Starting Motor



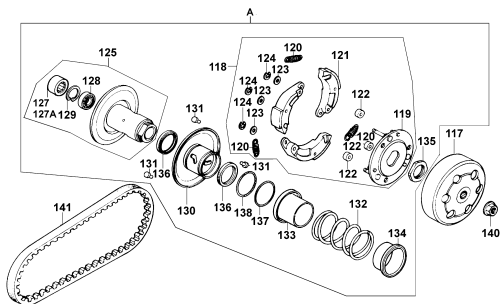
E05 COVER L SIDE



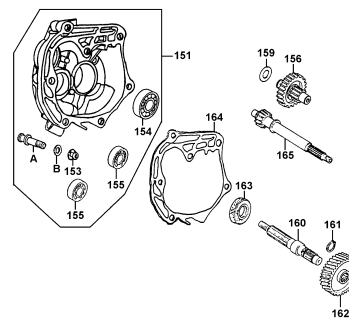
E06 DRIVE FACE



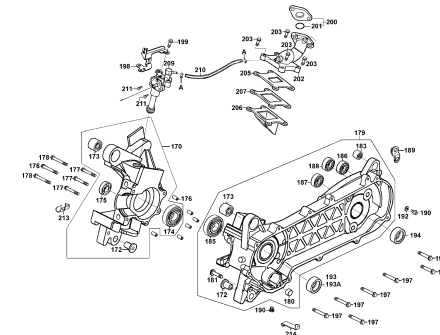
E07 Driven Pulley



E08 Transmission

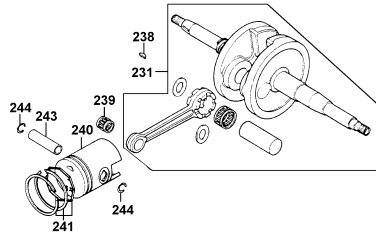


E09 CrankcaseOIL PUMP

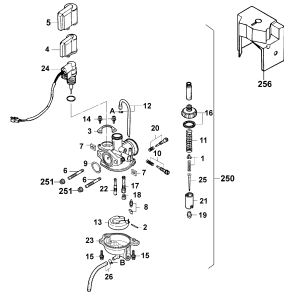


CONTENTS - ENGINE GROUP

E10 CrankshaftPiston

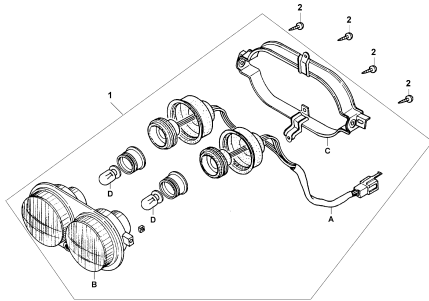


E11 Carburetor

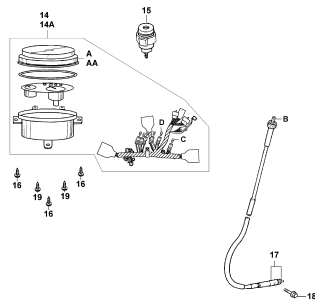


CONTENTS - FRAME GROUP

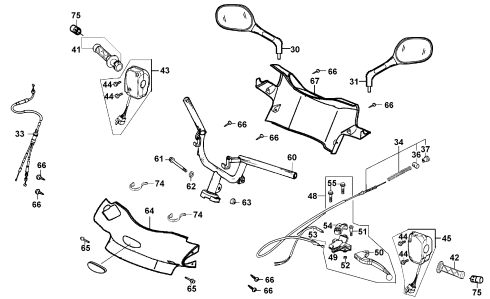
F01 Head Light



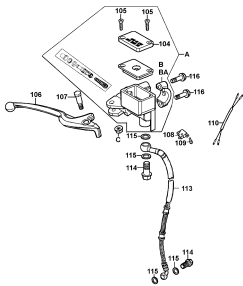
F02 Speedometer



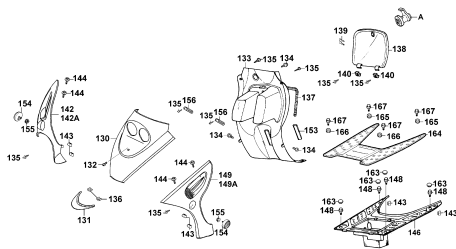
F03 Handle SteeringHandle Cover



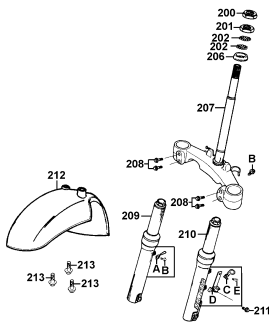
F04 Brake Master Cylinder



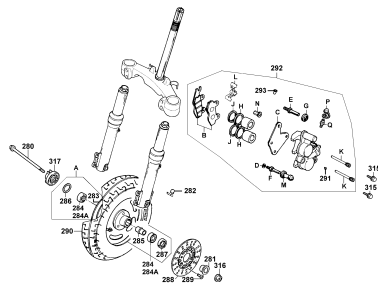
F05 Front CoverFloor Panel



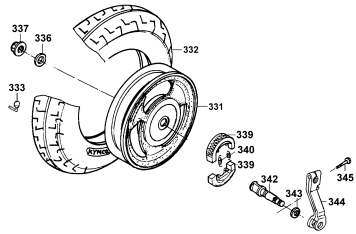
F06 Front Cushion



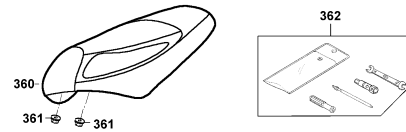
F07 Front Wheel



F08 Rear Wheel



F09 Seat

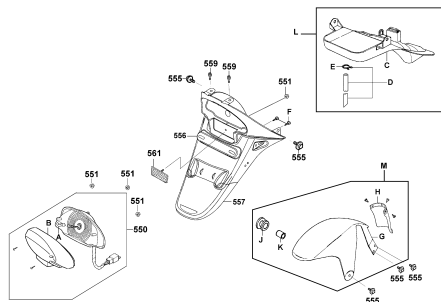


CONTENTS - FRAME GROUP

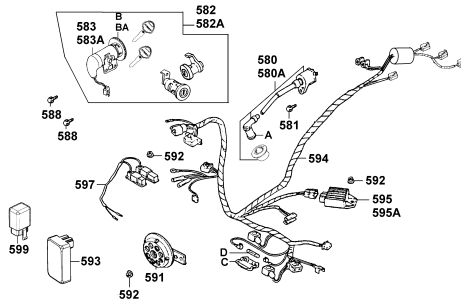
<p>F10 Fuel Tank</p>	<p>F11 Battery</p>	<p>F12 OIL TANK</p>
<p>F13 Body Cover Luggage Box</p>	<p>F14 Air Cleaner</p>	<p>F15 Exhaust Muffler</p>
<p>F16 Stand Kick Starter Arm</p>	<p>F17 Rear Cushion</p>	<p>F18 Winker</p>

CONTENTS - FRAME GROUP

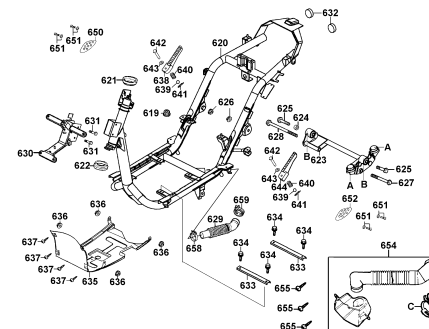
F19 Rear Light/Rear Fender



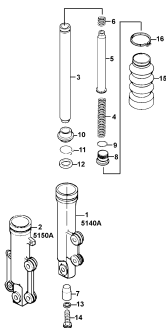
F20 Wire Harness



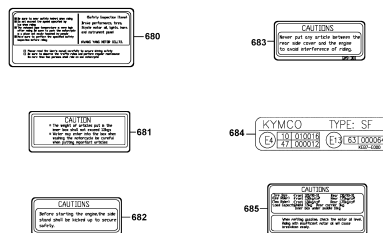
F21 Frame Body



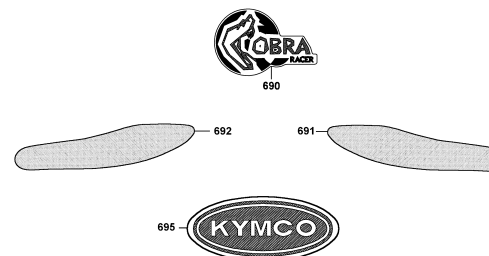
F22 Separated Parts Of Fr Fork



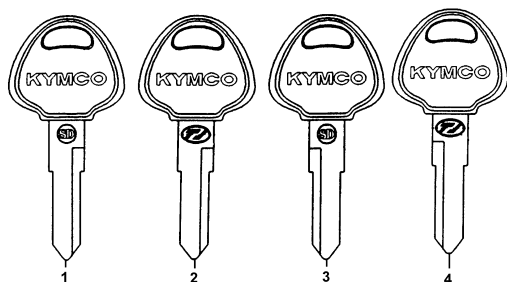
F23 Caution Label

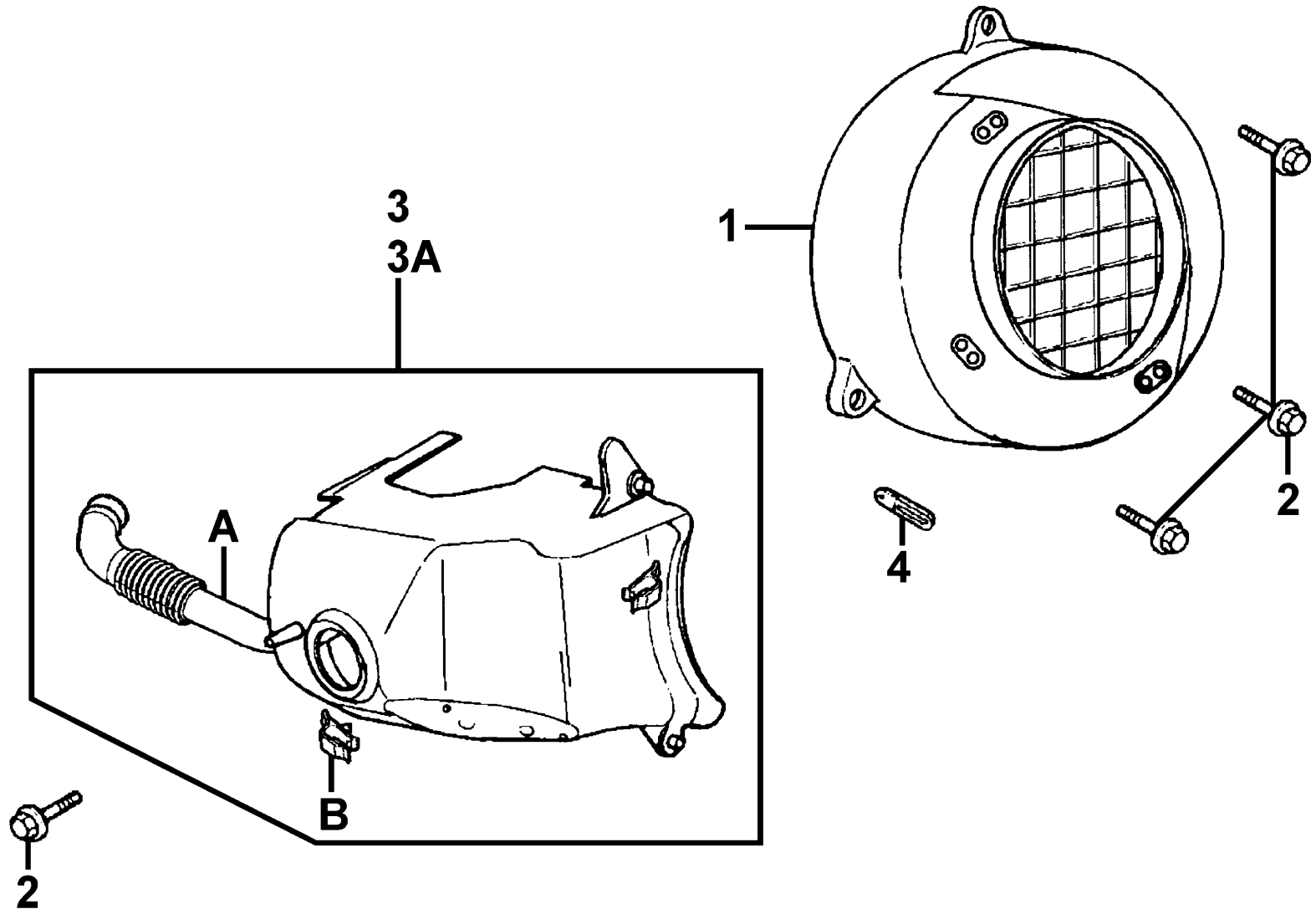


F24 Emblem/Stripe

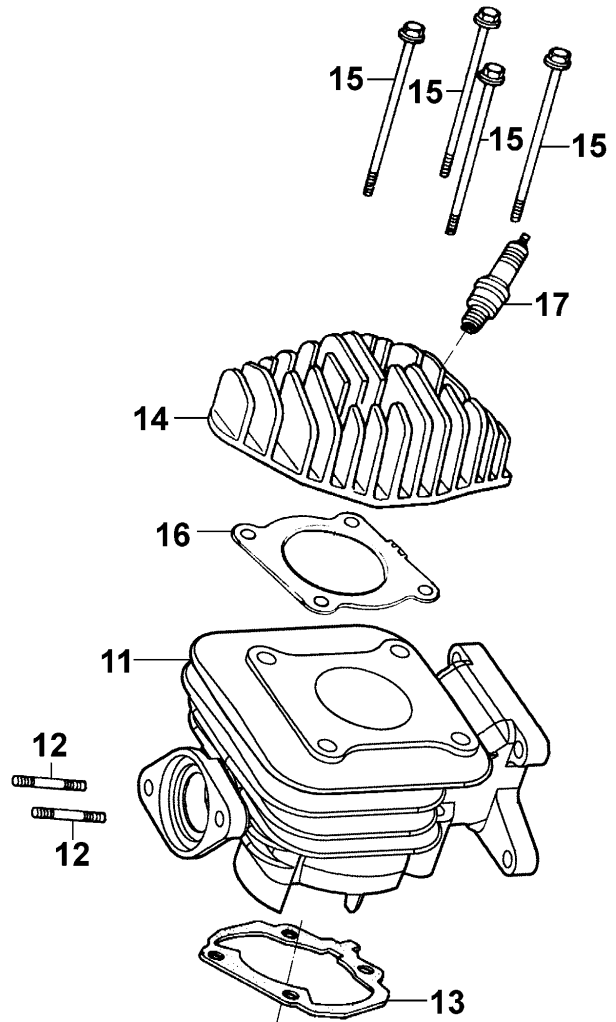


F25 Key

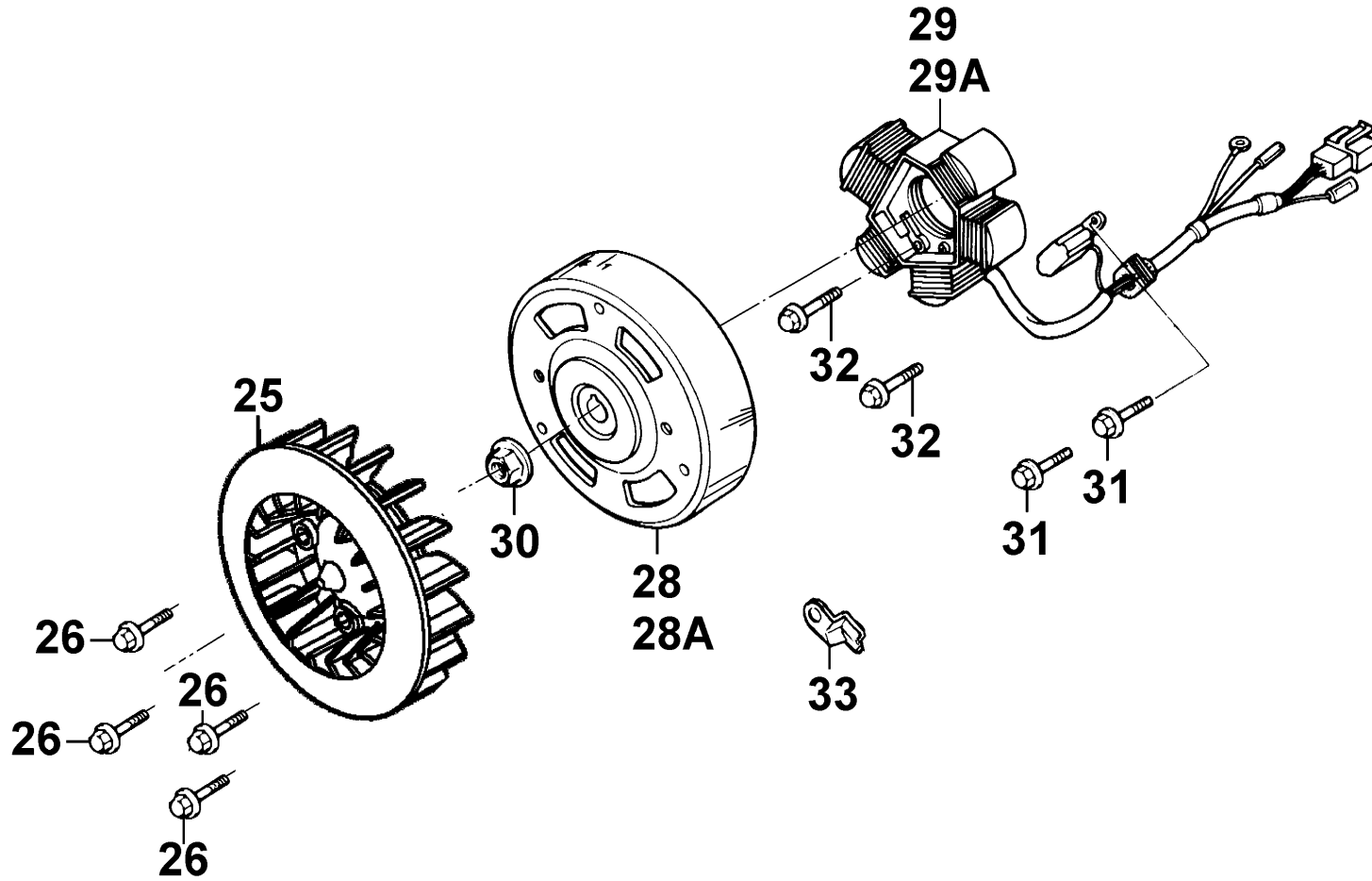




Sales mark	Ref no	Part no	Description	Reg description	Regd no	E01
A		16630-KEB7-E00	DUCT HEAT TRANSFER	DUCT HEAT TRANSFER	1	
1		19600-KEB7-900	COVER COMP FAN	COVER COMP FAN	1	
3A		1962A-KEB7-900	CLIP SET SHROUD	CLIP SET SHROUD	1	
3		1962A-KEB7-E00	CLIP SET SHROUD	CLIP SET SHROUD	1	
B		32161-3C93-004	CLIP HARNESS WIRE	CLIP HARNESS WIRE	2	
4		94591-KFBF-900	CLIP 2*70	CLIP 2*70	1	
2		95701-06025-08	BOLT FLANGE 6*25	BOLT FLANGE 6*25	4	



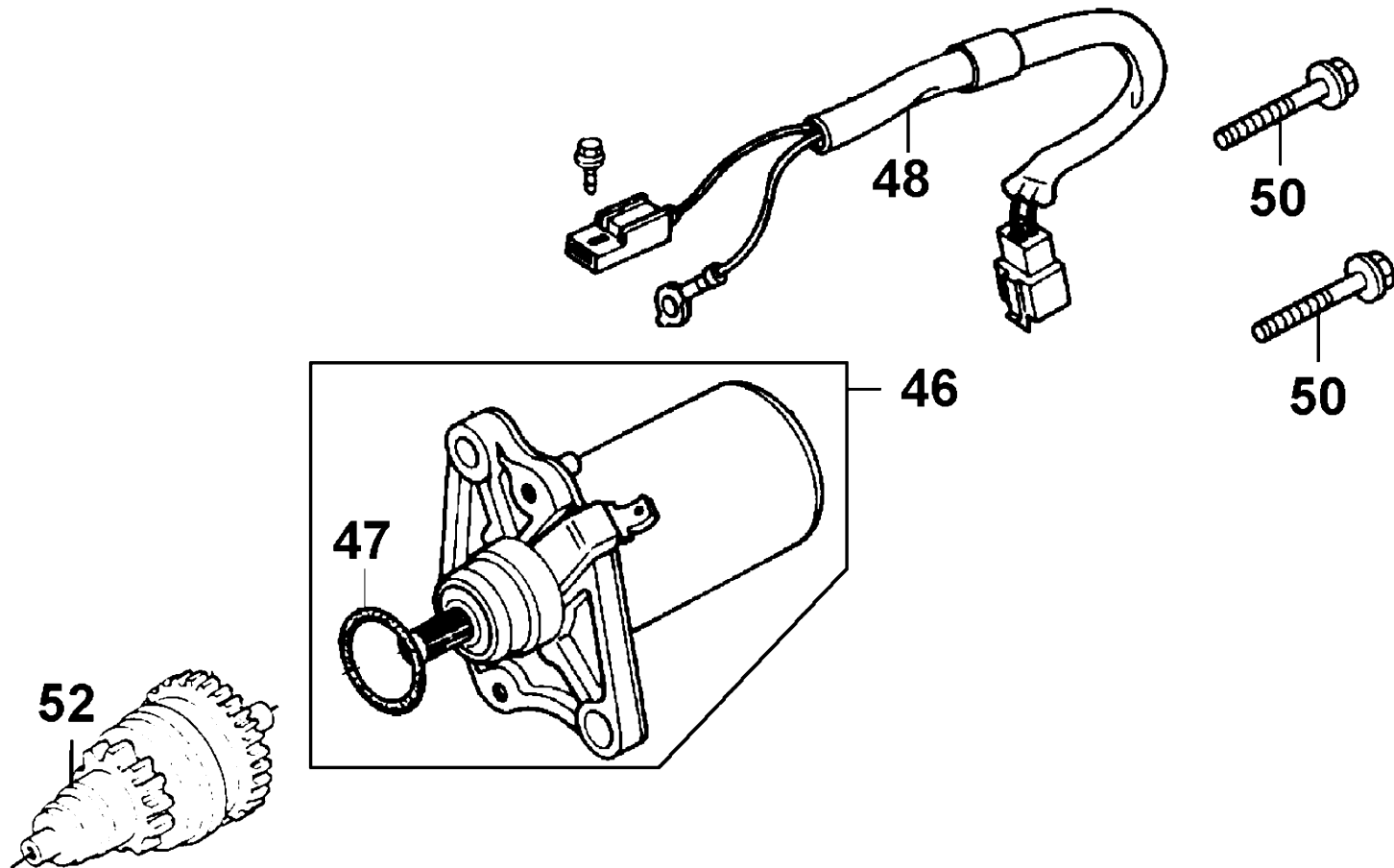
Sales mark	Ref no	Part no	Description	Reg description	Regd no	E02
11		12101-KEB7-901	CYLINDER	CYLINDER	1	
13		12191-KEB7-900	GASKET CYLINDER A	GASKET CYLINDER A	1	
14		12201-KEB7-900	HEAD CYLINDER	HEAD CYLINDER	1	
16		12251-KEB7-900	GASKET CYLINDER HEAD	GASKET CYLINDER HEAD	1	
15		90001-GKAK-901	BOLT FLANGE 7*100	BOLT FLANGE 7*100	4	
12		92700-06028-1B	BOLT STUD 6*28	BOLT STUD 6*28	2	
17		98076-5871G-00	SPARK PLUG (BR8HSA)	SPARK PLUG (BR8HSA)	1	



Sales mark	Ref no	Part no	Description	Reg description	Regd no	E03
33		11108-KEB7-900	HOLDER STATOR WIRE	HOLDER STATOR WIRE	1	
25		19510-GBW2-901	FAN COMP COOLING	FAN COMP COOLING	1	
28		31110-KEB7-90A	FLYWHEEL COMP	FLYWHEEL COMP	1	
28A		31110-KEB7-90B	FLYWHEEL COMP	FLYWHEEL COMP	1	
29		31120-KEB7-90A	STATOR COMP	STATOR COMP	1	
29A		31120-KEB7-90B	STATOR COMP	STATOR COMP	1	
30		94050-10080	NUT FLANGE 10MM	NUT FLANGE 10MM	1	
31		96001-06012-08	BOLT FLANGE 6*12	BOLT FLANGE 6*12	2	
26		96001-06016-08	BOLT FLANGE SH 6*16	BOLT FLANGE SH 6*16	4	
32		96001-06022-08	BOLT FLANGE SH 6*22	BOLT FLANGE SH 6*22	2	

E04

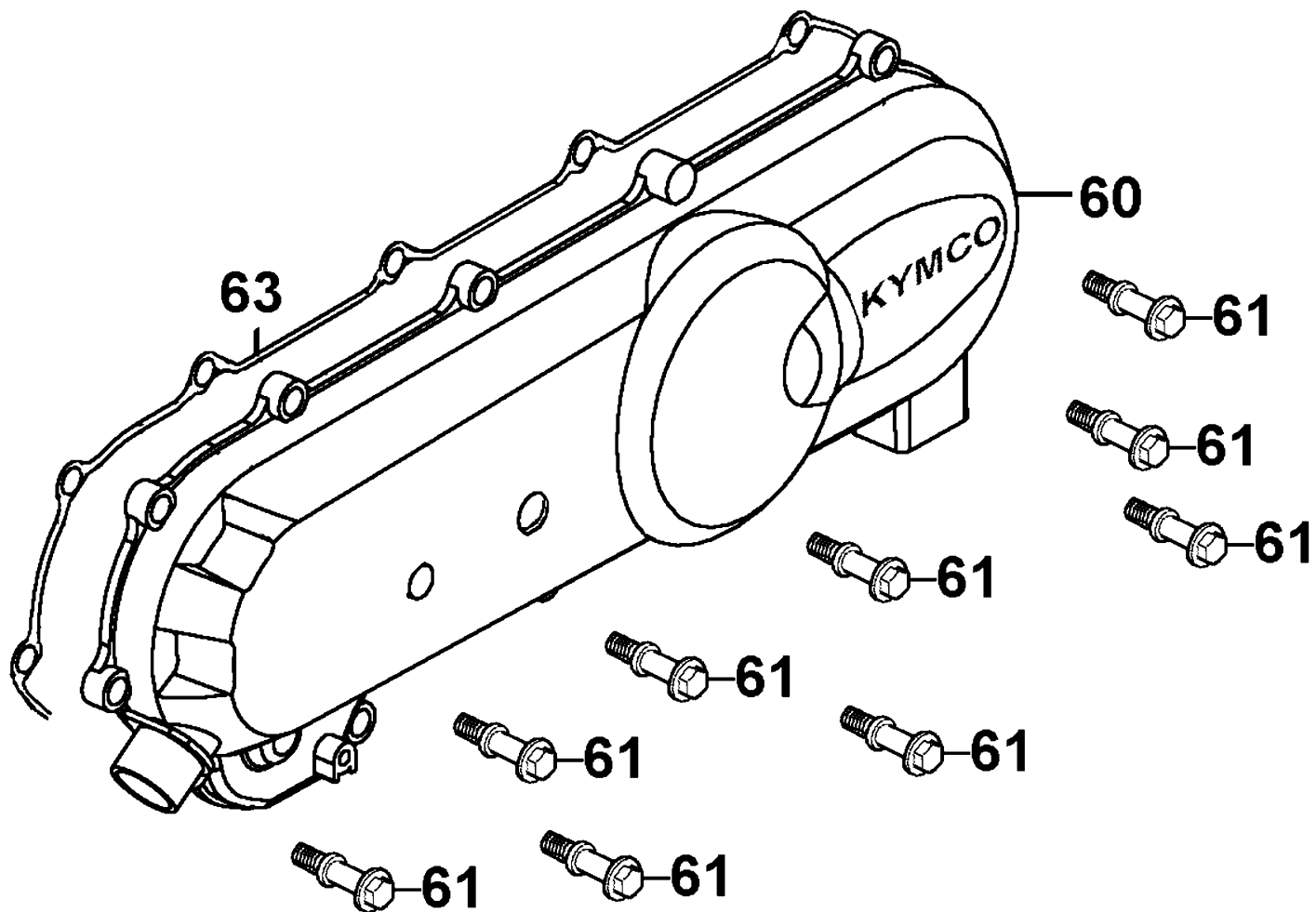
Starting Motor



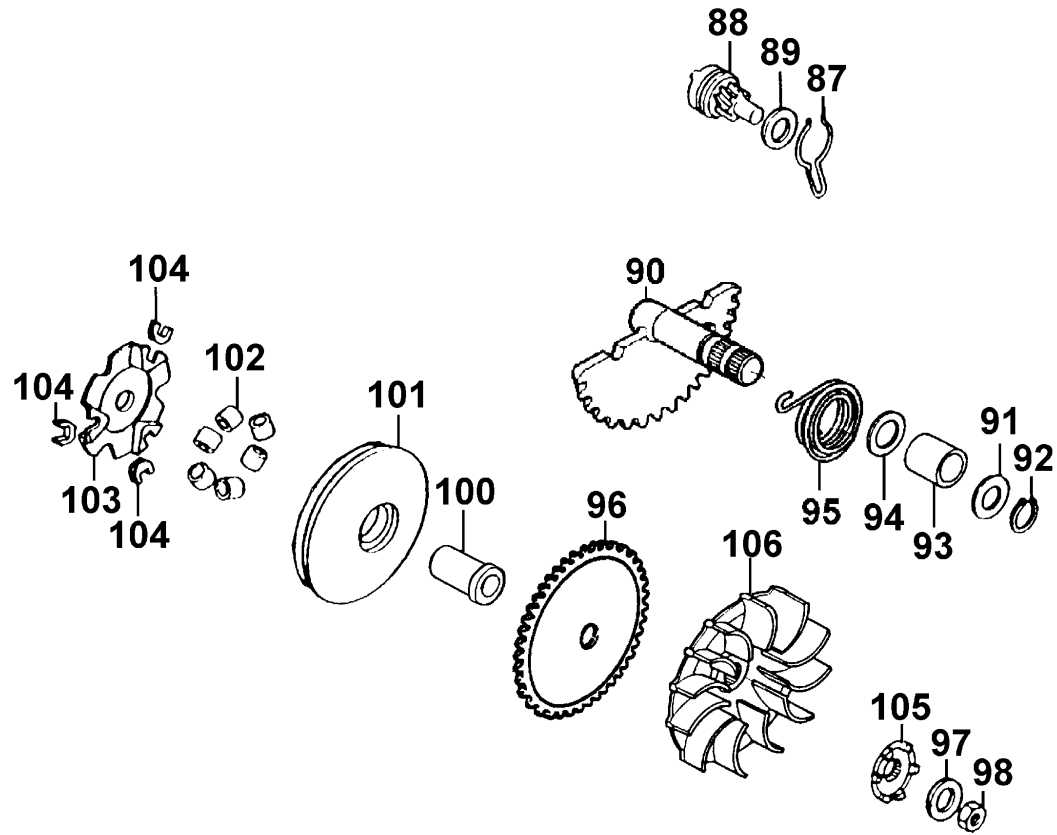
Sales mark	Ref no	Part no	Description	Reg description	Regd no	E04
52		31209-GKAK-901	PINION ASSY STARTER	PINION ASSY STARTER	1	
46		31210-GKAK-90C	MOTOR UNIT START	MOTOR UNIT START	1	
48		32105-KEB7-900	SUB HARNESS	SUB HARNESS	1	
47		91309-GKAK-901	O RING	O RING	1	
50		96001-06025-08	BOLT FLANGE SH 6*25	BOLT FLANGE SH 6*25	2	

E05

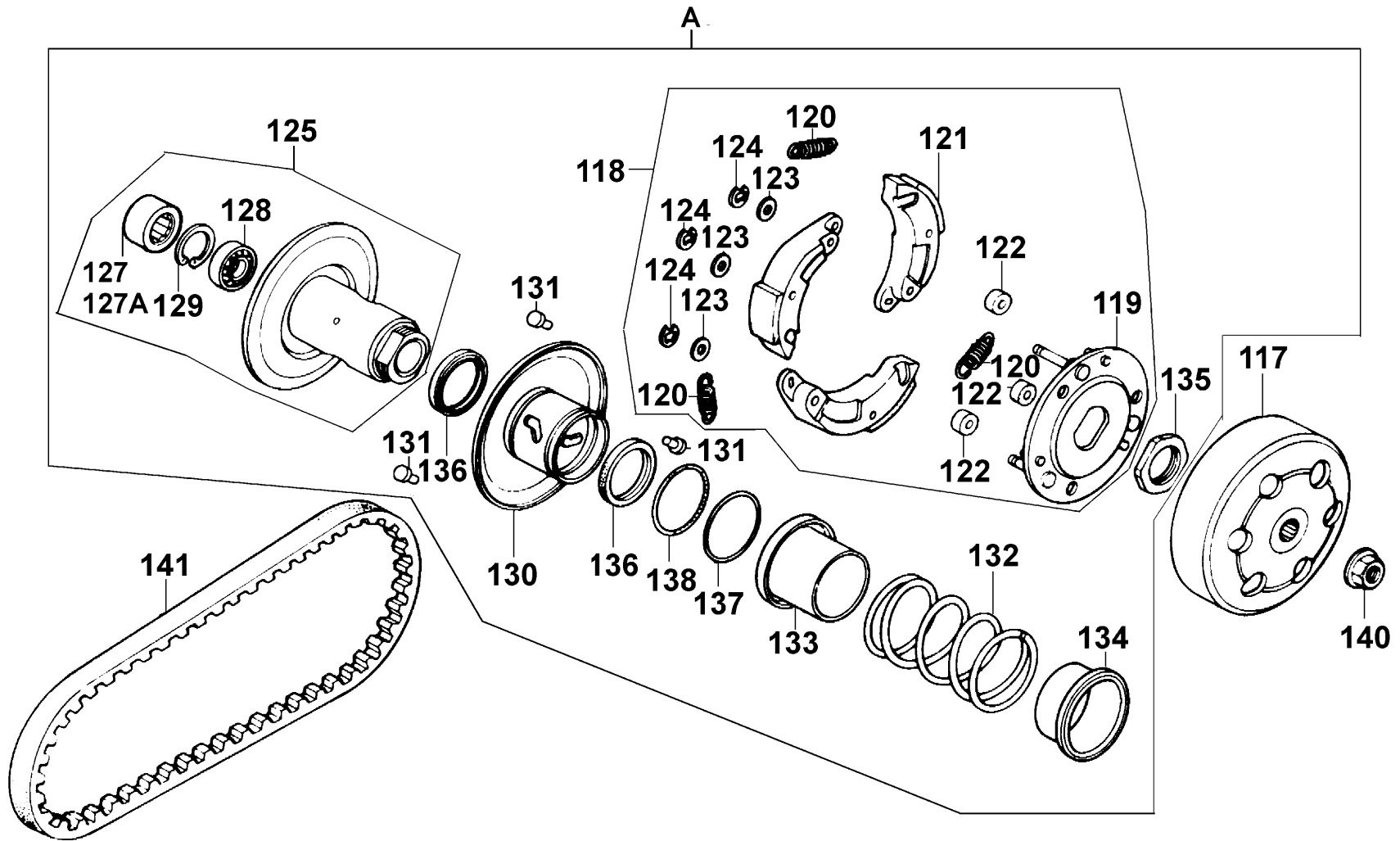
COVER L SIDE



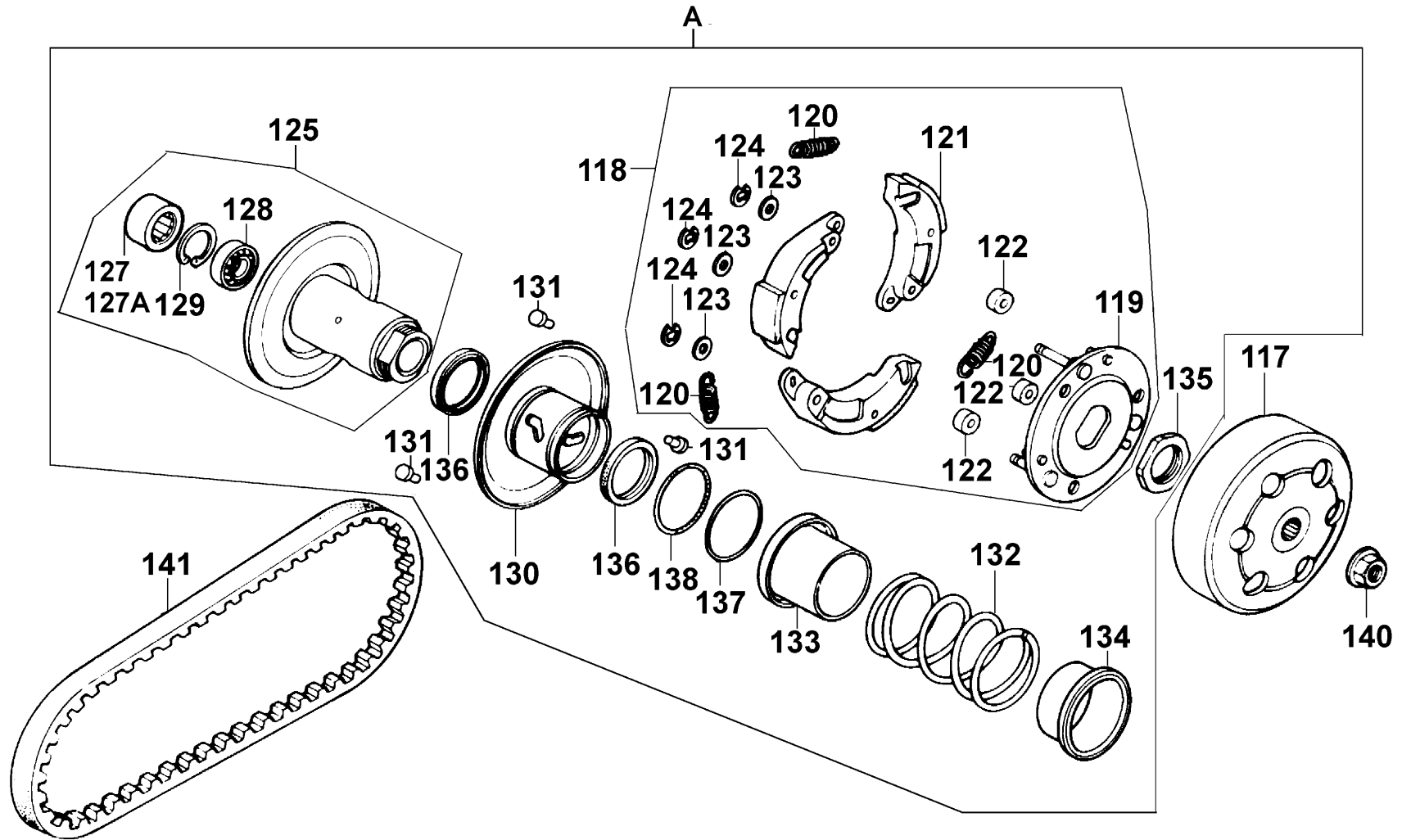
Sales mark	Ref no	Part no	Description	Reg description	Regd no	E05
**	60	11341-KEB7-900	COVER L SIDE	COVER L SIDE	1	
	63	11395-KEB7-900	GASKET L COVER	GASKET L COVER	1	
	61	9000A-KTDT-900	BOLT ASSY SPECIAL 6*29.5	BOLT ASSY SPECIAL 6*29.5	9	



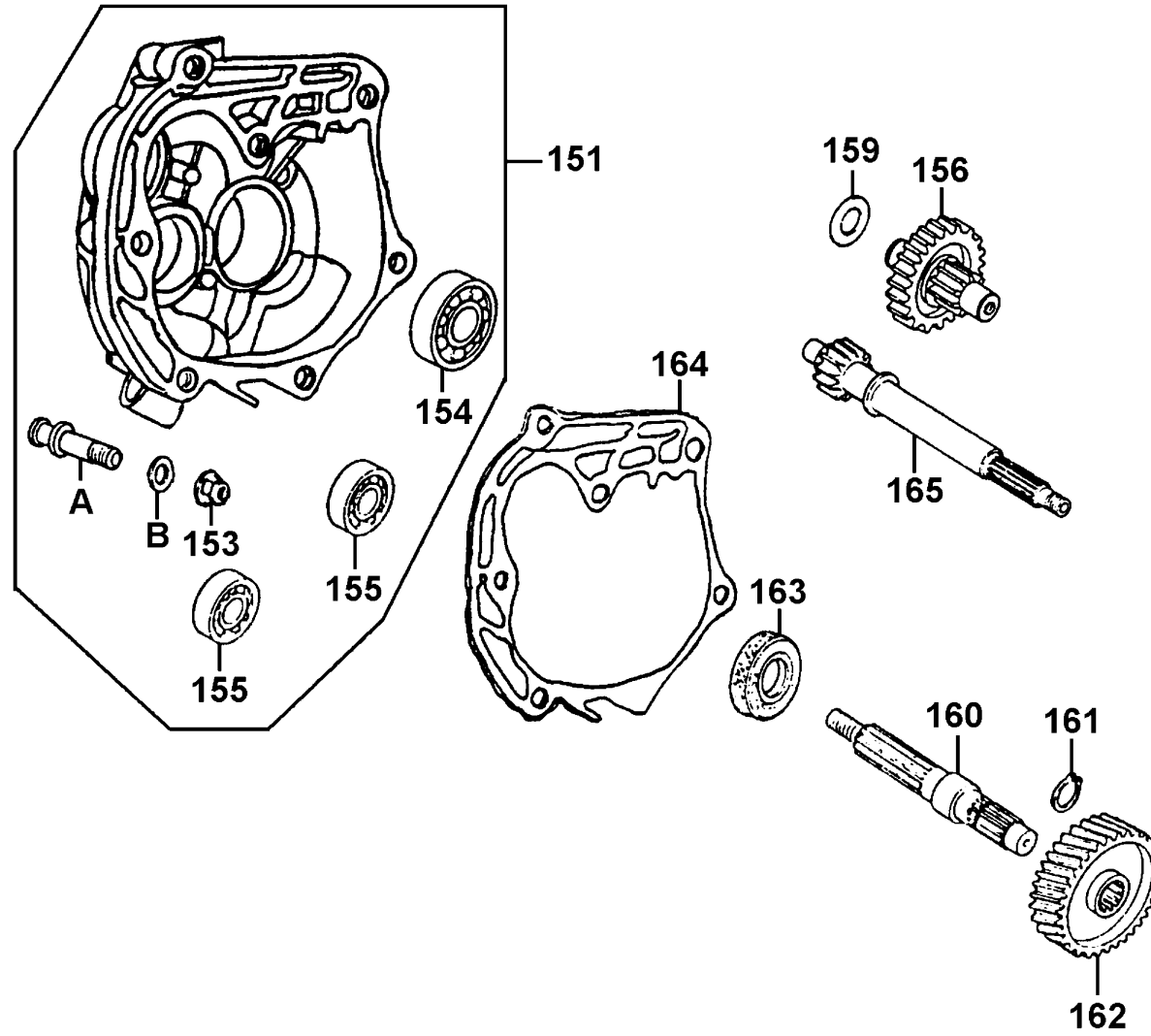
Sales mark	Ref no	Part no	Description	Reg description	Regd no	E06
96		22102-KEB7-900	FACE DRIVE	FACE DRIVE	1	
106		22103-KEB7-900	FAN CVT COOLING	FAN CVT COOLING	1	
100		22105-KEB7-E00	BOSS DRIVE FACE	BOSS DRIVE FACE	1	
101		22110-KFA1-220	FACE COMP MOVABLE DRIVE	FACE COMP MOVABLE DRIVE	1	
102		22121-GLW0-901	ROLLER COMP WEIGHT 8.5 gr	ROLLER COMP WEIGHT 8.5 gr	6	
103		22131-GHAH-781	PLATE RAMP	PLATE RAMP	1	
104		22132-GLW0-001	PIECE SLIDE	PIECE SLIDE	3	
105		28211-KEB7-900	RATCHET KICK STARTER	RATCHET KICK STARTER	1	
87		28223-KNBN-901	SPG KICK DRIVEN GEAR	SPG KICK DRIVEN GEAR	1	
88		28230-GKAK-921	GEAR COMP KICK DRIVEN	GEAR COMP KICK DRIVEN	1	
90		28250-KNBN-901	SPINDLE COMP KICK STARTER	SPINDLE COMP KICK STARTER	1	
93		28253-GBN2-60A	BUSH KICK SPINDLE	BUSH KICK SPINDLE	1	
94		28255-GFS6-001	COLLAR KICK BOSS	COLLAR KICK BOSS	1	
95		28281-GBN2-60A	SPRING KICK RETURN	SPRING KICK RETURN	1	
89		90412-3K29-001	WASHER THRUST10MM	WASHER THRUST10MM	1	
97		90426-KNBN-901	WASHER SPECIAL 12MM	WASHER SPECIAL 12MM	1	
91		90451-GBN2-601	WASHER KICK SPINDLE	WASHER KICK SPINDLE	1	
98		94001-12280-0S	NUT HEX 12MM	NUT HEX 12MM	1	
92		94511-14000	CIRCLIP EX 14	CIRCLIP EX 14	1	



Sales mark	Ref no	Part no	Description	Reg description	Regd no	E07
117		22100-GAR1-751	CLUTCH OUTER	CLUTCH OUTER	1	
118		22300-KXCX-900	PLATE ASSY DRIVE	PLATE ASSY DRIVE	1	
119		22350-GKAK-930	PLATE COMP DRIVE	PLATE COMP DRIVE	1	
120		22401-GBG2-900	SPRING CLUTCH	SPRING CLUTCH	3	
121		22530-GKAK-930	WEIGHT CLUTCH	WEIGHT CLUTCH	3	
122		22804-1H48-001	RUBBER CLUTCH DUMPER	RUBBER CLUTCH DUMPER	3	
A		2301A-KEB7-220	PULLEY SUB ASSY	PULLEY SUB ASSY	1	
141		23100-KEB7-900	BELT DRIVE	BELT DRIVE	1	
125		23200-GAR1-220	FACE ASSY DRIVEN	FACE ASSY DRIVEN	1	
130		23220-GKAK-220	FACE COMP MOVABLE DRIVEN	FACE COMP MOVABLE DRIVEN	1	
131		23225-GAR1-751	PIN GUIDE	PIN GUIDE	3	
132		23233-GHE8-001	SPG DRIVEN FACE	SPG DRIVEN FACE	1	
133		23237-GAR1-220	COLLAR SEAL	COLLAR SEAL	1	
134		23238-GFY6-941	COLLAR SPG	COLLAR SPG	1	
135		90202-1G87-001	NUT SPECIAL 28MM	NUT SPECIAL 28MM	1	
123		90442-0D44-001	6M/M THRUST WASHER	6M/M THRUST WASHER	3	
124		90454-GBB2-001	CIRCLIP 6MM	CIRCLIP 6MM	3	
128		91001-GGA7-70A	BRG RADIAL BALL 6901U	BRG RADIAL BALL 6901U	1	
127		91103-GAR1-004	BRG NEEDLE 17*25*18 WS	BRG NEEDLE 17*25*18 WS	1	
127A		91103-GAR1-00A	BRG NEEDLE 17*25*18 WS	BRG NEEDLE 17*25*18 WS	1	

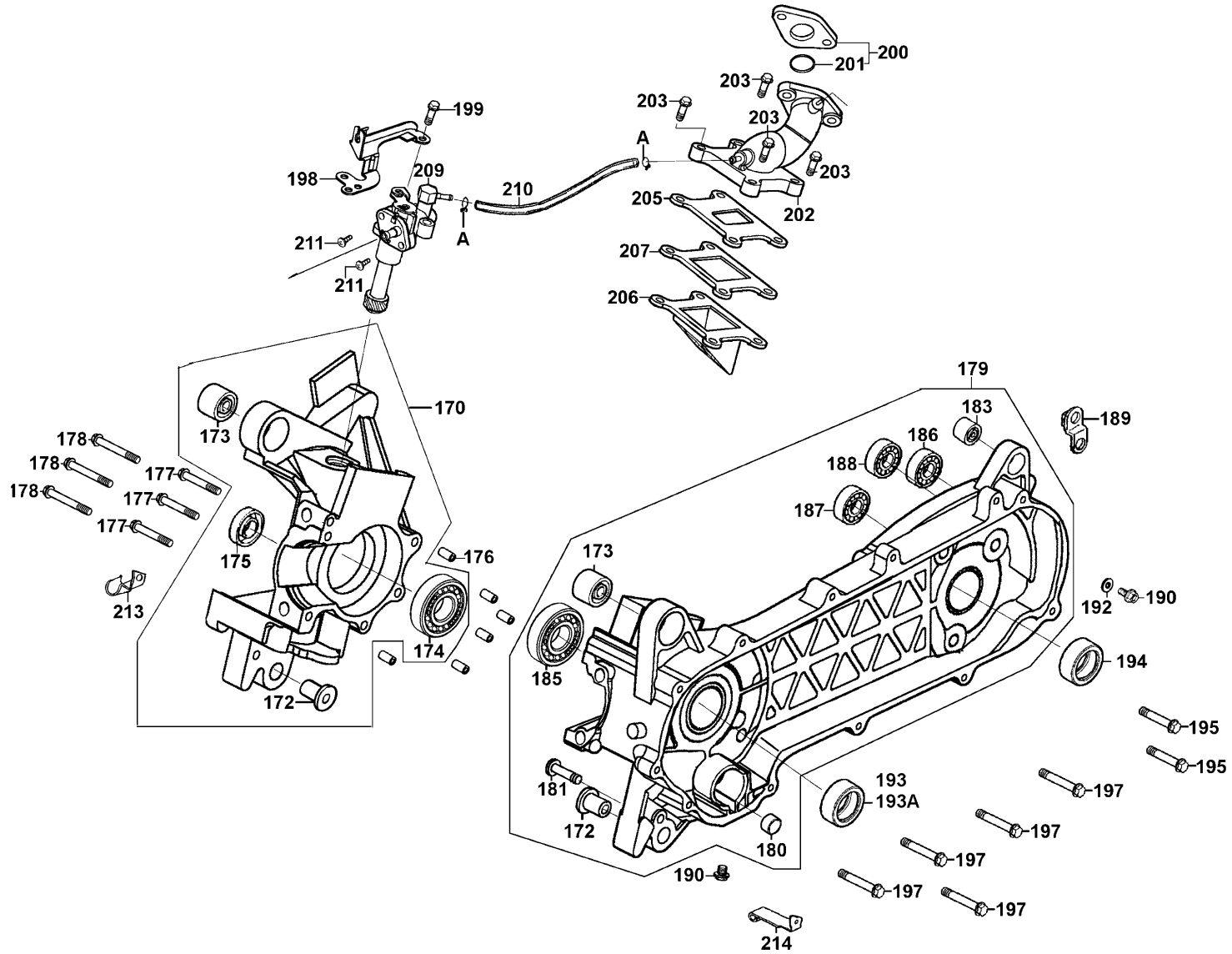


Sales mark	Ref no	Part no	Description	Reg description	Regd no	E07
136		91211-GHK8-014	OIL SEAL 34*39*3	OIL SEAL 34*39*3	2	
137		91301-KEA5-742	O-RING 36*1.5	O-RING 36*1.5	1	
138		91302-PKA9-004	O-RING 39.8*2.2	O-RING 39.8*2.2	1	
140		94050-10080	NUT FLANGE 10MM	NUT FLANGE 10MM	1	
129		94520-24000	CIR CLIP IN 24	CIR CLIP IN 24	1	

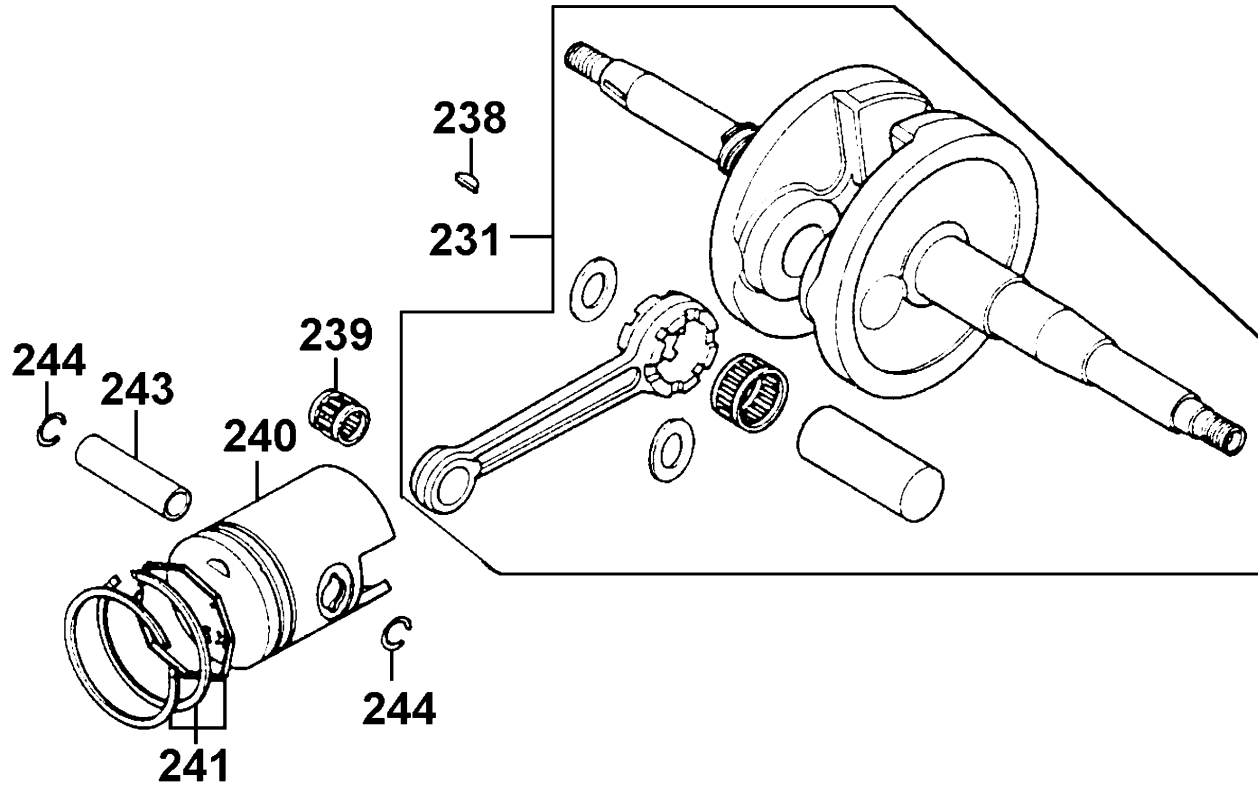


Sales mark	Ref no	Part no	Description	Reg description	Regd no	E08
A		11203-KHG8-301	PIN BRAKE SHOE ANCHOR	PIN BRAKE SHOE ANCHOR	1	
151		21200-GKAK-305	CASE ASSY MISSION	CASE ASSY MISSION	1	
164		21395-KNBN-901	GASKET MISSION CASE A	GASKET MISSION CASE A	1	
165		23411-KEB7-900	SHAFT DRIVE	SHAFT DRIVE	1	
156		23420-KEB7-900	SHAFT COMP COUNTER	SHAFT COMP COUNTER	1	
160		23431-KNBN-901	SHAFT FINAL	SHAFT FINAL	1	
162		23432-KEB7-900	GEAR FINAL	GEAR FINAL	1	
153		90309-KLF0-004-SY	NUT FLANGE 8MM	NUT FLANGE 8MM	1	
159		90429-KNBN-901	WASHER SIDE 12MM	WASHER SIDE 12MM	1	
155		91004-KBN2-90A	BRG BALL RADIAL 6201	BRG BALL RADIAL 6201	2	
154		91009-GLE0-004	BRG BALL RADIAL 6004 UU	BRG BALL RADIAL 6004 UU	1	
163		91255-GLE0-006	OIL SEAL 27*42*7	OIL SEAL 27*42*7	1	
B		91301-0C53-001	O RING 7.5*1.5	O RING 7.5*1.5	1	
161		94510-20000	CIR CLIP EX 20	CIR CLIP EX 20	1	

Sales mark	Ref no	Part no	Description	Reg description	Regd no	E09
170		11100-KGB5-305	CRANK CASE SET RIGHT	CRANK CASE SET RIGHT	1	
173		11102-1G87-004	RUB BUSH ENG HANGER	RUB BUSH ENG HANGER	1	
179		11200-KEB7-325	CRANK CASE SET LEFT	CRANK CASE SET LEFT	1	
183		11203-GGC7-301	UNDER RUBBER BUSH REAR CUSHION	UNDER RUBBER BUSH REAR CUSHION	1	
181		11204-KEB7-900	PIN SPG HOOK	PIN SPG HOOK	1	
180		11205-GHAH-004	BUSH 8*12*8	BUSH 8*12*8	1	
172		11205-KED5-900	BUSH M STAND	BUSH M STAND	1	
189		11206-KEB7-900	STAY RR FENDER	STAY RR FENDER	1	
213		11208-GKAK-901	CLAMPER CARB DRAIN	CLAMPER CARB DRAIN	1	
214		11208-KEB7-900	CLAMPER BRAKE WIRE	CLAMPER BRAKE WIRE	1	
207		14100-KEB7-900	VALVE COMP REED	VALVE COMP REED	1	
209		15100-KEB7-E00	PUMP ASSY OIL	PUMP ASSY OIL	1	
198		15110-KEB7-900	PLATE OIL PUMP SET	PLATE OIL PUMP SET	1	
210		1552A-KEB7-901	TUBE ASSY OIL PASS	TUBE ASSY OIL PASS	1	
200		1621A-GKAK-901	INSULATOR CARB ASSY	INSULATOR CARB ASSY	1	
202		17100-KEB7-E00	PIPE COMP INLET	PIPE COMP INLET	1	
205		17111-KEB7-900	GASKET INLET PIPE A	GASKET INLET PIPE A	1	
206		17112-KEB7-900	GASKET INLET PIPE B	GASKET INLET PIPE B	1	
192		90474-3C33-001	WASHER 8MM	WASHER 8MM	1	
174		91001-GLW0-90A	BRG BALL RADIAL 6204 SPECIAL	BRG BALL RADIAL 6204 SPECIAL	1	



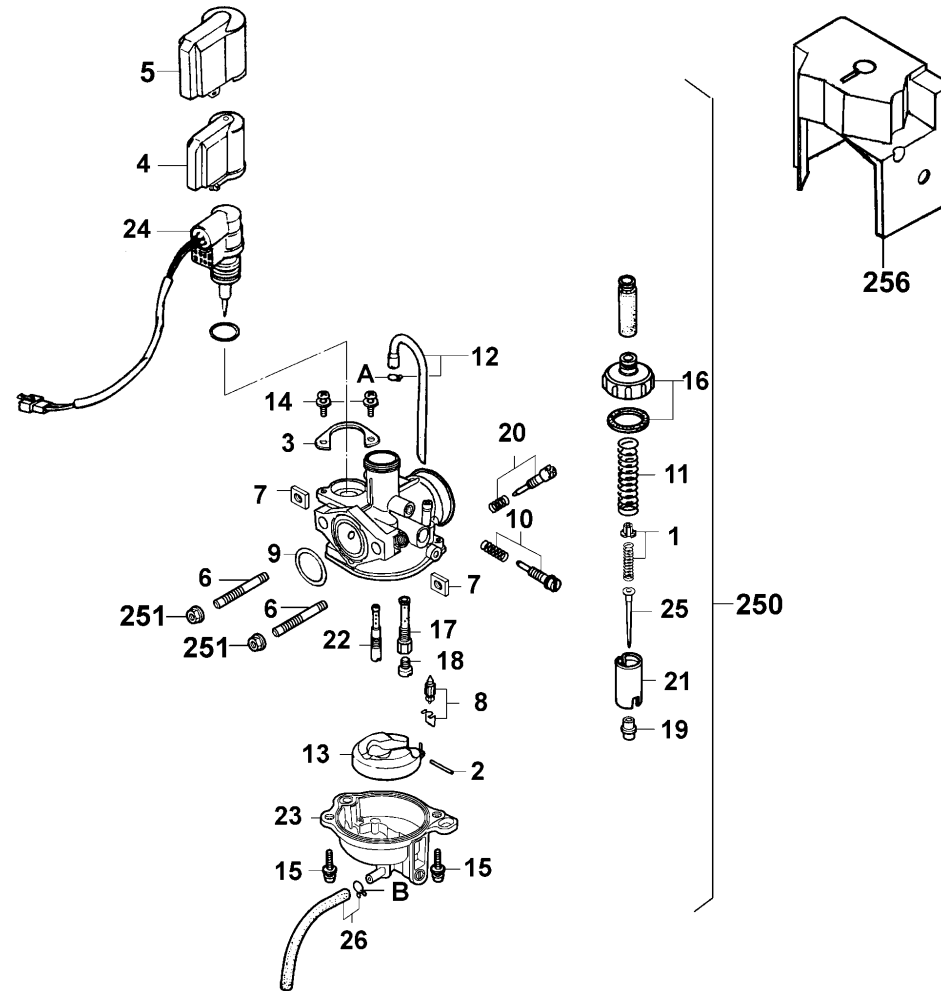
Sales mark	Ref no	Part no	Description	Reg description	Regd no	E09
188		91004-KBN2-90A	BRG BALL RADIAL 6201	BRG BALL RADIAL 6201	1	
187		91004-KNBN-92A	BRG BALL RADIAL 6203 SPC 17*40*12	BRG BALL RADIAL 6203 SPC 17*40*12	1	
185		91006-KNBN-901	BRG BALL RADIAL 25*56*12	BRG BALL RADIAL 25*56*12	1	
175		91201-KNBN-92A	OIL SEAL 15.6*25.5*7	OIL SEAL 15.6*25.5*7	1	
193		91202-KNBN-92A	OIL SEAL 20*31*7	OIL SEAL 20*31*7	1	
193A		91202-KNBN-92B	OIL SEAL 20*31*7	OIL SEAL 20*31*7	1	
194		91204-KNBN-90A	OIL SEAL 17*30*6	OIL SEAL 17*30*6	1	
201		91304-GLB0-911	O RING 20.6*1.9	O RING 20.6*1.9	1	
211		93500-05012-0H	SCREW PAN 5*12	SCREW PAN 5*12	2	
176		94301-10200	DOWEL PIN 10*20	DOWEL PIN 10*20	6	
A		95002-02650	CLIP B6.5 TUBE	CLIP B6.5 TUBE	2	
190		95701-08012-08	BOLT FLANGE 8*12	BOLT FLANGE 8*12	1	
197		95701-08040-08	BOLT FLANGE 8*40	BOLT FLANGE 8*40	5	
195		95801-08035-08	BOLT FLANGE 8*35	BOLT FLANGE 8*35	2	
203		96001-06025-08	BOLT FLANGE SH 6*25	BOLT FLANGE SH 6*25	4	
199		96001-06032-08	BOLT FLANGE SH 6*32	BOLT FLANGE SH 6*32	1	
177		96001-06045-08	BOLT FLANGE SH 6*45	BOLT FLANGE SH 6*45	3	
178		96001-06055-08	BOLT FLANGE SH 6*55	BOLT FLANGE SH 6*55	3	
186		96100-62033-00	BEARING BALL RADIAL 6203	BEARING BALL RADIAL 6203	1	



Sales mark	Ref no	Part no	Description	Reg description	Regd no	E10
	231	13000-GKAK-921	CRANK SHAFT COMP	CRANK SHAFT COMP	1	
	241	13011-GLW0-90A	PISTON RING SET	PISTON RING SET	1	
	240	13101-GLW0-901	PISTON	PISTON	1	
	243	13111-1F66-001	PIN PISTON	PIN PISTON	1	
	244	13115-1F56-001	CLIP PISTON PIN 12MM	CLIP PISTON PIN 12MM	2	
	238	90741-0E35-001	KEY WOODRUFF	KEY WOODRUFF	1	
	239	91102-GLW0-009	BRG CON-ROD S. E.	BRG CON-ROD S. E.	1	

E11

Carburetor

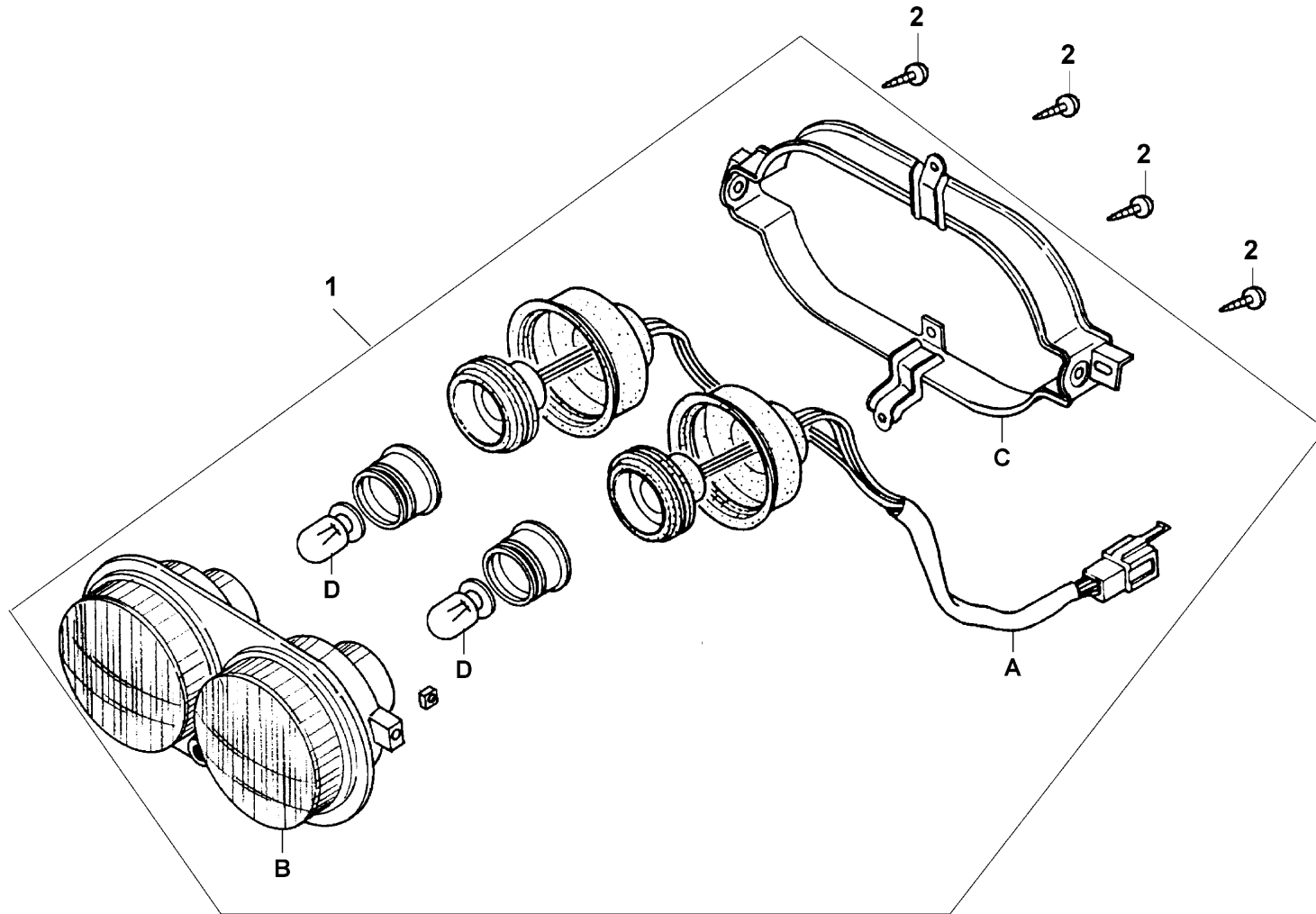


Sales mark	Ref no	Part no	Description	Reg description	Regd no	E11
22		1001-GC8H-0351	SLOW JET	SLOW JET	1	
19		1010-GAKH-9200	NEEDLE JET	NEEDLE JET	1	
21		1020-GAKH-9300	THROTTLE VALVE	THROTTLE VALVE	1	
16		103J-073H-9900-SB0	TOP SET	TOP SET	1	
13		105B-KBNH-9000	FLOAT COMP	FLOAT COMP	1	
11		1300-GW0H-9000-K	SPG COMPR	SPG COMPR	1	
250		1610K-KEB7-B20	CARBURETOR ASSY	CARBURETOR ASSY	1	
2		16152-KG8-9010-M1	ARM PIN	ARM PIN	1	
256		16620-KEB7-E00	CAP CARBURETOR	CAP CARBURETOR	1	
3		1703-GJ2H-0040	SET PLATE	SET PLATE	1	
4		1738-GJ2H-0040	HOLDER CAP	HOLDER CAP	1	
12		1785-KBNH-9000-SB0	TUBE SET (A.V)	TUBE SET (A.V)	1	
9		1787-KG8H-9010	O-RING	O-RING	1	
7		1793-144H-9900	HEX NUT	HEX NUT	2	
6		1799-KBNH-9000	STUD BOLT	STUD BOLT	2	
24		4000-077-0000	AUTO BYSTARTER SET	AUTO BYSTARTER SET	1	
14		93892-04008-18	SCREW WASHER	SCREW WASHER	2	
15		93892-04014-18-3	SCREW WASHER 4*14	SCREW WASHER 4*14	2	
251		94050-06080	NUT FLANGE 6MM	NUT FLANGE 6MM	2	
A		95002-02070	CLIP B7 TUBE	CLIP B7 TUBE	1	

Sales mark	Ref no	Part no	Description	Reg description	Regd no	E11
B		95002-02080	CLIP B8 TUBE	CLIP B8 TUBE	1	
18		99101-116-0850	MAIN JET #85	MAIN JET #85	1	
23		K350-KEB-0500	FLOAT CHAMBER SET	FLOAT CHAMBER SET	1	
5		K378-001	CAP ASSY	CAP ASSY	1	
1		K506-GW0-0100	VALVE PLATE SET	VALVE PLATE SET	1	
26		K785-KEB-0300	TUBE SET (DRAIN)	TUBE SET (DRAIN)	1	
17		N413-32A00	NEEDLE JET HOLDER	NEEDLE JET HOLDER	1	
25		N425-2RFMK	JET NEEDLE COMP	JET NEEDLE COMP	1	
8		S3620-031-B000	FLOAT VALVE SET	FLOAT VALVE SET	1	
20		S4460-213-B001	SCREW SET	SCREW SET	1	
10		S536-1241	SCREW SET	SCREW SET	1	

F01

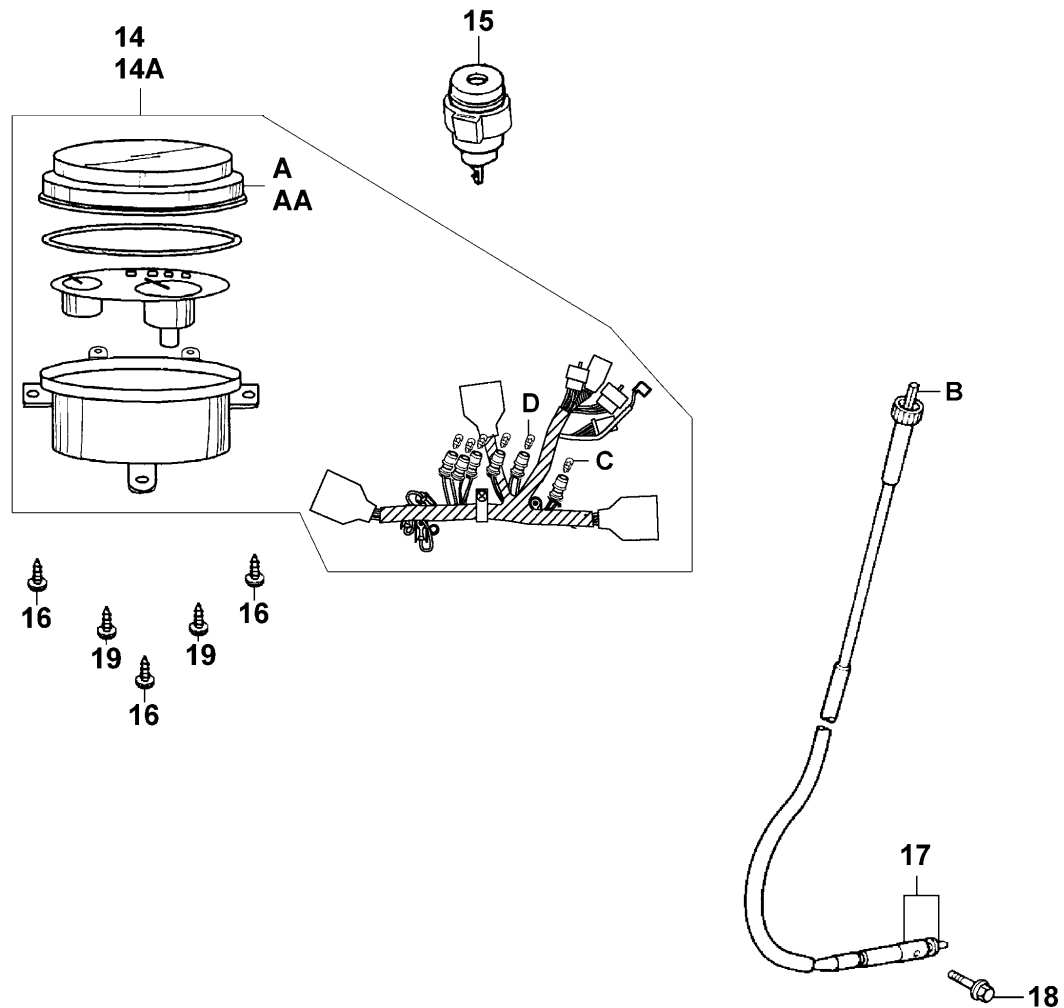
Head Light



Sales mark	Ref no	Part no	Description	Reg description	Regd no	F01
1		33100-KEB7-E00	LIGHT ASSY HEAD	LIGHT ASSY HEAD	1	
B		33120-KEB7-E00	UNIT HEAD LIGHT	UNIT HEAD LIGHT	1	
C		33121-KEB7-900	STAY MOUNT	STAY MOUNT	1	
A		33130-KEB7-E00	SOCKET COMP	SOCKET COMP	1	
D		34901-KEB7-E00	BULB HEAD LIGHT	BULB HEAD LIGHT	2	
2		93903-45360	SCREW TAPPING 5*16	SCREW TAPPING 5*16	4	

F02

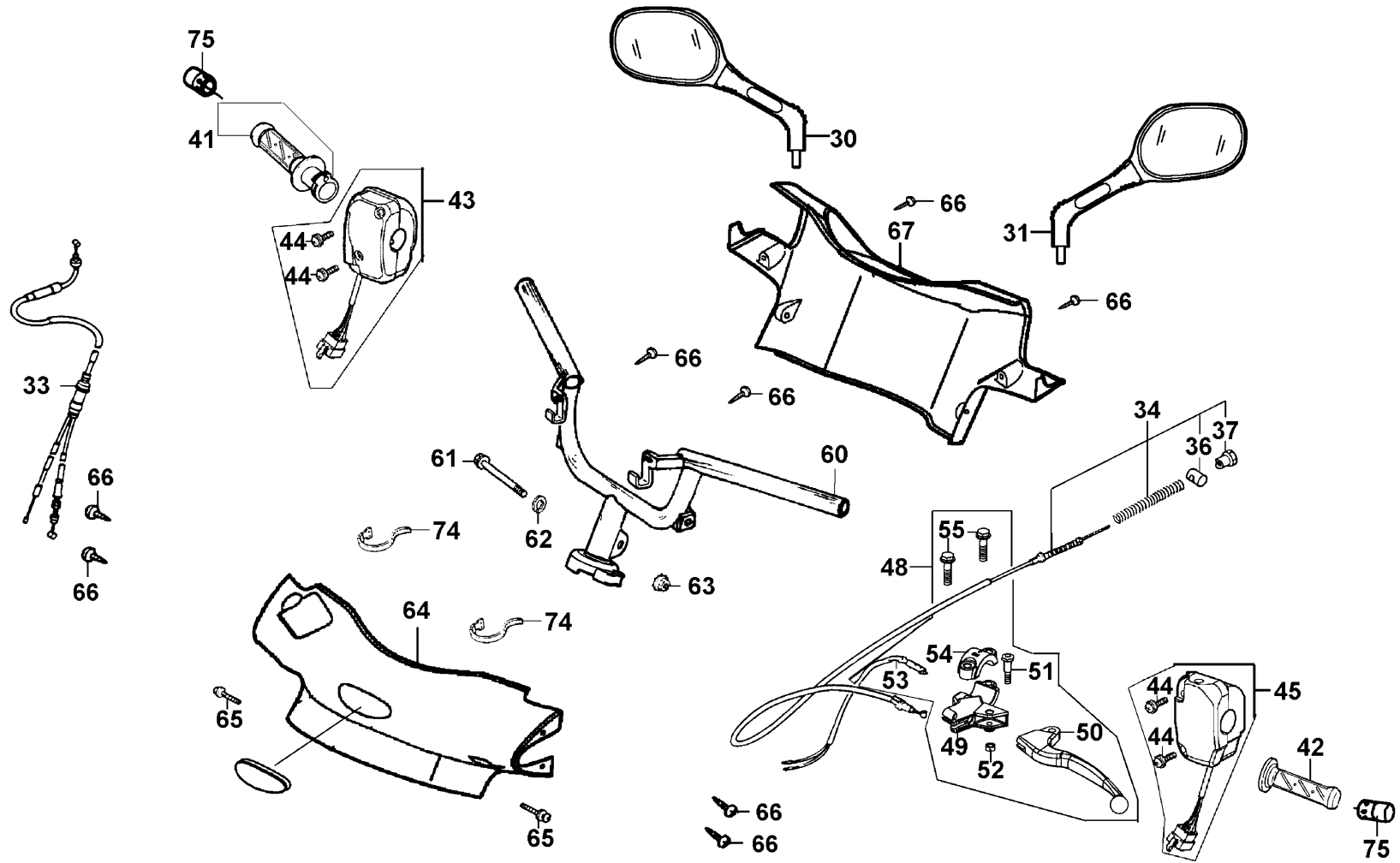
Speedometer



Sales mark	Ref no	Part no	Description	Reg description	Regd no	F02
C		34903-KALA-900	BULB POSITION	BULB POSITION	1	
D		34908-MKB9-87A	BULB WEDGE BASE	BULB WEDGE BASE	5	
14		37200-KEB7-E1A	METER ASSY SPEED	METER ASSY SPEED	1	
14A		37200-KEB7-E1B	METER ASSY SPEED	METER ASSY SPEED	1	
A		37211-KEB7-90A	LENS	LENS	1	
AA		37211-KEB7-90B	LENS	LENS	1	
15		38300-KEB7-900	RELAY ASSY WINKER	RELAY ASSY WINKER	1	
17		44830-KEB7-800	CABLE COMP SPDMT	CABLE COMP SPDMT	1	
B		44831-KEB7-800	INNER CABLE	INNER CABLE	1	
18		93700-05018-0H	SCREW OVAL 5*18	SCREW OVAL 5*18	1	
19		93903-34360	SCREW TAPPING 4*12	SCREW TAPPING 4*12	2	
16		93903-35320	SCREW TAPPING 5*16	SCREW TAPPING 5*16	3	

F03

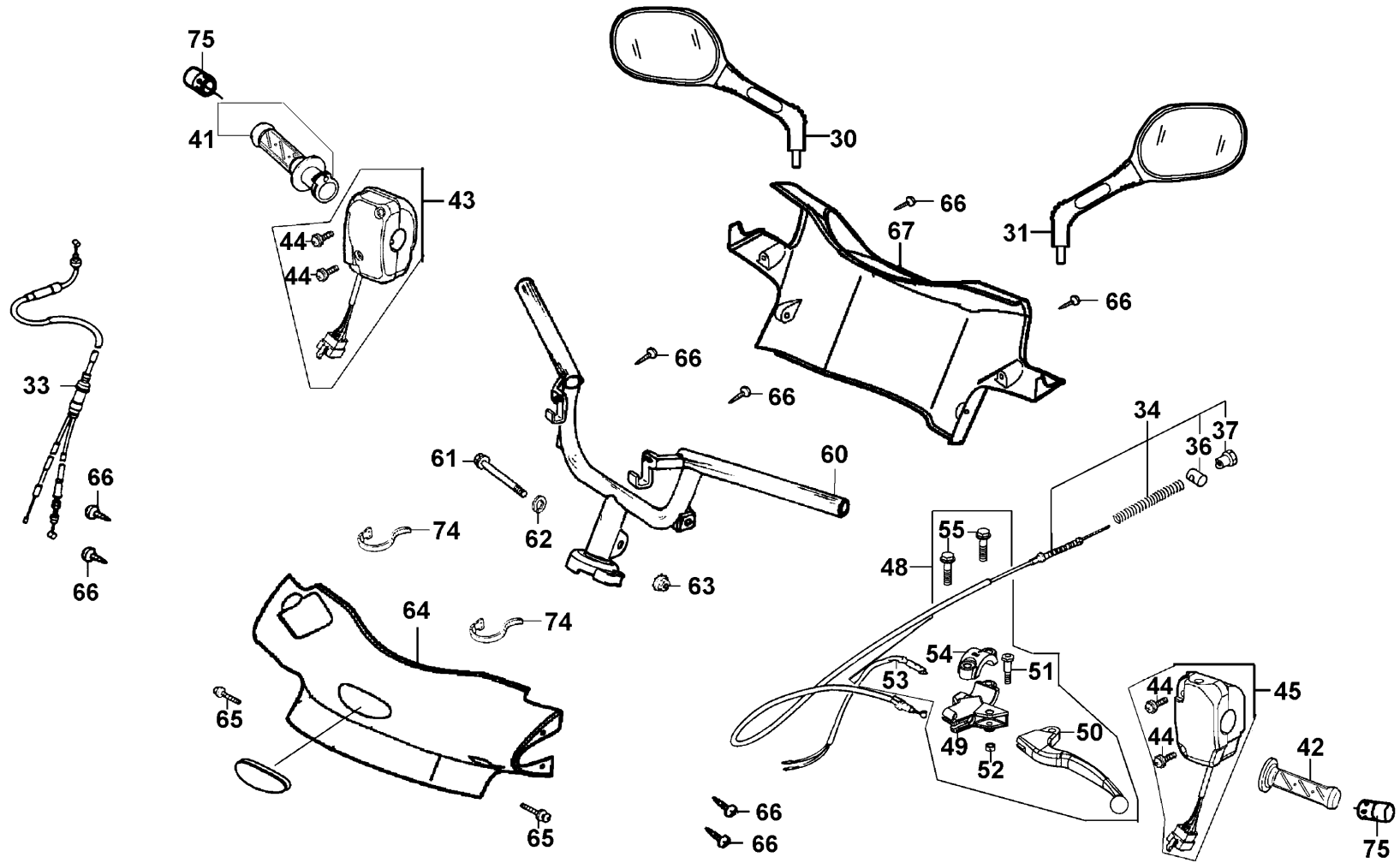
Handle SteeringHandle Cover



Sales mark	Ref no	Part no	Description	Reg description	Regd no	F03
	33	17910-KEB7-900	CABLE COMP THROT	CABLE COMP THROT	1	
	43	3515A-KGBG-E00	SW ASSY RH HNDL COMP	SW ASSY RH HNDL COMP	1	
	45	3520A-KGBG-E00	SW ASSY LH HNDL COMP	SW ASSY LH HNDL COMP	1	
	53	35340-KKJ9-010	SW ASSY FR STOP	SW ASSY FR STOP	1	
	34	43450-KEB7-900	CABLE COMP RR BRK	CABLE COMP RR BRK	1	
	54	45517-GFY6-900	HOLDER HNDL BRKT	HOLDER HNDL BRKT	1	
	60	53100-KEB7-900	HANDLE COMP STRG	HANDLE COMP STRG	1	
	75	53105-KNBN-910	END STRG HANDLE	END STRG HANDLE	2	
**	41	53140-KNBN-960	GRIP COMP THROT	GRIP COMP THROT	1	
**	42	53166-KNBN-911	GRIP L HANDLE	GRIP L HANDLE	1	
	49	53172-KTCT-900	BRKT HANDLE L	BRKT HANDLE L	1	
**	50	53178-GKAK-901	LEVER L STRG HANDLE	LEVER L STRG HANDLE	1	
	48	5317B-KEB7-900	BRKT ASSY HANDLE LH	BRKT ASSY HANDLE LH	1	
**	64	53205-KEB7-800	COVER FR HANDLE	COVER FR HANDLE	1	
**	67	53206-KEB7-900	COVER RR HANDLE	COVER RR HANDLE	1	
	30	88110-KEB7-E00	MIRROR ASSY R BACK	MIRROR ASSY R BACK	1	
	31	88120-KEB7-E00	MIRROR ASSY L BACK	MIRROR ASSY L BACK	1	
	65	90110-KEB7-900	SCREW SPECIAL 6*14	SCREW SPECIAL 6*14	2	
	51	90115-GLE0-001	BOLT HNDL LEVER PIVOT	BOLT HNDL LEVER PIVOT	1	
	63	90304-GHE8-004	NUT U 10MM	NUT U 10MM	1	

F03

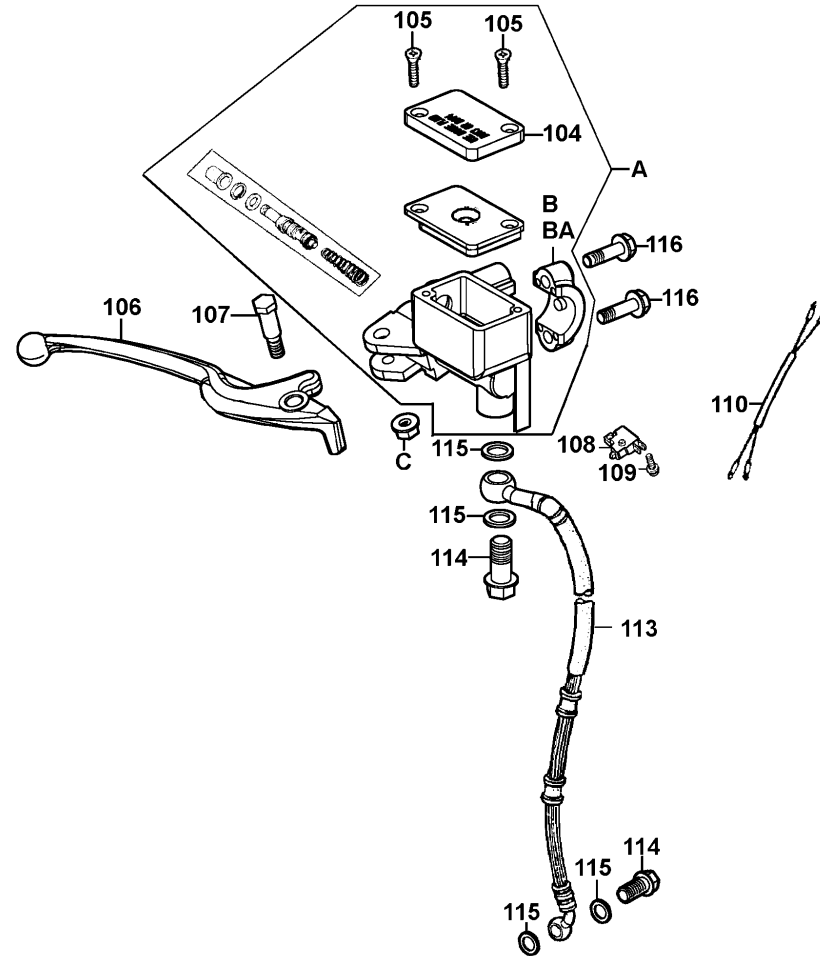
Handle SteeringHandle Cover



Sales mark	Ref no	Part no	Description	Reg description	Regd no	F03
74		90656-GFY6-911	BAND OIL HOSE	BAND OIL HOSE	2	
44		93500-KGBG-900	SCREW TAPPING M 5*25L	SCREW TAPPING M 5*25L	2	
66		93903-34360	SCREW TAPPING 4*12	SCREW TAPPING 4*12	2	
52		94001-05080-0S	NUT HEX 5MM	NUT HEX 5MM	1	
62		94101-10800	WASHER PLAIN 10MM	WASHER PLAIN 10MM	1	
36		95015-32001	JOINT B BRAKE ARM	JOINT B BRAKE ARM	1	
37		95015-42000	NUT B ADJUST	NUT B ADJUST	1	
55		95701-06025-08	BOLT FLANGE 6*25	BOLT FLANGE 6*25	2	
61		95801-10040-08	BOLT FLANGE 10*40	BOLT FLANGE 10*40	1	

F04

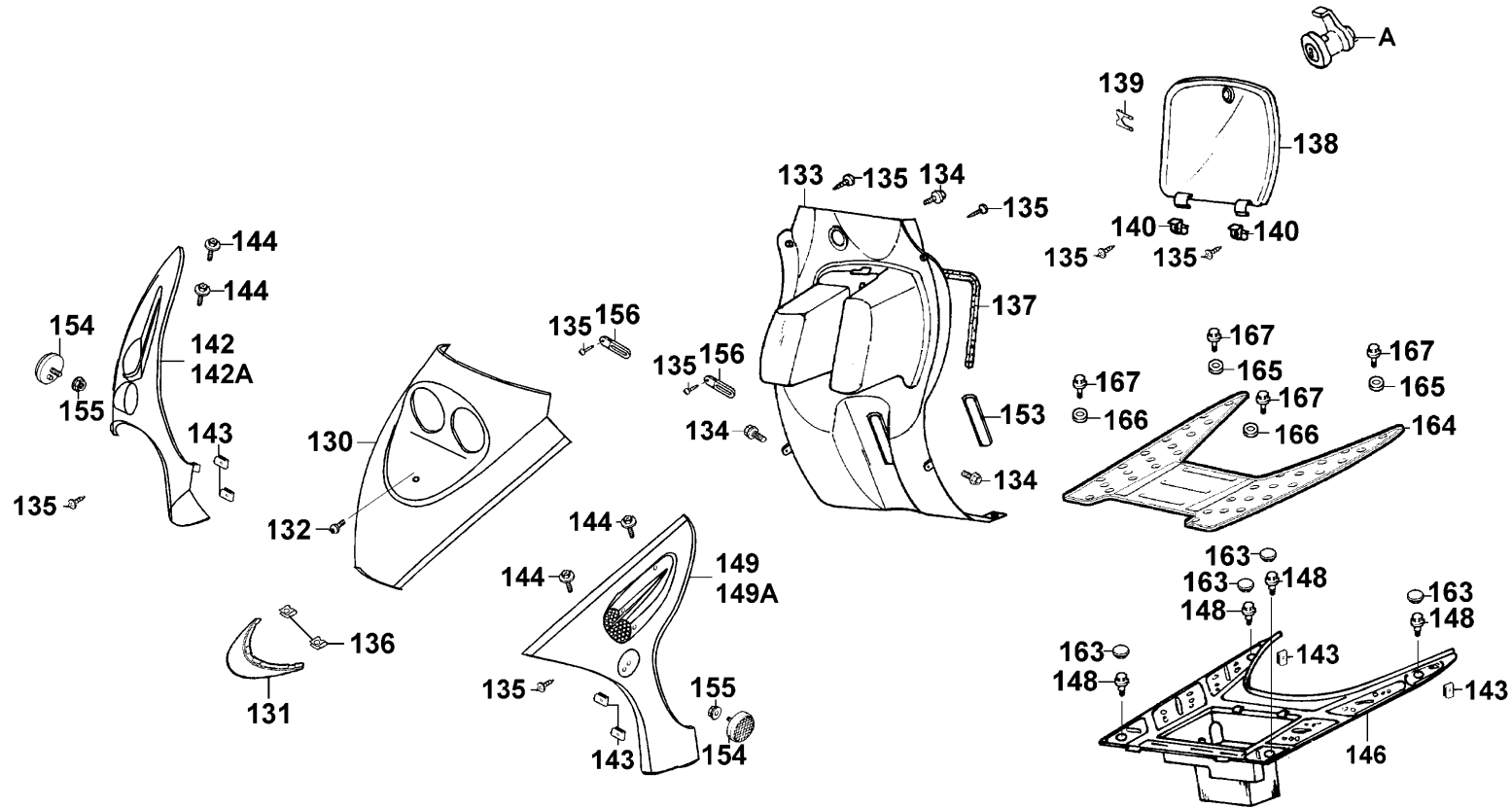
Brake Master Cylinder



Sales mark	Ref no	Part no	Description	Reg description	Regd no	F04
	110	32101-GFY6-901	SUB CORD R/H	SUB CORD R/H	1	
	108	35340-KNBN-901	SW ASSY FR STOP	SW ASSY FR STOP	1	
	113	45126-KEB7-900	HOSE ASSY FR BRK	HOSE ASSY FR BRK	1	
	104	45513-KCCC-900	CAP M/C	CAP M/C	1	
	B	45517-KFAF-900	HOLDER M/C	HOLDER M/C	1	
	BA	45517-KFAF-910	HOLDER M/C	HOLDER M/C	1	
	A	45530-KEB7-306	CYLINDER SET MASTER	CYLINDER SET MASTER	1	
**	106	53175-KTCT-900	LEVER R STRG HNDL	LEVER R STRG HNDL	1	
	107	90114-1F66-007	BOLT HANDLE LEVER	BOLT HANDLE LEVER	1	
	114	90145-MKS9-61A	OIL BOLT 10*22	OIL BOLT 10*22	2	
	115	90545-3L00-001	WASHER OIL BOLT	WASHER OIL BOLT	4	
	105	93600-04012-1G	SCREW FLAT 4*12	SCREW FLAT 4*12	2	
	109	93893-04012-18	SCREW WASHER 4*12	SCREW WASHER 4*12	1	
	C	94050-06080	NUT FLANGE 6MM	NUT FLANGE 6MM	1	
	116	95701-06022-06	BOLT FLANGE 6*22	BOLT FLANGE 6*22	2	

F05

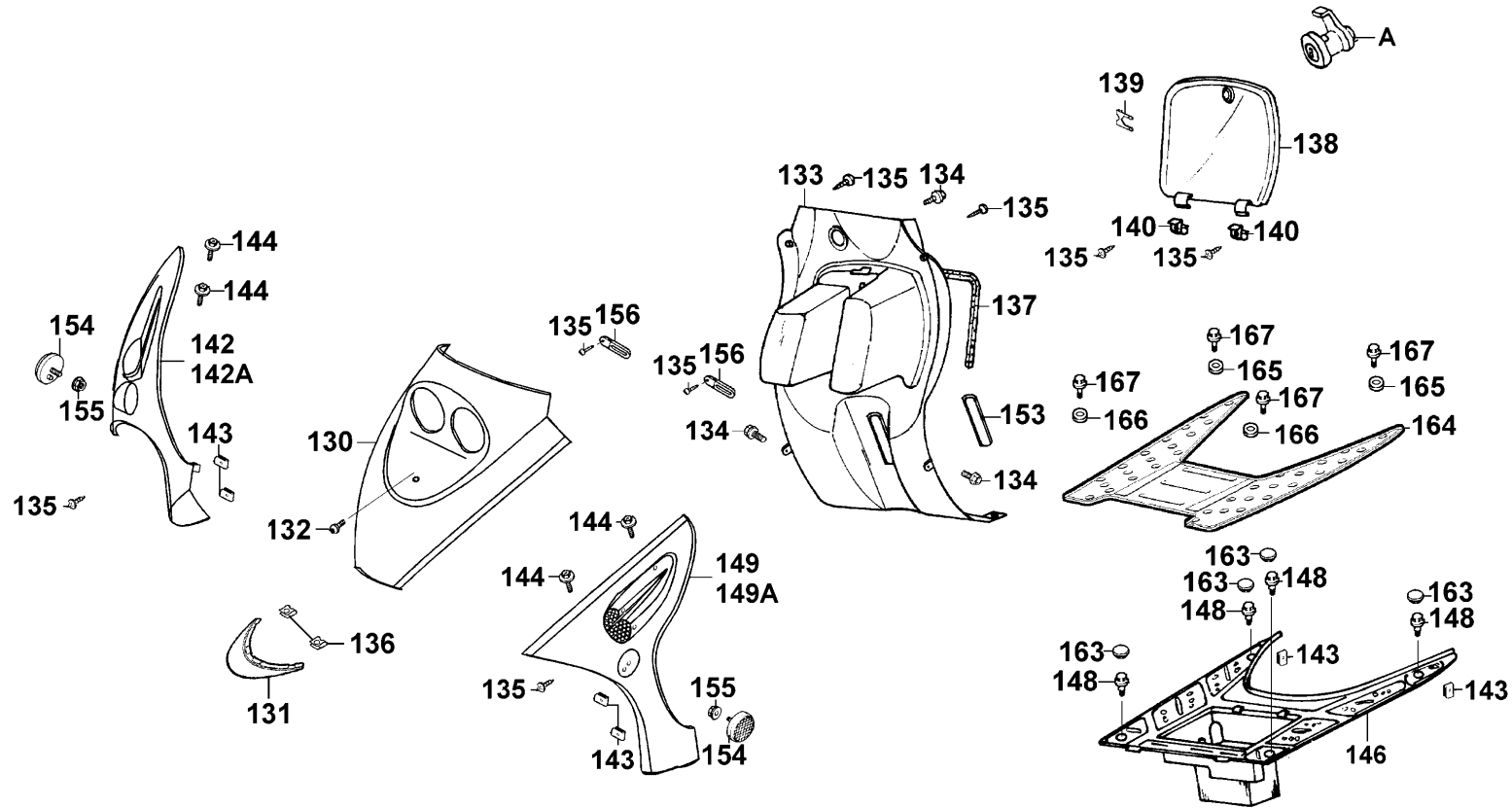
Front CoverFloor Panel



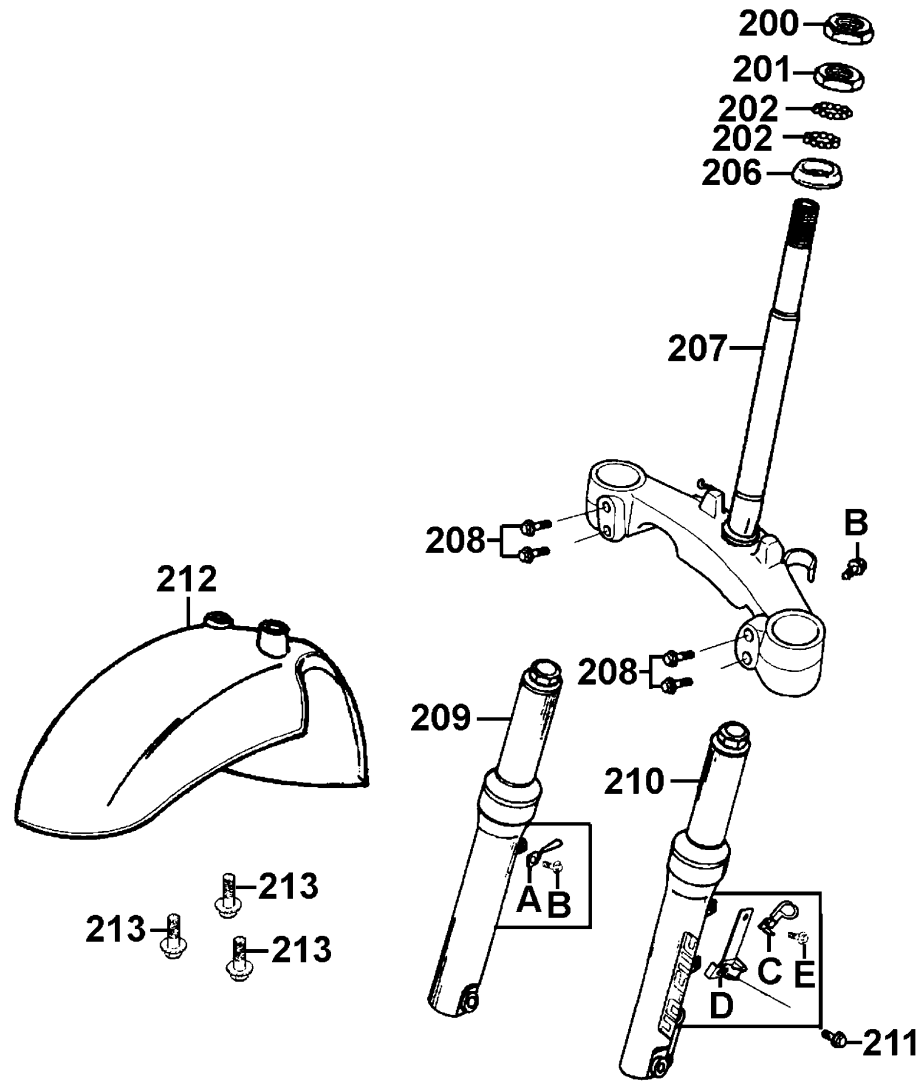
Sales mark	Ref no	Part no	Description	Reg description	Regd no	F05
	154	33741-GFY6-C30	REFLEX REFLECTOR	REFLEX REFLECTOR	2	
**	130	64301-KEB7-800	COVER FRONT	COVER FRONT	1	
**	131	64302-KEB7-900	SPOILER FRONT	SPOILER FRONT	1	
	136	64303-KEB7-900	CLIP SPOILER	CLIP SPOILER	2	
**	142A	64304-KEB7-E00	COVER R SIDE	COVER R SIDE	1	
**	149A	64305-KEB7-E00	COVER L SIDE	COVER L SIDE	1	
**	146	64310-KEB7-900	FLOOR PANEL	FLOOR PANEL	1	
	164	64312-KEB7-E00	COVER FLOOR	COVER FLOOR	1	
	165	64313-KEB7-E00	COLLAR FR FLOOR	COLLAR FR FLOOR	2	
	166	64314-KEB7-E00	COLLAR RR FLOOR	COLLAR RR FLOOR	2	
**	163	64316-KEB7-900	PLUG FLOOR PANEL	PLUG FLOOR PANEL	4	
	139	75581-6C73-001	SET SPG LOCK KEY	SET SPG LOCK KEY	1	
	A	77232-GLW0-315-M2	LOCK SET FUEL LID	LOCK SET FUEL LID	1	
**	133	81131-KEB7-900	LEG SHIELD	LEG SHIELD	1	
**	153	81132-KEB7-900	LID LEG SHIELD	LID LEG SHIELD	1	
**	138	81141-KEB7-900	LID INNER BOX	LID INNER BOX	1	
	140	81142-KACA-900	STAY INNER BOX LID	STAY INNER BOX LID	2	
	137	81146-GBN2-001	SEAL RUBBER A	SEAL RUBBER A	1	
	132	90110-KEB7-900	SCREW SPECIAL 6*14	SCREW SPECIAL 6*14	1	
	144	90302-GFY6-901	BOLT WASH 5*12	BOLT WASH 5*12	2	

F05

Front CoverFloor Panel



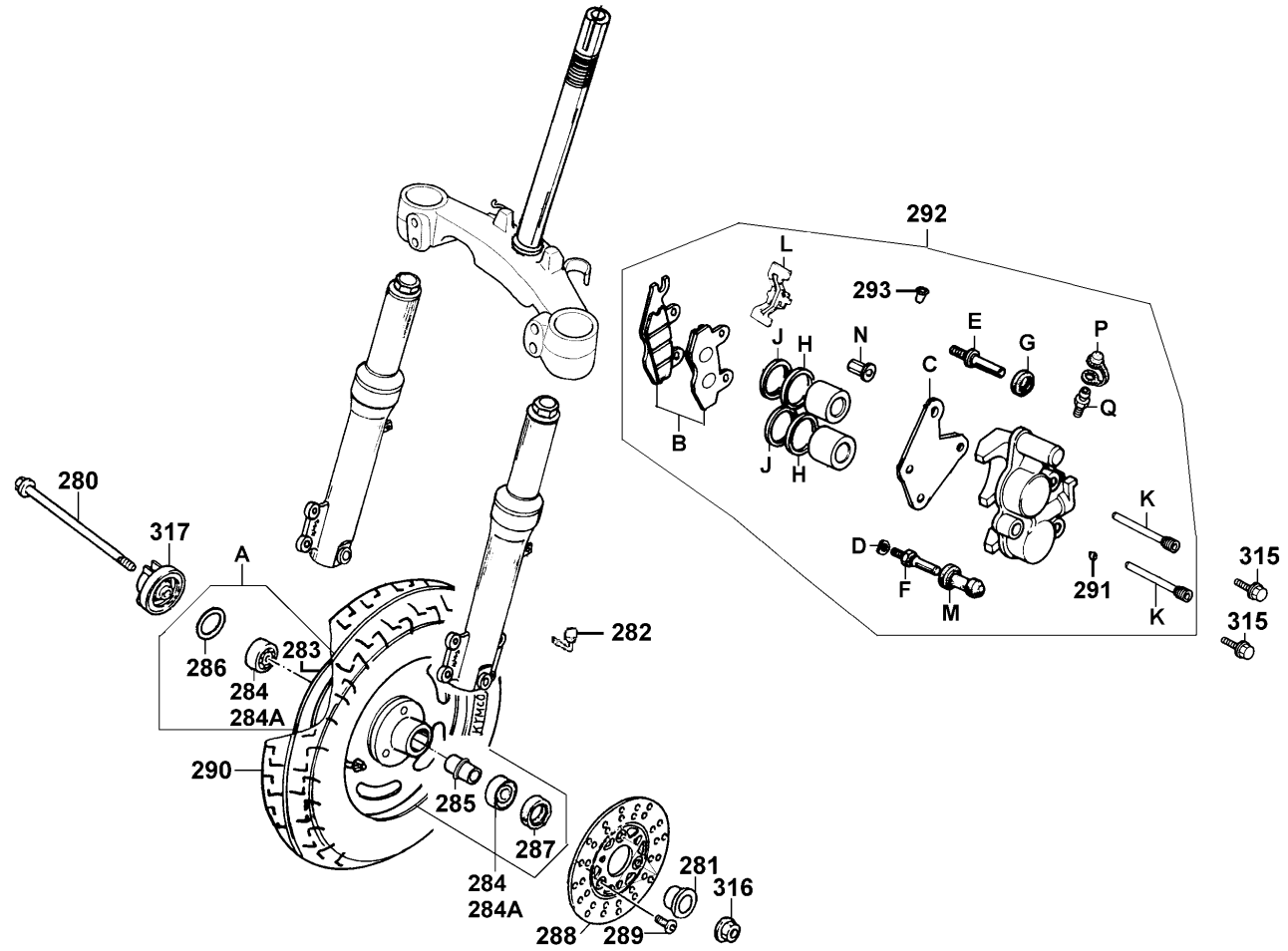
Sales mark	Ref no	Part no	Description	Reg description	Regd no	F05
143		90302-SDA4-004	NUT SPRING 4MM	NUT SPRING 4MM	2	
134		93404-06012-06	BOLT WASH 6*12	BOLT WASH 6*12	1	
148		93404-06020-06	BOLT WASH 6*20	BOLT WASH 6*20	4	
135		93903-34360	SCREW TAPPING 4*12	SCREW TAPPING 4*12	2	
155		94050-06080	NUT FLANGE 6MM	NUT FLANGE 6MM	2	
156		94591-21000	CLIP 2*100	CLIP 2*100	2	
167		95701-06028-08	BOLT FLANGE 6*28	BOLT FLANGE 6*28	4	



Sales mark	Ref no	Part no	Description	Reg description	Regd no	F06
C		45128-KEB7-900	CLAMPER FR BRAKE HOSE	CLAMPER FR BRAKE HOSE	1	
A		45156-KDLD-901	CLAMPER FR BRAKE HOSE	CLAMPER FR BRAKE HOSE	1	
D		45465-KEB7-E00	GUIDE HOSE BRAKE FR	GUIDE HOSE BRAKE FR	1	
200		50306-1F96-001	NUT STRG STEM LOCK	NUT STRG STEM LOCK	1	
**	209	5140A-KEB7-810	FORK SET R FR	FORK SET R FR	1	
**	210	5150A-KEB7-810	FORK SET L FR	FORK SET L FR	1	
	207	53200-KEB7-E00	STEM COMP STRG	STEM COMP STRG	1	
	201	53211-GFY6-940	RACE STRG TOP CONE	RACE STRG TOP CONE	1	
	206	53212-GHC8-004	RACE (STRG BOTTOM) CONE	RACE (STRG BOTTOM) CONE	1	
**	212	61110-KEB7-800	FENDER FR	FENDER FR	1	
	213	90110-KEB7-900	SCREW SPECIAL 6*14	SCREW SPECIAL 6*14	3	
B		95701-06012-08	BOLT FLANGE 6*12	BOLT FLANGE 6*12	2	
E		95701-06016-08	BOLT FLANGE 6*16	BOLT FLANGE 6*16	1	
208		95801-08040-08	BOLT FLANGE 8*40	BOLT FLANGE 8*40	4	
202		96211-05000	BALL STEEL 5	BALL STEEL 5	26	

F07

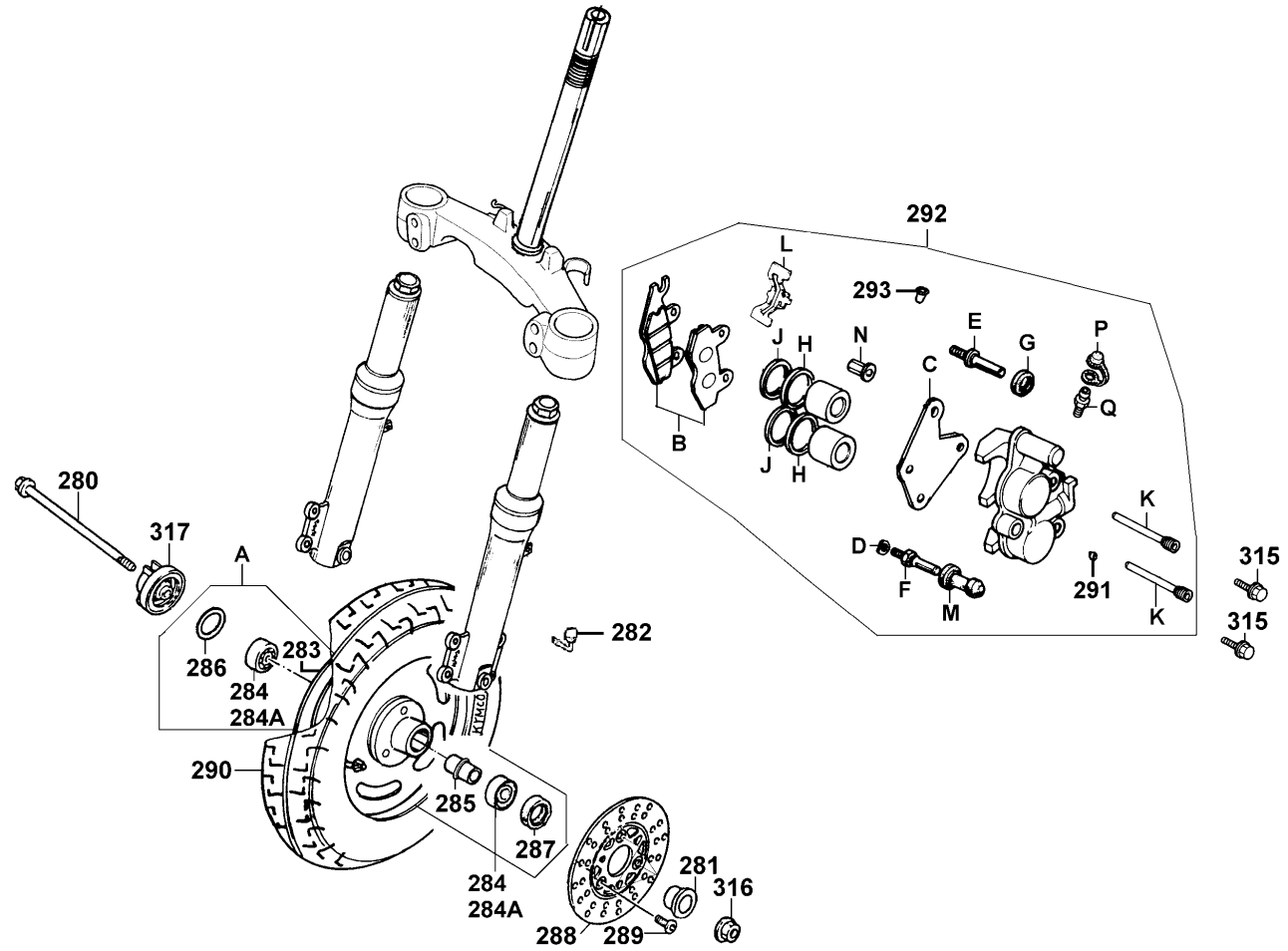
Front Wheel



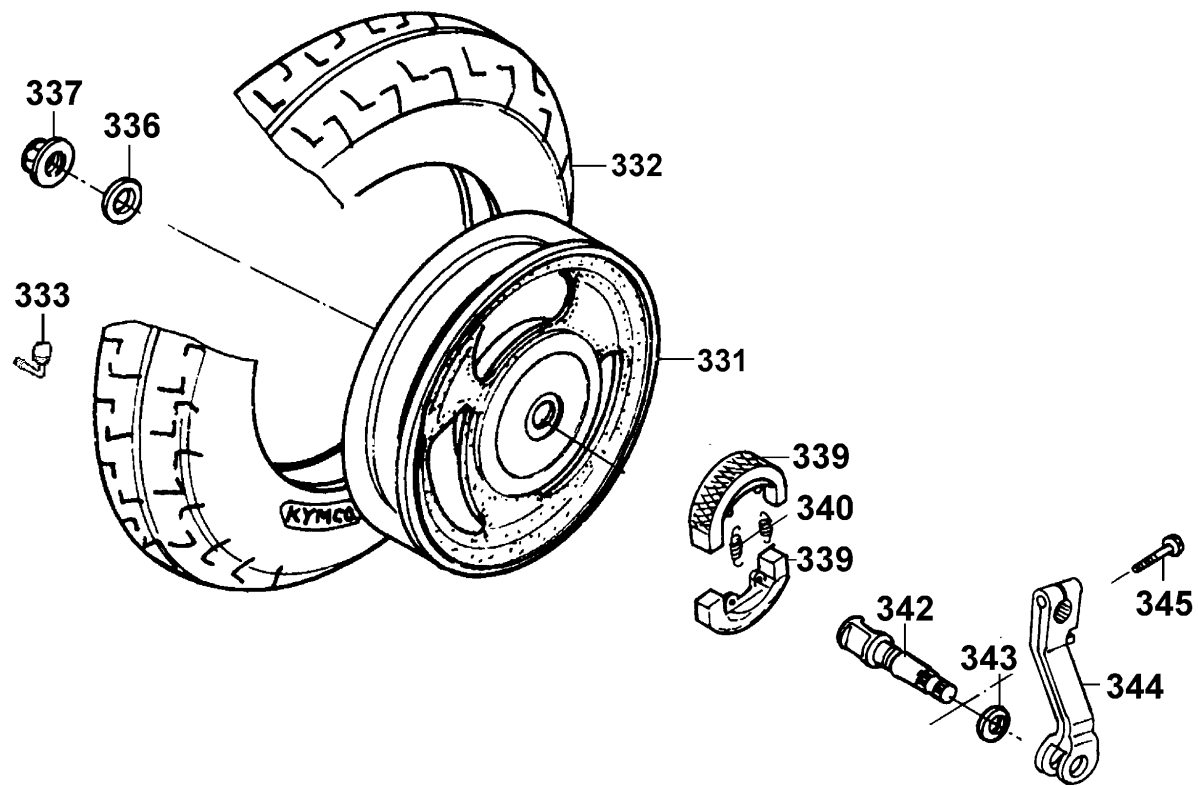
Sales mark	Ref no	Part no	Description	Reg description	Regd no	F07
	282	42753-KXCX-900	VALVE (PVR-70B) & CAP	VALVE (PVR-70B) & CAP	1	
	L	43108-KFS6-07A	SPRING PAD	SPRING PAD	1	
	J	43109-MCA3-007	DUST SEAL	DUST SEAL	2	
	H	43209-MCA3-007	SEAL PISTON	SEAL PISTON	2	
	Q	43352-5H68-004	SCREW BLEEDER	SCREW BLEEDER	1	
	P	43353-4A61-77A	CAP BLEEDER	CAP BLEEDER	1	
	281	44311-GLW0-911	COLLAR FR WHEEL SIDE	COLLAR FR WHEEL SIDE	1	
**	283	44601-KEB7-E10	WHEEL FR CAST	WHEEL FR CAST	1	
	285	44620-KEB7-E00	COLLAR FR DIST	COLLAR FR DIST	1	
**	A	44650-KEB7-315	WHEEL SET FR	WHEEL SET FR	1	
	290	44710-KEB7-E1A	TIRE ASSY FR	TIRE ASSY FR	1	
	317	44800-KXCX-E00	GEAR BOX ASSY SPDMT	GEAR BOX ASSY SPDMT	1	
**	292	45100-KXCX-E00	CALIPER ASSY FR L	CALIPER ASSY FR L	1	
	B	45105-KXCX-E05	PAD ASSY	PAD ASSY	1	
	C	45110-KXCX-E00	BRACKET COMP FR CALIPER	BRACKET COMP FR CALIPER	1	
	288	45121-KECE-900	DISK FR BRK	DISK FR BRK	1	
	F	45131-1F66-017	PIN BOLT	PIN BOLT	1	
	E	45131-HEA5-67A	PIN BOLT A	PIN BOLT A	1	
	M	45132-1F66-017	BUSH BOOT PIN	BUSH BOOT PIN	1	
	G	45133-MCA3-007	BOOT B	BOOT B	1	

F07

Front Wheel



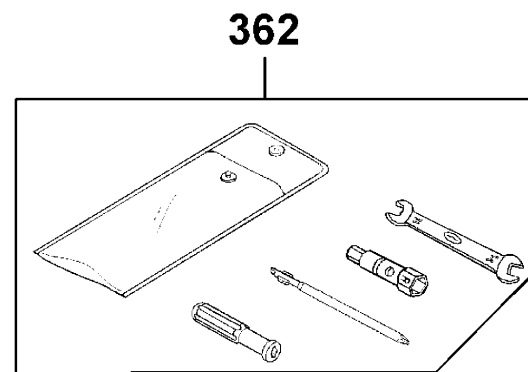
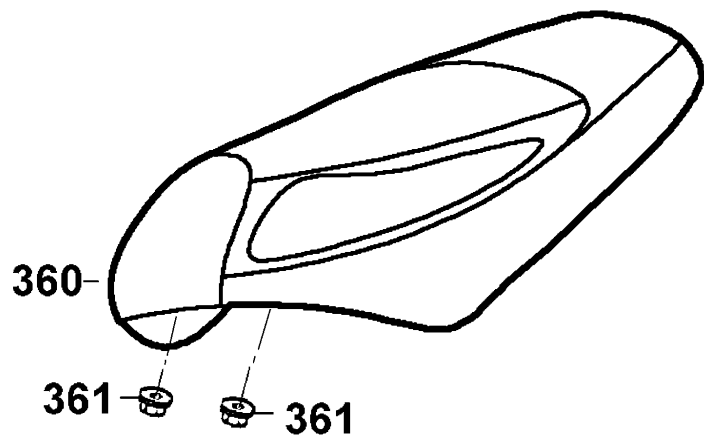
Sales mark	Ref no	Part no	Description	Reg description	Regd no	F07
291		45203-MCG3-007	PLUG PIN	PLUG PIN	1	
K		45215-KCA3-73A	PIN HANGER	PIN HANGER	2	
D		45216-1F66-007	WASHER WAVE	WASHER WAVE	1	
N		45216-KFW6-90A	TORQUE NUT	TORQUE NUT	1	
293		45531-GAR1-951	PLUG	PLUG	1	
289		90105-KCR3-001	BOLT FR DISK 8*24	BOLT FR DISK 8*24	3	
280		90121-KBE2-981	BOLT RR FORK PIVOT	BOLT RR FORK PIVOT	1	
315		90131-GLW0-911	BOLT FLANGE 8*35	BOLT FLANGE 8*35	2	
316		90306-GLW0-90A	NUT FLANGE 12MM	NUT FLANGE 12MM	1	
286		90754-GHC8-00A	SEAL DUST 20*32*5	SEAL DUST 20*32*5	1	
284		90912-GHC8-00A	BEARING 6201	BEARING 6201	2	
284A		90912-GHC8-00D	BEARING 6201	BEARING 6201	2	
287		91258-KAM1-00A	SEAL SPDMT GEAR BOX	SEAL SPDMT GEAR BOX	1	



Sales mark	Ref no	Part no	Description	Reg description	Regd no	F08
**	331	42601-KEB7-E0E	WHEEL COMP RR CAST	WHEEL COMP RR CAST	1	
	332	42710-KEB7-E1A	TIRE ASSY RR	TIRE ASSY RR	1	
	333	42753-KNBN-90B	VALAE RIM (TR412)	VALAE RIM (TR412)	1	
	339	43120-GBW2-90A	SHOE COMP RR BRK	SHOE COMP RR BRK	2	
	342	43141-GKAK-901	CAM RR BRAKE	CAM RR BRAKE	1	
	344	43410-KEB7-900	ARM COMP RR BRAKE	ARM COMP RR BRAKE	1	
	340	45133-0H28-001	SPRING BRAKE SHOE	SPRING BRAKE SHOE	2	
	337	90305-KNBN-90B	NUT U 16MM	NUT U 16MM	1	
	336	90501-KNBN-901	WASHER 16MM	WASHER 16MM	1	
	343	91352-KHG8-83B	O-RING 11.3*1.3	O-RING 11.3*1.3	1	
	345	95701-06022-08	BOLT FLANGE 6*22	BOLT FLANGE 6*22	1	

F09

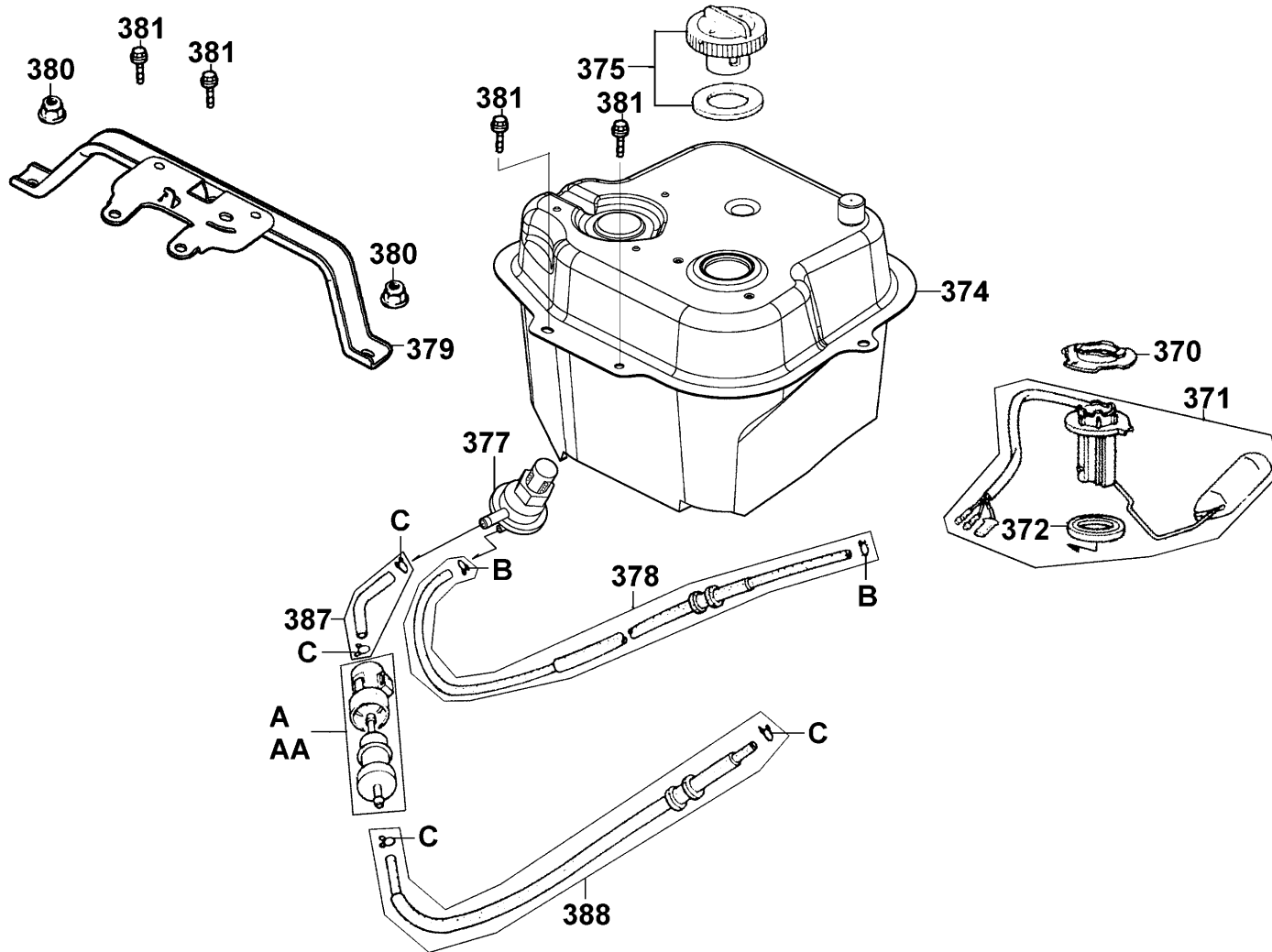
Seat



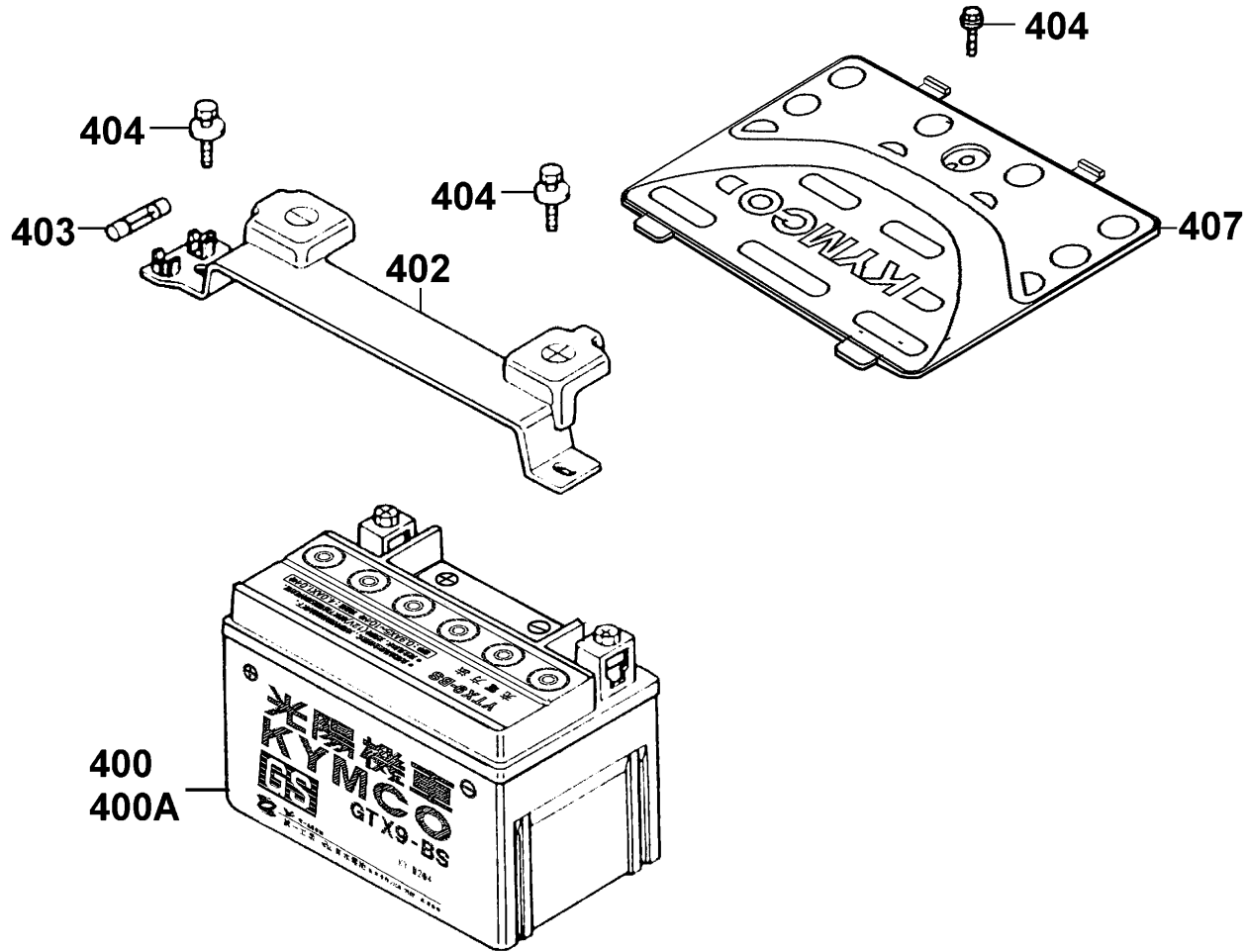
Sales mark	Ref no	Part no	Description	Reg description	Regd no	F09
**	360	77200-KEB7-E00	SEAT COMP	SEAT COMP	1	
	362	89010-KNBN-900	TOOL SET	TOOL SET	1	
	361	94050-06080	NUT FLANGE 6MM	NUT FLANGE 6MM	2	

F10

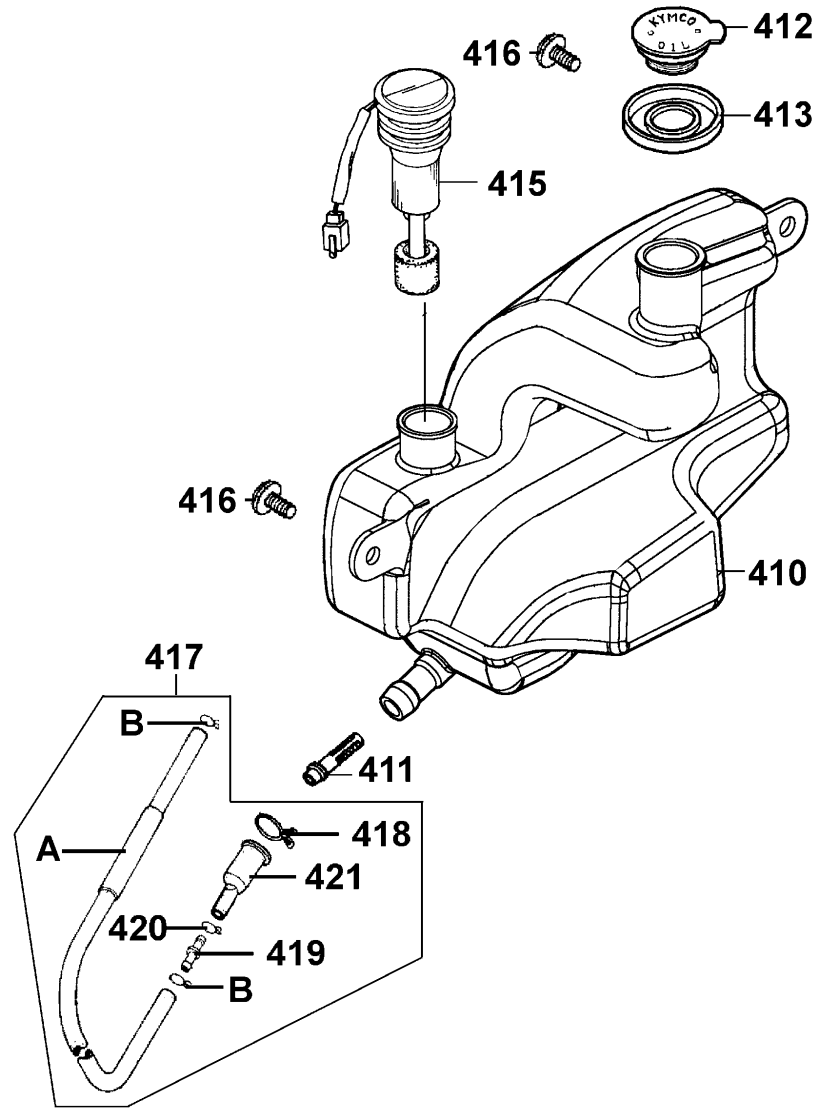
Fuel Tank



Sales mark	Ref no	Part no	Description	Reg description	Regd no	F10
A		1691A-GFY6-90A	STRAINER ASSY FUEL	STRAINER ASSY FUEL	1	
AA		1691A-GFY6-90B	STRAINER ASSY FUEL	STRAINER ASSY FUEL	1	
377		16950-KKJ9-75A	AUTO COCK ASSY FUEL	AUTO COCK ASSY FUEL	1	
374		17500-KEB7-E00	TANK COMP FUEL	TANK COMP FUEL	1	
375		17620-GGS7-67A	CAP COMP FUEL FILLER	CAP COMP FUEL FILLER	1	
372		37801-GGA7-701	PACKING BASE	PACKING BASE	1	
370		37802-GGA7-701	RET FUEL UNIT	RET FUEL UNIT	1	
371		3780A-KEB7-900	FUEL UNIT ASSY	FUEL UNIT ASSY	1	
379		77230-KEB7-E00	STAY ASSY SEAT CATCH	STAY ASSY SEAT CATCH	1	
380		94050-06080	NUT FLANGE 6MM	NUT FLANGE 6MM	2	
B		95002-02070	CLIP B7 TUBE	CLIP B7 TUBE	2	
C		95002-02080	CLIP B8 TUBE	CLIP B8 TUBE	4	
378		9500B-KEB7-E00	TUBE ASSY VACUUM	TUBE ASSY VACUUM	1	
387		9500C-KEB7-900	TUBE ASSY FUEL	TUBE ASSY FUEL	1	
388		9500E-KEB7-900	TUBE ASSY FUEL	TUBE ASSY FUEL	1	
381		95701-06012-08	BOLT FLANGE 6*12	BOLT FLANGE 6*12	4	



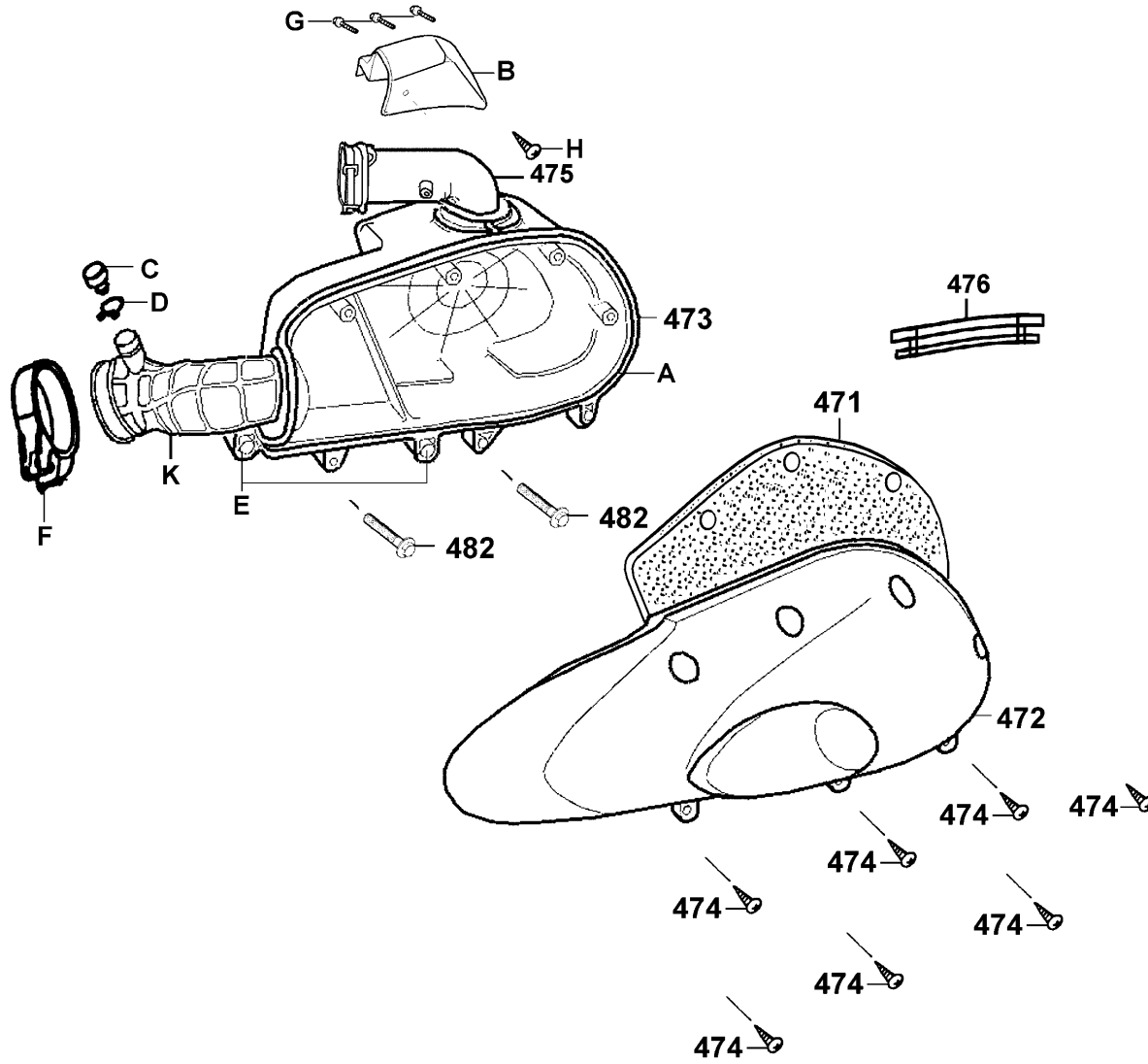
Sales mark	Ref no	Part no	Description	Reg description	Regd no	F11
	400	31500-KNBN-92A	BATTERY YTX5L-BS	BATTERY YTX5L-BS	1	
	400A	31500-KNBN-92B	BATTERY YTX5L-BS	BATTERY YTX5L-BS	1	
**	407	50326-KEB7-900	COVER BATTERY	COVER BATTERY	1	
	402	50328-KKDK-900	BAND BATTERY	BAND BATTERY	1	
	404	90302-GFY6-901	BOLT WASH 5*12	BOLT WASH 5*12	2	
	403	98200-10700	FUSE A7	FUSE A7	1	



Sales mark	Ref no	Part no	Description	Reg description	Regd no	F12
418		15772-5A51-001	CLIP BREATHER TUBE	CLIP BREATHER TUBE	1	
411		17502-1G87-001	OIL STRAINER	OIL STRAINER	1	
415		35410-KEB7-900	SW COMP OIL LEVEL	SW COMP OIL LEVEL	1	
410		55100-KEB7-900	TANK OIL	TANK OIL	1	
419		55102-1F66-001	JOINT OIL TUBE	JOINT OIL TUBE	1	
412		55106-KEB7-900	CAP ASSY OIL	CAP ASSY OIL	1	
413		55121-KEB7-900	RUBBER OIL GUIDE	RUBBER OIL GUIDE	1	
A		55123-KKD6-E00	TUBE 5.3 OIL	TUBE 5.3 OIL	1	
417		55200-KKD6-E00	TUBE ASSY OIL	TUBE ASSY OIL	1	
421		55201-GHC8-001	JOINT OIL STRN	JOINT OIL STRN	1	
416		90302-GFY6-901	BOLT WASH 5*12	BOLT WASH 5*12	2	
B		95002-02100	CLIP B15 TUBE	CLIP B15 TUBE	2	
420		95002-50000	CLIP C9 TUBE	CLIP C9 TUBE	1	

Sales mark	Ref no	Part no	Description	Reg description	Regd no	F13
	434	75581-GHN8-921	SET SPG LOCK KEY	SET SPG LOCK KEY	1	
	A	77106-KEB7-900	HOOK HELMENT	HOOK HELMENT	1	
	B	77225-KEB7-315-M2	LOCK SET SEAT	LOCK SET SEAT	1	
	**	430	7730A-KEB7-E00	CARRIER ASSY	1	
	**	460	80151-KEB7-900	COVER CENTER	1	
	**	458	80153-KEB7-900	COVER PLUG MAINT	1	
		464	81133-KGBG-900	STOPPER LUGGAGE	1	
		465	81134-KGBG-900	HOOK LUGGAGE	1	
		463	81135-KGBG-900	STAY LUGGAGE HOOK	1	
		426	81260-KEB7-E00	BOX ASSY LUGGAGE	1	
	**	438	83500-KEB7-345	COVER SET R BODY	1	
	**	452	83501-KEB7-900	GRILL R BODY COVER	1	
	**	444	83520-KEB7-305	COVER SET R SKIRT	1	
	**	441	83600-KEB7-345	COVER SET L BODY	1	
	**	454	83601-KEB7-900	GRILL L BODY COVER	1	
	**	448	83620-KEB7-305	COVER SET L SKIRT	1	
	**	456	83750-KEB7-900	COVER REAR CENTER	1	
	C	90105-GGS7-001	PIN HINGE	PIN HINGE	1	
		447	90110-KEB7-900	SCREW SPECIAL 6*14	1	
		437	90111-KFW6-001	BOLT FLANGE 6MM	2	

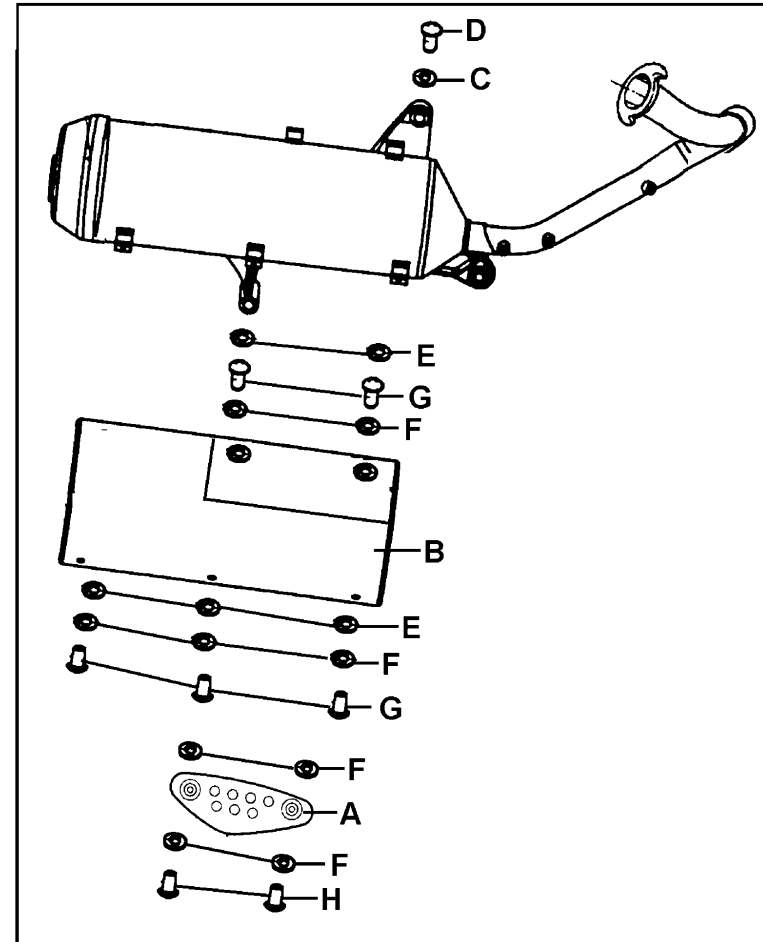
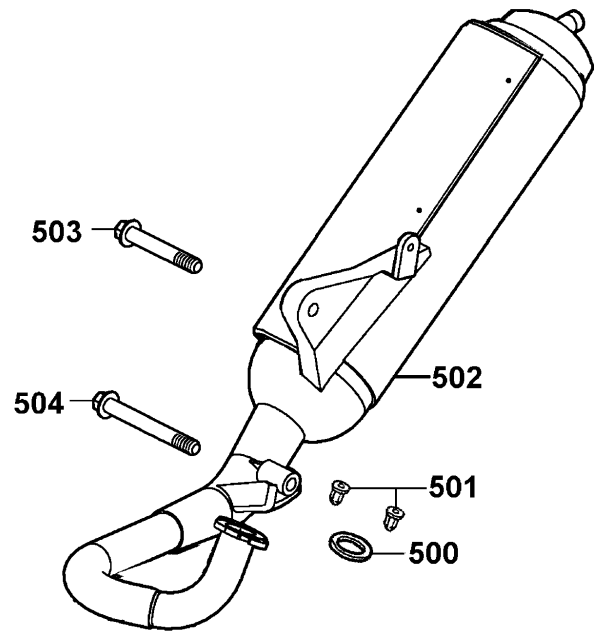
Sales mark	Ref no	Part no	Description	Reg description	Regd no	F13
436		90215-GLM0-910	NUT CAP 6MM	NUT CAP 6MM	2	
459		90302-KED5-900	BOLT PAN 5*11	BOLT PAN 5*11	1	
440		90302-SDA4-004	NUT SPRING 4MM	NUT SPRING 4MM	1	
462		90305-GHK8-001	NUT CLIP 6MM	NUT CLIP 6MM	1	
435		90381-GEZ5-001	SCREW SPECIAL 6*17	SCREW SPECIAL 6*17	1	
461		90677-GAR1-004	NUT CLIP 5MM	NUT CLIP 5MM	1	
439		93903-14360	SCREW TAPPING 4*12	SCREW TAPPING 4*12	1	
445		93903-34360	SCREW TAPPING 4*12	SCREW TAPPING 4*12	1	
446		93903-GFY6-900	SCREW TAPPING 4*14	SCREW TAPPING 4*14	1	
431		95701-08045-06	BOLT FLANGE 6*45	BOLT FLANGE 6*45	3	



Sales mark	Ref no	Part no	Description	Reg description	Regd no	F14
	471	17205-KEB7-900	ELEMENT AIR/C	ELEMENT AIR/C	1	
	473	17206-KEB7-900	CASE AIR/C	CASE AIR/C	1	
	472	17207-KEB7-900	COVER A/C	COVER A/C	1	
	E	17208-KEB7-900	COLLAR AIR/C SET	COLLAR AIR/C SET	2	
	A	17212-KEB7-900	SEAL AIR/C COVER	SEAL AIR/C COVER	1	
	475	17213-KEB7-900	DUCT AIR/C INLET	DUCT AIR/C INLET	1	
	476	17215-KEB7-900	CLIP ASSY AIR/C DUCT	CLIP ASSY AIR/C DUCT	1	
	B	17216-KEB7-900	COVER JOINT	COVER JOINT	1	
	K	17253-KEB7-900	TUBE AIR/C CONN	TUBE AIR/C CONN	1	
	C	17254-KACA-P00	JOINT PURGE TUBE	JOINT PURGE TUBE	1	
	F	90652-GBHB-641	BAND 42 AIR/C CONNECTING TUBE	BAND 42 AIR/C CONNECTING TUBE	1	
	474	93903-25360	SCREW TAPPING 5*16	SCREW TAPPING 5*16	7	
	H	93903-34360	SCREW TAPPING 4*12	SCREW TAPPING 4*12	1	
	G	93903-35080	SCREW TAPPING 5*8	SCREW TAPPING 5*8	3	
	D	95002-02110	CLIP	CLIP	1	
	482	95701-06040-08	BOLT FLANGE 6*40	BOLT FLANGE 6*40	2	

F15

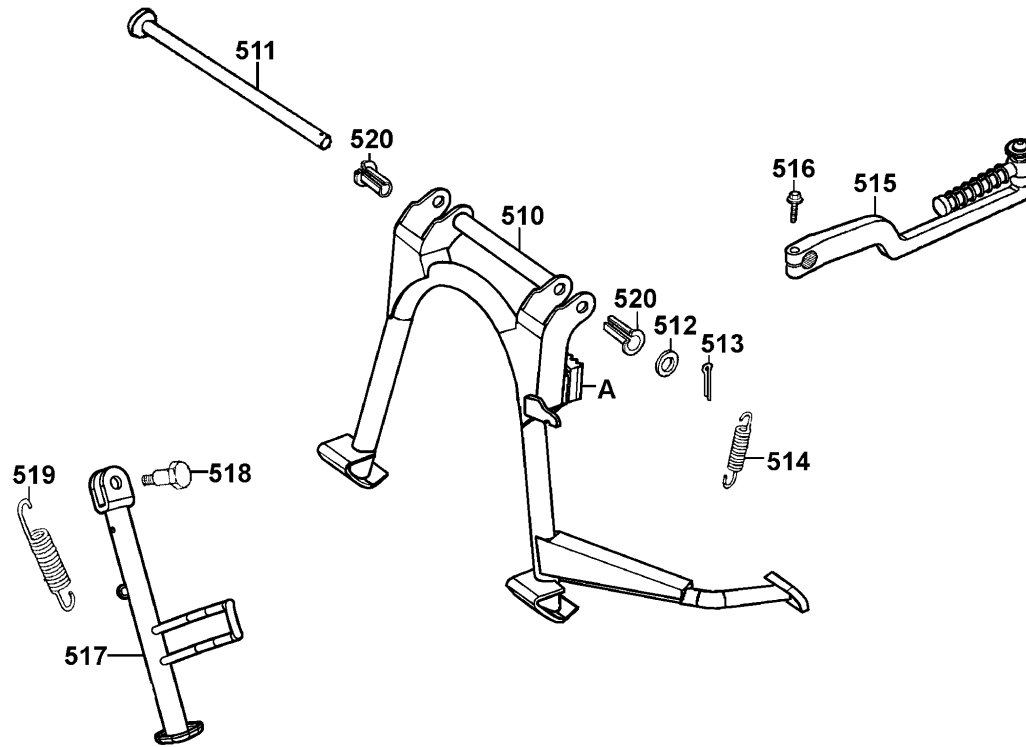
Exhaust Muffler



Sales mark	Ref no	Part no	Description	Reg description	Regd no	F15
	500	18291-LBA7-900	GASKET EXH PIPE	GASKET EXH PIPE	1	
E		18294-KEBE-900	PACKING PROTECTOR	PACKING PROTECTOR	5	
F		18294-KTCT-900	PACKING PROTECTOR	PACKING PROTECTOR	9	
	502	1830A-KEB7-E01	MUFFLER ASSY EXH	MUFFLER ASSY EXH	1	
A		18318-KEB7-900	PROTECTOR MUFFLER	PROTECTOR MUFFLER	1	
B		18319-KEB7-E00	PROTECTOR COMP MUFFLER INNER	PROTECTOR COMP MUFFLER INNER	1	
	501	90301-KGBG-900	NUT CAP 6MM	NUT CAP 6MM	2	
G		93500-KEB7-900	SCREW PAN 6*12	SCREW PAN 6*12	5	
H		93501-KEB7-900	SCREW SPECIAL 6*10	SCREW SPECIAL 6*10	2	
C		94101-06800	WASHER PLAIN 6MM	WASHER PLAIN 6MM	1	
D		95701-06008-06	BOLT FLANGE 6*8	BOLT FLANGE 6*8	1	
	503	95801-08035-06	BOLT FLANGE 8*35	BOLT FLANGE 8*35	1	
	504	95801-08050-06	BOLT FLANGE 8*50	BOLT FLANGE 8*50	1	

F16

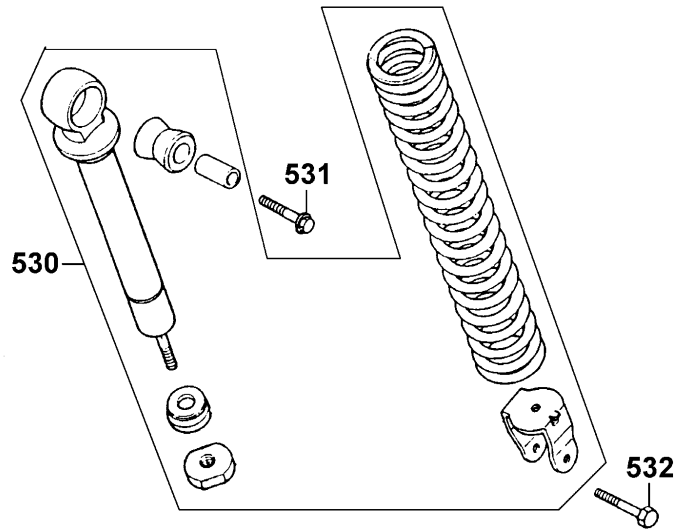
StandKick Starter Arm



Sales mark	Ref no	Part no	Description	Reg description	Regd no	F16
515		28300-KNBN-901	ARM ASSY KICK STARTER	ARM ASSY KICK STARTER	1	
511		50503-KEB7-900	SHAFT MAIN STAND	SHAFT MAIN STAND	1	
A		50505-KEBE-900	STOPPER RUBBER	STOPPER RUBBER	1	
510		5050A-KEB7-900	STAND ASSY MAIN	STAND ASSY MAIN	1	
520		50527-KED5-900	BUSH OILES	BUSH OILES	2	
517		50530-KEB7-E00	BAR SIDE STAND	BAR SIDE STAND	1	
519		50535-KEB7-E00	SPRING COMP SIDE STAND	SPRING COMP SIDE STAND	1	
514		50550-KEB7-E00	SPG ASSY MAIN STAND	SPG ASSY MAIN STAND	1	
518		90108-KEB7-E00	SCREW SIDE STAND PIVOT	SCREW SIDE STAND PIVOT	1	
512		94101-08600	WASHER PLAIN 8MM	WASHER PLAIN 8MM	1	
513		94251-08400	PIN LOCK 8MM	PIN LOCK 8MM	1	
516		95701-06022-06	BOLT FLANGE 6*22	BOLT FLANGE 6*22	1	

F17

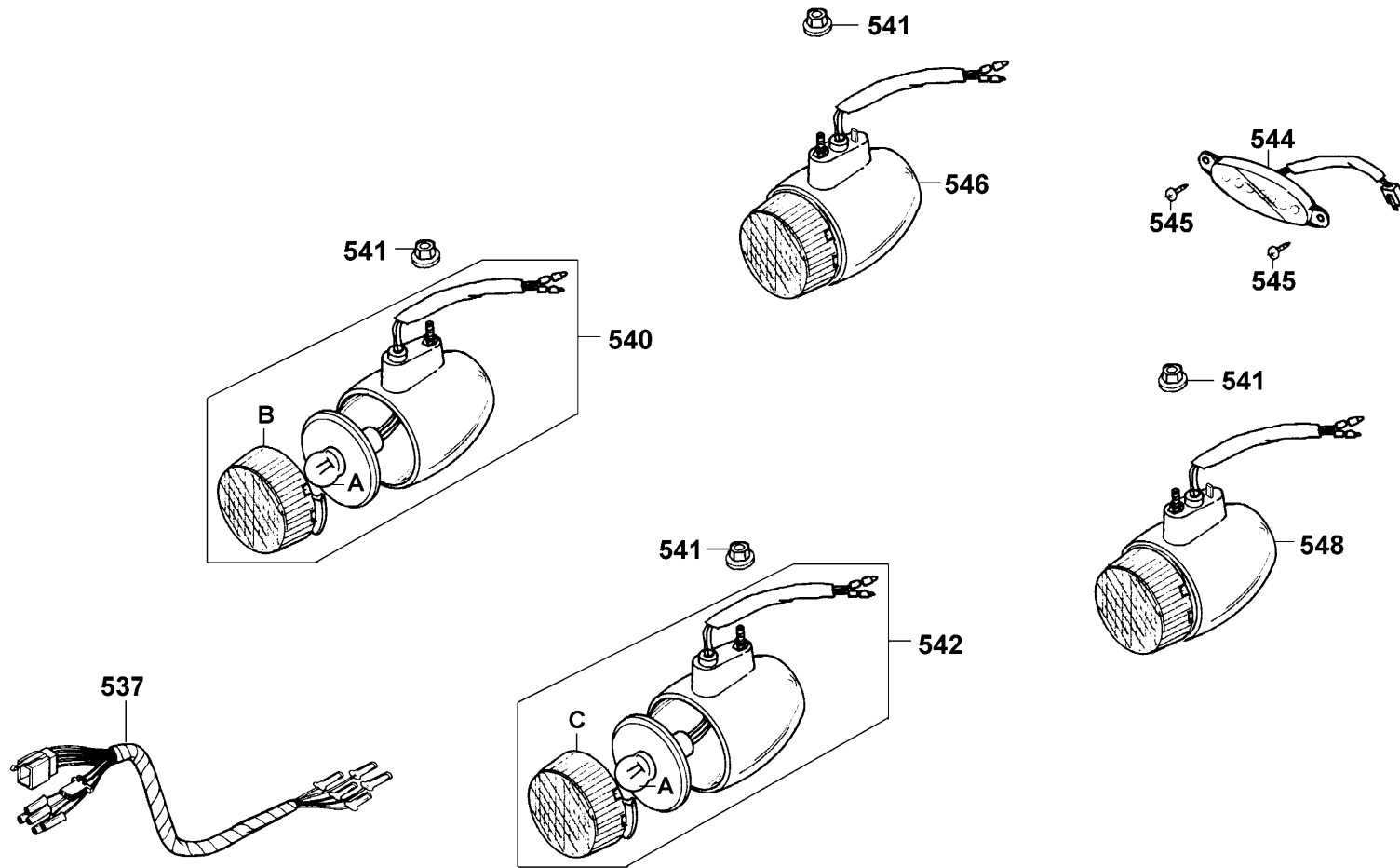
Rear Cushion



Sales mark	Ref no	Part no	Description	Reg description	Regd no	F17
**	530	52400-KEB7-E00	CUSHION ASSY RR	CUSHION ASSY RR	1	
	531	95801-08035-08	BOLT FLANGE 8*35	BOLT FLANGE 8*35	1	
	532	95801-10035-08	BOLT FLANGE 10*35	BOLT FLANGE 10*35	1	

F18

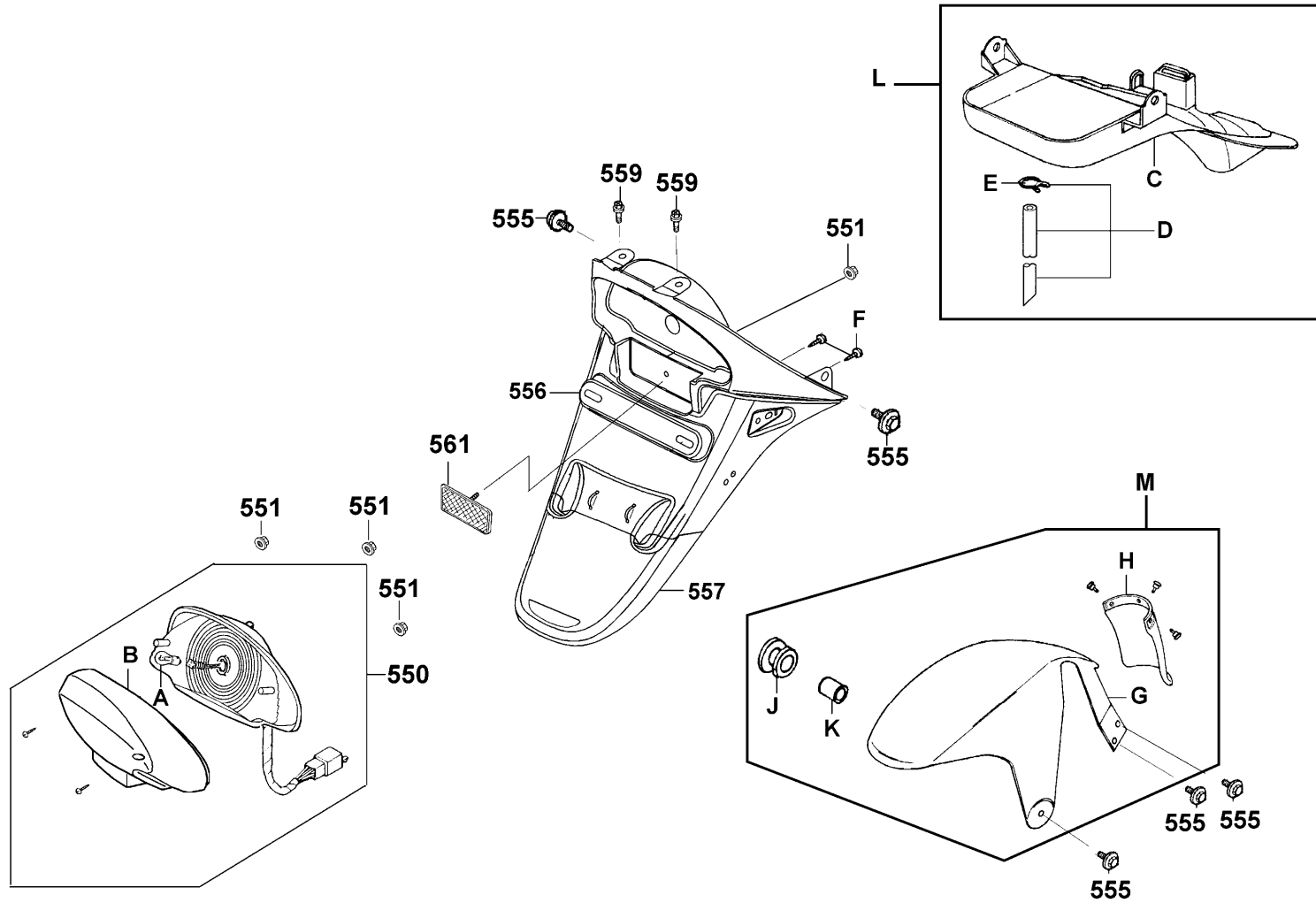
Winker



Sales mark	Ref no	Part no	Description	Reg description	Regd no	F18
	540	33400-KEB7-E00	WINKER ASSY R FR	WINKER ASSY R FR	1	
B		33402-KEB7-900	LENS R FR WINKER	LENS R FR WINKER	2	
	542	33450-KEB7-E00	WINKER ASSY L FR	WINKER ASSY L FR	1	
C		33452-KEB7-900	LENS L FR WINKER	LENS L FR WINKER	2	
	544	33500-KEB7-E00	LIGHT ASSY FR POSITION	LIGHT ASSY FR POSITION	1	
	546	33600-KEB7-E00	WINKER ASSY R RR	WINKER ASSY R RR	1	
	537	33610-KPCP-900	SUB CORD RR WINKER	SUB CORD RR WINKER	1	
	548	33650-KEB7-E00	WINKER ASSY L RR	WINKER ASSY L RR	1	
A		34905-KPCP-900	BULB WINKER	BULB WINKER	4	
	545	93903-34360	SCREW TAPPING 4*12	SCREW TAPPING 4*12	2	
	541	94050-05080	NUT FLANGE 5MM	NUT FLANGE 5MM	1	

F19

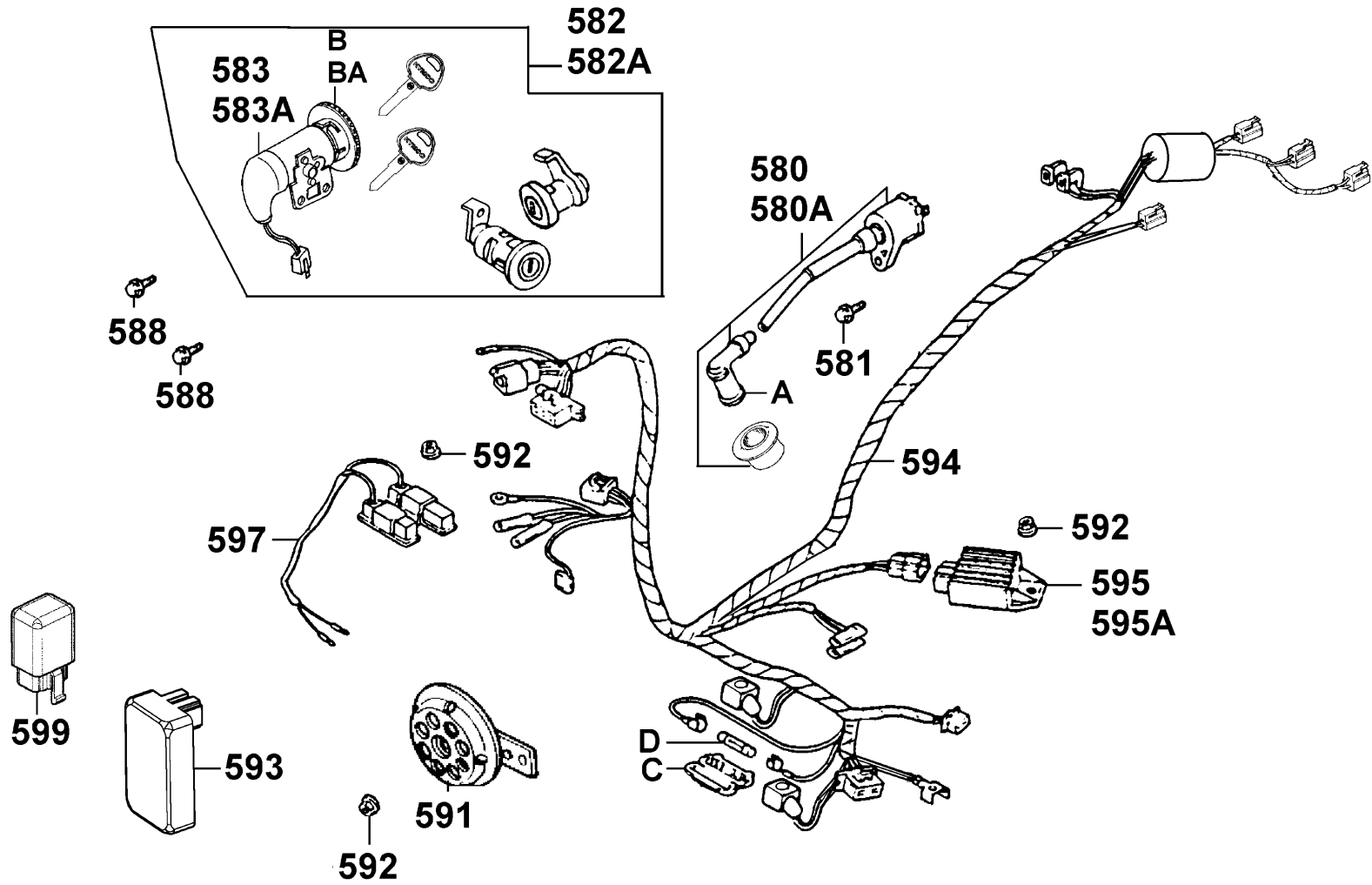
Rear Light Rear Fender



Sales mark	Ref no	Part no	Description	Reg description	Regd no	F19
	D	1755A-KEB7-900	TUBE ASSY FUEL DRAIN	TUBE ASSY FUEL DRAIN	1	
	550	33701-KEB7-E00	LIGHT ASSY TAIL	LIGHT ASSY TAIL	1	
	B	33702-KEB7-900	LENS COMP TAIL LIGHT	LENS COMP TAIL LIGHT	1	
	561	33741-KEBE-900	REFLEX REFLECTOR	REFLEX REFLECTOR	1	
	A	34906-KPCP-900	BULB TAIL & STOP 12V21W/5W	BULB TAIL & STOP 12V21W/5W	1	
	K	80100-KEB7-900	COLLAR RUBBER	COLLAR RUBBER	1	
**	C	80101-KEB7-900	FENDER A REAR	FENDER A REAR	1	
	556	80105-KEB7-900	FENDER REAR	FENDER REAR	1	
	557	80106-KEB7-900	FENDER LOW REAR	FENDER LOW REAR	1	
**	G	80107-KEB7-900	FENDER B RR	FENDER B RR	1	
	H	80108-KEB7-900	PLATE SPLASH GUARD	PLATE SPLASH GUARD	1	
	J	80109-KEB7-900	RUBBER RR FENDER B	RUBBER RR FENDER B	1	
	L	8010A-KEB7-900	FENDER A ASSY RR	FENDER A ASSY RR	1	
**	M	8011A-KEB7-900	FENDER B ASSY RR	FENDER B ASSY RR	1	
	559	90302-GFY6-901	BOLT WASH 5*12	BOLT WASH 5*12	2	
	555	93404-06012-08	BOLT WASHER 6*12	BOLT WASHER 6*12	2	
	F	93903-34360	SCREW TAPPING 4*12	SCREW TAPPING 4*12	2	
	551	94050-05080	NUT FLANGE 5MM	NUT FLANGE 5MM	3	
	E	95002-02080	CLIP B8 TUBE	CLIP B8 TUBE	1	

F20

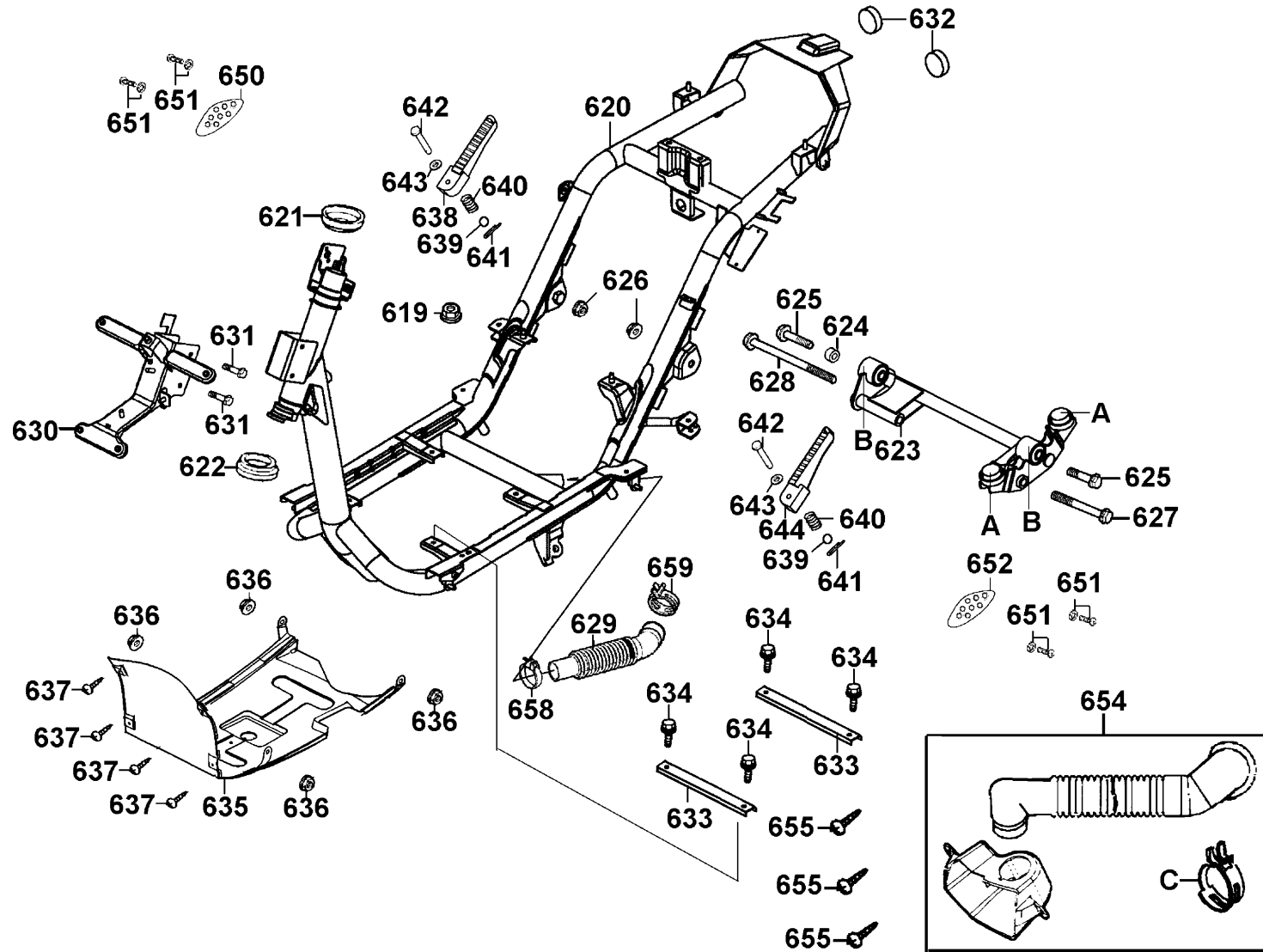
Wire Harness



Sales mark	Ref no	Part no	Description	Reg description	Regd no	F20
	593	30410-KEB7-E0B	UNIT COMP CDI & SPEED CONTROL	UNIT COMP CDI & SPEED CONTROL	1	
	580	3051A-KEB7-90A	COIL ASSY IGN	COIL ASSY IGN	1	
	580A	3051A-KEB7-90B	COIL ASSY IGN	COIL ASSY IGN	1	
	A	30700-KNBN-901	CAP ASSY NOISE SUPPRESOR	CAP ASSY NOISE SUPPRESOR	1	
	595	31600-KUDU-900	REG REC COMP	REG REC COMP	2	
	594	32100-KEB7-900	HARNESS WIRE	HARNESS WIRE	1	
	C	32120-1E55-001	CASE FUSE	CASE FUSE	1	
	582	35010-KEB7-E0A	KEY SET	KEY SET	1	
	582A	35010-KEB7-E0B	KEY SET	KEY SET	1	
	583A	35100-KEB7-315-M1	SW SET COMB & LOCK	SW SET COMB & LOCK	1	
	583	35100-KEB7-315-M2	SW COMB LOCK	SW COMB LOCK	1	
	B	35102-KGBG-91A	COLLAR MAIN SW	COLLAR MAIN SW	1	
	BA	35102-KGBG-91B	COLLAR MAIN SW	COLLAR MAIN SW	1	
	597	35400-KNBN-920	RESISTOR COMP	RESISTOR COMP	1	
	591	38110-KEB7-90A	HORN COMP	HORN COMP	1	
	599	38501-GBW2-902	RELAY COMP START	RELAY COMP START	1	
	581	90112-KRDR-900	BOLT FLANGE 5*22	BOLT FLANGE 5*22	1	
	592	94050-06080	NUT FLANGE 6MM	NUT FLANGE 6MM	1	
	588	95701-KEB7-E00	BOLT TORQUE 6*16	BOLT TORQUE 6*16	2	
	D	98200-10700	FUSE A7	FUSE A7	1	

F21

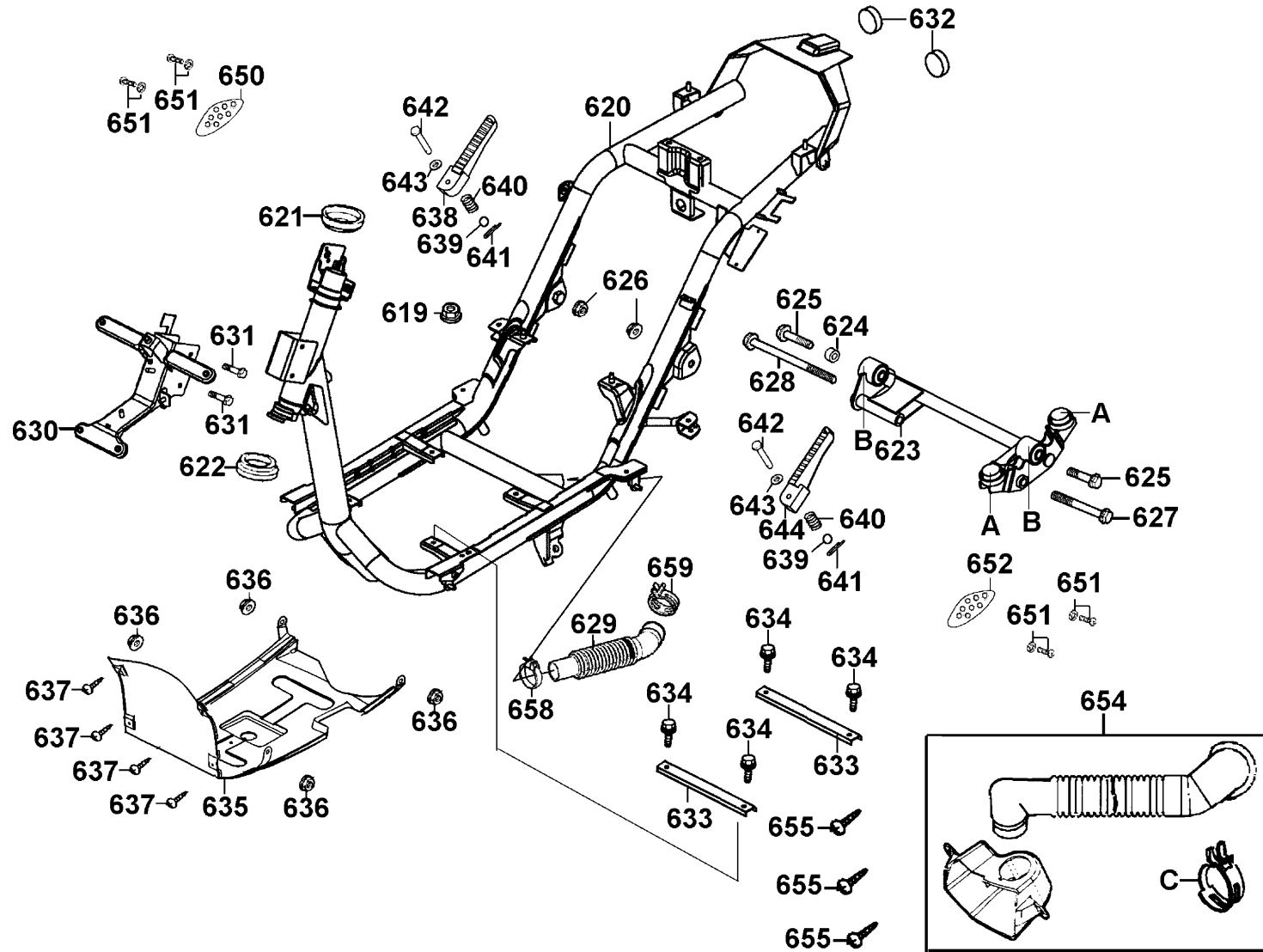
Frame Body



Sales mark	Ref no	Part no	Description	Reg description	Regd no	F21
	C	17215-KGBG-90A	CLIP ASSY A/C DUCT	CLIP ASSY A/C DUCT	1	
	659	17215-KNBN-200	CLIP ASSY AIR/C DUCT	CLIP ASSY AIR/C DUCT	1	
	654	1721A-KEB7-900	DUCT ASSY AIR/C	DUCT ASSY AIR/C	1	
	629	19410-KEB7-900	DUCT COLLING	DUCT COLLING	1	
	658	19411-KNBN-900	CLIP HOSE	CLIP HOSE	1	
	620	50100-KEB7-E00	BODY COMP FRAME	BODY COMP FRAME	1	
	621	50301-GLM0-001	RACE UP STRG BALL	RACE UP STRG BALL	1	
	622	50305-GHC8-004	RACE (UNDER STR) BALL	RACE (UNDER STR) BALL	1	
	623	50350-KEB7-900	HANGER ASSY ENG	HANGER ASSY ENG	1	
	650	50355-KEB7-900	COVER R HANGER	COVER R HANGER	1	
	652	50356-KEB7-900	COVER L HANGER	COVER L HANGER	1	
	A	50356-KNBN-200	RUBBER C ENG HANGE STPR	RUBBER C ENG HANGE STPR	2	
	B	50357-KEB7-900	RUBBER BUSH ENG HANGE	RUBBER BUSH ENG HANGE	2	
	**	635	50613-KEB7-900	COVER UNDER	COVER UNDER	1
	633	50615-KKDK-900	RNFCT FLOOR CROSS	RNFCT FLOOR CROSS	2	
	**	638	50700-KGB5-900	BAR R RR STEP	BAR R RR STEP	1
	**	644	50710-KGB5-900	BAR L RR STEP	BAR L RR STEP	1
	640	50713-KEB7-900	SPRING	SPRING	1	
	642	50715-KEB7-900	PIN RR STEP	PIN RR STEP	1	
	630	64315-KEB7-900	STAY FR COVER	STAY FR COVER	1	

F21

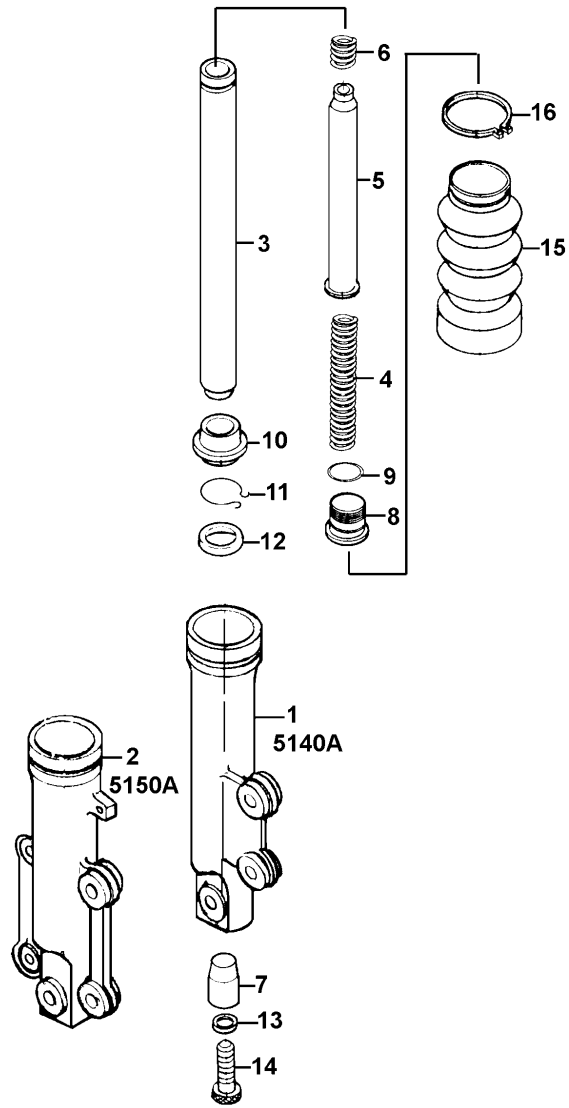
Frame Body



Sales mark	Ref no	Part no	Description	Reg description	Regd no	F21
632		90102-KNBN-900	PLUG HOSE	PLUG HOSE	2	
624		90121-GFY6-901	COLLAR DISTANCE	COLLAR DISTANCE	1	
636		90301-6D34-671	NUT FLANGE 6MM	NUT FLANGE 6MM	4	
626		90304-GHE8-004	NUT U 10MM	NUT U 10MM	2	
651		93891-05012-06	SCREW WASHER 5*12	SCREW WASHER 5*12	2	
655		93903-34360	SCREW TAPPING 4*12	SCREW TAPPING 4*12	3	
637		93903-GFY6-900	SCREW TAPPING 4*14	SCREW TAPPING 4*14	4	
619		94050-06080	NUT FLANGE 6MM	NUT FLANGE 6MM	1	
643		94101-06800	WASHER PLAIN 6MM	WASHER PLAIN 6MM	1	
641		94251-08400	PIN LOCK 8MM	PIN LOCK 8MM	1	
634		95701-06012-08	BOLT FLANGE 6*12	BOLT FLANGE 6*12	4	
631		95801-06050-08	BOLT FLANGE 6*50	BOLT FLANGE 6*50	2	
625		95801-10050-06	BOLT FLANGE 10*50	BOLT FLANGE 10*50	2	
627		95801-10095-06	BOLT FLANGE 10*95	BOLT FLANGE 10*95	1	
628		95801-10120-06	BOLT FLANGE 10*120	BOLT FLANGE 10*120	1	
639		96211-08000	BALL STEEL 8MM	BALL STEEL 8MM	1	

F22

Separated Parts Of Fr Fork



Sales mark	Ref no	Part no	Description	Reg description	Regd no	F22
	10	31009-3L30-710	DUST SEAL	DUST SEAL	2	
	4	51401-KEB7-900	SPRING	SPRING	2	
	3	51410-KEB7-900	FORK PIPE COMP	FORK PIPE COMP	2	
	15	51411-KEB7-900	BOOT	BOOT	2	
	6	51412-KEB7-900	REBOUND SPRING	REBOUND SPRING	2	
	16	51412-KEBE-E00	BOOT BAND	BOOT BAND	2	
**	1	51420-KEB7-800	BOTTOM CASE R	BOTTOM CASE R	1	
	5	51429-KEB7-900	PIPE SEAT COMP	PIPE SEAT COMP	2	
	7	51432-KGM7-911	OIL LOCK PIECE	OIL LOCK PIECE	2	
**	2	51520-KEB7-800	BOTTOM CASE L	BOTTOM CASE L	1	
	14	90116-3C83-72A	BOLT	BOLT	2	
	13	90554-2C83-001	PACKING	PACKING	2	
	11	90601-3D54-001	RING OIL-SEAL STOPPER	RING OIL-SEAL STOPPER	2	
	12	91255-4F46-014	OIL SEAL	OIL SEAL	2	
	8	94605-KEBE-900	FORK BOLT	FORK BOLT	2	
	9	94608-30000	O-RING	O-RING	2	

Caution Label

680

<ul style="list-style-type: none"> ■ Be sure to wear safety helmet when riding ■ Do not exceed the speed specified by the speed rating ■ The exhaust gas temperature is very high after riding. Be sure to park the motorcycle in a place not easily touched by people. ■ Be sure to perform the specified safety inspection before riding. 	<p>(Safety Inspection Items)</p> <p>Brake performance, tires, Cycle motor oil, lights, horn, and instrument panel</p> <p>KYANG YANG MOTOR CO.,LTD.</p>
---	--

Please read the User's manual carefully to secure driving safety.
 Be sure to observe the traffic rules and perform regular maintenance to more than two persons shall ride on one motorcycle.

683

CAUTIONS

Never put any article between the rear side cover and the engine to avoid interference of riding.

689-300

681

CAUTION

- The weight of articles put in the inner box shall not exceed 1.5kgs
- Water may enter into the box when washing the motorcycle be careful when putting important articles

684

KYMCO TYPE: SF

E4	10	010016	E13	63	000064
	47	000012			

KEB7-E000

682

CAUTIONS

Before starting the engine, the side stand shall be kicked up to secure safety.

685

CAUTIONS

Tire Size	Front 120/90-10	Rear 130/90-10
(One Rider)	Front 120kg/cmf	Rear 175kg/cmf
(Two Rider)	Front 120kg/cmf	Rear 175kg/cmf
Load Capacity	Shield 15kg	Rear carrier 4kg
	Inner box under saddle 10kg	

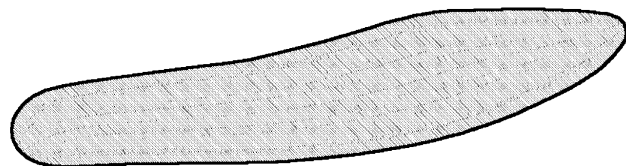
When refilling gasoline, check the motor oil level. Riding with insufficient motor oil will cause breakdown easily.

KEB7-E000

Sales mark	Ref no	Part no	Description	Reg description	Regd no	F23
**	681	81218-KCAC-P00	CAUTION INNER BOX	CAUTION INNER BOX	1	
**	684	87223-KEB7-E00	MARK E/M & RADIO NOISE	MARK E/M & RADIO NOISE	1	
**	685	87505-KEB7-E10	LABEL TIRE	LABEL TIRE	1	
**	682	87541-GAR1-E00	CAUTION SIDE STAND	CAUTION SIDE STAND	1	
**	683	87542-GAR1-E00	MARK MAINT CAUTION	MARK MAINT CAUTION	1	
**	680	87560-GAR1-E00	MARK DRIVE CAUTION	MARK DRIVE CAUTION	1	

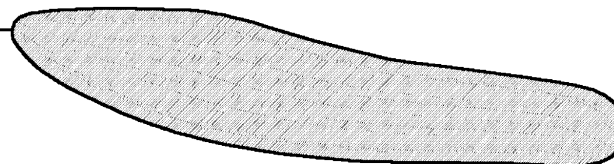


690

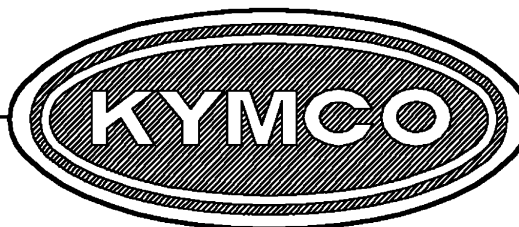


692

691



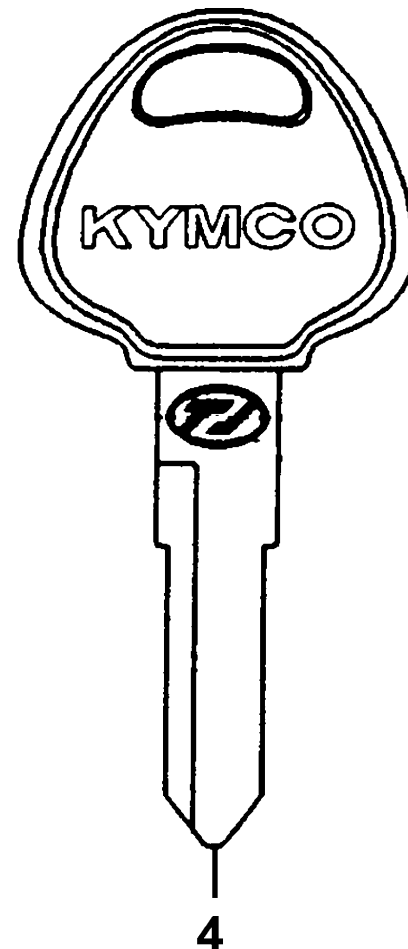
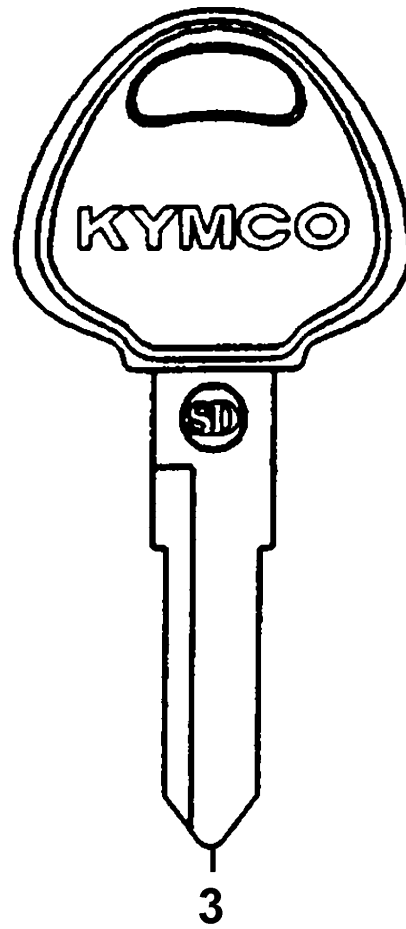
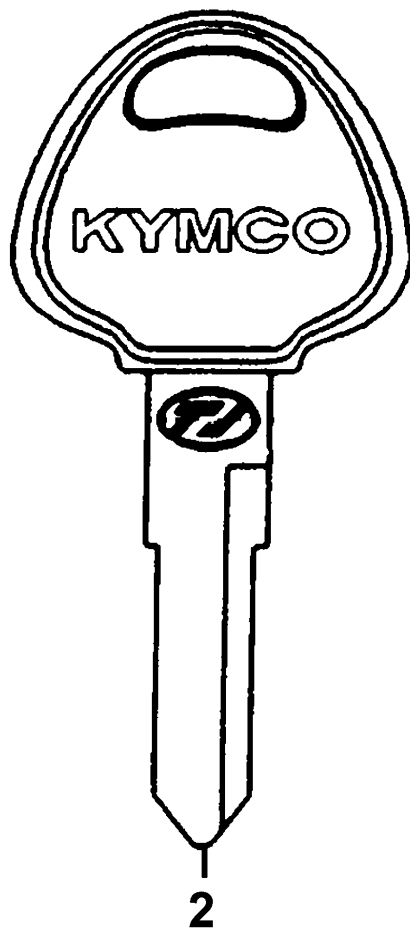
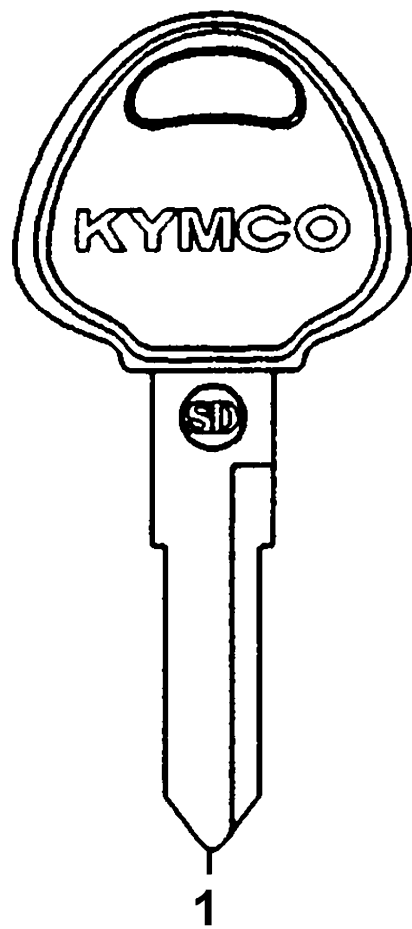
695



Sales mark	Ref no	Part no	Description	Reg description	Regd no	F24
**	690	87132-KEB7-E10	STRIPE BODY COVER	STRIPE BODY COVER	1	
**	695	87206-KNCN-800	EMB FR COVER	EMB FR COVER	1	
**	691	87551-KEB7-900	STRIPE R SKIRT	STRIPE R SKIRT	1	
**	692	87552-KEB7-900	STRIPE L SKIRT	STRIPE L SKIRT	1	

F25

Key



Sales mark	Ref no	Part no	Description	Reg description	Regd no	F25
1		35111-KGBG-305-M1	KEY COMP	KEY COMP	1	
2		35111-KGBG-305-M2	KEY COMP	KEY COMP	1	
3		35111-KGBG-306-M1	KEY COMP	KEY COMP	1	
4		35111-KGBG-306-M2	KEY COMP	KEY COMP	1	

PART NO. INDEX

PART NO.	VERSION	PAGE	PART NO.	VERSION	PAGE	PART NO.	VERSION	PAGE
1000			11203-GGC7-301	2	E09			
			11203-KHG8-301	2	E08	14000		
			11204-KEB7-900	0	E09			
1001-GC8H-0351	0	E11	11205-GHAH-004	0	E09	14100-KEB7-900	0	E09
1010-GAKH-9200	0	E11	11205-KED5-900	0	E09			
1020-GAKH-9300	0	E11	11206-KEB7-900	0	E09	15000		
103J-073H-9900-SB0	0	E11	11208-GKAK-901	0	E09			
105B-KBNH-9000	0	E11	11208-KEB7-900	0	E09	15100-KEB7-E00	0	E09
1300-GW0H-9000-K	0	E11	11341-KEB7-900	3	E05	15110-KEB7-900	0	E09
1703-GJ2H-0040	0	E11	11395-KEB7-900	0	E05	1552A-KEB7-901	0	E09
1738-GJ2H-0040	0	E11				15772-5A51-001	1	F12
1785-KBNH-9000-SB0	0	E11	12000					
1787-KG8H-9010	0	E11				16000		
1793-144H-9900	0	E11	12101-KEB7-901	2	E02			
1799-KBNH-9000	0	E11	12191-KEB7-900	0	E02	1610K-KEB7-B20	0	E11
			12201-KEB7-900	1	E02	16152-KG8-9010-M1	0	E11
4000			12251-KEB7-900	0	E02	1621A-GKAK-901	0	E09
						16620-KEB7-E00	1	E11
4000-077-0000	0	E11	13000			16630-KEB7-E00	1	E01
						1691A-GFY6-90A	3	F10
11000			13000-GKAK-921	9	E10	1691A-GFY6-90B	2	F10
			13011-GLW0-90A	4	E10	16950-KKJ9-75A	3	F10
11100-KGB5-305	4	E09	13101-GLW0-901	2	E10			
11102-1G87-004	3	E09	13111-1F66-001	2	E10	17000		
11108-KEB7-900	0	E03	13115-1F56-001	0	E10			
11200-KEB7-325	5	E09				17100-KEB7-E00	1	E09

PART NO. INDEX

PART NO.	VERSION	PAGE	PART NO.	VERSION	PAGE	PART NO.	VERSION	PAGE
17111-KEB7-900	0	E09	1830A-KEB7-E01	0	F15	22131-GHAH-781	0	E06
17112-KEB7-900	1	E09	18318-KEB7-900	0	F15	22132-GLW0-001	2	E06
17205-KEB7-900	0	F14	18319-KEB7-E00	0	F15	22300-KXCX-900	2	E07
17206-KEB7-900	4	F14				22350-GKAK-930	1	E07
17207-KEB7-900	0	F14	19000			22401-GBG2-900	0	E07
17208-KEB7-900	0	F14				22530-GKAK-930	1	E07
17212-KEB7-900	0	F14	19410-KEB7-900	2	F21	22804-1H48-001	0	E07
17213-KEB7-900	2	F14	19411-KNBN-900	1	F21			
17215-KEB7-900	0	F14	19510-GBW2-901	6	E03	23000		
17215-KGBG-90A	2	F21	19600-KEB7-900	0	E01			
17215-KNBN-200	0	F21	1962A-KEB7-900	4	E01	2301A-KEB7-220	1	E07
17216-KEB7-900	0	F14	1962A-KEB7-E00	1	E01	23100-KEB7-900	0	E07
1721A-KEB7-900	1	F21				23200-GAR1-220	2	E07
17253-KEB7-900	0	F14	21000			23220-GKAK-220	1	E07
17254-KACA-P00	0	F14				23225-GAR1-751	0	E07
17500-KEB7-E00	0	F10	21200-GKAK-305	6	E08	23233-GHE8-001	2	E07
17502-1G87-001	0	F12	21395-KNBN-901	1	E08	23237-GAR1-220	0	E07
1755A-KEB7-900	0	F19				23238-GFY6-941	0	E07
17620-GGS7-67A	5	F10	22000			23411-KEB7-900	1	E08
17910-KEB7-900	1	F03				23420-KEB7-900	3	E08
18000			22100-GAR1-751	0	E07	23431-KNBN-901	2	E08
			22102-KEB7-900	0	E06	23432-KEB7-900	3	E08
			22103-KEB7-900	0	E06			
18291-LBA7-900	2	F15	22105-KEB7-E00	1	E06	28000		
18294-KEBE-900	0	F15	22110-KFA1-220	0	E06			
18294-KTCT-900	0	F15	22121-GLW0-901	2	E06	28211-KEB7-900	1	E06

PART NO. INDEX

PART NO.	VERSION	PAGE	PART NO.	VERSION	PAGE	PART NO.	VERSION	PAGE
28223-KNBN-901	0	E06	31600-KUDU-900	2	F20	33741-GFY6-C30	1	F05
28230-GKAK-921	0	E06				33741-KEBE-900	1	F19
28250-KNBN-901	1	E06	32000					
28253-GBN2-60A	0	E06				34000		
28255-GFS6-001	0	E06	32100-KEB7-900	2	F20			
28281-GBN2-60A	1	E06	32101-GFY6-901	1	F04	34901-KEB7-E00	0	F01
28300-KNBN-901	3	F16	32105-KEB7-900	0	E04	34903-KALA-900	0	F02
			32120-1E55-001	0	F20	34905-KPCP-900	0	F18
30000			32161-3C93-004	0	E01	34906-KPCP-900	0	F19
						34908-MKB9-87A	0	F02
30410-KEB7-E0B	0	F20	33000					
3051A-KEB7-90A	4	F20				35000		
3051A-KEB7-90B	2	F20	33100-KEB7-E00	3	F01			
30700-KNBN-901	2	F20	33120-KEB7-E00	0	F01	35010-KEB7-E0A	1	F20
			33121-KEB7-900	0	F01	35010-KEB7-E0B	0	F20
31000			33130-KEB7-E00	0	F01	35100-KEB7-315-M1	0	F20
			33400-KEB7-E00	1	F18	35100-KEB7-315-M2	0	F20
31009-3L30-710	0	F22	33402-KEB7-900	0	F18	35102-KGBG-91A	0	F20
31110-KEB7-90A	2	E03	33450-KEB7-E00	1	F18	35102-KGBG-91B	0	F20
31110-KEB7-90B	1	E03	33452-KEB7-900	0	F18	35111-KGBG-305-M1	0	F25
31120-KEB7-90A	2	E03	33500-KEB7-E00	2	F18	35111-KGBG-305-M2	0	F25
31120-KEB7-90B	2	E03	33600-KEB7-E00	1	F18	35111-KGBG-306-M1	0	F25
31209-GKAK-901	3	E04	33610-KPCP-900	1	F18	35111-KGBG-306-M2	0	F25
31210-GKAK-90C	1	E04	33650-KEB7-E00	1	F18	3515A-KGBG-E00	3	F03
31500-KNBN-92A	6	F11	33701-KEB7-E00	1	F19	3520A-KGBG-E00	4	F03
31500-KNBN-92B	8	F11	33702-KEB7-900	0	F19	35340-KKJ9-010	5	F03

PART NO. INDEX

PART NO.	VERSION	PAGE	PART NO.	VERSION	PAGE	PART NO.	VERSION	PAGE
35340-KNBN-901	0	F04						
35400-KNBN-920	0	F20	43000			45000		
35410-KEB7-900	0	F12						
37000			43108-KFS6-07A	0	F07	45100-KXCX-E00	4	F07
			43109-MCA3-007	0	F07	45105-KXCX-E05	1	F07
			43120-GBW2-90A	1	F08	45110-KXCX-E00	1	F07
37200-KEB7-E1A	4	F02	43141-GKAK-901	3	F08	45121-KECE-900	1	F07
37200-KEB7-E1B	4	F02	43209-MCA3-007	0	F07	45126-KEB7-900	2	F04
37211-KEB7-90A	1	F02	43352-5H68-004	3	F07	45128-KEB7-900	0	F06
37211-KEB7-90B	1	F02	43353-4A61-77A	0	F07	45131-1F66-017	0	F07
37801-GGA7-701	1	F10	43410-KEB7-900	0	F08	45131-HEA5-67A	0	F07
37802-GGA7-701	2	F10	43450-KEB7-900	7	F03	45132-1F66-017	0	F07
3780A-KEB7-900	3	F10				45133-0H28-001	1	F08
38000			44000			45133-MCA3-007	0	F07
			44311-GLW0-911	0	F07	45156-KDLD-901	2	F06
38110-KEB7-90A	2	F20	44601-KEB7-E10	0	F07	45203-MCG3-007	0	F07
38300-KEB7-900	2	F02	44620-KEB7-E00	0	F07	45215-KCA3-73A	0	F07
38501-GBW2-902	1	F20	44650-KEB7-315	2	F07	45216-1F66-007	0	F07
42000			44710-KEB7-E1A	3	F07	45216-KFW6-90A	0	F07
			44800-KXCX-E00	6	F07	45465-KEB7-E00	0	F06
			44830-KEB7-800	3	F02	45513-KCCC-900	0	F04
42601-KEB7-E0E	2	F08	44831-KEB7-800	0	F02	45517-GFY6-900	5	F03
42710-KEB7-E1A	3	F08				45517-KFAF-900	0	F04
42753-KNBN-90B	1	F08				45517-KFAF-910	0	F04
42753-KXCX-900	1	F07				45530-KEB7-306	0	F04
						45531-GAR1-951	0	F07

PART NO. INDEX

PART NO.	VERSION	PAGE	PART NO.	VERSION	PAGE	PART NO.	VERSION	PAGE	
50000			50715-KEB7-900	0	F21	53172-KTCT-900	0	F03	
			51000			53175-KTCT-900	1	F04	
	50100-KEB7-E00	9	F21			53178-GKAK-901	0	F03	
	50301-GLM0-001	0	F21	51401-KEB7-900	0	F22	5317B-KEB7-900	2	F03
	50305-GHC8-004	0	F21	5140A-KEB7-810	9	F06	53200-KEB7-E00	6	F06
	50306-1F96-001	0	F06	51410-KEB7-900	0	F22	53205-KEB7-800	2	F03
	50326-KEB7-900	0	F11	51411-KEB7-900	0	F22	53206-KEB7-900	1	F03
	50328-KKDK-900	1	F11	51412-KEB7-900	0	F22	53211-GFY6-940	1	F06
	50350-KEB7-900	5	F21	51412-KEBE-E00	0	F22	53212-GHC8-004	1	F06
	50355-KEB7-900	0	F21	51420-KEB7-800	1	F22	55000		
	50356-KEB7-900	0	F21	51429-KEB7-900	0	F22			
	50356-KNBN-200	1	F21	51432-KGM7-911	0	F22	55100-KEB7-900	0	F12
	50357-KEB7-900	1	F21	5150A-KEB7-810	10	F06	55102-1F66-001	0	F12
	50503-KEB7-900	1	F16	51520-KEB7-800	0	F22	55106-KEB7-900	2	F12
	50505-KEBE-900	0	F16				55121-KEB7-900	0	F12
	5050A-KEB7-900	5	F16	52000			55123-KKD6-E00	0	F12
	50527-KED5-900	0	F16				55200-KKD6-E00	0	F12
	50530-KEB7-E00	1	F16	52400-KEB7-E00	1	F17	55201-GHC8-001	0	F12
	50535-KEB7-E00	3	F16				61000		
	50550-KEB7-E00	1	F16	53000					
50613-KEB7-900	0	F21				61110-KEB7-800	0	F06	
50615-KKDK-900	0	F21	53100-KEB7-900	2	F03				
50700-KGB5-900	1	F21	53105-KNBN-910	1	F03				
50710-KGB5-900	1	F21	53140-KNBN-960	0	F03				
50713-KEB7-900	0	F21	53166-KNBN-911	0	F03				

PART NO. INDEX

PART NO.	VERSION	PAGE	PART NO.	VERSION	PAGE	PART NO.	VERSION	PAGE	
64000			77225-KEB7-315-M2	0	F13	81141-KEB7-900	1	F05	
			77230-KEB7-E00	0	F10	81142-KACA-900	0	F05	
			77232-GLW0-315-M2	0	F05	81146-GBN2-001	0	F05	
	64301-KEB7-800	1	F05	7730A-KEB7-E00	1	F13	81218-KCAC-P00	0	F23
	64302-KEB7-900	1	F05			81260-KEB7-E00	3	F13	
	64303-KEB7-900	0	F05	80000					
	64304-KEB7-900	2	F05			83000			
	64304-KEB7-E00	2	F05	80100-KEB7-900	0	F19			
	64305-KEB7-900	2	F05	80101-KEB7-900	0	F19	83500-KEB7-345	1	F13
	64305-KEB7-E00	2	F05	80105-KEB7-900	2	F19	83501-KEB7-900	0	F13
	64310-KEB7-900	3	F05	80106-KEB7-900	1	F19	83520-KEB7-305	0	F13
	64312-KEB7-E00	0	F05	80107-KEB7-900	1	F19	83520-KEB7-315	0	F13
	64313-KEB7-E00	0	F05	80108-KEB7-900	0	F19	83600-KEB7-345	1	F13
64314-KEB7-E00	0	F05	80109-KEB7-900	0	F19	83601-KEB7-900	0	F13	
64315-KEB7-900	0	F21	8010A-KEB7-900	1	F19	83620-KEB7-305	0	F13	
64316-KEB7-900	0	F05	8011A-KEB7-900	0	F19	83620-KEB7-315	0	F13	
			80151-KEB7-900	0	F13	83750-KEB7-900	0	F13	
			80153-KEB7-900	0	F13				
75000			81000			87000			
75581-6C73-001	0	F05				87132-KEB7-E10	1	F24	
75581-GHN8-921	0	F13				87206-KNCN-800	3	F24	
			81131-KEB7-900	1	F05	87223-KEB7-E00	0	F23	
			81132-KEB7-900	1	F05	87505-KEB7-E10	1	F23	
			81133-KGBG-900	0	F13	87541-GAR1-E00	1	F23	
77106-KEB7-900	0	F13	81134-KGBG-900	2	F13	87542-GAR1-E00	2	F23	
77200-KEB7-E00	1	F09	81135-KGBG-900	2	F13				

PART NO. INDEX

PART NO.	VERSION	PAGE	PART NO.	VERSION	PAGE	PART NO.	VERSION	PAGE
87551-KEB7-900	0	F24	90112-KRDR-900	0	F20	90412-3K29-001	0	E06
87552-KEB7-900	0	F24	90114-1F66-007	2	F04	90426-KNBN-901	0	E06
87560-GAR1-E00	3	F23	90115-GLE0-001	0	F03	90429-KNBN-901	0	E08
88000			90116-3C83-72A	0	F22	90442-0D44-001	0	E07
			90121-GFY6-901	1	F21	90451-GBN2-601	0	E06
			90121-KBE2-981	4	F07	90454-GBB2-001	0	E07
88110-KEB7-E00	3	F03	90131-GLW0-911	0	F07	90474-3C33-001	1	E09
88120-KEB7-E00	3	F03	90145-MKS9-61A	1	F04	90501-KNBN-901	0	F08
89000			90202-1G87-001	0	E07	90545-3L00-001	2	F04
			90215-GLM0-910	1	F13	90554-2C83-001	0	F22
			90301-6D34-671	1	F21	90601-3D54-001	0	F22
89010-KNBN-900	0	F09	90301-KGBG-900	1	F15	90652-GBHB-641	0	F14
90000			90302-GFY6-901	1	F05	90656-GFY6-911	0	F03
			90302-GFY6-901	1	F11	90677-GAR1-004	1	F13
			90302-GFY6-901	1	F12	90741-0E35-001	0	E10
90001-GKAK-901	0	E02	90302-GFY6-901	1	F19	90754-GHC8-00A	1	F07
9000A-KTDT-900	1	E05	90302-KED5-900	2	F13	90912-GHC8-00A	0	F07
90102-KNBN-900	0	F21	90302-SDA4-004	2	F05	90912-GHC8-00D	0	F07
90105-GGS7-001	0	F13	90302-SDA4-004	2	F13	91000		
90105-KCR3-001	1	F07	90304-GHE8-004	0	F03			
90108-KEB7-E00	0	F16	90304-GHE8-004	0	F21			
90110-KEB7-900	1	F03	90305-GHK8-001	1	F13	91001-GGA7-70A	2	E07
90110-KEB7-900	1	F05	90305-KNBN-90B	0	F08	91001-GLW0-90A	6	E09
90110-KEB7-900	1	F06	90306-GLW0-90A	1	F07	91004-KBN2-90A	0	E08
90110-KEB7-900	1	F13	90309-KLF0-004-SY	1	E08	91004-KBN2-90A	0	E09
90111-KFW6-001	0	F13	90381-GEZ5-001	1	F13	91004-KNBN-92A	0	E09

PART NO. INDEX

PART NO.	VERSION	PAGE	PART NO.	VERSION	PAGE	PART NO.	VERSION	PAGE
91006-KNBN-901	5	E09				93903-35080	0	F14
91009-GLE0-004	1	E08	93000			93903-35320	0	F02
91102-GLW0-009	0	E10				93903-45360	0	F01
91103-GAR1-004	0	E07	93404-06012-06	0	F05	93903-GFY6-900	1	F13
91103-GAR1-00A	0	E07	93404-06012-08	0	F19	93903-GFY6-900	1	F21
91201-KNBN-92A	0	E09	93404-06020-06	1	F05			
91202-KNBN-92A	0	E09	93500-05012-0H	0	E09	94000		
91202-KNBN-92B	0	E09	93500-KEB7-900	1	F15			
91204-KNBN-90A	1	E09	93500-KGBG-900	0	F03	94001-05080-0S	0	F03
91211-GHK8-014	1	E07	93501-KEB7-900	1	F15	94001-12280-0S	0	E06
91255-4F46-014	0	F22	93600-04012-1G	0	F04	94050-05080	0	F18
91255-GLE0-006	0	E08	93700-05018-0H	0	F02	94050-05080	0	F19
91258-KAM1-00A	1	F07	93891-05012-06	0	F21	94050-06080	0	E11
91301-0C53-001	0	E08	93892-04008-18	0	E11	94050-06080	0	F04
91301-KEA5-742	0	E07	93892-04014-18-3	0	E11	94050-06080	0	F05
91302-PKA9-004	0	E07	93893-04012-18	0	F04	94050-06080	0	F09
91304-GLB0-911	1	E09	93903-14360	0	F13	94050-06080	0	F10
91309-GKAK-901	0	E04	93903-25360	0	F14	94050-06080	0	F20
91352-KHG8-83B	0	F08	93903-34360	0	F02	94050-06080	0	F21
			93903-34360	0	F03	94050-10080	0	E03
92000			93903-34360	0	F05	94050-10080	0	E07
			93903-34360	0	F13	94101-06800	0	F15
92700-06028-1B	0	E02	93903-34360	0	F14	94101-06800	0	F21
			93903-34360	0	F18	94101-08600	0	F16
			93903-34360	0	F19	94101-10800	0	F03
			93903-34360	0	F21	94251-08400	0	F16

PART NO. INDEX

PART NO.	VERSION	PAGE	PART NO.	VERSION	PAGE	PART NO.	VERSION	PAGE
94251-08400	0	F21	95701-06008-06	1	F15	95801-10120-06	0	F21
94301-10200	0	E09	95701-06012-08	0	F06			
94510-20000	0	E08	95701-06012-08	0	F10	96000		
94511-14000	0	E06	95701-06012-08	0	F21			
94520-24000	1	E07	95701-06016-08	0	F06	96001-06012-08	0	E03
94591-21000	0	F05	95701-06022-06	1	F04	96001-06016-08	0	E03
94591-KFBF-900	2	E01	95701-06022-06	1	F16	96001-06022-08	0	E03
94605-KEBE-900	1	F22	95701-06022-08	0	F08	96001-06025-08	0	E04
94608-30000	0	F22	95701-06025-08	0	E01	96001-06025-08	0	E09
95000			95701-06025-08	0	F03	96001-06032-08	0	E09
			95701-06028-08	0	F05	96001-06045-08	0	E09
			95701-06040-08	0	F14	96001-06055-08	0	E09
95002-02070	0	E11	95701-08012-08	0	E09	96100-62033-00	0	E09
95002-02070	0	F10	95701-08040-08	0	E09	96211-05000	0	F06
95002-02080	0	E11	95701-08045-06	1	F13	96211-08000	0	F21
95002-02080	0	F10	95701-KEB7-E00	1	F20			
95002-02080	0	F19	95801-06050-08	0	F21	98000		
95002-02100	0	F12	95801-08035-06	1	F15			
95002-02110	0	F14	95801-08035-08	0	E09	98076-5871G-00	0	E02
95002-02650	0	E09	95801-08035-08	0	F17	98200-10700	0	F11
95002-50000	0	F12	95801-08040-08	0	F06	98200-10700	0	F20
9500B-KEB7-E00	0	F10	95801-08050-06	1	F15			
9500C-KEB7-900	0	F10	95801-10035-08	0	F17	99000		
9500E-KEB7-900	0	F10	95801-10040-08	0	F03			
95015-32001	0	F03	95801-10050-06	1	F21	99101-116-0850	0	E11
95015-42000	0	F03	95801-10095-06	0	F21			

PART NO. INDEX

PART NO.	VERSION	PAGE	PART NO.	VERSION	PAGE	PART NO.	VERSION	PAGE
K								
K350-KEB-0500	0	E11						
K378-001	0	E11						
K506-GW0-0100	0	E11						
K785-KEB-0300	0	E11						
N								
N413-32A00	0	E11						
N425-2RFMK	0	E11						
S								
S3620-031-B000	0	E11						
S4460-213-B001	0	E11						
S536-1241	0	E11						