

PARTS CATALOGUE



SCOOTERS

KF10AA(FL)



Release Date : 2009/08/18
Print Date : 2010/08/10

ABOUT THIS PARTS LIST

- This parts list is compiled all service parts for model KF10AA(FL).
- Any difference between color chart and motorcycle will be revised according to motorcycle.
- The Mark:
 1. Marking "***" must add color code in the end before ordering parts.
 2. Marking "#" are parts with modification, Please find the details from e-Parts system.
- When modification or additions to this parts list are made a revised edition at an appropriate time.

CONTENTS

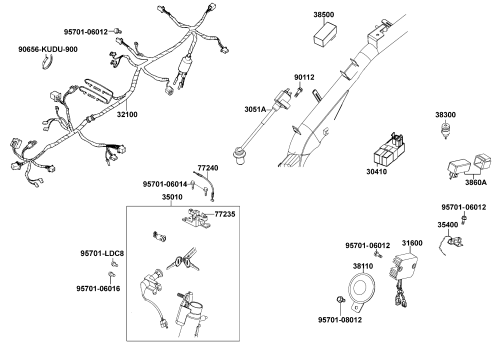
● ABOUT THIS PARTS LIST	1
● COLOR CHART OF KF10AA(FL)	3
● CONTENTS-ENGINE GROUP	7
● CONTENTS-FRAME GROUP	8
● ENGINE PARTS LIST	11
● FRAME PARTS LIST	33
● PART NO. INDEX	89

NO	MODEL			COLOR CHART OF KF10AA(FL)			
	PHOTO NO			NO. 1	NO. 2	NO. 3	NO. 4
	BASIC COLOR			Bright Blue	Gray Metallic	Black	Pearly White
	CODE			Bright Blue	Gray Metallic	Black	Pearly White
	PARTS NAME	PARTS NO.	VERSION	PB107CA	NH202MA	NH001SA	NH193PA
1	SKIRT R SIDE	64305-LEJ2-E10	0	DG3	D26	D01	D25
2	SKIRT L SIDE	64306-LEJ2-E10	0				
3	CARRIER RR	81200-LEJ3-E10	0	N1A			
4	FENDER FR	61100-LEJ2-E10	0	BAP		N1P	
5	COVER FR	64301-LEJ2-E10	1	N1P			
6	TOP FRONT COVER	64309-LEJ2-E10	0				
7	COVER R SIDE B	83520-LEJ2-E10	0				
8	COVER L SIDE B	83620-LEJ2-E10	0				
9	COVER HANDLE FR	53205-LEJ2-E10	4	BAP	NYP	N1P	NVP
10	MOLE R SIDE	64302-LEJ2-E10	0				
11	MOLDINGL SIDE	64303-LEJ2-E10	0				
12	COVER R BODY	83500-LEJ2-E10	0	BAP	NYP	N1P	R9P
13	COVER L BODY	83600-LEJ2-E10	0				
14	COVER RR CENTER	83750-LEJ2-E10	0				
15	WHEEL ASSY RR	42600-LEJ3-E10	0	16A	NEA		
16	"WHEEL CAST,RR"	42601-LEJ2-E10	0				
17	WHEEL ASSSY FR	44600-LEJ3-E10	0				
18	WHEEL CAST FR	44601-LEJ3-E10	0				
19	FORK ASSY RH FR	51400-LEJ2-E10	1				
20	BOTTOM CASE RH	51420-LEJ2-E10	0				
21	FORK ASSY LH FR	51500-LEJ2-E10	1				
22	BOTTOM CASE LH	51520-LEJ2-E10	0				
23	MIRROR ASSY R BACK	88110-LEB5-C10	1	NEA			
24	MIRROR ASSY L BACK	88120-LEB5-C10	1	NEA			
25	STOPPER LUGGAGE	81133-KGBG-9000	0	NH268			
DATE OF STARTING-SALES							
DATE OF END-SALES							

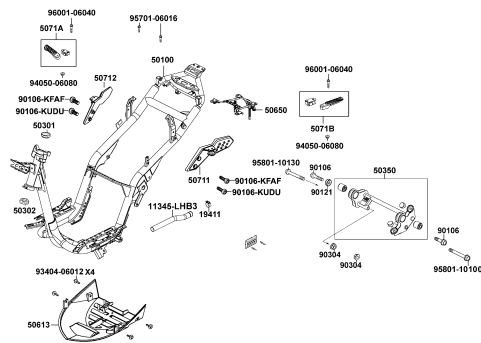
NO	MODEL			COLOR CHART OF KF10AA(FL)			
	PHOTO NO			NO. 5			
	BASIC COLOR			Bright Red			
	CODE			Bright Red			
	PARTS NAME	PARTS NO.	VERSION	RR136PA			
1	SKIRT R SIDE	64305-LEJ2-E10	0	DDT			
2	SKIRT L SIDE	64306-LEJ2-E10	0				
3	CARRIER RR	81200-LEJ3-E10	0	N1A			
4	FENDER FR	61100-LEJ2-E10	0	R9P			
5	COVER FR	64301-LEJ2-E10	1	N1P			
6	TOP FRONT COVER	64309-LEJ2-E10	0				
7	COVER R SIDE B	83520-LEJ2-E10	0				
8	COVER L SIDE B	83620-LEJ2-E10	0				
9	COVER HANDLE FR	53205-LEJ2-E10	4	R9P			
10	MOLE R SIDE	64302-LEJ2-E10	0				
11	MOLDINGL SIDE	64303-LEJ2-E10	0				
12	COVER R BODY	83500-LEJ2-E10	0				
13	COVER L BODY	83600-LEJ2-E10	0				
14	COVER RR CENTER	83750-LEJ2-E10	0				
15	WHEEL ASSY RR	42600-LEJ3-E10	0	NEA			
16	"WHEEL CAST,RR"	42601-LEJ2-E10	0				
17	WHEEL ASSY FR	44600-LEJ3-E10	0				
18	WHEEL CAST FR	44601-LEJ3-E10	0				
19	FORK ASSY RH FR	51400-LEJ2-E10	1				
20	BOTTOM CASE RH	51420-LEJ2-E10	0				
21	FORK ASSY LH FR	51500-LEJ2-E10	1				
22	BOTTOM CASE LH	51520-LEJ2-E10	0				
23	MIRROR ASSY R BACK	88110-LEB5-C10	1				
24	MIRROR ASSY L BACK	88120-LEB5-C10	1				
25	STOPPER LUGGAGE	81133-KGBG-9000	0	NH268			
DATE OF STARTING-SALES							
DATE OF END-SALES							

CONTENTS - FRAME GROUP

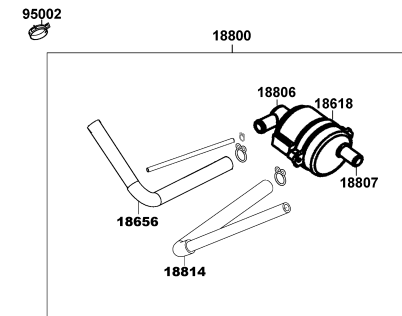
F19 Wire Harness



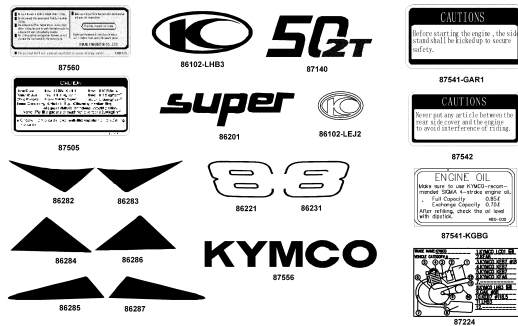
F20 Frame Body



F21 Air Cleaner Two

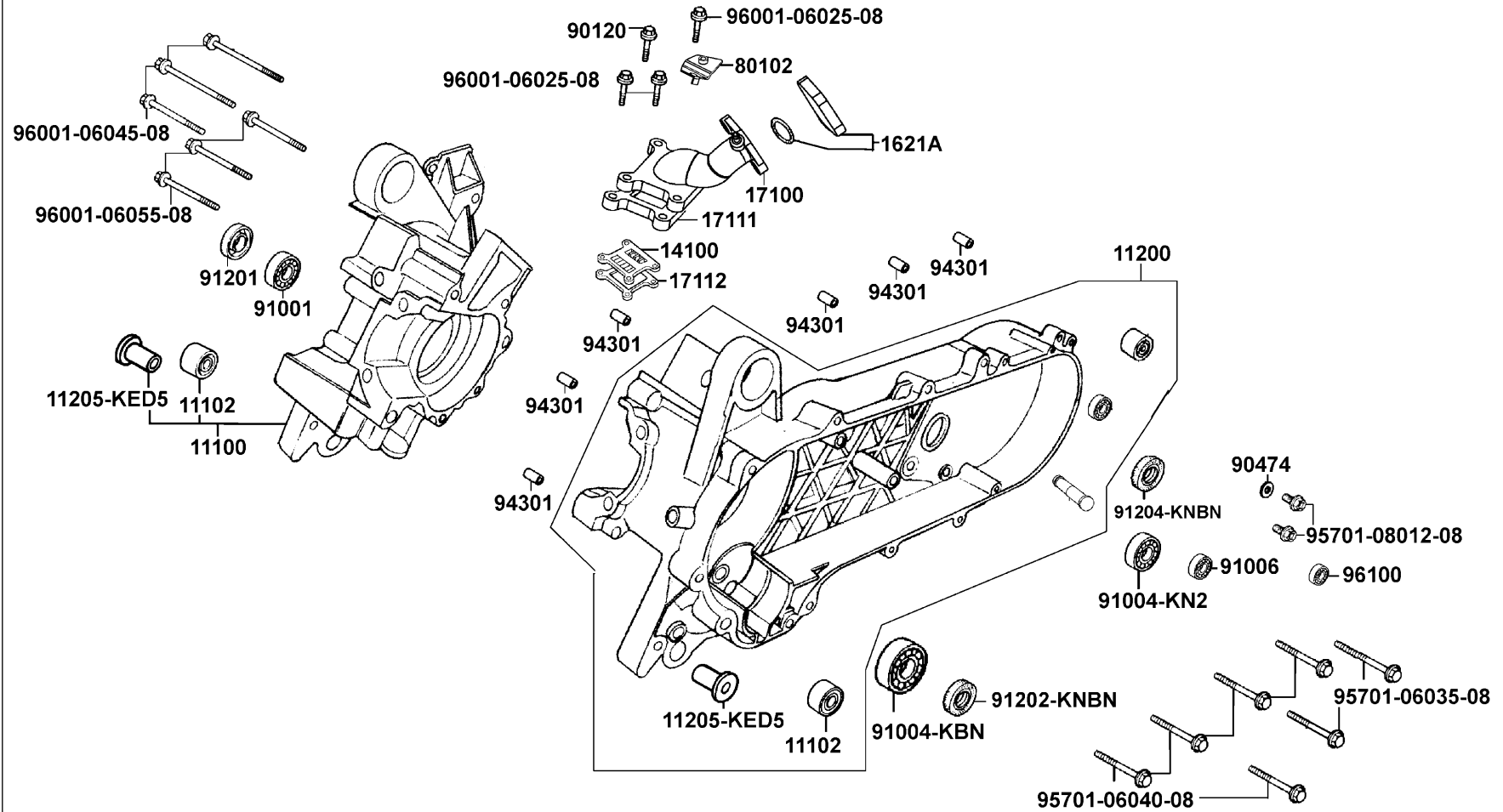


F22 Emblem Stripe



E01

Crank Case

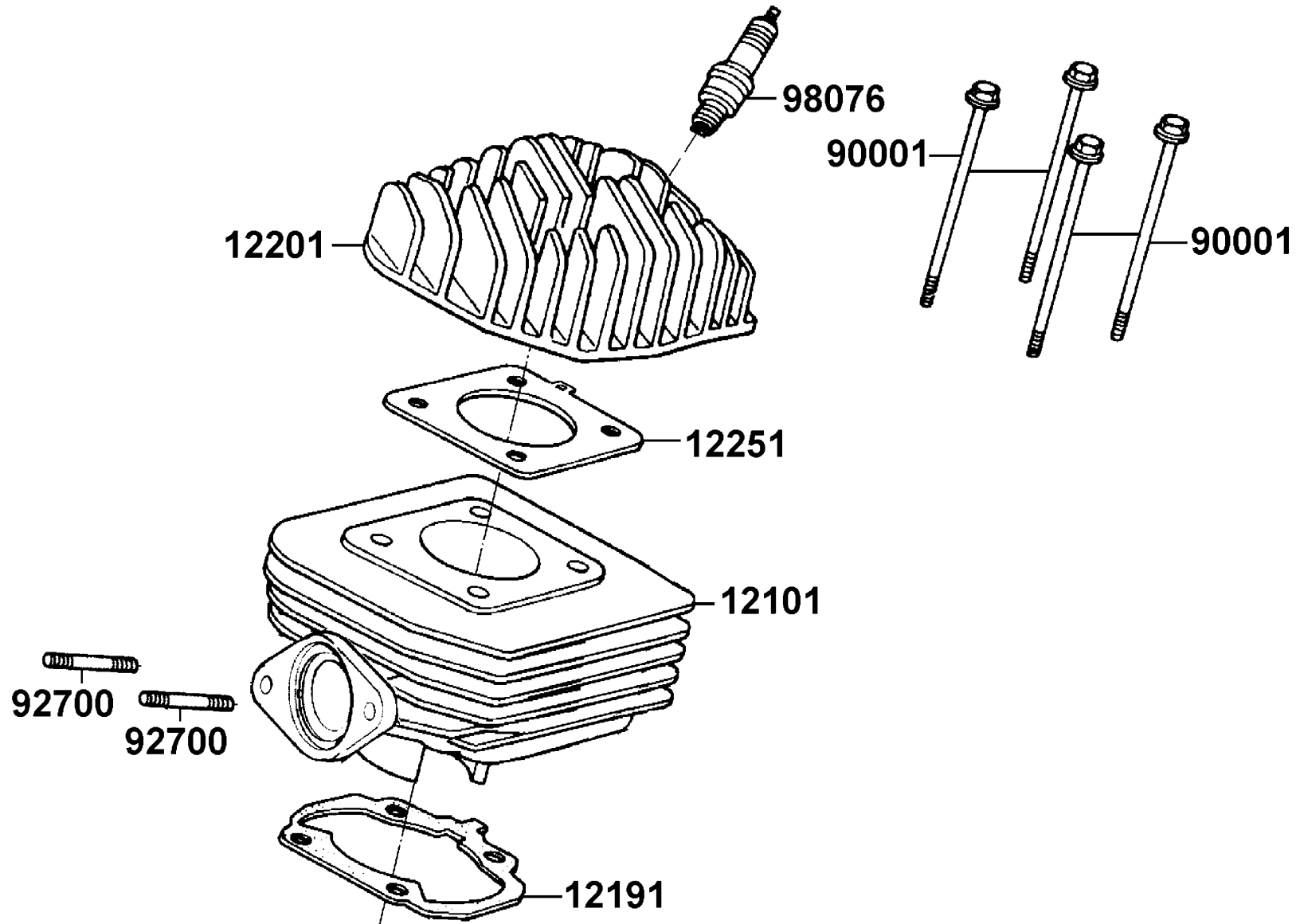


Sales mark	Ref no	Part no	Description	Reg description	Regd no	E01
	11102	11102-1G87-C00	RUB BUSH ENG HANGER	RUB BUSH ENG HANGER	1	
	11200	11200-KFA6-900	CRANK CASE COMP LEFT	CRANK CASE COMP LEFT	1	
	11205	11205-KED5-C00	BUSH M STAND	BUSH M STAND	1	
	1621A	1621A-GKAK-901	INSULATOR CARB ASSY	INSULATOR CARB ASSY	1	
	17100	17100-KEB7-901	PIPE COMP INLET	PIPE COMP INLET	1	
	17111	17111-KEB7-900	GASKET INLET PIPE A	GASKET INLET PIPE A	1	
	17112	17112-KEB7-900	GASKET INLET PIPE B	GASKET INLET PIPE B	1	
	80102	80102-LCD1-E00	STAY A RR TIRE FENDER	STAY A RR TIRE FENDER	1	
	90120	90120-GAR1-J00	SOCKET BOLT SPECIAL 6*28	SOCKET BOLT SPECIAL 6*28	1	
	90474	90474-3C33-001	WASHER 8MM	WASHER 8MM	1	
	91001	91001-GLW0-90A	BRG BALL RADIAL 6204 SPECIAL	BRG BALL RADIAL 6204 SPECIAL	1	
	91004-KBN2	91004-KBN2-90A	BRG BALL RADIAL 6201	BRG BALL RADIAL 6201	1	
	91004-KNBN	91004-KNBN-92A	BRG BALL RADIAL 6203 SPC 17*40*12	BRG BALL RADIAL 6203 SPC 17*40*12	1	
	91006	91006-KNBN-901	BRG BALL RADIAL 25*56*12	BRG BALL RADIAL 25*56*12	1	
	91201	91201-KNBN-92A	OIL SEAL 15.6*25.5*7	OIL SEAL 15.6*25.5*7	1	
	91202	91202-KNBN-92A	OIL SEAL 20*31*7	OIL SEAL 20*31*7	1	
	91204	91204-KNBN-90A	OIL SEAL 17*30*6	OIL SEAL 17*30*6	1	
	94301	94301-10200	DOWEL PIN 10*20	DOWEL PIN 10*20	6	
	95701-06035	95701-06035-08	BOLT FLANGE SH 6*35	BOLT FLANGE SH 6*35	0	
	95701-06040	95701-06040-08	BOLT FLANGE 6*40	BOLT FLANGE 6*40	0	

Sales mark	Ref no	Part no	Description	Reg description	Regd no	E01
	95701-08012	95701-08012-08	BOLT FLANGE 8*12	BOLT FLANGE 8*12	2	
	96001-06025	96001-06025-08	BOLT FLANGE SH 6*25	BOLT FLANGE SH 6*25	3	
	96001-06045	96001-06045-08	BOLT FLANGE SH 6*45	BOLT FLANGE SH 6*45	3	
	96001-06055	96001-06055-08	BOLT FLANGE SH 6*55	BOLT FLANGE SH 6*55	3	
	96100	96100-62033-00	BEARING BALL RADIAL 6203	BEARING BALL RADIAL 6203	1	

E02

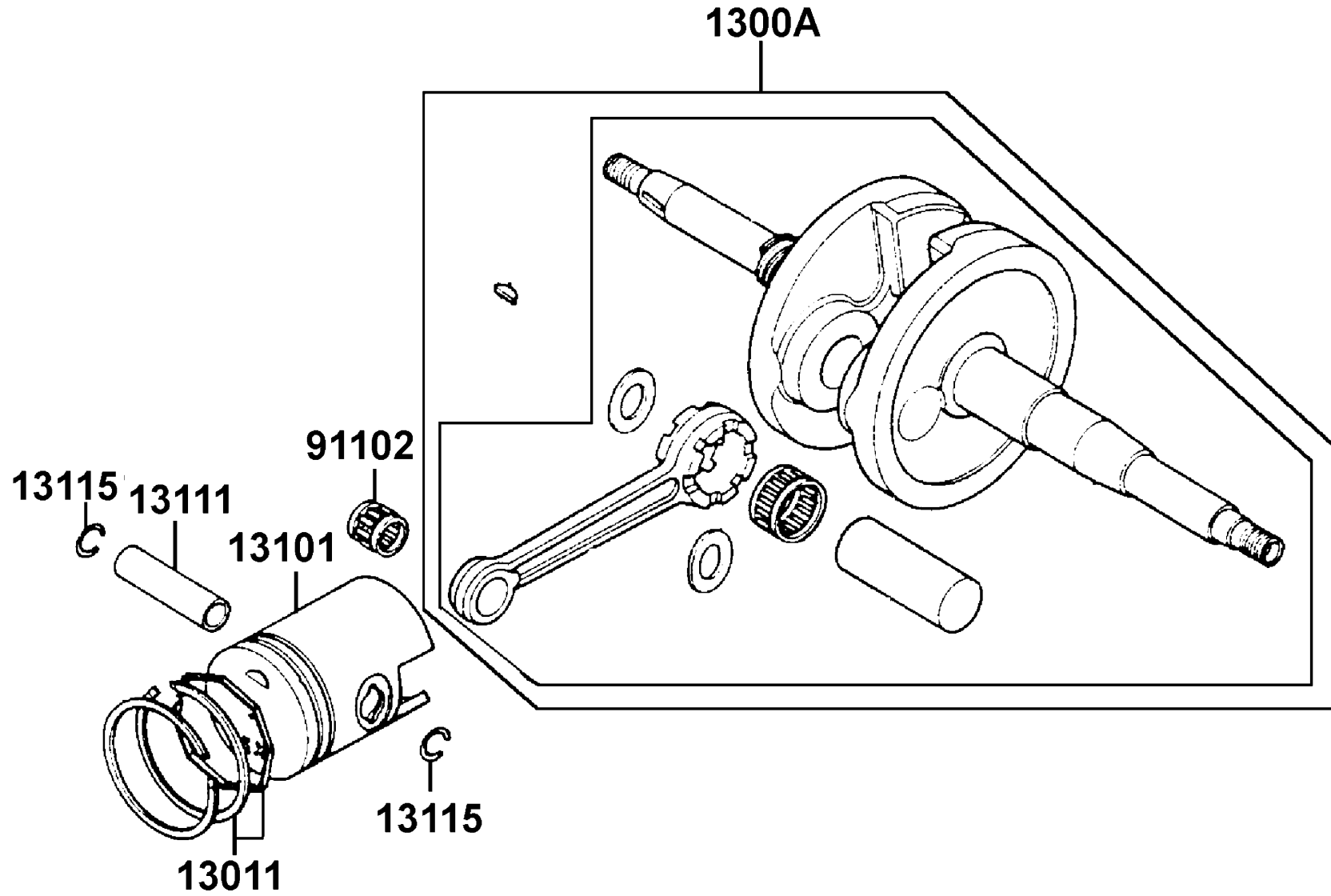
Cylinder Head



Sales mark	Ref no	Part no	Description	Reg description	Regd no	E02
	12101	12101-KEB7-C00	CYLINDER	CYLINDER	1	
	12191	12191-KEB7-C00	GASKET CYLINDER @A	GASKET CYLINDER @A	1	
	12201	12201-KEB7-C00	HEAD CYLINDER	HEAD CYLINDER	1	
	12251	12251-KEB7-C00	GASKET CYLINDER HEAD	GASKET CYLINDER HEAD	1	
	90001	90001-GKAK-901	BOLT FLANGE 7*100	BOLT FLANGE 7*100	4	
	92700	92700-06028-1B	BOLT STUD 6*28	BOLT STUD 6*28	2	
	98076	98076-5871G-00	SPARK PLUG (BR8HSA)	SPARK PLUG (BR8HSA)	1	

E03

Cylinder Piston Crankshaft

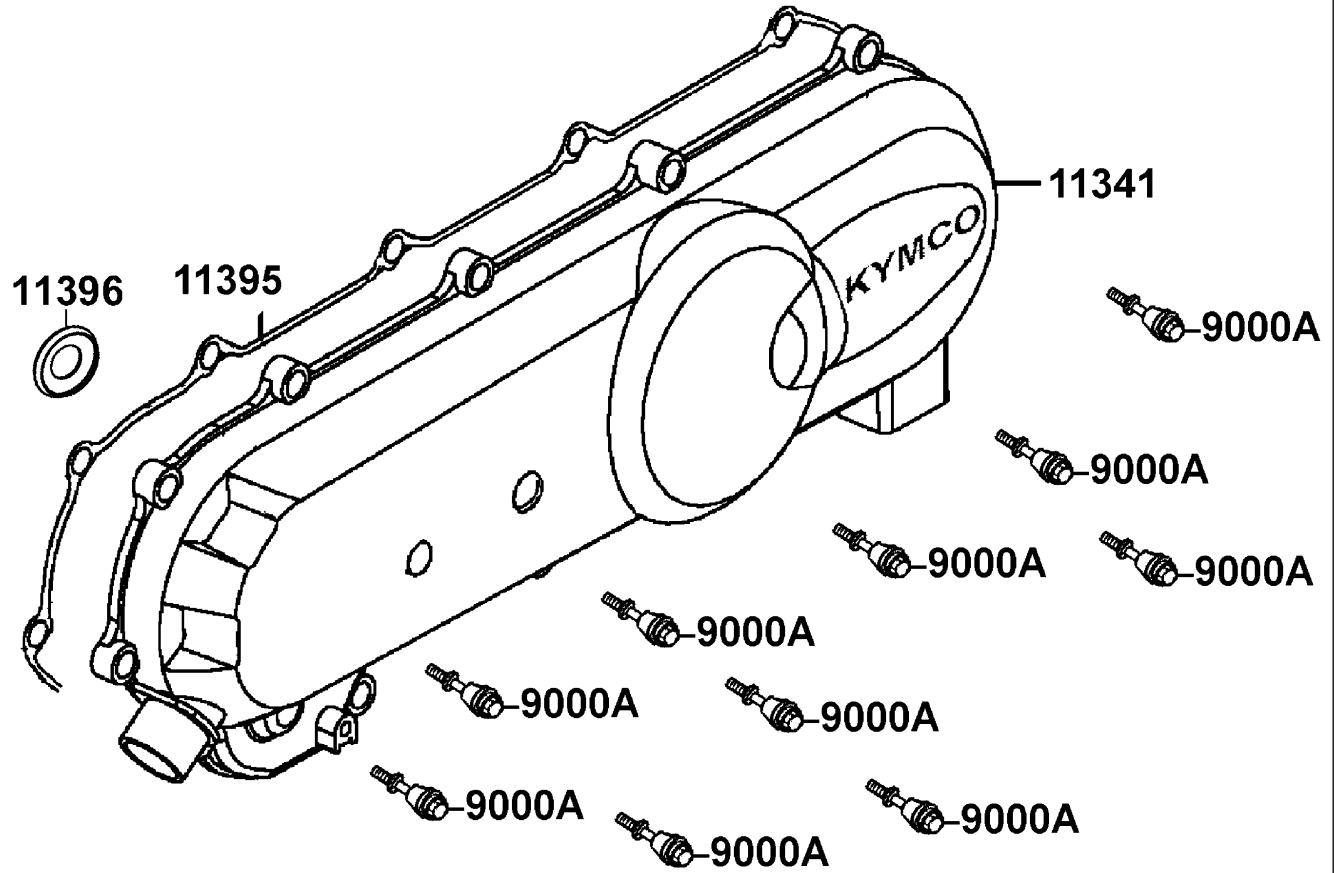


Sales mark	Ref no	Part no	Description	Reg description	Regd no	E03
	1300A	1300A-GKAK-920	CRANK SHAFT ASSY	CRANK SHAFT ASSY	1	
	13011	13011-GLW0-90A	PISTON RING SET	PISTON RING SET	1	
	13101	13101-GLW0-901	PISTON	PISTON	1	
	91102	91102-GLW0-009	BRG CON-ROD S. E.	BRG CON-ROD S. E.	1	

E04

Right Crankcase Cover

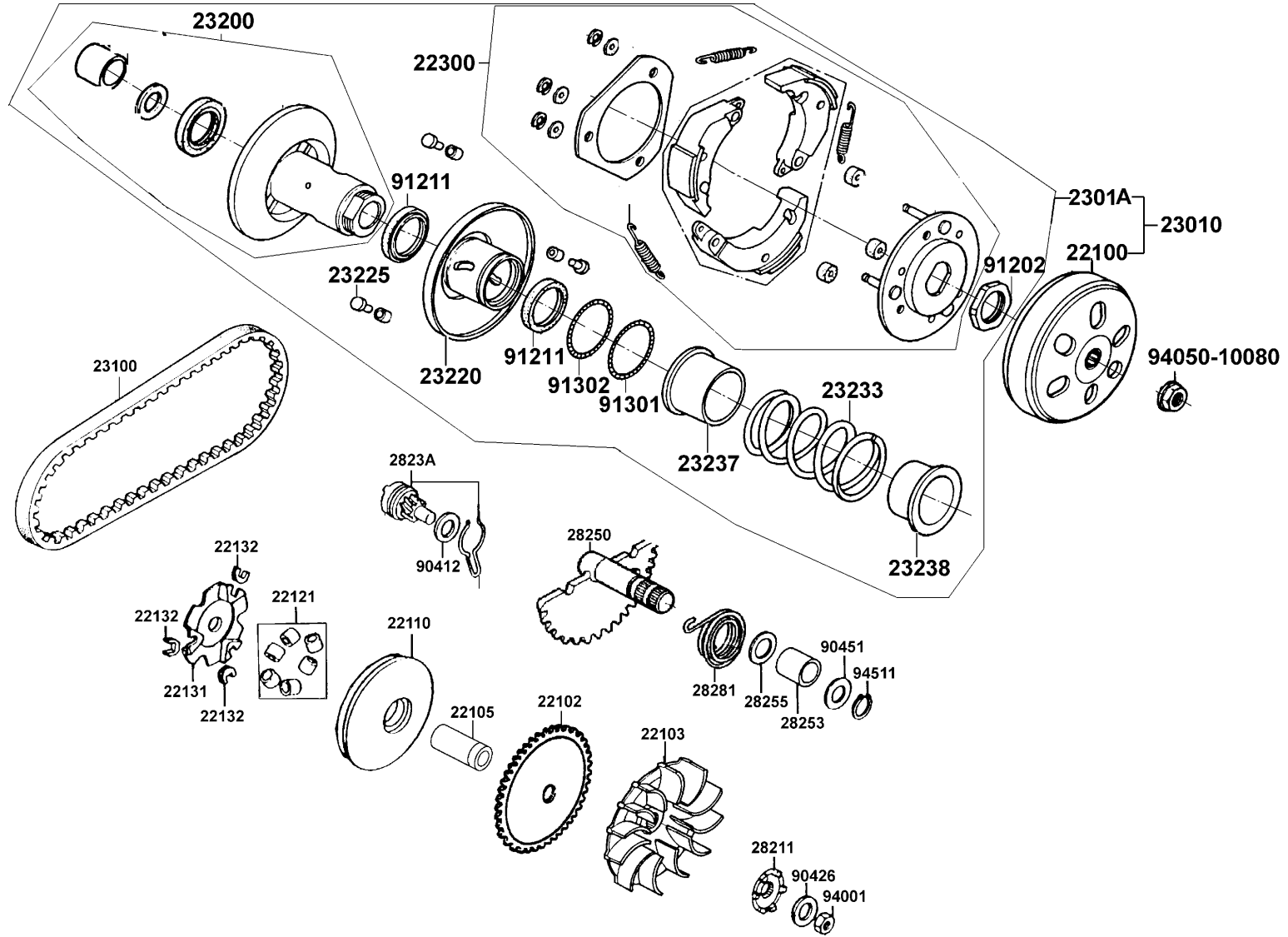
11205-GHAH



Sales mark	Ref no	Part no	Description	Reg description	Regd no	E04
	11205	11205-GHAH-C00	BUSH 8*12*8	BUSH 8*12*8	1	
	11395	11395-KFA6-C00	GASKET L COVER	GASKET L COVER	1	
	11396	11396-KFA6-C00	GASKET L COVER	GASKET L COVER	1	
	9000A	9000A-KTDT-900	BOLT ASSY SPECIAL 6*29.5	BOLT ASSY SPECIAL 6*29.5	10	

E05

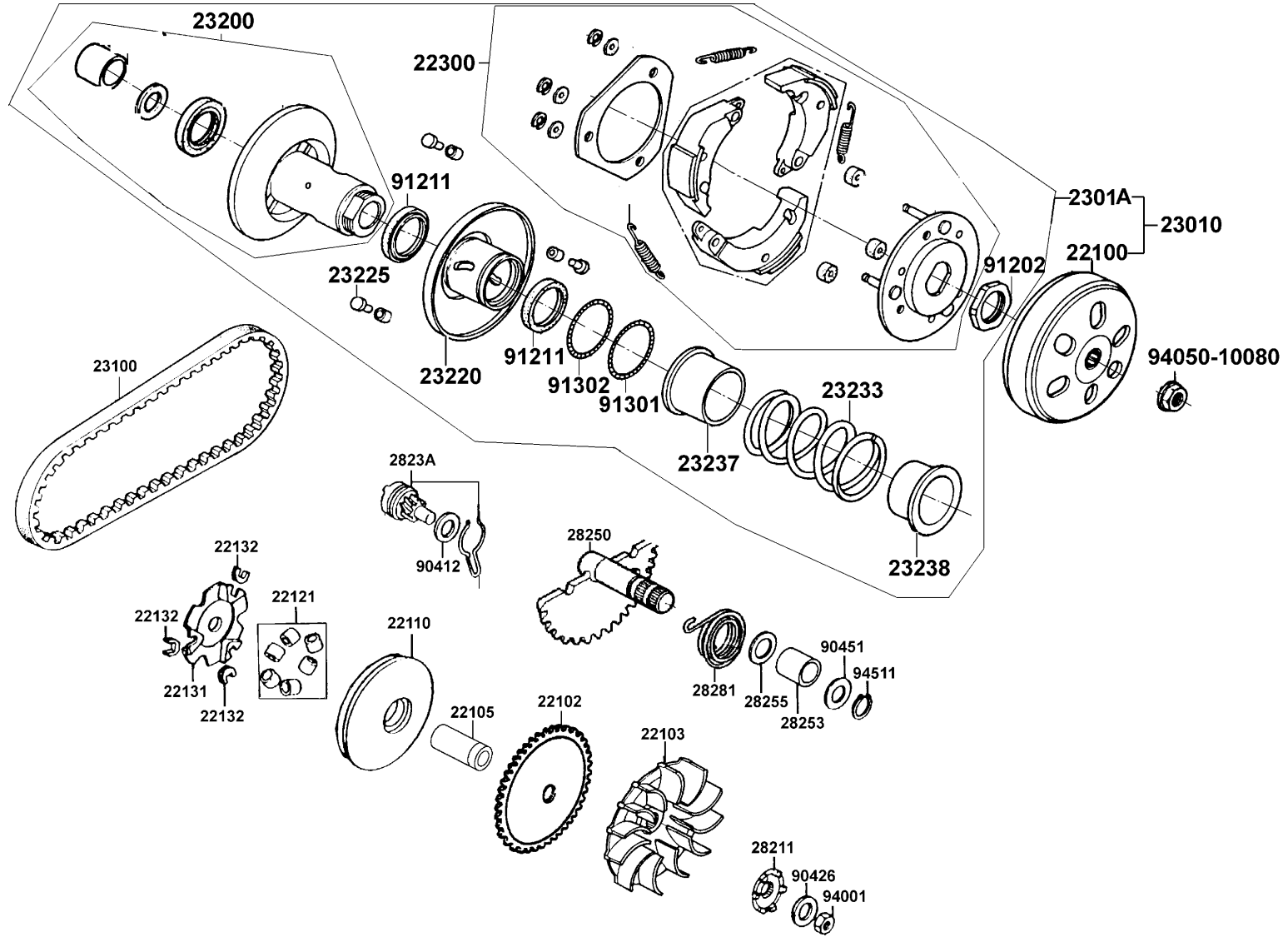
Driven Pulley



Sales mark	Ref no	Part no	Description	Reg description	Regd no	E05
22100		22100-GAR1-751	CLUTCH OUTER	CLUTCH OUTER	1	
22102		22102-KEB7-900	FACE DRIVE	FACE DRIVE	1	
22103		22103-KEB7-900	FAN CVT COOLING	FAN CVT COOLING	1	
22105		22105-KEB7-E00	BOSS DRIVE FACE	BOSS DRIVE FACE	1	
22110		22110-KFA1-220	FACE COMP MOVABLE DRIVE	FACE COMP MOVABLE DRIVE	1	
22121		22121-GLW0-901	ROLLER COMP WEIGHT 8.5 gr	ROLLER COMP WEIGHT 8.5 gr	6	
22131		22131-GHAH-781	PLATE RAMP	PLATE RAMP	1	
22132		22132-GLW0-001	PIECE SLIDE	PIECE SLIDE	3	
22300		22300-KXCX-900	PLATE ASSY DRIVE	PLATE ASSY DRIVE	1	
23010		23010-KEB7-220	PULLEY ASSY DRIVEN	PULLEY ASSY DRIVEN	1	
2301A		2301A-KEB7-220	PULLEY SUB ASSY	PULLEY SUB ASSY	1	
23100		23100-KEB7-900	BELT DRIVE	BELT DRIVE	1	
23200		23200-GAR1-220	FACE ASSY DRIVEN	FACE ASSY DRIVEN	1	
23220		23220-GKAK-220	FACE COMP MOVABLE DRIVEN	FACE COMP MOVABLE DRIVEN	1	
23225		23225-GAR1-751	PIN GUIDE	PIN GUIDE	3	
23233		23233-GHE8-001	SPG DRIVEN FACE	SPG DRIVEN FACE	1	
23237		23237-GAR1-220	COLLAR SEAL	COLLAR SEAL	1	
23238		23238-GGS7-011	COLLAR SPG	COLLAR SPG	1	
28211		28211-KEB7-900	RATCHET KICK STARTER	RATCHET KICK STARTER	1	
2823A		2823A-GKAK-900	GEAR ASSY KICK DRIVEN	GEAR ASSY KICK DRIVEN	1	

E05

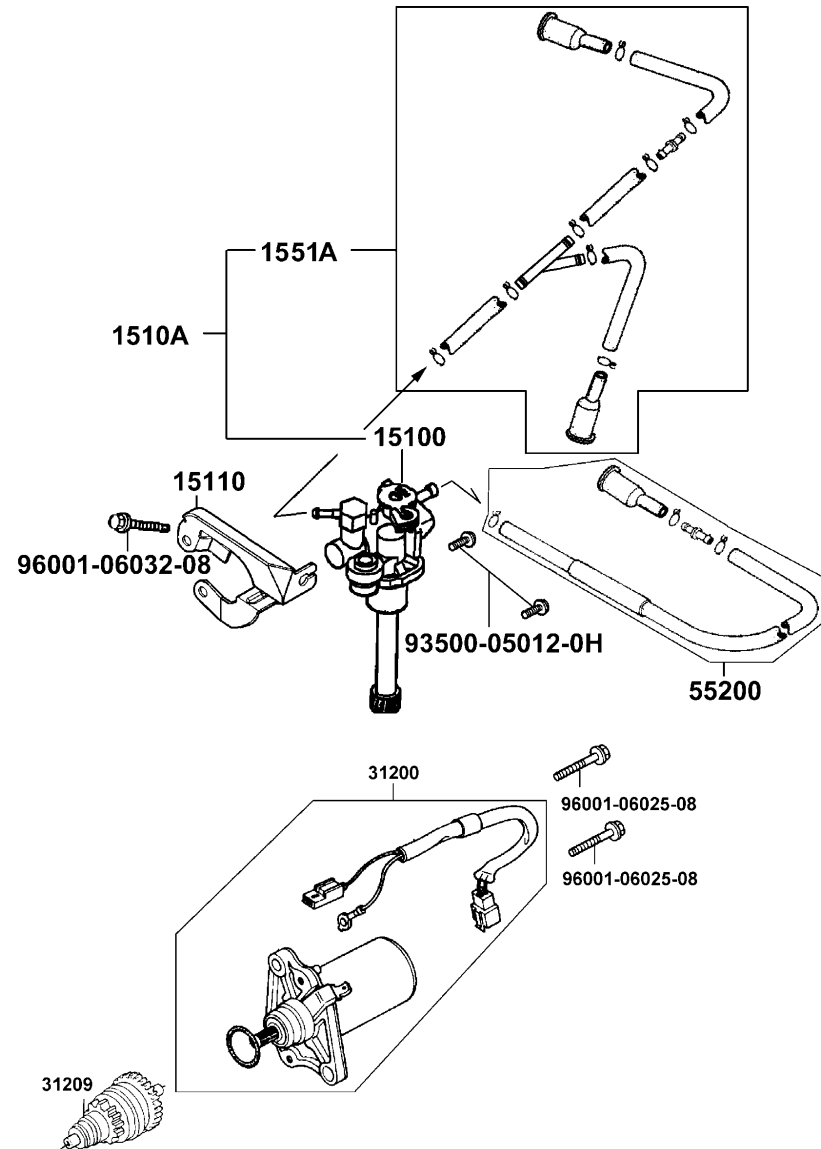
Driven Pulley



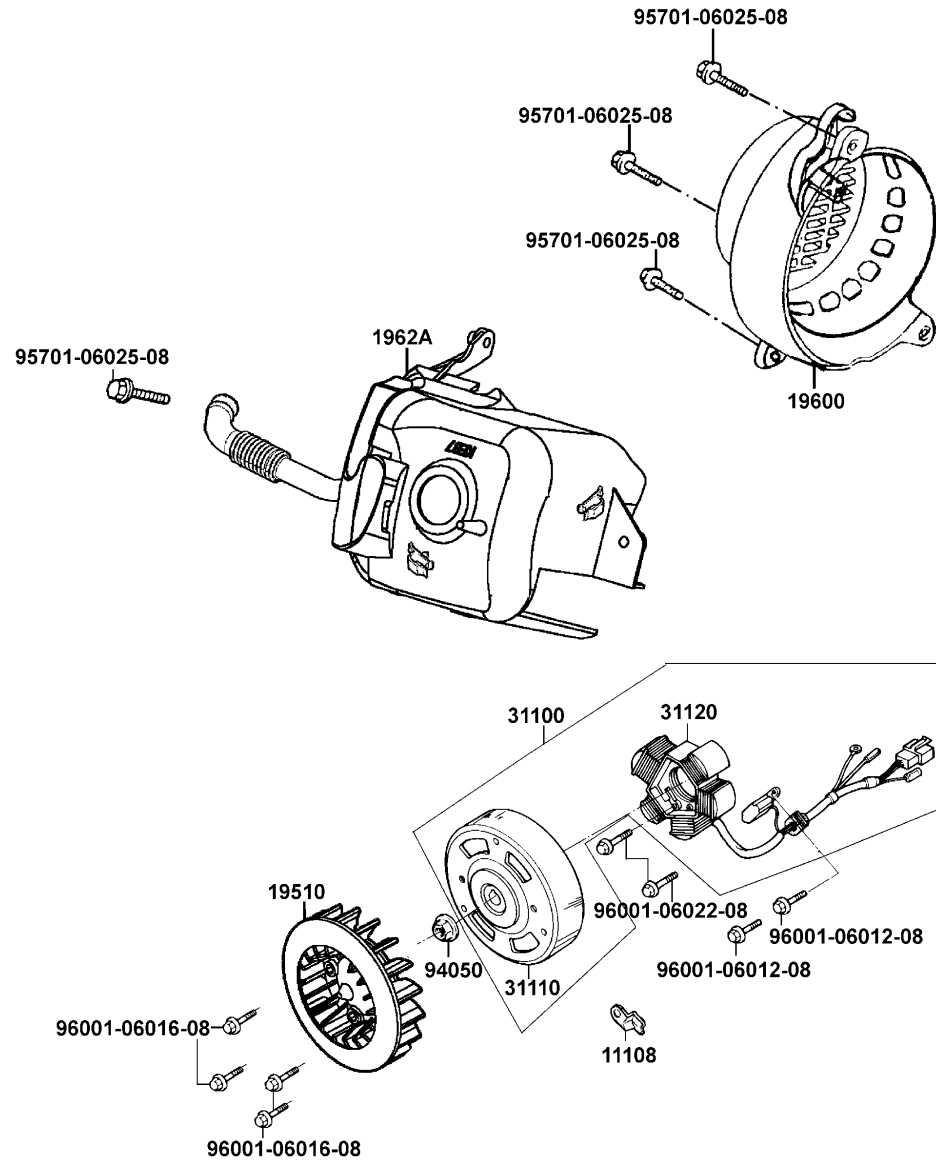
Sales mark	Ref no	Part no	Description	Reg description	Regd no	E05
	28250	28250-KCCC-900	SPINDLE COMP KICK STARTER	SPINDLE COMP KICK STARTER	1	
	28253	28253-GBN2-60A	BUSH KICK SPINDLE	BUSH KICK SPINDLE	1	
	28255	28255-GFS6-001	COLLAR KICK BOSS	COLLAR KICK BOSS	1	
	28281	28281-GBN2-60A	SPRING KICK RETURN	SPRING KICK RETURN	1	
	90412	90412-3K29-001	WASHER THRUST10MM	WASHER THRUST10MM	1	
	90426	90426-KNBN-901	WASHER SPECIAL 12MM	WASHER SPECIAL 12MM	1	
	90451	90451-GBN2-601	WASHER KICK SPINDLE	WASHER KICK SPINDLE	1	
	91202	91202-KNBN-92A	OIL SEAL 20*31*7	OIL SEAL 20*31*7	0	
	91211	91211-GHK8-014	OIL SEAL 34*39*3	OIL SEAL 34*39*3	2	
	91301	91301-KEA5-742	O-RING 36*1.5	O-RING 36*1.5	1	
	91302	91302-PAK9-004	O-RING 39.8*2.2	O-RING 39.8*2.2	1	
	94001	94001-12280-0S	NUT HEX 12MM	NUT HEX 12MM	1	
	94050	94050-10080	NUT FLANGE 10MM	NUT FLANGE 10MM	1	
	94511	94511-14000	CIRCLIP EX 14	CIRCLIP EX 14	1	

E06

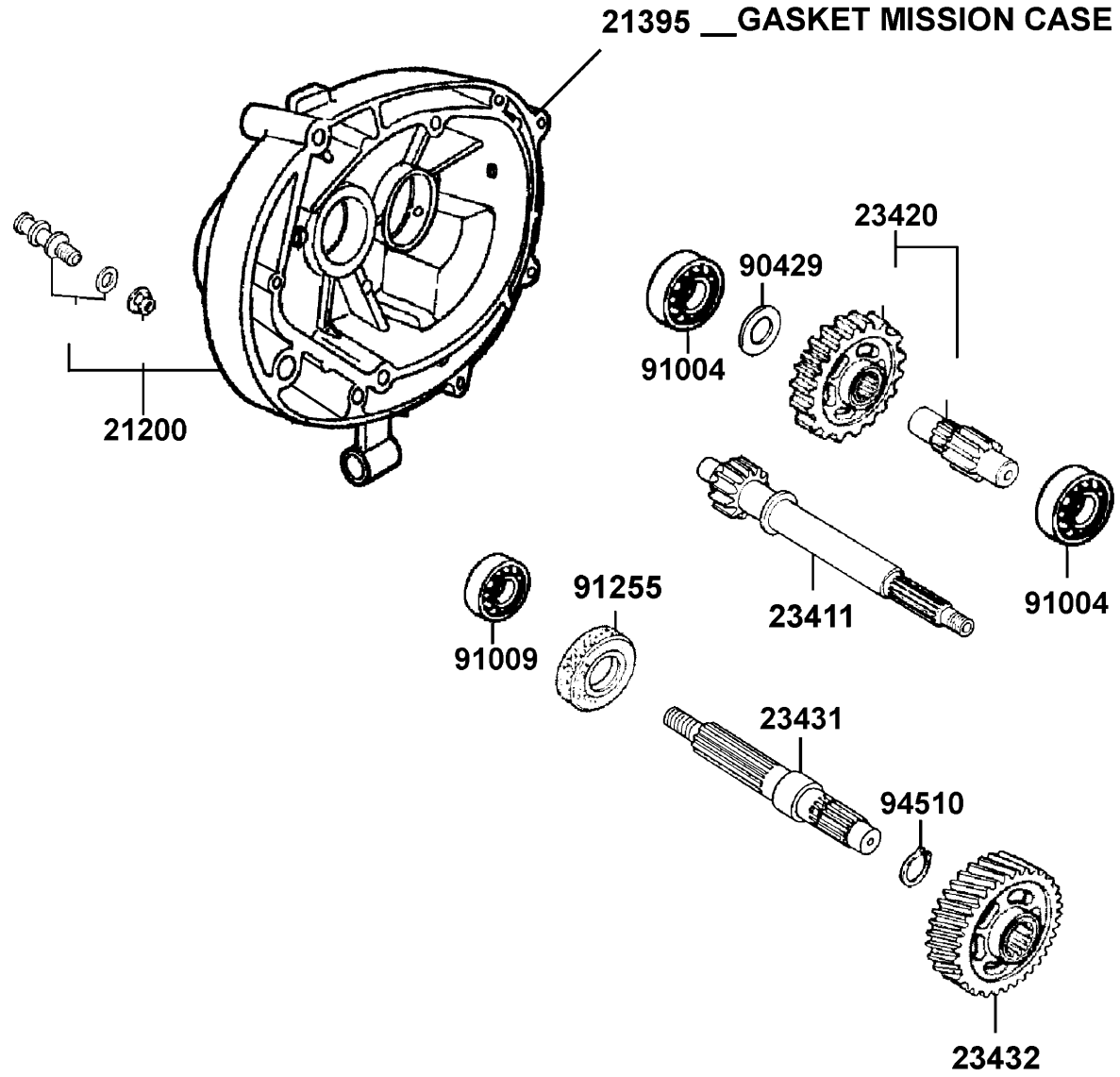
Starting Motor Oil Pump



Sales mark	Ref no	Part no	Description	Reg description	Regd no	E06
15100		15100-KEB7-E00	PUMP ASSY OIL	PUMP ASSY OIL	1	
1510A		1510A-LCD1-E00	OIL PUMP ASSY	OIL PUMP ASSY	1	
15110		15110-KEB7-900	PLATE OIL PUMP SET	PLATE OIL PUMP SET	1	
1551A		1551A-LCD1-E00	TUBE ASSY OIL PUMP ASSY	TUBE ASSY OIL PUMP ASSY	1	
31200		31200-LHB3-E10	MOTOR ASSY START	MOTOR ASSY START	0	
31209		31209-GKAK-901	PINION ASSY STARTER	PINION ASSY STARTER	0	
55200		55200-LCD1-E00	TUBE ASSY OIL	TUBE ASSY OIL	1	
93500		93500-05012-0H	SCREW PAN 5*12	SCREW PAN 5*12	2	
96001-06025		96001-06025-08	BOLT FLANGE SH 6*25	BOLT FLANGE SH 6*25	0	
96001-06032		96001-06032-08	BOLT FLANGE SH 6*32	BOLT FLANGE SH 6*32	1	



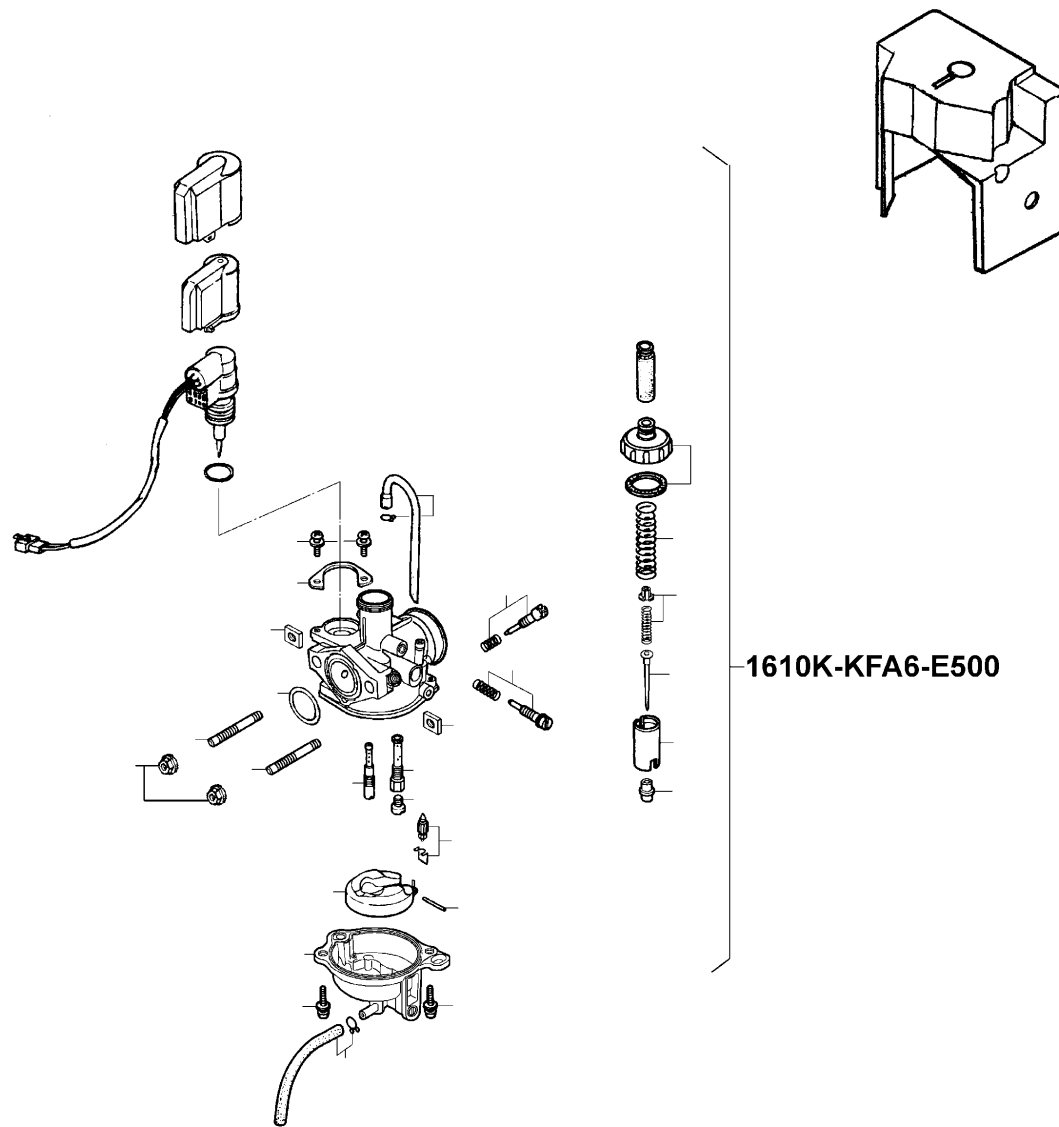
Sales mark	Ref no	Part no	Description	Reg description	Regd no	E07
	11108	11108-KEB7-C00	HOLDER STATOR WIRE	HOLDER STATOR WIRE	1	
	19510	19510-GBW2-901	FAN COMP COOLING	FAN COMP COOLING	1	
	19600	19600-KEB7-900	COVER COMP FAN	COVER COMP FAN	1	
	1962A	1962A-KEB7-E00	CLIP SET SHROUD	CLIP SET SHROUD	1	
	31100	31100-LHB3-E10	AC GEN ASSY	AC GEN ASSY	1	
	31110	31110-KEB7-90A	FLYWHEEL COMP	FLYWHEEL COMP	1	
	31120	31120-LHB3-E10	STATOR COMP.	STATOR COMP.	1	
	94050	94050-10080	NUT FLANGE 10MM	NUT FLANGE 10MM	1	
	95701	95701-06025-08	BOLT FLANGE 6*25	BOLT FLANGE 6*25	4	
	96001-06012	96001-06012-08	BOLT FLANGE 6*12	BOLT FLANGE 6*12	2	
	96001-06016	96001-06016-08	BOLT FLANGE SH 6*16	BOLT FLANGE SH 6*16	4	
	96001-06022	96001-06022-08	BOLT FLANGE SH 6*22	BOLT FLANGE SH 6*22	2	



Sales mark	Ref no	Part no	Description	Reg description	Regd no	E08
21200		21200-KFA6-900	CASE COMP MISSION	CASE COMP MISSION	1	
21395		21395-KFA6-900	GASKET MISSION CASE A	GASKET MISSION CASE A	1	
23411		23411-KFA6-900	SHAFT DRIVE	SHAFT DRIVE	1	
23420		23420-KFA6-900	SHAFT COMP COUNTER	SHAFT COMP COUNTER	1	
23431		23431-LHB3-C00	SHAFT FINAL	SHAFT FINAL	1	
23432		23432-KFA6-900	GEAR FINAL	GEAR FINAL	1	
90429		90429-KNBN-901	WASHER SIDE 12MM	WASHER SIDE 12MM	1	
91004		91004-KBN2-90A	BRG BALL RADIAL 6201	BRG BALL RADIAL 6201	2	
91009		91009-GLE0-004	BRG BALL RADIAL 6004 UU	BRG BALL RADIAL 6004 UU	1	
91255		91255-GLE0-004	OIL SEAL 27*42*7	OIL SEAL 27*42*7	1	
94510		94510-20000	CIR CLIP EX 20	CIR CLIP EX 20	1	

E09

Carburetor

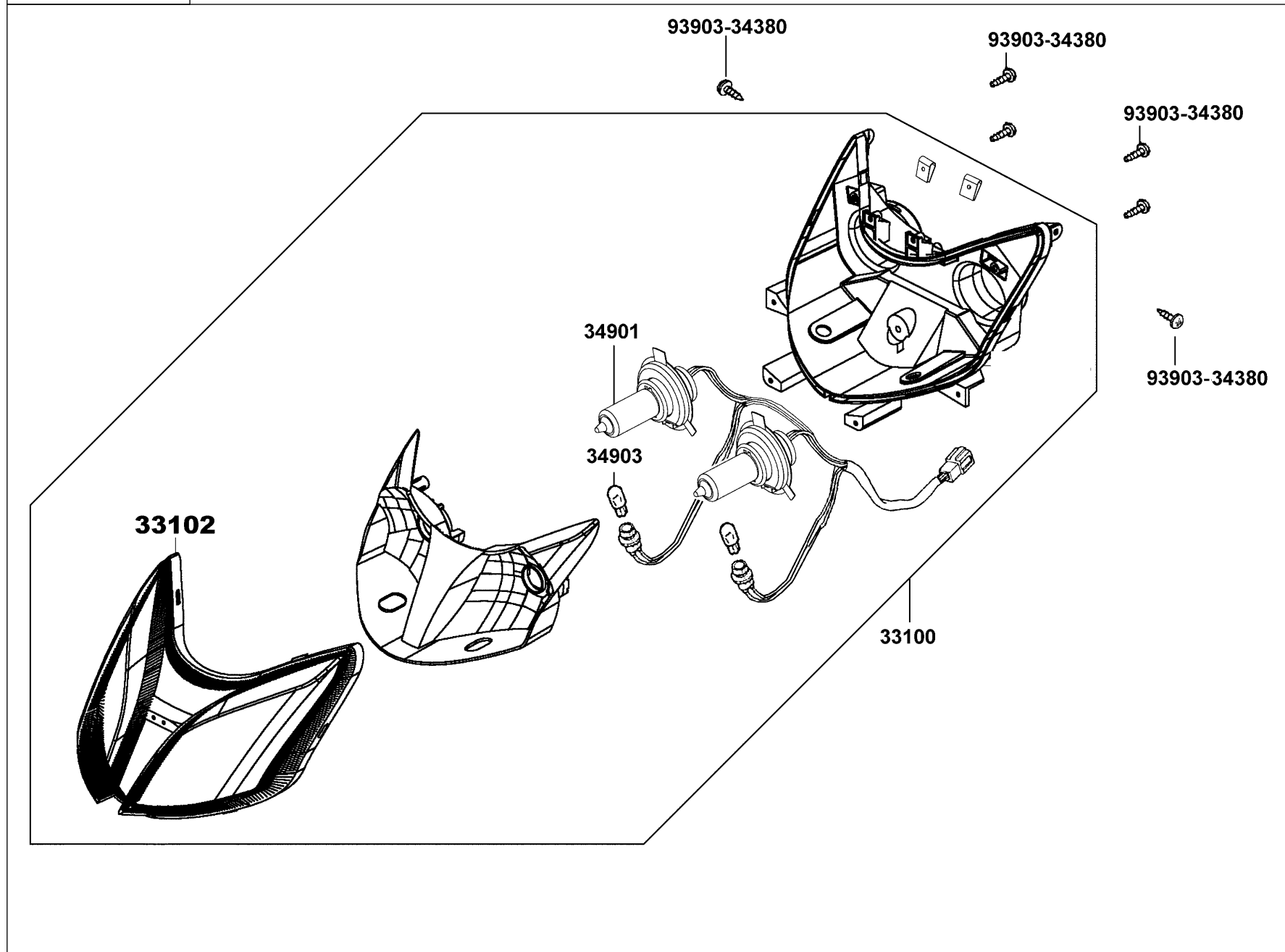


Sales mark	Ref no	Part no	Description	Reg description	Regd no	E09
------------	--------	---------	-------------	-----------------	---------	------------

1610K	1610K-KFA6-E05	CARBURETOR ASSY	CARBURETOR ASSY		1	
-------	----------------	-----------------	-----------------	--	---	--

F01

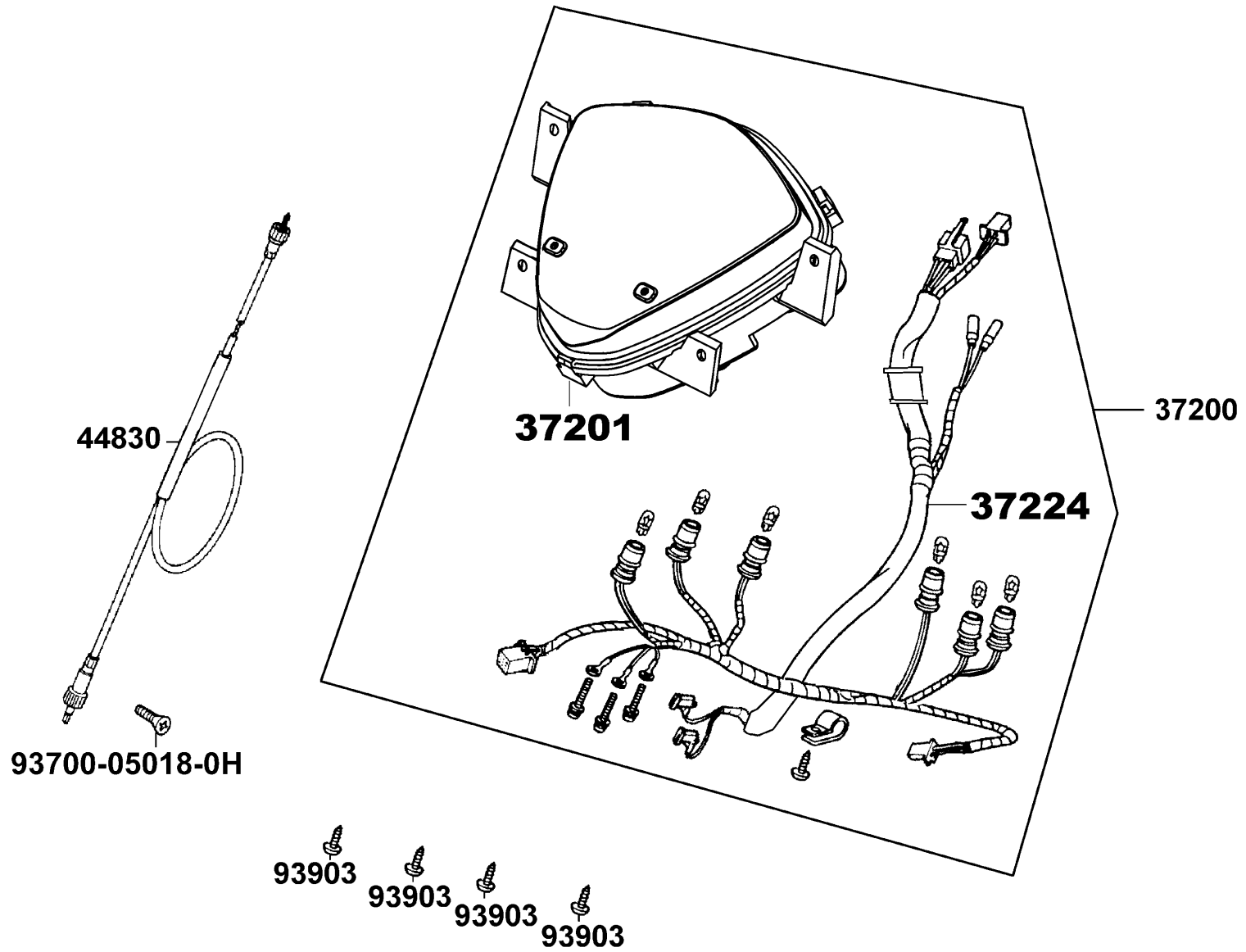
Head Light



Sales mark	Ref no	Part no	Description	Reg description	Regd no	F01
	33100	33100-LHB3-E10	LIGHT ASSY HEAD	LIGHT ASSY HEAD	1	
	33102	33102-LHB3-E10	LENS HEAD LIGHT	LENS HEAD LIGHT	1	
	34901	34901-LDC8-E10	BULB HEAD LIGHT	BULB HEAD LIGHT	2	
	34903	34903-LDC8-E10	BULB POSITION	BULB POSITION	2	
	93903-34380	93903-34380	SCREW TAPPING 4*12	SCREW TAPPING 4*12	6	

F02

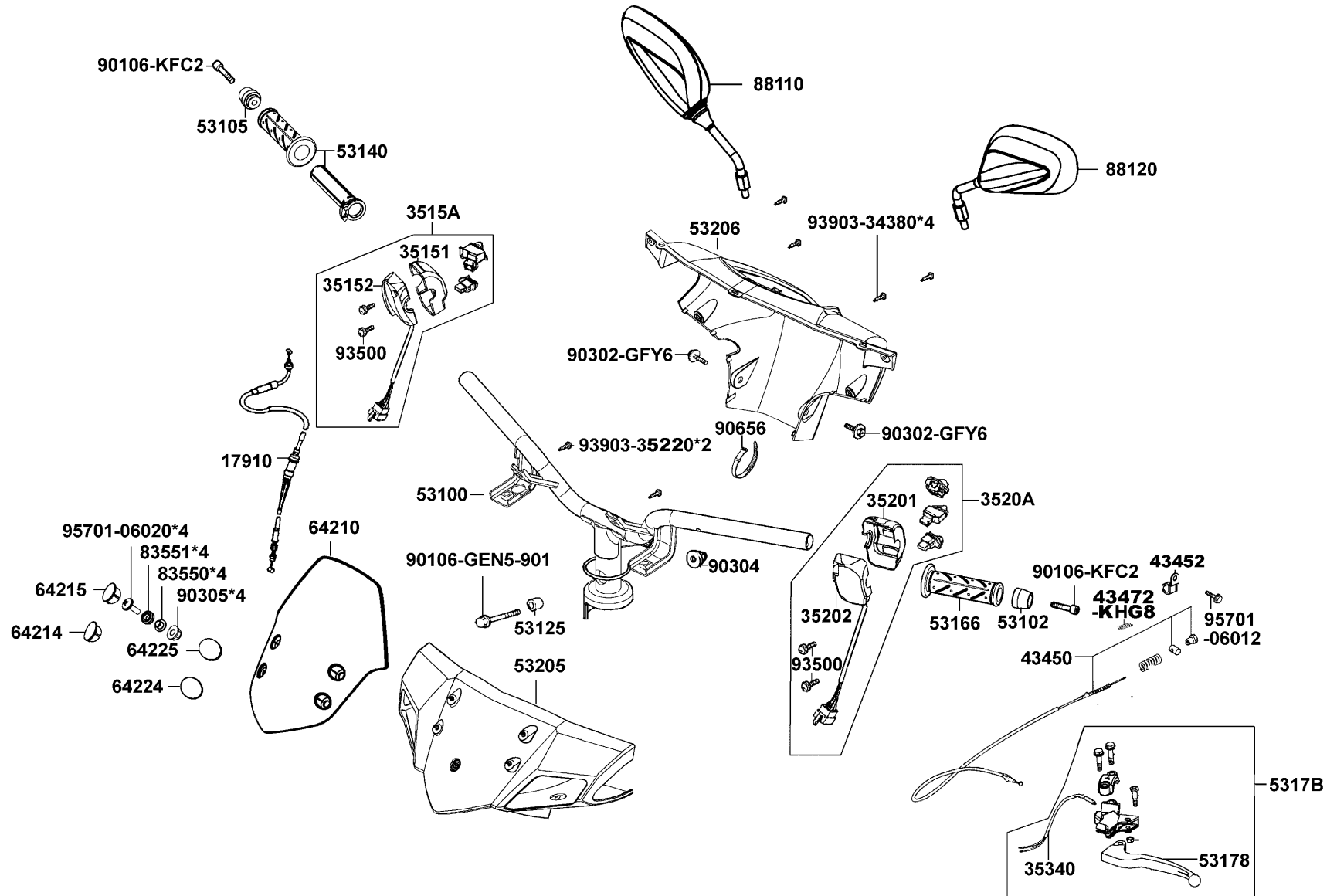
Speedometer



Sales mark	Ref no	Part no	Description	Reg description	Regd no	F02
	37200	37200-LHB3-E1A	METER ASSY SPEED	METER ASSY SPEED	1	
	37201	37201-LHB3-E1A	DIAL DESGIN SP & FUEL	DIAL DESGIN SP & FUEL	1	
	37224	37224-LHB3-E10	SOCKET COMP METER	SOCKET COMP METER	1	
	44830	44830-LCD3-E00	CABLE COMP SPDMT	CABLE COMP SPDMT	1	
	93700	93700-05018-0H	SCREW OVAL 5*18	SCREW OVAL 5*18	1	
	93903	93903-35220	SCREW TAPPING 5*12	SCREW TAPPING 5*12	0	

F03

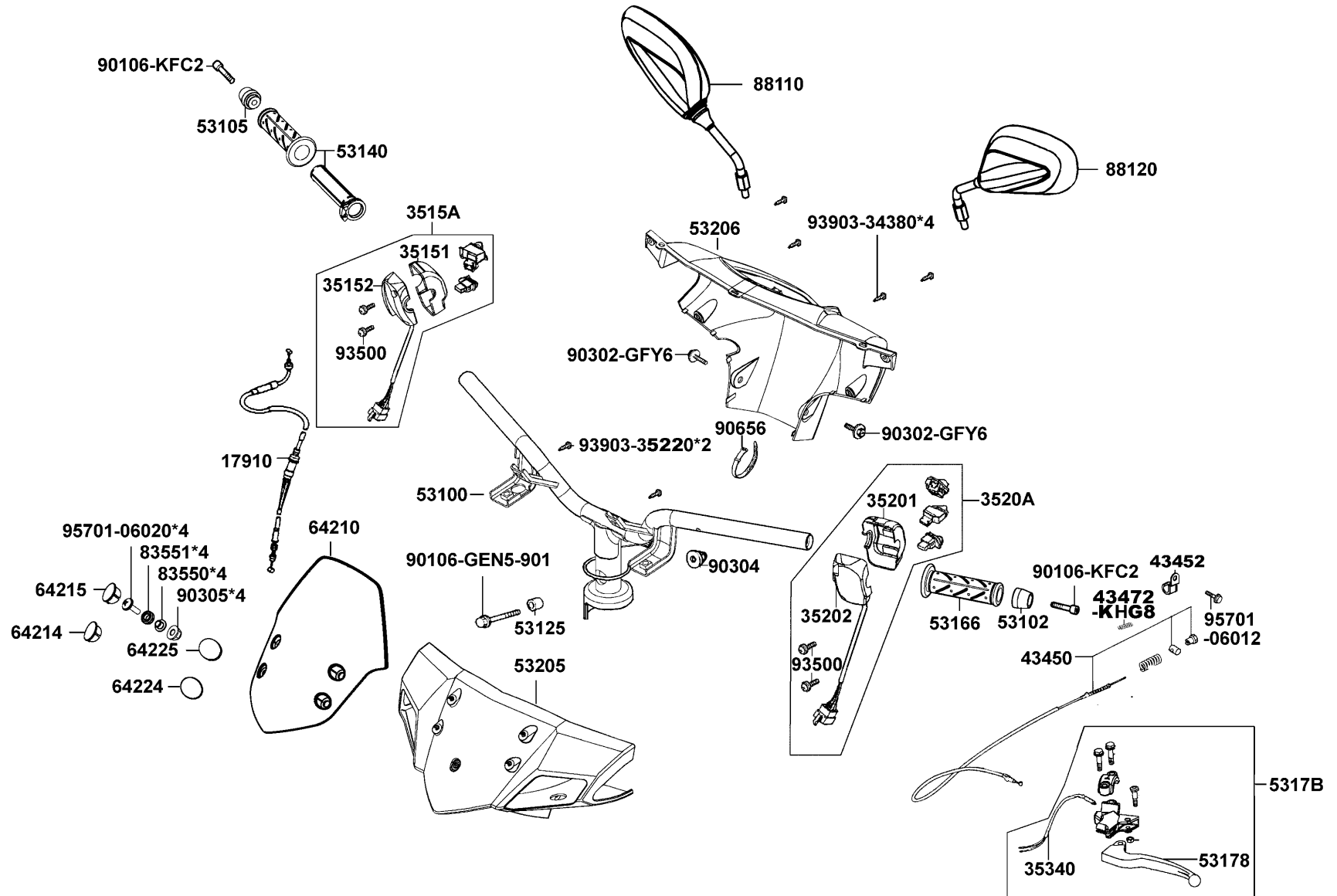
Handle Steering Handle Cover



Sales mark	Ref no	Part no	Description	Reg description	Regd no	F03
	17910	17910-LHB3-E10	CABLE COMP THROT	CABLE COMP THROT	1	
	35151	35151-LGB5-E10	FR CASE RH HNDL COMP SW	FR CASE RH HNDL COMP SW	1	
	35152	35152-KGBG-900	RR CASE RH HNDL COMP SW	RR CASE RH HNDL COMP SW	1	
	3515A	3515A-LGB5-E10	SW ASSY RH HNDL COMP	SW ASSY RH HNDL COMP	1	
	35201	35201-LGB5-E10	FR CASE LH HNDL COMP SW	FR CASE LH HNDL COMP SW	1	
	35202	35202-KGBG-900	RR CASE LH HNDL COMP SW	RR CASE LH HNDL COMP SW	1	
	3520A	3520A-LEJ2-E10	SW ASSY LH HANDLE COMP	SW ASSY LH HANDLE COMP	1	
	35340	35340-KKJ9-010	SW ASSY FR STOP	SW ASSY FR STOP	1	
	43450	43450-LHB3-E10	CABLE COMP RR BRK	CABLE COMP RR BRK	1	
	43452	43452-GKAK-901	CLAMP BRK CABLE	CLAMP BRK CABLE	1	
	43472-KHG8	43472-KHG8-001	SPG RR BRK ARM	SPG RR BRK ARM	1	
	53100	53100-LEJ2-E10	HANDLE COMP STRG	HANDLE COMP STRG	1	
	53102	53102-KEC8-900	END L STRG HANDLE	END L STRG HANDLE	1	
	53105	53105-LBB5-E00	END R STRG HANDLE	END R STRG HANDLE	1	
	53125	53125-GEN5-901	COLLAR HANDLE SET	COLLAR HANDLE SET	1	
	53140	53140-LEJ2-E10	GRIP COMP THROT	GRIP COMP THROT	1	
	53166	53166-LEJ2-E10	GRIP L HANDLE	GRIP L HANDLE	1	
	53178	53178-LCD1-E00	LEVER STEERING HANDLE	LEVER STEERING HANDLE	1	
	5317B	5317B-LCD1-E00	BRACKET ASSY HANDLE LH	BRACKET ASSY HANDLE LH	1	
**	53205	53205-LEJ2-E10	COVER HANDLE FR	COVER HANDLE FR	1	

F03

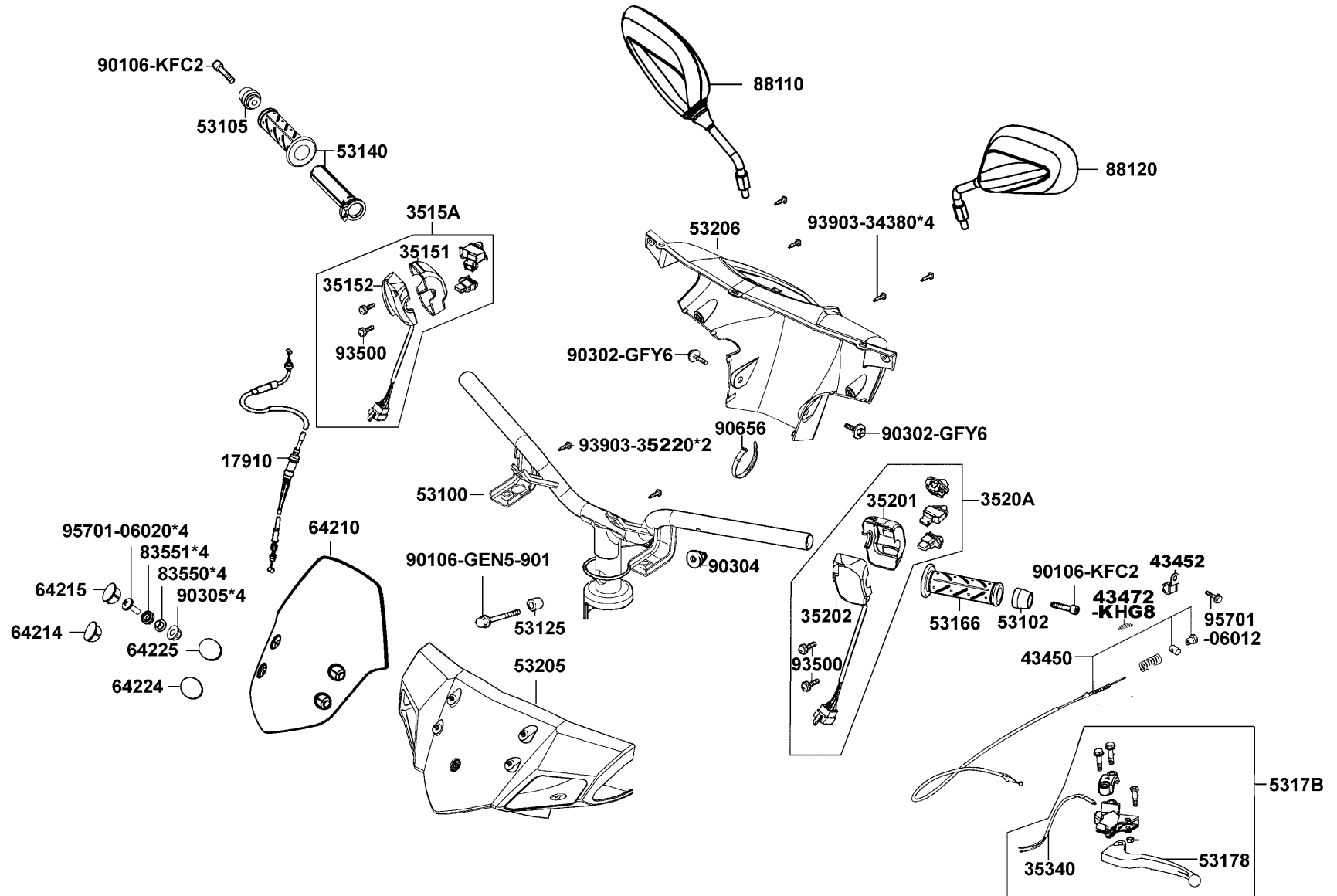
Handle Steering Handle Cover



Sales mark	Ref no	Part no	Description	Reg description	Regd no	F03
	53206	53206-LEJ2-E10	COVER HANDLE RR	COVER HANDLE RR	1	
	64210	64210-LEJ2-E10	ASSY METER VISOR	ASSY METER VISOR	1	
	64214	64214-LEJ2-E10	COVER R UP VISOR	COVER R UP VISOR	1	
	64215	64215-LEJ2-E10	COVER R DOWN VISOR	COVER R DOWN VISOR	1	
	64224	64224-LEJ2-E10	COVER L UP VISOR	COVER L UP VISOR	1	
	64225	64225-LEJ2-E10	COVER L DOWN VISOR	COVER L DOWN VISOR	1	
	83550	83550-KEC8-900	COLLAR	COLLAR	4	
	83551	83551-KEC8-900	GROMMET COVER	GROMMET COVER	4	
**	88110	88110-LEB5-C10	MIRROR ASSY R BACK	MIRROR ASSY R BACK	1	
**	88120	88120-LEB5-C10	MIRROR ASSY L BACK	MIRROR ASSY L BACK	1	
	90106-GEN5	90106-GEN5-901	BOLT FLANGE 10*50	BOLT FLANGE 10*50	1	
	90106-KFC2	90106-KFC2-900	BOLT WASH 8MM	BOLT WASH 8MM	2	
	90302	90302-GFY6-901	BOLT WASH 5*12	BOLT WASH 5*12	2	
	90304	90304-GHE8-004	NUT U 10MM	NUT U 10MM	1	
	90305	90305-GHK8-001	NUT CLIP 6MM	NUT CLIP 6MM	4	
	90656	90656-GFY6-911	BAND OIL HOSE	BAND OIL HOSE	1	
	93500	93500-05025	SCREW PAN 5*25	SCREW PAN 5*25	4	
	93903-34380	93903-34380	SCREW TAPPING 4*12	SCREW TAPPING 4*12	4	
	93903-35220	93903-35220	SCREW TAPPING 5*12	SCREW TAPPING 5*12	2	
	95701-06012	95701-06012-08	BOLT FLANGE 6*12	BOLT FLANGE 6*12	1	

F03

Handle Steering Handle Cover



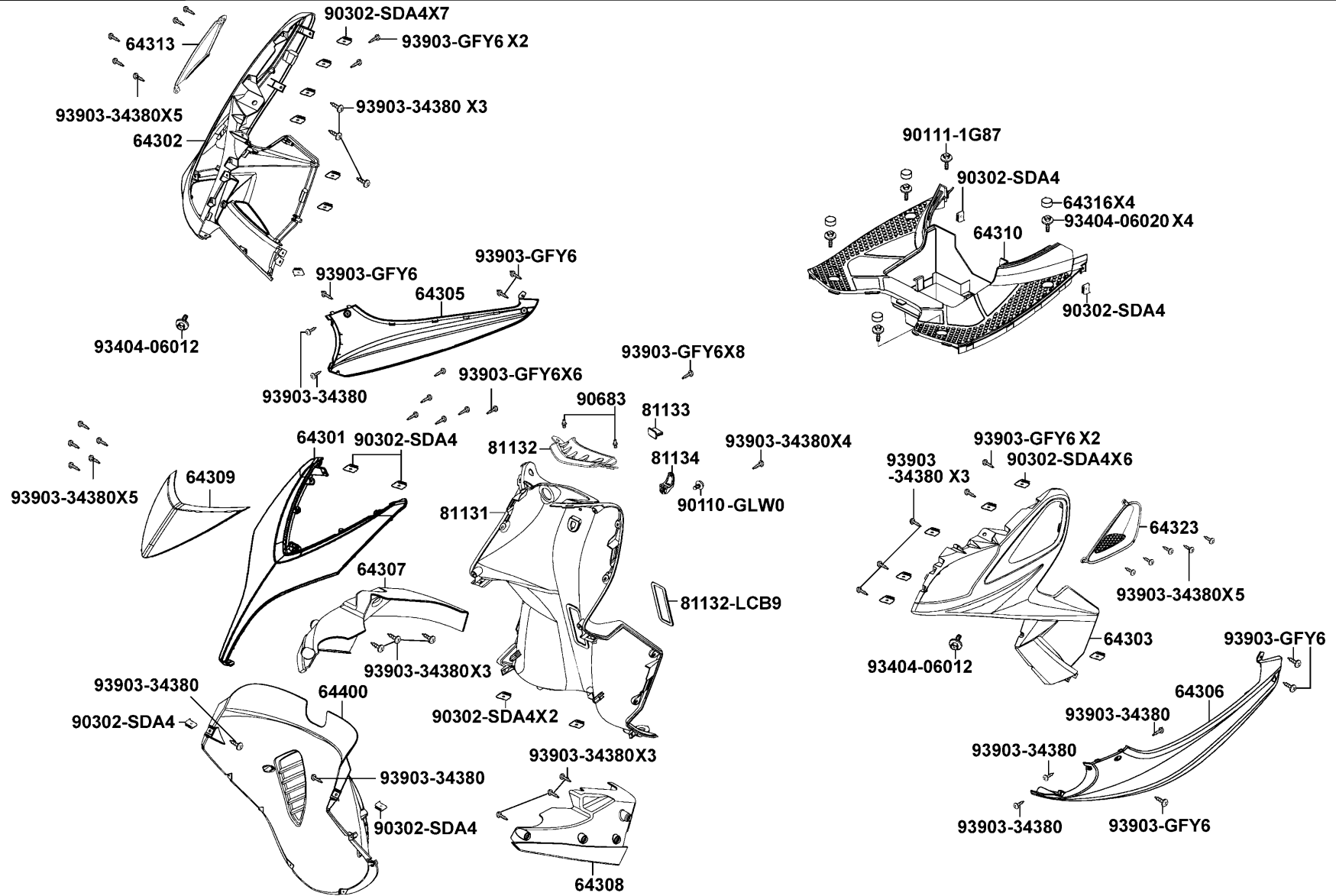
Sales mark	Ref no	Part no	Description	Reg description	Regd no	F03
------------	--------	---------	-------------	-----------------	---------	------------

	95701-06020	95701-06020-08	SCREW FLANGE 6*20	SCREW FLANGE 6*20	4	
--	-------------	----------------	-------------------	-------------------	---	--

Sales mark	Ref no	Part no	Description	Reg description	Regd no	F04
	32101	32101-GFY6-901	SUB CORD R/H	SUB CORD R/H	1	
	45105	45105-LEJ2-E10	PAD COMPA	PAD COMPA	1	
	45106	45106-LEJ2-E10	PAD COMPB	PAD COMPB	1	
	45126	45126-LEJ2-E10	HOSE ASSY FR BRK	HOSE ASSY FR BRK	1	
	45200	45200-LEJ2-E1B	CALIPER ASSY FR LH	CALIPER ASSY FR LH	1	
	45500	45500-LDC8-E10	M/C ASSY FR	M/C ASSY FR	1	
	4550B	4550B-LEJ2-E10	SUB ASSY FR BRK	SUB ASSY FR BRK	1	
	45517	45517-KFAF-910	HOLDER M/C	HOLDER M/C	1	
	90131	90131-GLW0-911	BOLT FLANGE 8*35	BOLT FLANGE 8*35	2	
	90145	90145-9A61-011	OIL BOLT 10*22	OIL BOLT 10*22	2	
	90545	90545-3L00-001	WASHER OIL BOLT	WASHER OIL BOLT	4	
	96001-06022	96001-06022-08	BOLT FLANGE SH 6*22	BOLT FLANGE SH 6*22	0	

F05

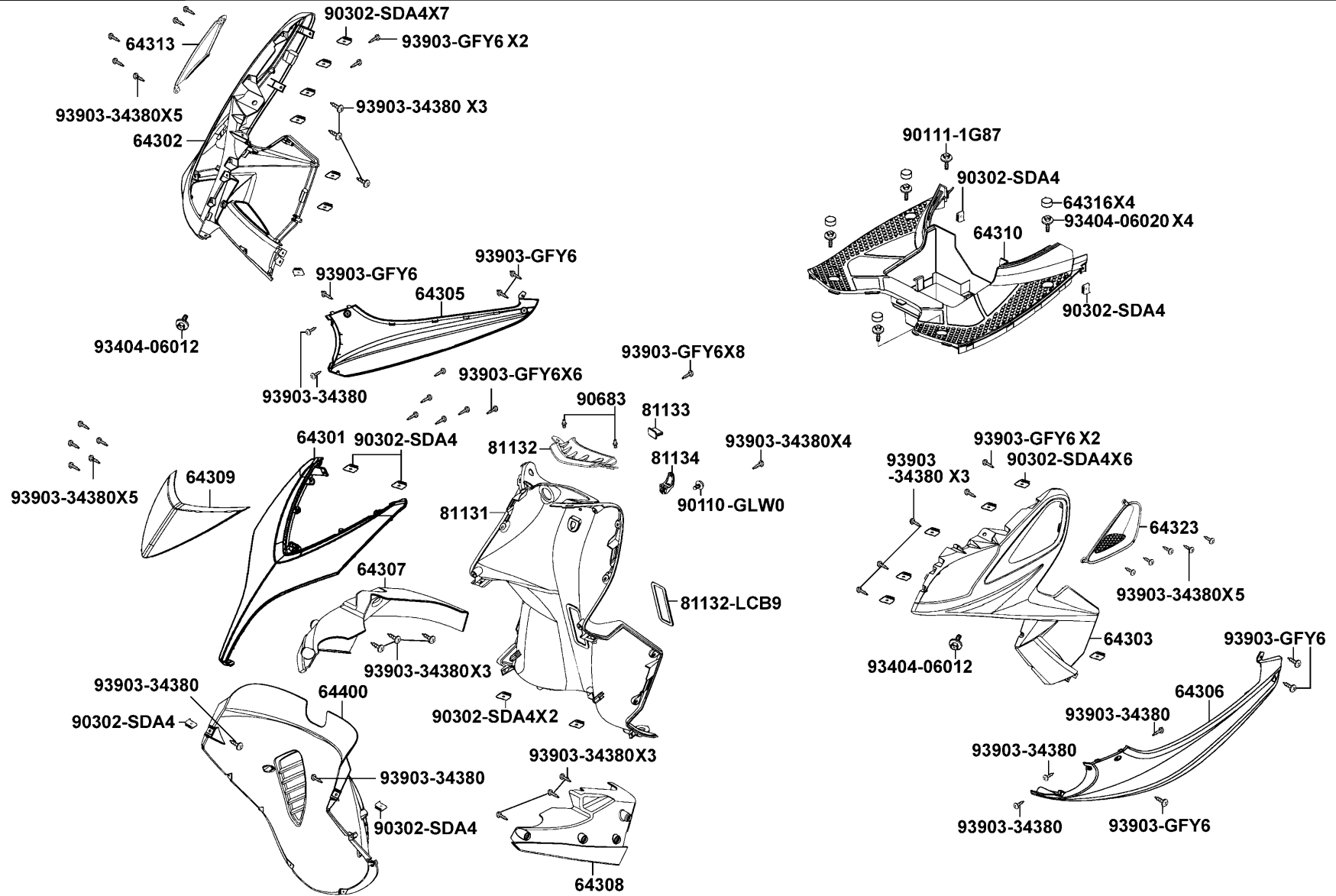
Front Cover Front Fender



Sales mark	Ref no	Part no	Description	Reg description	Regd no	F05
**	64301	64301-LEJ2-E10	COVER FR	COVER FR	1	
**	64302	64302-LEJ2-E10	MOLE R SIDE	MOLE R SIDE	1	
**	64303	64303-LEJ2-E10	COVER FR TOP	COVER FR TOP	1	
**	64305	64305-LEJ2-E10	SKIRT R SIDE	SKIRT R SIDE	1	
**	64306	64306-LEJ2-E10	SKIRT L SIDE	SKIRT L SIDE	1	
	64307	64307-LEJ2-E10	COVER R SIDE MOLD	COVER R SIDE MOLD	1	
	64308	64308-LEJ2-E10	COVER L SIDE MOLD	COVER L SIDE MOLD	1	
**	64309	64309-LEJ2-E10	COVER FR TOP	COVER FR TOP	1	
	64310	64310-LEJ2-E10	FLOOR PANEL	FLOOR PANEL	1	
	64323	64323-LEJ2-E10	GRILL L SIDE MOLD	GRILL L SIDE MOLD	1	
	64400	64400-LEJ2-E10	COWL UNDER	COWL UNDER	1	
	81131	81131-LEJ2-E10	LEG SHIELD UP	LEG SHIELD UP	1	
	81132-LEJ2	81132-LEJ2-E10	LID INNER BOX	LID INNER BOX	1	
**	81133	81133-KGBG-9000	STOPPER LUGGAGE	STOPPER LUGGAGE	1	
**	81134	81134-KGBG-9000	HOOK LUGGAGE	HOOK LUGGAGE	1	
	90110	90110-GLW0-001	SCREW SPECIAL 6*14	SCREW SPECIAL 6*14	1	
	90111	90111-1G87-001	BOLT FLANGE 6MM	BOLT FLANGE 6MM	1	
	90302	90302-SDA4-004	NUT SPRING 4MM	NUT SPRING 4MM	19	
	90683	90683-GAR1-004	CLIP BODY COVER	CLIP BODY COVER	2	
	93404-06012	93404-06012-07	BOLT WASH 6*12	BOLT WASH 6*12	2	

F05

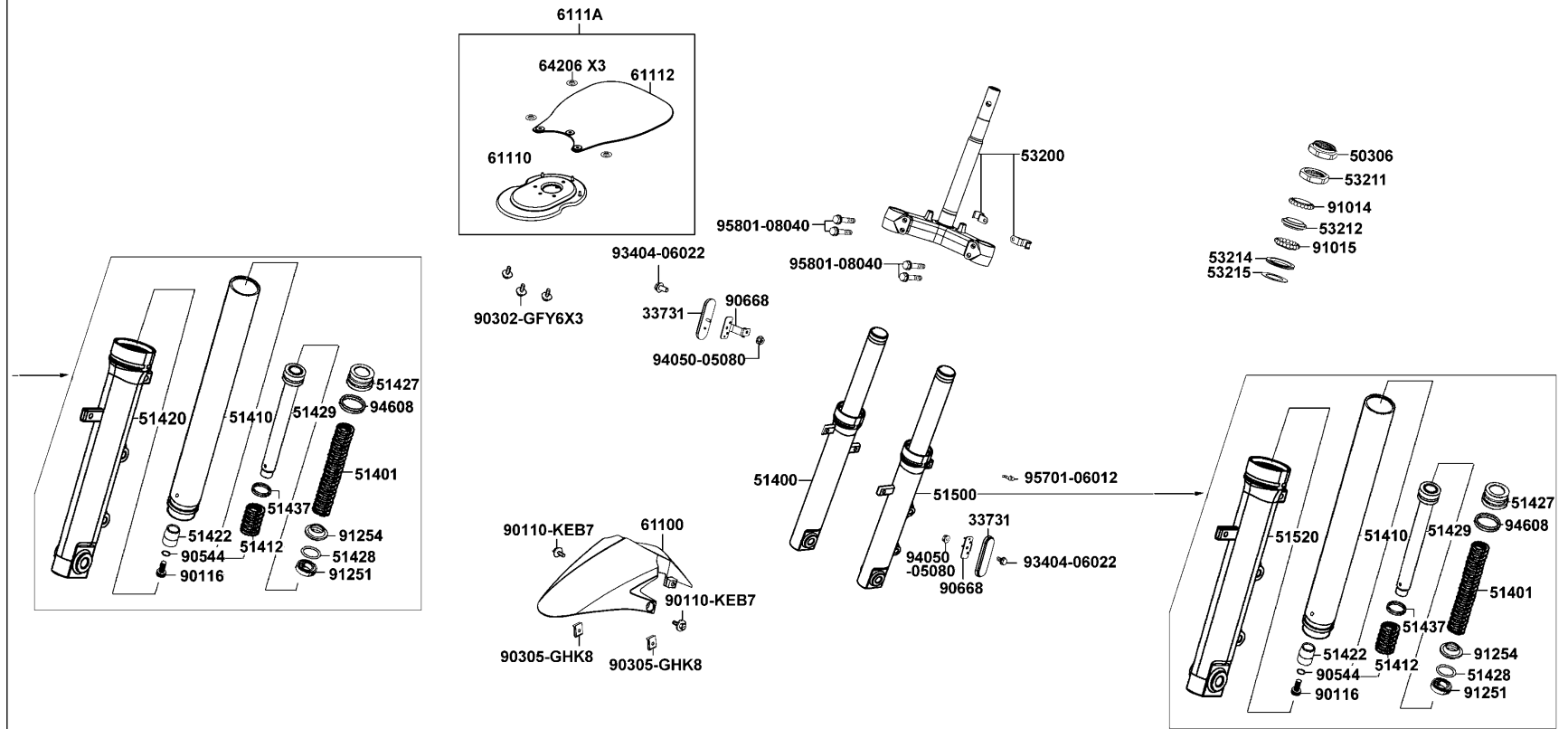
Front Cover Front Fender



Sales mark	Ref no	Part no	Description	Reg description	Regd no	F05
	93404-06020	93404-06020-07	BOLT WASHER 6*20 (K)	BOLT WASHER 6*20 (K)	4	
	93903-34380	93903-34380	SCREW TAPPING 4*12	SCREW TAPPING 4*12	38	
	93903-GFY6	93903-GFY6-900	SCREW TAPPING 4*14	SCREW TAPPING 4*14	0	

F06

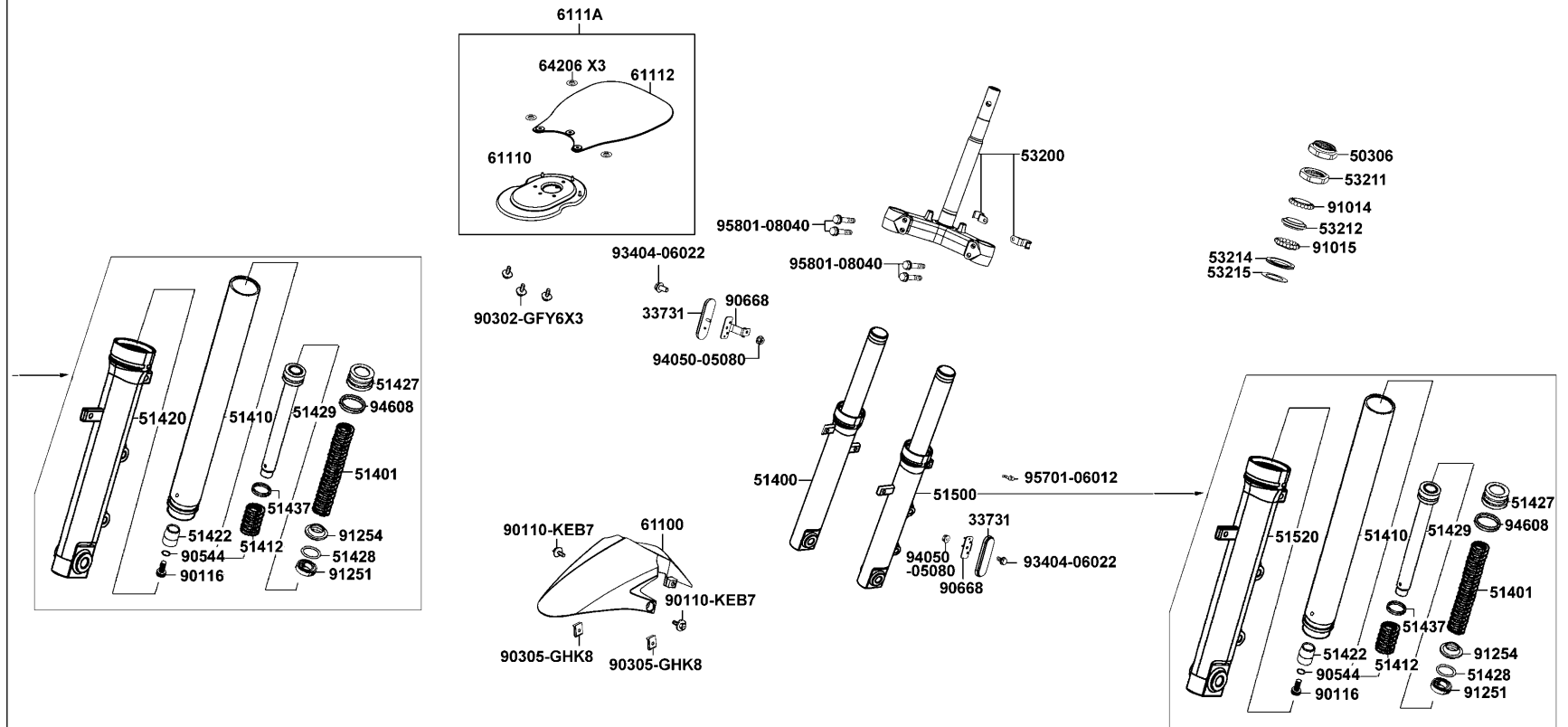
Stem Steering Front Cushion



Sales mark	Ref no	Part no	Description	Reg description	Regd no	F06
	33731	33731-LDC8-M30	REFLEX REFLECTOR SIDE	REFLEX REFLECTOR SIDE	2	
	50306	50306-1F96-001	NUT STRG STEM LOCK	NUT STRG STEM LOCK	1	
**	51400	51400-LEJ2-E10	FORK ASSY RH FR	FORK ASSY RH FR	1	
	51401	51401-LEJ2-E10	SPRING	SPRING	1	
	51410	51410-LEJ2-E10	FORK PIPE COMP	FORK PIPE COMP	1	
	51412	51412-LEJ2-E10	REBOUND SPRING	REBOUND SPRING	1	
**	51420	51420-LEJ2-E10	BOTTOM CASE RH	BOTTOM CASE RH	1	
	51422	51422-LEJ2-E10	OIL LOCK PIECE	OIL LOCK PIECE	1	
	51427	51427-LEJ2-E10	FORK BOLT	FORK BOLT	1	
	51428	51428-LEJ2-E10	OIL SEAL STOPPER RING	OIL SEAL STOPPER RING	1	
	51429	51429-LEJ2-E10	PIPE SEAT	PIPE SEAT	1	
	51437	51437-LEJ2-E10	PISTON RING	PISTON RING	1	
**	51500	51500-LEJ2-E10	FORK ASSY LH FR	FORK ASSY LH FR	1	
**	51520	51520-LEJ2-E10	BOTTOM CASE L	BOTTOM CASE L	1	
	53200	53200-LEJ2-E10	STEM COMP STRG	STEM COMP STRG	1	
	53211	53211-GFY6-940	RACE STRG TOP CONE	RACE STRG TOP CONE	1	
	53212	53212-2L50-011	RACE STRG BOT CONE	RACE STRG BOT CONE	1	
	53214	53214-2L50-001	DUST SEAL STRG(HEAD)	DUST SEAL STRG(HEAD)	1	
	53215	53215-2L50-001	WASH STRG HDL DUST-SEAL	WASH STRG HDL DUST-SEAL	1	
**	61100	61100-LEJ2-E10	FENDER FR	FENDER FR	1	

F06

Stem Steering Front Cushion

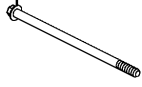


Sales mark	Ref no	Part no	Description	Reg description	Regd no	F06
61110		61110-LDC8-E90	FENDER FR INNER	FENDER FR INNER	1	
61112		61112-LDC8-E90	PLATE FR INNER SPLASH GUARD	PLATE FR INNER SPLASH GUARD	1	
6111A		6111A-LDC8-E90	FENDERMFR. INNER ASSY	FENDERMFR. INNER ASSY	1	
64206		64206-MLJ0-001	NUT SPEED 4MM	NUT SPEED 4MM	3	
90110		90110-KEB7-900	SCREW SPECIAL 6*14	SCREW SPECIAL 6*14	2	
90116		90116-LEJ2-E10	?? BOLT	?? BOLT	1	
90302-GFY6-901		90302-GFY6-901	BOLT WASH 5*12	BOLT WASH 5*12	2	
90305		90305-GHK8-001	NUT CLIP 6MM	NUT CLIP 6MM	2	
90544		90544-LEJ2-E10	PACKINGCUB	PACKINGCUB	1	
90668		90668-LEJ2-E10	STAY SIDE REFLECTOR	STAY SIDE REFLECTOR	2	
91014		91014-LLJ3-E00	CAGE STEERING TOP	CAGE STEERING TOP	1	
91015		91015-LLJ3-E00	CAGE STEERING BOT	CAGE STEERING BOT	1	
91251		91251-LEJ2-E10	OIL SEAL	OIL SEAL	1	
91254		91254-LEJ2-E10	DUST SEAL	DUST SEAL	1	
93404		93404-06022-07	BOLT WASHER 6*22 (K)	BOLT WASHER 6*22 (K)	2	
94050		94050-05080	NUT FLANGE 5MM	NUT FLANGE 5MM	2	
94608		94608-LEJ2-E10	O-RING B	O-RING B	1	
95701		95701-06012-08	BOLT FLANGE 6*12	BOLT FLANGE 6*12	1	
95801		95801-08040-08	BOLT FLANGE 8*40	BOLT FLANGE 8*40	4	

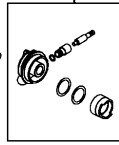
F07

Front Wheel

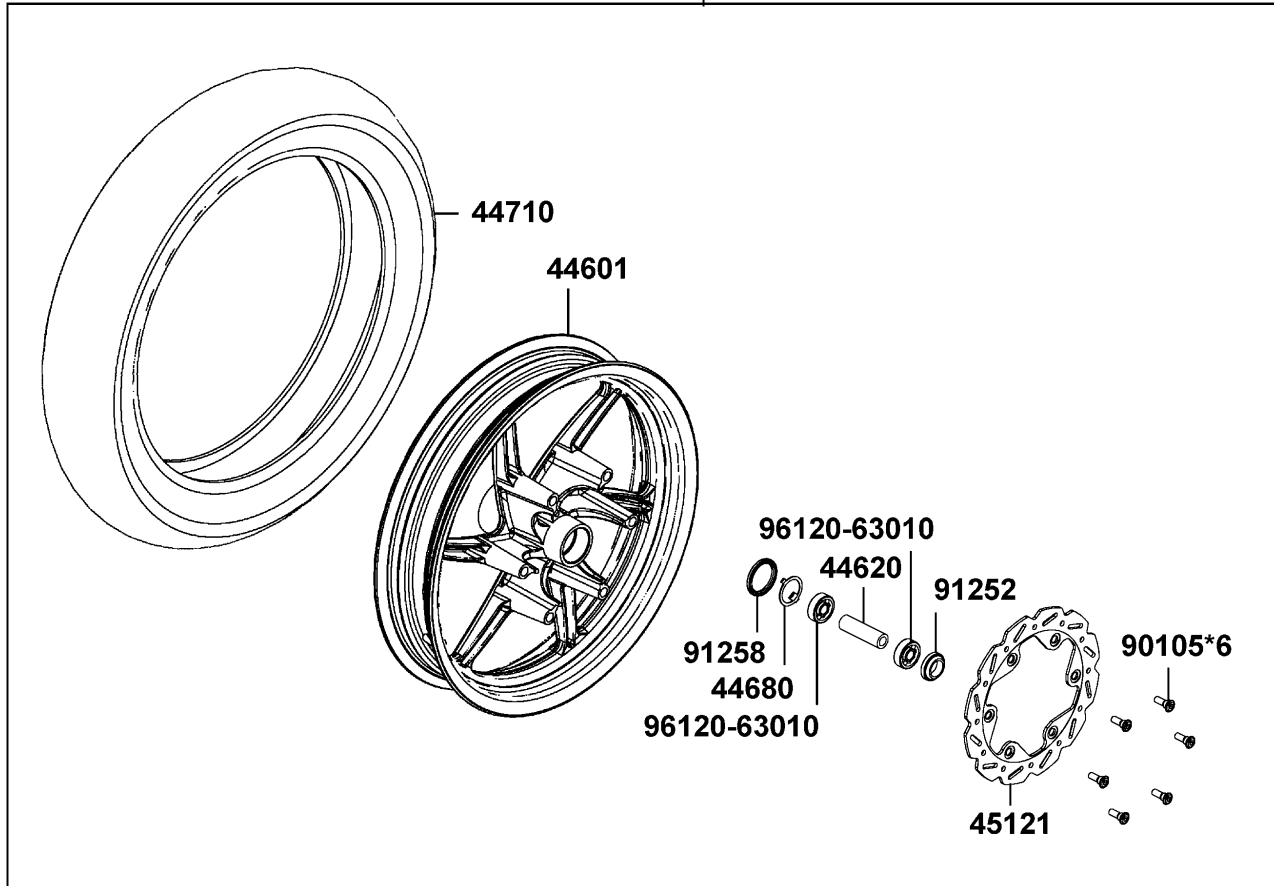
44301



44800



44600

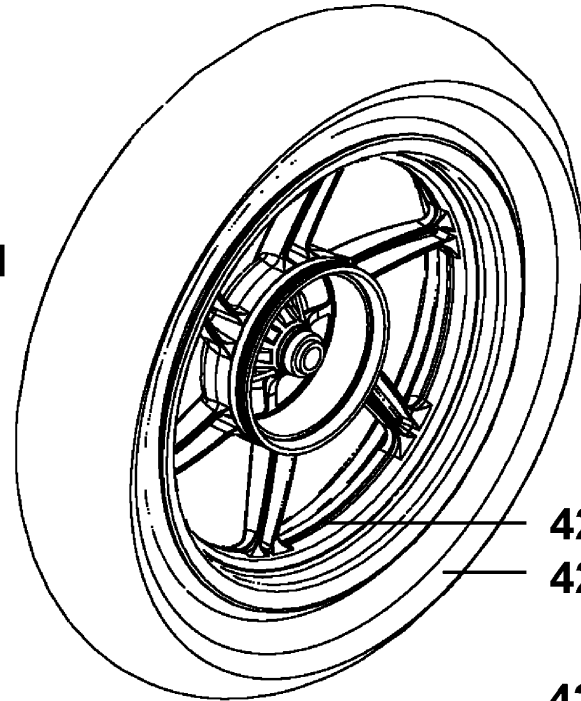


Sales mark	Ref no	Part no	Description	Reg description	Regd no	F07
	44301	44301-KXCX-900	AXLE FR WHEEL	AXLE FR WHEEL	1	
	44311	44311-0F46-001	COLLAR FR WHEEL SIDE	COLLAR FR WHEEL SIDE	1	
**	44600	44600-LEJ3-E10	WHEEL ASSSY FR	WHEEL ASSSY FR	1	
**	44601	44601-LEJ3-E10	WHEEL CAST FR	WHEEL CAST FR	1	
	44620	44620-KFLF-930	COLLAR FR DIST	COLLAR FR DIST	1	
	44680	44680-4L10-001	RETAINER GEAR BOX	RETAINER GEAR BOX	1	
	44710	44710-LEJ3-E11	TIRE ASSY FR	TIRE ASSY FR	1	
	44800	44800-KFA6-900	GEAR BOX ASSY SPDMT	GEAR BOX ASSY SPDMT	1	
	45121	45121-LEJ2-E10	DISK FR BRK	DISK FR BRK	1	
	90105	90105-KCR3-001	BOLT FR DISK 8*24	BOLT FR DISK 8*24	6	
	90306	90306-KLF0-004	NUT FLANGE 12MM	NUT FLANGE 12MM	1	
	91252-0L30-00A	91252-0L30-00A	OIL SEAL WHEEL 23*37*7	OIL SEAL WHEEL 23*37*7	1	
	91258-4L10-00A	91258-4L10-00A	SEAL DUST 40*50*5	SEAL DUST 40*50*5	1	
	96120	96120-63010-10	BEARING BALL RADIAL 6301	BEARING BALL RADIAL 6301	2	

90305-KNBN



90501-KNBN



42601

42710

42600

4312A

43410

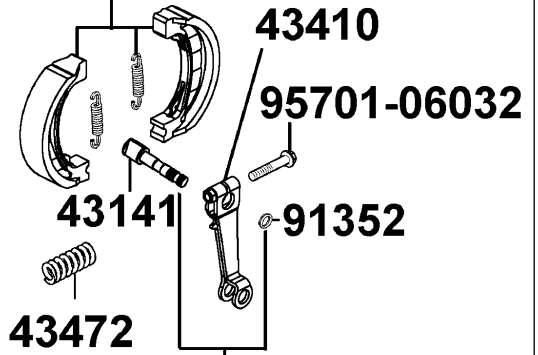
95701-06032

43141

91352

43472

4314A

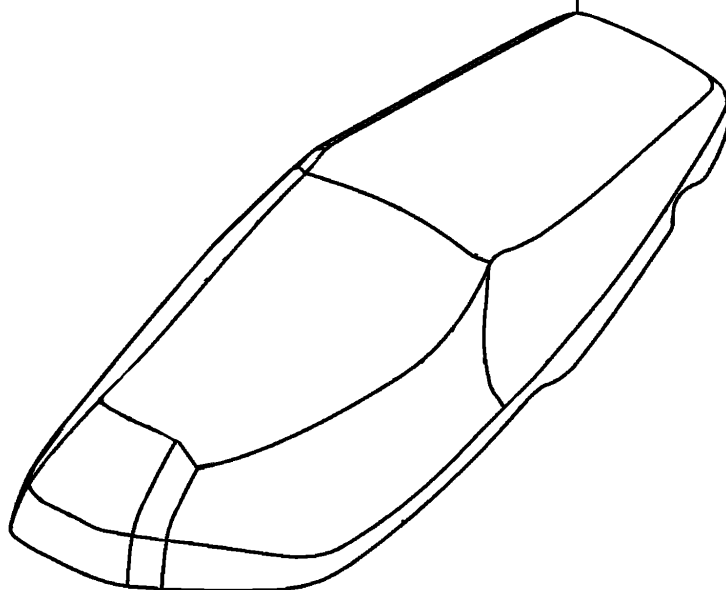


Sales mark	Ref no	Part no	Description	Reg description	Regd no	F08
**	42600	42600-LEJ3-E10	WHEEL ASSY RR	WHEEL ASSY RR	1	
**	42601	42601-LEJ2-E10	WHEEL CAST RR	WHEEL CAST RR	1	
	42710	42710-LEJ3-E10	TIRE ASSY REAR	TIRE ASSY REAR	1	
	4312A	4312A-KUDU-900	SHOE ASSY RR BRAKE	SHOE ASSY RR BRAKE	1	
	43141	43141-LCD3-E00	CAM RR BRK	CAM RR BRK	1	
	4314A	4314A-LCD3-E00	CAM ASSY RR BRAKE	CAM ASSY RR BRAKE	1	
	43410	43410-LCD3-E00	ARM RR BRAKE	ARM RR BRAKE	1	
	43472	43472-LEJ3-E10	SPG RR BRK ARM	SPG RR BRK ARM	0	
	90305	90305-KNBN-90B	NUT U 16MM	NUT U 16MM	1	
	90501	90501-KNBN-901	WASHER 16MM	WASHER 16MM	1	
	91352	91352-KHG8-83A	O-RING 11.3*1.3	O-RING 11.3*1.3	1	
	95701	95701-06032-08	BOLT FLANGE 6*32	BOLT FLANGE 6*32	1	

F09

Seat

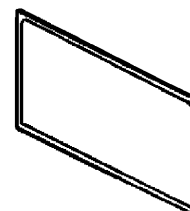
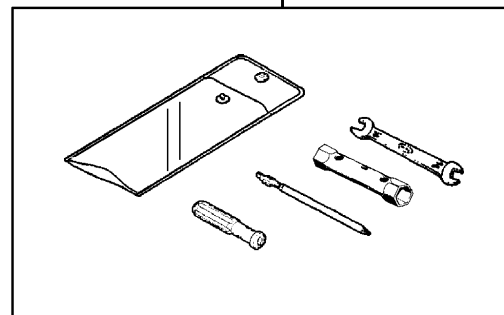
77200



94050-06080-②

94050-06080-②

89010

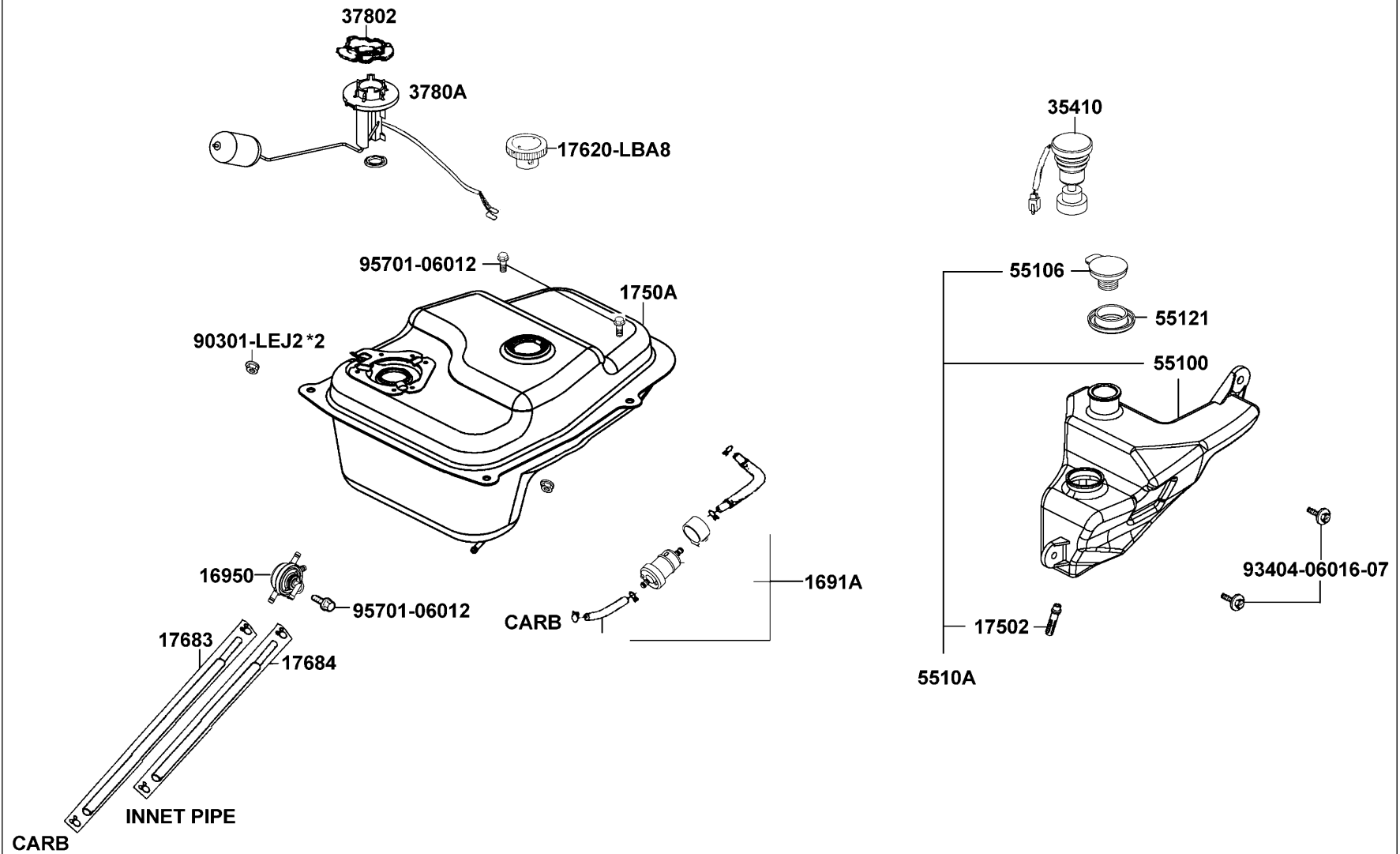


89020

Sales mark	Ref no	Part no	Description	Reg description	Regd no	F09
	77200	77200-LEJ2-E10	SEAT ASSY	SEAT ASSY	1	
	89010	89010-GGS7-C00	TOOL SET	TOOL SET	1	
	89020	89020-KKC4-900	BAND TOOL SET	BAND TOOL SET	1	
	94050	94050-06080	NUT FLANGE 6MM	NUT FLANGE 6MM	2	

F10

Fuel Tank

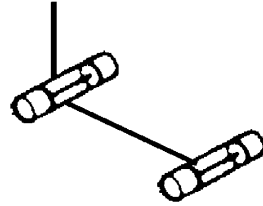


Sales mark	Ref no	Part no	Description	Reg description	Regd no	F10
1691A		1691A-LEJ2-E10	STRAINER ASSY FUEL	STRAINER ASSY FUEL	1	
16950		16950-LCA3-B50	AUTO COCK ASSY FUEL	AUTO COCK ASSY FUEL	1	
17502		17502-1G87-001	OIL STRAINER	OIL STRAINER	1	
1750A		1750A-LEJ2-E10	TANK COMP FUEL	TANK COMP FUEL	1	
17620		17620-LBA8-C10	CAP FUEL FILLER	CAP FUEL FILLER	1	
17683		17683-LHB3-E10	TUBE ASSY FUEL	TUBE ASSY FUEL	1	
17684		17684-LHB3-E10	TUBE ASSY VACUM	TUBE ASSY VACUM	1	
35410		35410-LHB3-E10	SW COMP OIL LEVEL	SW COMP OIL LEVEL	1	
37802		37802-GGA7-701	RET FUEL UNIT	RET FUEL UNIT	1	
3780A		3780A-LEJ2-E10	FUEL UNIT ASSY	FUEL UNIT ASSY	1	
55100		55100-LHB3-E10	TANK OIL	TANK OIL	1	
55106		55106-KEB7-900	CAP ASSY OIL	CAP ASSY OIL	1	
5510A		5510A-LHB3-E10	TANK ASSY OIL	TANK ASSY OIL	1	
55121		55121-LCD1-E00	RUBBER OIL GUIDE	RUBBER OIL GUIDE	1	
90301		90301-LEJ2-E10	NUT FLANGE 6mm	NUT FLANGE 6mm	2	
93404		93404-06016-07	BOLT WASHER 6*16 (K)	BOLT WASHER 6*16 (K)	2	
95701		95701-06012-08	BOLT FLANGE 6*12	BOLT FLANGE 6*12	3	

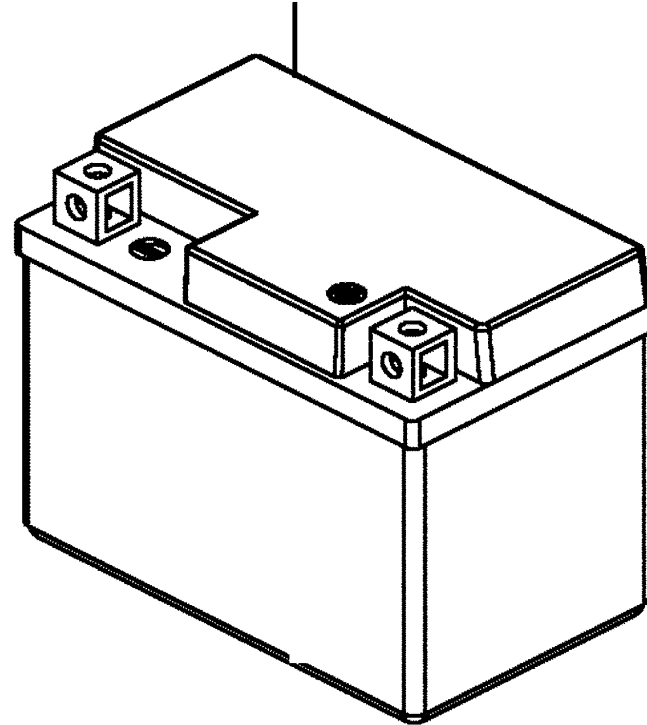
F11

Battery

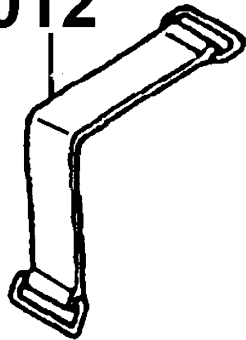
98200-10700



31500



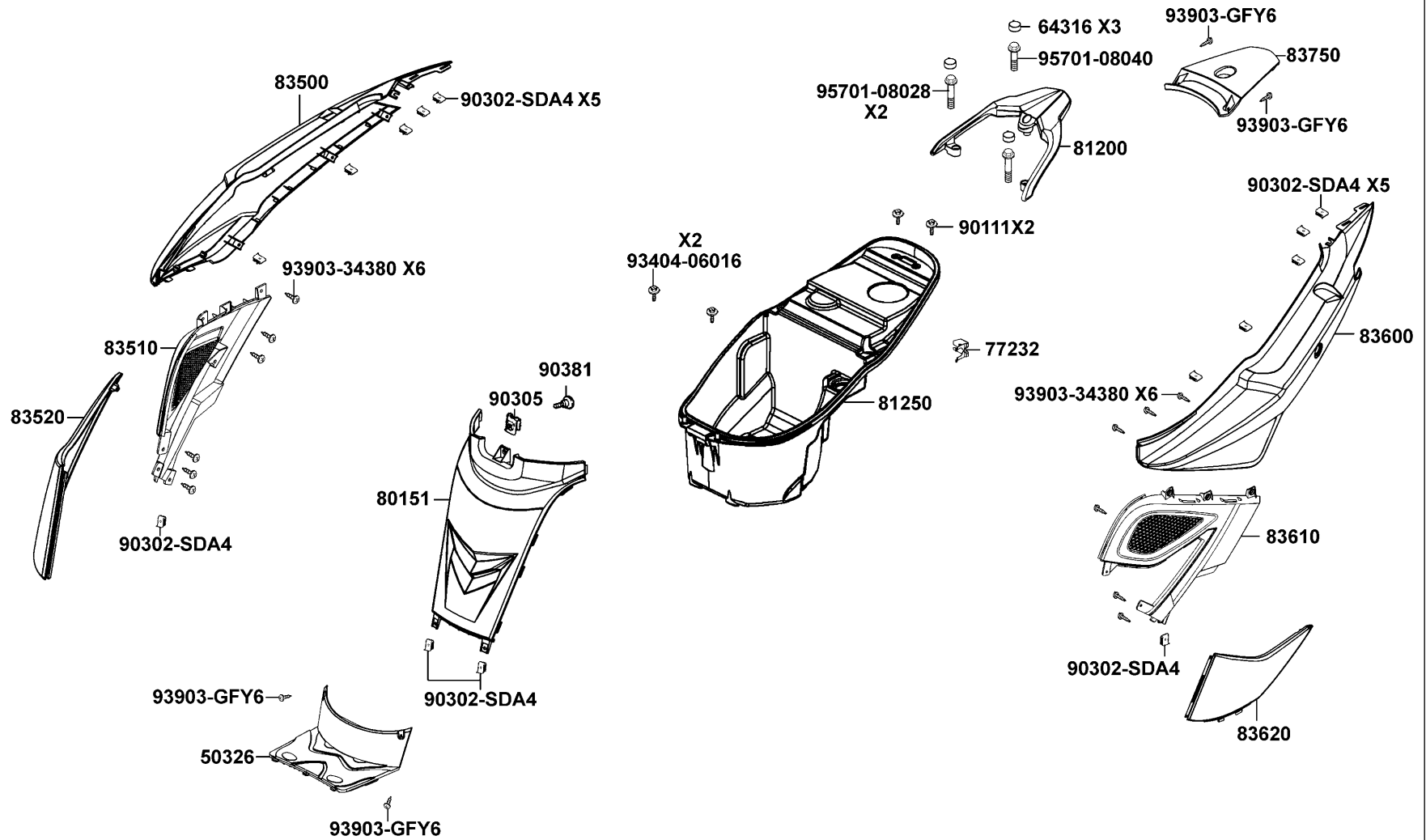
95012



Sales mark	Ref no	Part no	Description	Reg description	Regd no	F11
	31500	31500-GFY6-94A	BATTERY YTX7A-BS	BATTERY YTX7A-BS	1	
	95012	95012-LEJ2-E10	BAND BATTERY	BAND BATTERY	1	
	98200	98200-10700	FUSE A7	FUSE A7	2	

F12

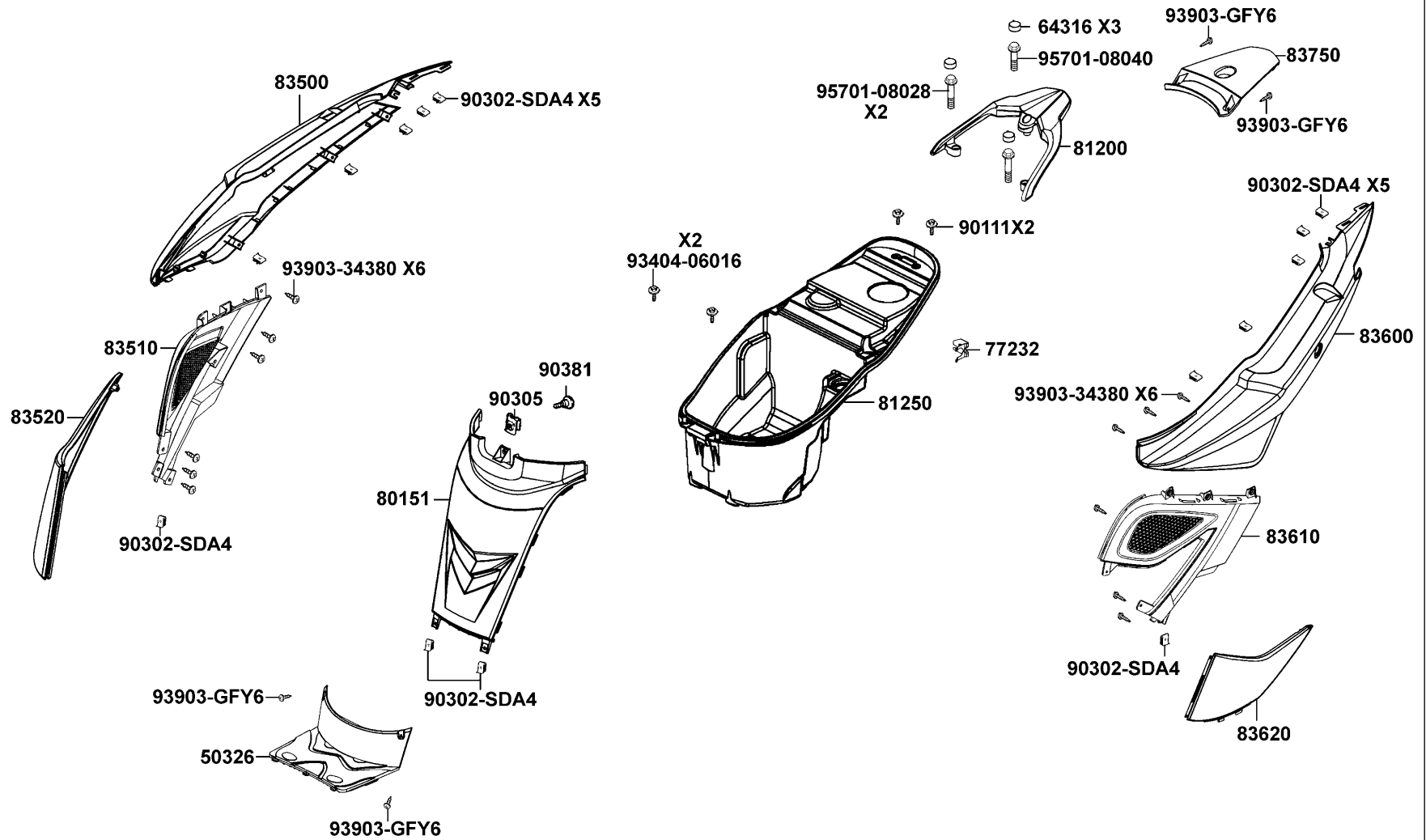
Body Cover Luggage Box



Sales mark	Ref no	Part no	Description	Reg description	Regd no	F12
	50326	50326-LEJ2-E10	COVER BATTERY	COVER BATTERY	1	
	77232	77232-KCAC-901	SET SPG SEAT LOCK	SET SPG SEAT LOCK	1	
	80151	80151-LEJ2-E10	COVER CENTER	COVER CENTER	1	
**	81200	81200-LEJ3-E10	BOLT FLANGE 8*40 (C)	BOLT FLANGE 8*40 (C)	0	
	81250	81250-LHB3-E10	LUGGAGE BOX	LUGGAGE BOX	1	
**	83500	83500-LEJ2-E10	COVER R BODY	COVER R BODY	1	
	83510	83510-LEJ2-E10	COVER R SIDE A	COVER R SIDE A	1	
**	83520	83520-LEJ2-E10	COVER R SIDE B	COVER R SIDE B	1	
**	83600	83600-LEJ2-E10	COVER L BODY	COVER L BODY	1	
	83610	83610-LEJ2-E10	COVER L SIDE A	COVER L SIDE A	1	
**	83620	83620-LEJ2-E10	COVER L SIDE B	COVER L SIDE B	1	
**	83750	83750-LEJ2-E10	COVER RR CENTER	COVER RR CENTER	1	
	90111	90111-1G87-00A	BOLT FLANGE 6MM	BOLT FLANGE 6MM	2	
	90302-SDA4	90302-SDA4-004	NUT SPRING 4MM	NUT SPRING 4MM	14	
	90305	90305-GHK8-001	NUT CLIP 6MM	NUT CLIP 6MM	1	
	90381	90381-GEZ5-001	SCREW SPECIAL 6*17	SCREW SPECIAL 6*17	1	
	93404-06016	93404-06016-08	BOLT WASHER 6*16	BOLT WASHER 6*16	0	
	93903-34380	93903-34380	SCREW TAPPING 4*12	SCREW TAPPING 4*12	12	
	93903-GFY6	93903-GFY6-900	SCREW TAPPING 4*14	SCREW TAPPING 4*14	4	
	95701-08028	95701-08028-08	BOLT FLANGE 8*28 (C)	BOLT FLANGE 8*28 (C)	2	

F12

Body Cover Luggage Box

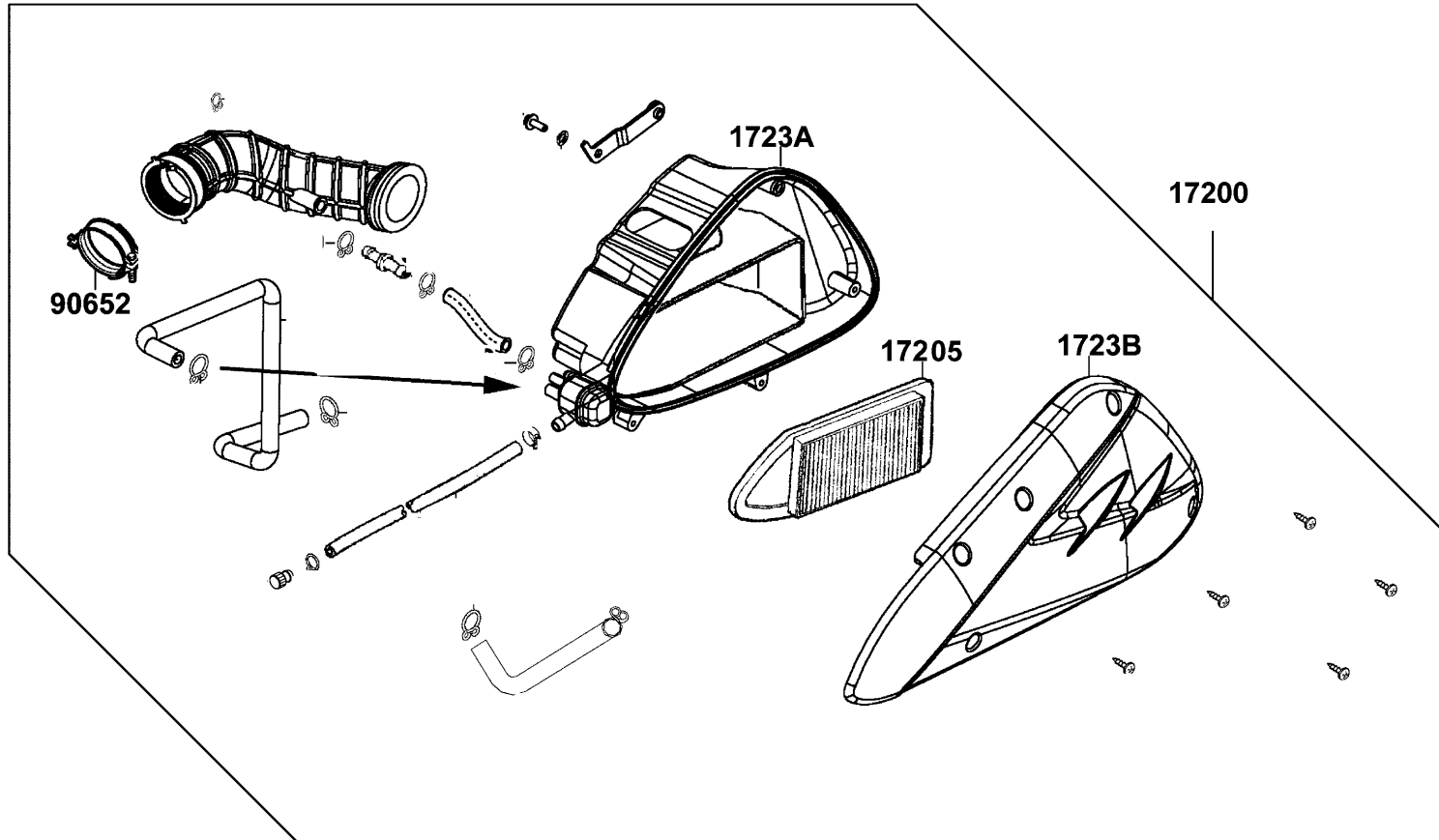


Sales mark	Ref no	Part no	Description	Reg description	Regd no	F12
------------	--------	---------	-------------	-----------------	---------	------------

	95701-08040	95701-08040-08	BOLT FLANGE 8*40	BOLT FLANGE 8*40	1	
--	-------------	----------------	------------------	------------------	---	--

F13

Air Cleaner



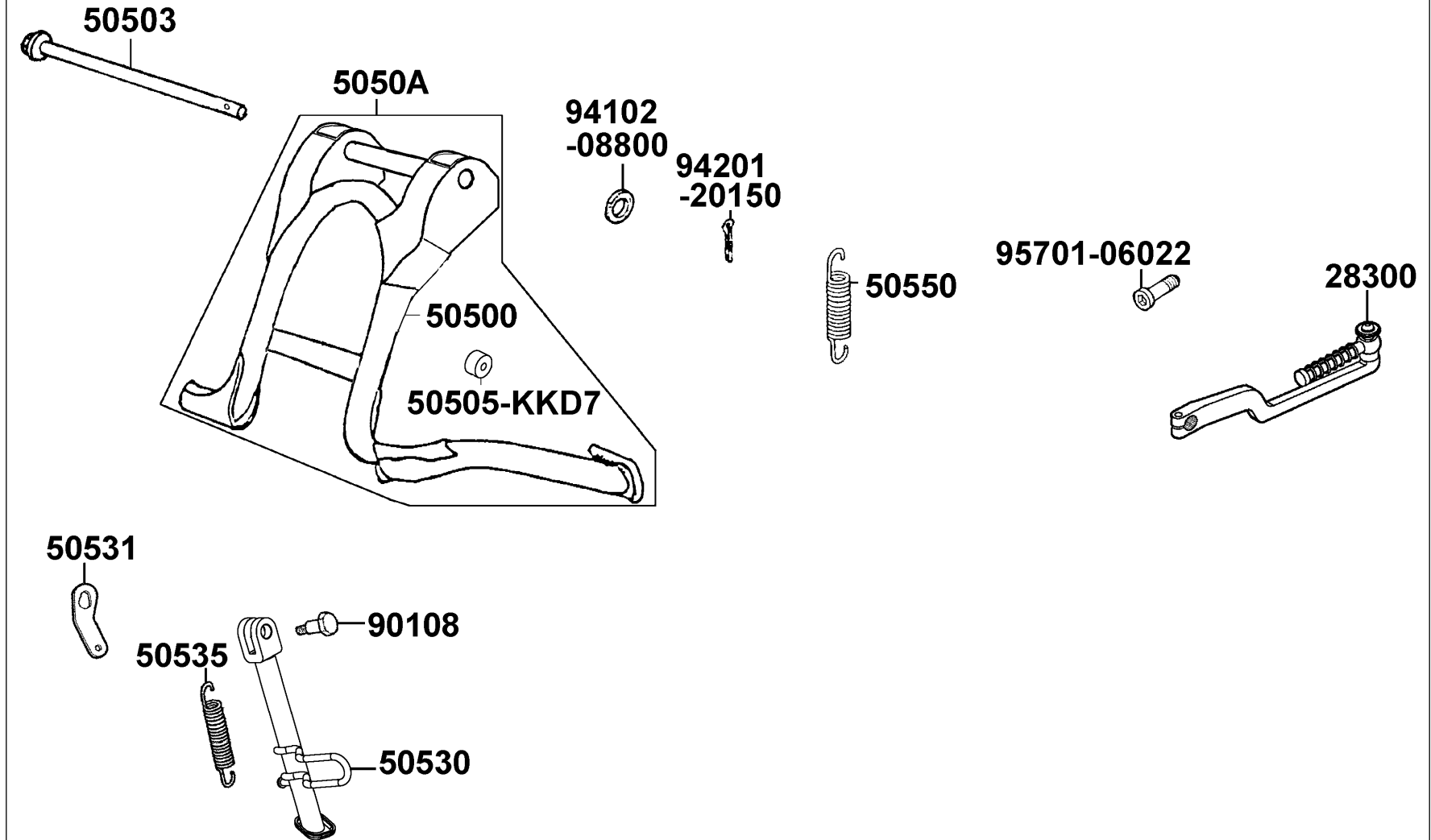
 95701-06040-08
95701-06040-08

Sales mark	Ref no	Part no	Description	Reg description	Regd no	F13
	17200	17200-LCD1-E00	AIR/C ASSY	AIR/C ASSY	1	
	17205	17205-KFA6-900	ELEMENT AIR/C	ELEMENT AIR/C	1	
	1723A	1723A-LCD1-E00	CASE ASSY AIR/C	CASE ASSY AIR/C	1	
	1723B	1723B-LCD1-E00	COVER COMPAIR/C	COVER COMPAIR/C	1	
	90652	90652-KTCT-900	BAND AIR/C CONN	BAND AIR/C CONN	1	
	95701	95701-06040-08	BOLT FLANGE 6*40	BOLT FLANGE 6*40	2	

Sales mark	Ref no	Part no	Description	Reg description	Regd no	F14
	18291	18291-KKC4-900	COLLAR	COLLAR	3	
	18291	18291-LBA7-900	GASKET EXH PIPE	GASKET EXH PIPE	1	
	18292	18292-KEBE-900	PACKING PROTECTOR	PACKING PROTECTOR	1	
	18293	18293-KECE-900	RUBBER A PROTECTOR	RUBBER A PROTECTOR	1	
	18294	18294-KEBE-900	PACKING PROTECTOR	PACKING PROTECTOR	18	
	18295	18295-KECE-900	COLLAR 6MM	COLLAR 6MM	1	
	1830A	1830A-LHB3-E10	MUFFLER ASSY EXHAUST	MUFFLER ASSY EXHAUST	1	
	18318	18318-LHB3-E10	PROTECTOR COMP MUFFLER	PROTECTOR COMP MUFFLER	1	
	18341	18341-LHB3-E10	TAIL CAP COMP MUFFLER	TAIL CAP COMP MUFFLER	1	
	1860A	1860A-KFB5-EZ0	REED VALVE ASSY	REED VALVE ASSY	1	
	80107	80107-KHLH-900	RUBBER A RR FENDER	RUBBER A RR FENDER	1	
	90110-LCD1	90110-LCD1-E00	SCREW SPECIAL 6*25	SCREW SPECIAL 6*25	3	
	90301	90301-GFY6-901	NUT (HEX) CAP 8MM	NUT (HEX) CAP 8MM	2	
	94101-06700	94101-06700	WASHER PLAIN 6MM	WASHER PLAIN 6MM	0	
	95701	95701-06020-07	BOLT FLANGE 6*20 (C)	BOLT FLANGE 6*20 (C)	4	
	95801-08050	95801-08050-06	BOLT FLANGE 8*50	BOLT FLANGE 8*50	1	
	95801-KFA6	95801-KFA6-E00	BOLT FLANGE 8*35	BOLT FLANGE 8*35	1	
	96001-06008	96001-06008-07	BOLT FLANGE SH 6*8	BOLT FLANGE SH 6*8	1	

F15

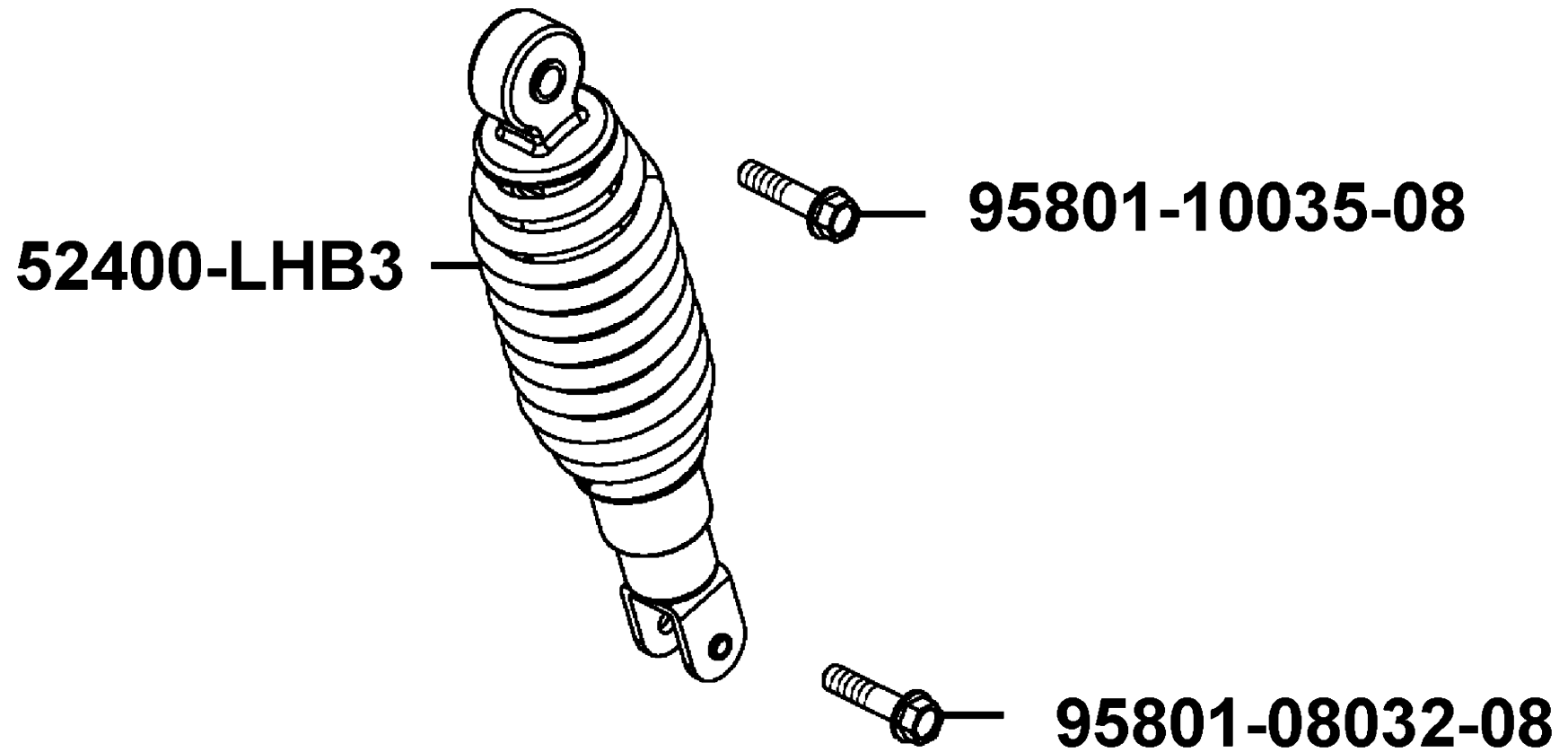
Stand Kick Starter Arm



Sales mark	Ref no	Part no	Description	Reg description	Regd no	F15
	28300	28300-KNBN-901	ARM ASSY KICK STARTER	ARM ASSY KICK STARTER	1	
	50500	50500-LHB3-E10	STAND COMP MAIN	STAND COMP MAIN	1	
	50503	50503-KEB7-900	SHAFT MAIN STAND	SHAFT MAIN STAND	1	
	50505	50505-KKD7-900	RUBBER STOPPER MAIN	RUBBER STOPPER MAIN	1	
	5050A	5050A-LHB3-E10	STAND ASSY MAIN	STAND ASSY MAIN	1	
	50530	50530-LEJ2-E10	BAR SIDE STAND	BAR SIDE STAND	1	
	50531	50531-KEB7-E00	PLATE SPRING STOPPER	PLATE SPRING STOPPER	1	
	50535	50535-KEB7-W10	SPRING COMP SIDE STAND	SPRING COMP SIDE STAND	1	
	50550	50550-KEB7-E00	SPG ASSY MAIN STAND	SPG ASSY MAIN STAND	1	
	90108	90108-KFA6-E00	SCREW SIDE STAND	SCREW SIDE STAND	1	
	94102	94102-08800	WASHER PLAIN 8MM	WASHER PLAIN 8MM	1	
	94201	94201-20150	PIN SPLIT 2*15	PIN SPLIT 2*15	1	
	95701	95701-06022-07	BOLT FLANGE 6*22 (K)	BOLT FLANGE 6*22 (K)	1	

F16

Rear Cushion

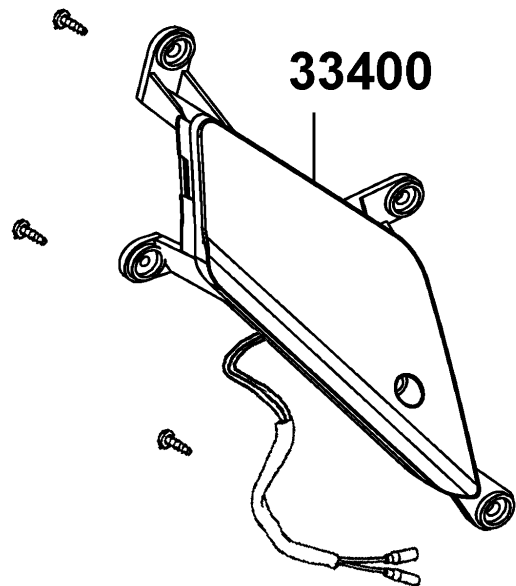


Sales mark	Ref no	Part no	Description	Reg description	Regd no	F16
	52400	52400-LHB3-E10	CUSHION ASSY REAR	CUSHION ASSY REAR	1	
	95801-08032	95801-08032-08	BOLT FLANGE 8*32(C)	BOLT FLANGE 8*32(C)	1	
	95801-10035	95801-10035-08	BOLT FLANGE 10*35	BOLT FLANGE 10*35	1	

F17

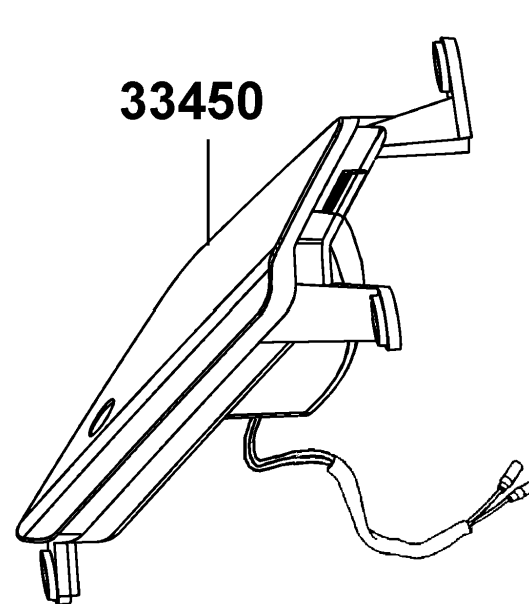
Front Winker

93903-34380 X3



33400

93903-34380 X3

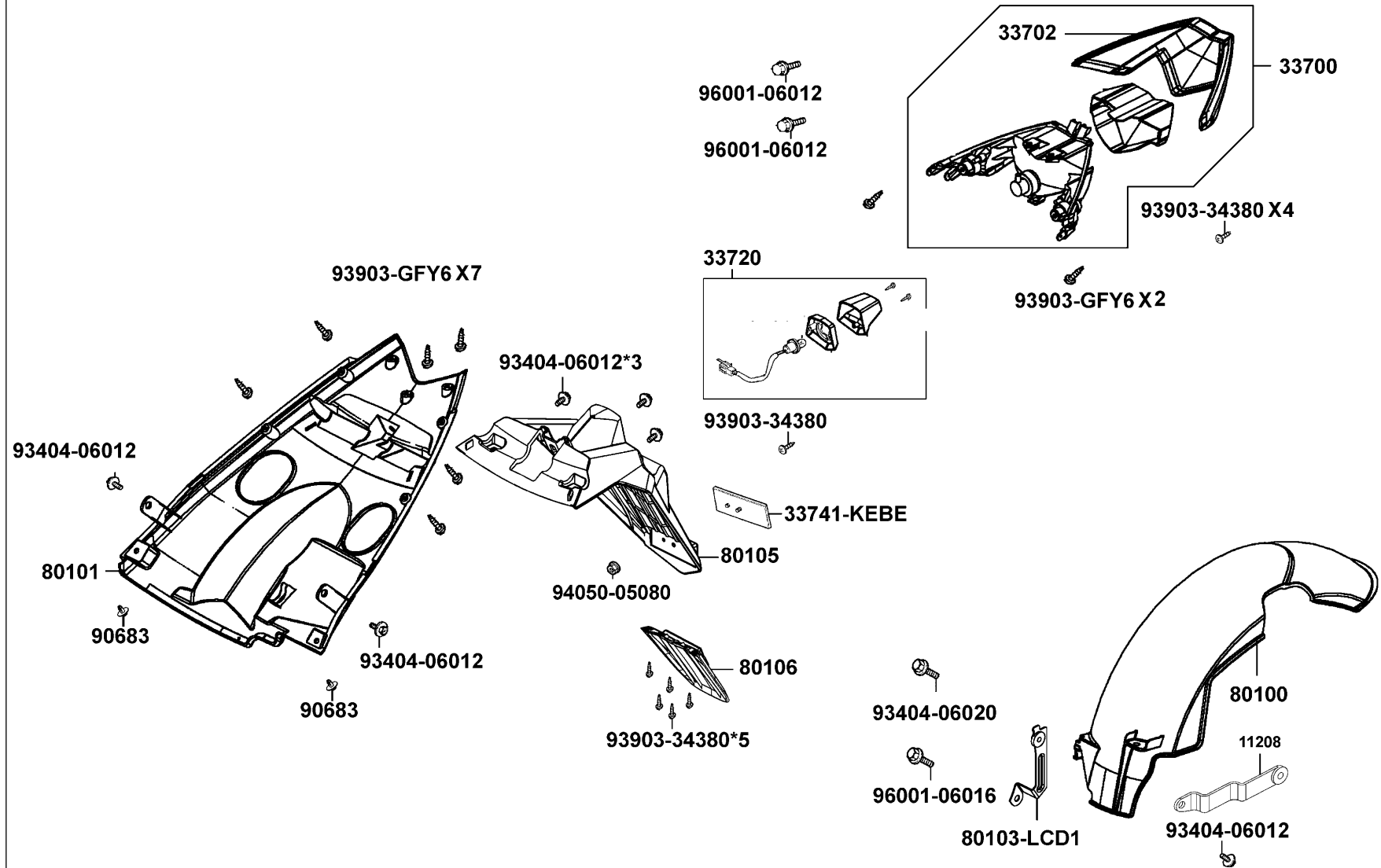


33450

Sales mark	Ref no	Part no	Description	Reg description	Regd no	F17
	33400	33400-LEJ2-E10	WINKER ASSY RH FR	WINKER ASSY RH FR	1	
	33450	33450-LEJ2-E10	WINKER ASSY LH FR	WINKER ASSY LH FR	1	
	93903	93903-34380	SCREW TAPPING 4*12	SCREW TAPPING 4*12	6	

F18

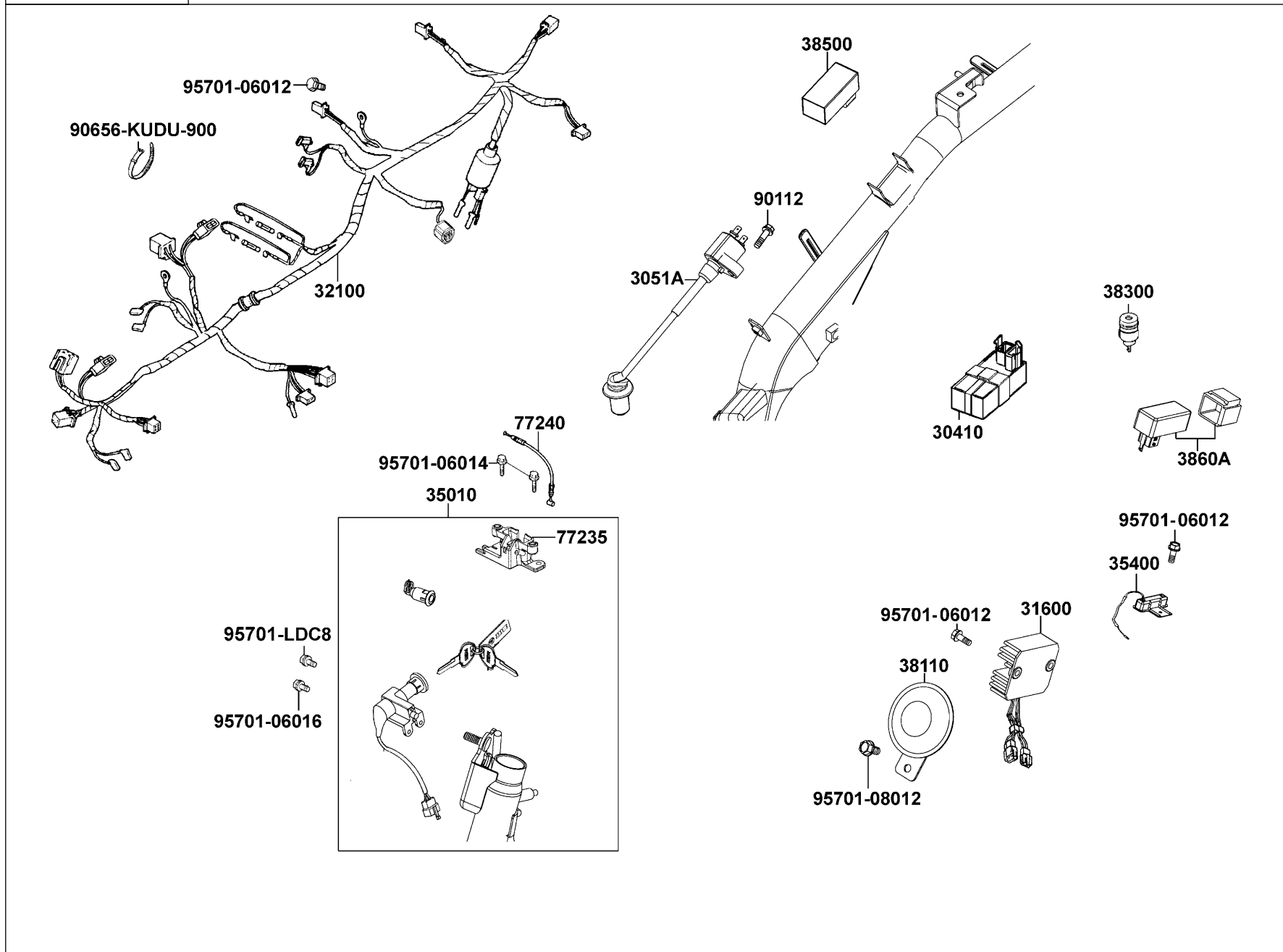
Tail Light



Sales mark	Ref no	Part no	Description	Reg description	Regd no	F18
11208		11208-LHB3-E10	STAY B RR FENDER	STAY B RR FENDER	1	
33700		33700-LEJ2-E10	LIGHT ASSY RR COMB	LIGHT ASSY RR COMB	1	
33702		33702-LEJ2-E10	OUTER LENS RR COMB	OUTER LENS RR COMB	1	
33720		33720-LEJ2-E10	LIGHT ASSY LICENSE	LIGHT ASSY LICENSE	1	
33741		33741-KEBE-900	REFLEX REFLECTOR	REFLEX REFLECTOR	1	
80100		80100-LHB3-E10	FENDER RR TIRE	FENDER RR TIRE	1	
80101		80101-LEJ2-E10	FENDER RR INNER	FENDER RR INNER	1	
80103		80103-LCD1-E00	SATY B RR TIRE FENDER	SATY B RR TIRE FENDER	1	
80105		80105-LEJ2-E10	FENDER REAR	FENDER REAR	1	
80106		80106-LEJ2-E10	REAR FENDER B	REAR FENDER B	1	
90683		90683-GAR1-004	CLIP BODY COVER	CLIP BODY COVER	2	
93404-06012		93404-06012-07	BOLT WASH 6*12	BOLT WASH 6*12	6	
93404-06020		93404-06020-07	BOLT WASHER 6*20 (K)	BOLT WASHER 6*20 (K)	1	
93903-34380		93903-34380	SCREW TAPPING 4*12	SCREW TAPPING 4*12	10	
93903-GFY6		93903-GFY6-900	SCREW TAPPING 4*14	SCREW TAPPING 4*14	9	
94050		94050-05080	NUT FLANGE 5MM	NUT FLANGE 5MM	1	
96001-06012		96001-06012-08	BOLT FLANGE 6*12	BOLT FLANGE 6*12	2	
96001-06016		96001-06016-08	BOLT FLANGE SH 6*16	BOLT FLANGE SH 6*16	1	

F19

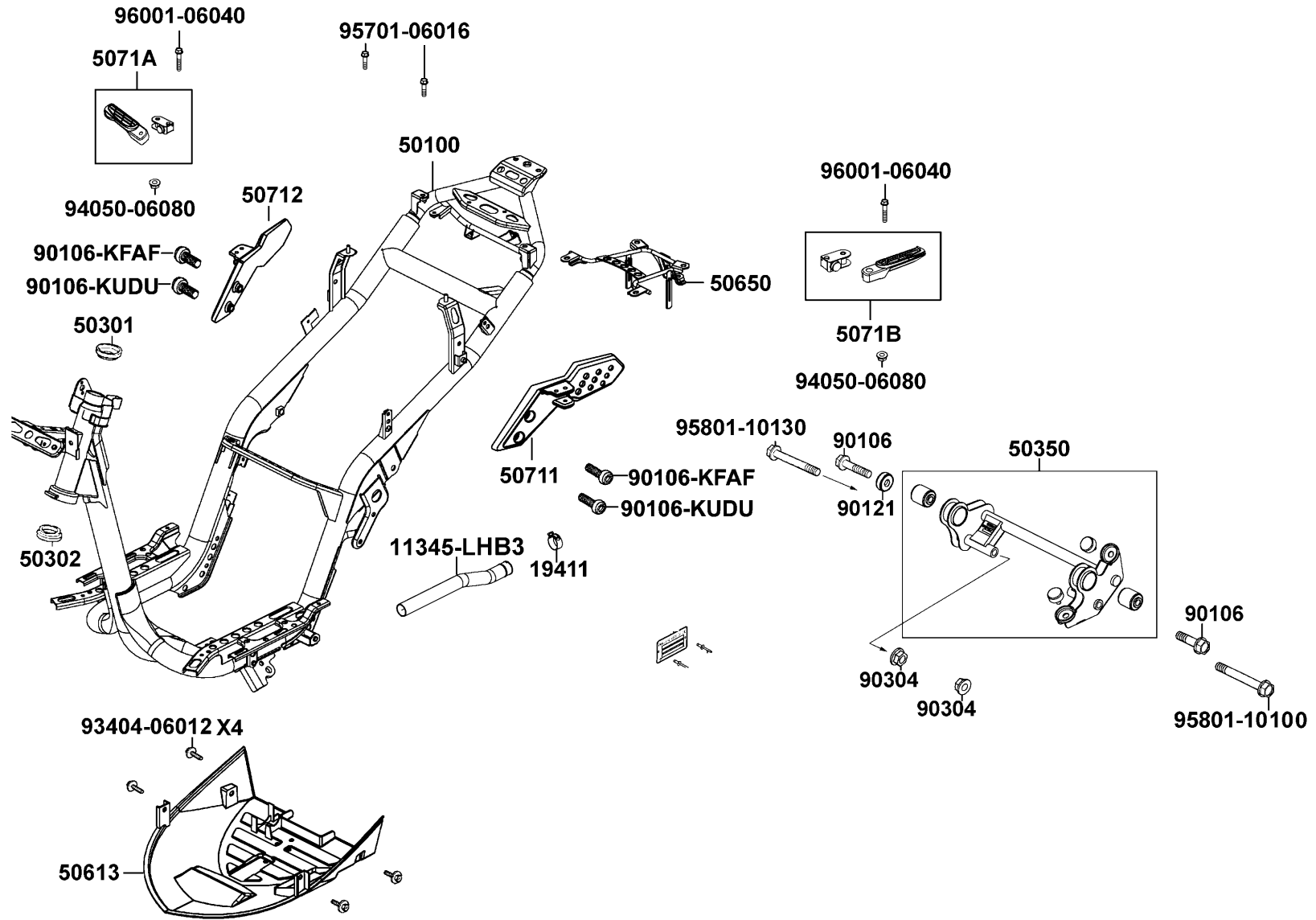
Wire Harness



Sales mark	Ref no	Part no	Description	Reg description	Regd no	F19
	30410	30410-LHB3-E10	UNIT COMP CDI	UNIT COMP CDI	1	
	3051A	3051A-KELE-901	COIL ASSY IGN	COIL ASSY IGN	1	
	31600	31600-LCD3-E0B	REG REC COMP	REG REC COMP	1	
	32100	32100-LHB3-E10	HARNESS WIRE	HARNESS WIRE	1	
	35010	35010-LEJ2-E10	KEY SET	KEY SET	1	
	35400	35400-LHB3-E10	RESISTOR COMP	RESISTOR COMP	1	
	38110	38110-KGC4-B50	HORN COMP	HORN COMP	1	
	38300	38300-KECE-900	RELAY ASSY WINKER	RELAY ASSY WINKER	1	
	38500	38500-KKDK-900	RELAY ASSY START	RELAY ASSY START	1	
	3860A	3860A-LEJ2-E10	CONTROL ASS'Y LIGHTING	CONTROL ASS'Y LIGHTING	1	
	77235	77235-KGC4-E0B	SEAT CATCH	SEAT CATCH	1	
	77240	77240-LEJ2-E10	CABLE SEAT LOCK	CABLE SEAT LOCK	1	
	90112	90112-KRDR-900	BOLT FLANGE 5*22	BOLT FLANGE 5*22	1	
	90656	90656-KUDU-900	BAND HARNESS WIRE	BAND HARNESS WIRE	1	
	95701-06012	95701-06012-08	BOLT FLANGE 6*12	BOLT FLANGE 6*12	3	
	95701-06014	95701-06014-08	BOLT FLANGE 6*14	BOLT FLANGE 6*14	2	
	95701-06016	95701-06016-08	BOLT FLANGE 6*16	BOLT FLANGE 6*16	1	
	95701-08012	95701-08012-08	BOLT FLANGE 8*12	BOLT FLANGE 8*12	1	
	95701-LDC8	95701-LDC8-E10	BOLT TORQUE 6x16	BOLT TORQUE 6x16	1	

F20

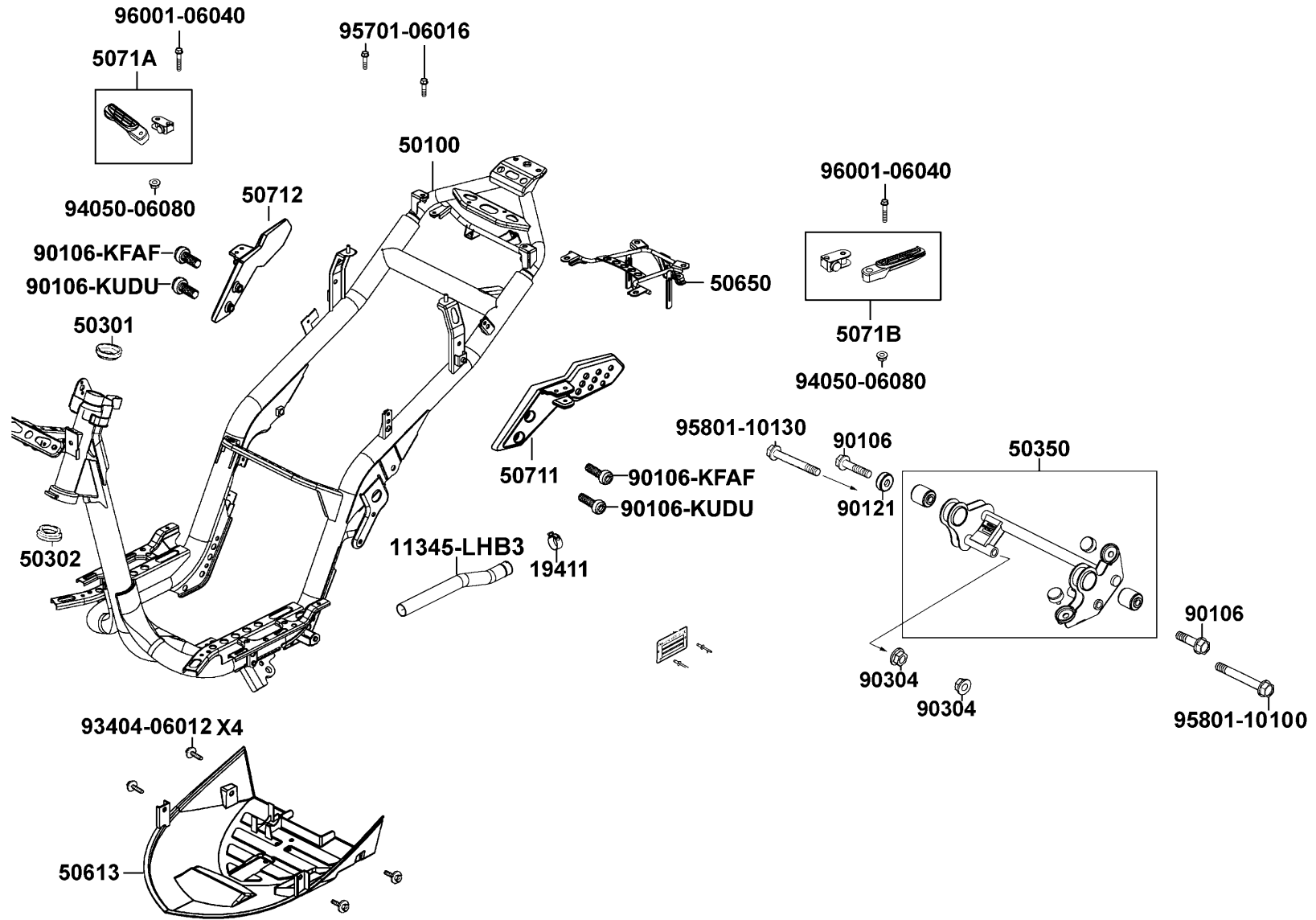
Frame Body



Sales mark	Ref no	Part no	Description	Reg description	Regd no	F20
	11345	11345-LHB3-E10	"DUCT, L COVER"	"DUCT, L COVER"	1	
	19411	19411-KNBN-900	CLIP HOSE	CLIP HOSE	1	
	50100	50100-LHB3-E10	BODY COMP FRAME	BODY COMP FRAME	1	
	50301	50301-KGN7-671	RACE UP STRG BALL	RACE UP STRG BALL	1	
	50302	50302-2H68-011	RACE STRG BOT BALL	RACE STRG BOT BALL	1	
	50350	50350-LHB3-E10	ENG HANGER ASSY	ENG HANGER ASSY	1	
	50613	50613-LEJ2-E10	COVER UNDER	COVER UNDER	1	
	50650	50650-LEJ2-E10	STAY RR FENDER	STAY RR FENDER	0	
	50711	50711-LEJ2-E10	STEP R RR STEP	STEP R RR STEP	1	
	50712	50712-LEJ2-E10	STEP L RR STEP	STEP L RR STEP	1	
	5071A	5071A-LEJ2-E10	BAR STEP R ASSY	BAR STEP R ASSY	1	
	5071B	5071B-LEJ2-E10	BAR STEP L ASSY	BAR STEP L ASSY	1	
	90106-GFY6	90106-GFY6-901	BOLT FLANGE 10*55	BOLT FLANGE 10*55	2	
	90106-KFAF	90106-KFAF-900	BOLT SPECIAL	BOLT SPECIAL	2	
	90106-KUDU	90106-KUDU-900	BOLT WASH 8*26	BOLT WASH 8*26	2	
	90121	90121-GFY6-901	COLLAR DISTANCE	COLLAR DISTANCE	1	
	90304	90304-GHE8-004	NUT U 10MM	NUT U 10MM	2	
	93404	93404-06012-07	BOLT WASH 6*12	BOLT WASH 6*12	4	
	94050	94050-06080	NUT FLANGE 6MM	NUT FLANGE 6MM	2	
	95701	95701-06016-08	BOLT FLANGE 6*16	BOLT FLANGE 6*16	2	

F20

Frame Body



Sales mark	Ref no	Part no	Description	Reg description	Regd no	F20
	95801-10100	95801-10100-08	BOLT FLANGE 10*100	BOLT FLANGE 10*100	1	
	95801-10130	95801-10130-08	BOLT FLANGE 10*130	BOLT FLANGE 10*130	1	
	96001	96001-06040-07	BOLT FLANGE SH 6*40 (K)	BOLT FLANGE SH 6*40 (K)	2	

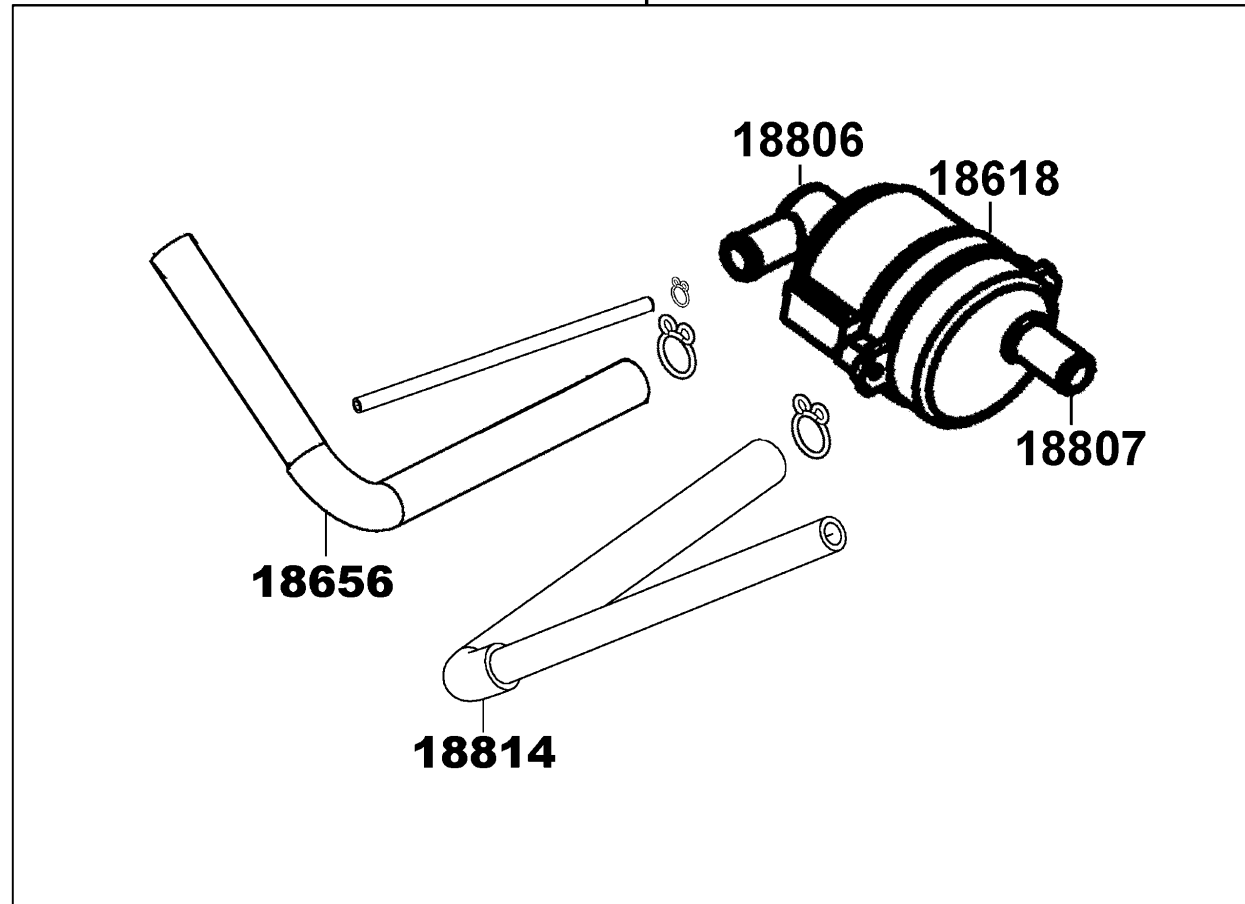
F21

Air Cleaner Two

95002



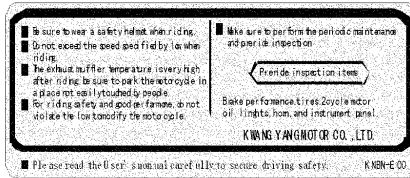
18800



Sales mark	Ref no	Part no	Description	Reg description	Regd no	F21
	18618	18618-KBE2-900	RUBBER AI CLEANER MOUNT	RUBBER AI CLEANER MOUNT	1	
	18656	18656-LHB3-E10	TUBE AI/C TO REED VALVE	TUBE AI/C TO REED VALVE	1	
	18800	18800-LHB3-E10	AI CLEANER ASSY	AI CLEANER ASSY	1	
	18806	18806-KBE2-900	CASE AI CLEANER	CASE AI CLEANER	1	
	18807	18807-KBE2-900	COVER AI CLEANER	COVER AI CLEANER	1	
	18814	18814-LHB3-E10	DUCT AI CLEANER	DUCT AI CLEANER	1	
	95002	95002-KKD6-E05	CLAMP D18 TUBE	CLAMP D18 TUBE	1	

F22

Emblem Stripe



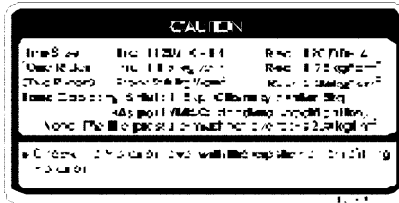
87560



86102-LHB3



87140



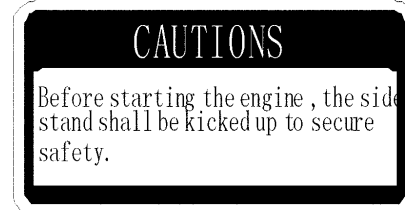
87505



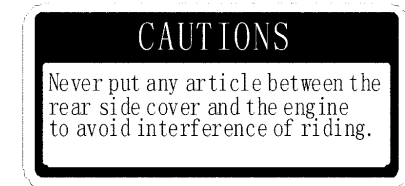
86201



86102-LEJ2



87541-GAR1



87542



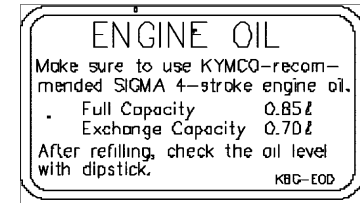
86282

86283



86221

86231



87541-KGBG



86284

86286

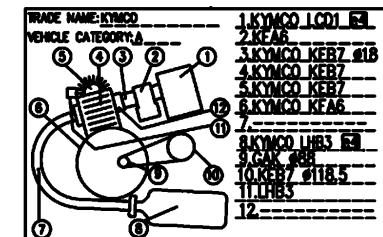


87556



86285

86287



87224

Sales mark	Ref no	Part no	Description	Reg description	Regd no	F22
**	86102-LEJ2	86102-LEJ2-E00	STRIPE K-LOGO 22MM	STRIPE K-LOGO 22MM	1	
**	86102-LHB3	86102-LHB3-E00	MARK KYMCO	MARK KYMCO	2	
**	86201	86201-LHB3-E00	STRIPE BODY COVER	STRIPE BODY COVER	2	
**	86221	86221-LHB3-E00	STRIPE R BODY COVER	STRIPE R BODY COVER	1	
**	86231	86231-LHB3-E00	STRIPE L BODY COVER	STRIPE L BODY COVER	1	
**	86282	86282-LHB3-E00	STRIPE R FR COVER	STRIPE R FR COVER	1	
**	86283	86283-LHB3-E00	STRIPE L FR MOLD	STRIPE L FR MOLD	1	
**	86284	86284-LHB3-E00	STRIPE B R SIDE MOLD	STRIPE B R SIDE MOLD	1	
**	86285	86285-LHB3-E00	STRIPE C L SIDE MOLD	STRIPE C L SIDE MOLD	1	
**	86286	86286-LHB3-E00	STRIPE B L SIDE MOLD	STRIPE B L SIDE MOLD	1	
**	86287	86287-LHB3-E00	STRIPE C L SIDE MOLD	STRIPE C L SIDE MOLD	1	
**	87140	87140-LHB3-E00	STRIPE MARK 50-2T	STRIPE MARK 50-2T	2	
	87224	87224-LHB3-EZ0	CAUTION ANTI TAMPERING	CAUTION ANTI TAMPERING	1	
	87505	87505-LEJ2-E01	LABEL TIRE	LABEL TIRE	1	
**	87556	87556-LHB3-E00	STRIPE GRAB RR	STRIPE GRAB RR	2	

PART NO. INDEX

PART NO.	VERSION	PAGE	PART NO.	VERSION	PAGE	PART NO.	VERSION	PAGE	
11000			13101-GLW0-901	2	E03	17112-KEB7-900	1	E01	
			13111-1F66-C00	0	E03	17200-LCD1-E00	1	F13	
			13115-1F56-C00	0	E03	17205-KFA6-900	0	F13	
	11100-KEB7-C00	0	E01			1723A-LCD1-E00	1	F13	
	11102-1G87-C00	0	E01	14000		1723B-LCD1-E00	1	F13	
	11108-KEB7-C00	0	E07			17502-1G87-001	0	F10	
	11200-KFA6-900	2	E01	14100-KEB7-C00	0	E01	1750A-LEJ2-E10	0	F10
	11205-GHAH-C00	0	E04			17620-LBA8-C10	0	F10	
	11205-KED5-C00	0	E01	15000		17683-LHB3-E10	02	F10	
	11208-LHB3-E10	0	F18			17684-LHB3-E10	0	F10	
	11341-KFA6-900	0	E04	15100-KEB7-E00	0	E06	17910-LHB3-E10	0	F03
	11345-LHB3-E10	0	F20	1510A-LCD1-E00	1	E06			
11395-KFA6-C00	0	E04	15110-KEB7-900	0	E06	18000			
11396-KFA6-C00	0	E04	1551A-LCD1-E00	0	E06				
12000			16000			18291-KKC4-900	3	F14	
12101-KEB7-C00	0	E02	1610K-KFA6-E05	1	E09	18291-LBA7-900	2	F14	
12191-KEB7-C00	0	E02	1621A-GKAK-901	0	E01	18292-KEBE-900	0	F14	
12201-KEB7-C00	0	E02	1691A-LEJ2-E10	0	F10	18293-KECE-900	4	F14	
12251-KEB7-C00	0	E02	16950-LCA3-B50	1	F10	18294-KEBE-900	0	F14	
13000			17000			18295-KECE-900	0	F14	
1300A-GKAK-920	6	E03	17100-KEB7-901	1	E01	1830A-LHB3-E10	1	F14	
13011-GLW0-90A	4	E03	17111-KEB7-900	0	E01	18318-LHB3-E10	0	F14	
						18341-LHB3-E10	0	F14	
						1860A-KFB5-EZ0	2	F14	
						18618-KBE2-900	0	F21	
						18656-LHB3-E10	1	F21	

PART NO. INDEX

PART NO.	VERSION	PAGE	PART NO.	VERSION	PAGE	PART NO.	VERSION	PAGE
18800-LHB3-E10	1	F21	22132-GLW0-001	2	E05	28281-GBN2-60A	1	E05
18806-KBE2-900	1	F21	22300-KXCX-900	2	E05	28300-KNBN-901	3	F15
18807-KBE2-900	3	F21						
18814-LHB3-E10	0	F21	23000			30000		
19000			23010-KEB7-220	0	E05	30410-LHB3-E10	1	F19
			2301A-KEB7-220	0	E05	3051A-KELE-901	4	F19
19411-KNBN-900	1	F20	23100-KEB7-900	0	E05			
19510-GBW2-901	2	E07	23200-GAR1-220	1	E05	31000		
19600-KEB7-900	0	E07	23220-GKAK-220	1	E05			
1962A-KEB7-E00	1	E07	23225-GAR1-751	0	E05	31100-LHB3-E10	0	E07
			23233-GHE8-001	2	E05	31110-KEB7-90A	2	E07
21000			23237-GAR1-220	0	E05	31120-LHB3-E10	1	E07
			23238-GGS7-011	0	E05	31200-LHB3-E10	0	E06
21200-KFA6-900	0	E08	23411-KFA6-900	0	E08	31209-GKAK-901	3	E06
21395-KFA6-900	0	E08	23420-KFA6-900	0	E08	31500-GFY6-94A	4	F11
			23431-LHB3-C00	0	E08	31600-LCD3-E0B	3	F19
22000			23432-KFA6-900	0	E08			
			28000			32000		
22100-GAR1-751	0	E05				32100-LHB3-E10	2	F19
22102-KEB7-900	0	E05				32101-GFY6-901	1	F04
22103-KEB7-900	0	E05	28211-KEB7-900	1	E05			
22105-KEB7-E00	1	E05	2823A-GKAK-900	0	E05			
22110-KFA1-220	1	E05	28250-KCCC-900	2	E05	33000		
22121-GLW0-901	2	E05	28253-GBN2-60A	0	E05			
22131-GHAH-781	0	E05	28255-GFS6-001	0	E05	33100-LHB3-E10	0	F01

PART NO. INDEX

PART NO.	VERSION	PAGE	PART NO.	VERSION	PAGE	PART NO.	VERSION	PAGE
33102-LHB3-E10	0	F01				4314A-LCD3-E00	2	F08
33400-LEJ2-E10	0	F17	37000			43410-LCD3-E00	2	F08
33450-LEJ2-E10	0	F17				43450-LHB3-E10	0	F03
33700-LEJ2-E10	0	F18	37200-LHB3-E1A	0	F02	43452-GKAK-901	0	F03
33702-LEJ2-E10	0	F18	37201-LHB3-E1A	0	F02	43472-KHG8-001	1	F03
33720-LEJ2-E10	0	F18	37224-LHB3-E10	1	F02	43472-LEJ3-E10	0	F08
33731-LDC8-M30	0	F06	37802-GGA7-701	0	F10			
33741-KEBE-900	0	F18	3780A-LEJ2-E10	0	F10	44000		
34000			38000			44301-KXCX-900	4	F07
						44311-0F46-001	0	F07
34901-LDC8-E10	0	F01	38110-KGC4-B50	1	F19	44600-LEJ3-E10	0	F07
34903-LDC8-E10	0	F01	38300-KECE-900	2	F19	44601-LEJ3-E10	0	F07
			38500-KKDK-900	5	F19	44620-KFLF-930	1	F07
35000			3860A-LEJ2-E10	1	F19	44680-4L10-001	0	F07
						44710-LEJ3-E11	0	F07
35010-LEJ2-E10	0	F19	42000			44800-KFA6-900	0	F07
35151-LGB5-E10	1	F03				44830-LCD3-E00	4	F02
35152-KGBG-900	2	F03	42600-LEJ3-E10	0	F08			
3515A-LGB5-E10	3	F03	42601-LEJ2-E10	0	F08	45000		
35201-LGB5-E10	1	F03	42710-LEJ3-E10	0	F08			
35202-KGBG-900	3	F03				45105-LEJ2-E10	0	F04
3520A-LEJ2-E10	1	F03	43000			45106-LEJ2-E10	0	F04
35340-KKJ9-010	5	F03				45121-LEJ2-E10	0	F07
35400-LHB3-E10	0	F19	4312A-KUDU-900	4	F08	45126-LEJ2-E10	3	F04
35410-LHB3-E10	0	F10	43141-LCD3-E00	2	F08	45200-LEJ2-E1B	0	F04

PART NO. INDEX

PART NO.	VERSION	PAGE	PART NO.	VERSION	PAGE	PART NO.	VERSION	PAGE
45500-LDC8-E10	1	F04						
4550B-LEJ2-E10	0	F04	51000			53000		
45517-KFAF-910	0	F04						
50000			51400-LEJ2-E10	0	F06	53100-LEJ2-E10	3	F03
			51400-LEJ2-E10	1	F06	53102-KEC8-900	0	F03
			51400-LEJ2-E10	2	F06	53105-LBB5-E00	2	F03
50100-LHB3-E10	0	F20	51401-LEJ2-E10	0	F06	53125-GEN5-901	1	F03
50301-KGN7-671	2	F20	51410-LEJ2-E10	0	F06	53140-LEJ2-E10	0	F03
50302-2H68-011	2	F20	51412-LEJ2-E10	0	F06	53166-LEJ2-E10	0	F03
50306-1F96-001	0	F06	51420-LEJ2-E10	0	F06	53175-LDC8-E10	1	F04
50326-LEJ2-E10	0	F12	51422-LEJ2-E10	0	F06	53178-LCD1-E00	3	F03
50350-LHB3-E10	2	F20	51427-LEJ2-E10	0	F06	5317B-LCD1-E00	2	F03
50500-LHB3-E10	0	F15	51428-LEJ2-E10	0	F06	53200-LEJ2-E10	0	F06
50503-KEB7-900	1	F15	51429-LEJ2-E10	0	F06	53205-LEJ2-E10	0	F03
50505-KKD7-900	1	F15	51437-LEJ2-E10	0	F06	53205-LEJ2-E10	4	F03
5050A-LHB3-E10	0	F15	51500-LEJ2-E10	0	F06	53205-LEJ2-E10	5	F03
50530-LEJ2-E10	0	F15	51500-LEJ2-E10	1	F06	53206-LEJ2-E10	0	F03
50531-KEB7-E00	1	F15	51500-LEJ2-E10	2	F06	53211-GFY6-940	1	F06
50535-KEB7-W10	3	F15	51520-LEJ2-E10	0	F06	53212-2L50-011	1	F06
50550-KEB7-E00	1	F15				53214-2L50-001	2	F06
50613-LEJ2-E10	0	F20	52000			53215-2L50-001	1	F06
50650-LEJ2-E10	0	F20						
50711-LEJ2-E10	2	F20	52400-LHB3-E10	0	F16	55000		
50712-LEJ2-E10	3	F20						
5071A-LEJ2-E10	0	F20				55100-LHB3-E10	0	F10
5071B-LEJ2-E10	0	F20				55106-KEB7-900	2	F10

PART NO. INDEX

PART NO.	VERSION	PAGE	PART NO.	VERSION	PAGE	PART NO.	VERSION	PAGE
5510A-LHB3-E10	0	F10	64309-LEJ2-E10	0	F05			
55121-LCD1-E00	2	F10	64310-LEJ2-E10	0	F05	81000		
55200-LCD1-E00	1	E06	64313-LEJ2-E10	0	F05			
61000			64316-LCB9-C10	0	F05	81131-LEJ2-E10	0	F05
			64316-LCB9-C10	0	F12	81132-LCB9-C10	0	F05
			64323-LEJ2-E10	0	F05	81132-LEJ2-E10	0	F05
61100-LEJ2-E10	0	F06	64400-LEJ2-E10	0	F05	81133-KGBG-9000	0	F05
61110-LDC8-E90	0	F06				81134-KGBG-9000	2	F05
61112-LDC8-E90	0	F06	77000			81200-LEJ3-E10	0	F12
6111A-LDC8-E90	0	F06				81250-LHB3-E10	0	F12
64000			77200-LEJ2-E10	0	F09			
			77232-KCAC-901	2	F12	83000		
			77235-KGC4-E0B	2	F19			
64206-MLJ0-001	1	F06	77240-LEJ2-E10	5	F19	83500-LEJ2-E10	0	F12
64210-LEJ2-E10	0	F03				83510-LEJ2-E10	0	F12
64214-LEJ2-E10	0	F03	80000			83520-LEJ2-E10	0	F12
64215-LEJ2-E10	0	F03				83550-KEC8-900	2	F03
64224-LEJ2-E10	0	F03	80100-LHB3-E10	0	F18	83551-KEC8-900	0	F03
64225-LEJ2-E10	0	F03	80101-LEJ2-E10	0	F18	83600-LEJ2-E10	0	F12
64301-LEJ2-E10	1	F05	80102-LCD1-E00	1	E01	83610-LEJ2-E10	0	F12
64302-LEJ2-E10	0	F05	80103-LCD1-E00	1	F18	83620-LEJ2-E10	0	F12
64303-LEJ2-E10	0	F05	80105-LEJ2-E10	0	F18	83750-LEJ2-E10	0	F12
64305-LEJ2-E10	0	F05	80106-LEJ2-E10	1	F18			
64306-LEJ2-E10	0	F05	80107-KHLH-900	0	F14	86000		
64307-LEJ2-E10	0	F05	80151-LEJ2-E10	0	F12			
64308-LEJ2-E10	0	F05				86102-LEJ2-E00	2	F22

PART NO. INDEX

PART NO.	VERSION	PAGE	PART NO.	VERSION	PAGE	PART NO.	VERSION	PAGE
86102-LHB3-E00	0	F22	88120-LEB5-C10	1	F03	90121-GFY6-901	1	F20
86102-LHB3-E00	2	F22				90131-GLW0-911	0	F04
86201-LHB3-E00	0	F22	89000			90145-9A61-011	1	F04
86221-LHB3-E00	0	F22				90301-GFY6-901	2	F14
86231-LHB3-E00	0	F22	89010-GGS7-C00	3	F09	90301-LEJ2-E10	1	F10
86282-LHB3-E00	0	F22	89020-KKC4-900	1	F09	90302-GFY6-901	1	F03
86283-LHB3-E00	0	F22				90302-GFY6-901	1	F06
86284-LHB3-E00	0	F22	90000			90302-SDA4-004	2	F05
86285-LHB3-E00	0	F22				90302-SDA4-004	2	F12
86286-LHB3-E00	0	F22	90001-GKAK-901	0	E02	90304-GHE8-004	4	F03
86287-LHB3-E00	0	F22	9000A-KTDT-900	1	E04	90304-GHE8-004	4	F20
			90105-KCR3-001	1	F07	90305-GHK8-001	1	F03
87000			90106-GEN5-901	1	F03	90305-GHK8-001	1	F06
			90106-GFY6-901	0	F20	90305-GHK8-001	1	F12
87140-LHB3-E00	0	F22	90106-KFAF-900	2	F20	90305-KNBN-90B	0	F08
87224-LHB3-EZ0	0	F22	90106-KFC2-900	0	F03	90306-KLF0-004	4	F07
87505-LEJ2-E01	1	F22	90106-KUDU-900	1	F20	90381-GEZ5-001	1	F12
87541-GAR1-E01	1	F22	90108-KFA6-E00	1	F15	90412-3K29-001	0	E05
87541-KGBG-E00	0	F22	90110-GLW0-001	0	F05	90426-KNBN-901	0	E05
87542-GAR1-E01	2	F22	90110-KEB7-900	1	F06	90429-KNBN-901	0	E08
87556-LHB3-E00	0	F22	90110-LCD1-E00	2	F14	90451-GBN2-601	0	E05
87560-KNBN-E00	1	F22	90111-1G87-001	1	F05	90474-3C33-001	1	E01
			90111-1G87-00A	1	F12	90501-KNBN-901	0	F08
88000			90112-KRDR-900	0	F19	90544-LEJ2-E10	0	F06
			90116-LEJ2-E10	0	F06	90545-3L00-001	2	F04
88110-LEB5-C10	1	F03	90120-GAR1-J00	0	E01	90652-KTCT-900	1	F13

PART NO. INDEX

PART NO.	VERSION	PAGE	PART NO.	VERSION	PAGE	PART NO.	VERSION	PAGE
90656-GFY6-911	1	F03	91258-4L10-00A	1	F07	93903-34380	0	F17
90656-KUDU-900	0	F19	91301-KEA5-742	0	E05	93903-34380	0	F18
90668-LEJ2-E10	0	F06	91302-PKA9-004	0	E05	93903-35220	0	F02
90683-GAR1-004	4	F05	91352-KHG8-83A	0	F08	93903-35220	0	F03
90683-GAR1-004	4	F18				93903-GFY6-900	2	F05
			92000			93903-GFY6-900	2	F12
						93903-GFY6-900	2	F18
						94000		
			92700-06028-1B	0	E02			
91001-GLW0-90A	6	E01						
91004-KBN2-90A	0	E01	93000					
91004-KBN2-90A	0	E08				94001-12280-0S	0	E05
91004-KNBN-92A	0	E01	93404-06012-07	0	F05	94050-05080	0	F06
91006-KNBN-901	5	E01	93404-06012-07	0	F18	94050-05080	0	F18
91009-GLE0-004	1	E08	93404-06012-07	0	F20	94050-06080	0	F09
91014-LLJ3-E00	1	F06	93404-06016-07	0	F10	94050-06080	0	F20
91015-LLJ3-E00	1	F06	93404-06016-08	0	F12	94050-10080	0	E05
91102-GLW0-009	0	E03	93404-06020-07	0	F05	94050-10080	0	E07
91201-KNBN-92A	0	E01	93404-06020-07	0	F18	94101-06700	0	F14
91202-KNBN-92A	0	E01	93404-06022-07	0	F06	94102-08800	0	F15
91202-KNBN-92A	0	E05	93500-05012-0H	0	E06	94201-20150	0	F15
91204-KNBN-90A	1	E01	93500-05025	0	F03	94301-10200	0	E01
91211-GHK8-014	0	E05	93700-05018-0H	0	F02	94510-20000	0	E08
91251-LEJ2-E10	0	F06	93903-34380	0	F01	94511-14000	0	E05
91252-OL30-00A	0	F07	93903-34380	0	F03	94608-LEJ2-E10	0	F06
91254-LEJ2-E10	0	F06	93903-34380	0	F05			
91255-GLE0-004	4	E08	93903-34380	0	F12			

PART NO. INDEX

PART NO.	VERSION	PAGE	PART NO.	VERSION	PAGE	PART NO.	VERSION	PAGE
95000			95801-08040-08	0	F06			
			95801-08050-06	1	F14	98000		
			95801-10035-08	0	F16			
95002-KKD6-E05	0	F21	95801-10100-08	0	F20	98076-5871G-00	0	E02
95012-LEJ2-E10	0	F11	95801-10130-08	0	F20	98200-10700	0	F11
95701-06012-08	0	F03	95801-KFA6-E00	1	F14			
95701-06012-08	0	F06						
95701-06012-08	0	F10	96000					
95701-06012-08	0	F19						
95701-06014-08	0	F19	96001-06008-07	1	F14			
95701-06016-08	0	F19	96001-06012-08	0	E07			
95701-06016-08	0	F20	96001-06012-08	0	F18			
95701-06020-07	0	F14	96001-06016-08	0	E07			
95701-06020-08	0	F03	96001-06016-08	0	F18			
95701-06022-07	0	F15	96001-06022-08	0	E07			
95701-06025-08	0	E07	96001-06022-08	0	F04			
95701-06032-08	0	F08	96001-06025-08	0	E01			
95701-06035-08	0	E01	96001-06025-08	0	E06			
95701-06040-08	0	E01	96001-06032-08	0	E06			
95701-06040-08	0	F13	96001-06040-07	0	F20			
95701-08012-08	0	E01	96001-06045-08	0	E01			
95701-08012-08	0	F19	96001-06055-08	0	E01			
95701-08028-08	0	F12	96100-62033-00	0	E01			
95701-08040-08	3	F12	96120-63010-10	0	F07			
95701-LDC8-E10	0	F19						
95801-08032-08	0	F16						