

PARTS CATALOGUE



SCOOTERS

KL10SE(FL)

SUPER 8



Date : 2009/08/14

ABOUT THIS PARTS LIST

- This parts list is compiled all service parts for model KL10SE(FL).
- Any difference between color chart and motorcycle will be revised according to motorcycle.
- The sales mark:
 1. marking "***" must add color code in the end before ordering parts.
- When modification or additions to this parts list are made a revised edition at an appropriate time.

CONTENTS

● ABOUT THIS PARTS LIST	1
● COLOR CHART OF KL10SE(FL)	3
● CONTENTS-ENGINE GROUP	5
● CONTENTS-FRAME GROUP	6
● ENGINE PARTS LIST	9
● FRAME PARTS LIST	33
● PART NO. INDEX	85

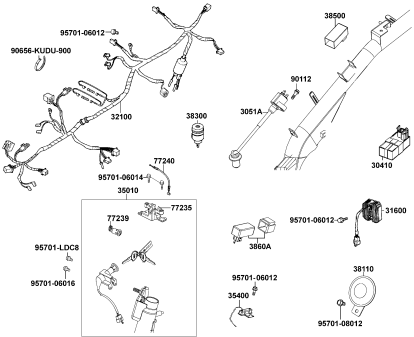
NO	MODEL			KL10SE(FL) COLOR CHART			
	PHOTO NO			NO. 1	NO. 2	NO. 3	NO. 4
	BASIC COLOR			Orange-Bright Silver	Vivid Yellow-Bright Blue	Mat Black Metallic-Green	Bright Red-Black
	CODE			Orange-Bright Silver	Vivid Yellow-Bright Blue	Mat Black Metallic-Green	Bright Red-Black
	PARTS NAME	PARTS NO.	VERSION	MR068	YR039	NH125	RR136
1	COVER HANDLE FR	53205-LEJ2-E10	0	41P	Y3P	HJP	R9P
2	FENDER FR	61100-LEJ2-E10	0				
3	COVER FR	64301-LEJ2-E10	1				
4	SKIRT R SIDE	64305-LEJ2-E10	0				
5	SKIRT L SIDE	64306-LEJ2-E10	0				
6	COVER R BODY	83500-LEJ2-E10	0				
7	COVER L BODY	83600-LEJ2-E10	0				
8	COVER RR CENTER	83750-LEJ2-E10	0				
9	CARRIER RR	81200-LEJ3-E10	0				
10	MOLE R SIDE	64302-LEJ2-E10	0	N8P	BAP	Q5P	N1P
11	MOLE L SIDE	64303-LEJ2-E10	0				
12	COVER FR TOP	64309-LEJ2-E10	0				
13	CARRIER RR	81200-LEJ2-E10	0				
14	COVER R SIDE	83520-LEJ2-E10	0				
15	COVER L SIDE	83620-LEJ2-E10	0				
16	MIRROR ASSY R BACK	88110-LEB5-C10	1	NEA			
17	MIRROR ASSY L BACK	88120-LEB5-C10	1	NE			
18	COVER COMP L SIDE	11340-LEJ2-E10	0	NE			
19	WHEEL ASSY RR	42600-LEJ3-E10	0	NE			
20	WHEEL CAST RR	42601-LEJ2-E10	0	NE			
21	WHEEL ASSY FR	44600-LEJ3-E10	0	NE			
22	WHEEL CAST FR	44601-LEJ3-E10	0	NE			
23	STOPPER LUGGAGE	81133-KGBG-9000	0	NH268			
24	HOOK LUGGAGE	81134-KGBG-9000	2	NH268			
25	STRIPE K-LOGO 22MM	86102-LEJ2-E00	2	T02	T01		T02
DATE OF STARTING-SALES							
DATE OF END-SALES							

CONTENTS - FRAME GROUP

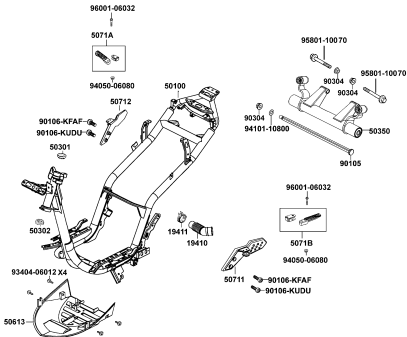
F10 Fuel Tank	F11 Battery	F12 Body Cover Luggage Box
F13 Air Cleaner	F14 Exhaust Muffler	F15 Stand Kick Starter Arm
F16 Rear Cushion	F17 Front Winker	F18 Tail Light

CONTENTS - FRAME GROUP

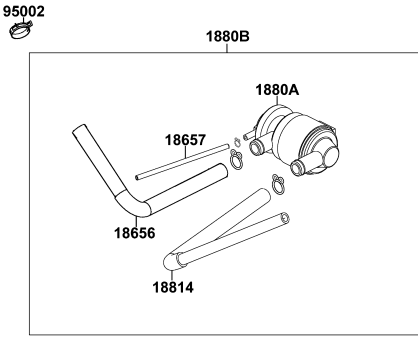
F19 Wire Harness



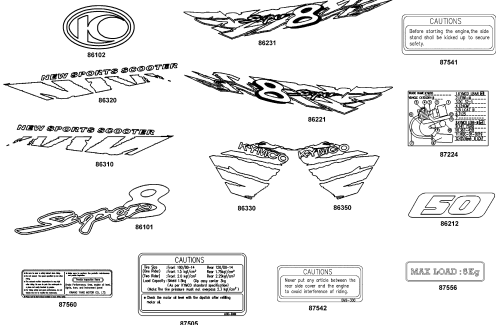
F20 Frame Body



F21 Air Cleaner Two

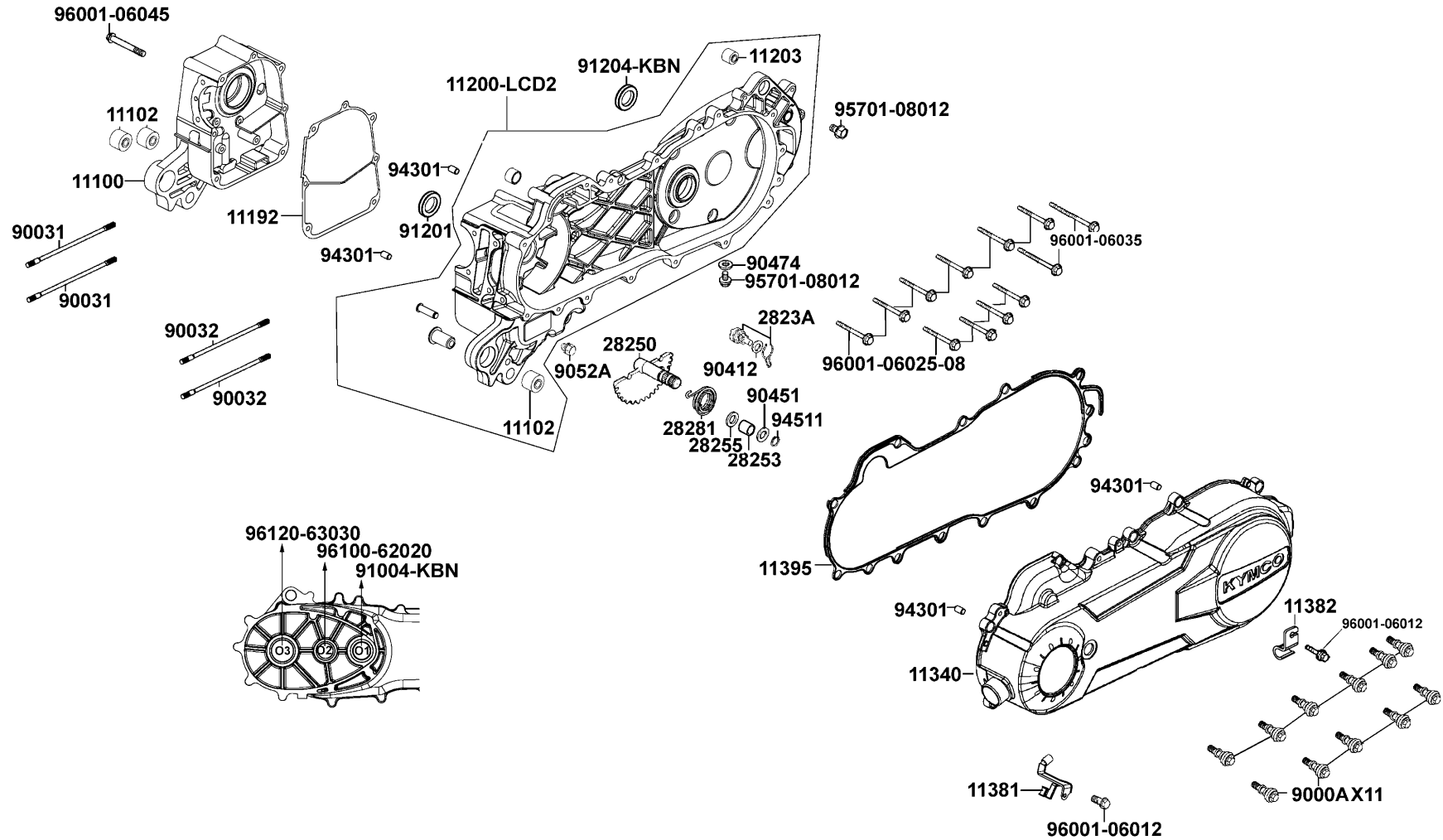


F22 Emblem Stripe



E01

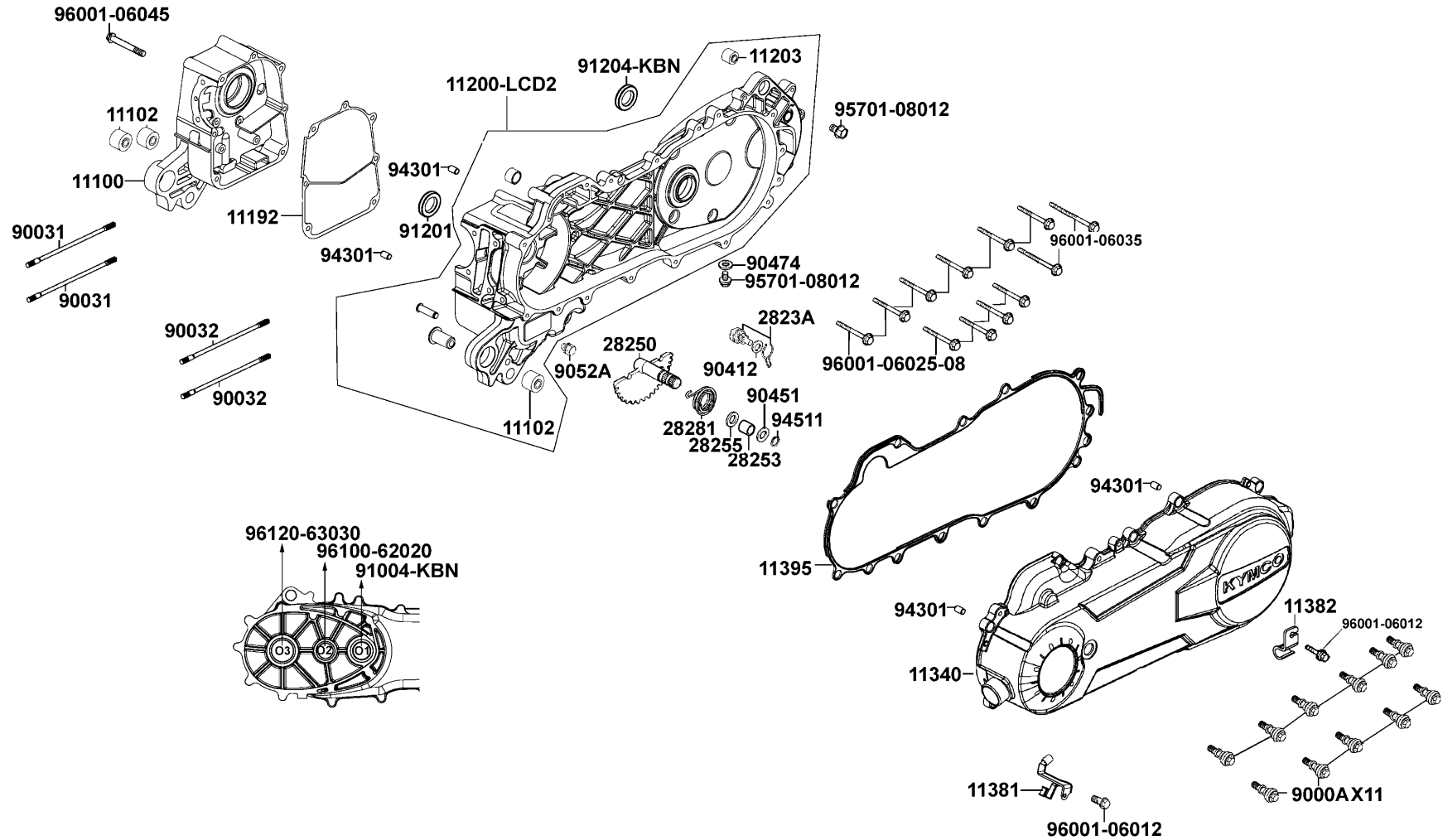
Crank Case



Sales mark	Ref no	Part no	Description	Reg description	Regd no	E01
	11100	11100-LBD6-E00	CRANK CASE COMP R	CRANK CASE COMP R	1	
	11102	11102-1G87-0040	RUB BUSH ENG HANGER	RUB BUSH ENG HANGER	3	
	11192	11192-KGBG-C10	"GASKET,CRANK CASE@A"	"GASKET,CRANK CASE@A"	1	
	11200	11200-LCD2-E00	CRANKCASE SET L	CRANKCASE SET L	1	
	11203	11203-GGC7-W10	UNDER RUBBER BUSH REAR CUSHION	UNDER RUBBER BUSH REAR CUSHION	1	
**	11340	11340-LEJ2-E10	COVER COMP L SIDE	COVER COMP L SIDE	1	
	11381	11381-LBC9-900	CLAMPER THROTTLE CABLE	CLAMPER THROTTLE CABLE	1	
	11382	11382-LCD2-E00	CLAMPER BRAKE CABLE	CLAMPER BRAKE CABLE	1	
	11395	11395-LCD2-E00	GASKET L COVER	GASKET L COVER	1	
	2823A	2823A-LBD6-E00	GEAR ASSY KICK DRIVEN	GEAR ASSY KICK DRIVEN	1	
	28250	28250-LEJ2-E10	"SPINDLE COMP,KICK STARTER"	"SPINDLE COMP,KICK STARTER"	1	
	28253	28253-GBN2-6020	BUSH KICK SPINDLE	BUSH KICK SPINDLE	1	
	28255	28255-GFS6-001	COLLAR KICK BOSS	COLLAR KICK BOSS	1	
	28281	28281-GBN2-6030	SPRING KICK RETURN	SPRING KICK RETURN	1	
	9000A	9000A-KTDT-900	BOLT ASSY SPECIAL 6*29.5	BOLT ASSY SPECIAL 6*29.5	11	
	90031	90031-KGBG-9010	BOLT A STUD 7X168	BOLT A STUD 7X168	2	
	90032	90032-KGBG-9010	BOLT B STUD 7X176	BOLT B STUD 7X176	2	
	90412	90412-3K29-001	WASHER THRUST10MM	WASHER THRUST10MM	1	
	90451	90451-GBN2-601	WASHER KICK SPINDLE	WASHER KICK SPINDLE	1	
	90474	90474-3C33-001	WASHER 8MM	WASHER 8MM	1	

E01

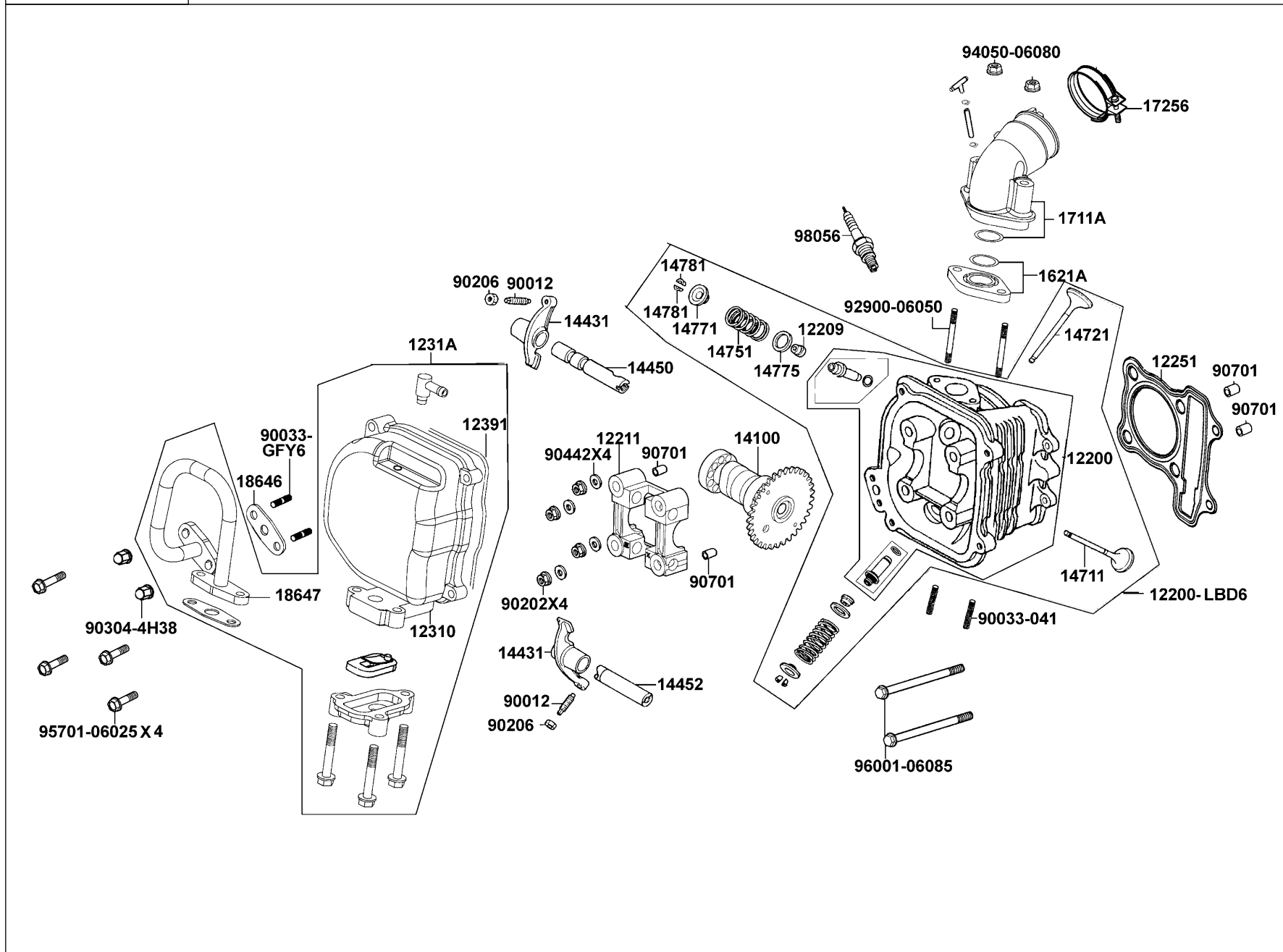
Crank Case



Sales mark	Ref no	Part no	Description	Reg description	Regd no	E01
	9052A	9052A-GFY6-9500	BOLT ASSY DRAIN PLUG	BOLT ASSY DRAIN PLUG	1	
	91004	91004-KBN-9210-M1	BRG BALL RADIAL 6203 SPC	BRG BALL RADIAL 6203 SPC	1	
	91201	91201-GFY6-9030	OIL SEAL 19.8*30*5	OIL SEAL 19.8*30*5	1	
	91204	91204-KBN-9010-M1	OIL SEAL 17*30*6	OIL SEAL 17*30*6	1	
	94301	94301-08140	DOWEL PIN 8*14	DOWEL PIN 8*14	4	
	94511	94511-14000	CIRCLIP EX 14	CIRCLIP EX 14	1	
	95701	95701-08012-08	BOLT FLANGE 8*12	BOLT FLANGE 8*12	2	
	96001-06012	96001-06012-08	BOLT FLANGE 6*12	BOLT FLANGE 6*12	2	
	96001-06025	96001-06025-08	BOLT FLANGE SH 6*25	BOLT FLANGE SH 6*25	10	
	96001-06035	96001-06035-08	BOLT FLANGE 6*35	BOLT FLANGE SH 6*35	2	
	96001-06045	96001-06045-08	BOLT FLANGE SH 6*45	BOLT FLANGE SH 6*45	1	
	96100	96100-62020-00	BEARING BALL RADIAL 6202	BEARING BALL RADIAL 6202	1	
	96120	96120-63030-10	BEARING BALL RADIAL 6303Z/2A	BEARING BALL RADIAL 6303Z/2A	1	

E02

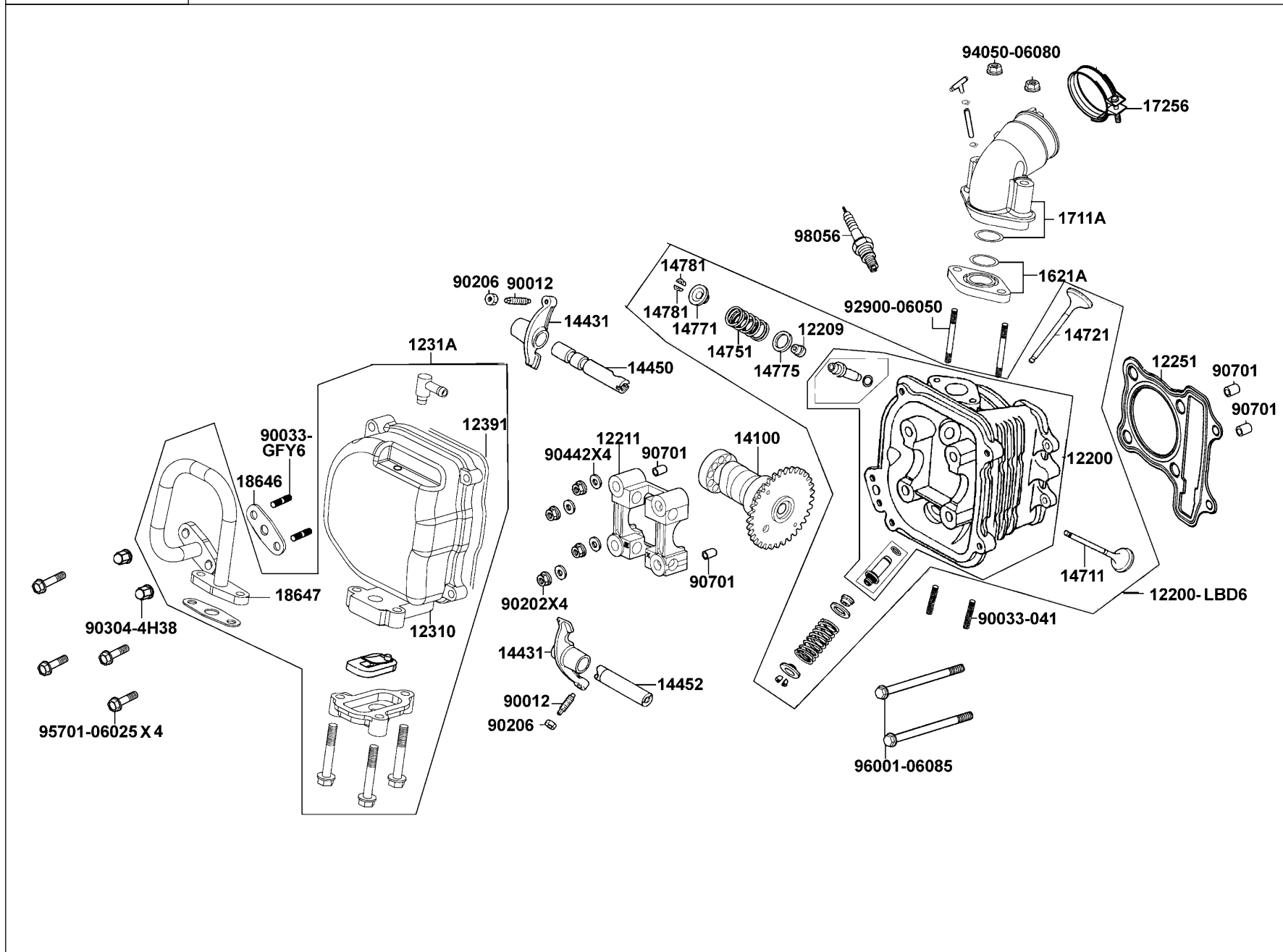
Cylinder Head



Sales mark	Ref no	Part no	Description	Reg description	Regd no	E02
	12200-KGBG	12200-KGBG-9100	HEAD COMP CYLN	HEAD COMP CYLN	1	
	12200-LBD6	12200-LBD6-405	"HEAD SET, CYLIN"	"HEAD SET, CYLIN"	1	
	12209	12209-GDB4-6820-M1	SEAL VALVE STEM	SEAL VALVE STEM	2	
	12211	12211-KGBG-9000-M1	HOLDER CAM SHAFT	HOLDER CAM SHAFT	1	
	12251	12251-KGBG-900	GASKET CYLINDER HEAD	GASKET CYLINDER HEAD	1	
	12310	12310-KHC5-900	COVER COMP HEAD	COVER COMP HEAD	1	
	1231A	1231A-KHC5-900	COVER ASSY HEAD	COVER ASSY HEAD	1	
	12391	12391-KEE1-900	GASKET HEAD COVER	GASKET HEAD COVER	1	
	14100	14100-KGBG-9000	SHAFT COMP CAM	SHAFT COMP CAM	1	
	14431	14431-KGBG-W10	ARM VALVE ROCKER	ARM VALVE ROCKER	2	
	14450	14450-KGBG-W10	SHAFT COMP IN ROCKER ARM	SHAFT COMP IN ROCKER ARM	1	
	14452	14452-KGBG-W10	SHAFT EXH ROCKER ARM	SHAFT EXH ROCKER ARM	1	
	14711	14711-KGBG-9000	VALVE INLET	VALVE INLET	1	
	14721	14721-KGBG-9000	VALVE EXHAUST	VALVE EXHAUST	1	
	14751	14751-GEN5-9000	SPRING VALVE OUTER	SPRING VALVE OUTER	2	
	14771	14771-GDB4-6800	RETAINER VALVE SPRING	RETAINER VALVE SPRING	2	
	14775	14775-MEA6-0010	SEAT VALVE SPG OUTER	SEAT VALVE SPG OUTER	2	
	14781	14781-MFA6-0010	COTTER VALVE	COTTER VALVE	4	
	1621A	1621A-KGBG-900	INSULATOR CARB ASSY	INSULATOR CARB ASSY	1	
	1711A	1711A-LEJ2-E10	PIPE ASSYAINLET	PIPE ASSYAINLET	1	

E02

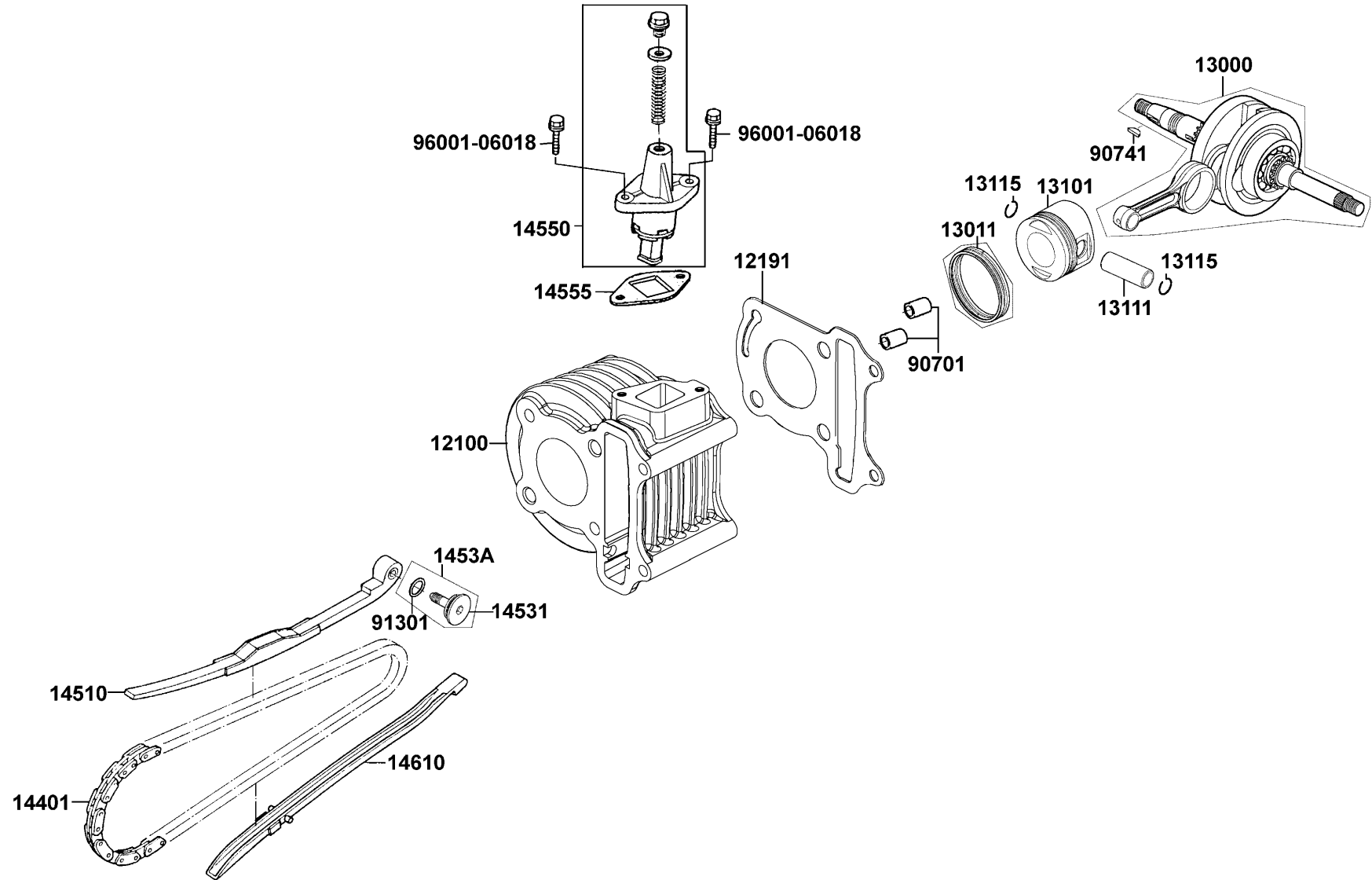
Cylinder Head



Sales mark	Ref no	Part no	Description	Reg description	Regd no	E02
	17256	17256-KGBG-900	BAND INSULATOR	BAND INSULATOR	1	
	18646	18646-GFY6-C10	GASKET A/I PIPE	GASKET A/I PIPE	1	
	18647	18647-GFY6-941	PIPE COMP AIR	PIPE COMP AIR	1	
	90012	90012-3C33-0010	SCREW TAPPET ADJUSTING	SCREW TAPPET ADJUSTING	2	
	90033-041	90033-041-0210	BOLT STUD 6*32	BOLT STUD 6*32	2	
	90033-GFY6	90033-GFY6-941	BOLT STUD 6*16	BOLT STUD 6*16	2	
	90202	90202-GFF6-011	NUT FLANGE 7M/M	NUT FLANGE 7M/M	4	
	90206	90206-0A01-0010	NUT TAPPET ADJG	NUT TAPPET ADJG	2	
	90304	90304-4H38-001	NUT HEX CAP 6MM	NUT HEX CAP 6MM	2	
	90442	90442-GFF6-011	WASHER SEALING 7MM	WASHER SEALING 7MM	4	
	90701	90701-GFF6-001	PIN DOWEL SPECIAL 8*14	PIN DOWEL SPECIAL 8*14	4	
	92900	92900-06050-0B	BOLT STUD 6*50	BOLT STUD 6*50	2	
	94050	94050-06080	NUT FLANGE 6MM	NUT FLANGE 6MM	2	
	95701	95701-06025-08	BOLT FLANGE 6*25	BOLT FLANGE 6*25	4	
	96001	96001-06085-06	BOLT FLANGE 6*85	BOLT FLANGE 6*85	2	
	98056	98056-5771R-00	SPARK PLUG (CR7HSA)	SPARK PLUG (CR7HSA)	1	

E03

Cylinder Piston Crankshaft

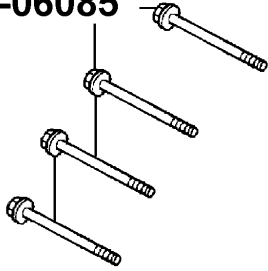


Sales mark	Ref no	Part no	Description	Reg description	Regd no	E03
12100		12100-KGBG-900	CYLINDER COMP	CYLINDER COMP	1	
12191		12191-KGBG-980	GASTET CYLINDER @ A	GASTET CYLINDER @ A	1	
13000		13000-KGBG-900	CRANK SHAFT COMP	CRANK SHAFT COMP	1	
13011		13011-KGBG-9010	RING SET PISTON	RING SET PISTON	1	
13101		13101-LCB9-B20	PISTON	PISTON	1	
13111		13111-KGBG-900	PIN PISTON	PIN PISTON	1	
13115		13115-0A01-001	PISTON PIN CLIP	PISTON PIN CLIP	2	
14401		14401-KGBG-9000	CHAIN CAM	CHAIN CAM	1	
14510		14510-KGBG-9000	TENSIONER CAM CHAIN	TENSIONER CAM CHAIN	1	
14531		14531-GLRO-W10	PIVOT CAM CHAIN TENSIONER	PIVOT CAM CHAIN TENSIONER	1	
1453A		1453A-GFY6-W10	PIVOT CAM CHAIN SET	PIVOT CAM CHAIN SET	1	
14550		14550-LDC8-C10	ADJUSTER CAM CHAIN	ADJUSTER CAM CHAIN	1	
14555		14555-KKJ9-C10	GASKETACAM CHAIN ADJUSTER	GASKETACAM CHAIN ADJUSTER	1	
14610		14610-KGBG-9000	GUIDE COMP CAM CHAIN	GUIDE COMP CAM CHAIN	1	
90701		90701-GFF6-001	PIN DOWEL SPECIAL 8*14	PIN DOWEL SPECIAL 8*14	2	
90741		90741-0E35-001	KEY WOODRUFF	KEY WOODRUFF	1	
91301		91301-GLRO-W10	O-RING 15.2*1.5	O-RING 15.2*1.5	1	
96001		96001-06018-08	BOLT FLANGE SH 6*18	BOLT FLANGE SH 6*18	2	

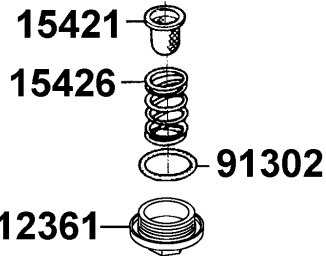
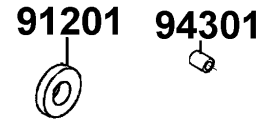
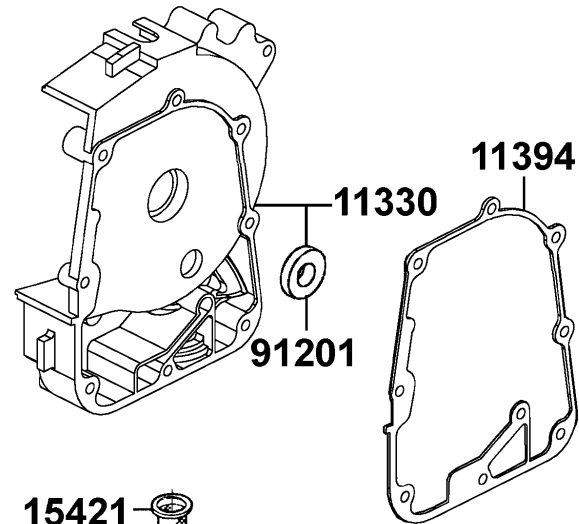
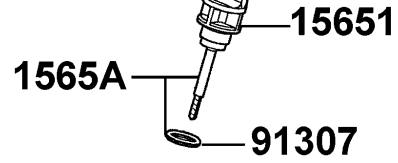
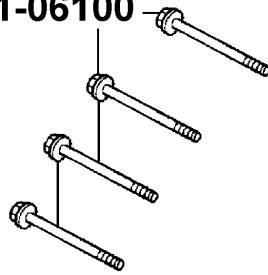
E04

Right Crankcase Cover

96001-06085



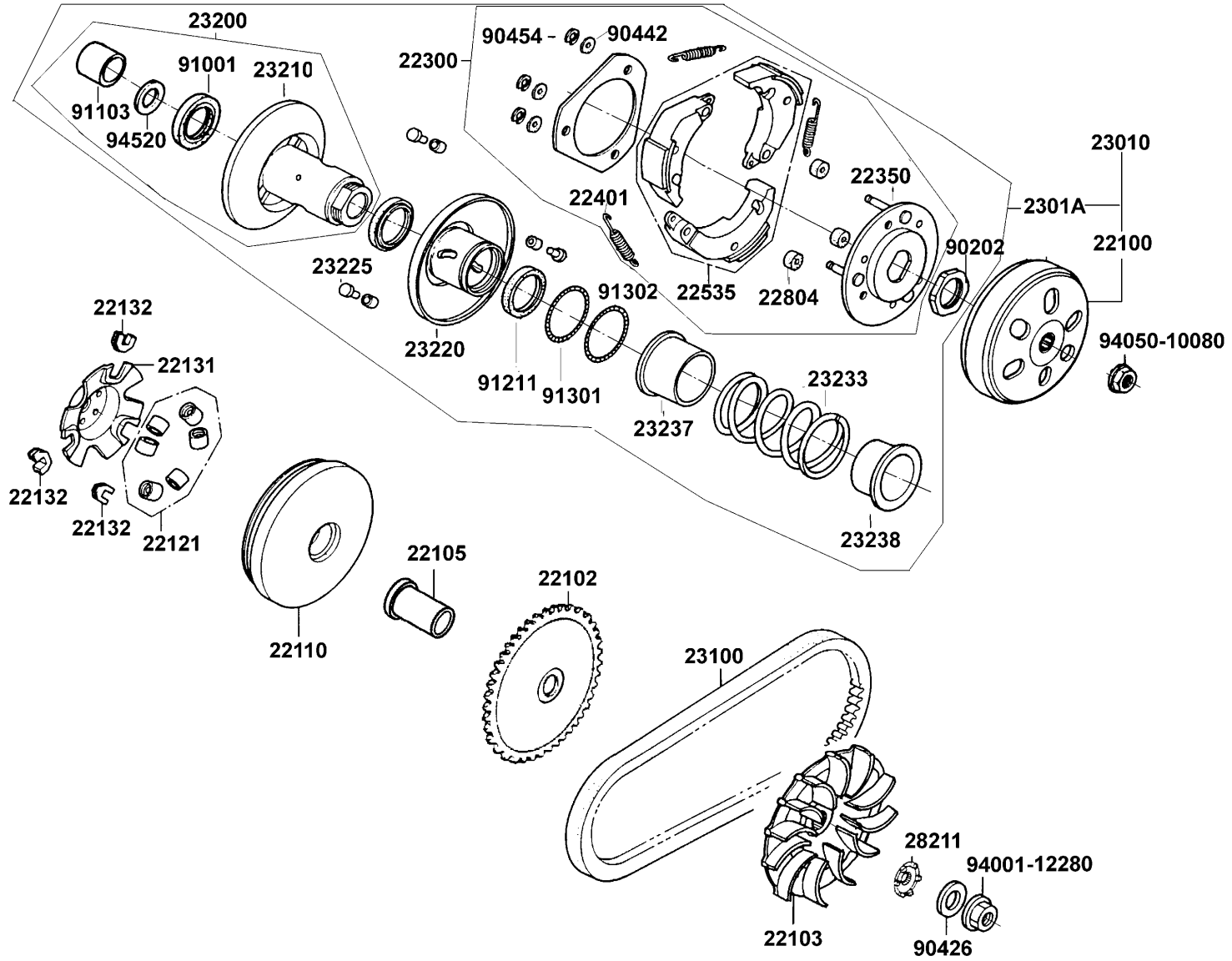
96001-06100



Sales mark	Ref no	Part no	Description	Reg description	Regd no	E04
	11330	11330-LBD6-E00	COVER R CRANK CASE	COVER COMP R CRANK CASE	1	
	11394	11394-KGBG-980	GASTER R COVER @ A	GASTER R COVER @ A	1	
	12361	12361-GFY6-9010	HOLE CAP TAPPET ADJUSTING	HOLE CAP TAPPET ADJUSTING	1	
	15421	15421-1G07-W10	SCREEN OIL FILTER	SCREEN OIL FILTER	1	
	15426	15426-GAE1-921	SPG OIL FILTER SCREEN	SPG OIL FILTER SCREEN	1	
	15651	15651-GFY6-9010	GAUGE OIL LEVEL	GAUGE OIL LEVEL	1	
	1565A	1565A-GFY6-900	GAUGE OIL LEVEL ASSY	GAUGE OIL LEVEL ASSY	1	
	91201	91201-KGBG-9000-M1	OIL SEAL 16.4*30*5	OIL SEAL 16.4*30*5	2	
	91302	91302-0A01-0210	O-RING 30.8MM	O-RING 30.8MM	1	
	91307	91307-0E35-W10	O-RING 18*3	O-RING 18*3	1	
	94301	94301-08140	DOWEL PIN 8*14	DOWEL PIN 8*14	2	
	96001-06085	96001-06085-06	BOLT FLANGE 6*85	BOLT FLANGE 6*85	4	
	96001-06100	96001-06100-08	BOLT FLANGE SH 6*100	BOLT FLANGE SH 6*100	4	

E05

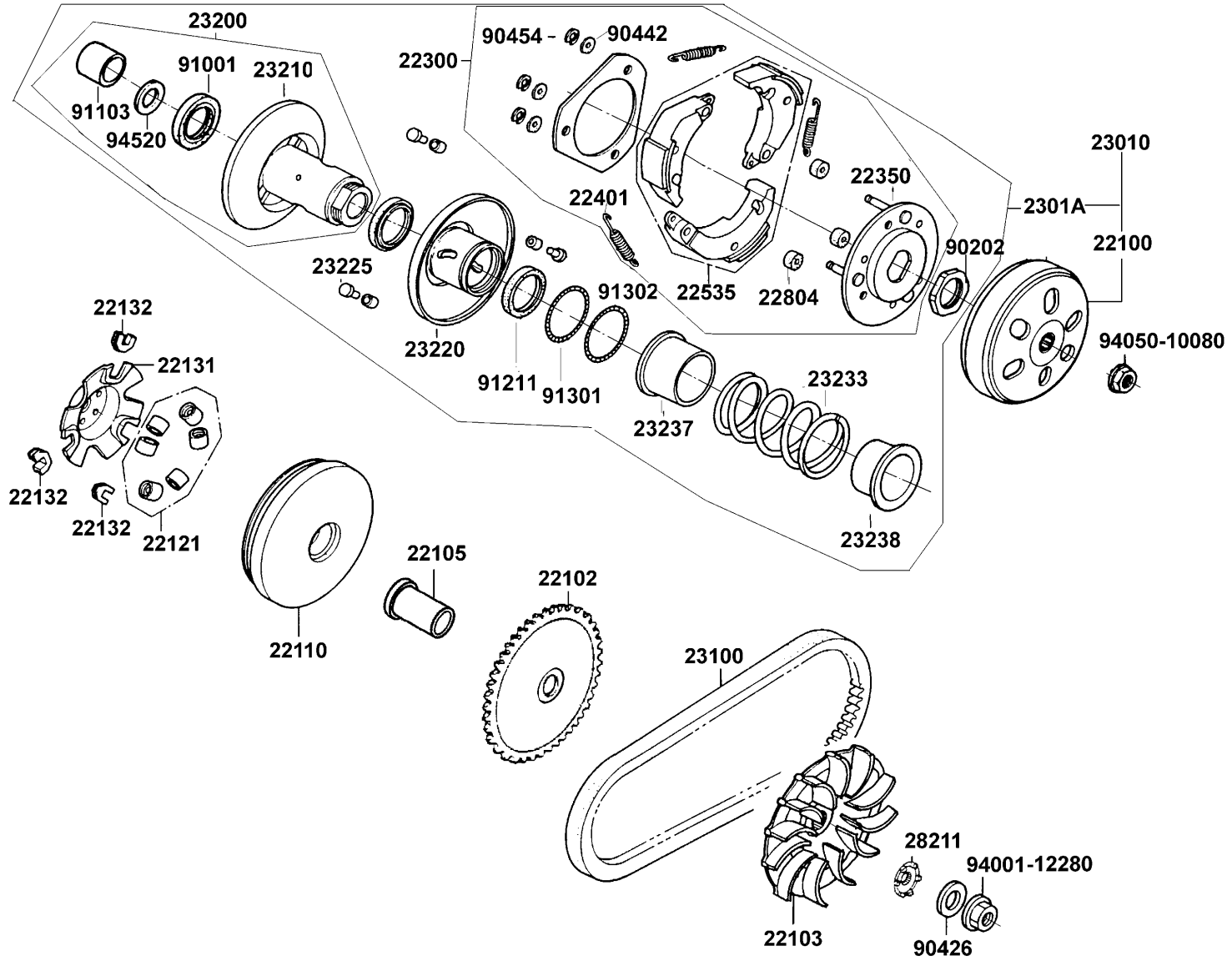
Driven Pulley



Sales mark	Ref no	Part no	Description	Reg description	Regd no	E05
	22100	22100-LDC8-E10	CLUTCH OUTER	CLUTCH OUTER	1	
	22102	22102-LDC8-E10	FACE DRIVE	FACE DRIVE	1	
	22103	22103-KEB7-900	FAN CVT COOLING	FAN CVT COOLING	1	
	22105	22105-LEJ2-E10	BOSS DRIVE FACE	BOSS DRIVE FACE	1	
	22110	22110-KFA1-2200	FACE COMP MOVABLE DRIVE	FACE COMP MOVABLE DRIVE	1	
	22121	22121-LBD6-E00	ROLLER COMP WEIGHT 6.5g	ROLLER COMP WEIGHT 6.5g	6	
	22131	22131-GHAH-7810	PLATE RAMP	PLATE RAMP	1	
	22132	22132-GLW0-0010	PIECE SLIDE	PIECE SLIDE	3	
	22300	22300-LDC8-E10	PLATE ASSY DRIVE	PLATE ASSY DRIVE	1	
	22350	22350-GKAK-930	PLATE COMP DRIVE	PLATE COMP DRIVE	1	
	22401	22401-LDC8-E10	SPRING CLUTCH	SPRING CLUTCH	3	
	22535	22535-GKAK-930	WEIGHT SET CLUTCH	WEIGHT SET CLUTCH	3	
	22804	22804-1H48-001	RUBBER CLUTCH DUMPER	RUBBER CLUTCH DUMPER	3	
	23010	23010-LDC8-E10	PULLEY ASSY DRIVEN	PULLEY ASSY DRIVEN	1	
	2301A	2301A-LDC8-E10	PULLEY SUB ASSY	PULLEY SUB ASSY	1	
	23100	23100-KEB7-900	BELT DRIVE	BELT DRIVE	1	
	23200	23200-GAR1-220	FACE ASSY DRIVEN	FACE ASSY DRIVEN	1	
	23210	23210-GAR1-220	FACE COMP DRIVEN	FACE COMP DRIVEN	1	
	23220	23220-LDC8-E10	FACE COMP MOVABLE	FACE COMP MOVABLE	1	
	23225	23225-GAR1-7510	PIN GUIDE	PIN GUIDE	3	

E05

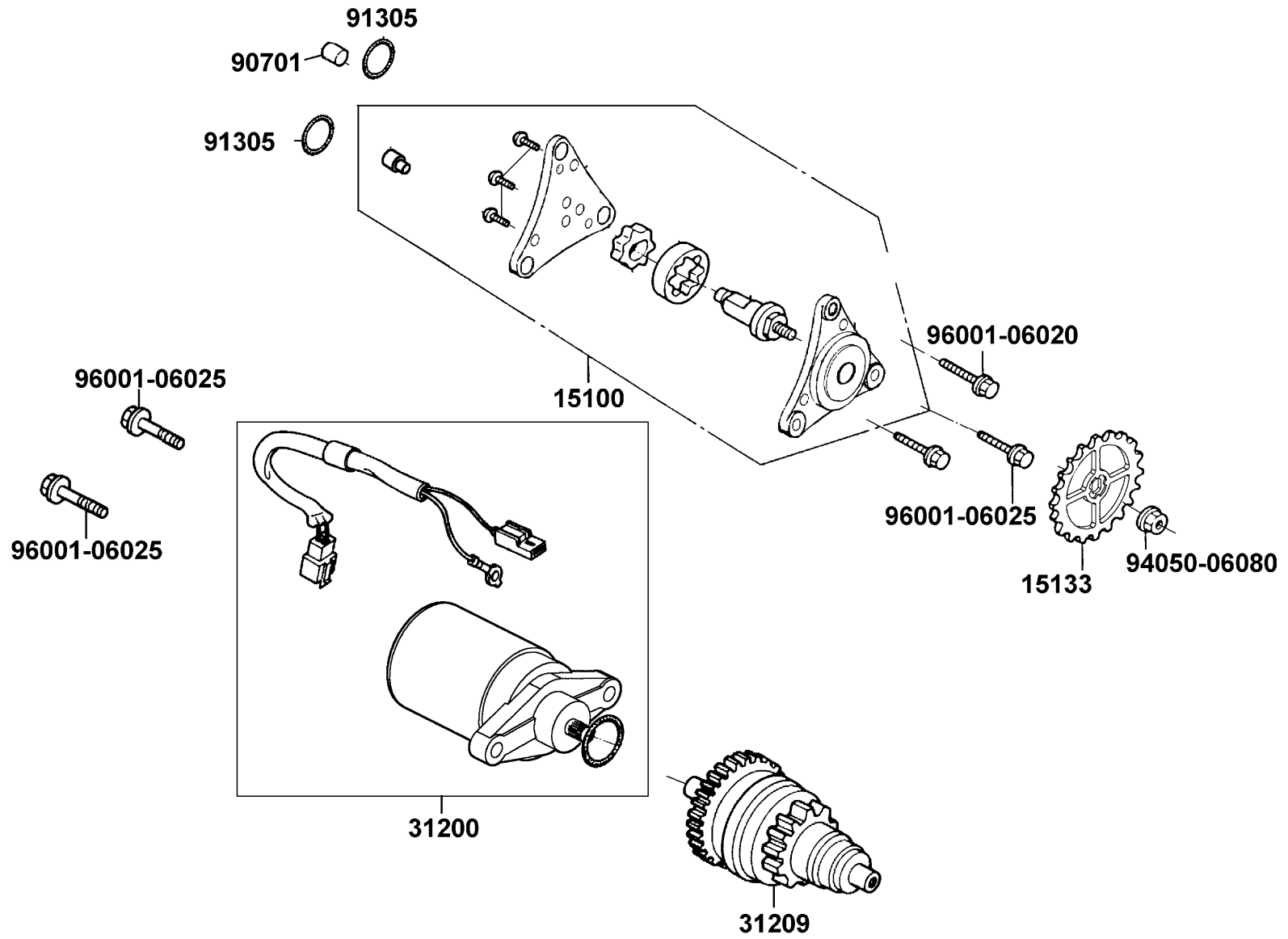
Driven Pulley



Sales mark	Ref no	Part no	Description	Reg description	Regd no	E05
	23233	23233-KEE1-900	SPG DRIVEN FACE	SPG DRIVEN FACE	1	
	23237	23237-GAR1-220	COLLAR SEAL	COLLAR SEAL	1	
	23238	23238-GGS7-0110	COLLAR SPG	COLLAR SPG	1	
	28211	28211-LDC8-W10	RATCHET KICK STARTER	RATCHET KICK STARTER	1	
	90202	90202-1G87-001	NUT SPECIAL 28MM	NUT SPECIAL 28MM	1	
	90426	90426-KNBN-901	WASHER SPECIAL 12MM	WASHER SPECIAL 12MM	1	
	90442	90442-0D44-001	6M/M THRUST WASHER	6M/M THRUST WASHER	3	
	90454	90454-GBB2-001	CIRCLIP 6MM	CIRCLIP 6MM	3	
	91001	91001-GA7-7010-M1	BRG RADIAL BALL 6901U	BRG RADIAL BALL 6901U	1	
	91103	91103-GAR1-004	BRG NEEDLE 17*25*18 WS	BRG NEEDLE 17*25*18 WS	1	
	91211	91211-KEE1-900	OIL SEAL 34*39*3	OIL SEAL 34*39*3	2	
	91301	91301-KEE1-900	O-RING 36*1.5	O-RING 36*1.5	1	
	91302	91302-KEE1-900	O-RING 39.8*2.2	O-RING 39.8*2.2	1	
	94001	94001-12280-0S	NUT HEX 12MM	NUT HEX 12MM	1	
	94050	94050-10080	NUT FLANGE 10MM	NUT FLANGE 10MM	1	
	94520	94520-24000	CIR CLIP IN 24	CIR CLIP IN 24	1	

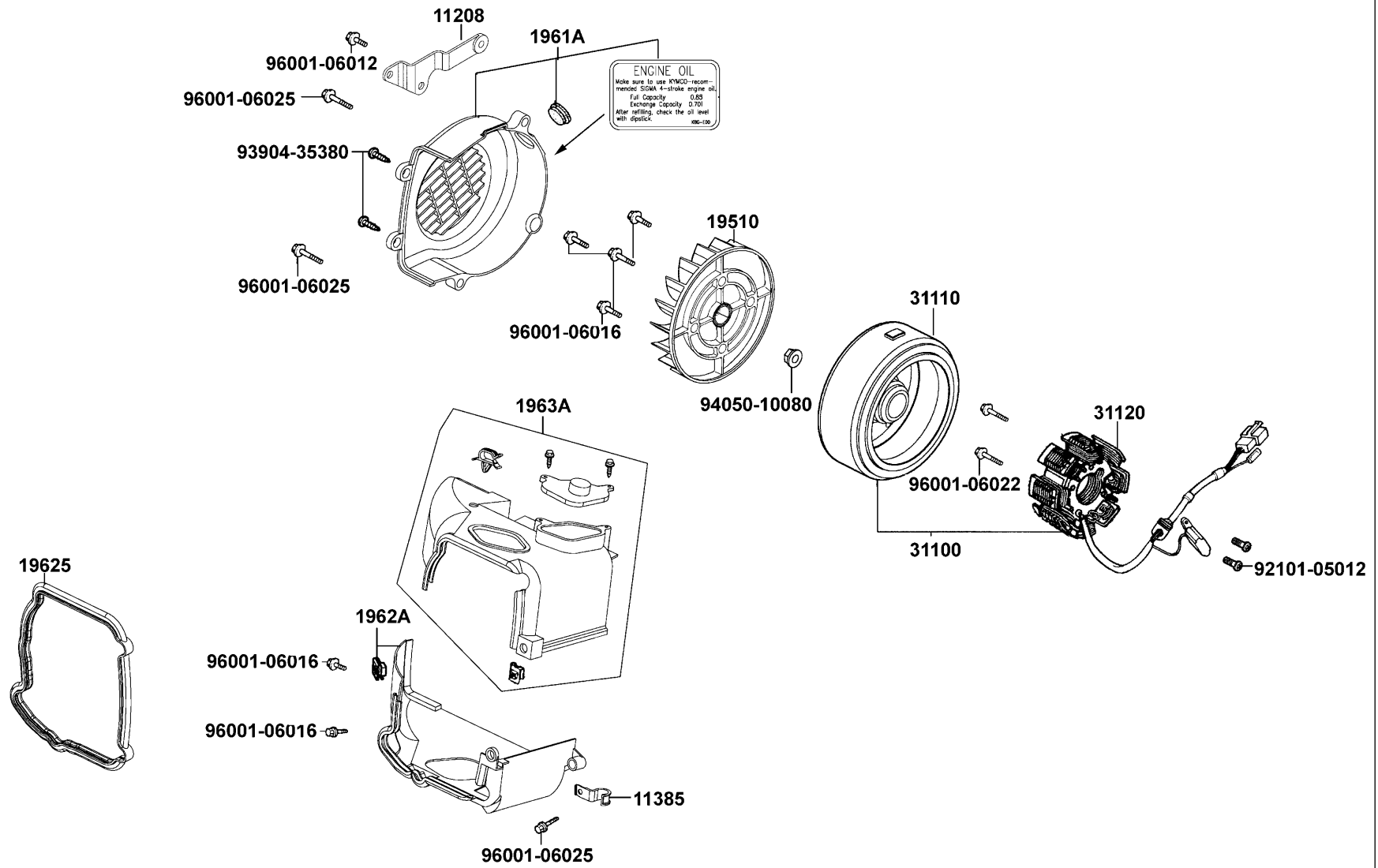
E06

Starting Motor Oil Pump



Sales mark	Ref no	Part no	Description	Reg description	Regd no	E06
	15100	15100-KGBG-9000	PUMP ASSY OIL	PUMP ASSY OIL	1	
	15133	15133-LDC8-C10	GEAR OIL PUMP DRIVEN	GEAR OIL PUMP DRIVEN	1	
	31200	31200-LEJ2-E10	MOTOR ASSY START	MOTOR ASSY START	1	
	31209	31209-KEE1-9000	PINION ASSY STARTER	PINION ASSY STARTER	1	
	90701	90701-HDC4-001	PIN DOWELL 8*12	PIN DOWELL 8*12	1	
	91305	91305-0H28-1590	O-RING 9*1.6	O-RING 9*1.6	2	
	94050	94050-06080	NUT FLANGE 6MM	NUT FLANGE 6MM	1	
	96001-06020	96001-06020-08	BOLT FLANGE SH 6*20	BOLT FLANGE SH 6*20	2	
	96001-06025	96001-06025-08	BOLT FLANGE SH 6*25	BOLT FLANGE SH 6*25	3	

Fan Cover Generator

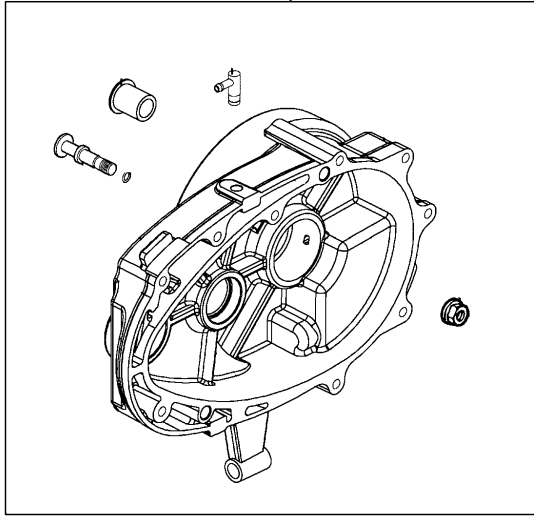


Sales mark	Ref no	Part no	Description	Reg description	Regd no	E07
11208		11208-LEJ2-E10	"STAY, RR TIRE FENDER"	"STAY, RR TIRE FENDER"	1	
11385		11385-GFY6-9010	CLAMPER CARB DRAIN TUBE	CLAMPER CARB DRAIN TUBE	1	
19510		19510-LDC5-900	FAN COMP COOLING	FAN COMP COOLING	1	
1961A		1961A-KGBG-E01	COVER ASSY FAN	COVER ASSY FAN	1	
19625		19625-KEE1-9000	SEAL SHROUD	SEAL SHROUD	1	
1962A		1962A-KEE1-900	SHROUD ASSY A	SHROUD ASSY A	1	
1963A		1963A-LDC8-E10	SHROUD ASSY B	SHROUD ASSY B	1	
31100		31100-LEJ2-E10	AC GEN ASSY	AC GEN ASSY	1	
31110		31110-LBD6-E0A	FLYWHEEL COMP	FLYWHEEL COMP	1	
31120		31120-LEJ2-E10	AC GEN ASSY	AC GEN ASSY	0	
92101		92101-05012-0H	BOLT HEX 5*12	BOLT HEX 5*12	2	
93904		93904-35380	SCREW TAPPING 5*16	SCREW TAPPING 5*16	2	
94050		94050-10080	NUT FLANGE 10MM	NUT FLANGE 10MM	1	
96001-06012		96001-06012-08	BOLT FLANGE 6*12	BOLT FLANGE 6*12	1	
96001-06016		96001-06016-08	BOLT FLANGE SH 6*16	BOLT FLANGE SH 6*16	6	
96001-06022		96001-06022-08	BOLT FLANGE SH 6*22	BOLT FLANGE SH 6*22	2	
96001-06025		96001-06025-08	BOLT FLANGE SH 6*25	BOLT FLANGE SH 6*25	3	

E08

Transmission

21200



91009

91255

21395

96100-60020

94301-10160

91003

96100-60020-00

91009-GLE0-004

91255-LDC8

23431

94510

94301-10160

23420

23411

23432

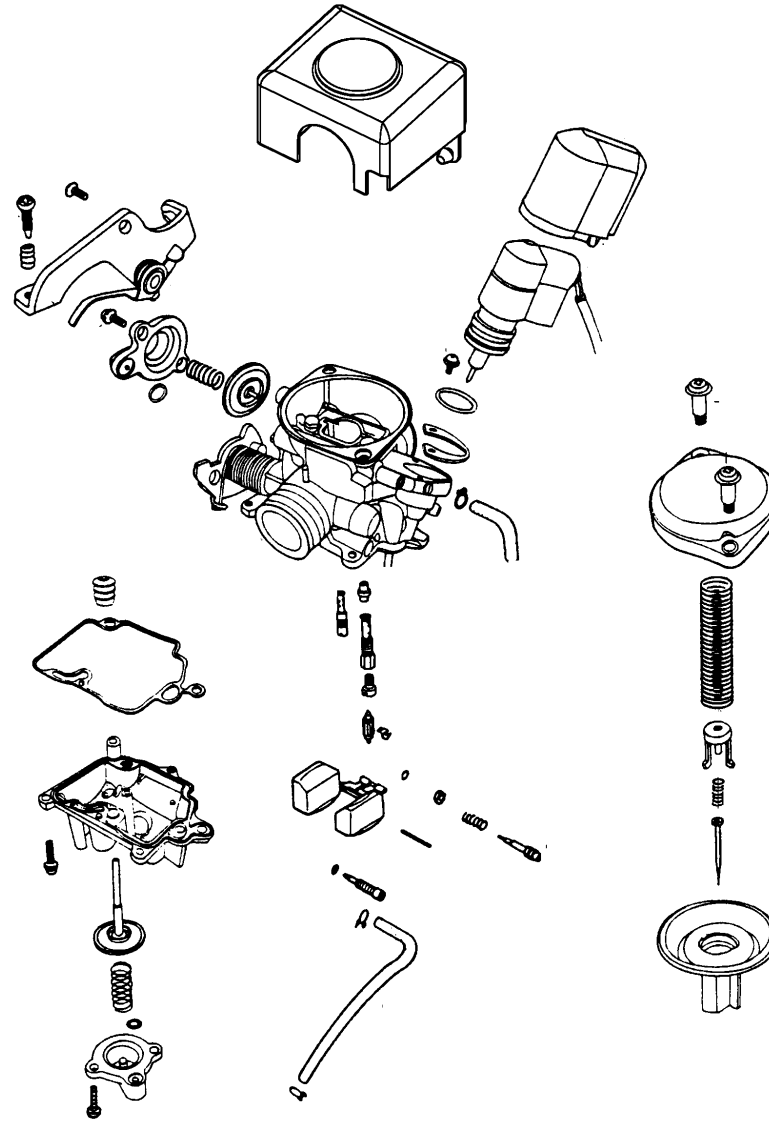
91003-KDS4-004

Sales mark	Ref no	Part no	Description	Reg description	Regd no	E08
	21200	21200-LCD2-E00	CASE SET MISSION	CASE SET MISSION	1	
	21395	21395-LCD2-E00	GASKET MISSION CASE	GASKET MISSION CASE	1	
	23411	23411-LCD2-E00	SHAFT DRIVEN	SHAFT DRIVEN	1	
	23420	23420-LCD2-E00	SHAFT COMP COUNTER	SHAFT COMP COUNTER	1	
	23431	23431-LEJ2-E10	SHAFT FINAL	SHAFT FINAL	1	
	23432	23432-LCD2-E00	GEAR FINAL	GEAR FINAL	1	
	91003	91003-KDS4-0040	BRG BALL RADIAL 6301TMB	BRG BALL RADIAL 6301TMB	1	
	91009	91009-GLE0-0040	BRG BALL RADIAL 6004 UU	BRG BALL RADIAL 6004 UU	1	
	91255	91255-LDC8-E10	OIL SEAL 27*42*7	OIL SEAL 27*42*7	1	
	94301	94301-10160	DOWEL PIN 10*16	DOWEL PIN 10*16	2	
	94510	94510-20000	CIR CLIP EX 20	CIR CLIP EX 20	1	
	96100	96100-60020-00	BRG BALL RADIAL 6002	BRG BALL RADIAL 6002	1	

E09

Carburetor

16100



Sales mark	Ref no	Part no	Description	Reg description	Regd no	E09
	16100	16100-LEJ2-E10	CARBURETOR ASSY	CARBURETOR ASSY	1	

F01

Head Light

93903-35320



93903-34220

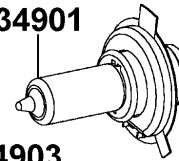


33100

93903-34220



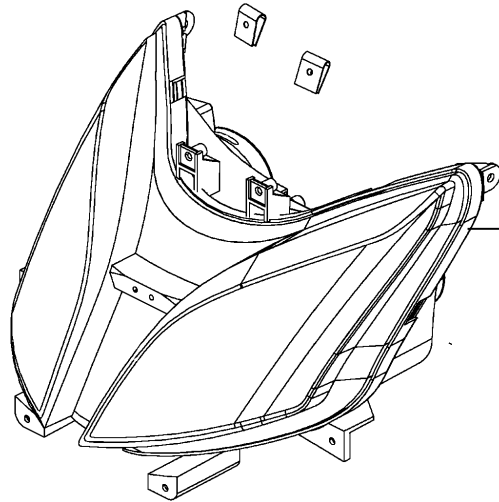
34901



34903



33102

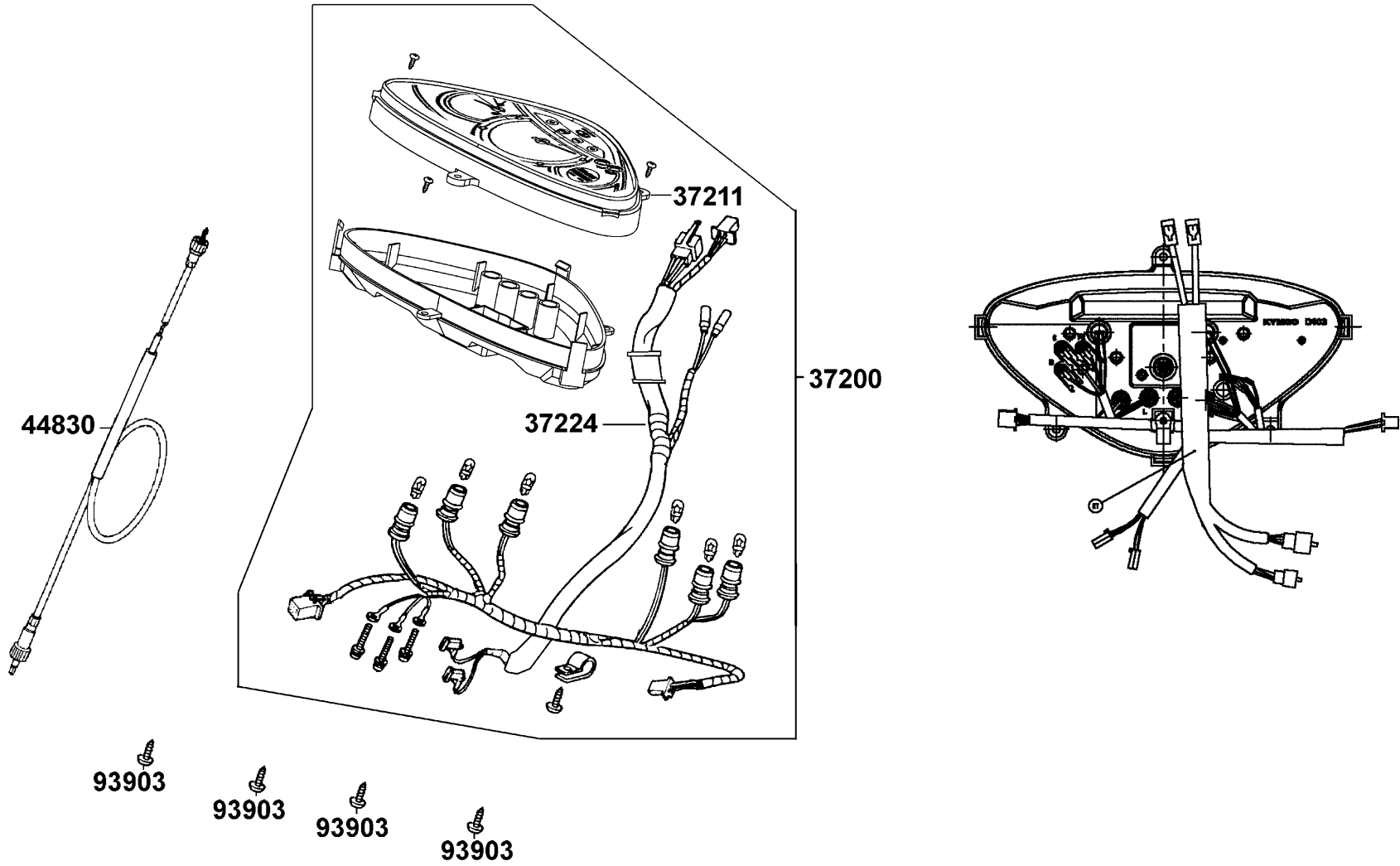


93903-35320

Sales mark	Ref no	Part no	Description	Reg description	Regd no	F01
	33100	33100-LEJ2-E10	LIGHT ASSY HEAD	LIGHT ASSY HEAD	1	
	33102	33102-LEJ2-E10	LENS HEAD LIGHT	"LENS,HEAD LIGHT"	1	
	34901	34901-KFA6-900	BULB HEAD LIGHT	BULB HEAD LIGHT	2	
	34903	34903-KPCP-900	BULB POSITION	BULB POSITION LIGHT	2	
	93903-34220	93903-34220	SCREW TAPPING 4*10	SCREW TAPPING 4*10	4	
	93903-35320	93903-35320	SCREW TAPPING 5*16	SCREW TAPPING 5*16	2	

F02

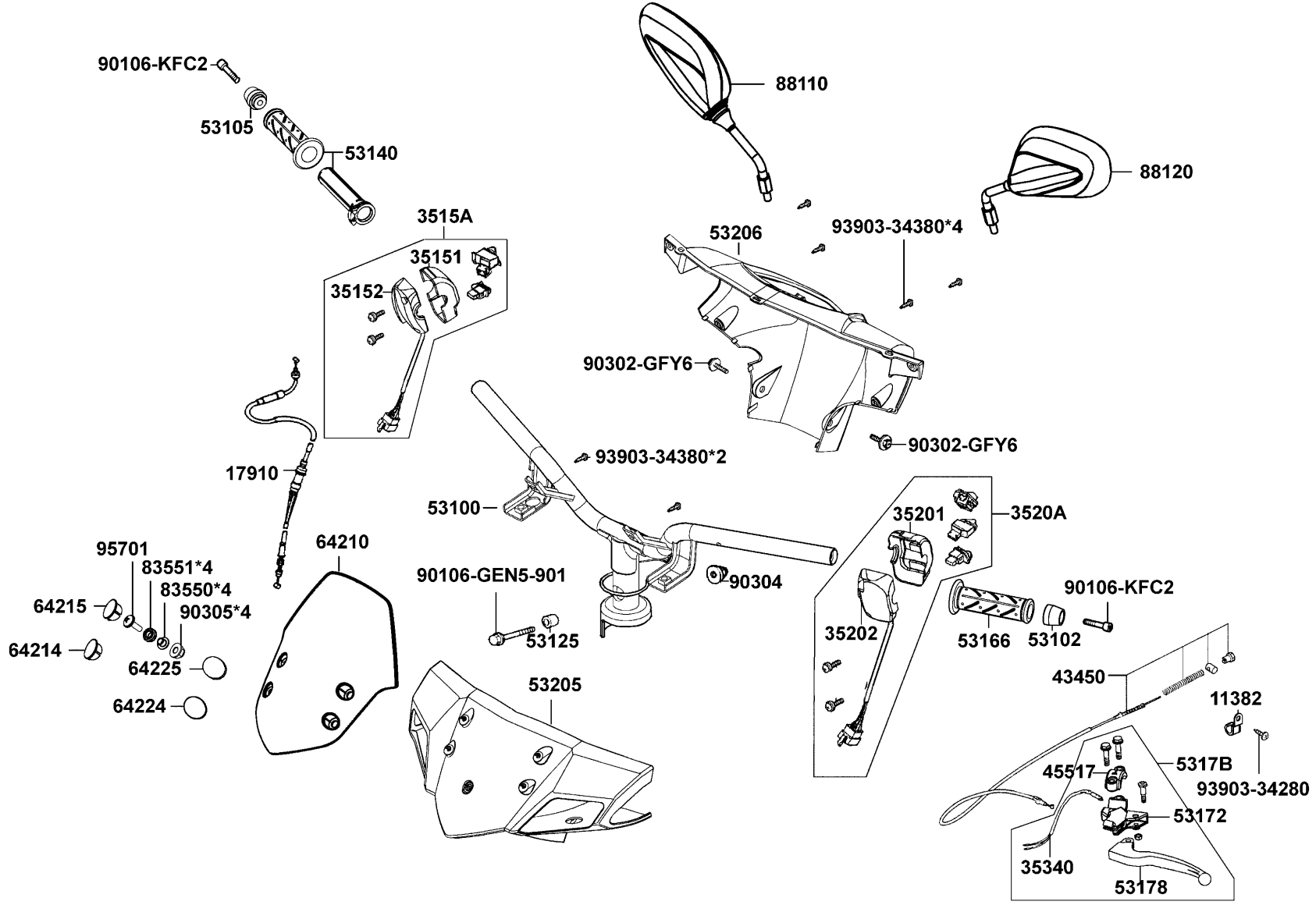
Speedometer



Sales mark	Ref no	Part no	Description	Reg description	Regd no	F02
	37200	37200-LEJ2-E10	METER ASSY SPEED	METER ASSY SPEED	1	
	37211	37211-LEJ2-E0B	LENS COMP METER	BULB WEDGE BASE T10	1	
	37224	37224-LEJ2-E10	"SOCKET COMOP,METER"	"SOCKET COMOP,METER"	1	
	44830	44830-LCD3-E00	CABLE COMP SPDMT	CABLE COMP SPDMT	1	
	93903	93903-35320	SCREW TAPPING 5*16	SCREW TAPPING 5*16	4	

F03

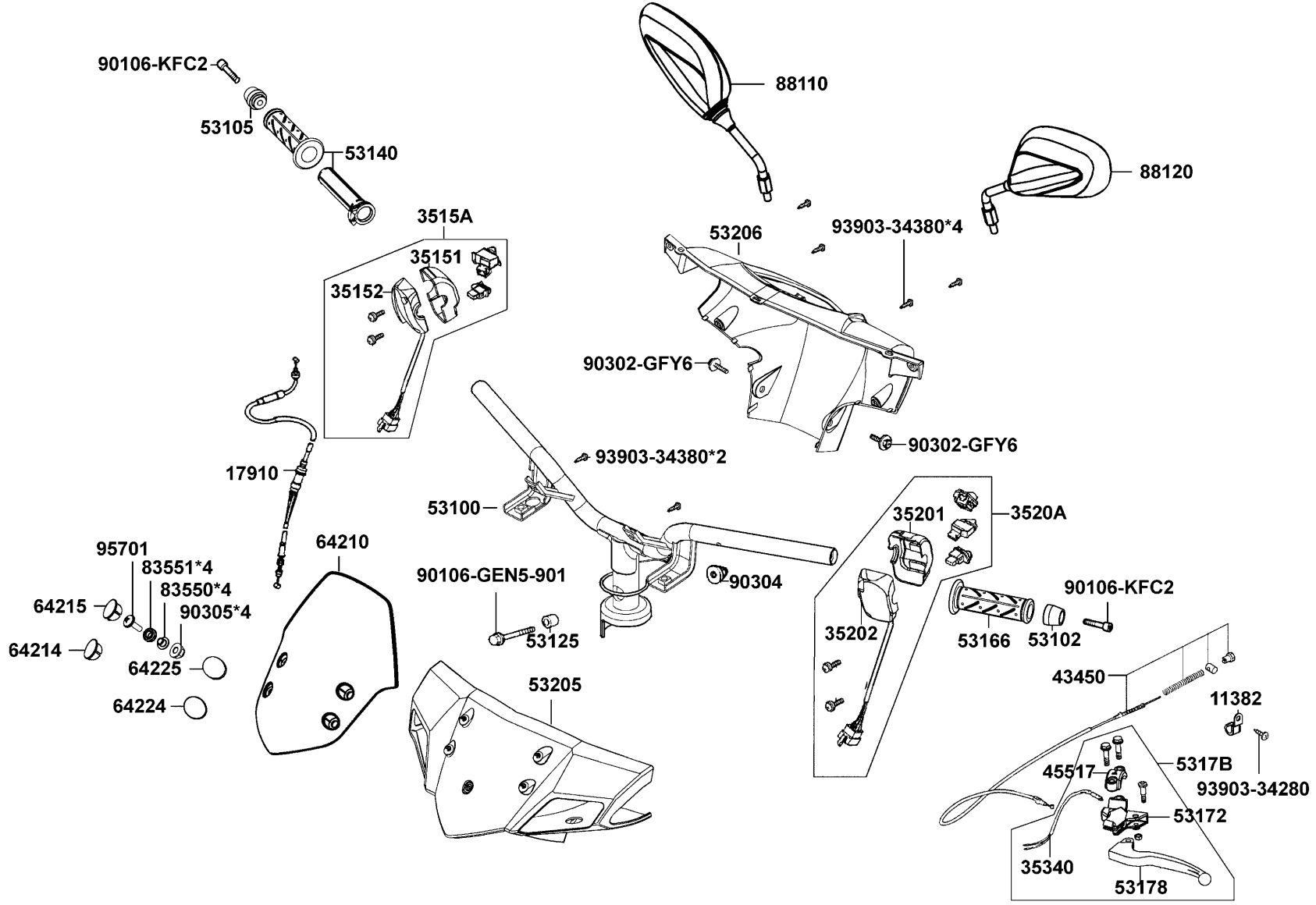
Handle Steering Handle Cover



Sales mark	Ref no	Part no	Description	Reg description	Regd no	F03
11382		11382-KHB4-900	CLAMP BRAKE CABLE	CLAMP BRAKE CABLE	1	
17910		17910-LCD2-E00	CABLE COMP THROT	CABLE COMP THROT	1	
35151		35151-KGBG-910	FR CASE RH HNDL COMP SW	FR CASE RH HNDL COMP SW	1	
35152		35152-KGBG-900	RR CASE RH HNDL COMP SW	RR CASE RH HNDL COMP SW	1	
3515A		3515A-KGBG-E00	SW ASSY RH HNDL COMP	SW ASSY RH HNDL COMP	1	
35201		35201-LGB5-E10	FR CASE LH HNDL COMP SW	FR CASE LH HNDL COMP SW	1	
35202		35202-KGBG-900	RR CASE LH HNDL COMP SW	RR CASE LH HNDL COMP SW	1	
3520A		3520A-LEJ2-E10	"SW ASS'Y.,LH HANDLE COMP"	"SW ASS'Y.,LH HANDLE COMP"	1	
35340		35340-KKJ9-0100	SW ASSY FR STOP	SW ASSY FR STOP	1	
43450		43450-LEJ2-E10	CABLE COMPRR BRK.	CABLE COMPRR BRK.	1	
45517		45517-GFY6-9000	HOLDER HNDL BRKT	HOLDER HNDL BRKT	1	
53100		53100-LEJ2-E10	HANDLE COMP STRG	HANDLE COMP STRG	1	
53102		53102-KEC8-900	END L STRG HANDLE	END L STRG HANDLE	1	
53105		53105-LBB5-E00	END R STRG HANDLE	END R STRG HANDLE	1	
53125		53125-GEN5-901	COLLAR HANDLE SET	COLLAR HANDLE SET	1	
53140		53140-LEJ2-E10	GRIP COMP THROT	GRIP COMP THROT	1	
53166		53166-LEJ2-E10	GRIP L HANDLE	GRIP L HANDLE	1	
53172		53172-KTCT-900	BRKT HANDLE L	BRKT HANDLE L	1	
53178		53178-LCD1-E00	LEVER STEERING HANDLE	LEVER STEERING HANDLE	1	
5317B		5317B-LCD1-E00	BRACKET ASSY HANDLE LH	BRACKET ASSY HANDLE LH	1	

F03

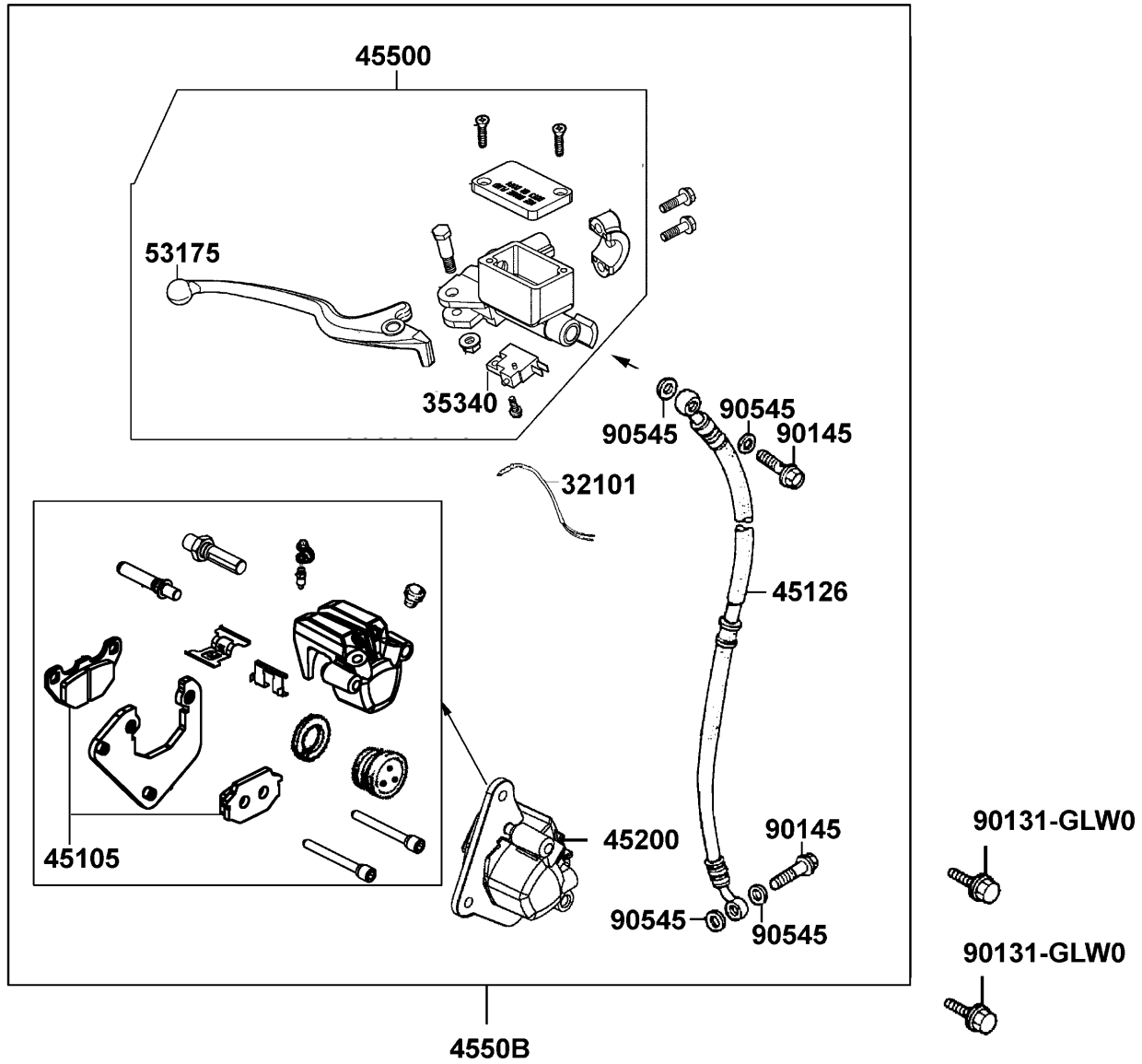
Handle Steering Handle Cover



Sales mark	Ref no	Part no	Description	Reg description	Regd no	F03
**	53205	53205-LEJ2-E10	COVER HANDLE FR	COVER HANDLE FR	1	
	53206	53206-LEJ2-E10	COVER HANDLE RR	COVER HANDLE RR	1	
	64210	64210-LEJ2-E10	ASSY METER VISOR	ASSY METER VISOR	1	
	64214	64214-LEJ2-E10	COVER R UP VISOR	COVER R UP VISOR	1	
	64215	64215-LEJ2-E10	COVER R DOWN VISOR	COVER R DOWN VISOR	1	
	64224	64224-LEJ2-E10	COVER L UP VISOR	COVER L UP VISOR	1	
	64225	64225-LEJ2-E10	COVER L DOWN VISOR	COVER L DOWN VISOR	1	
	83550	83550-KEC8-900	COLLAR	COLLAR	4	
	83551	83551-KEC8-C10	CUSH RR FENDER	CUSH RR FENDER	4	
**	88110	88110-LEB5-C10	MIRROR ASSY R BACK	MIRROR ASSY R BACK	1	
**	88120	88120-LEB5-C10	MIRROR ASSY L BACK	MIRROR ASSY L BACK	1	
	90106-GEN5	90106-GEN5-901	BOLT FLANGE 10*50	BOLT FLANGE 10*50	1	
	90106-KFC2	90106-KFC2-900	BOLT WASH 8MM	BOLT WASH 8MM	2	
	90302	90302-GFY6-901	BOLT WASH 5*12	BOLT WASH 5*12	2	
	90304	90304-GHE8-004	NUT U 10MM	NUT U 10MM	1	
	90305	90305-GHK8-001	NUT CLIP 6MM	NUT CLIP 6MM	4	
	93903-34280	93903-34280	SCREW TAPPING 4*10 (K)	SCREW TAPPING 4*10 (K)	1	
	93903-34380	93903-34380	SCREW TAPPING 4*12	SCREW TAPPING 4*12	6	
	95701	95701-06020-08	SCREW FLANGE 6*20	SCREW FLANGE 6*20	4	

F04

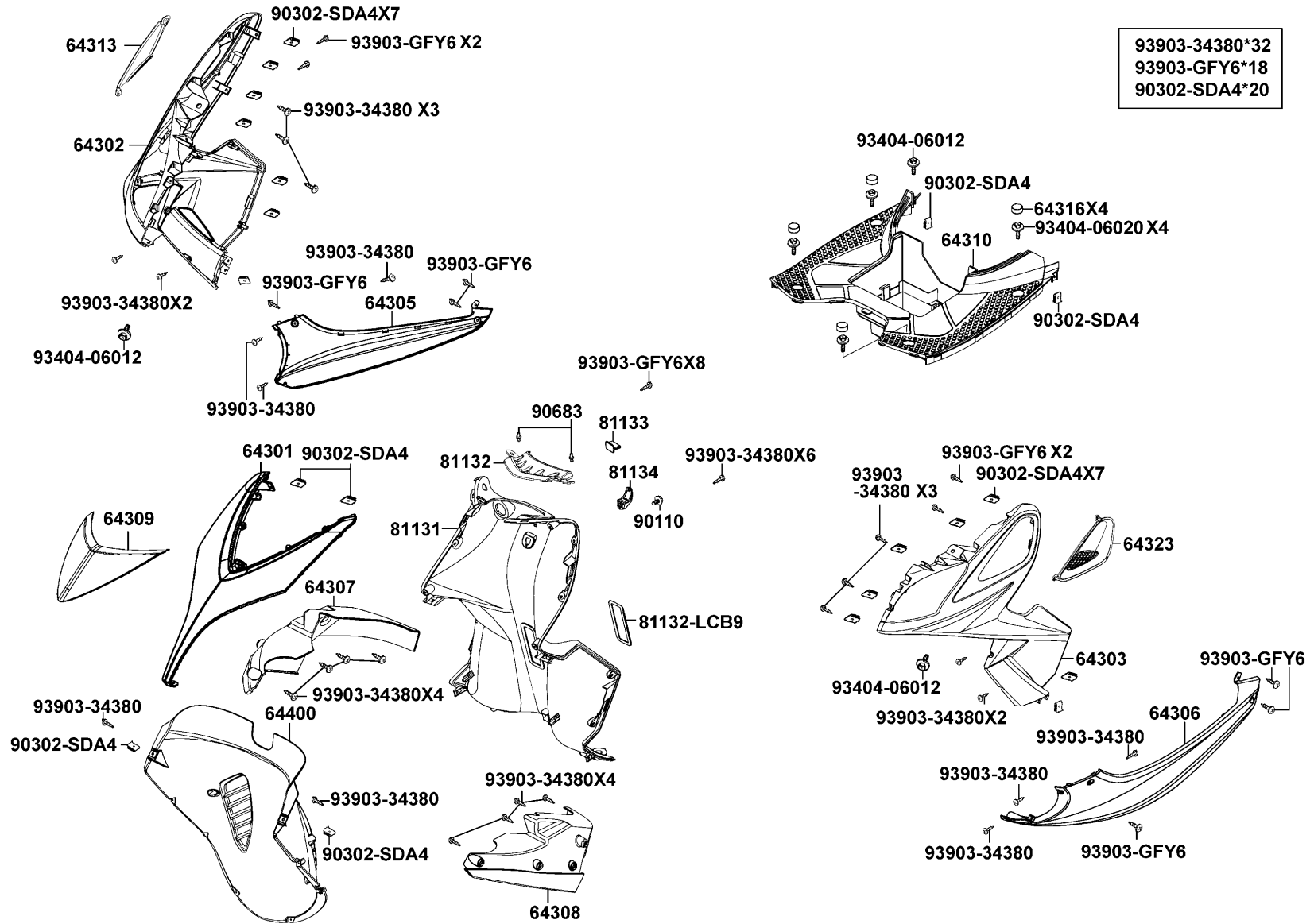
Brake Master Cylinder



Sales mark	Ref no	Part no	Description	Reg description	Regd no	F04
	32101	32101-GFY6-901	SUB CORD R/H	SUB CORD R/H	1	
	35340	35340-KNBN-901	SW ASSY FR STOP	SW ASSY FR STOP	1	
	45105	45105-LEJ2-305	PAD COMP A&B	PAD COMP A&B	1	
	45126	45126-LDC8-E10	HOSE ASSY FR BRAKE	HOSE ASSY FR BRAKE	1	
	45200	45200-LEJ2-E1A	CALIPER ASSY FR LH	CALIPER ASSY FR LH	1	
	45500	45500-LDC8-E10	M/C ASSY FR	M/C ASSY FR	1	
	4550B	4550B-LEJ2-E10	SUB ASSY FR BRK	SUB ASSY FR BRK	1	
	53175	53175-LDC8-E10	LEVER R STRG HNDL	LEVER R STRG HNDL	1	
	90131	90131-GLWO-9110	BOLT FLANGE 8*35	BOLT FLANGE 8*35	2	
	90145	90145-961-011	OIL BOLT 10*22	OIL BOLT 10*22	2	
	90545	90545-3L00-001	WASHER OIL BOLT	WASHER OIL BOLT	4	

F05

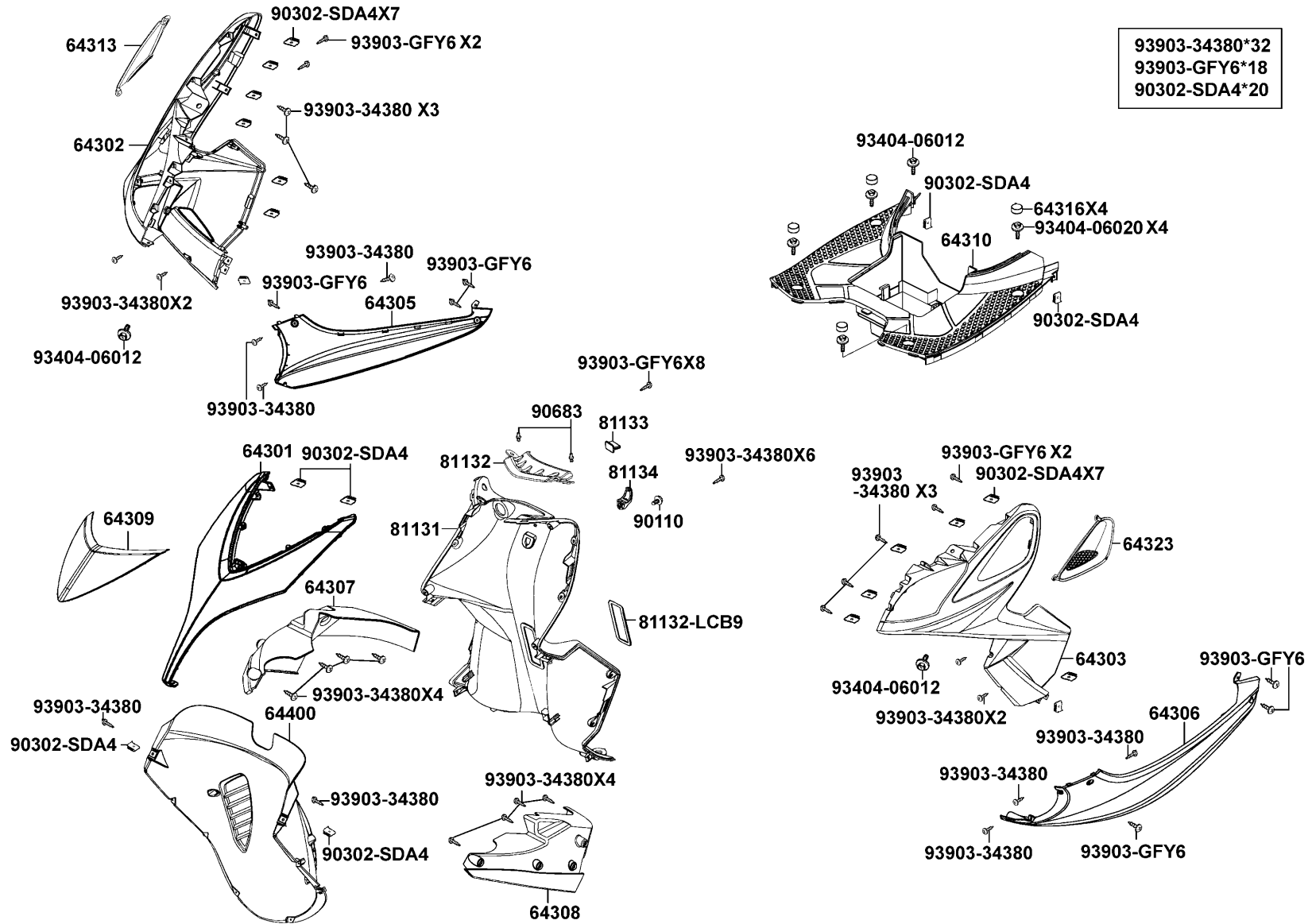
Front Cover Front Fender



Sales mark	Ref no	Part no	Description	Reg description	Regd no	F05
**	64301	64301-LEJ2-E10	COVER FR	COVER FR	1	
**	64302	64302-LEJ2-E10	MOLE R SIDE	MOLE R SIDE	1	
**	64303	64303-LEJ2-E10	COVER FR TOP	COVER FR TOP	1	
**	64305	64305-LEJ2-E10	SKIRT R SIDE	SKIRT R SIDE	1	
**	64306	64306-LEJ2-E10	SKIRT L SIDE	SKIRT L SIDE	1	
	64307	64307-LEJ2-E10	COVER R SIDE MOLD	COVER R SIDE MOLD	1	
	64308	64308-LEJ2-E10	COVER L SIDE MOLD	COVER L SIDE MOLD	1	
**	64309	64309-LEJ2-E10	COVER FR TOP	COVER FR TOP	1	
	64310	64310-LEJ2-E10	FLOOR PANEL	FLOOR PANEL	1	
	64313	64313-LEJ2-E10	GRILL R SIDE MOLD	GRILL R SIDE MOLD	1	
	64316	64316-LCB9-C10	PLUG FLOOR	PLUG FLOOR	4	
	64323	64323-LEJ2-E10	GRILL L SIDE MOLD	GRILL L SIDE MOLD	1	
	64400	64400-LEJ2-E10	COWL UNDER	COWL UNDER	1	
	81131	81131-LEJ2-E10	LEG SHIELD UP	LEG SHIELD UP	1	
	81132-LCB9	81132-LCB9-C10	Xc	Xc	1	
	81132-LEJ2	81132-LEJ2-E10	LID INNER BOX	LID INNER BOX	1	
**	81133	81133-KGBG-9000	STOPPER LUGGAGE	STOPPER LUGGAGE	1	
**	81134	81134-KGBG-9000	HOOK LUGGAGE	HOOK LUGGAGE	1	
	90110	90110-GLW0-001	SCREW SPECIAL 6*14	SCREW SPECIAL 6*14	1	
	90302-SDA4	90302-SDA4-004	NUT SPRING 4MM	NUT SPRING 4MM	20	

F05

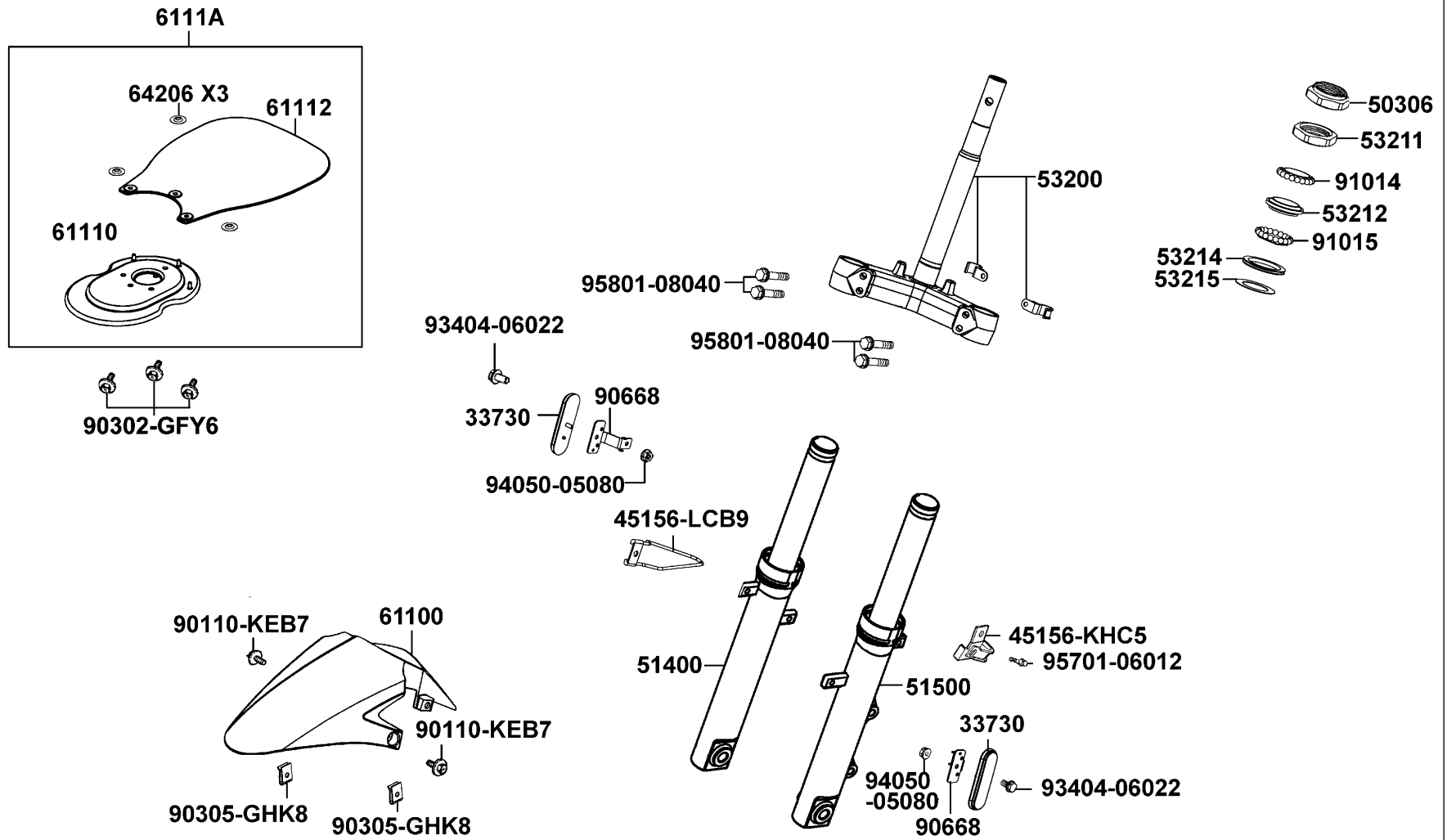
Front Cover Front Fender



Sales mark	Ref no	Part no	Description	Reg description	Regd no	F05
	90683	90683-GAR1-0040	"CLIP , BODY COVER"	"CLIP , BODY COVER"	2	
	93404-06012	93404-06012-07	BOLT WASH 6*12	BOLT WASH 6*12	3	
	93404-06020	93404-06020-07	BOLT WASHER 6*20 (K)	BOLT WASHER 6*20 (K)	4	
	93903-34380	93903-34380	SCREW TAPPING 4*12	SCREW TAPPING 4*12	33	
	93903-GFY6	93903-GFY6-900	SCREW TAPPING 4*14	SCREW TAPPING 4*14	20	

F06

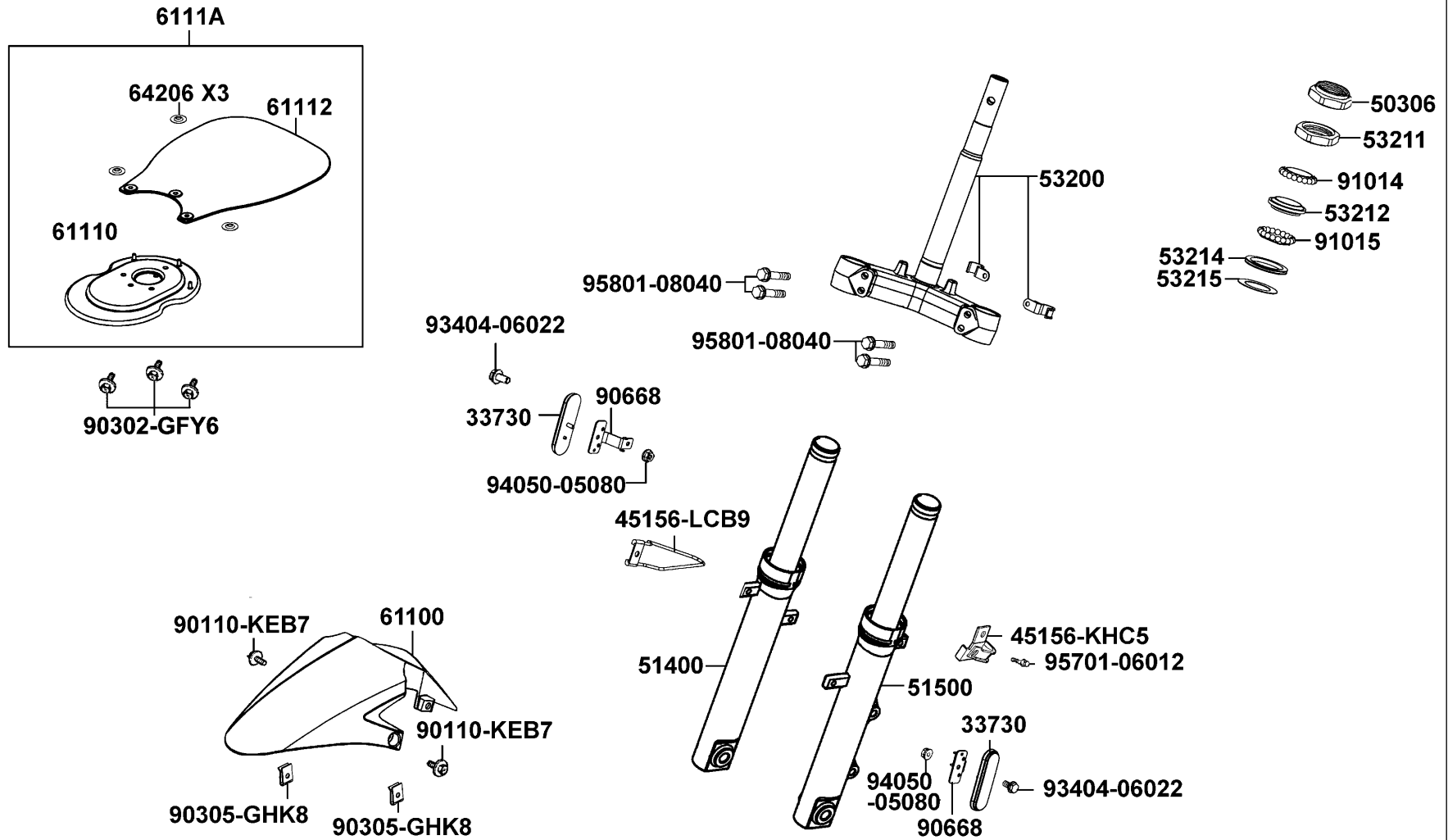
Stem Steering Front Cushion



Sales mark	Ref no	Part no	Description	Reg description	Regd no	F06
	33730	33730-LDC8-M30	"REFLEX REFLECTOR, R SIDE"	"REFLEX REFLECTOR, R SIDE"	2	
	45156-KHC5	45156-KHC5-E10	CLAMPER FR BRAKE HOSE	CLAMPER FR BRAKE HOSE	1	
	45156-LCB9	45156-LCB9-B20	CLAMPER FR SPDMT CABLE	CLAMPER FR SPDMT CABLE	1	
	50306	50306-1F96-0010	NUT STRG STEM LOCK	NUT STRG STEM LOCK	1	
**	51400	51400-LEJ2-E10	FORK ASSY RH FR	FORK ASSY RH FR	1	
**	51500	51500-LEJ2-E10	FORK ASSY LH FR	FORK ASSY LH FR	1	
	53200	53200-LEJ2-E10	STEM COMP STRG	STEM COMP STRG	1	
	53211	53211-GFY6-9400	RACE STRG TOP CONE	RACE STRG TOP CONE	1	
	53212	53212-2L50-011	RACE STRG BOT CONE	RACE STRG BOT CONE	1	
	53214	53214-2L50-001	DUST SEAL STRG(HEAD)	DUST SEAL STRG(HEAD)	1	
	53215	53215-2L50-001	WASH STRG HDL DUST-SEAL	WASH STRG HDL DUST-SEAL	1	
**	61100	61100-LEJ2-E10	FENDER FR	FENDER FR	1	
	61110	61110-LDC8-E90	FENDER FR INNER	FENDER FR INNER	1	
	61112	61112-LDC8-E90	"PLATE,FR.INNER SPLASH GUARD"	"PLATE,FR.INNER SPLASH GUARD"	1	
	6111A	6111A-LDC8-E90	FENDERMFR. INNER ASSY	FENDERMFR. INNER ASSY	1	
	64206	64206-MLJ0-001	NUT SPEED 4MM	NUT SPEED 4MM	3	
	90110-KEB7	90110-KEB7-900	SCREW SPECIAL 6*14	SCREW SPECIAL 6*14	2	
	90302-GFY6	90302-GFY6-901	BOLT WASH 5*12	BOLT WASH 5*12	2	
	90305-GHK8	90305-GHK8-001	NUT CLIP 6MM	NUT CLIP 6MM	2	
	90668	90668-LEJ2-E10	STAY SIDE REFLECTOR	STAY SIDE REFLECTOR	2	

F06

Stem Steering Front Cushion



Sales mark	Ref no	Part no	Description	Reg description	Regd no	F06
	91014	91014-LLJ3-E00	CASE STEERING TOPP	CASE STEERING TOPP	1	
	91015	91015-LLJ3-E00	CASE STEERING BOT	CASE STEERING BOT	1	
	93404-06022	93404-06022-07	BOLT WASHER 6*22 (K)	BOLT WASHER 6*22 (K)	2	
	94050-05080	94050-05080	NUT FLANGE 5MM	NUT FLANGE 5MM	2	
	95701	95701-06012-08	BOLT FLANGE 6*12	BOLT FLANGE 6*12	1	
	95801-08040	95801-08040-08	BOLT FLANGE 8*40	BOLT FLANGE 8*40	4	

F07

Front Wheel

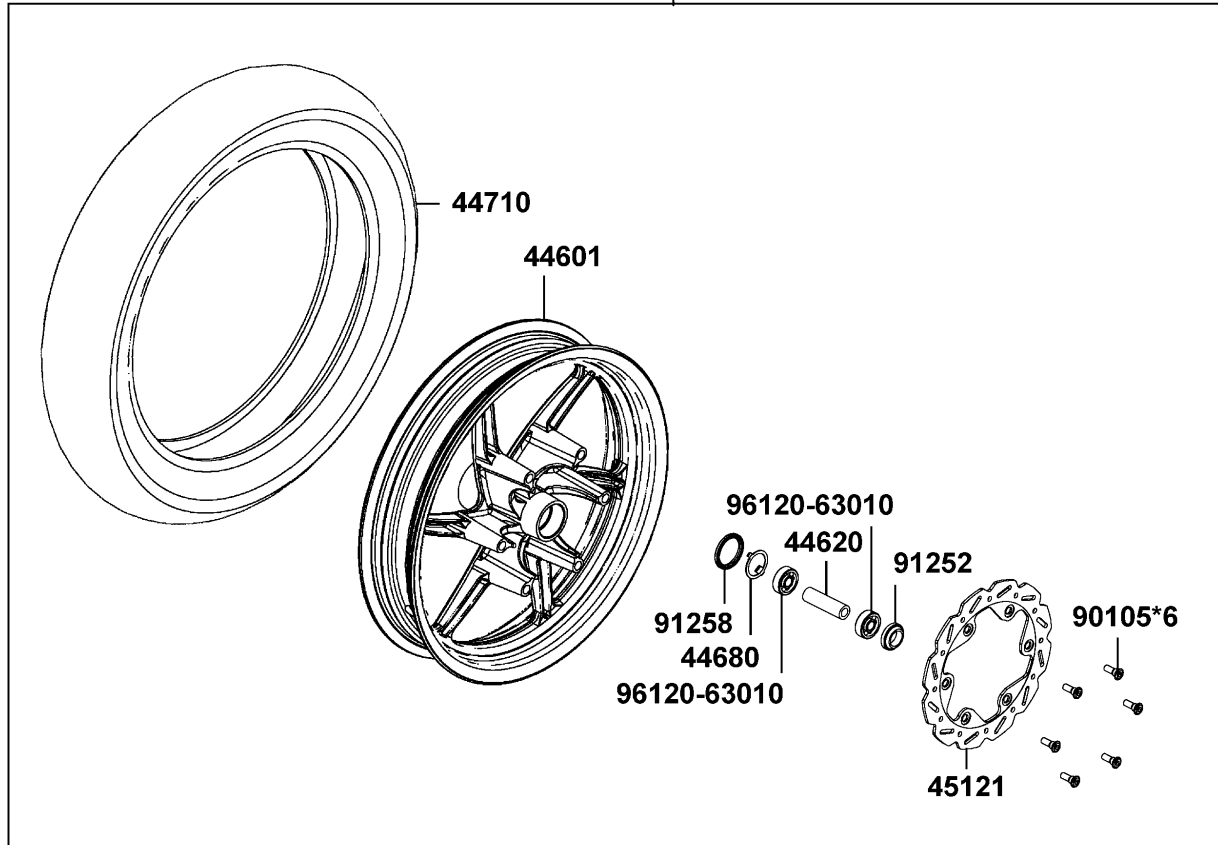
44301



44800



44600



44710

44601

96120-63010

44620

91252

91258

44680

96120-63010

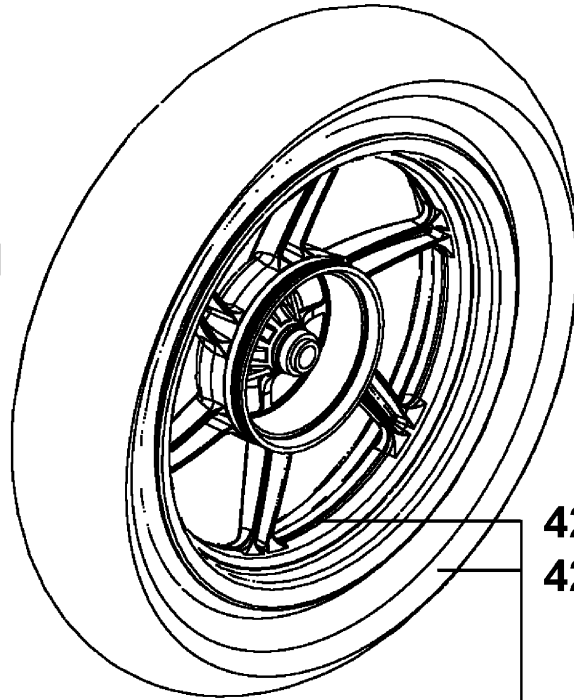
90105*6

45121

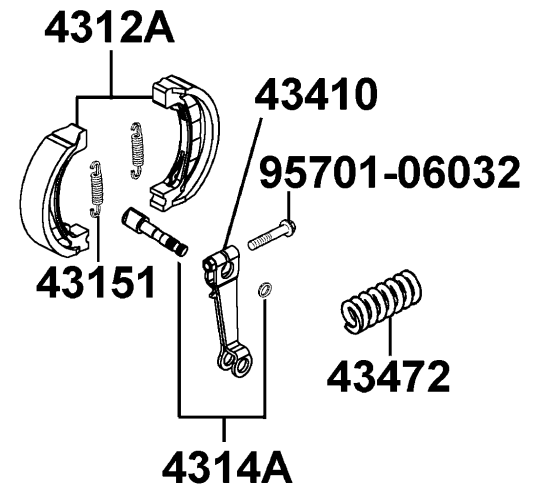
90306
44311

Sales mark	Ref no	Part no	Description	Reg description	Regd no	F07
	44301	44301-LEJ2-E10	AXLE FR WHEEL	AXLE FR WHEEL	1	
	44311	44311-0F46-0010	COLLAR FR WHEEL SIDE	COLLAR FR WHEEL SIDE	1	
**	44600	44600-LEJ3-E10	WHEEL ASSY FR	WHEEL ASSY FR	1	
**	44601	44601-LEJ3-E10	WHEEL CAST FR	WHEEL CAST FR	1	
	44620	44620-KFLF-9300	COLLAR FR DIST	COLLAR FR DIST	1	
	44680	44680-4L10-0010	RETAINER GEAR BOX	RETAINER GEAR BOX	1	
	44710	44710-LEJ3-E10	TIRE ASSY FR	TIRE ASSY FR	1	
	44800	44800-KFA6-900	GEAR BOX ASSY SPDMT	GEAR BOX ASSY SPDMT	1	
	45121	45121-LEJ2-E10	DISK FR BRK	DISK FR BRK	1	
	90105	90105-KCR3-001	BOLT FR DISK 8*24	BOLT FR DISK 8*24	5	
	90306	90306-KLF0-004	NUT FLANGE 12MM	NUT FLANGE 12MM	1	
	91252	91252-0L30-0000-M2	OIL SEAL WHEEL 23*37*7	OIL SEAL WHEEL 23*37*7	1	
	91258	91258-4L10-0000-M2	DUST SEAL 40*50*5	DUST SEAL 40*50*5	1	
	96120	96120-63010-10	BEARING BALL RADIAL 6301	BEARING BALL RADIAL 6301	2	

90305-KNBN
90501-KNBN



42601
42710
42600

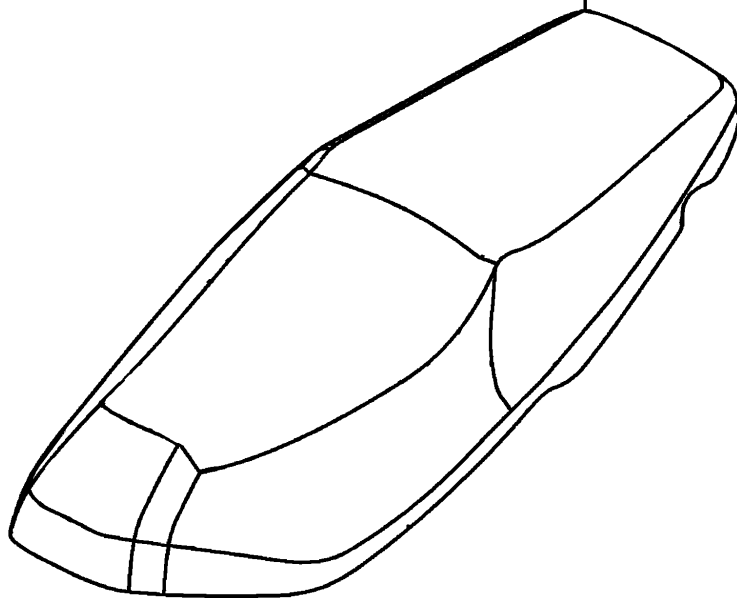


Sales mark	Ref no	Part no	Description	Reg description	Regd no	F08
**	42600	42600-LEJ3-E10	WHEEL ASSY RR	WHEEL ASSY RR	1	
**	42601	42601-LEJ2-E10	WHEEL CAST RR	WHEEL CAST RR	1	
	42710	42710-LEJ3-E10	TIRE ASSY REAR	TIRE ASSY REAR	1	
	4312A	4312A-KUDU-900	SHOE ASSY RR BRAKE	SHOE ASSY RR BRAKE	1	
	4314A	4314A-LCD3-E00	CAM ASSY RR BRAKE	CAM ASSY RR BRAKE	1	
	43151	43151-KGM7-9600	SPRING BRAKE SHOE REAR	SPRING BRAKE SHOE REAR	2	
	43410	43410-KFA6-900	ARM RR BRAKE	ARM RR BRAKE	1	
	43472	43472-KHG8-001	SPG RR BRK ARM	SPG RR BRK ARM	1	
	90305	90305-KNBN-9030-M2	NUT U 16MM(C)	NUT U 16MM(C)	1	
	90501	90501-KNBN-901	WASHER 16MM	WASHER 16MM	1	
	95701	95701-06032-08	BOLT FLANGE 6*32	BOLT FLANGE 6*32	1	

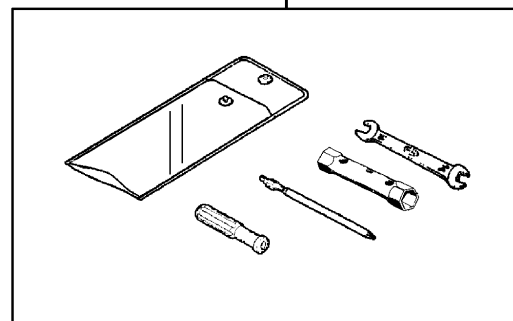
F09


Seat


77200

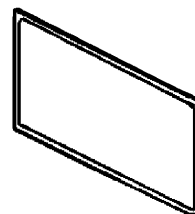


89010



94050-06080 

94050-06080 

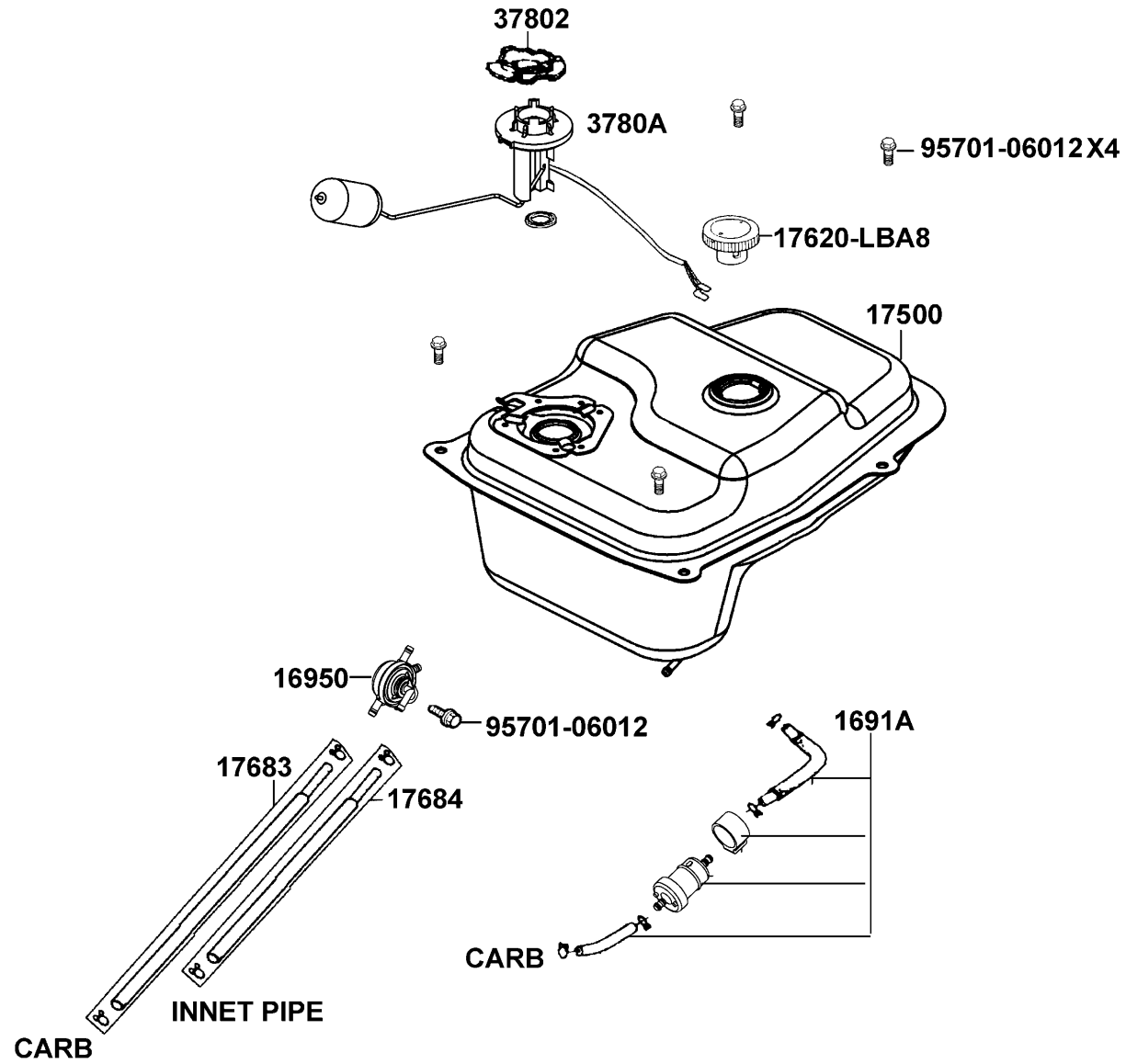


89020

Sales mark	Ref no	Part no	Description	Reg description	Regd no	F09
	77200	77200-LEJ2-E10	SEAT ASSY	SEAT ASSY	1	
	89010	89010-KGBG-9000	TOOL SET	TOOL SET	1	
	89020	89020-KKC4-900	BAND TOOL SET	BAND TOOL SET	1	
	94050	94050-06080	NUT FLANGE 6MM	NUT FLANGE 6MM	2	

F10

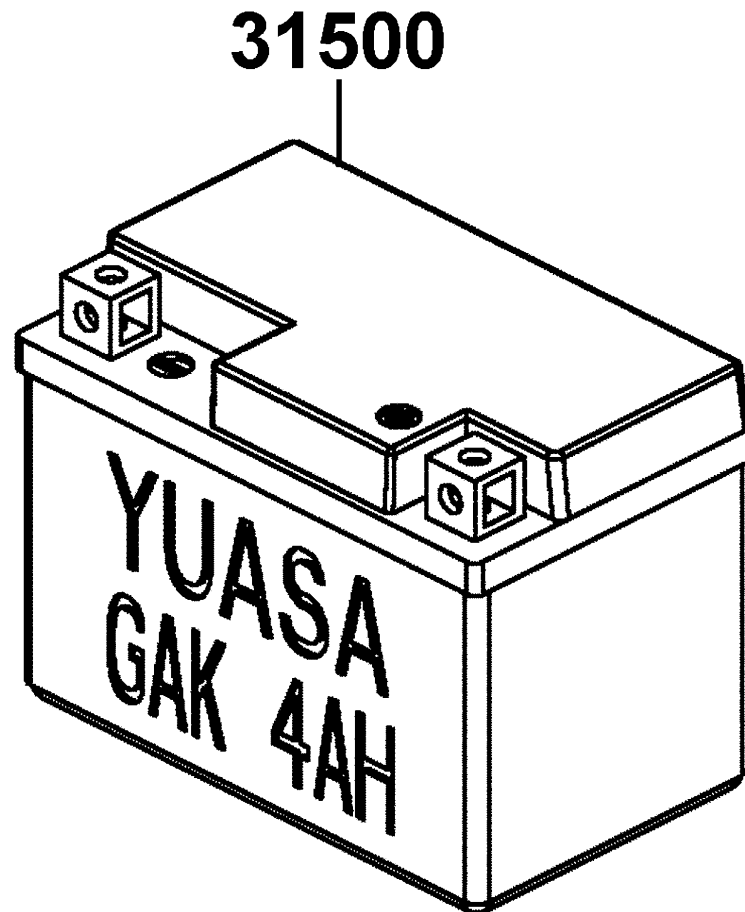
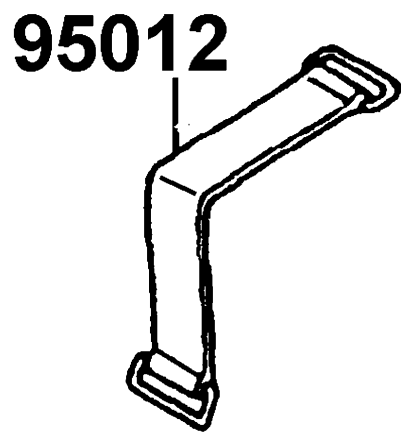
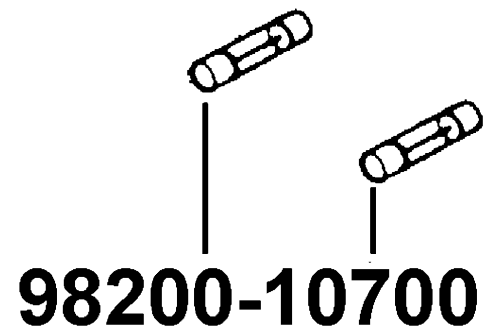
Fuel Tank



Sales mark	Ref no	Part no	Description	Reg description	Regd no	F10
	1691A	1691A-LEJ2-E10	STRAINER ASSY FUEL	STRAINER ASSY FUEL	1	
	16950	16950-LCA3-B50	AUTO COCK ASSY FUEL	AUTO COCK ASSY FUEL	1	
	17500	17500-LEJ2-E10	TANK COMP. FUEL	TANK COMP. FUEL	1	
	17620	17620-LBA8-C000	CAP FUEL FILLER	CAP FUEL FILLER	1	
	17683	17683-LEJ2-E10	TUBE ASSY FUEL	TUBE ASSY FUEL	1	
	17684	17684-LEJ2-E10	TUBE ASSY COCK-INLET PIPE	TUBE ASSY COCK-INLET PIPE	1	
	37802	37802-GGA7-7010	RET FUEL UNIT	RET FUEL UNIT	1	
	3780A	3780A-LEJ2-E10	FUEL UNIT ASSY	FUEL UNIT ASSY	1	
	95701	95701-06012-08	BOLT FLANGE 6*12	BOLT FLANGE 6*12	5	

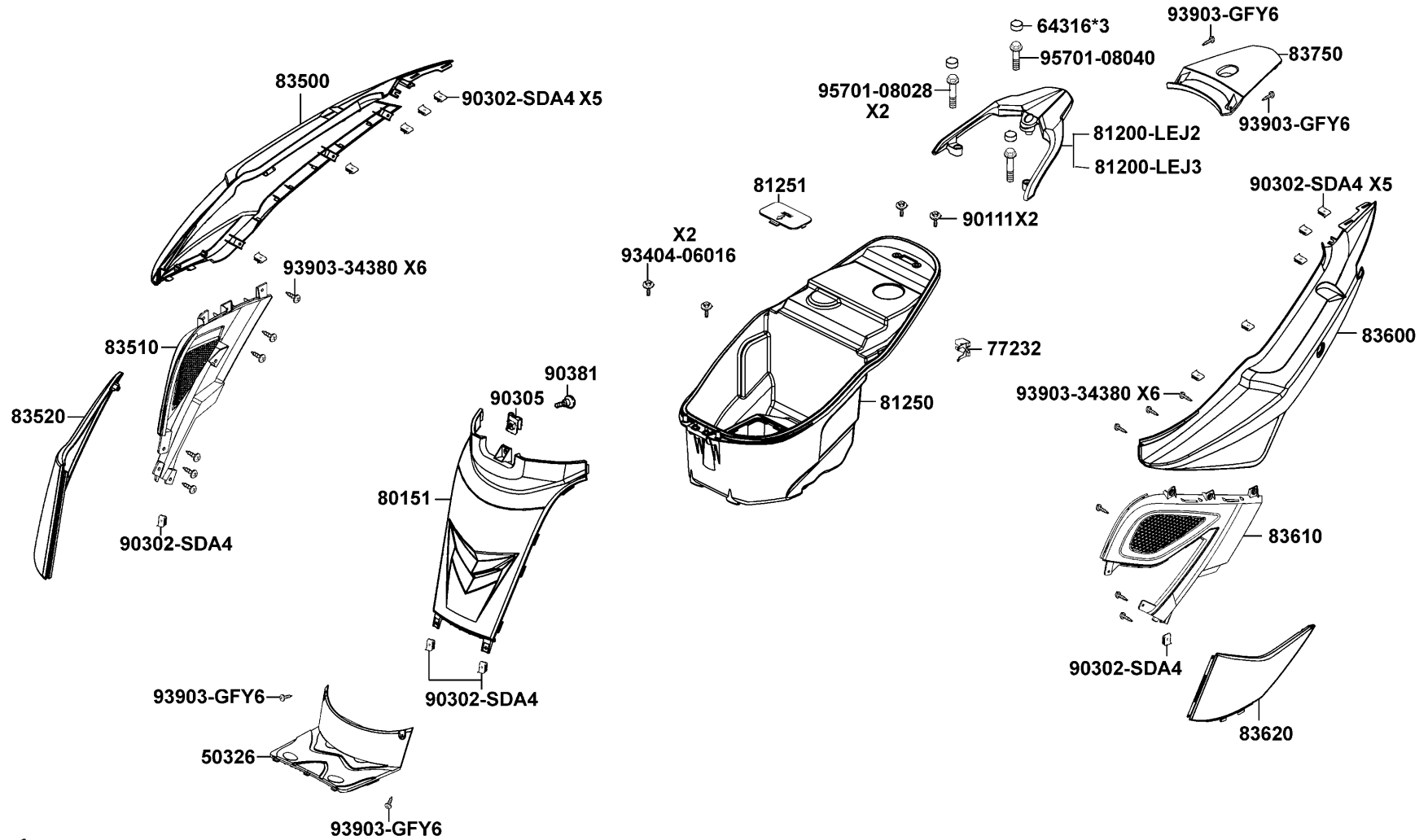
F11

Battery



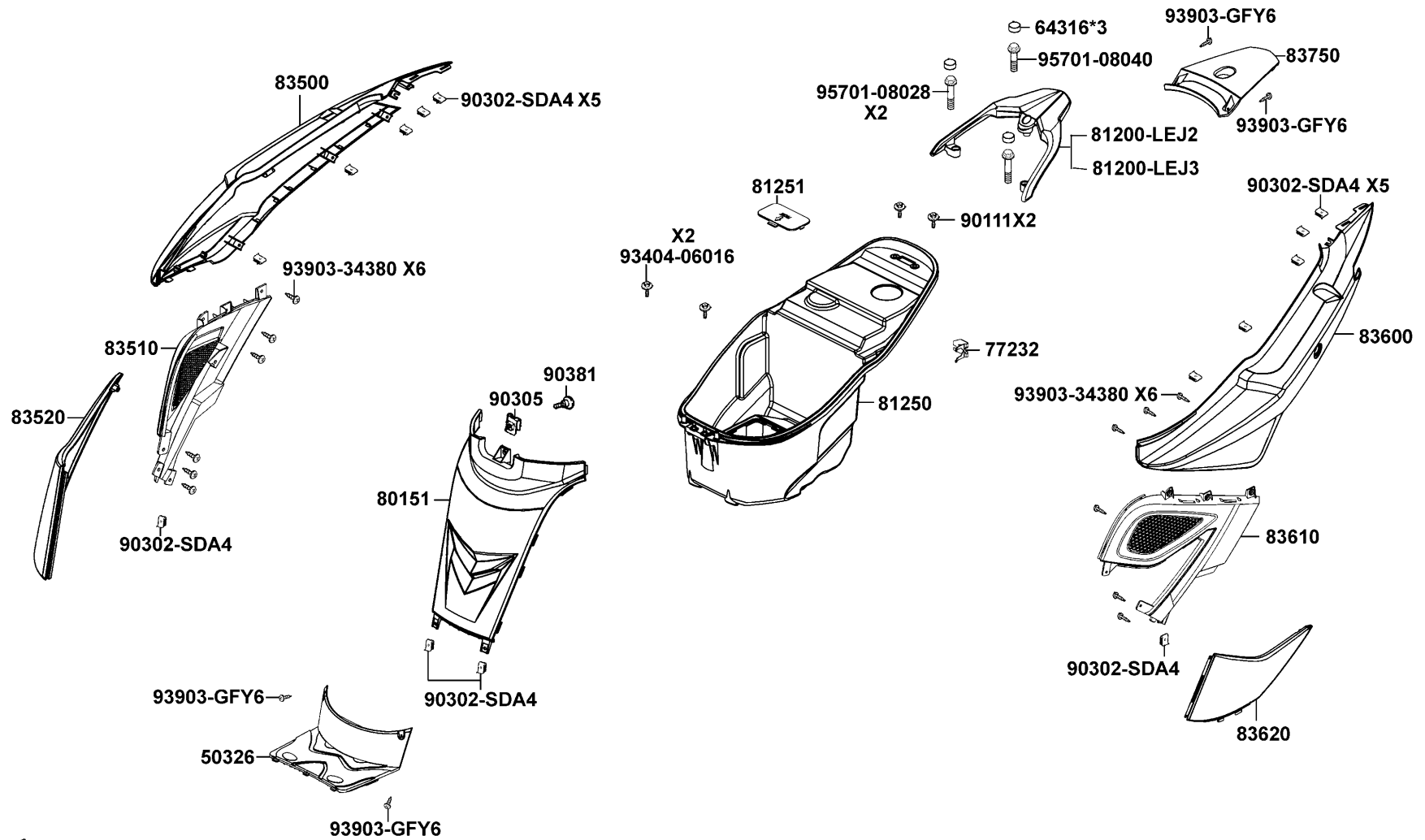
Sales mark	Ref no	Part no	Description	Reg description	Regd no	F11
	31500	31500-GFY6-9410	GTX7A-BS	GTX7A-BS	1	
	95012	95012-LEJ2-E10	BAND BATTERY	BAND BATTERY	1	
	98200	98200-10700	FUSE A7	FUSE A7	2	

Body Cover Luggage Box



Sales mark	Ref no	Part no	Description	Reg description	Regd no	F12
	50326	50326-LEJ2-E10	COVER BATTERY	COVER BATTERY	1	
	64316	64316-LCB9-C10	PLUG FLOOR	PLUG FLOOR	3	
	77232	77232-KCAC-9010	SET SPG SEAT LOCK	SET SPG SEAT LOCK	1	
	80151	80151-LEJ2-E10	COVER CENTER	COVER CENTER	1	
**	81200-LEJ2	81200-LEJ2-E10	CARRIER RR	CARRIER RR	1	
**	81200-LEJ3	81200-LEJ3-E10	CARRIER RR	CARRIER RR	1	
	81250	81250-LEJ3-E10	BOX LUGGAGE	BOX LUGGAGE	1	
	81251	81251-LEJ3-E10	COVER CARB MAINT	COVER CARB MAINT	1	
**	83500	83500-LEJ2-E10	COVER R BODY	COVER R BODY	1	
	83510	83510-LEJ2-E10	COVER R SIDE A	COVER R SIDE A	1	
**	83520	83520-LEJ2-E10	COVER R SIDE B	COVER R SIDE B	1	
**	83600	83600-LEJ2-E10	COVER L BODY	COVER L BODY	1	
	83610	83610-LEJ2-E10	COVER L SIDE A	COVER L SIDE A	1	
**	83620	83620-LEJ2-E10	COVER L SIDE B	COVER L SIDE B	1	
**	83750	83750-LEJ2-E10	COVER RR CENTER	COVER RR CENTER	1	
	90111	90111-1G87-00A	BOLT FLANGE 6MM	BOLT FLANGE 6MM	2	
	90302-SDA4	90302-SDA4-004	NUT SPRING 4MM	NUT SPRING 4MM	14	
	90305	90305-GHK8-001	NUT CLIP 6MM	NUT CLIP 6MM	1	
	90381	90381-GEZ5-001	SCREW SPECIAL 6*17	SCREW SPECIAL 6*17	1	
	93404	93404-06016-07	BOLT WASHER 6*16 (K)	BOLT WASHER 6*16 (K)	2	

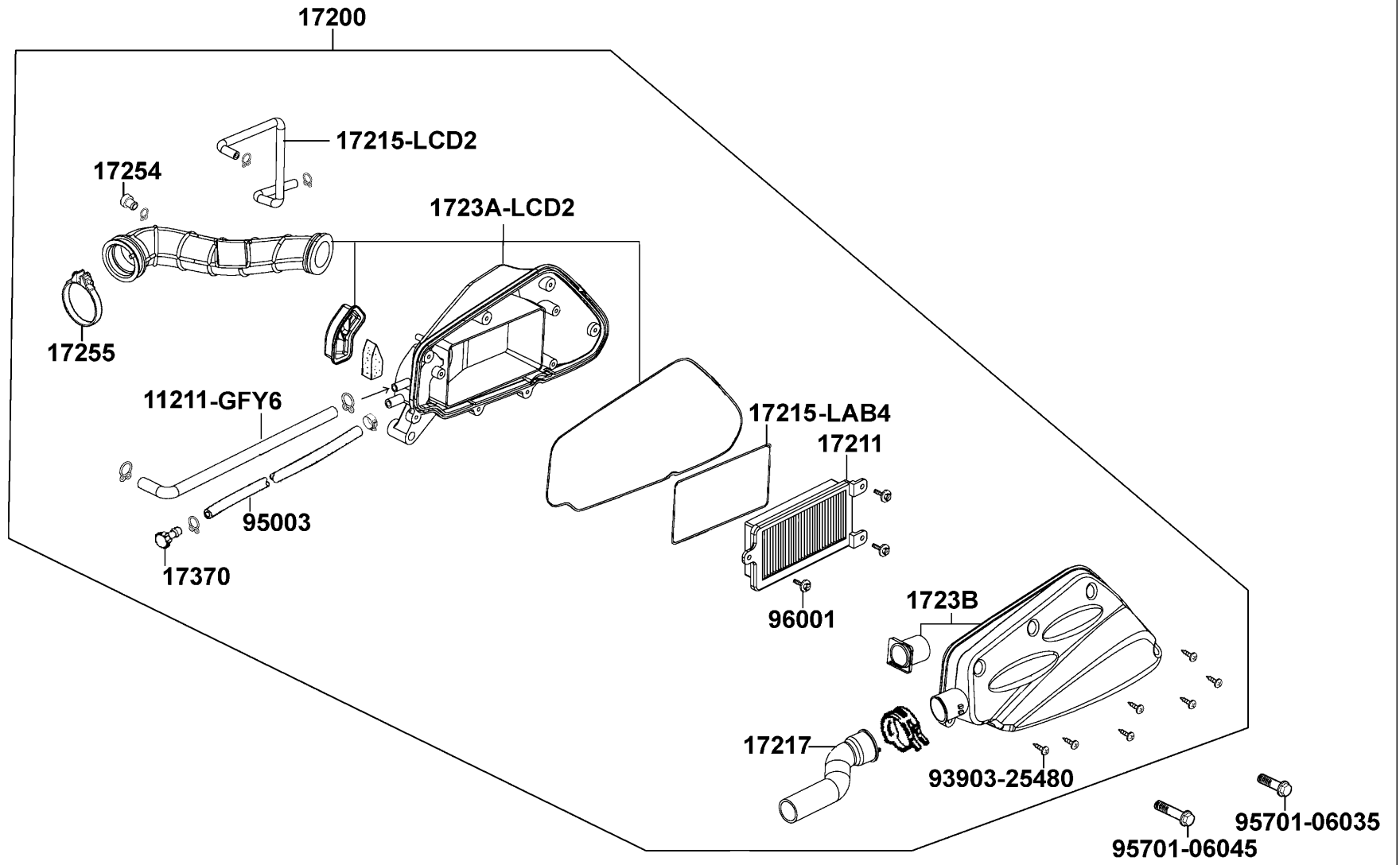
Body Cover Luggage Box



Sales mark	Ref no	Part no	Description	Reg description	Regd no	F12
	93903-34380	93903-34380	SCREW TAPPING 4*12	SCREW TAPPING 4*12	12	
	93903-GFY6	93903-GFY6-900	SCREW TAPPING 4*14	SCREW TAPPING 4*14	4	
	95701-08028	95701-08028-08	BOLT FLANGE 8*28 (C)	BOLT FLANGE 8*28 (C)	2	
	95701-08040	95701-08040-08	BOLT FLANGE 8*40	BOLT FLANGE 8*40	1	

F13

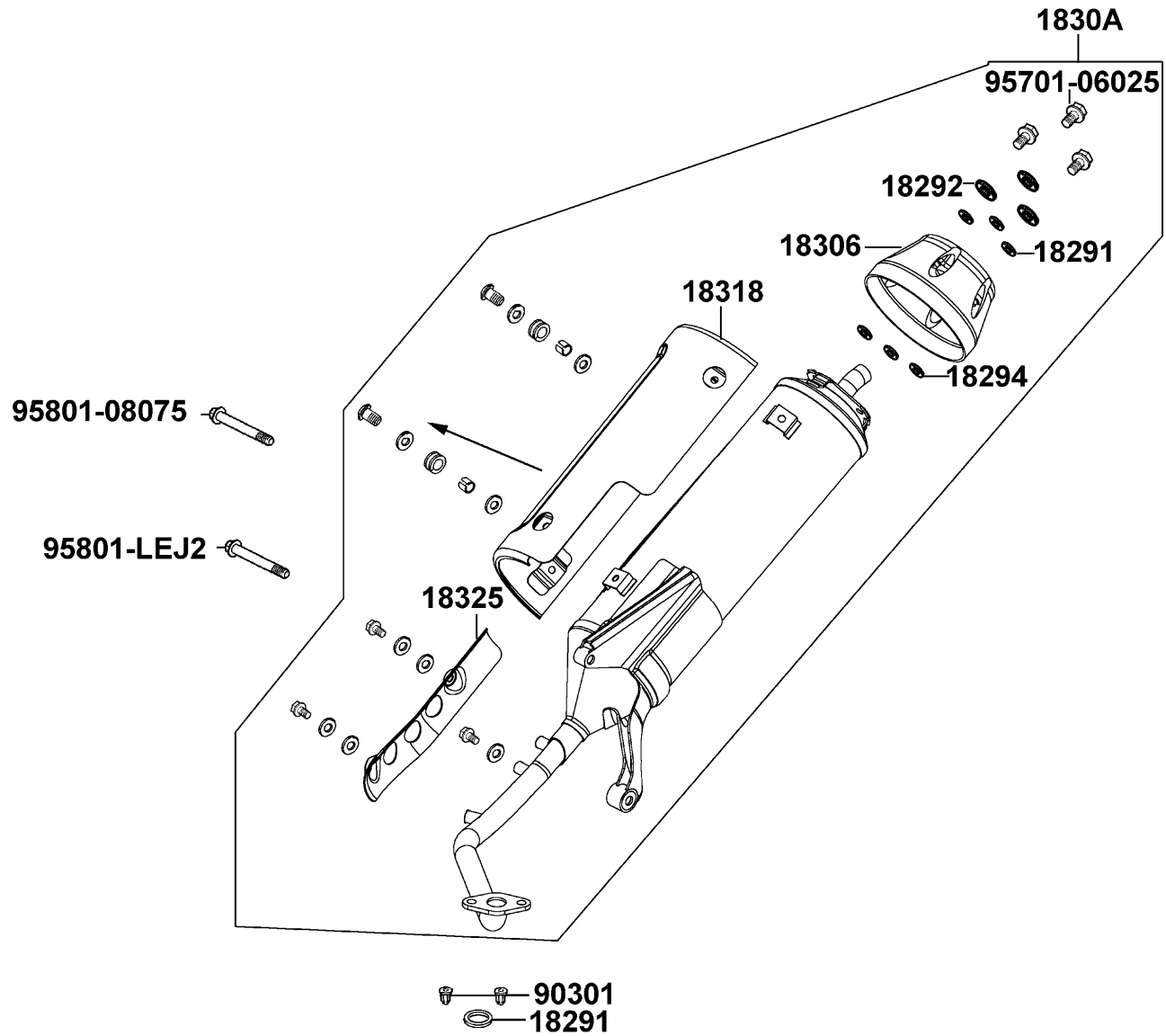
Air Cleaner



Sales mark	Ref no	Part no	Description	Reg description	Regd no	F13
	11211	11211-LCD2-E00	TUBE BREATHER	TUBE BREATHER	1	
	17200	17200-LEJ2-E10	AIR/C ASSY	AIR/C ASSY	1	
	17211	17211-LAB4-900	ELEMENT COMP AIR/C	ELEMENT COMP AIR/C	1	
	17215-LAB4	17215-LAB4-900	SEAL ELEMENT	SEAL ELEMENT	1	
	17215-LCD2	17215-LCD2-E00	TUBE BREATHER MISSION	TUBE BREATHER MISSION	1	
	17217	17217-LCD2-E00	TUBE OUTER AIR/C	TUBE OUTER AIR/C	1	
	1723A	1723A-LCD2-E00	CASE ASSY AIR/C	CASE ASSY AIR/C	1	
	1723B	1723B-LCD2-E00	COVER ASSY AIR/C	COVER ASSY AIR/C	1	
	17254	17254-KACA-P00	JOINT PURGE TUBE	JOINT PURGE TUBE	1	
	17255	17255-KGBG-900	BAND ASSY AIR/C CONN TUBE	BAND ASSY AIR/C CONN TUBE	1	
	17370	17370-4K19-670	PLUG BREATHER TUBE	PLUG BREATHER TUBE	1	
	93903	93903-25480	SCREW TAPPING 5x20 (G)	SCREW TAPPING 5x20 (G)	7	
	95003	95003-23036-60	V TUBE 8*12*360	V TUBE 8*12*360	1	
	95701-06035	95701-06035-08	BOLT FLANGE SH 6*35	BOLT FLANGE SH 6*35	1	
	95701-06045	95701-06045-08	BOLT FLANGE 6*45	BOLT FLANGE 6*45	1	
	96001	96001-GFY6-900	BOLT SPECIAL 5*10	BOLT SPECIAL 5*10	3	

F14

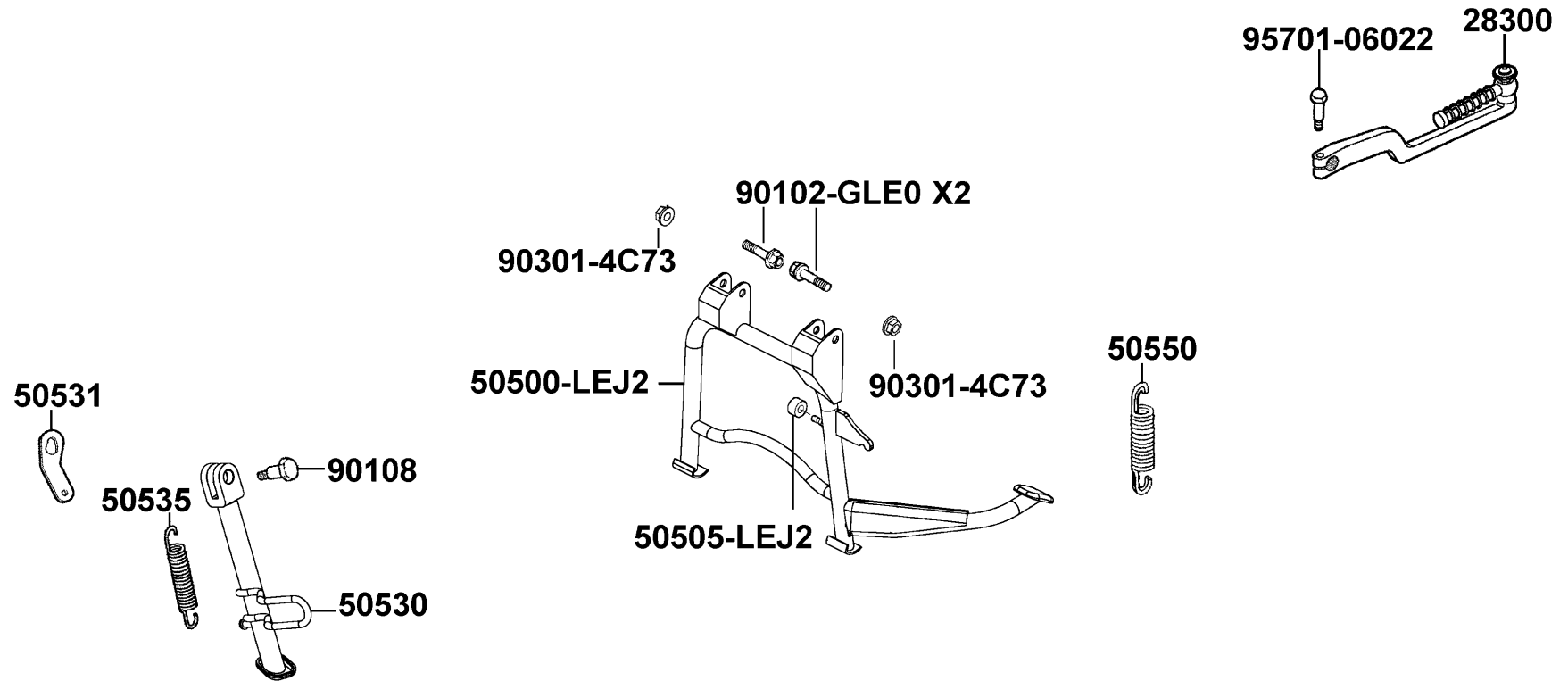
Exhaust Muffler



Sales mark	Ref no	Part no	Description	Reg description	Regd no	F14
	18291-GGA7	18291-GGA7-001	GASKET EXH PIPE	GASKET EXH PIPE	1	
	18291-KEBE	18291-KEBE-900	COLLAR	COLLAR	3	
	18292	18292-KEBE-900	PACKING PROTECTOR	PACKING PROTECTOR	3	
	18294	18294-KEBE-900	PACKING PROTECTOR	PACKING PROTECTOR	14	
	18306	18306-LEJ2-E10	TAIL CAP MUFFLER	TAIL CAP MUFFLER	1	
	1830A	1830A-LEJ2-E10	MUFFLER ASSY EXHAUST	MUFFLER ASSY EXHAUST	1	
	18318	18318-LEJ2-E10	PROTECTOR MUFF	PROTECTOR MUFF	1	
	18325	18325-LCD2-E00	PROTECTOR EXH PIPE	PROTECTOR EXH PIPE	1	
	90301	90301-KGBG-900	NUT CAP 6MM	NUT CAP 6MM	2	
	95701	95701-06025-07	BOLT WASHER 6*25(K)	BOLT WASHER 6*25(K)	3	
	95801-08075	95801-08075-07	BOLT FLANGE 8*75 (K)	BOLT FLANGE 8*75 (K)	1	
	95801-LEJ2	95801-LEJ2-E10	BOLT TORX M8*75	BOLT TORX M8*75	1	

F15

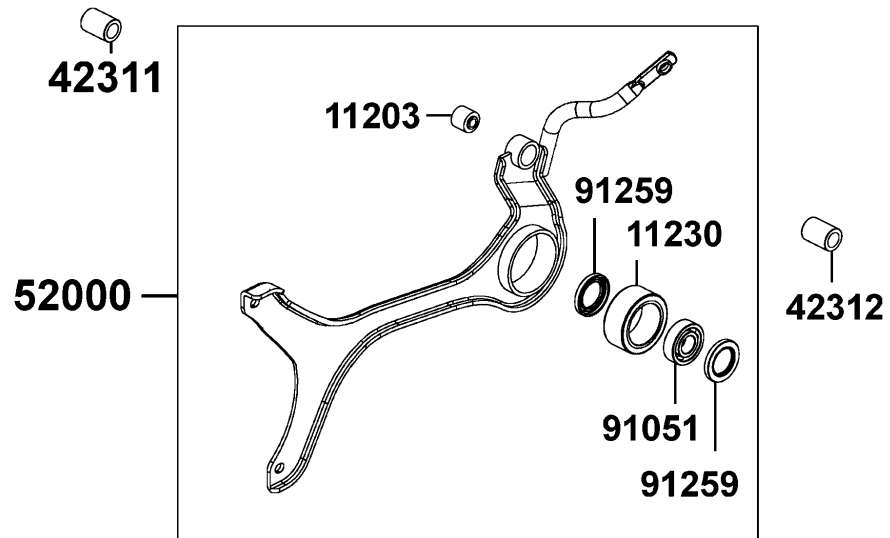
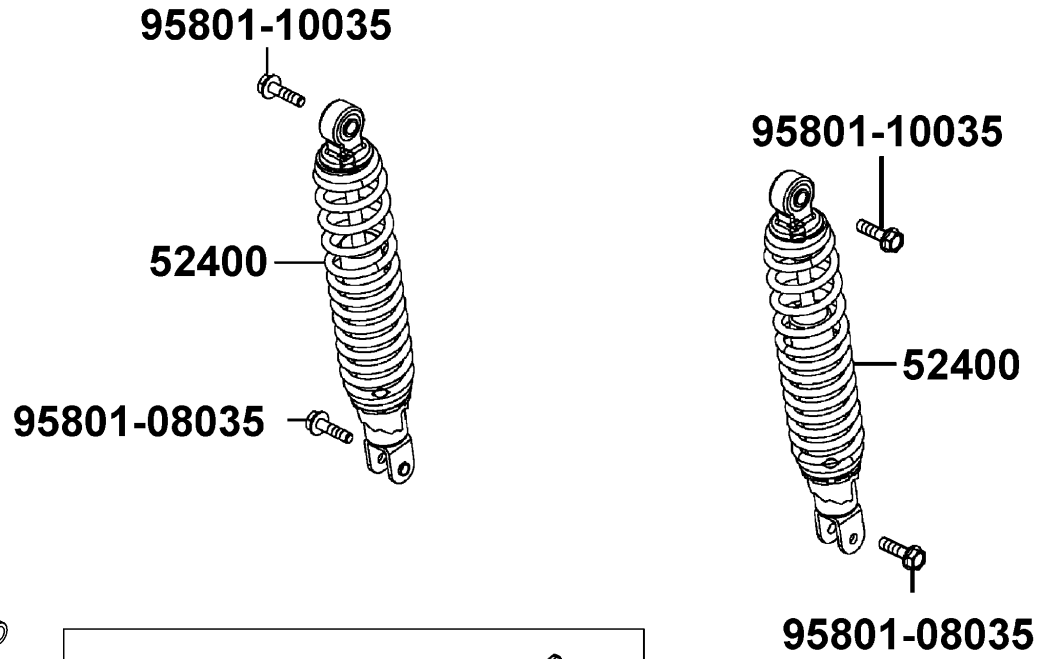
Stand Kick Starter Arm



Sales mark	Ref no	Part no	Description	Reg description	Regd no	F15
	28300	28300-KNBN-901	ARM ASSY KICK STARTER	ARM ASSY KICK STARTER	1	
	50500	50500-LEJ2-E10	STAND COMP MAIN	STAND COMP MAIN	1	
	50505	50505-LEJ2-E10	STOPPER RUBBER	STOPPER RUBBER	1	
	50530	50530-LEJ2-E10	BAR SIDE STAND	BAR SIDE STAND	1	
	50531	50531-KEB7-E00	PLATE SPRING STOPPER	PLATE SPRING STOPPER	1	
	50535	50535-KEB7-W10	SPRING COMP SIDE STAND	SPRING COMP SIDE STAND	1	
	50550	50550-KFA6-E00	SPG ASSY MAIN STAND	SPG ASSY MAIN STAND	1	
	90102	90102-GLE0-001	BOLT HINGE PIVOT	BOLT HINGE PIVOT	2	
	90108	90108-KFA6-E00	SCREW SIDE STAND	SCREW SIDE STAND	1	
	90301	90301-4C73-0040	NUT U 6MM(K)	NUT U 6MM(K)	2	
	95701	95701-06022-07	BOLT FLANGE 6*22 (K)	BOLT FLANGE 6*22 (K)	1	

F16

Rear Cushion

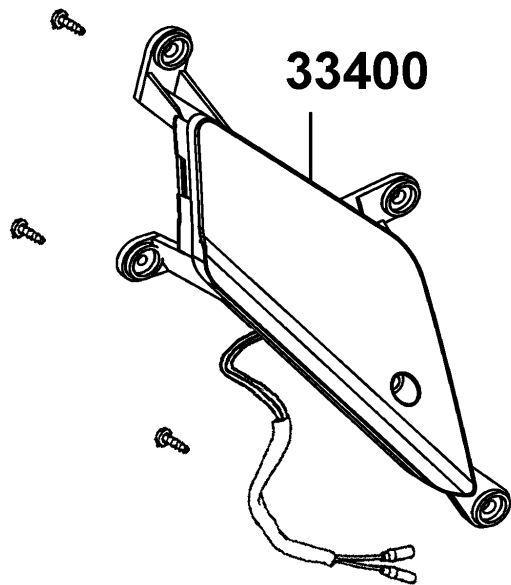


Sales mark	Ref no	Part no	Description	Reg description	Regd no	F16
	11203	11203-GGC7-W10	UNDER RUBBER BUSH REAR CUSHION	UNDER RUBBER BUSH REAR CUSHION	1	
	11230	11230-KFBF-900	RUBBER BUSH RR FORK	RUBBER BUSH RR FORK	1	
	42311	42311-LEJ2-E10	COLLAR RR AXLE A	COLLAR RR AXLE A	1	
	42312	42312-KHB4-900	COLLAR RR AXLE SIDE	COLLAR RR AXLE SIDE	1	
	52000	52000-LEJ2-E10	FORK ASSY R	FORK ASSY R	1	
	52400	52400-LEJ2-E10	CUSHION ASSY RR	CUSHION ASSY RR	2	
	91051	91051-KBF-9000	BRG BALL RADIAL 6203 LLU	BRG BALL RADIAL 6203 LLU	1	
	91259	91259-KFBF-9000	SEAL OIL	SEAL OIL	2	
	95801-08035	95801-08035-08	BOLT FLANGE 8*35	BOLT FLANGE 8*35	2	
	95801-10035	95801-10035-08	BOLT FLANGE 10*35	BOLT FLANGE 10*35	2	

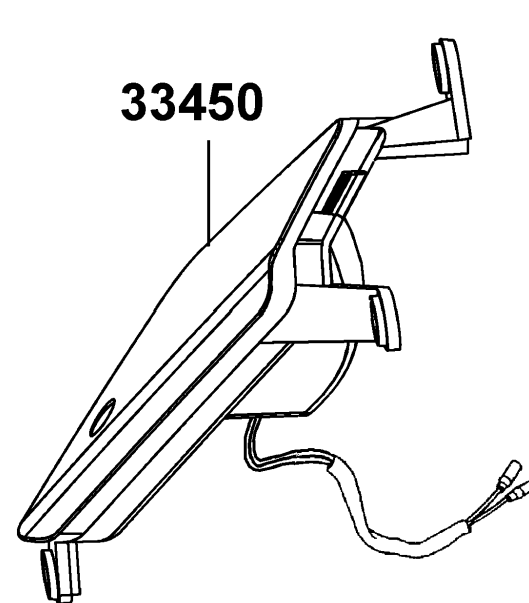
F17

Front Winker

93903-34220



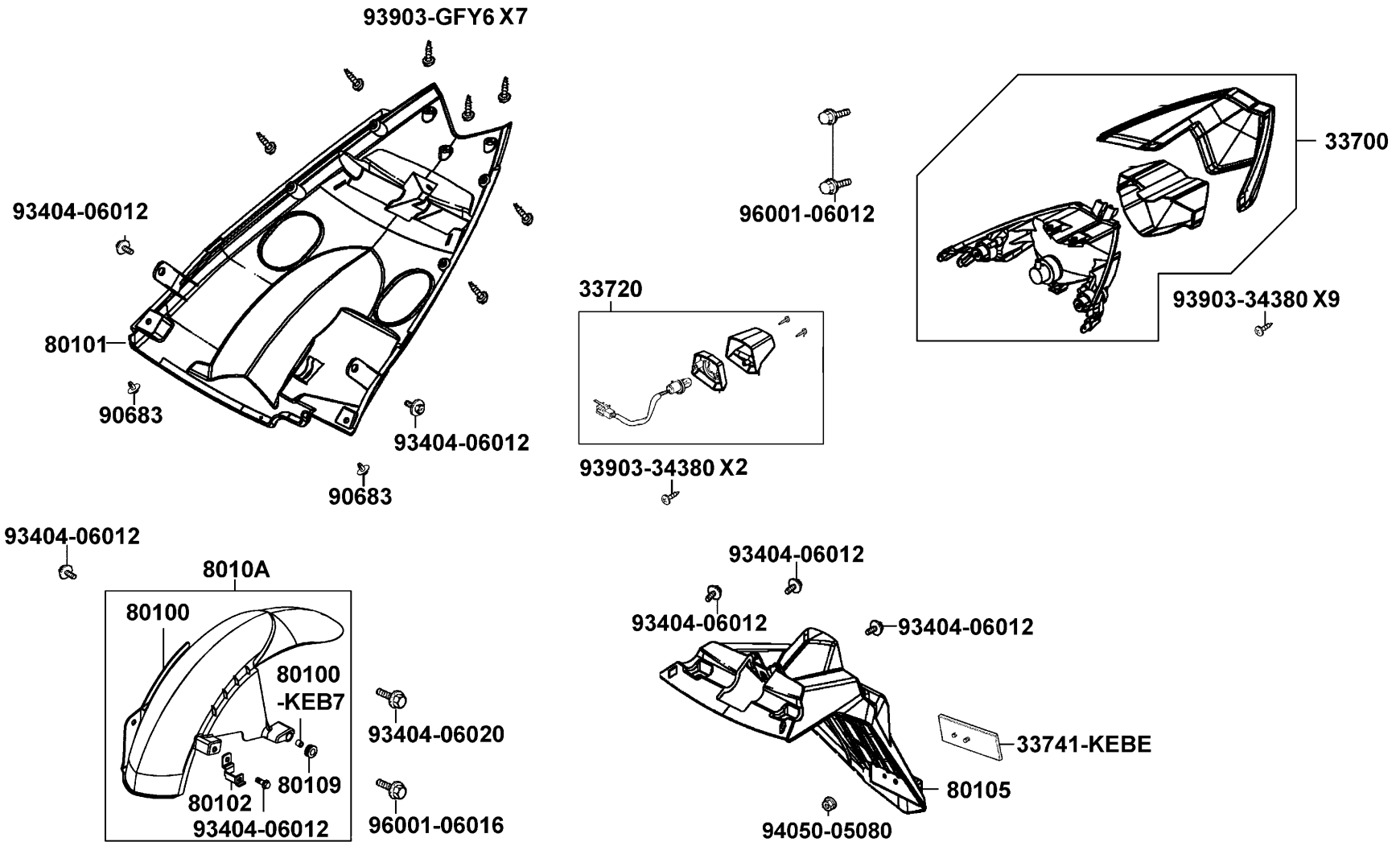
93903-34220



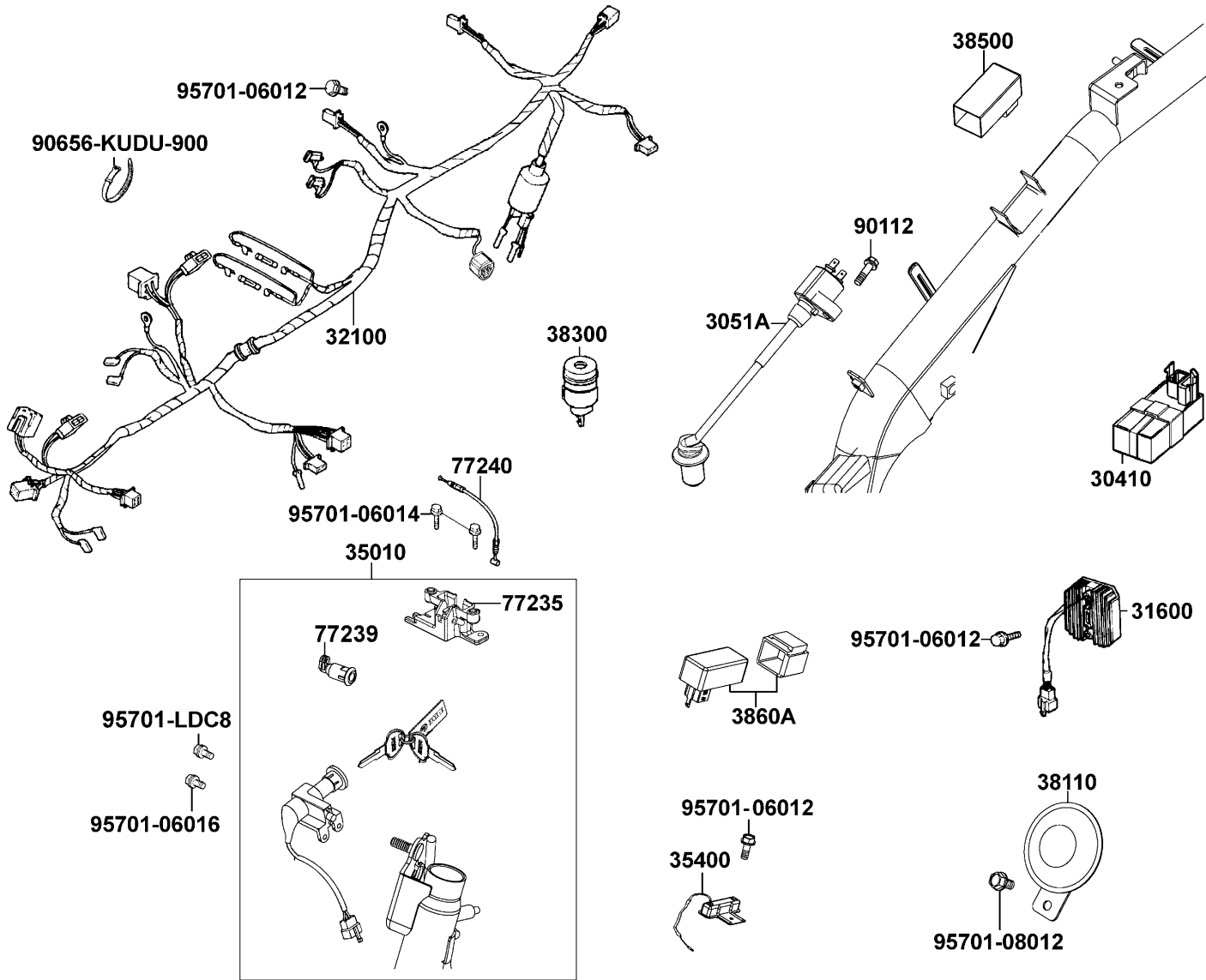
Sales mark	Ref no	Part no	Description	Reg description	Regd no	F17
	33400	33400-LEJ2-E10	WINKER ASSY RH FR	WINKER ASSY RH FR	1	
	33450	33450-LEJ2-E10	WINKER ASSY LH FR	WINKER ASSY LH FR	1	
	93903	93903-34220	SCREW TAPPING 4*10	SCREW TAPPING 4*10	6	

F18

Tail Light



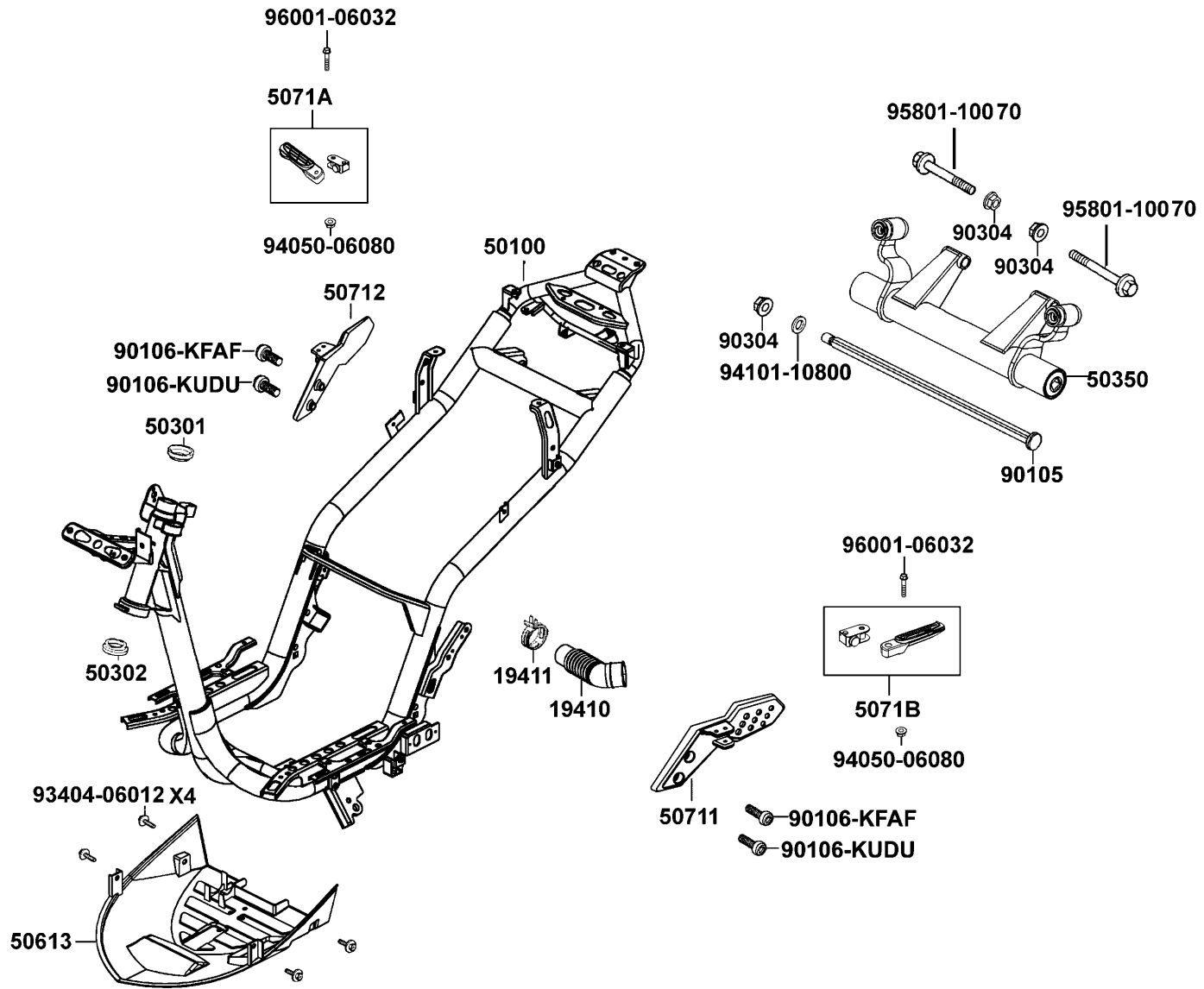
Sales mark	Ref no	Part no	Description	Reg description	Regd no	F18
	33700	33700-LEJ2-E10	LIGHT ASSY RR COMB	LIGHT ASSY RR COMB	1	
	33720	33720-LEJ2-E10	LIGHT ASSY LICENSE	LIGHT ASSY LICENSE	1	
	33741	33741-KEBE-900	REFLEX REFLECTOR	REFLEX REFLECTOR	1	
	80100-KEB7	80100-KEB7-900	COLLAR RUBBER	COLLAR RUBBER	1	
	80100-LEJ2	80100-LEJ2-E10	FENDER RR TIRE	FENDER RR TIRE	1	
	80101	80101-LEJ2-E10	FENDER RR INNER	FENDER RR INNER	1	
	80102	80102-LCD2-E00	STAY RR TIRE FENDER	STAY RR TIRE FENDER	1	
	80105	80105-LEJ2-E10	FENDER REAR	FENDER REAR	1	
	80109	80109-KEB7-900	RUBBER RR FENDER B	RUBBER RR FENDER B	1	
	8010A	8010A-LEJ2-E10	FENDER ASSY. RR TIRE	FENDER ASSY. RR TIRE	1	
	90683	90683-GAR1-0040	"CLIP , BODY COVER"	"CLIP , BODY COVER"	2	
	93404-06012	93404-06012-07	BOLT WASH 6*12	BOLT WASH 6*12	7	
	93404-06020	93404-06020-07	BOLT WASHER 6*20 (K)	BOLT WASHER 6*20 (K)	1	
	93903-34380	93903-34380	SCREW TAPPING 4*12	SCREW TAPPING 4*12	11	
	93903-GFY6	93903-GFY6-900	SCREW TAPPING 4*14	SCREW TAPPING 4*14	7	
	94050	94050-05080	NUT FLANGE 5MM	NUT FLANGE 5MM	1	
	96001-06012	96001-06012-08	BOLT FLANGE 6*12	BOLT FLANGE 6*12	2	
	96001-06016	96001-06016-08	BOLT FLANGE SH 6*16	BOLT FLANGE SH 6*16	1	



Sales mark	Ref no	Part no	Description	Reg description	Regd no	F19
	30410	30410-LEJ2-E10	UNIT COMP CDI	UNIT COMP CDI	1	
	3051A	3051A-LEJ2-E10	COIL ASSY IGN	COIL ASSY IGN	1	
	31600	31600-LEJ3-E10	"REG REC COMP,(DC)"	"REG REC COMP,(DC)"	1	
	32100	32100-LEJ2-E10	HARNESS WIRE	HARNESS WIRE	1	
	35010	35010-LEJ2-E10	KEY SET	KEY SET	1	
	35400	35400-LEJ2-E10	RESISTOR COMP	RESISTOR COMP	1	
	38110	38110-KGC4-B50	HORN COMP	HORN COMP	1	
	38300	38300-KECE-9000	RELAY ASSY WINKER	RELAY ASSY WINKER	1	
	38500	38500-KKDK-9000	RELAY ASSY START	RELAY ASSY START	1	
	3860A	3860A-LEJ2-E10	CONTROL ASS'Y LIGHTING	CONTROL ASS'Y LIGHTING	1	
	77235	77235-KGC4-E0B	SEAT CATCH	SEAT CATCH	1	
	77239	77239-GFY6-9010	KEY SEAT LOCK	KEY SEAT LOCK	1	
	77240	77240-LFC2-E10	CABLE,SEAT LOCK	CABLE,SEAT LOCK	1	
	90112	90112-KRDR-900	BOLT FLANGE 5*22	BOLT FLANGE 5*22	1	
	90656	90656-KUDU-900	BAND HARNESS WIRE	BAND HARNESS WIRE	1	
	95701-06012	95701-06012-08	BOLT FLANGE 6*12	BOLT FLANGE 6*12	3	
	95701-06014	95701-06014-08	BOLT FLANGE 6*14	BOLT FLANGE 6*14	2	
	95701-06016	95701-06016-08	BOLT FLANGE 6*16	BOLT FLANGE 6*16	1	
	95701-08012	95701-08012-08	BOLT FLANGE 8*12	BOLT FLANGE 8*12	1	
	95701-LDC8	95701-LDC8-E10	BOLT TORQUE 6x16	BOLT TORQUE 6x16	1	

F20

Frame Body



Sales mark	Ref no	Part no	Description	Reg description	Regd no	F20
19410		19410-LEJ2-E10	DUCT COOLING	DUCT COOLING	1	
19411		19411-KNBN-900	CLIP HOSE	CLIP HOSE	1	
50100		50100-LEJ2-E10	BODY COMP FRAME	BODY COMP FRAME	1	
50301		50301-KGN7-6710	RACE UP STRG BALL	RACE UP STRG BALL	1	
50302		50302-2H68-011	RACE STRG BOT BALL	RACE STRG BOT BALL	1	
50350		50350-LEJ2-E10	HANGER ASSY ENG.	HANGER ASSY ENG.	1	
50613		50613-LEJ2-E10	COVER UNDER	COVER UNDER	1	
50711		50711-LEJ2-E10	"STEP R,RR STEP"	"STEP R,RR STEP"	1	
50712		50712-LEJ2-E10	"STEP L,RR STEP"	"STEP L,RR STEP"	1	
5071A		5071A-LEJ2-E10	BAR STEP R ASSY	BAR STEP R ASSY	1	
5071B		5071B-LEJ2-E10	BAR STEP L ASSY	BAR STEP L ASSY	1	
90105		90105-LEJ2-E10	SQUARE BOLT	SQUARE BOLT	1	
90106-KFAF		90106-KFAF-900	BOLT SPECIAL	BOLT SPECIAL	2	
90106-KUDU		90106-KUDU-900	BOLT WASH 8*26	BOLT WASH 8*26	2	
90304		90304-GHE8-004	NUT U 10MM	NUT U 10MM	3	
93404-06012		93404-06012-07	BOLT WASH 6*12	BOLT WASH 6*12	4	
94050-06080		94050-06080	NUT FLANGE 6MM	NUT FLANGE 6MM	2	
94101-10800		94101-10800	WASHER PLAIN 10MM	WASHER PLAIN 10MM	1	
95801-10070		95801-10070-08	BOLT FLANGE 10*70	BOLT FLANGE 10*70	2	
96001-06032		96001-06032-08	BOLT FLANGE SH 6*32	BOLT FLANGE SH 6*32	4	

F21

Air Cleaner Two

95002



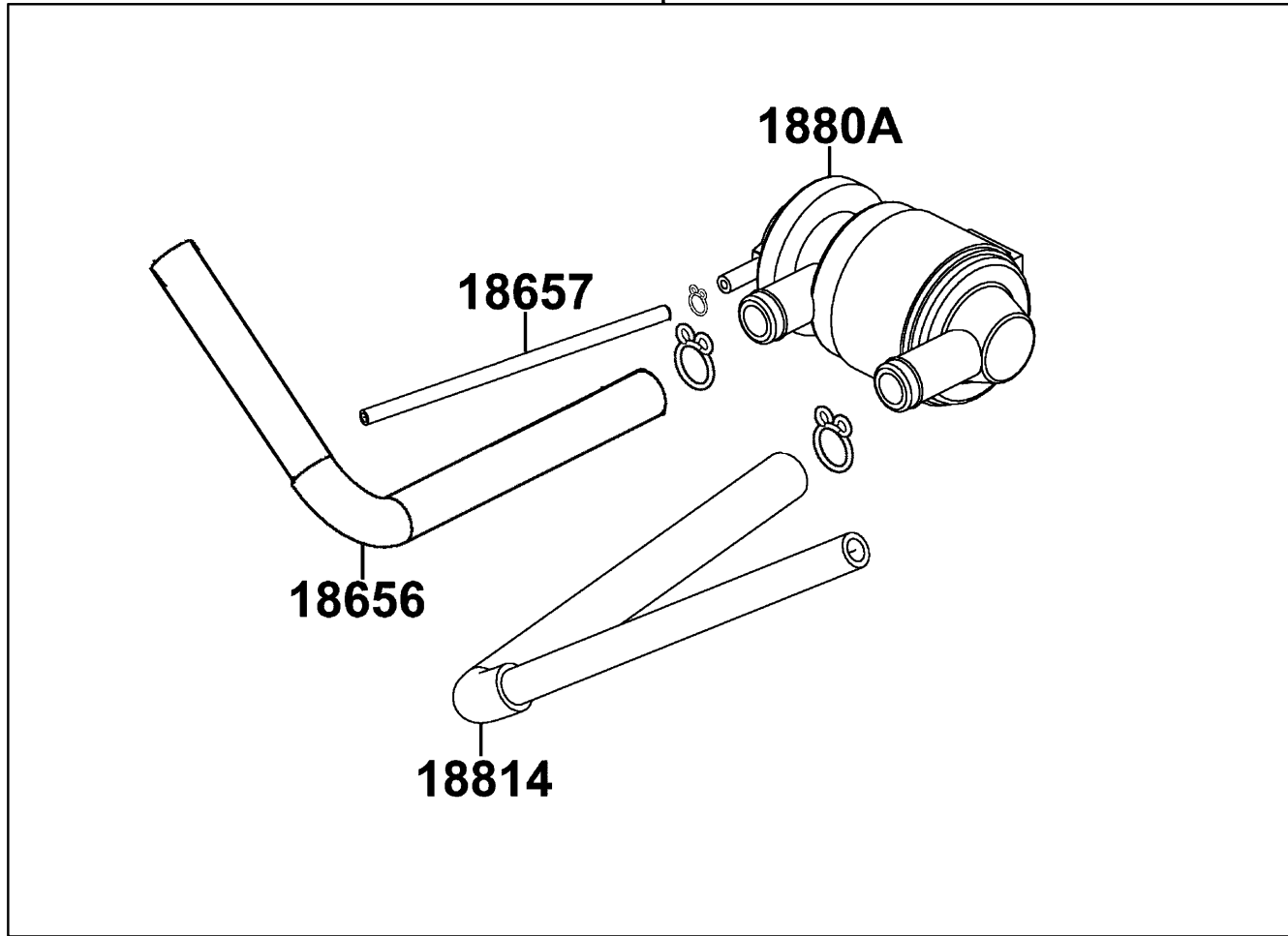
1880B

1880A

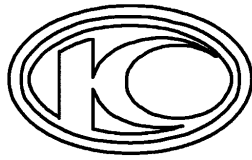
18657

18656

18814



Sales mark	Ref no	Part no	Description	Reg description	Regd no	F21
	18656	18656-LEJ2-E10	TUBE AICV-REED VALVE	TUBE AICV-REED VALVE	1	
	18657	18657-LEJ2-E10	TUBE ASSY INLET PIPE AICV	TUBE ASSY INLET PIPE AICV	1	
	1880A	1880A-LEJ2-E10	AI/CAICV ASSY	AI/CAICV ASSY	1	
	1880B	1880B-LEJ2-E10	AI/C-AICV SET	AI/C-AICV SET	1	
	18814	18814-LEJ2-E10	DUCTAIR-AICV	DUCTAIR-AICV	1	
	95002	95002-KKD6-E05	CLAMP D18 TUBE	CLAMP D18 TUBE	1	



86102



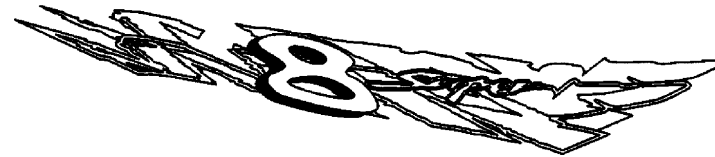
86231

CAUTIONS
Before starting the engine, the side stand shall be kicked up to secure safety.

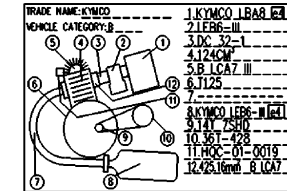
87541



86320



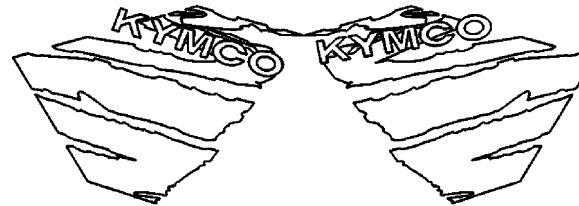
86221



87224



86310

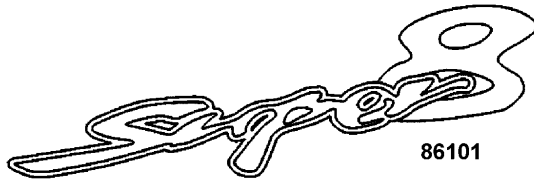


86330

86350



86212



86101

Be sure to wear a safety helmet when riding.
Do not exceed the speed specified by law when riding.
The ambient weather temperature is very high when riding. Be sure to park the motorcycle in a place not easily heated by people.
For riding safety and good performance, do not refuel the tank to exceed the maximum.
Be sure and use the tank's internal vent to vent fumes safely.
Be sure to perform the periodic maintenance and periodic inspection.
Periodic Inspection Items
Check Performance, tires, engine oil level, lights, horns, and instrument panel.
KIMWANG YANG MOTOR CO., LTD.

87560

CAUTIONS
Tire Size : Front 100/80-14 Rear 120/80-14
(One Rider) : Front 1.5 kgf/cm² Rear 1.75kgf/cm²
(Two Rider) : Front 2.0 kgf/cm² Rear 2.25kgf/cm²
Load Capacity : Shield 1.5kg Clip assy center 3kg
(As per KYMCO standard specification)
(Note: The tire pressure must not overpass 2.3 kgf/cm²)
Check the motor oil level with the dipstick after refilling motor oil.
CM9-300
L203-1000

87505

CAUTIONS
Never put any article between the rear side cover and the engine to avoid interference of riding.
CM9-300

87542

MAX LOAD : 5Kg

87556

Sales mark	Ref no	Part no	Description	Reg description	Regd no	F22
**	86101	86101-LEJ2-E00	STRIPE FR COVER	STRIPE FR COVER	1	
**	86102	86102-LEJ2-E00	STRIPE K-LOGO 22MM	STRIPE K-LOGO 22MM	1	
	86212	86212-LEJ2-E10	EMB B BODY COVER	EMB B BODY COVER	1	
**	86221	86221-LEJ2-E00	STRIPE R BODY COVER	STRIPE R BODY COVER	1	
**	86231	86231-LEJ2-E00	STRIPE L BODY COVER	STRIPE L BODY COVER	1	
**	86310	86310-LEJ2-E00	STRIPE R SIDE MOLD	STRIPE R SIDE MOLD	1	
**	86320	86320-LEJ2-E00	STRIPE L SIDE MOLD	STRIPE L SIDE MOLD	1	
**	86330	86330-LEJ2-E00	STRIPE B R/L SIDE MOLD	STRIPE B R/L SIDE MOLD	1	
**	86350	86350-LEJ2-E00	STRIPE B L SIDE MOLD	STRIPE B L SIDE MOLD	1	
	87224	87224-LEJ2-E80	CAUTION ANTI TAMPERING	CAUTION ANTI TAMPERING	1	
	87505	87505-LEJ2-E00	LABEL TIRE	LABEL TIRE	1	
**	87541	87541-GAR1-E01	MARK SIDE STAND	MARK SIDE STAND	1	
	87542	87542-GR1-E000	MARK MAINT CAUTION	MARK MAINT CAUTION	1	
**	87560	87560-GFY6-E01	MARK DRIVE CAUTION	MARK DRIVE CAUTION	1	

PART NO. INDEX

PART NO.	VERSION	PAGE	PART NO.	VERSION	PAGE	PART NO.	VERSION	PAGE	
11000			12200-LBD6-405	0	E02	1453A-GFY6-W10	0	E03	
			12209-GDB4-6820-M1	0	E02	14550-LDC8-C10	0	E03	
			12211-KGBG-9000-M1	2	E02	14555-KKJ9-C10	0	E03	
	11100-LBD6-E00	2	E01	12251-KGBG-900	0	E02	14610-KGBG-9000	0	E03
	11102-1G87-0040	1	E01	12310-KHC5-900	0	E02	14711-KGBG-9000	0	E02
	11192-KGBG-C10	0	E01	1231A-KHC5-900	3	E02	14721-KGBG-9000	0	E02
	11200-LCD2-E00	9	E01	12361-GFY6-9010	1	E04	14751-GEN5-9000	0	E02
	11203-GGC7-W10	2	E01	12391-KEE1-900	0	E02	14771-GDB4-6800	0	E02
	11203-GGC7-W10	2	F16				14775-MEA6-0010	1	E02
	11208-LEJ2-E10	0	E07	13000			14781-MFA6-0010	1	E02
	11211-LCD2-E00	1	F13				15000		
	11230-KFBF-900	0	F16	13000-KGBG-900	6	E03			
	11330-LBD6-E00	3	E04	13011-KGBG-9010	1	E03			
	11340-LEJ2-E10	0	E01	13101-LCB9-B20	2	E03	15100-KGBG-9000	3	E06
	11381-LBC9-900	2	E01	13111-KGBG-900	1	E03	15133-LDC8-C10	0	E06
	11382-KHB4-900	2	F03	13115-0A01-001	1	E03	15421-1G07-W10	0	E04
	11382-LCD2-E00	1	E01				15426-GAE1-921	1	E04
11385-GFY6-9010	1	E07	14000			15651-GFY6-9010	1	E04	
11394-KGBG-980	0	E04				1565A-GFY6-900	0	E04	
11395-LCD2-E00	2	E01	14100-KGBG-9000	4	E02				
12000			14401-KGBG-9000	0	E03	16000			
			14431-KGBG-W10	0	E02				
			14450-KGBG-W10	0	E02	16100-LEJ2-E10	4	E09	
	12100-KGBG-900	3	E03	14452-KGBG-W10	0	E02	1621A-KGBG-900	2	E02
	12191-KGBG-980	0	E03	14510-KGBG-9000	0	E03	1691A-LEJ2-E10	0	F10
	12200-KGBG-9100	7	E02	14531-GLRO-W10	0	E03	16950-LCA3-B50	0	F10

PART NO. INDEX

PART NO.	VERSION	PAGE	PART NO.	VERSION	PAGE	PART NO.	VERSION	PAGE	
17000			18294-KEBE-900	0	F14	21395-LCD2-E00	3	E08	
			18306-LEJ2-E10	3	F14	22000			
			1830A-LEJ2-E10	0	F14				
			18318-LEJ2-E10	0	F14				
	1711A-LEJ2-E10	0	E02	18325-LCD2-E00	3	F14	22100-LDC8-E10	0	E05
	17200-LEJ2-E10	3	F13	18646-GFY6-C10	1	E02	22102-LDC8-E10	0	E05
	17211-LAB4-900	1	F13	18647-GFY6-941	0	E02	22103-KEB7-900	0	E05
	17215-LAB4-900	1	F13	18656-LEJ2-E10	0	F21	22105-LEJ2-E10	0	E05
	17215-LCD2-E00	2	F13	18657-LEJ2-E10	0	F21	22110-KFA1-2200	0	E05
	17217-LCD2-E00	3	F13	1880A-LEJ2-E10	0	F21	22121-LBD6-E00	2	E05
	1723A-LCD2-E00	3	F13	1880B-LEJ2-E10	0	F21	22131-GHAH-7810	0	E05
	1723B-LCD2-E00	3	F13	18814-LEJ2-E10	0	F21	22132-GLW0-0010	2	E05
	17254-KACA-P00	0	F13	19000			22300-LDC8-E10	1	E05
	17255-KGBG-900	1	F13				22350-GKAK-930	1	E05
	17256-KGBG-900	0	E02				22401-LDC8-E10	0	E05
	17370-4K19-670	0	F13				22535-GKAK-930	1	E05
	17500-LEJ2-E10	5	F10		19410-LEJ2-E10	0	F20	22804-1H48-001	0
17620-LBA8-C000	0	F10	19411-KNBN-900	1	F20	23000			
17683-LEJ2-E10	0	F10	19510-LDC5-900	1	E07				
17684-LEJ2-E10	0	F10	1961A-KGBG-E01	0	E07				
17910-LCD2-E00	2	F03	19625-KEE1-9000	0	E07				
18000			1962A-KEE1-900	1	E07		23010-LDC8-E10	0	E05
			1963A-LDC8-E10	1	E07		2301A-LDC8-E10	1	E05
							23100-KEB7-900	0	E05
18291-GGA7-001	1	F14	21000			23200-GAR1-220	1	E05	
18291-KEBE-900	0	F14				23210-GAR1-220	0	E05	
18292-KEBE-900	0	F14		21200-LCD2-E00	4	E08	23220-LDC8-E10	0	E05

PART NO. INDEX

PART NO.	VERSION	PAGE	PART NO.	VERSION	PAGE	PART NO.	VERSION	PAGE
23225-GAR1-7510	0	E05						
23233-KEE1-900	0	E05	31000			34000		
23237-GAR1-220	0	E05						
23238-GGS7-0110	0	E05	31100-LEJ2-E10	2	E07	34901-KFA6-900	0	F01
23411-LCD2-E00	1	E08	31110-LBD6-E0A	1	E07	34903-KPCP-900	0	F01
23420-LCD2-E00	3	E08	31120-LEJ2-E10	2	E07			
23431-LEJ2-E10	0	E08	31200-LEJ2-E10	0	E06	35000		
23432-LCD2-E00	3	E08	31209-KEE1-9000	2	E06			
28000			31500-GFY6-9410	3	F11	35010-LEJ2-E10	0	F19
			31600-LEJ3-E10	2	F19	35151-KGBG-910	1	F03
			32000			35152-KGBG-900	2	F03
28211-LDC8-W10	0	E05				3515A-KGBG-E00	3	F03
2823A-LBD6-E00	1	E01				35201-LGB5-E10	1	F03
28250-LEJ2-E10	1	E01	32100-LEJ2-E10	3	F19	35202-KGBG-900	3	F03
28253-GBN2-6020	0	E01	32101-GFY6-901	1	F04	3520A-LEJ2-E10	0	F03
28255-GFS6-001	0	E01				35340-KKJ9-0100	4	F03
28281-GBN2-6030	1	E01	33000			35340-KNBN-901	0	F04
28300-KNBN-901	3	F15				35400-LEJ2-E10	0	F19
30000			33100-LEJ2-E10	0	F01			
			33102-LEJ2-E10	0	F01	37000		
			33400-LEJ2-E10	0	F17			
30410-LEJ2-E10	2	F19	33450-LEJ2-E10	0	F17	37200-LEJ2-E10	0	F02
3051A-LEJ2-E10	0	F19	33700-LEJ2-E10	0	F18	37211-LEJ2-E0B	0	F02
			33720-LEJ2-E10	0	F18	37224-LEJ2-E10	2	F02
			33730-LDC8-M30	0	F06	37802-GGA7-7010	0	F10
			33741-KEBE-900	0	F18	3780A-LEJ2-E10	0	F10

PART NO. INDEX

PART NO.	VERSION	PAGE	PART NO.	VERSION	PAGE	PART NO.	VERSION	PAGE
38000			44000			50000		
38110-KGC4-B50	1	F19	44301-LEJ2-E10	1	F07	50100-LEJ2-E10	3	F20
38300-KECE-9000	2	F19	44311-0F46-0010	1	F07	50301-KGN7-6710	2	F20
38500-KKDK-9000	5	F19	44600-LEJ3-E10	0	F07	50302-2H68-011	2	F20
3860A-LEJ2-E10	1	F19	44601-LEJ3-E10	0	F07	50306-1F96-0010	0	F06
			44620-KFLF-9300	1	F07	50326-LEJ2-E10	0	F12
42000			44680-4L10-0010	1	F07	50350-LEJ2-E10	1	F20
42311-LEJ2-E10	0	F16	44710-LEJ3-E10	0	F07	50500-LEJ2-E10	1	F15
42312-KHB4-900	0	F16	44800-KFA6-900	0	F07	50505-LEJ2-E10	0	F15
42600-LEJ3-E10	0	F08	44830-LCD3-E00	4	F02	50530-LEJ2-E10	0	F15
42601-LEJ2-E10	0	F08	45000			50531-KEB7-E00	1	F15
42710-LEJ3-E10	0	F08				50535-KEB7-W10	3	F15
			45105-LEJ2-305	0	F04	50550-KFA6-E00	0	F15
43000			45121-LEJ2-E10	0	F07	50613-LEJ2-E10	0	F20
4312A-KUDU-900	4	F08	45126-LDC8-E10	2	F04	50711-LEJ2-E10	2	F20
4314A-LCD3-E00	2	F08	45156-KHC5-E10	0	F06	50712-LEJ2-E10	3	F20
43151-KGM7-9600	1	F08	45156-LCB9-B20	0	F06	5071A-LEJ2-E10	0	F20
43410-KFA6-900	1	F08	45200-LEJ2-E1A	0	F04	5071B-LEJ2-E10	0	F20
43450-LEJ2-E10	0	F03	45500-LDC8-E10	1	F04	51000		
43472-KHG8-001	1	F08	4550B-LEJ2-E10	0	F04			
			45517-GFY6-9000	5	F03	51400-LEJ2-E10	0	F06
						51500-LEJ2-E10	0	F06

PART NO. INDEX

PART NO.	VERSION	PAGE	PART NO.	VERSION	PAGE	PART NO.	VERSION	PAGE
52000			61000			64316-LCB9-C10	0	F05
52000-LEJ2-E10	3	F16	61100-LEJ2-E10	0	F06	64316-LCB9-C10	0	F12
52400-LEJ2-E10	2	F16	61110-LDC8-E90	0	F06	64323-LEJ2-E10	0	F05
53000			61112-LDC8-E90	0	F06	64400-LEJ2-E10	0	F05
			6111A-LDC8-E90	0	F06	77000		
53100-LEJ2-E10	3	F03	64000			77200-LEJ2-E10	0	F09
53102-KEC8-900	0	F03				77232-KCAC-9010	2	F12
53105-LBB5-E00	2	F03	64206-MLJ0-001	1	F06	77235-KGC4-E0B	2	F19
53125-GEN5-901	1	F03	64210-LEJ2-E10	0	F03	77239-GFY6-9010	0	F19
53140-LEJ2-E10	0	F03	64214-LEJ2-E10	0	F03	77240-LFC2-E10	0	F19
53166-LEJ2-E10	0	F03	64215-LEJ2-E10	0	F03	80000		
53172-KTCT-900	0	F03	64224-LEJ2-E10	0	F03	80100-KEB7-900	0	F18
53175-LDC8-E10	1	F04	64225-LEJ2-E10	0	F03	80100-LEJ2-E10	0	F18
53178-LCD1-E00	3	F03	64301-LEJ2-E10	1	F05	80101-LEJ2-E10	0	F18
5317B-LCD1-E00	2	F03	64302-LEJ2-E10	0	F05	80102-LCD2-E00	1	F18
53200-LEJ2-E10	0	F06	64303-LEJ2-E10	0	F05	80105-LEJ2-E10	0	F18
53205-LEJ2-E10	0	F03	64305-LEJ2-E10	0	F05	80109-KEB7-900	0	F18
53206-LEJ2-E10	0	F03	64306-LEJ2-E10	0	F05	8010A-LEJ2-E10	0	F18
53211-GFY6-9400	1	F06	64307-LEJ2-E10	0	F05	80151-LEJ2-E10	0	F12
53212-2L50-011	1	F06	64308-LEJ2-E10	0	F05			
53214-2L50-001	2	F06	64309-LEJ2-E10	0	F05			
53215-2L50-001	1	F06	64310-LEJ2-E10	0	F05			
			64313-LEJ2-E10	0	F05			

PART NO. INDEX

PART NO.	VERSION	PAGE	PART NO.	VERSION	PAGE	PART NO.	VERSION	PAGE
81000			86000			88120-LEB5-C10	1	F03
81131-LEJ2-E10	0	F05	86101-LEJ2-E00	0	F22	89000		
81132-LCB9-C10	0	F05	86102-LEJ2-E00	0	F22	89010-KGBG-9000	0	F09
81132-LEJ2-E10	0	F05	86102-LEJ2-E00	2	F22	89020-KKC4-900	1	F09
81133-KGBG-9000	0	F05	86212-LEJ2-E10	0	F22	90000		
81134-KGBG-9000	2	F05	86221-LEJ2-E00	0	F22	9000A-KTDT-900	1	E01
81200-LEJ2-E10	0	F12	86231-LEJ2-E00	0	F22	90012-3C33-0010	1	E02
81200-LEJ2-E10	2	F12	86310-LEJ2-E00	0	F22	90031-KGBG-9010	0	E01
81200-LEJ3-E10	0	F12	86320-LEJ2-E00	0	F22	90032-KGBG-9010	0	E01
81250-LEJ3-E10	0	F12	86330-LEJ2-E00	0	F22	90033-041-0210	1	E02
81251-LEJ3-E10	0	F12	86350-LEJ2-E00	0	F22	90033-GFY6-941	0	E02
83000			87000			90102-GLE0-001	0	F15
83500-LEJ2-E10	0	F12	87224-LEJ2-E80	0	F22	90105-KCR3-001	1	F07
83510-LEJ2-E10	0	F12	87505-LEJ2-E00	0	F22	90105-LEJ2-E10	0	F20
83520-LEJ2-E10	0	F12	87541-GAR1-E01	1	F22	90106-GEN5-901	1	F03
83550-KEC8-900	2	F03	87542-GR1-E000	2	F22	90106-KFAF-900	2	F20
83551-KEC8-C10	0	F03	87556-LEJ2-E00	2	F22	90106-KFC2-900	0	F03
83600-LEJ2-E10	0	F12	87560-GFY6-E01	3	F22	90106-KUDU-900	1	F20
83610-LEJ2-E10	0	F12	88000			90108-KFA6-E00	1	F15
83620-LEJ2-E10	0	F12	88110-LEB5-C10	1	F03	90110-GLW0-001	0	F05
83750-LEJ2-E10	0	F12				90110-KEB7-900	1	F06
						90111-1G87-00A	1	F12

PART NO. INDEX

PART NO.	VERSION	PAGE	PART NO.	VERSION	PAGE	PART NO.	VERSION	PAGE
90112-KRDR-900	0	F19	90454-GBB2-001	0	E05	91204-KBN-9010-M1	1	E01
90131-GLWO-9110	0	F04	90474-3C33-001	1	E01	91211-KEE1-900	0	E05
90145-961-011	1	F04	90501-KNBN-901	0	F08	91252-0L30-0000-M2	4	F07
90202-1G87-001	0	E05	9052A-GFY6-9500	1	E01	91255-LDC8-E10	4	E08
90202-GFF6-011	0	E02	90545-3L00-001	2	F04	91258-4L10-0000-M2	7	F07
90206-0A01-0010	1	E02	90656-KUDU-900	0	F19	91259-KFBF-9000	0	F16
90301-4C73-0040	4	F15	90668-LEJ2-E10	0	F06	91301-GLRO-W10	0	E03
90301-KGBG-900	1	F14	90683-GAR1-0040	4	F05	91301-KEE1-900	0	E05
90302-GFY6-901	1	F03	90683-GAR1-0040	4	F18	91302-0A01-0210	0	E04
90302-GFY6-901	1	F06	90701-GFF6-001	1	E02	91302-KEE1-900	0	E05
90302-SDA4-004	1	F05	90701-GFF6-001	1	E03	91305-0H28-1590	0	E06
90302-SDA4-004	1	F12	90701-HDC4-001	1	E06	91307-0E35-W10	0	E04
90304-4H38-001	0	E02	90741-0E35-001	1	E03			
90304-GHE8-004	4	F03				92000		
90304-GHE8-004	4	F20	91000					
90305-GHK8-001	1	F03				92101-05012-0H	0	E07
90305-GHK8-001	1	F06	91001-GA7-7010-M1	1	E05	92900-06050-0B	1	E02
90305-GHK8-001	1	F12	91003-KDS4-0040	1	E08			
90305-KNBN-9030-M2	0	F08	91004-KBN-9210-M1	0	E01	93000		
90306-KLF0-004	4	F07	91009-GLE0-0040	1	E08			
90381-GEZ5-001	1	F12	91014-LLJ3-E00	1	F06	93404-06012-07	0	F05
90412-3K29-001	0	E01	91015-LLJ3-E00	1	F06	93404-06012-07	0	F18
90426-KNBN-901	0	E05	91051-KBF-9000	1	F16	93404-06012-07	0	F20
90442-0D44-001	0	E05	91103-GAR1-004	0	E05	93404-06016-07	0	F12
90442-GFF6-011	0	E02	91201-GFY6-9030	0	E01	93404-06020-07	0	F05
90451-GBN2-601	0	E01	91201-KGBG-9000-M1	0	E04	93404-06020-07	0	F18

PART NO. INDEX

PART NO.	VERSION	PAGE	PART NO.	VERSION	PAGE	PART NO.	VERSION	PAGE
93404-06022-07	0	F06	94050-10080	0	E07	95701-08012-08	0	E01
93903-25480	0	F13	94101-10800	0	F20	95701-08012-08	0	F19
93903-34220	0	F01	94301-08140	0	E01	95701-08028-08	0	F12
93903-34220	0	F17	94301-08140	0	E04	95701-08040-08	3	F12
93903-34280	0	F03	94301-10160	0	E08	95701-LDC8-E10	0	F19
93903-34380	0	F03	94510-20000	0	E08	95801-08035-08	0	F16
93903-34380	0	F05	94511-14000	0	E01	95801-08040-08	0	F06
93903-34380	0	F12	94520-24000	1	E05	95801-08075-07	0	F14
93903-34380	0	F18				95801-10035-08	0	F16
93903-35320	0	F01	95000			95801-10070-08	0	F20
93903-35320	0	F02				95801-LEJ2-E10	0	F14
93903-GFY6-900	2	F05	95002-KKD6-E05	0	F21			
93903-GFY6-900	2	F12	95003-23036-60	0	F13	96000		
93903-GFY6-900	2	F18	95012-LEJ2-E10	0	F11			
93904-35380	0	E07	95701-06012-08	0	F06	96001-06012-08	0	E01
			95701-06012-08	0	F10	96001-06012-08	0	E07
94000			95701-06012-08	0	F19	96001-06012-08	0	F18
			95701-06014-08	0	F19	96001-06016-08	0	E07
94001-12280-0S	0	E05	95701-06016-08	0	F19	96001-06016-08	0	F18
94050-05080	0	F06	95701-06020-08	0	F03	96001-06018-08	0	E03
94050-05080	0	F18	95701-06022-07	0	F15	96001-06020-08	0	E06
94050-06080	0	E02	95701-06025-07	0	F14	96001-06022-08	0	E07
94050-06080	0	E06	95701-06025-08	0	E02	96001-06025-08	0	E01
94050-06080	0	F09	95701-06032-08	0	F08	96001-06025-08	0	E06
94050-06080	0	F20	95701-06035-08	0	F13	96001-06025-08	0	E07
94050-10080	0	E05	95701-06045-08	0	F13	96001-06032-08	0	F20

PART NO. INDEX

PART NO.	VERSION	PAGE	PART NO.	VERSION	PAGE	PART NO.	VERSION	PAGE
96001-06035-08	0	E01						
96001-06045-08	0	E01						
96001-06085-06	0	E02						
96001-06085-06	0	E04						
96001-06100-08	0	E04						
96001-GFY6-900	0	F13						
96100-60020-00	0	E08						
96100-62020-00	0	E01						
96120-63010-10	0	F07						
96120-63030-10	0	E01						
98000								
98056-5771R-00	0	E02						
98200-10700	0	F11						